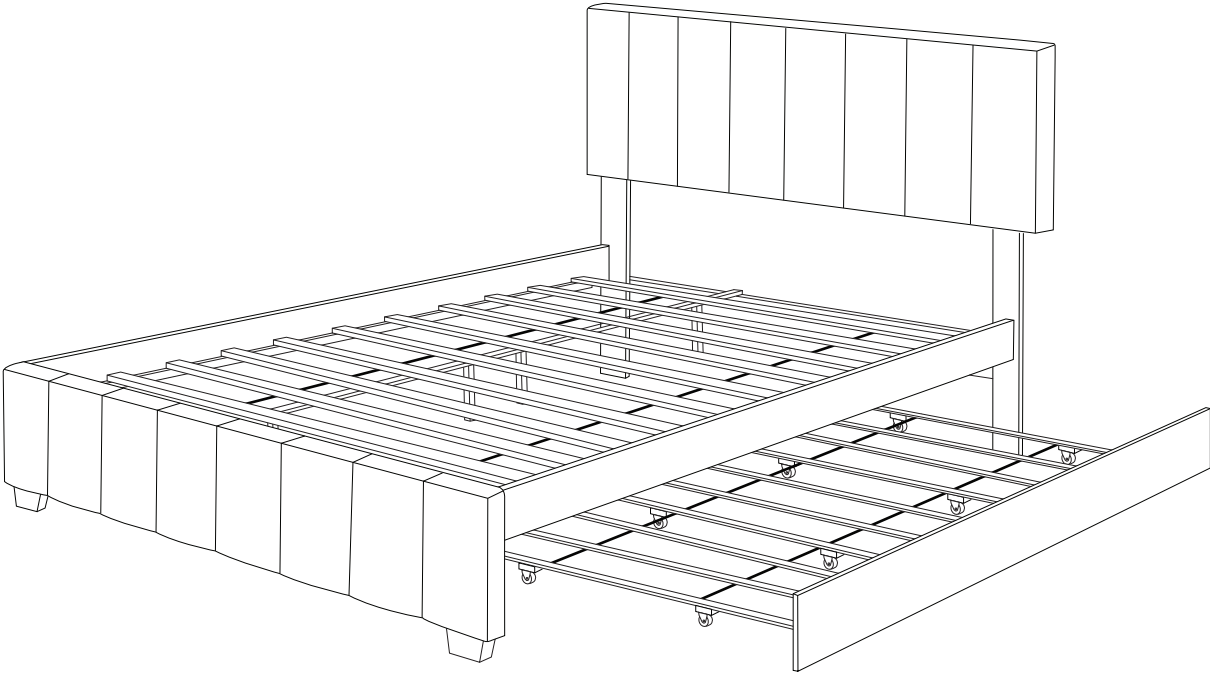
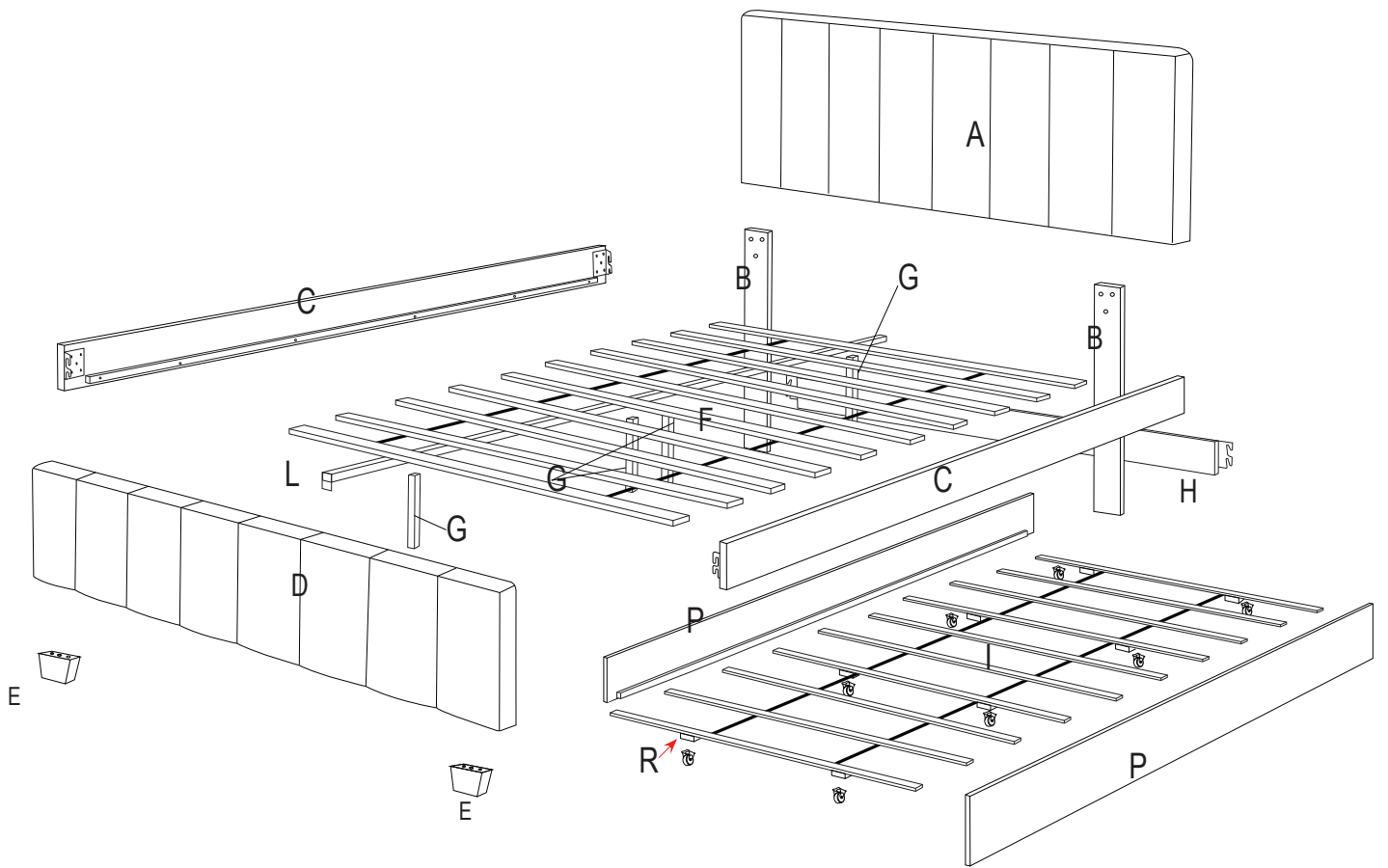


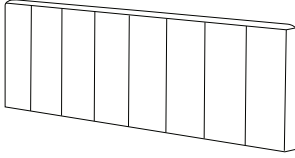
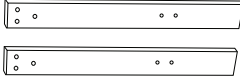
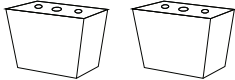
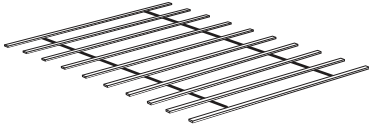
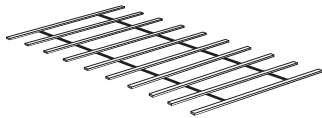
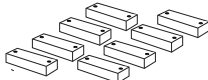
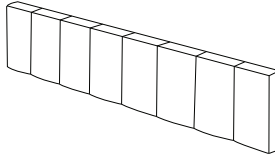
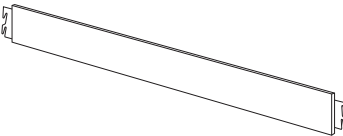
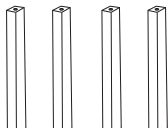
ASSEMBLY INSTRUCTION

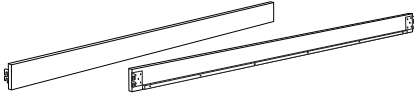
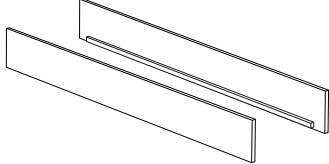
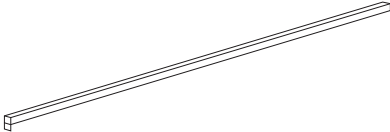
(FULL)



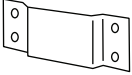
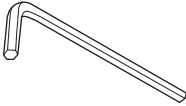
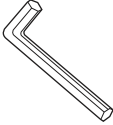
Detail View -



NO	PART LIST (IN CARTON 1 OF 2)	QTY
A	Headboard 	1 pc
B	Headboard Leg 	2 pcs
E	Bed Leg 	2 pcs
F	Bed Slat (Full) (1 set = 10pcs) 	1 set
I	Trundle Bed Slat (Twin) (1 set = 10pcs) 	1 set
R	Trundle Slat Cube 	8 pcs
D	Footboard 	1 pc
H	Headboard Support Bar 	1 pc
G	Center Support Leg 	4 pcs

NO	PART LIST (IN CARTON 2 OF 2)	QTY
C	Side Rail 	2 pcs
P	Trundle Long Panel 	2 pcs
L	Center Support Rail 	1 pc

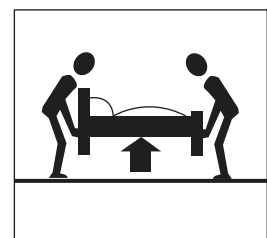
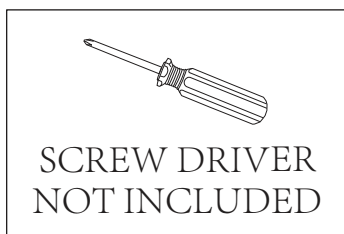
NO	HARDWARE LIST (IN CARTON 1 OF 2)	QTY
1	JCBB M8 x 20mm 	12 pcs
2	JCBC M6 x 70mm 	2 pcs
3	JCBC M6 x 60mm 	5 pcs
4	JCBC M6 x 40mm 	6 pcs
5	Wheel 	8 pcs
6	Flat Washer M6 	7 pcs
7	Dowel M8 	4 pcs
8	CSK M4 x 32mm 	16 pcs
9	CSK M4 x 30mm 	40 pcs
10	CSK M4 x 20mm 	6 pcs
11	CSK M3.5 x 16mm 	32 pcs
12	Stopper 	2 pcs
13	Barrel nut (M6) 	4 pcs

NO	HARDWARE LIST (IN CARTON 1 OF 2)	QTY
14	U-Bracket 	1 pc
15	Allen Key M4 	1 pc
16	Allen Key M5 	1 pc

Read this instruction carefully. Remove all wrapping material, staples and straps from the carton. See hardware and furniture part list for guidance. Be sure you have all wooden furniture parts on a clean and flat surface, such as carpet or rug, to prevent from being scratched.

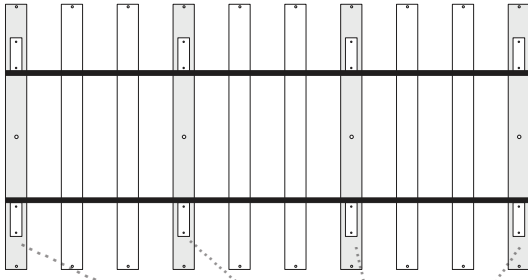
CAUTION :

1. Do not Full Tighten the nut or screw until all ready to assemble.
2. Do not Over Tighten the nut or screw to avoid causing damages to the thread.
3. Keep all hardware part out reach of children.

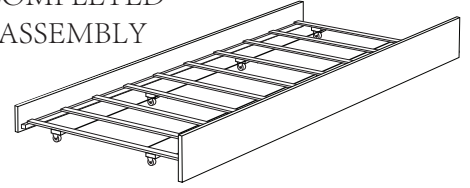


STEP 1 Trundle Bed x 1 pc

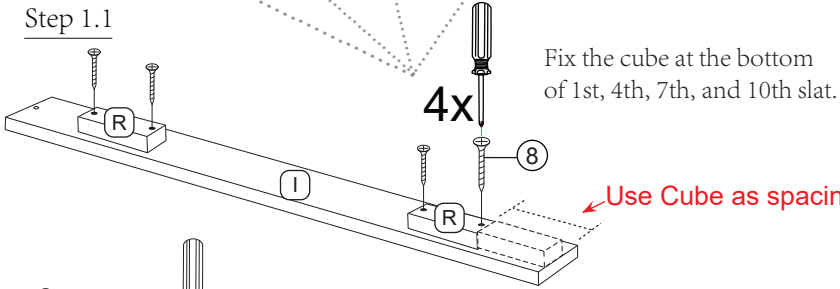
11	9	5	8
32 pcs	20 pcs	8 pcs	16 pcs



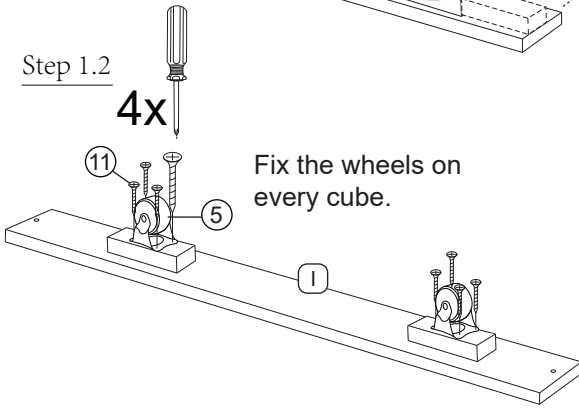
COMPLETED ASSEMBLY



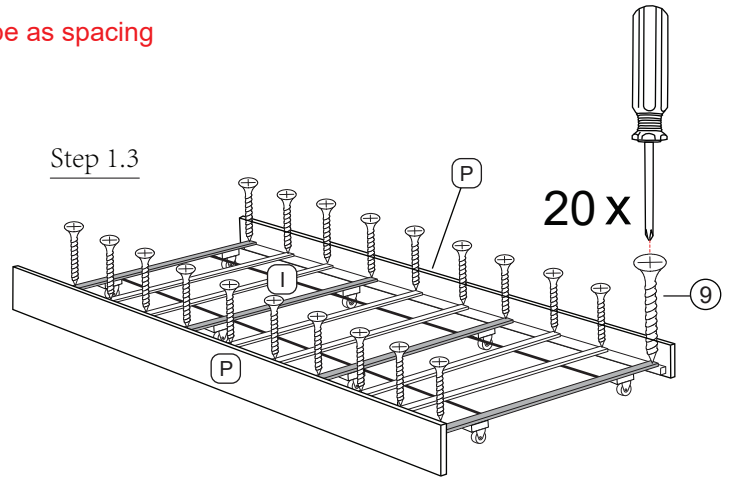
Step 1.1



Step 1.2



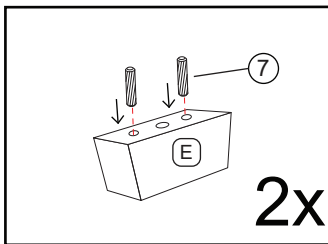
Step 1.3



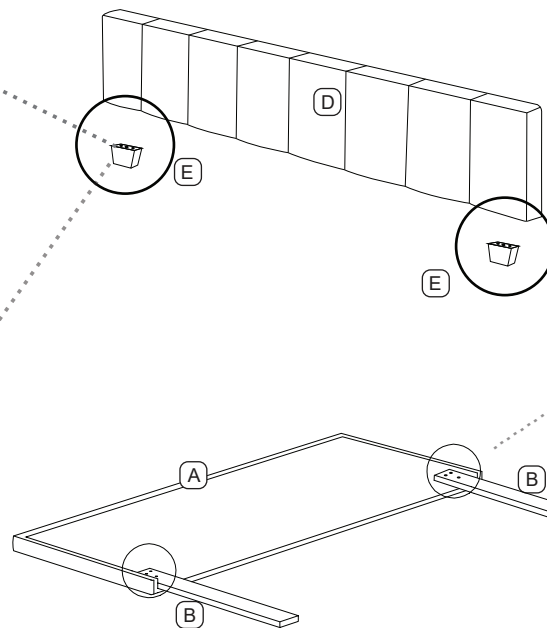
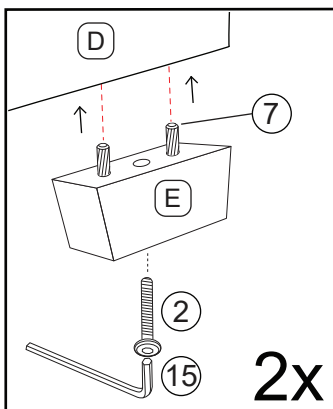
STEP 2

2	4	6	7
2 pcs	6 pcs	6 pcs	4 pcs

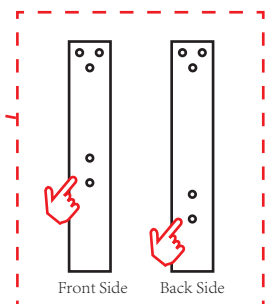
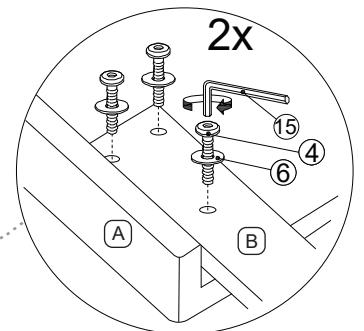
STEP 2.1



STEP 2.2



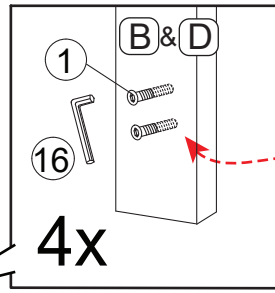
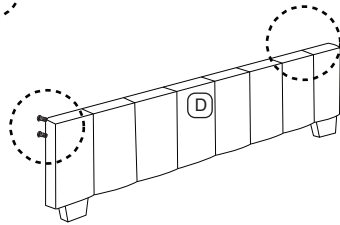
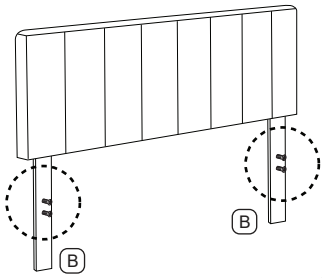
STEP 2.3



Note: Make sure the position are facing the same direction

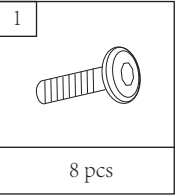
STEP 3

STEP 3.1

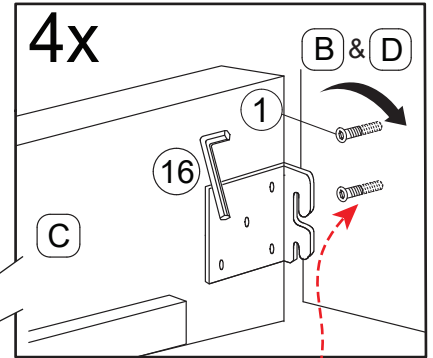
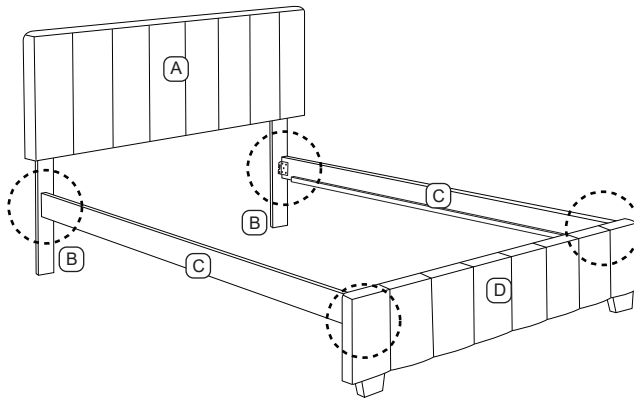


4x

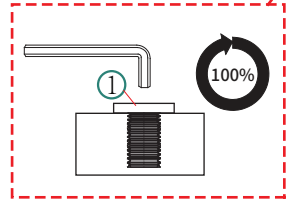
Do not fully tighten screws before completing step 3.2



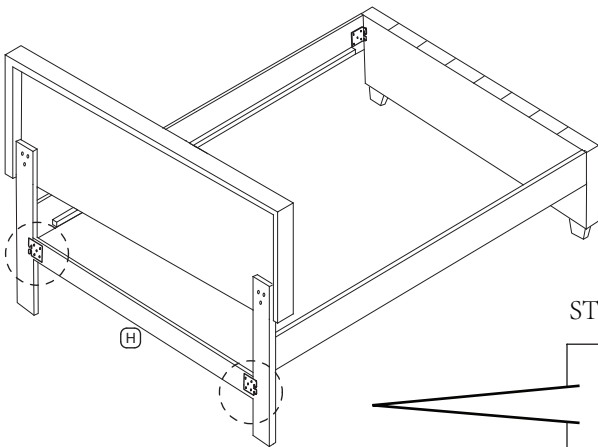
STEP 3.2



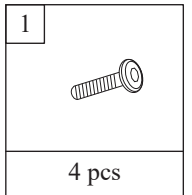
4x



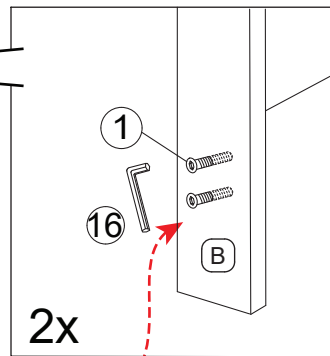
STEP 4



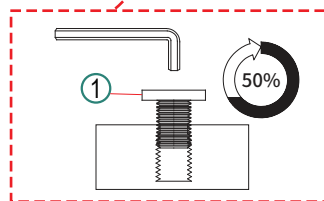
Do not fully tighten screws before completing step 4.2



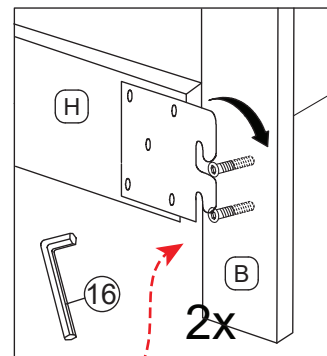
STEP 4.1



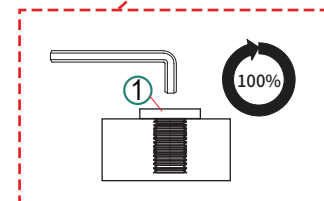
2x



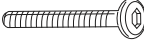


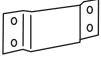

STEP 4.2

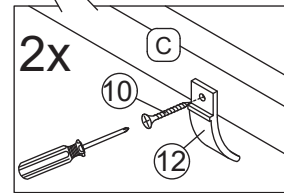
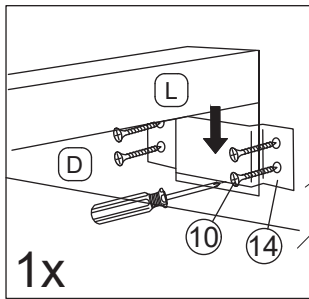
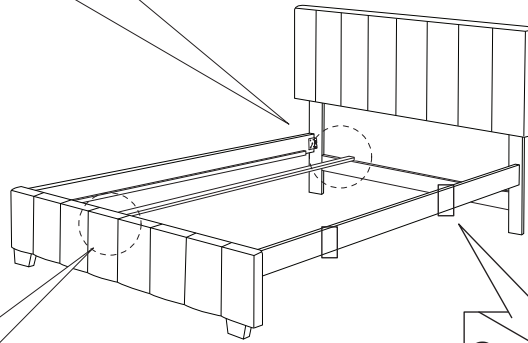
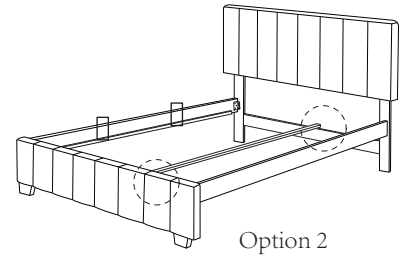
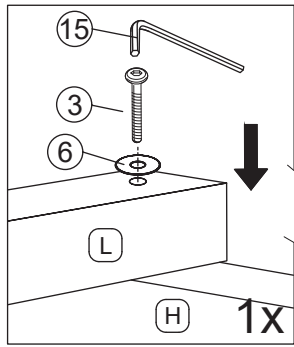


2x



STEP 5

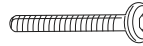


3	6	10	14	12
				
1 pc	1 pc	6 pcs	1 pc	2 pcs

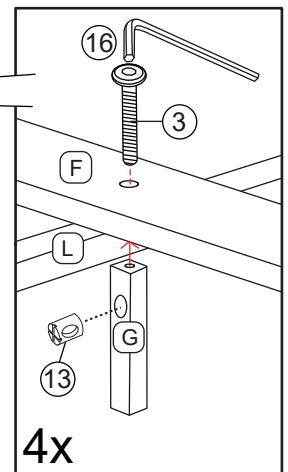
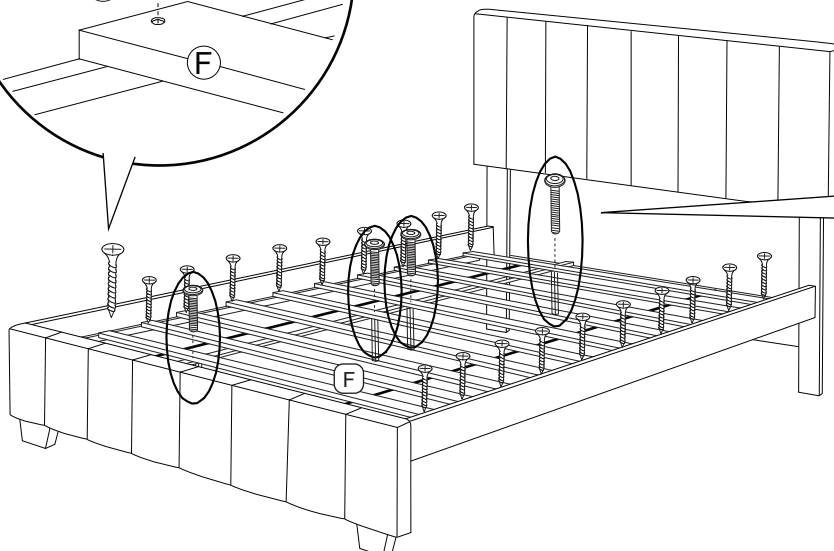
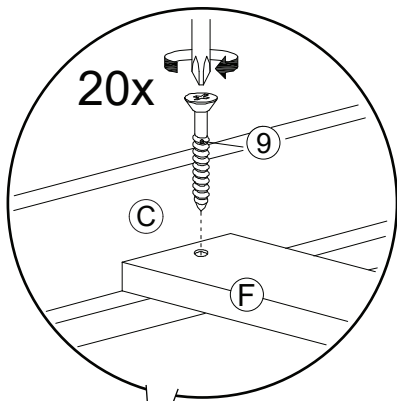


Follow the marking to attach the U-Bracket with Screw 20mm (4 pcs) at Footboard.

Optional:
Add stopper at desired side (Left side or Right side).

STEP 6

3	13	9
		
4 pcs	4 pcs	20 pcs



Lastly, place the trundle bed inside.

COMPLETED
ASSEMBLY

