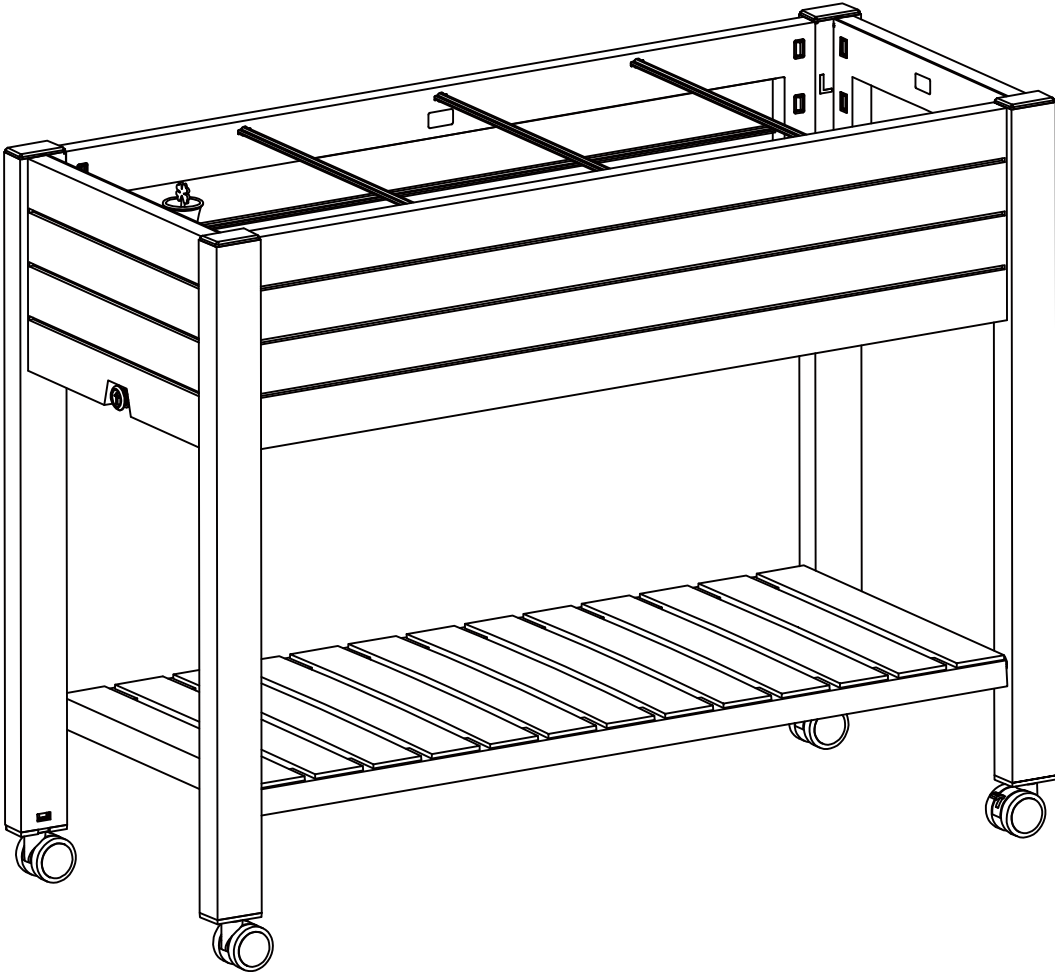


ASSEMBLE INSTRUCTIONS



IMPORTANT

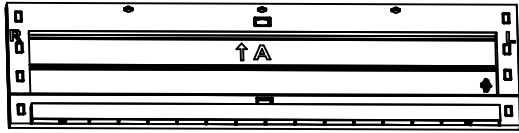
Once installed, the product cannot be detached. Strictly follow each step in the installation manual.

- Gather and organize all required parts prior to assembly. If you have any problems or discover any missing parts, please contact customer service.
- Some parts may contain sharp edges. Wear protective gloves if necessary during assembly.

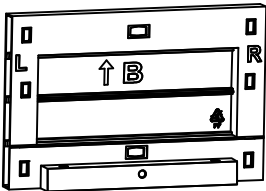
CARE & SAFETY

- Assemble on a flat, clean and soft surface.
- In case of fire, do not attempt to extinguish any burning polypropylene with water.
- Wear safety-goggles and always follow the manufacturer's instructions when using power tools.
- During installation, please refer to the accessories guide to ensure that they are installed in the correct directions.
- Do not stand on the lid.

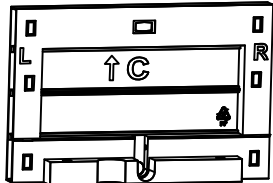
PARTS LIST



A (X2)



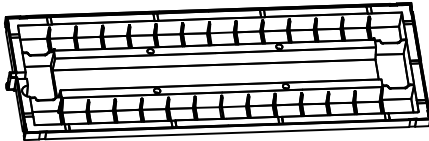
B (X1)



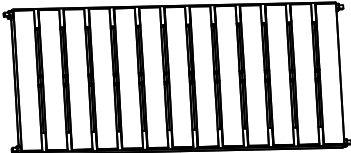
C (X1)



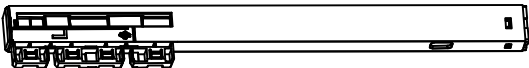
D (X1)



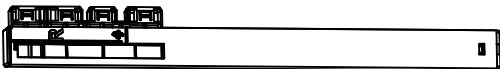
E (X1)



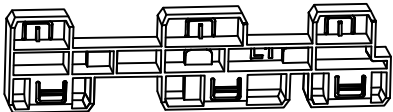
F (X1)



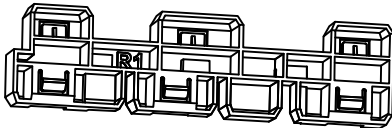
L (X2)



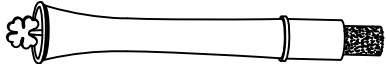
R (X2)



L1 (X2)



R1 (X2)



(X1)



(X3)



(X2)



(X2)

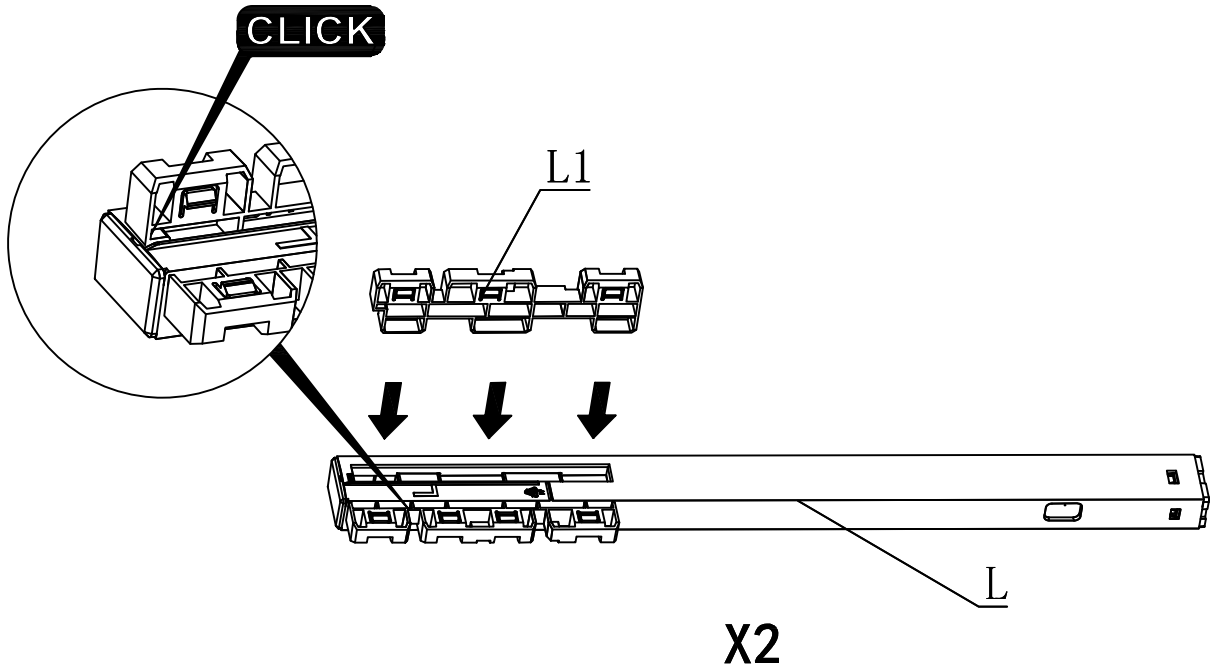


(X7)

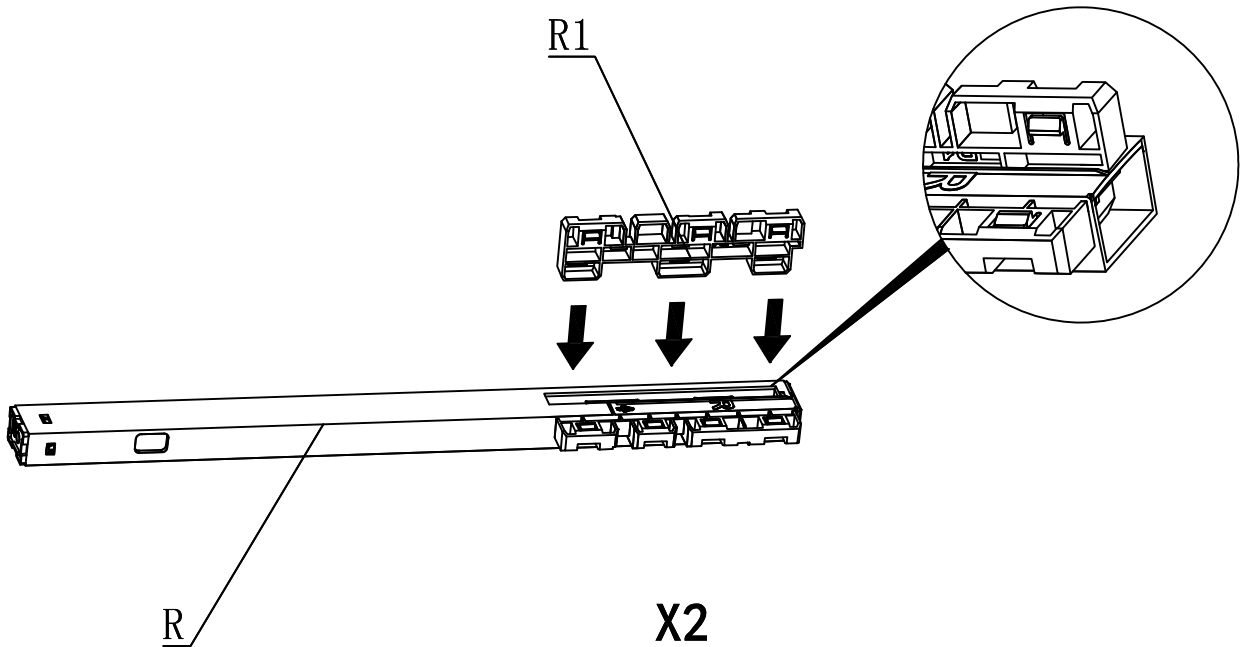


(X1)

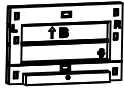
1 L (X2) L1 (X2)



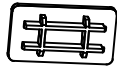
2 R (X2) R1 (X2)



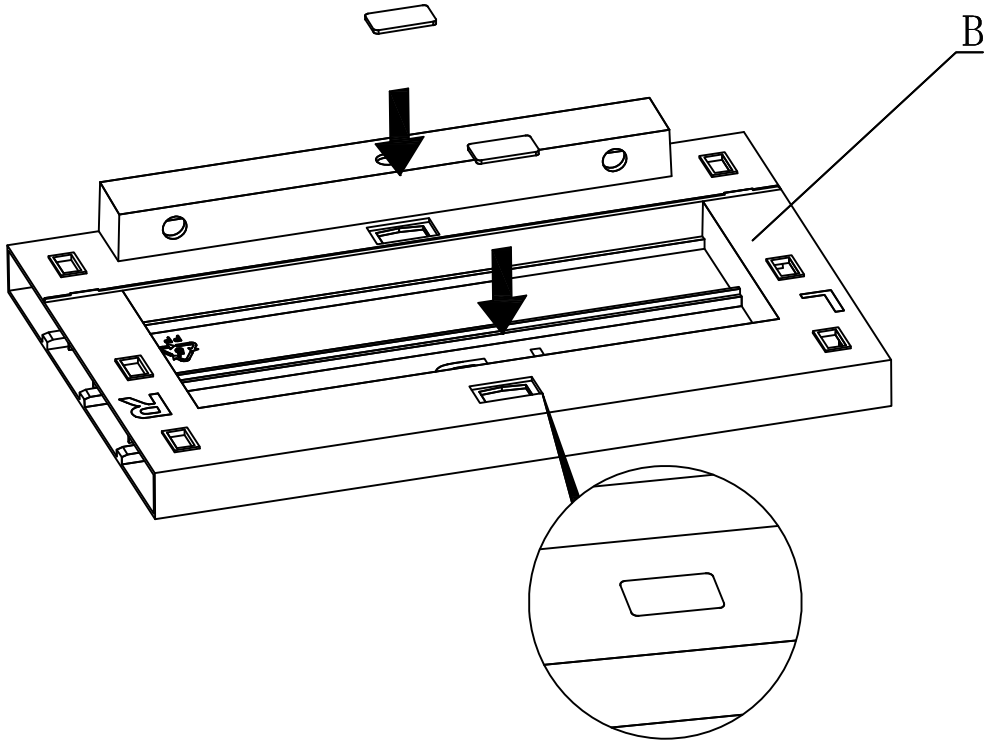
3



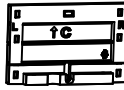
B (X1)



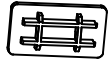
(X2)



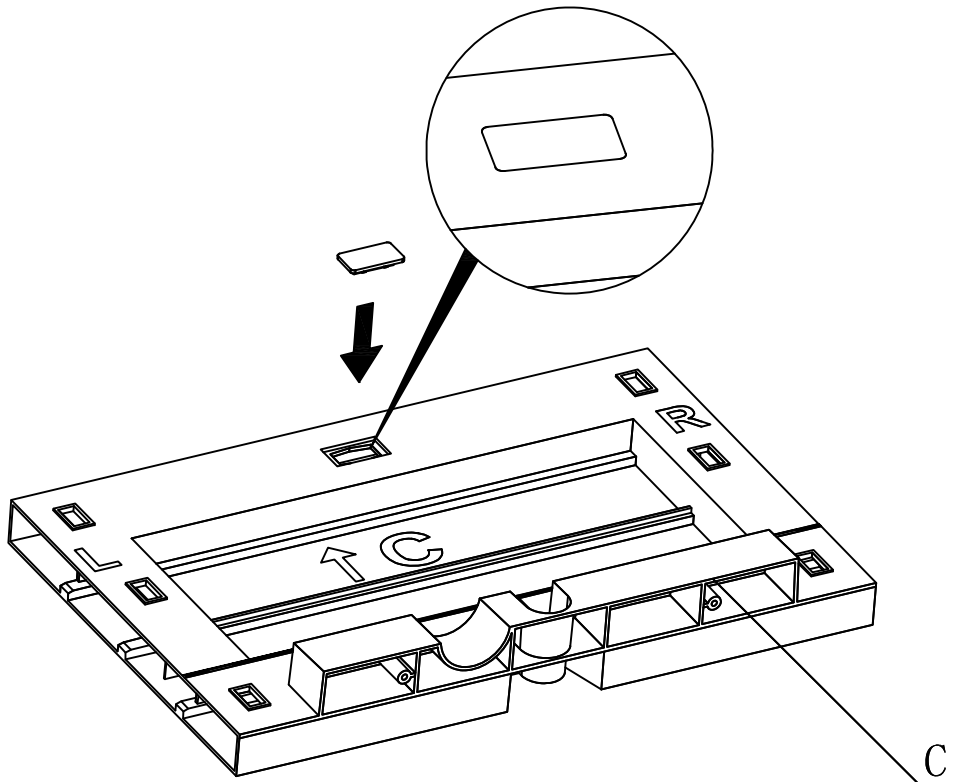
4



C (X1)

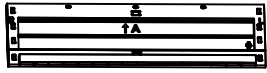


(X1)

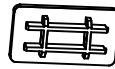


4

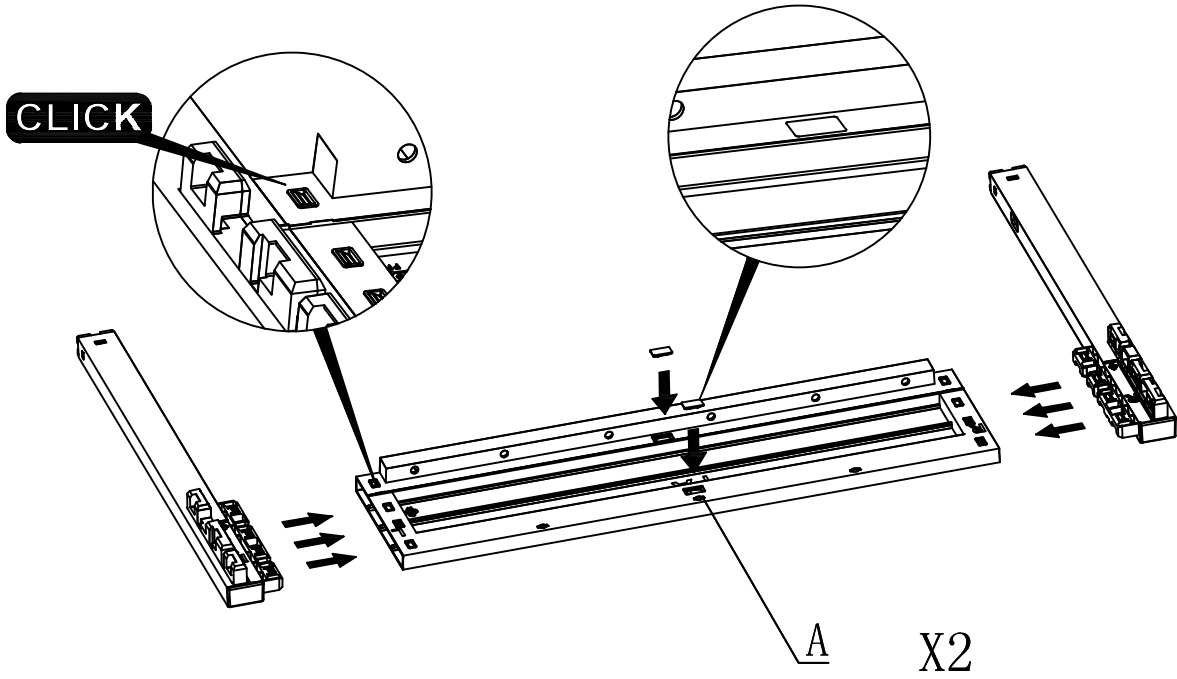
5



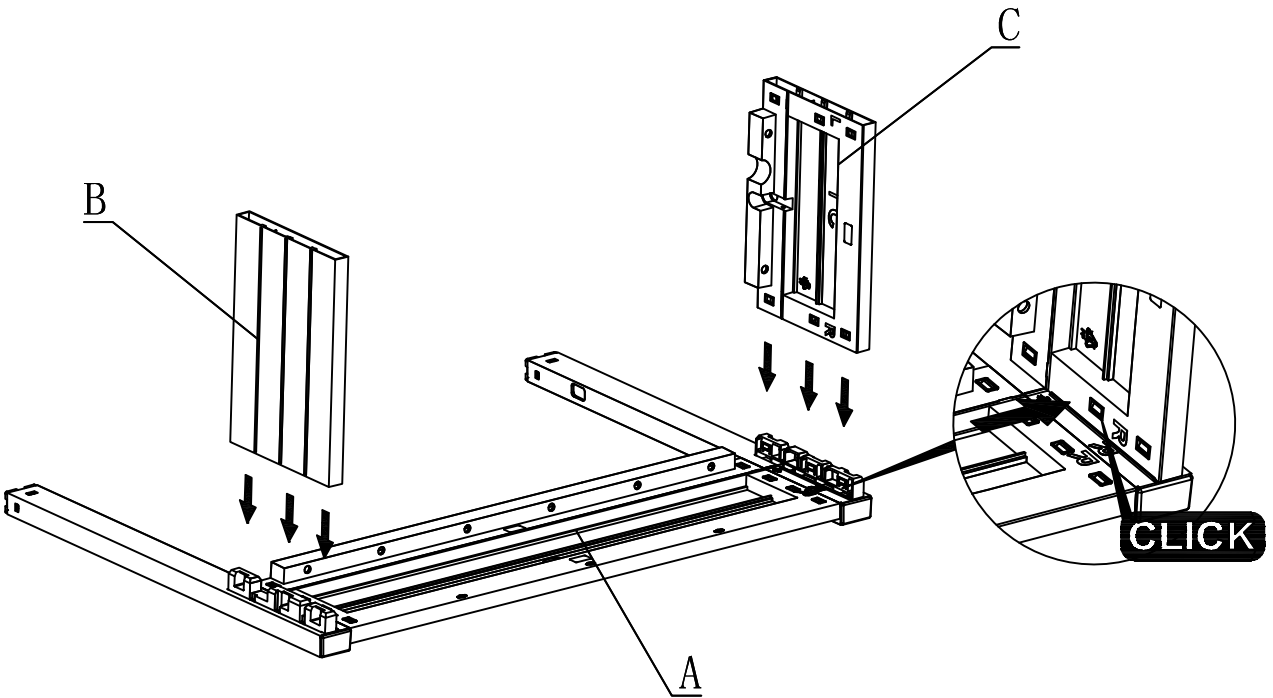
A (X2)



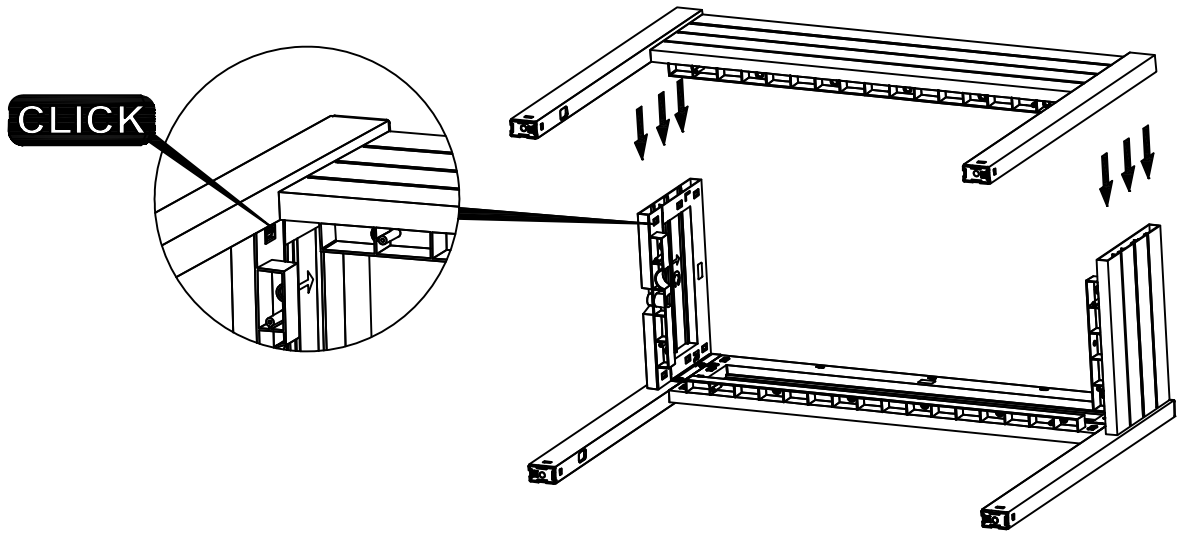
(X4)



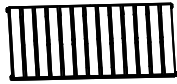
6



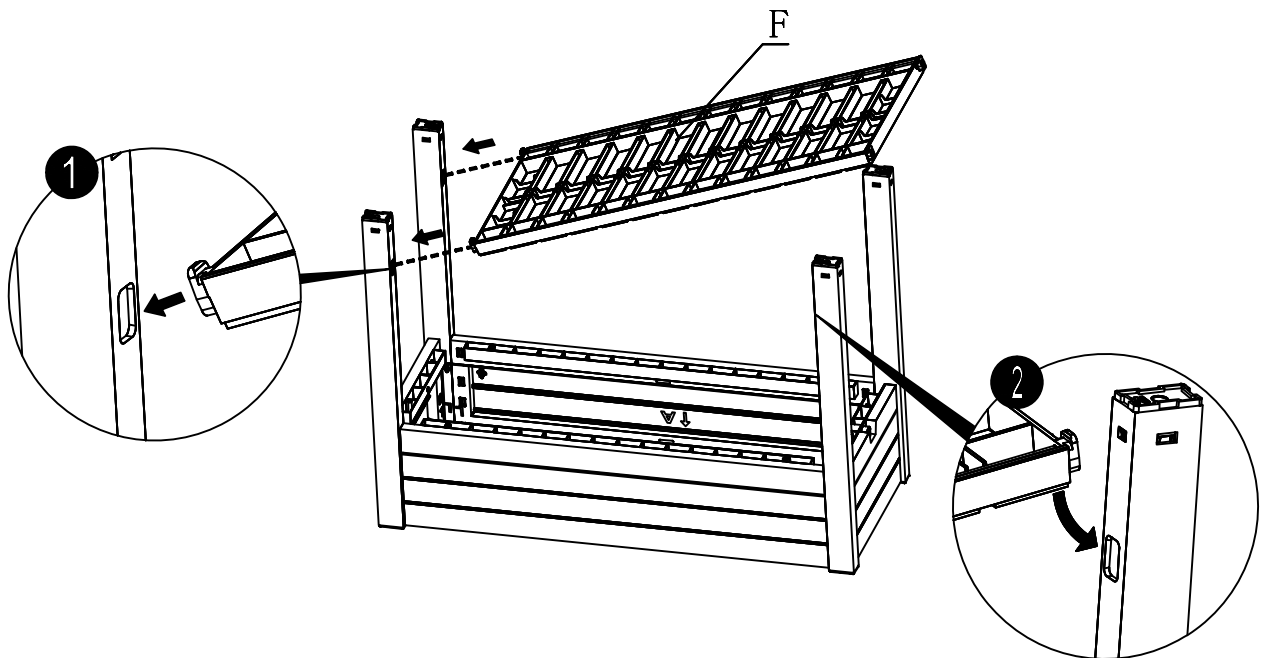
7




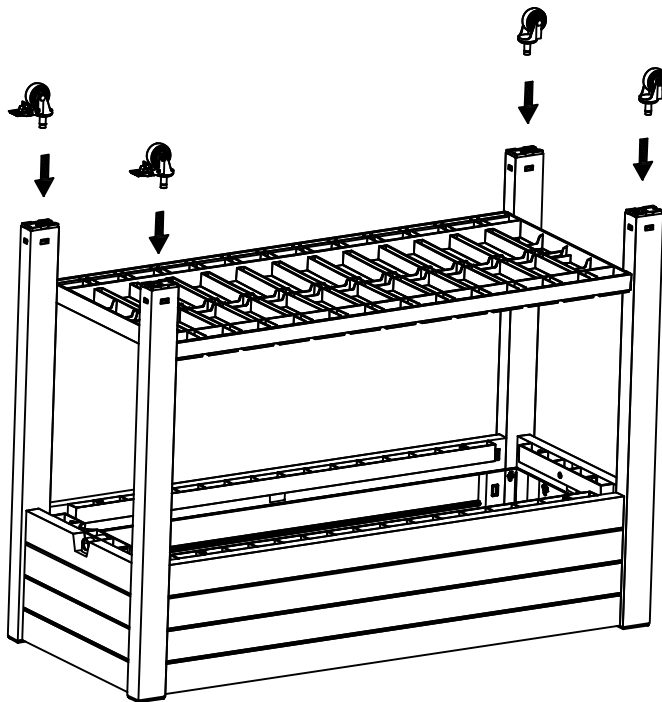
8

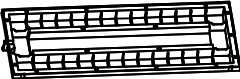


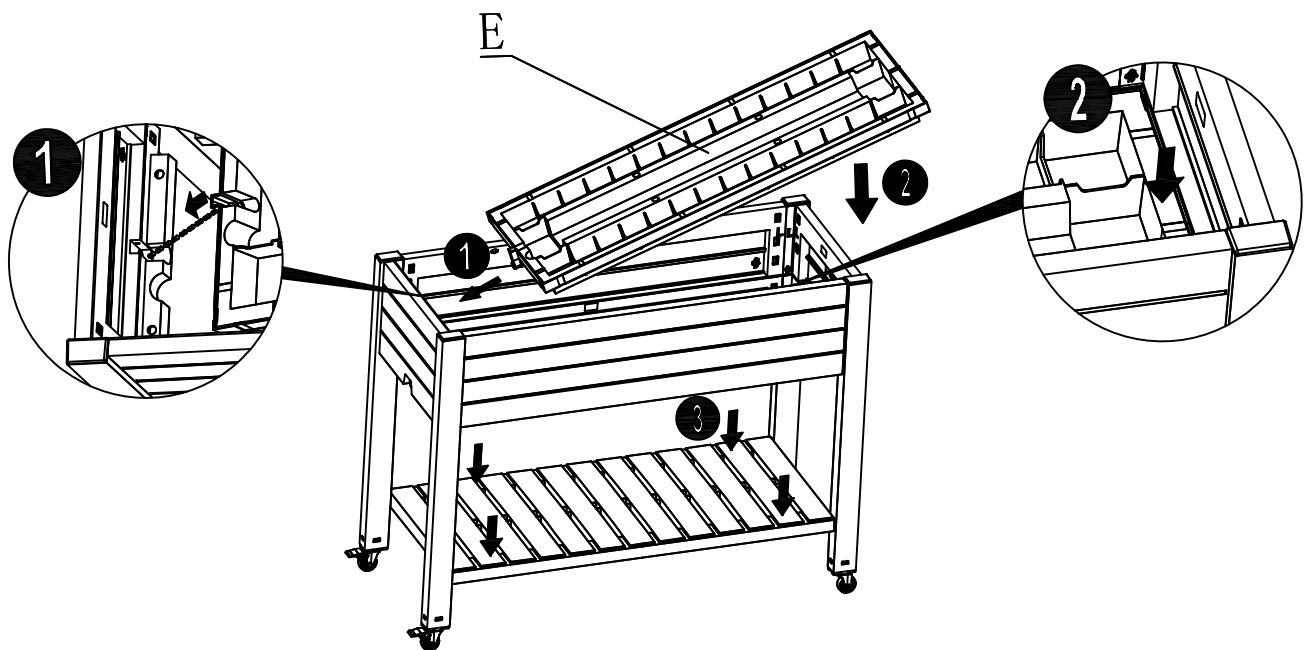
F (X1)



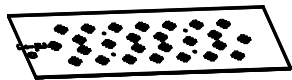
9  (X2)  (X2)



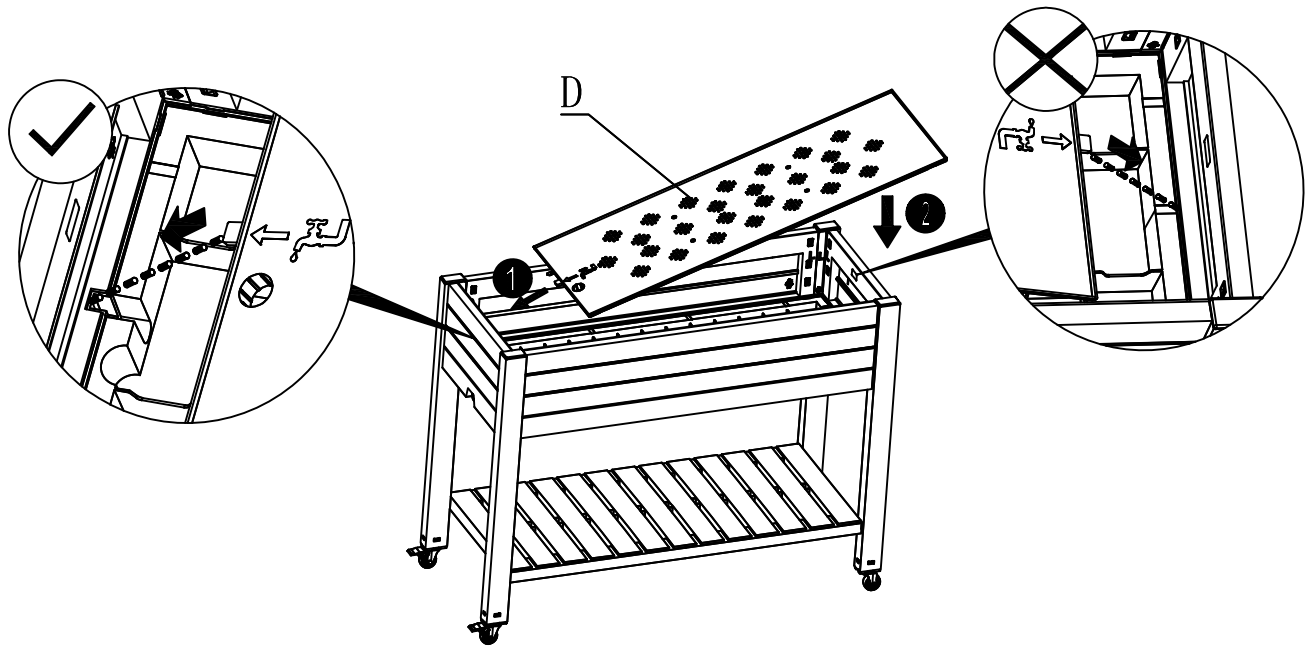
10  E (X1)



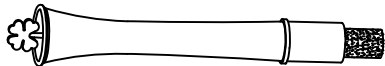
11



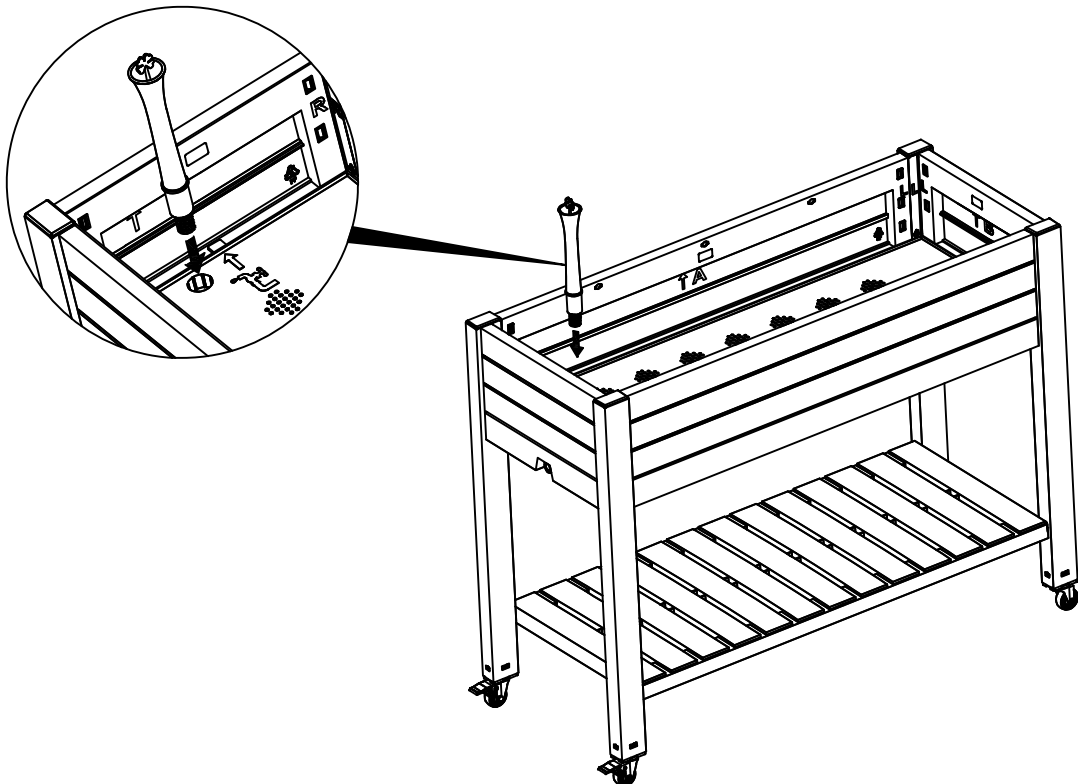
D (X1)



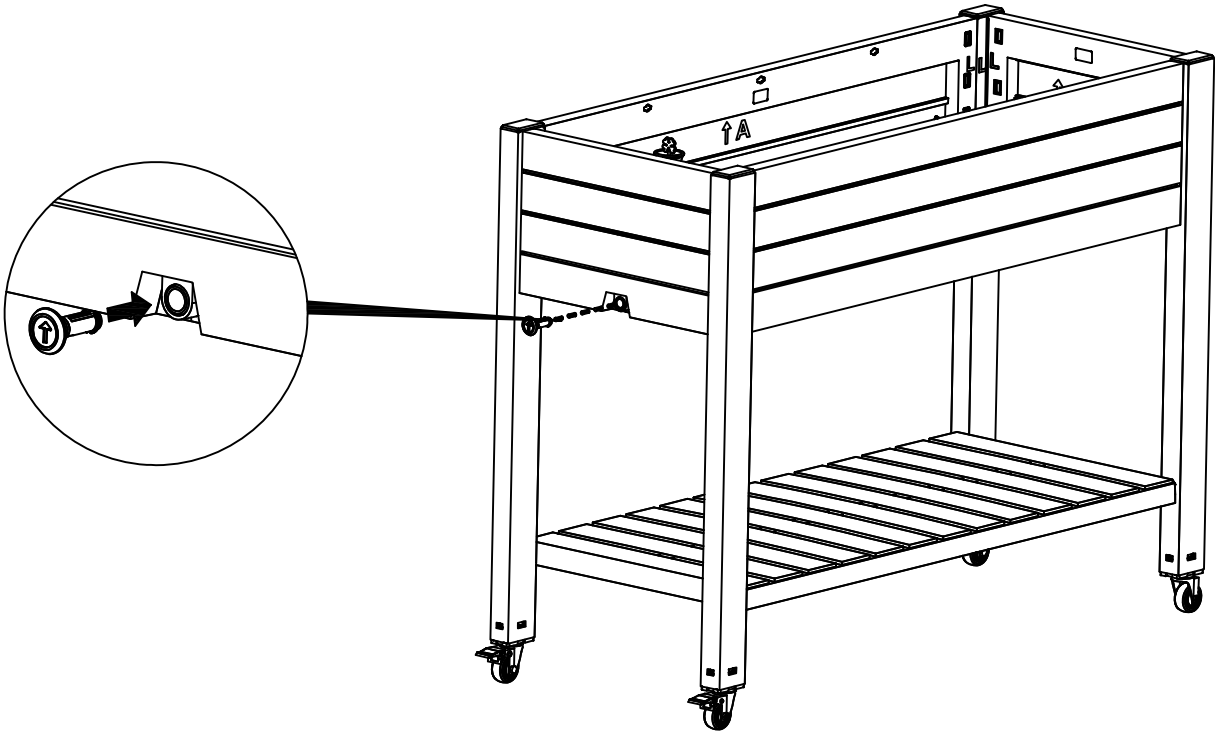
12



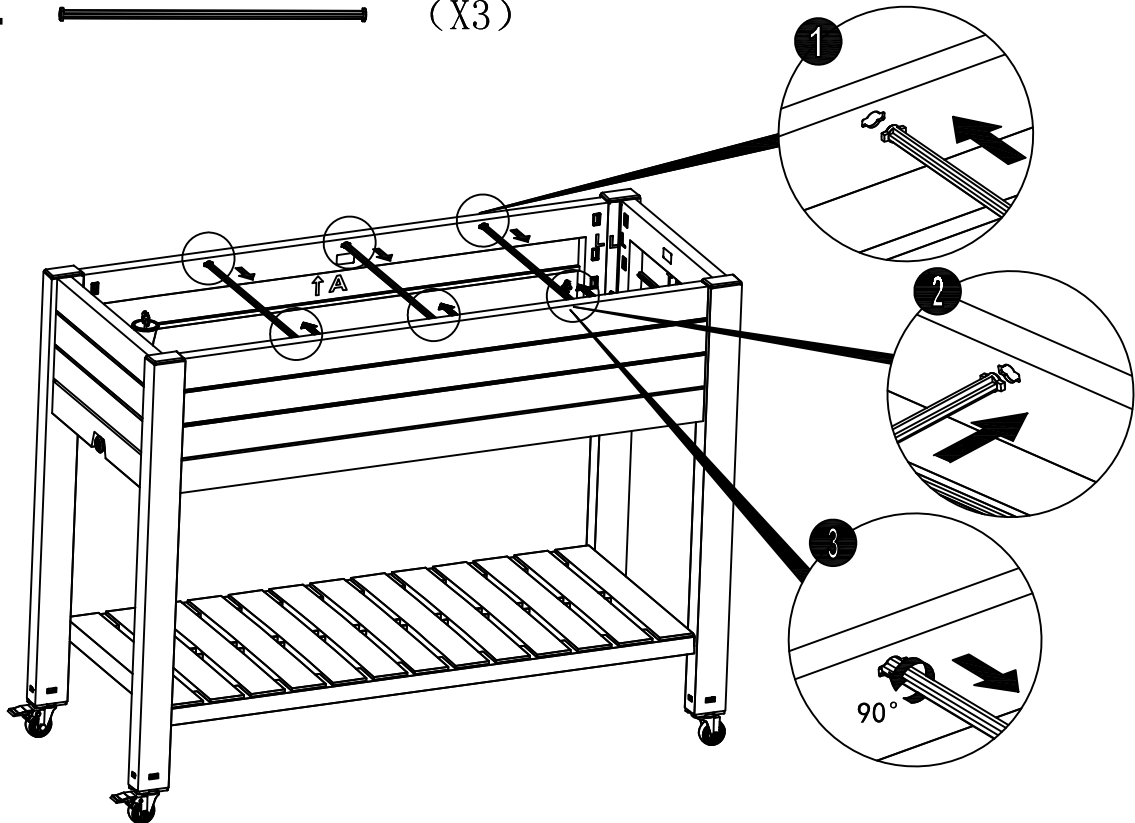
(X1)



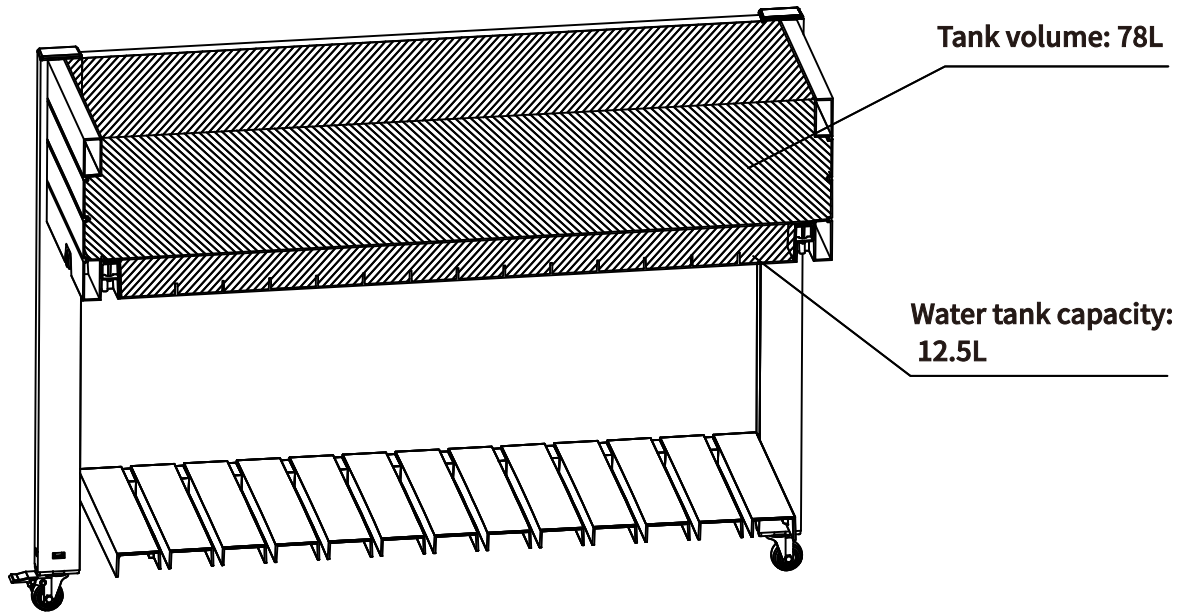
13  (X1)



14  (X3)



15



16

