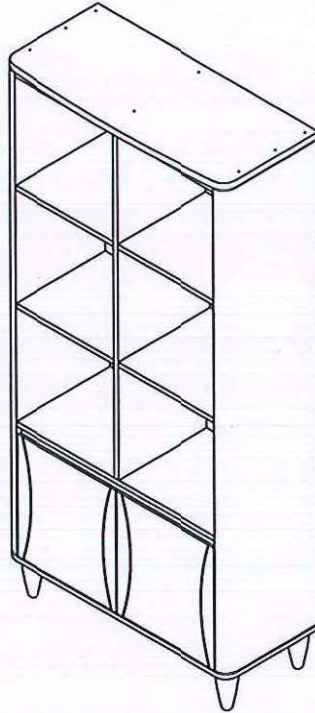


DISPLAY UNIT

Stock number: 2807-22

Thank you for purchasing this product. Please read the instructions carefully before use to ensure safe and satisfactory operation of this product.



Pre-assembly preparation

Please ensure instructions are read in full before attempting to assemble this product.

Necessary Tools : Phillips screwdriver



Ph 2



Please check the pack contents before attempting to assemble this product. A full checklist of components is given in this leaflet. If any components are missing, please contact the retailer from whom you bought this product.

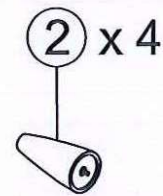
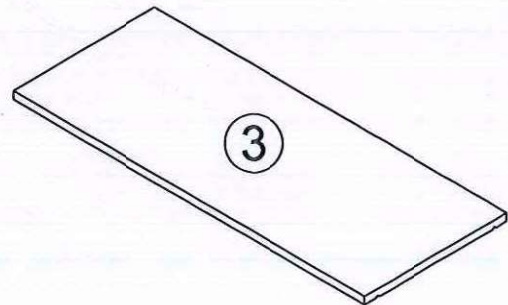
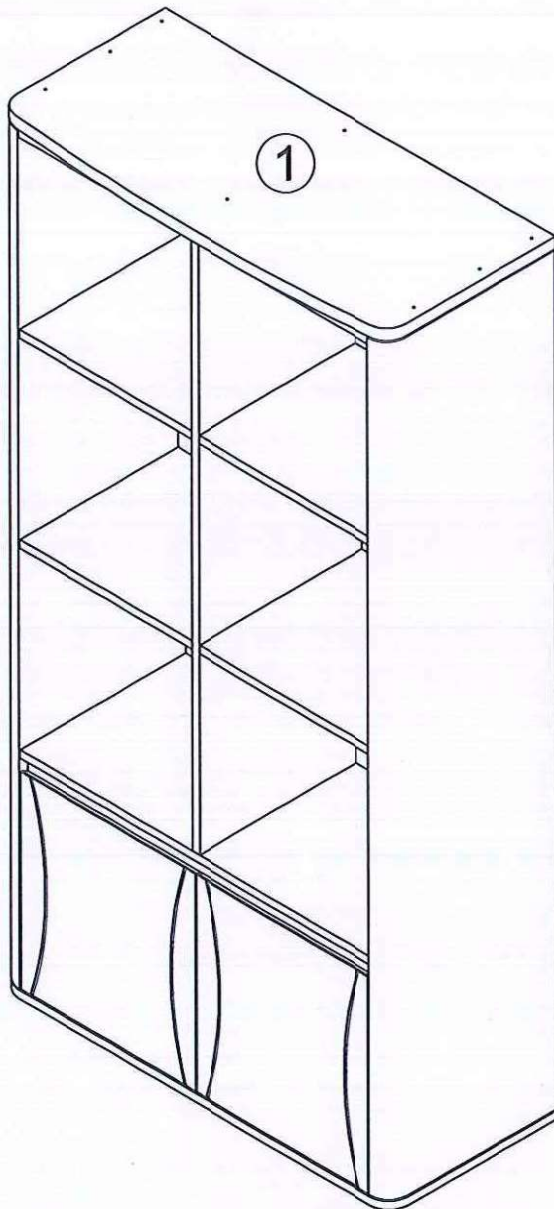
This product takes approximately **15 MINUTES** to assemble with **2 PERSON**.

All assembly should be performed on a flat, stable, clean and soft surface.

This product is **HEAVY**, it should be assembled as near as possible to the point of use. **TAKE CARE WHEN LIFTING** to avoid personal injury and (or) damage to the product.

The fitting pack contains **SMALL ITEMS** which should be **KEPT AWAY FROM YOUNG CHILDREN**.

IMPORTANT: Retain these instructions for future reference.



Fittings and parts checklist

Item	Description	Qty.		Item	Description	Qty.
1	Top unit	x 1		3	Adjustable shelf	x 1
2	Leg	x 4				
A	Shelf pin	x 4				

Step By Step Assembly Instructions

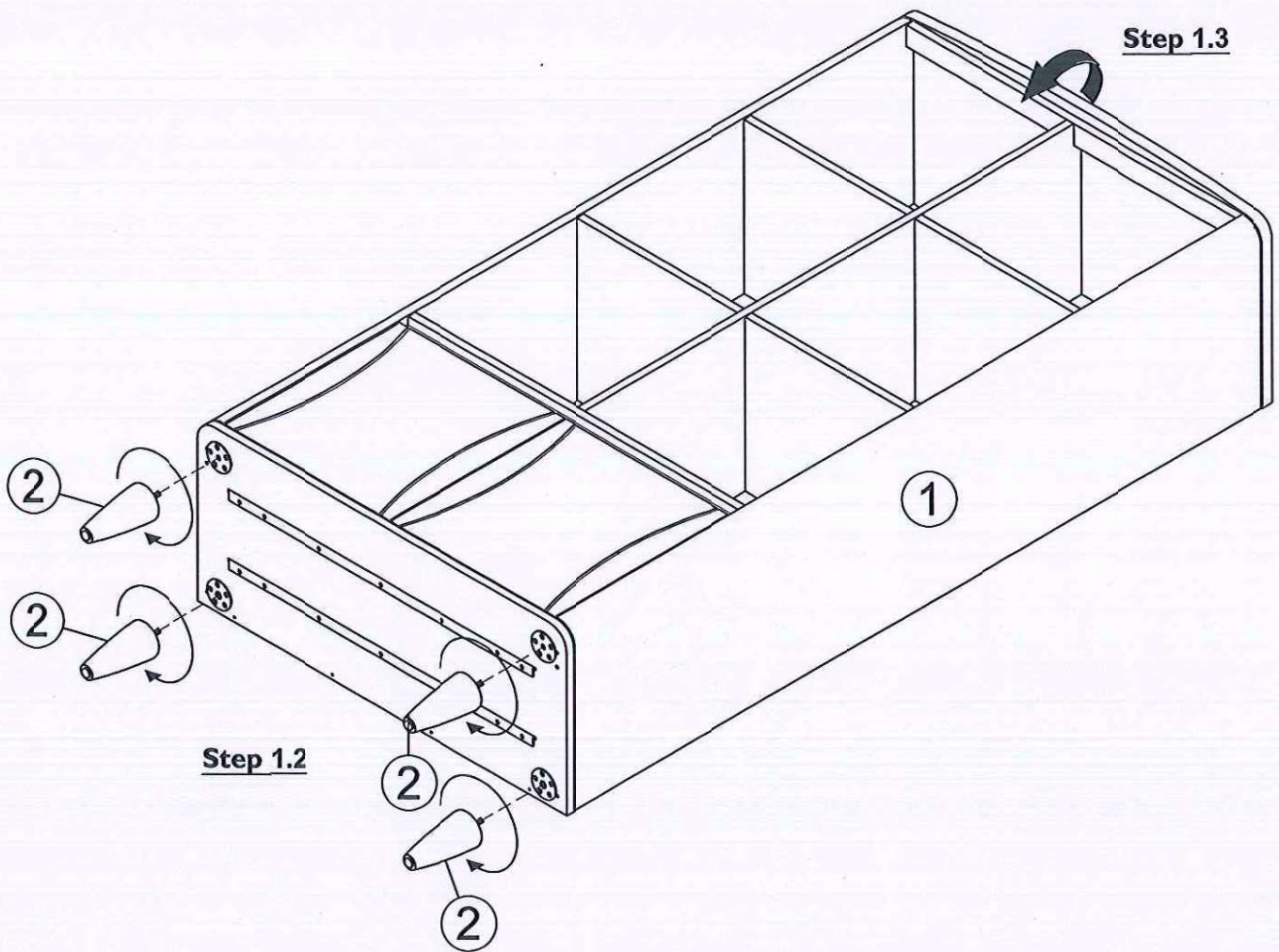
Step 1

1.1 : Lay all parts on a flat, stable, clean and soft surface.

1.2 : Screw each leg (2) into the mounting plate on the unit (1) as shown. Continue to re-tighten until it is securely fastened.

Repeat above procedure for the remaining legs (2).

1.3 : Stand the unit upright.



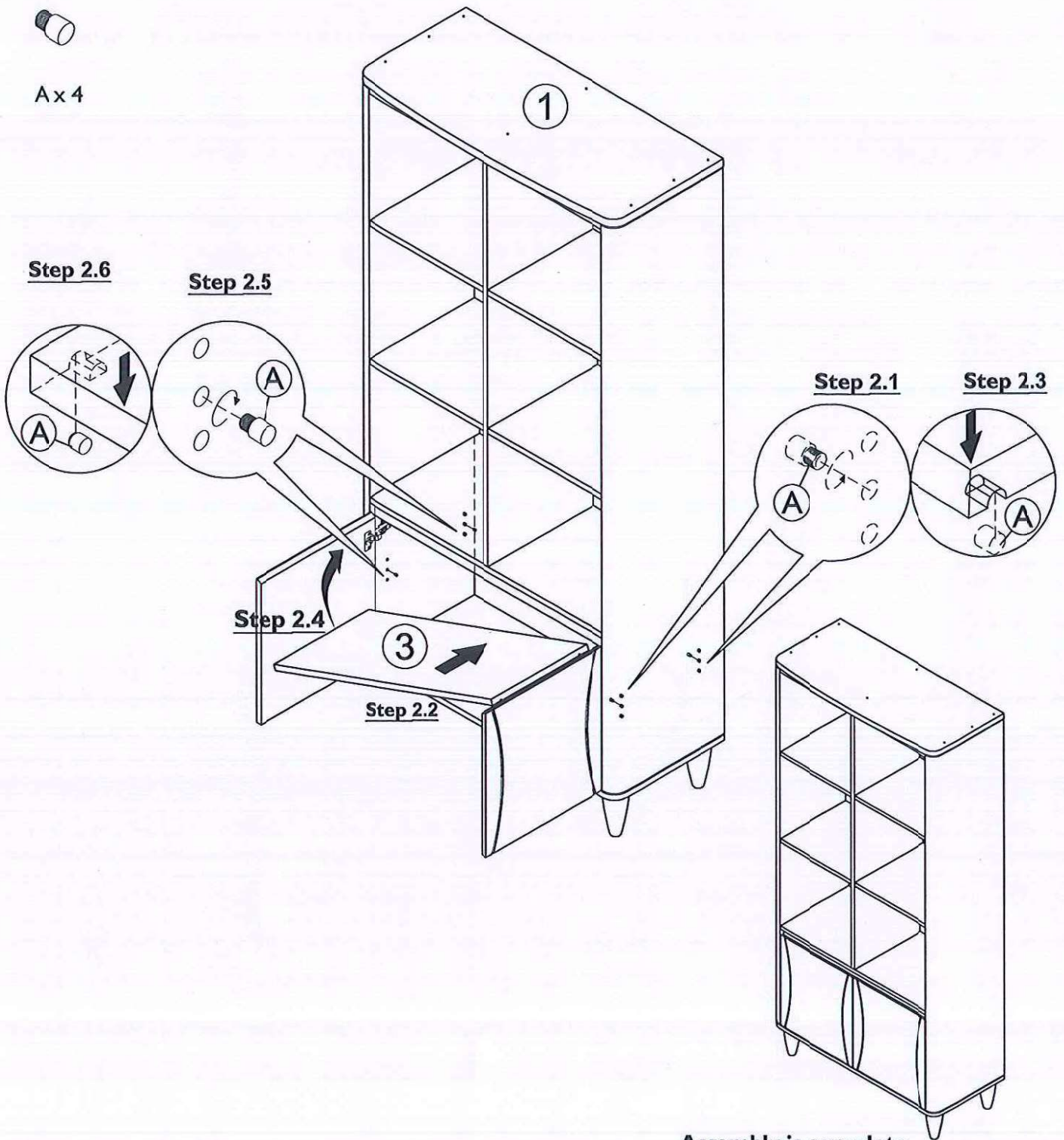
Step By Step Assembly Instructions

- Step 2**
- 2.1 : Screw 2x shelf pins (A) into the insert fittings in right side panel of the unit (1) as shown.
 - 2.2 : Tilt adjustable shelf (3) to a suitable angle as shown in the picture so as to slide them in.
 - 2.3 : Slide adjustable shelf (3) into the unit. Ensure the notches on adjustable shelf (3) is facing down, then lower the right side of adjustable shelf (3) onto the pins of shelf pins (A) as shown.
 - 2.4 : Lift up left side of adjustable shelf (3).
 - 2.5 : Screw 2x shelf pins (A) into the insert fittings in left side panel of the unit as shown.
 - 2.6 : Lower adjustable shelf (3) onto the pins of shelf pins (A) as shown.

Fitting



A x 4

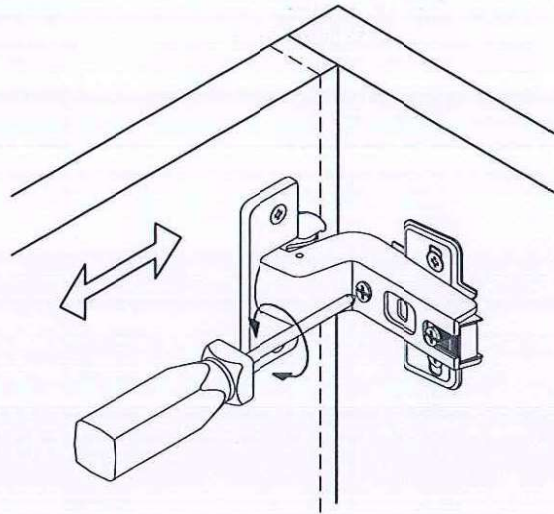


Assembly is complete

HINGE ADJUSTMENT INSTRUCTIONS

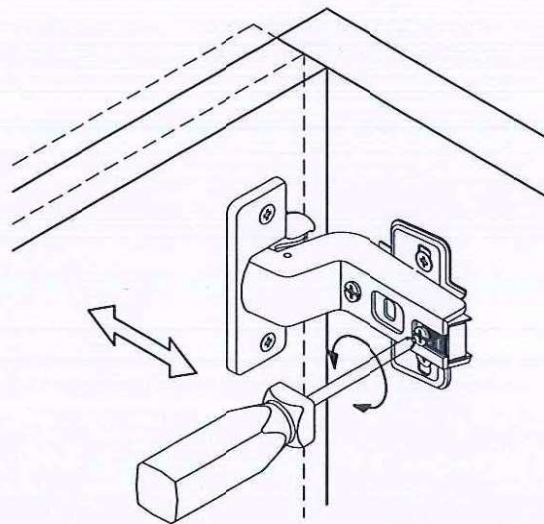
LATERAL ADJUSTMENT

by screw adjustment.



FRONT-TO-BACK

by slackening and retightening the hinge-arm mounting screw.



VERTICAL ADJUSTMENT

via slots on mounting plate by slackening and retightening the screws on mounting plate

