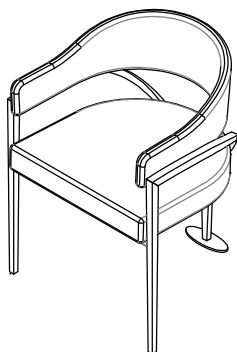


ASSEMBLY INSTRUCTIONS

#553 #554

meridian.
furniture



+ Do Not Use Power Tools



+ Suggested Adults



NOTE: For questions about parts or assembly please email support@meridianfurnitureusa.com or call us at 718-758-4455.

- 1 Read instructions cover to cover.
- 2 Save all packaging until assembly is completed.

1 IMPORTANT SAFETY INFORMATION

Do not assemble the product if any of the following parts arrived damaged:

- Part 1 - Chair base
- Part 2 - Chair seat
- Part 2 - Chair back

Do not assemble if any of the following Hardware parts are missing:

- Part A - Allen Key
- Part B - Bolt
- Part C - Gasket
- Part D - Bolt
- Part E - Allen Key
- Part F - Baseplate
- Part G - Bolt

2 IMPORTANT ASSEMBLY INFORMATION

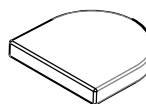
Assembly Step If loosening persists, please make sure to tighten all the bolts periodically, or use a thread locker adhesive.

+ Parts Included

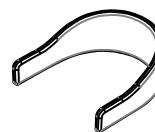
- ① Base x1pc



- ② Seat x1pc



- ③ Back x1pc



+ Hardware Included

- A** Allen Key x1pc
4#



- B** Bolt x3pcs
M6x30



- C** Gasket x3pcs
Ø16xØ6



- D** Bolt x1pc
M8x25



- E** Allen Key x1pc
5#



- F** Baseplate x1pc



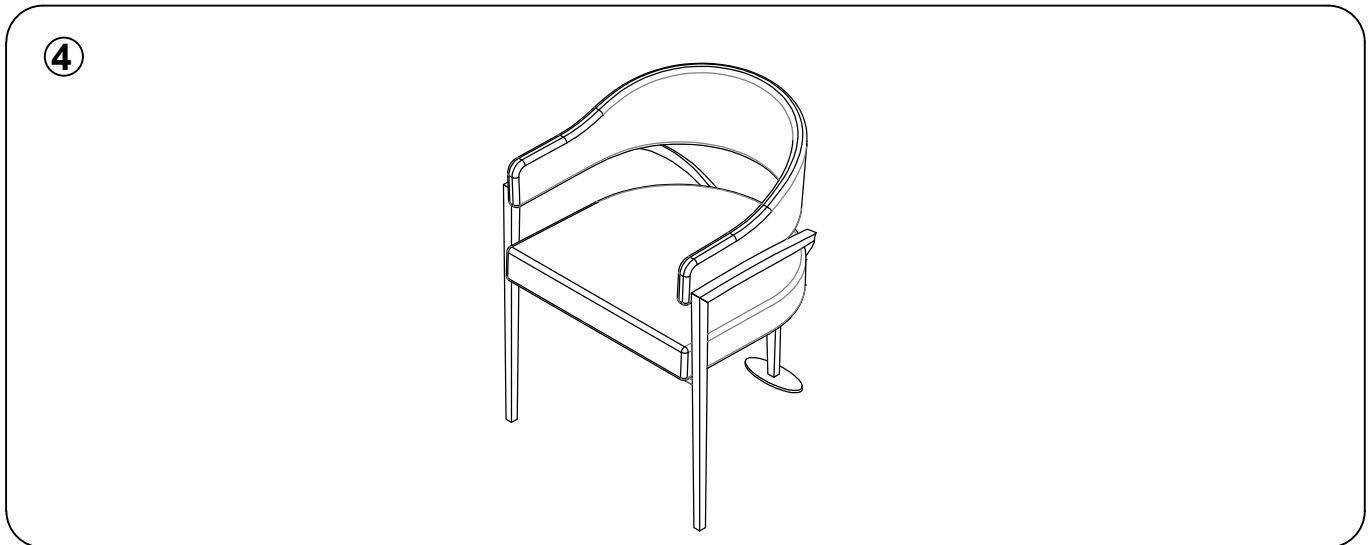
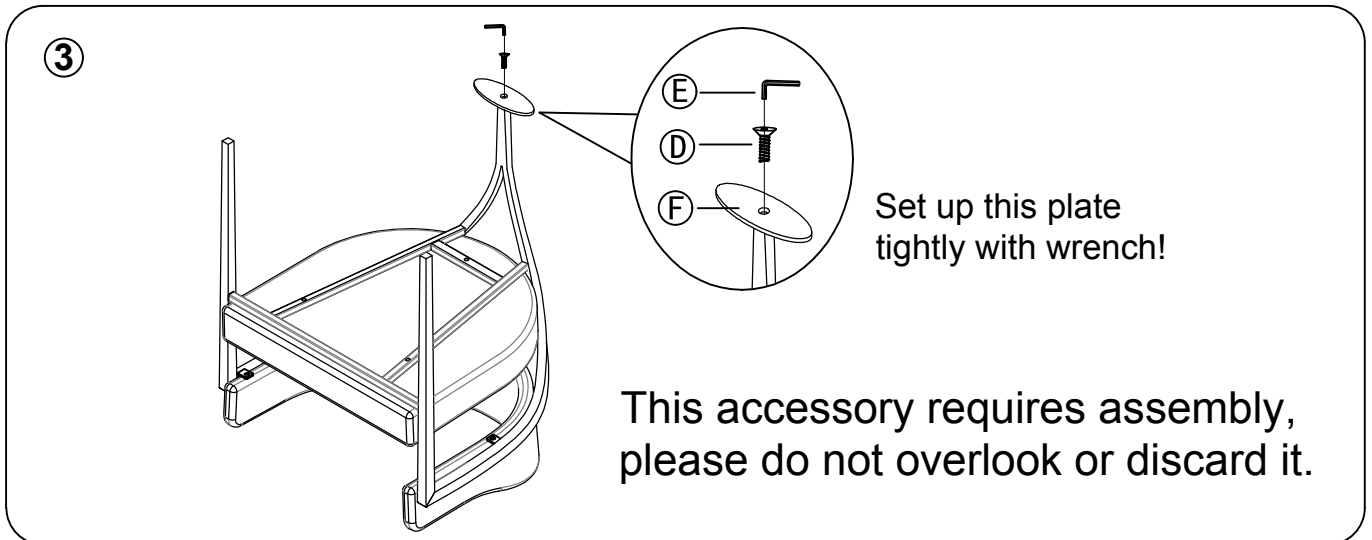
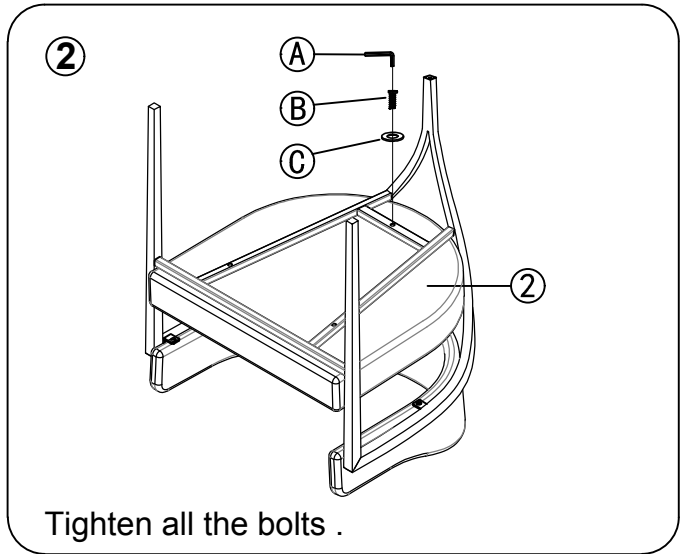
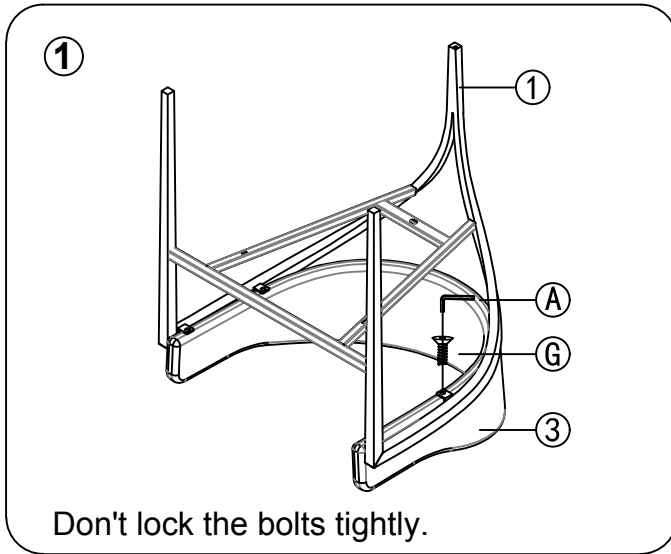
- G** Bolt x4pcs
M6x16



ASSEMBLY INSTRUCTIONS

#553 #554

meridian.
furniture



NOTE : For questions about parts or assembly please email support@meridianfurnitureusa.com or call us at 718-758-4455.

www.MeridianFurnitureUSA.com | support@meridianfurnitureusa.com