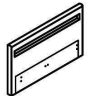
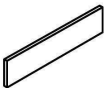
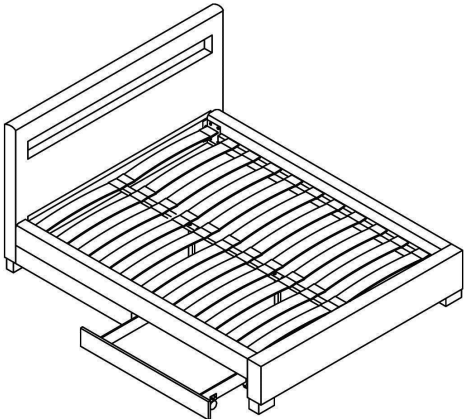
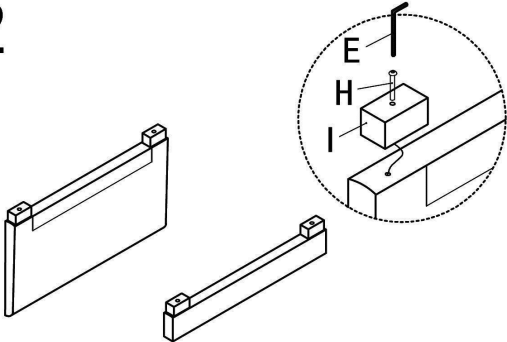






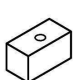
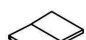
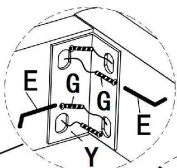
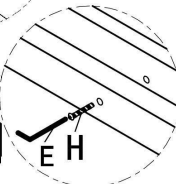
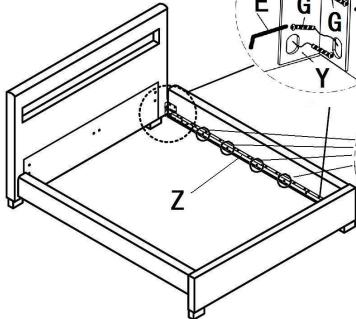
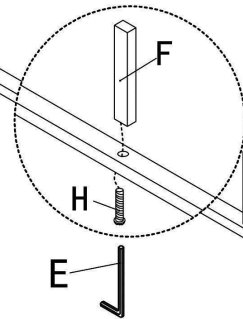
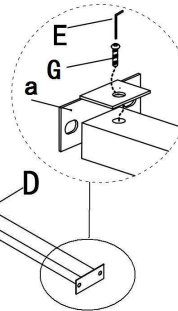
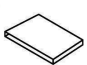



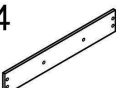
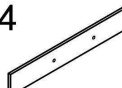


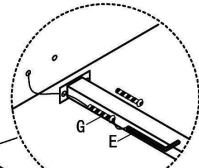
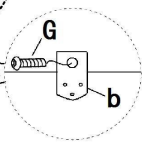
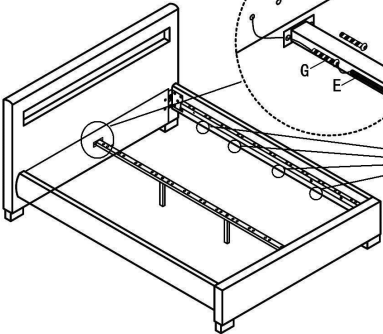
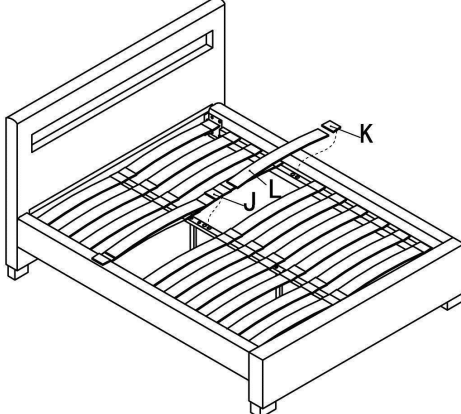






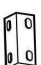

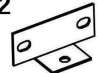
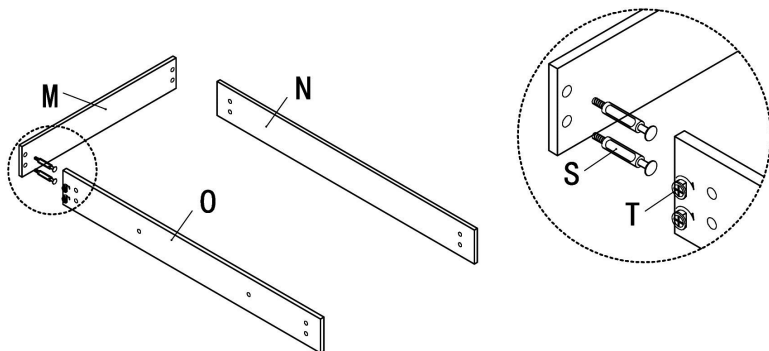
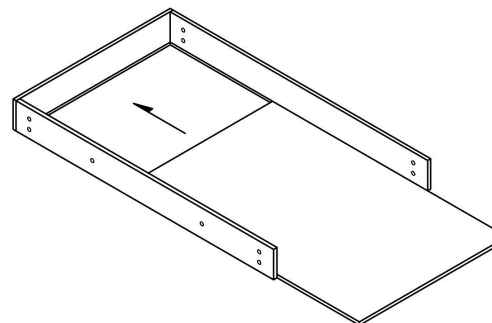


<p>A x1</p> 	<p>B x1</p> 	<p>1</p> 	<p>2</p> 
<p>C x2</p> 	<p>D x1</p> 		
<p>E x1</p> 	<p>F x2</p> 		
<p>G x30 (8*20)</p> 	<p>H x14 (8*50)</p> 		
<p>I x4</p> 	<p>J x12</p> 	<p>3</p>   	<p>4</p>  
<p>K x24</p> 	<p>L x24</p> 		
<p>M x8</p> 	<p>N x4</p> 		
<p>O x4</p> 	<p>P x4</p> 		
<p>Q x48 (3. 5*15)</p> 	<p>R x16</p> 	<p>5</p>   	<p>6</p> 
<p>S x32</p> 	<p>T x32</p> 		
<p>U x8 (8*35)</p> 	<p>V x1</p> 		
<p>W x1</p> 	<p>X x1</p> 		
<p>Y x4</p> 	<p>Z x2</p> 	<p>ax2</p> 	

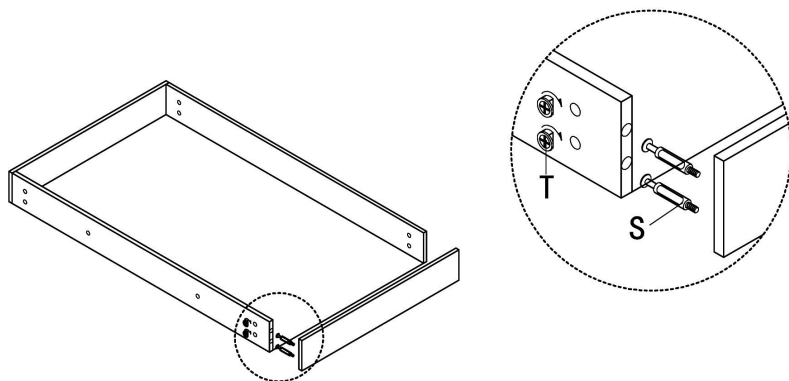
7



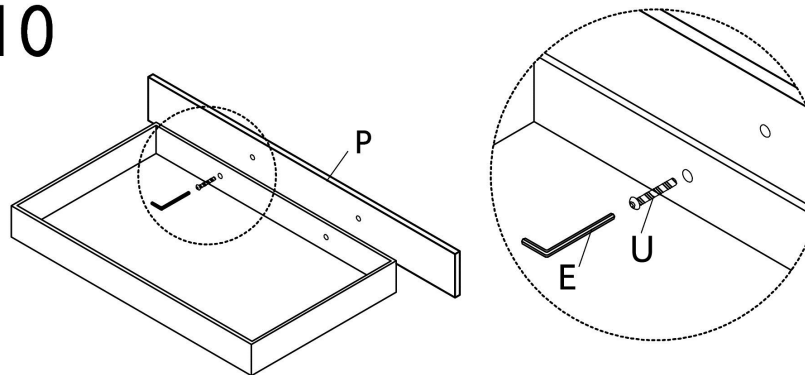
8



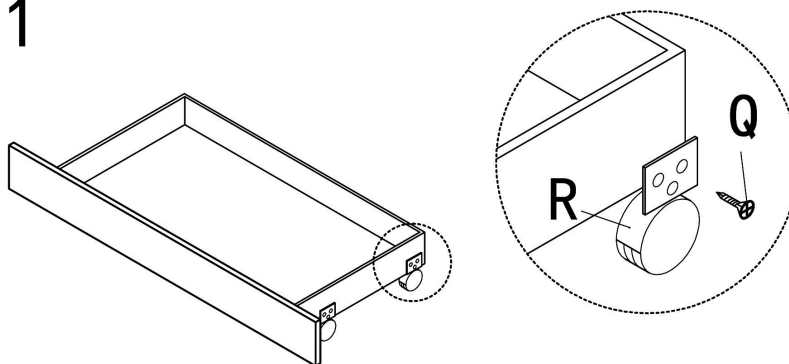
9



10



11



12

