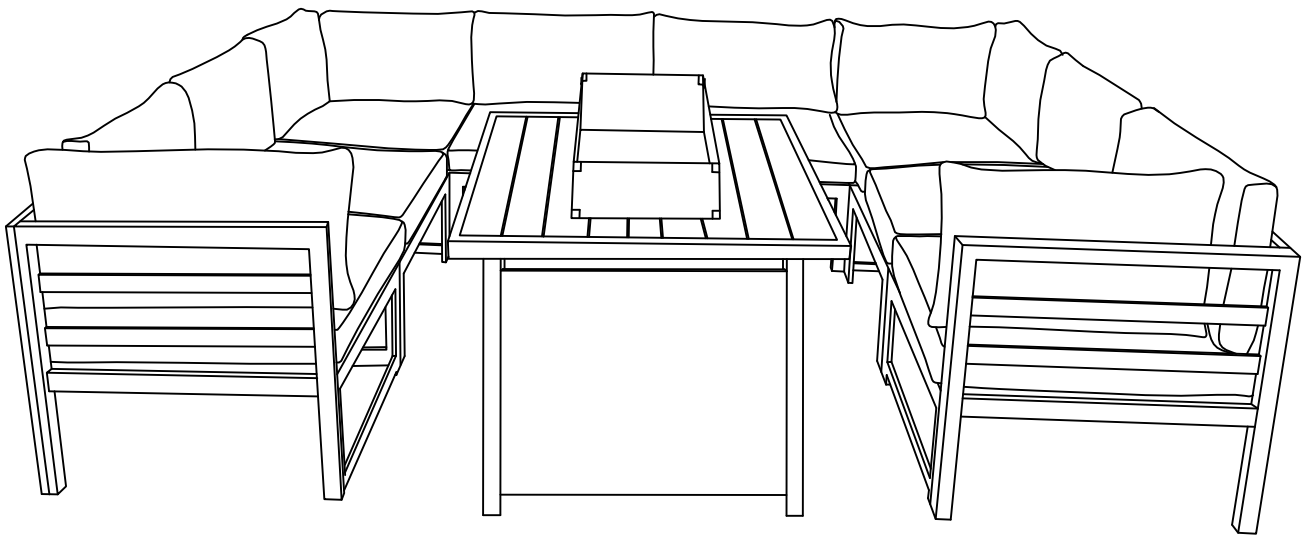
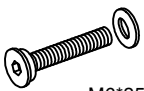


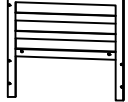
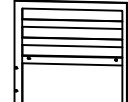




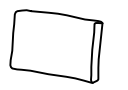
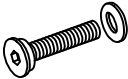
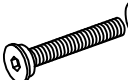



ASSEMBLY INSTRUCTIONS

ASSEMBLY INSTRUCTIONS

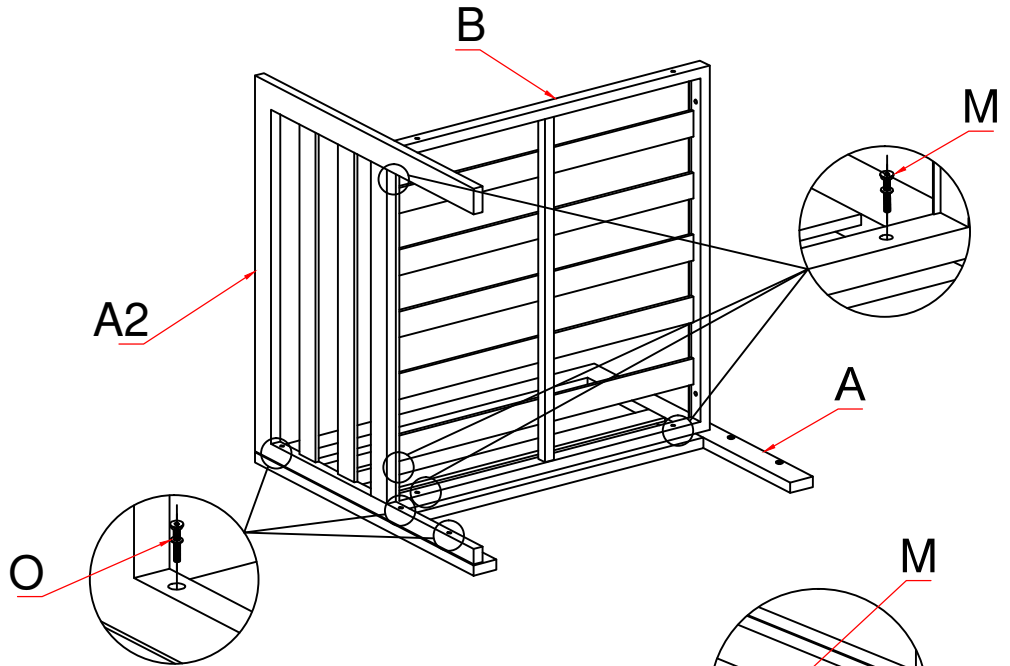


PART	M	O	Y
FIGURE	 M6*35	 M6*45	
QTY	64PCS	68PCS	1PC

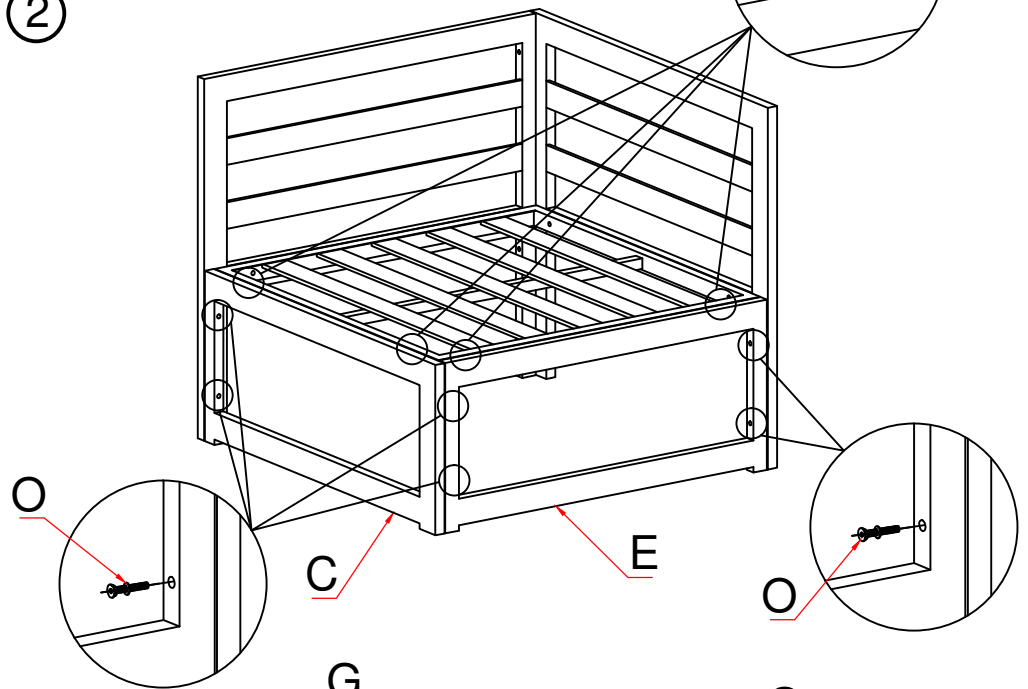
A		1
A2		1
B		1
C		1
E		1
F		1
G		2
M	 M6*35	8
O	 M6*45	9
Y		1

Corner Chair(x4)

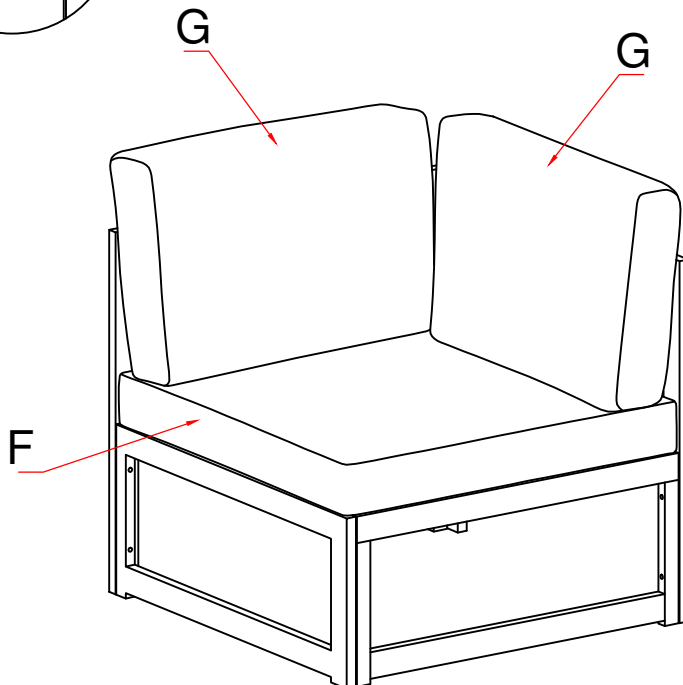
①

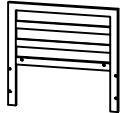

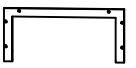


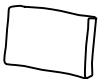
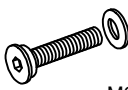
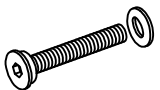



②



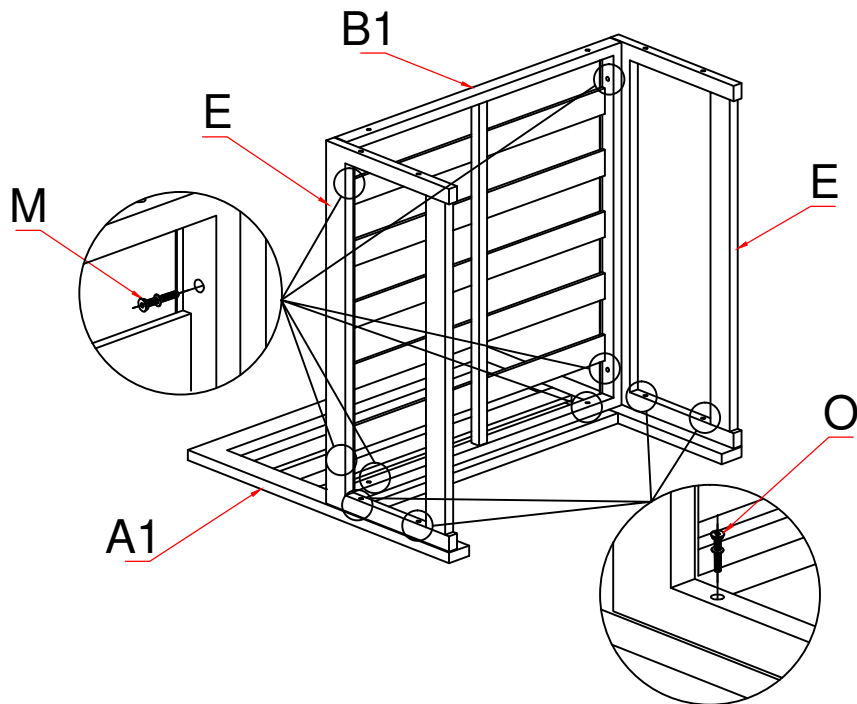
③



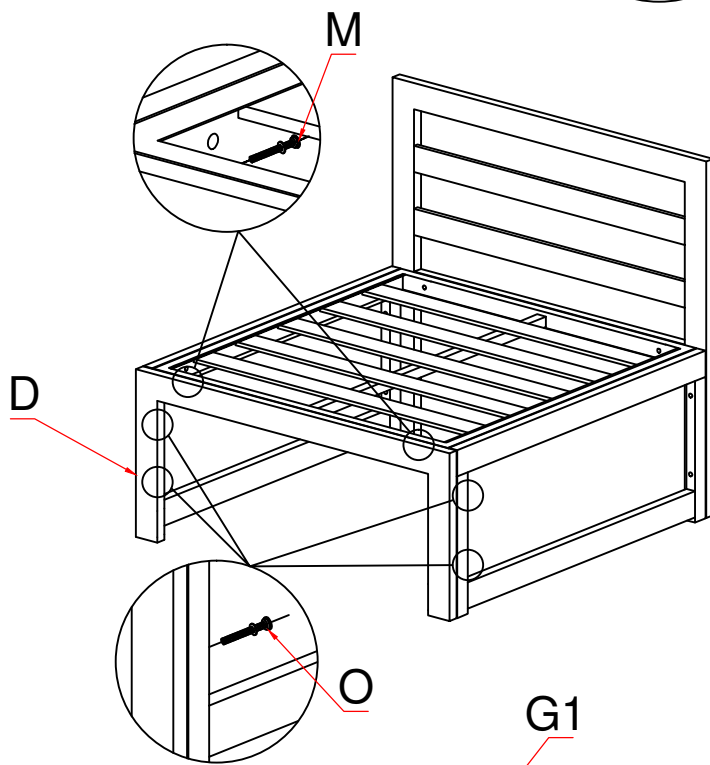
A1		1
B1		1
D		1
E		2
F1		1
G1		1
M	 M6*35	8
O	 M6*45	8
Y		1

Single Chair(x4)

①



②



③

