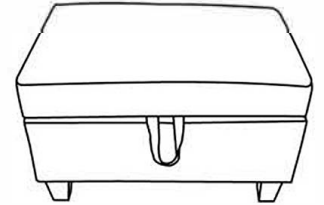
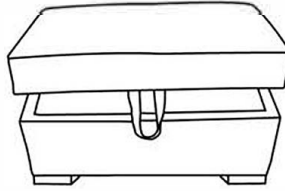


Note: You can choose different feet (Hight/Short style).

ASSEMBLY INSTRUCTION

Ottoman(O)



PART LIST

Ax4



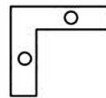
high foot

Bx4



washer

Cx4



short foot

Dx8



M6x35mm

bolt

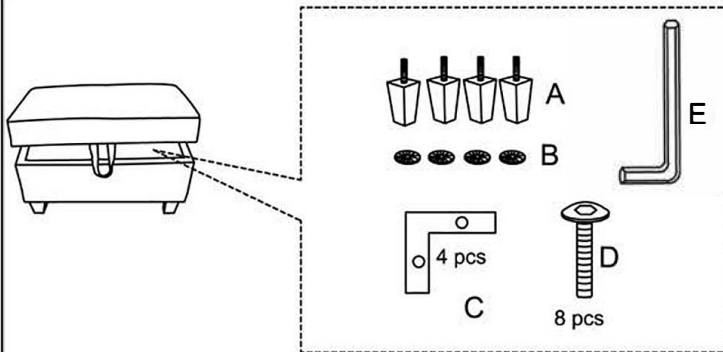
Ex1



Allen Key

Step 1

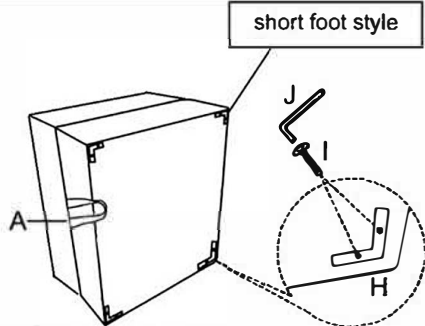
Open the cover to remove . A+B+C+D+E



IMPORTANT

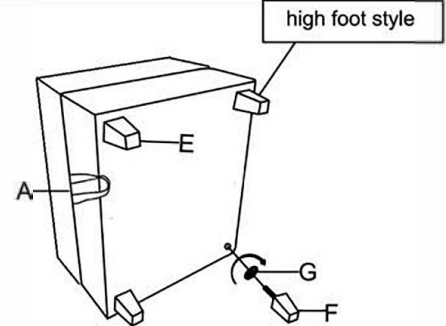
- 1, Open the cover and take all parts out
- 2, You can choose High/Short feet to assemble.

Step 2



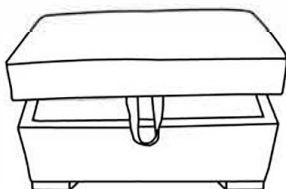
short foot style

Step 2



high foot style

Step 3



Step 3

