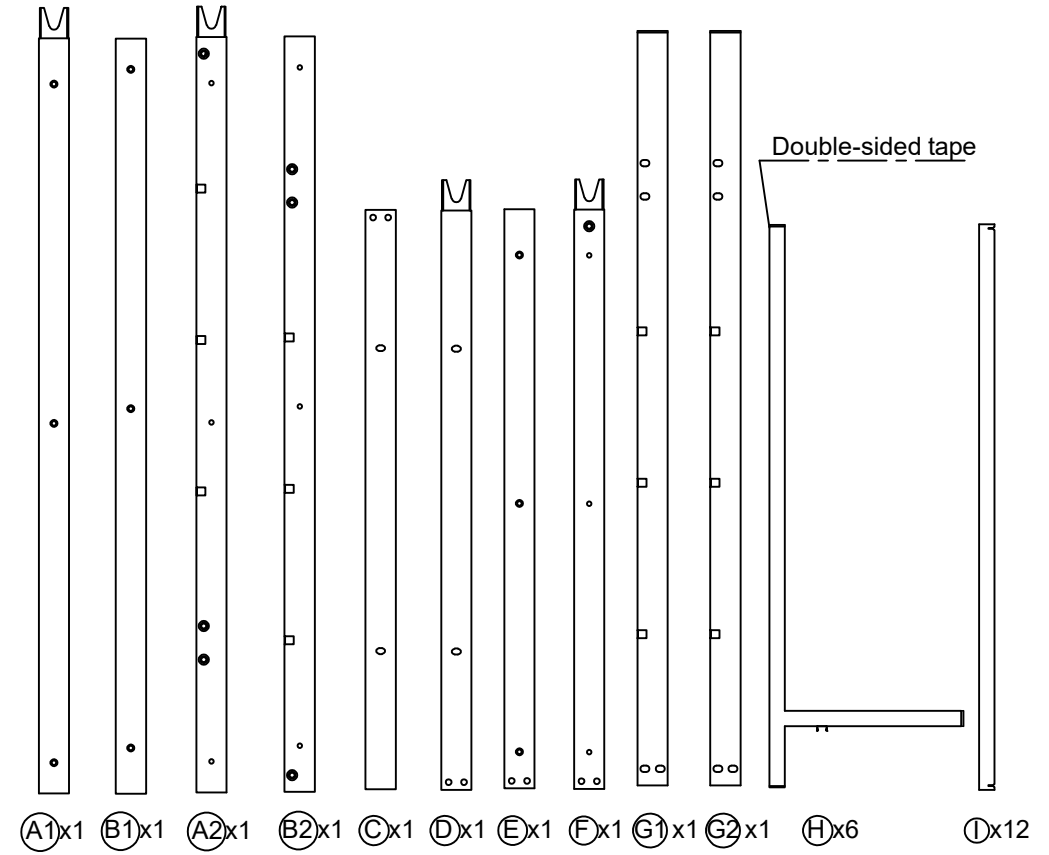
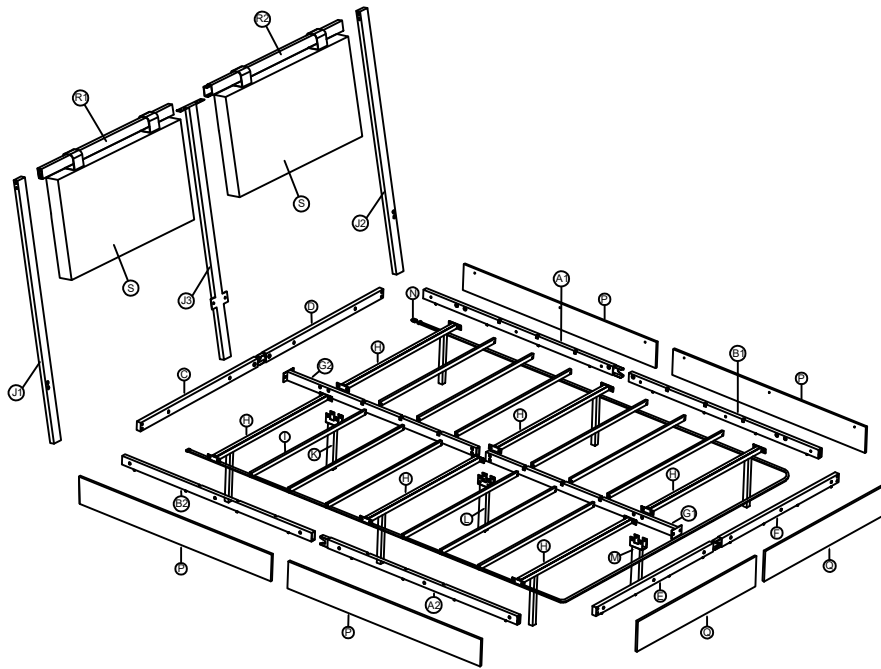


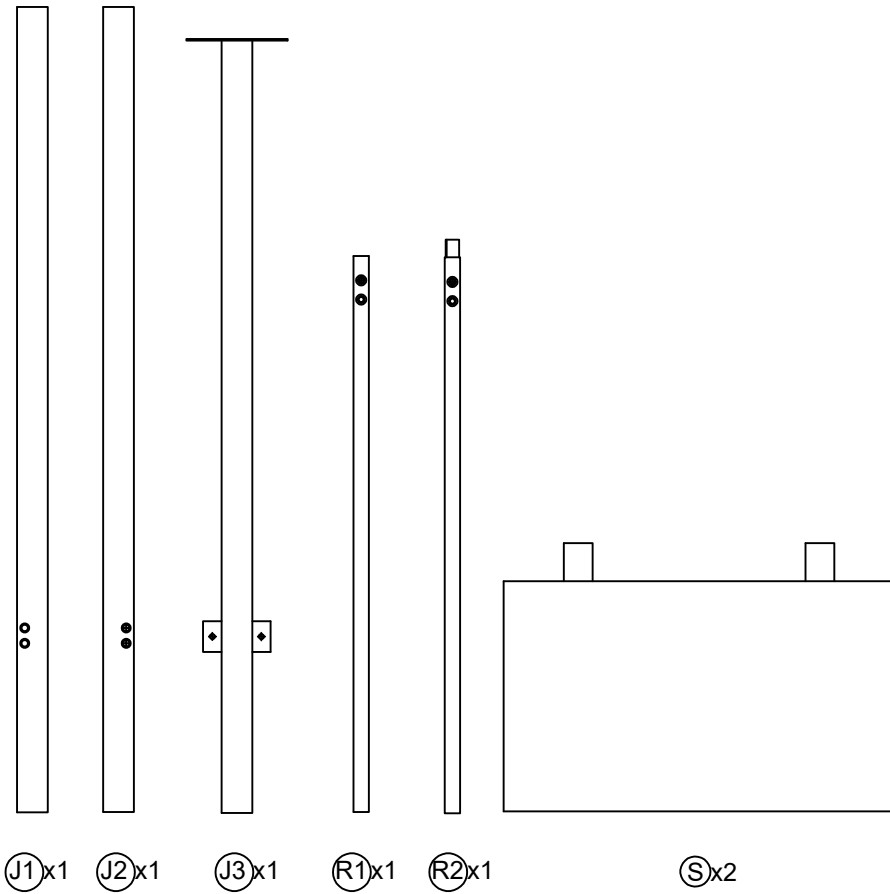
Model:C236-KD-BK+LP, C236-QD-BK+LP, C236-FD-BK+LP

PRODUCT GUIDE AND INSTALLATION MANUAL

Parts List:

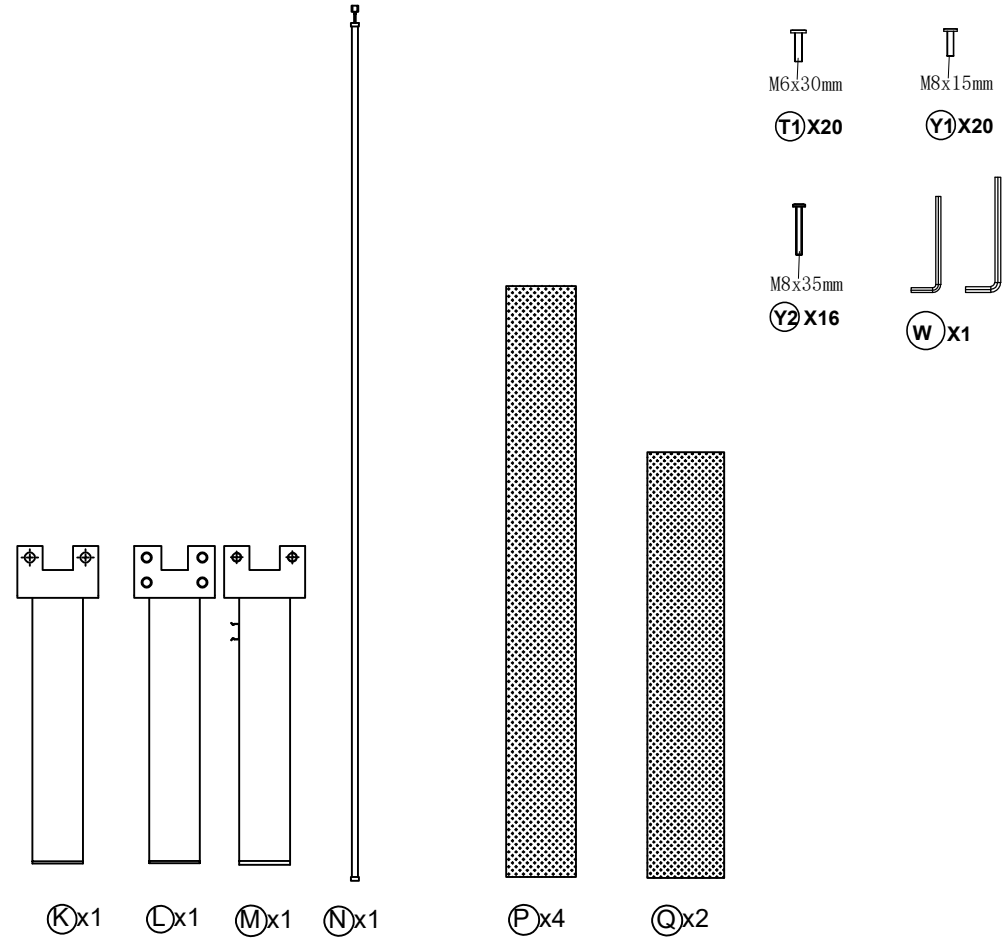


Parts List:



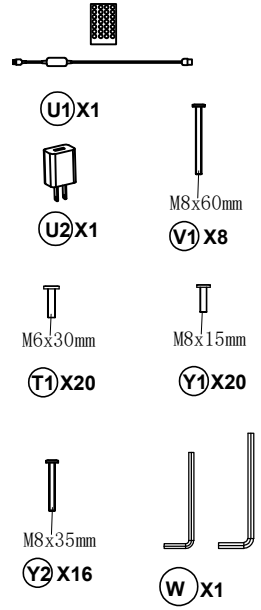
(J1)x1 (J2)x1 (J3)x1 (R1)x1 (R2)x1 (S)x2

Parts List:

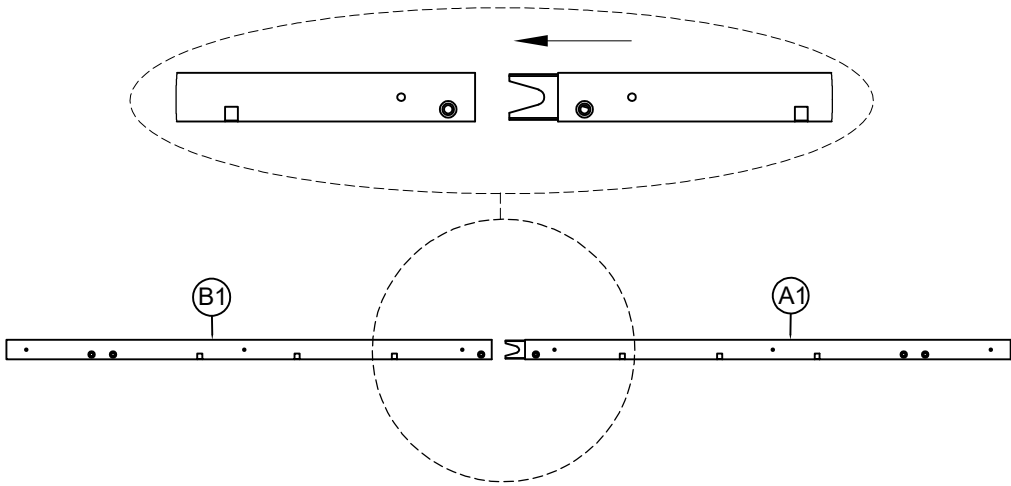


(K)x1 (L)x1 (M)x1 (N)x1 (P)x4 (Q)x2 (U1)x1 (U2)x1 (V1)x8 (T1)x20 (Y1)x20 (Y2)x16 (W)x1

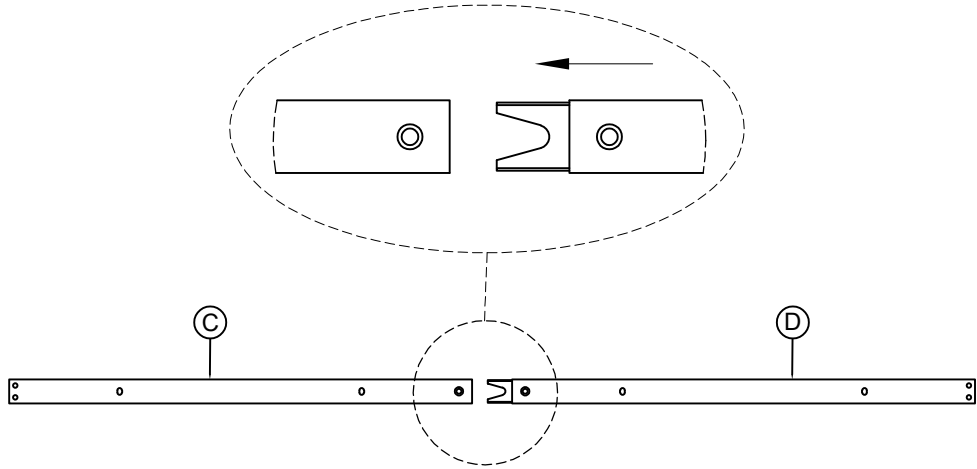
M-N-O (Lamp string)



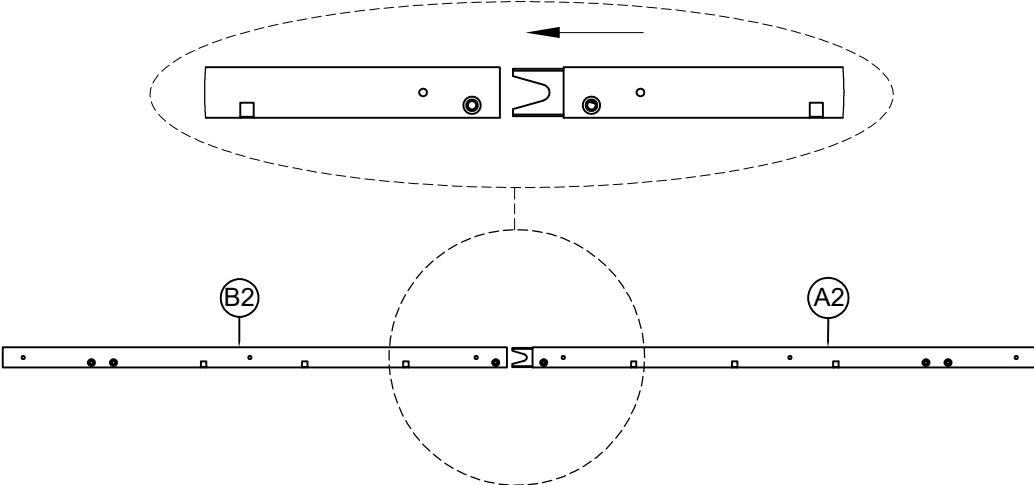
Step 1



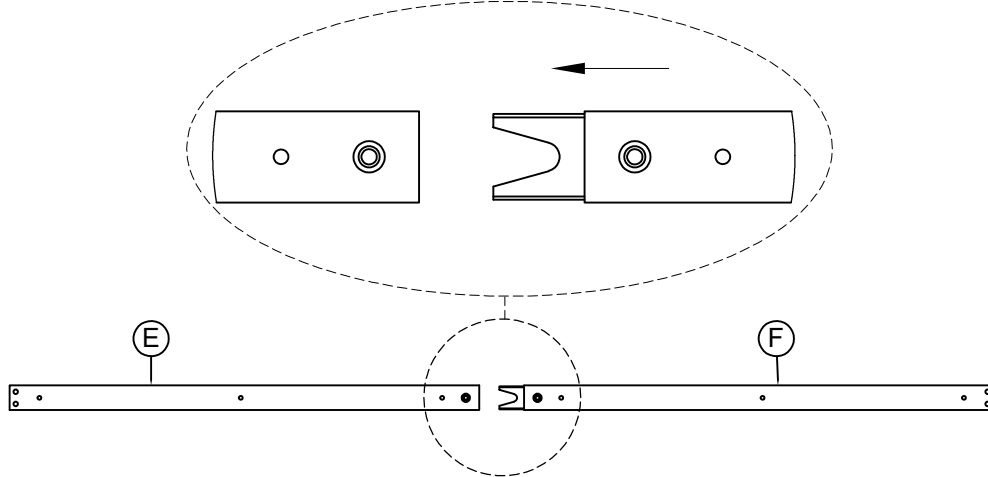
Step 3



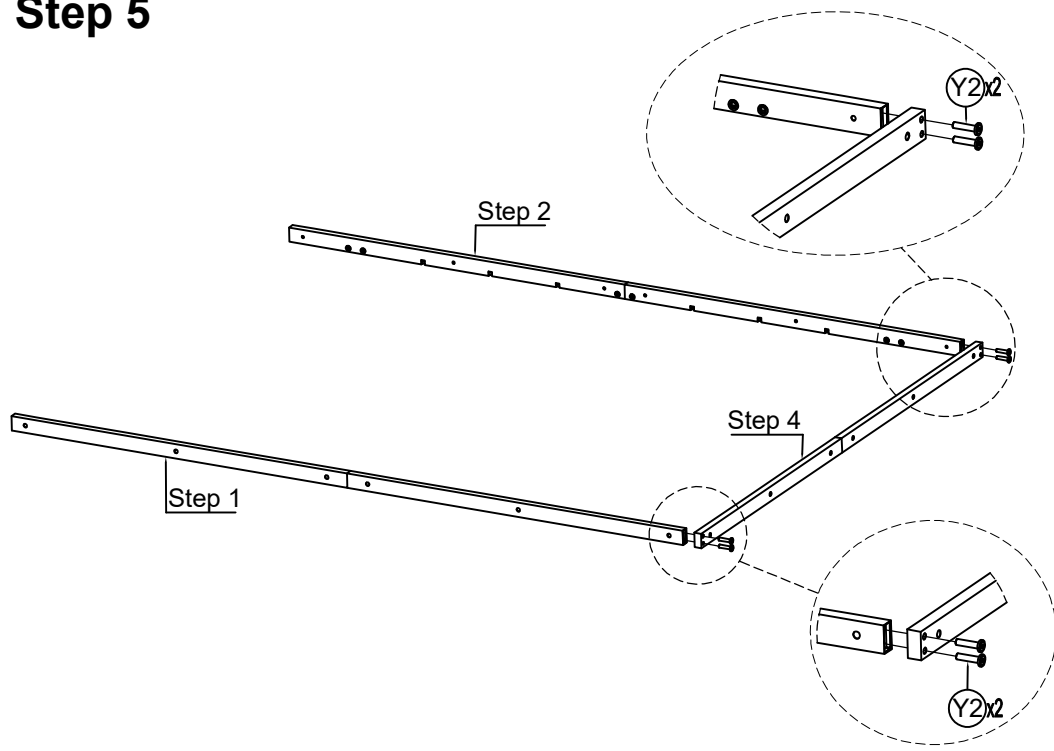
Step 2



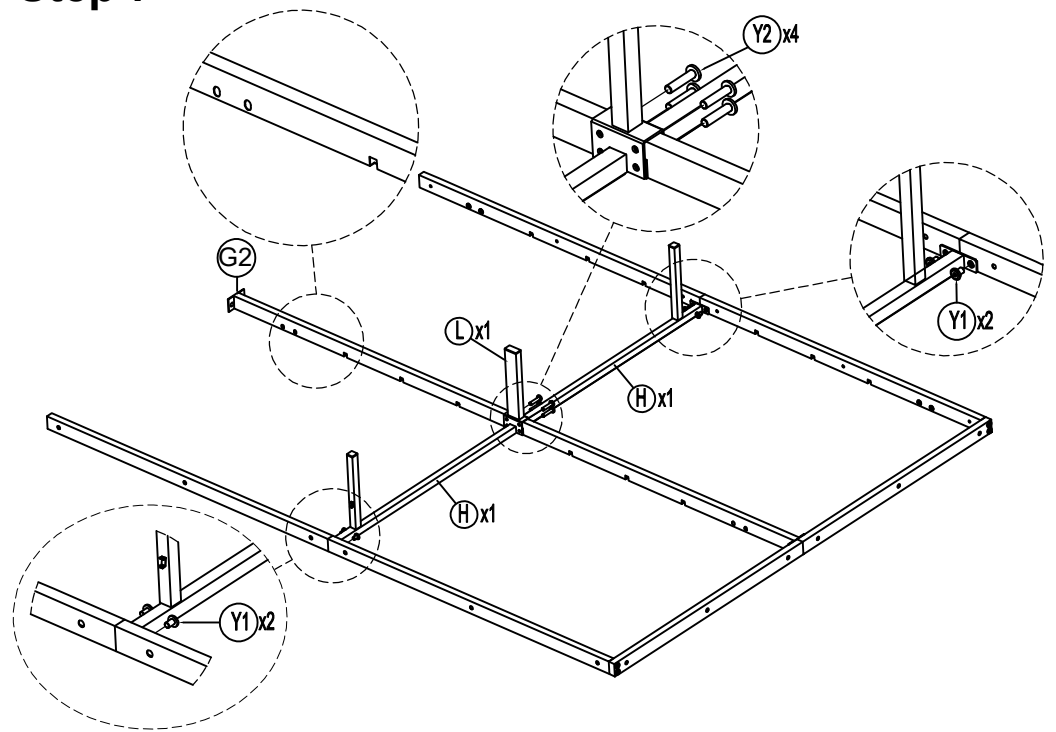
Step 4



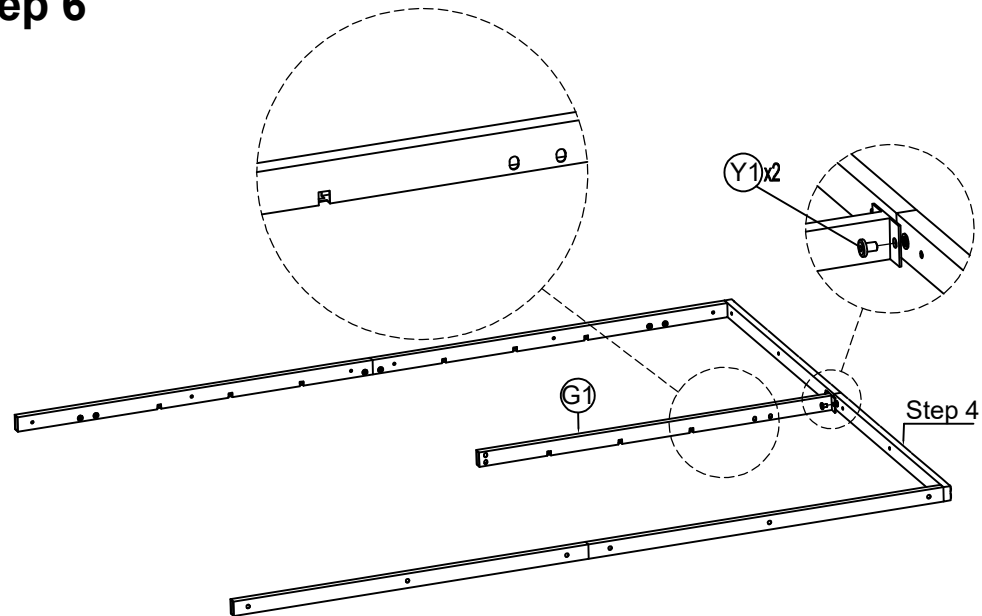
Step 5



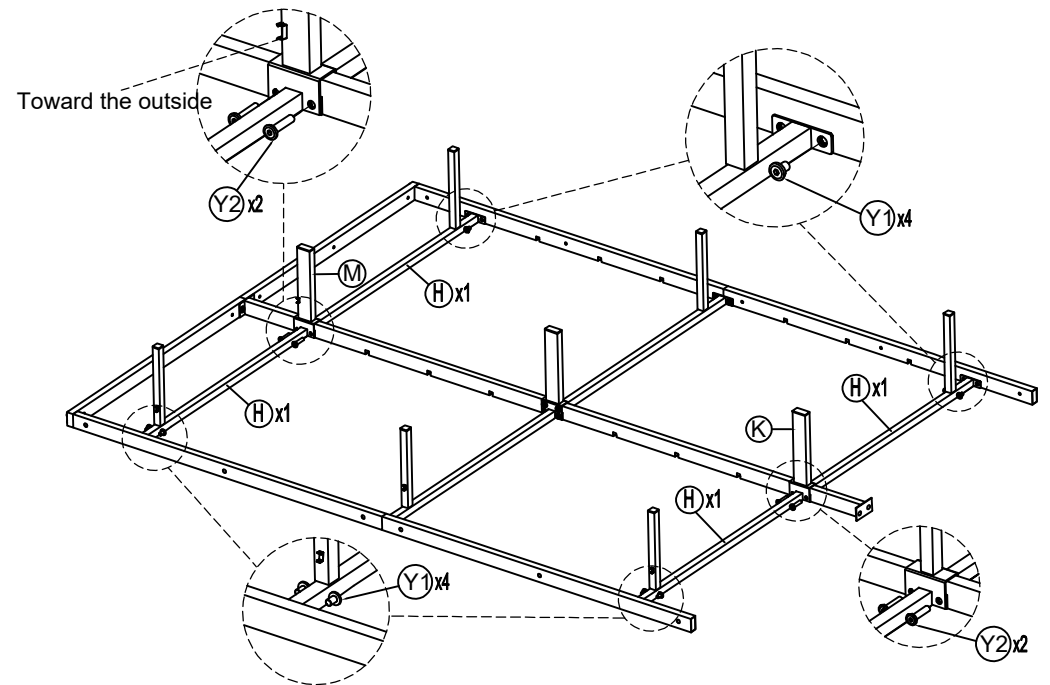
Step 7



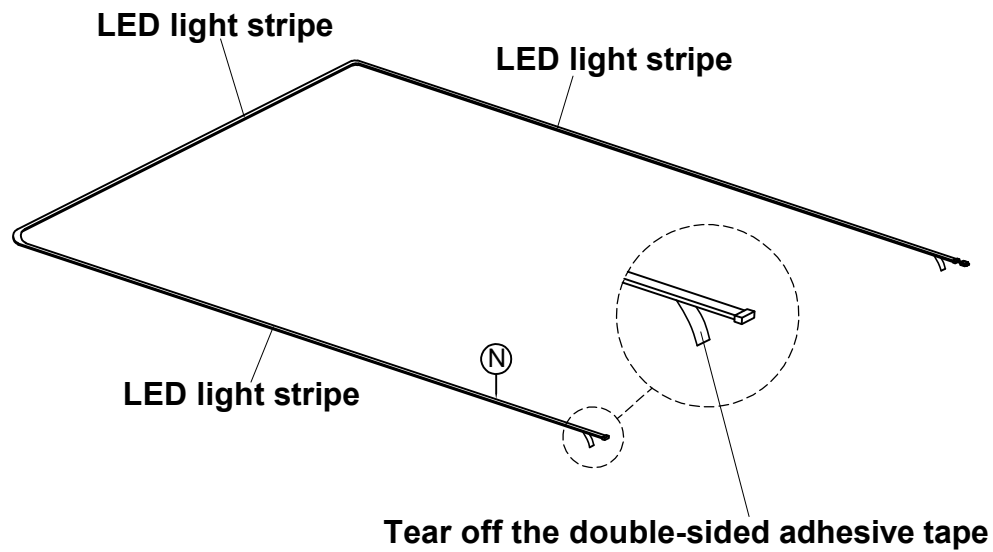
Step 6



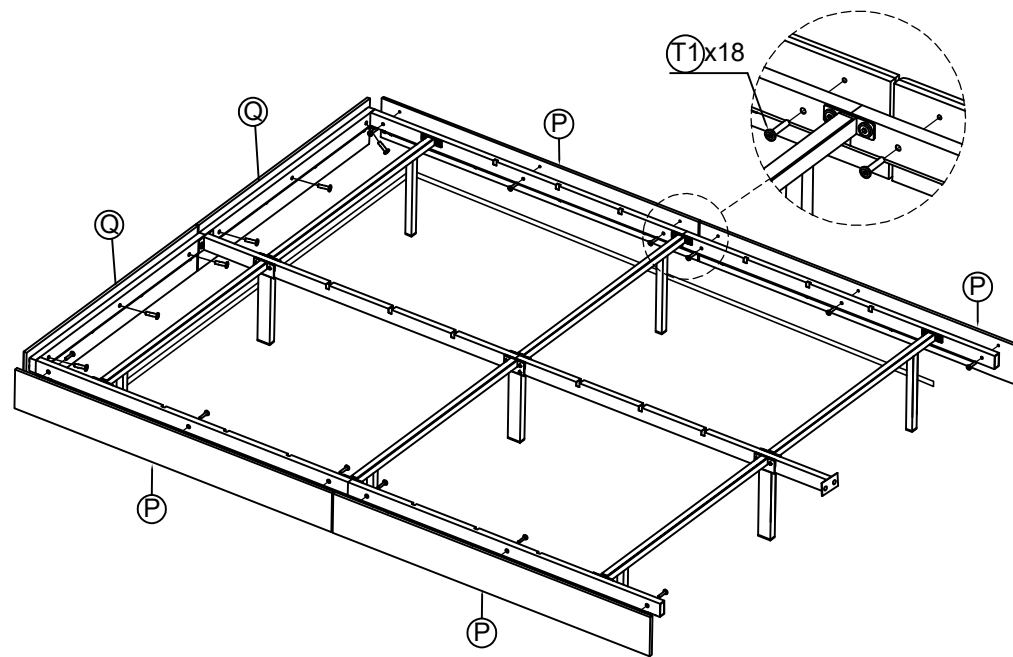
Step 8



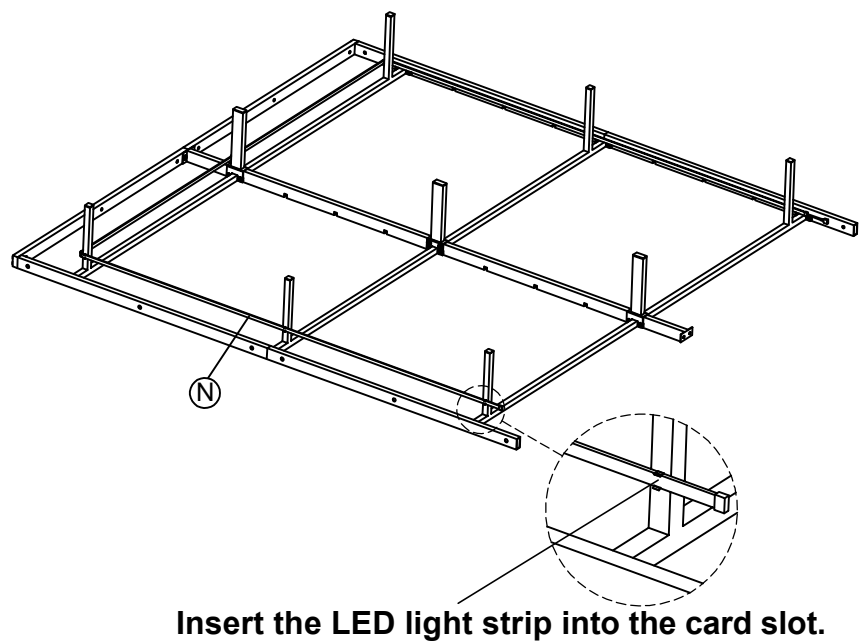
Step 9



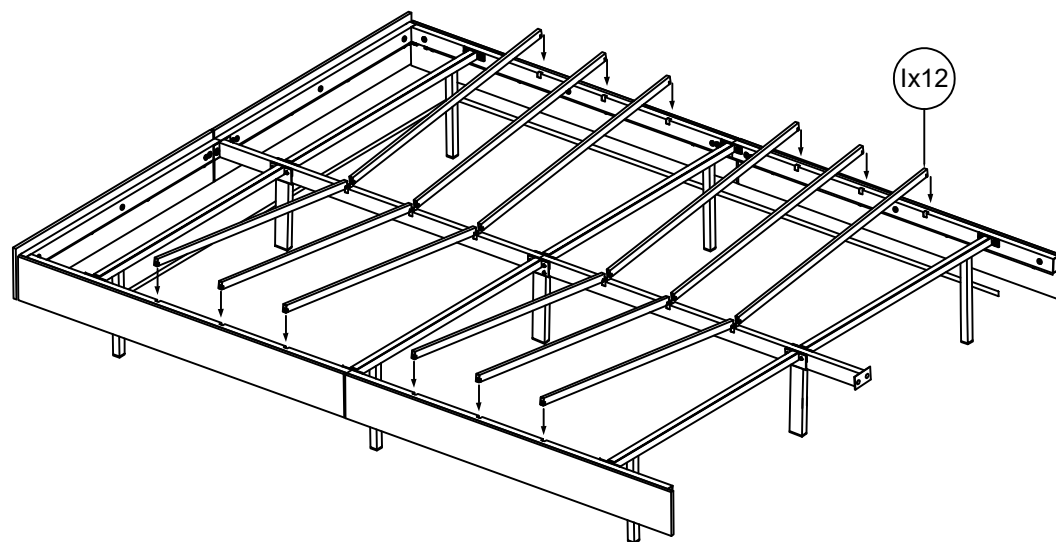
Step 11



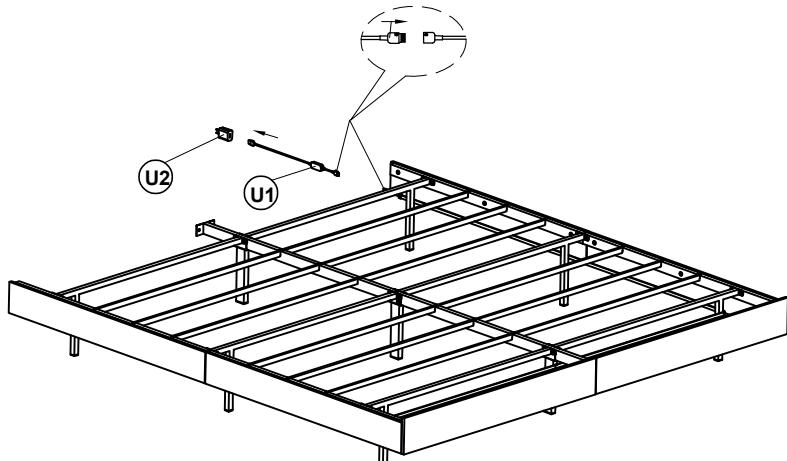
Step 10



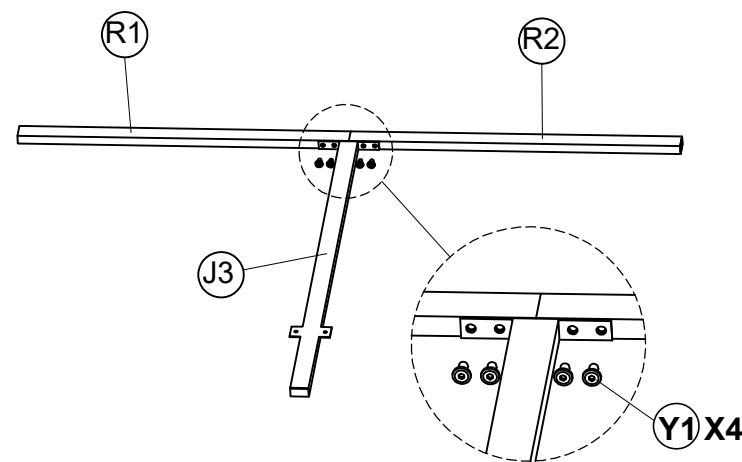
Step 12



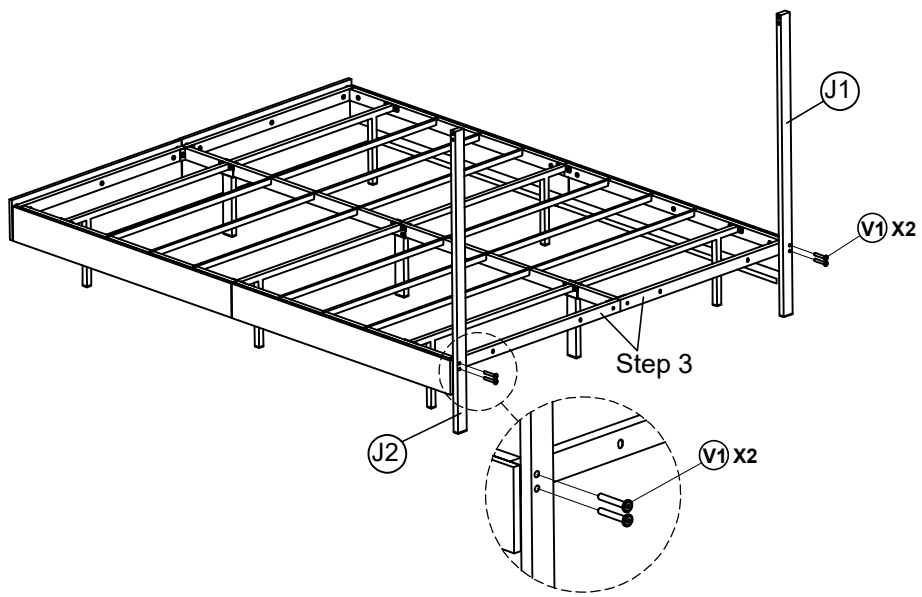
Step 13



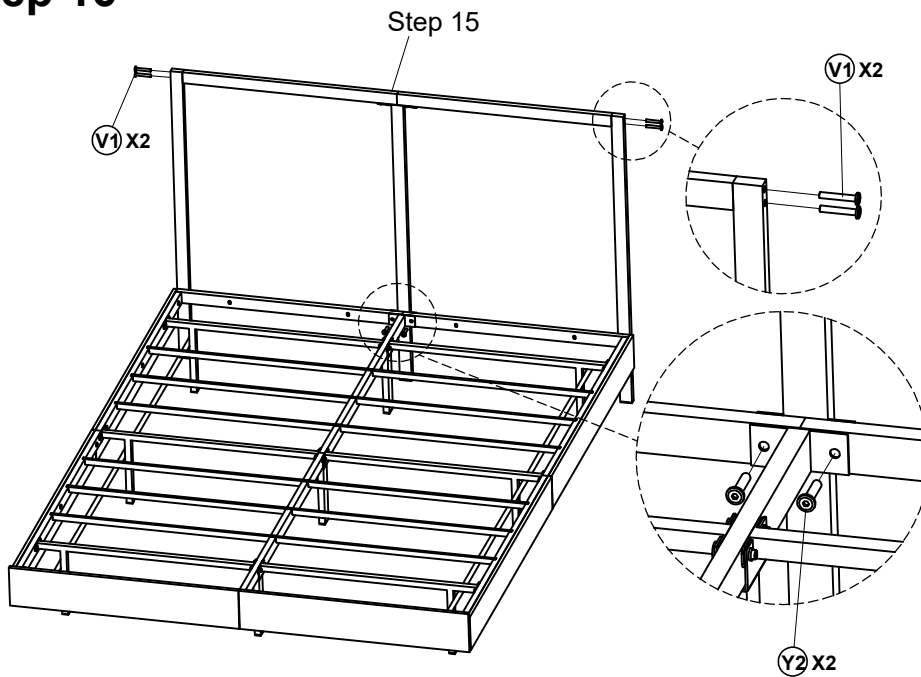
Step 15



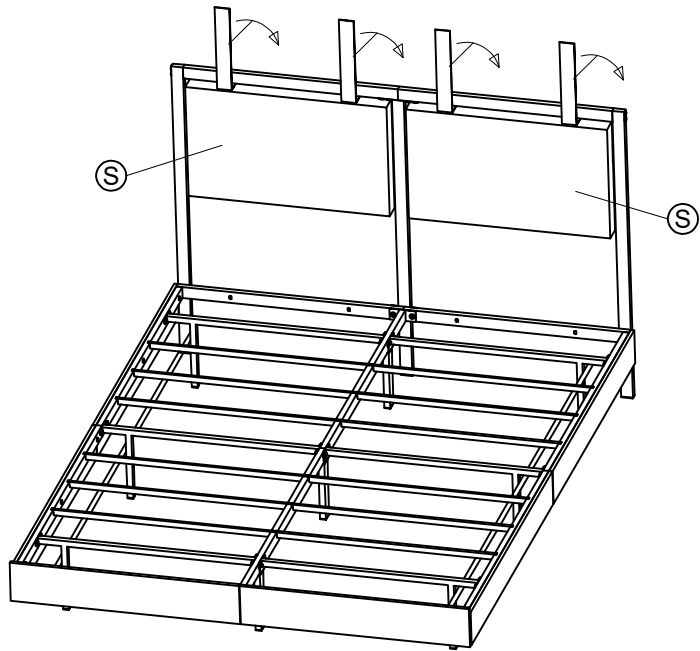
Step 14



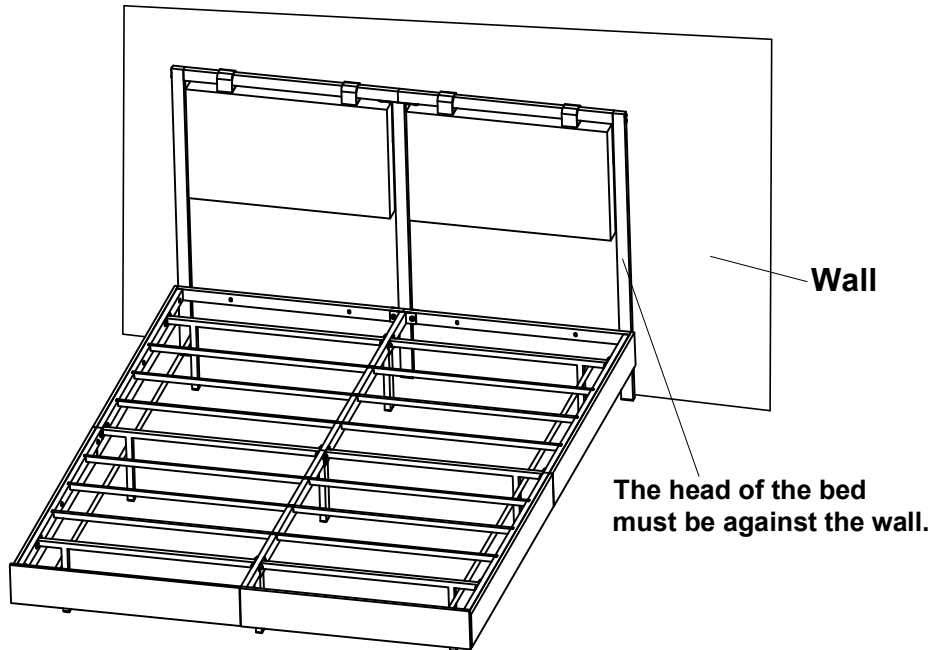
Step 16



Step 17

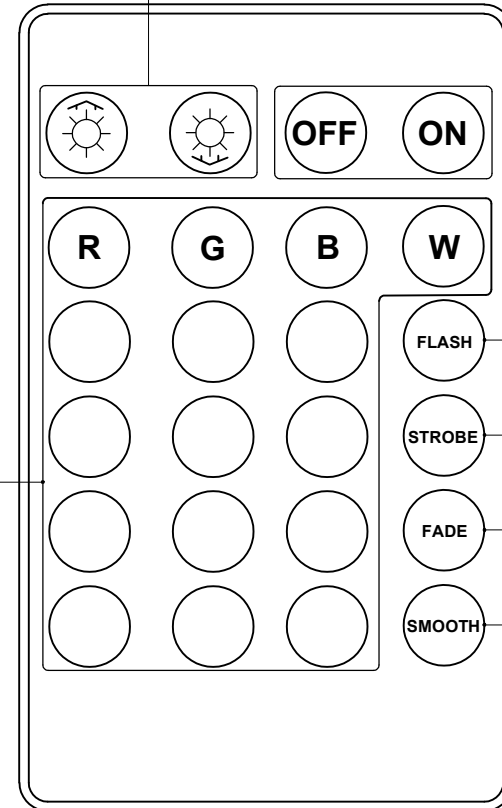


Step 18



REMOTE CONTROLLER

Bright/Speed +/-



Three color jump change

Seven color jump change

Three color gradient change

Seven color gradient change

COLOR