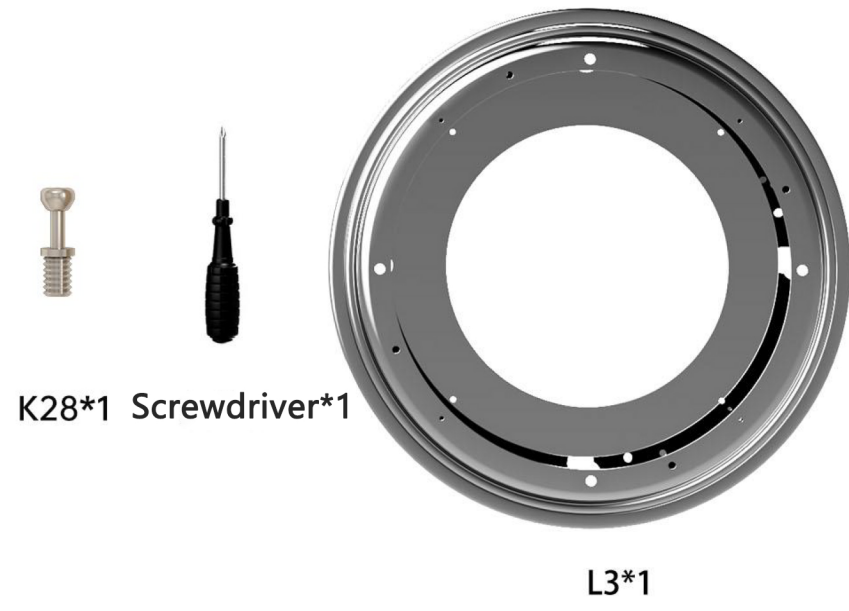


Bookshelf

Installation Process





$$\textcircled{8} * 1$$

$$\textcircled{4} * 1$$

$$\textcircled{5} * 5$$

$$\textcircled{7} * 5$$

$$\textcircled{1} * 1$$

$$\textcircled{3} * 1$$

$$\textcircled{2} * 4$$

$$\textcircled{9} * 2$$

$$\textcircled{11} * 1$$

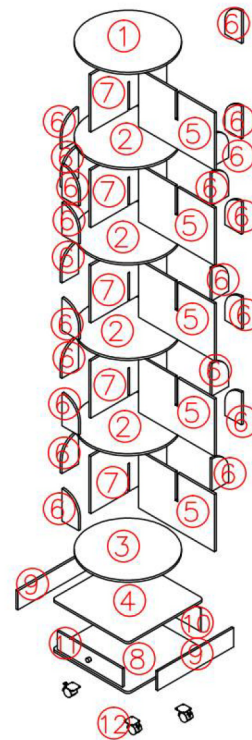
$$\textcircled{10} * 1$$

$$\textcircled{6} * 20$$

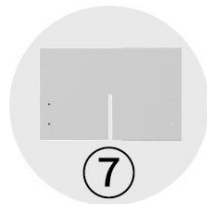
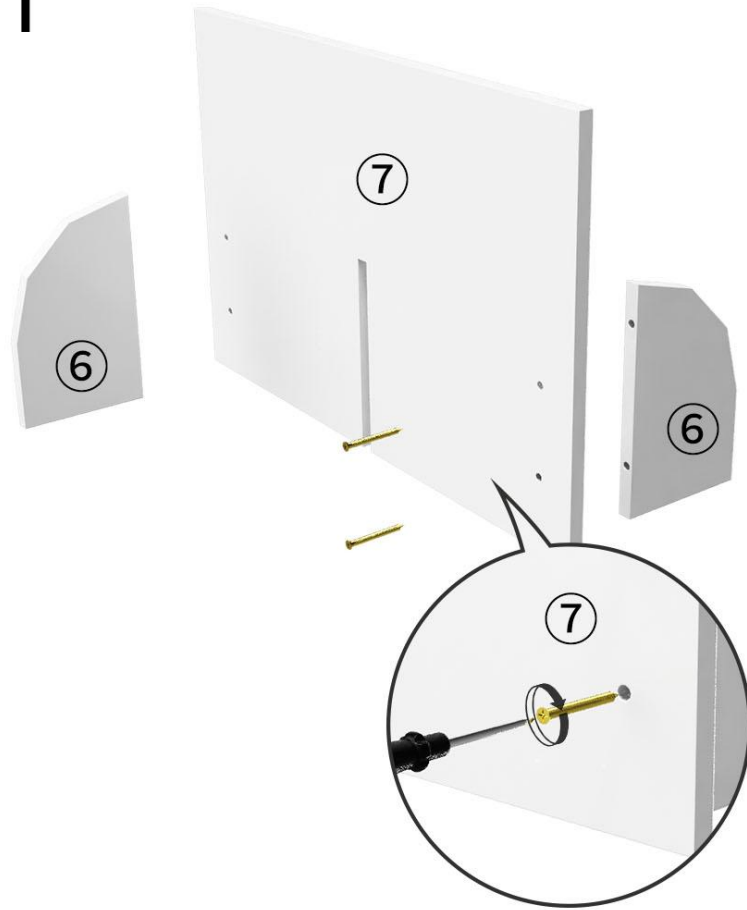
Presentation of finished product



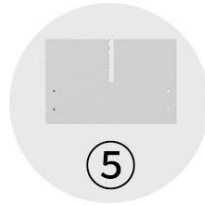
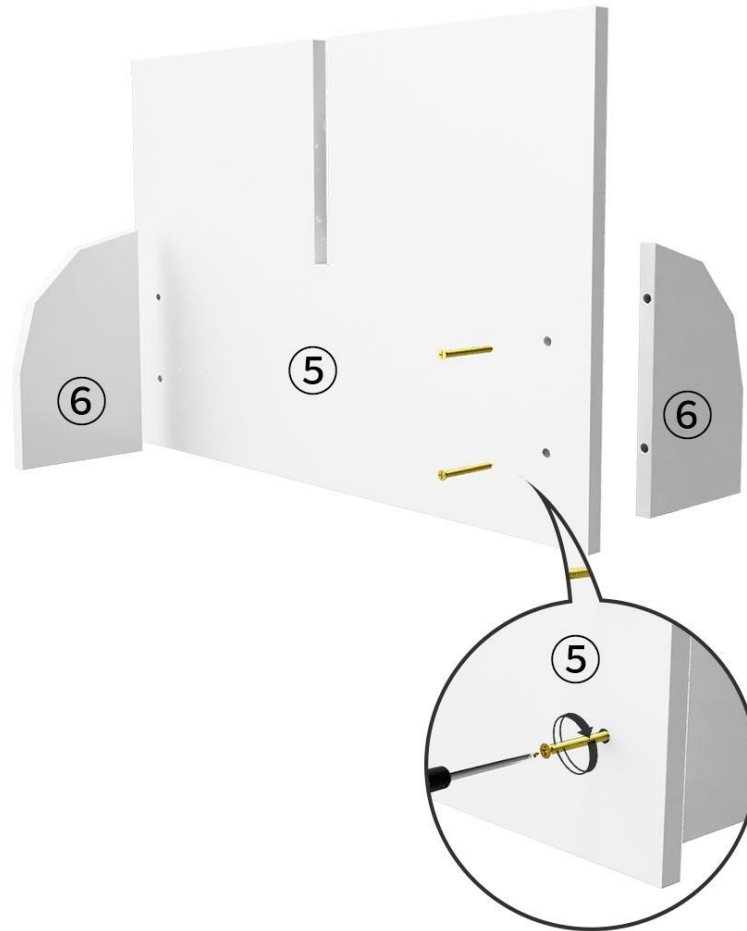
Product Split Diagram



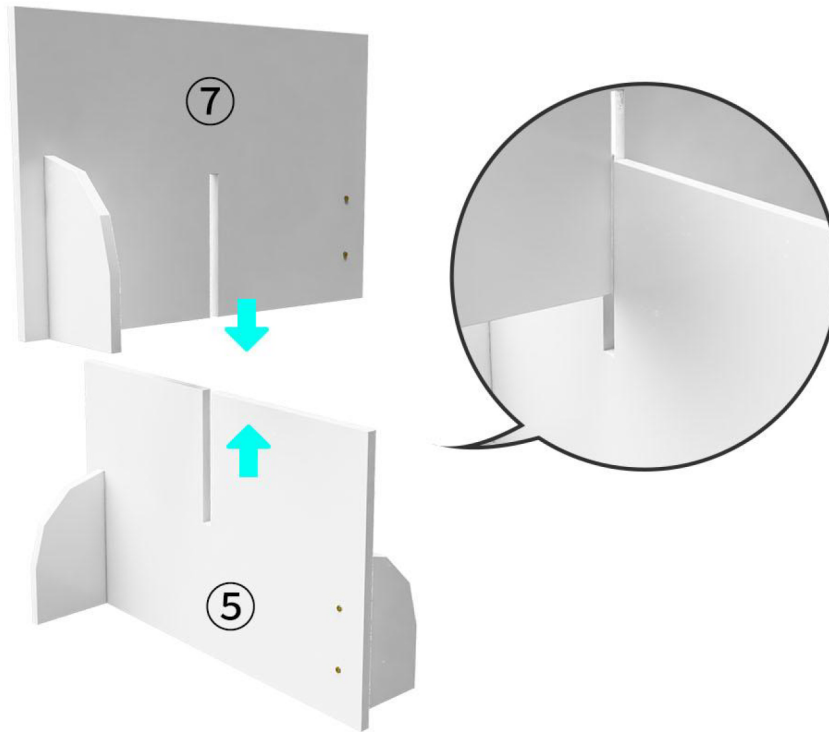
1



2

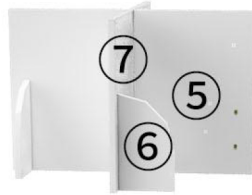


3

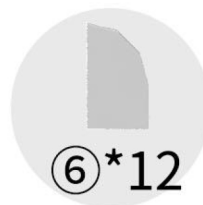
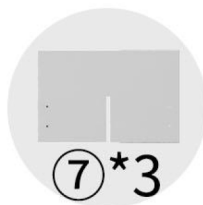


Put the plates from step 1 and 2 together to get a shelf.

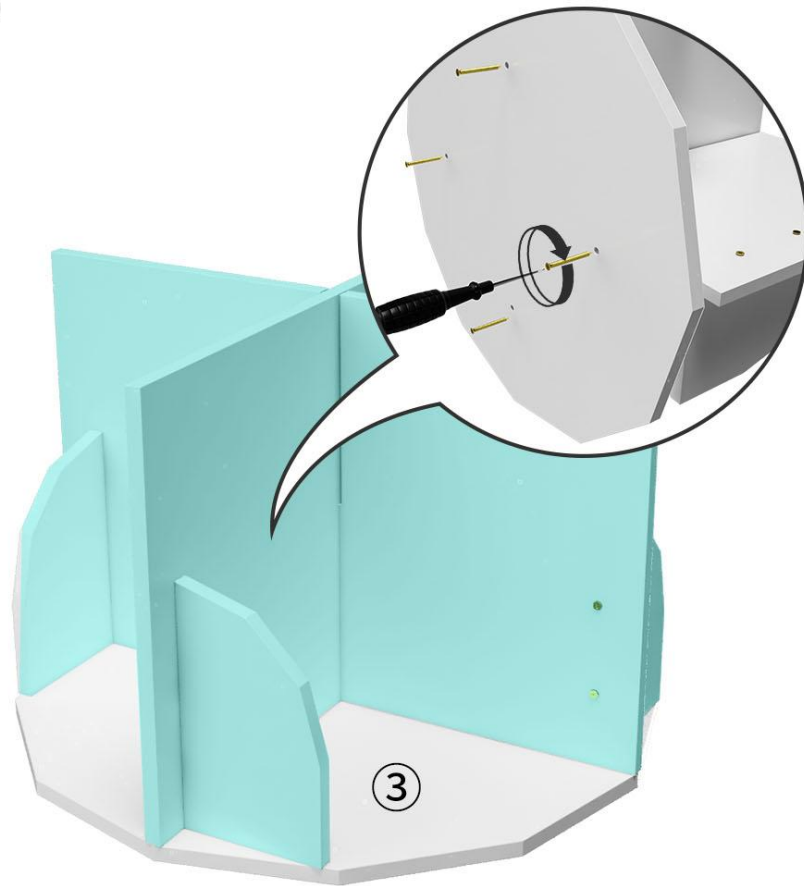
4



Repeat steps 1, 2, and 3 to get four racks.



5



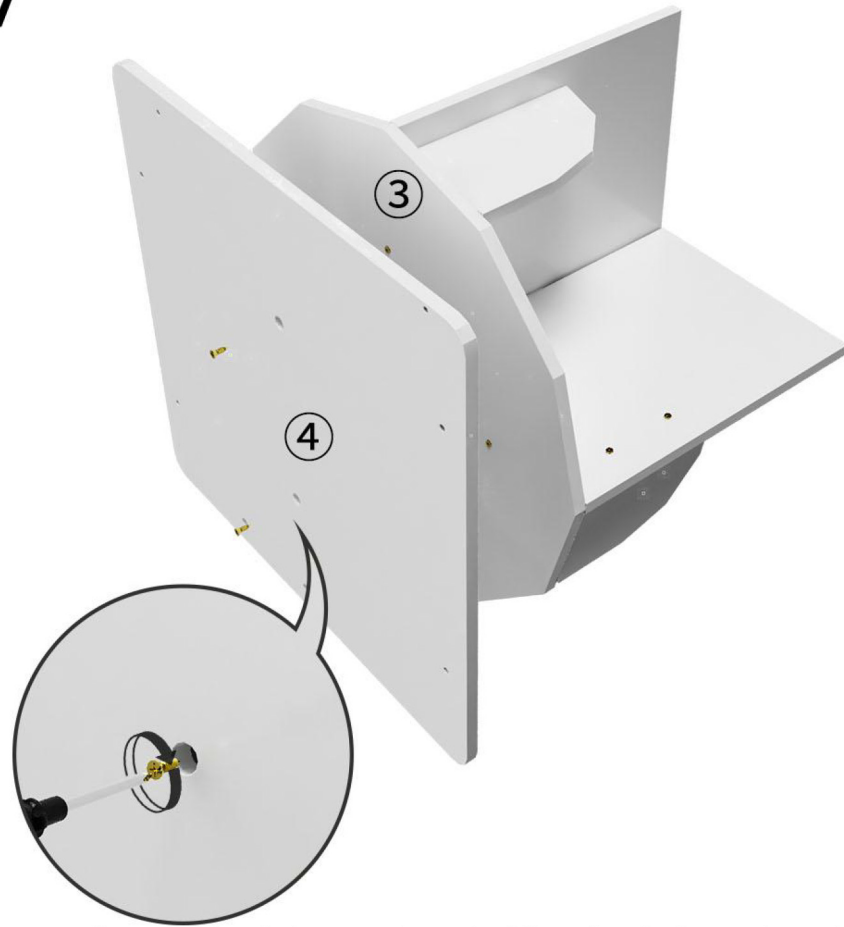
6



Align the large holes in the turntable with the large holes in the ④ board, then screw the small screws into the small holes to lock them in place



7



Reverse the ④ bottom board, Align the ③ ④ two boards

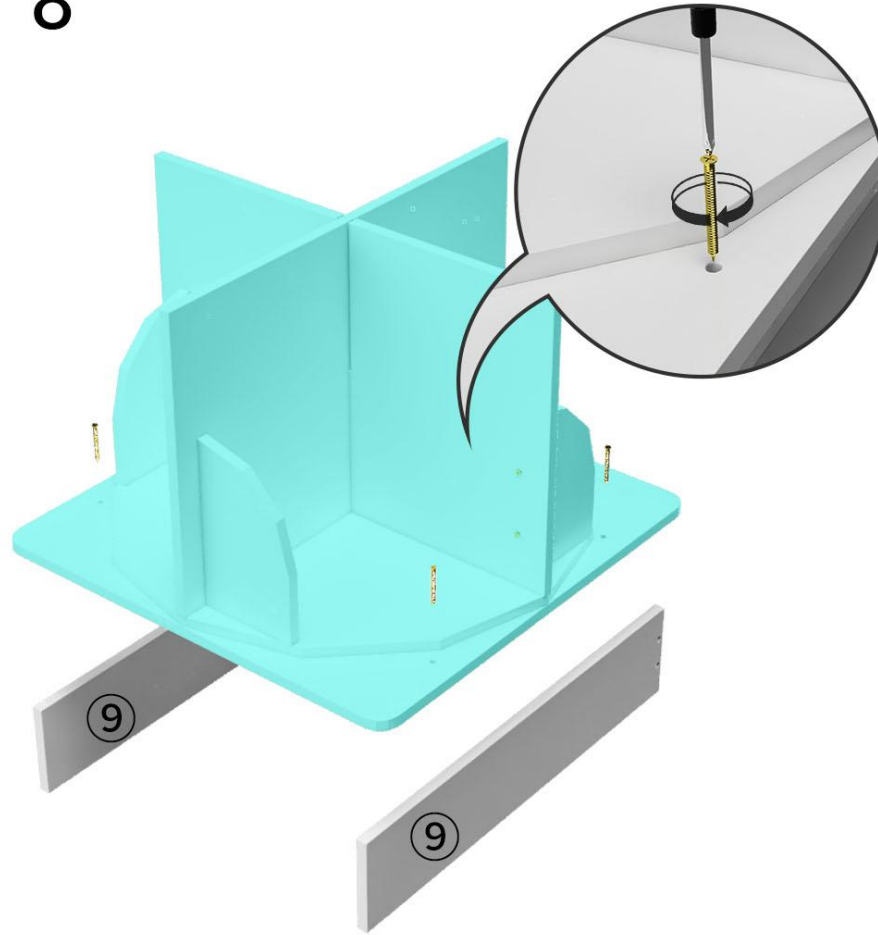
Rotate the turntable and find the small holes at the large

holes to screw in the screws

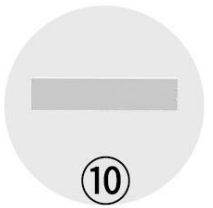
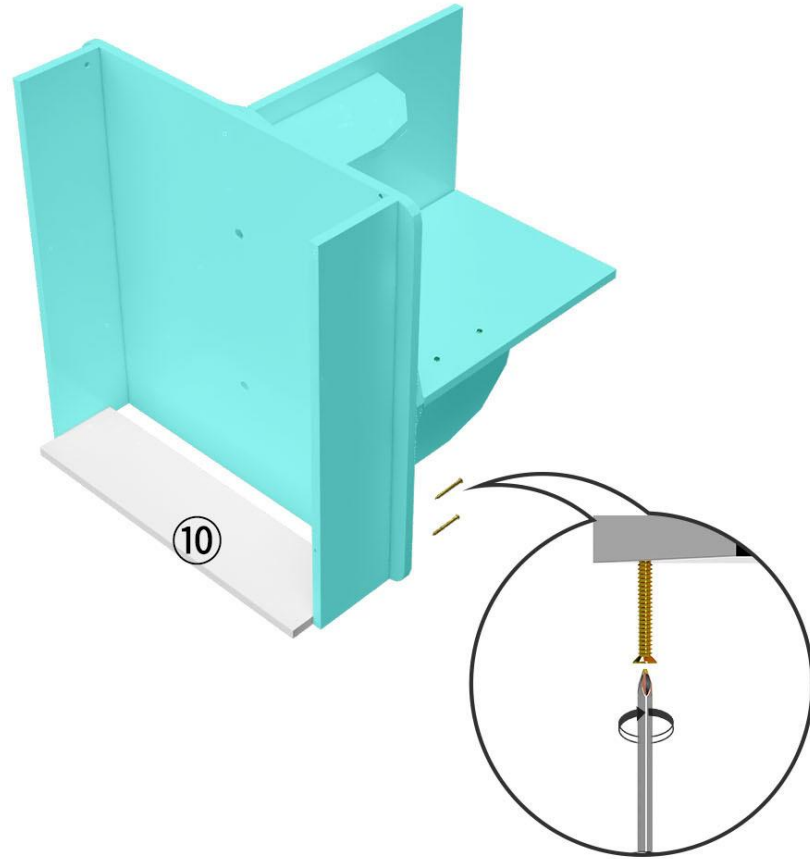


A16*2

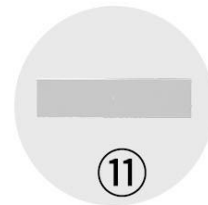
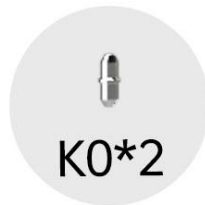
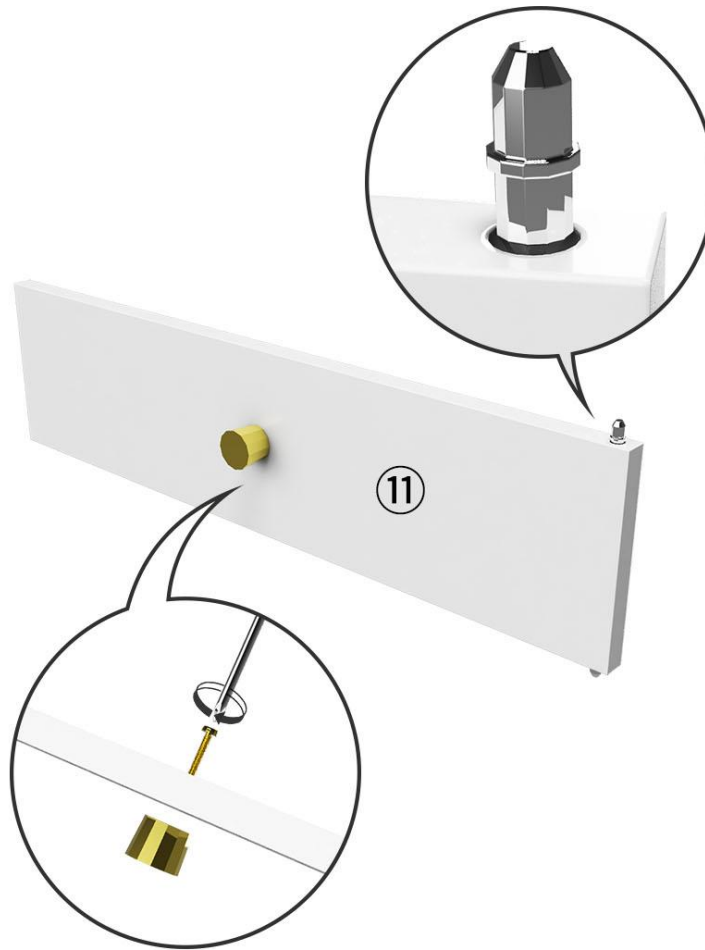
8



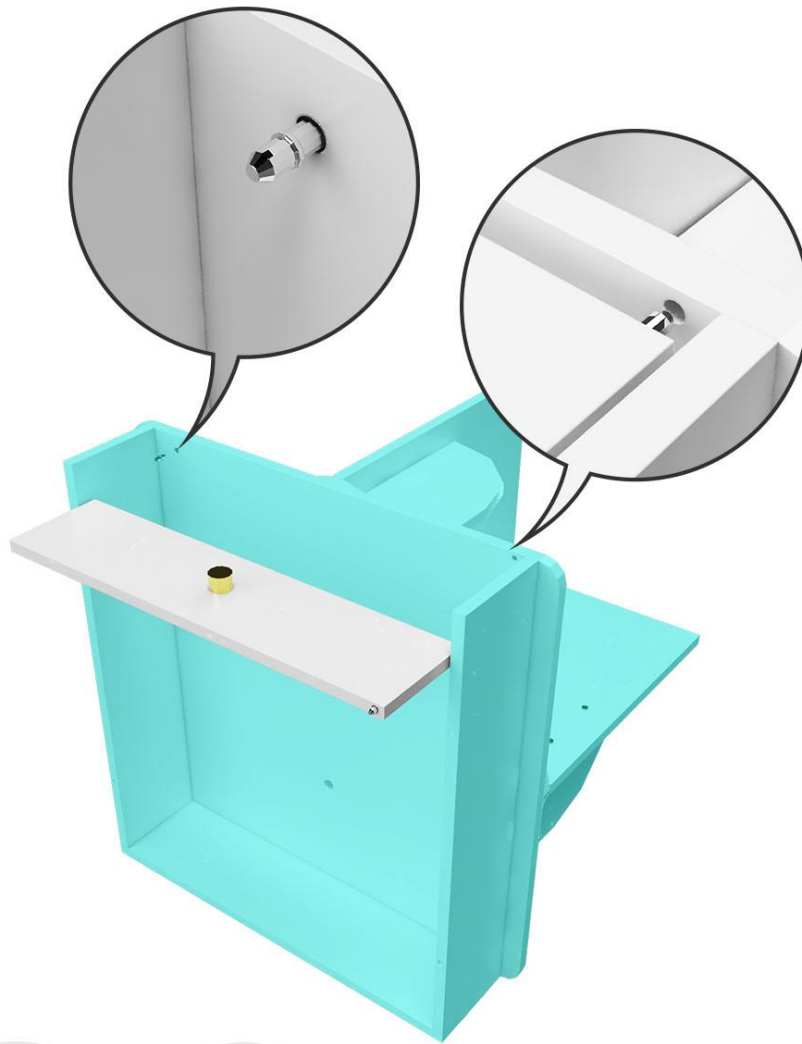
9



10



11

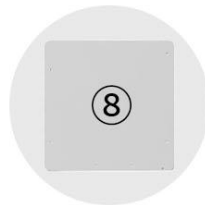
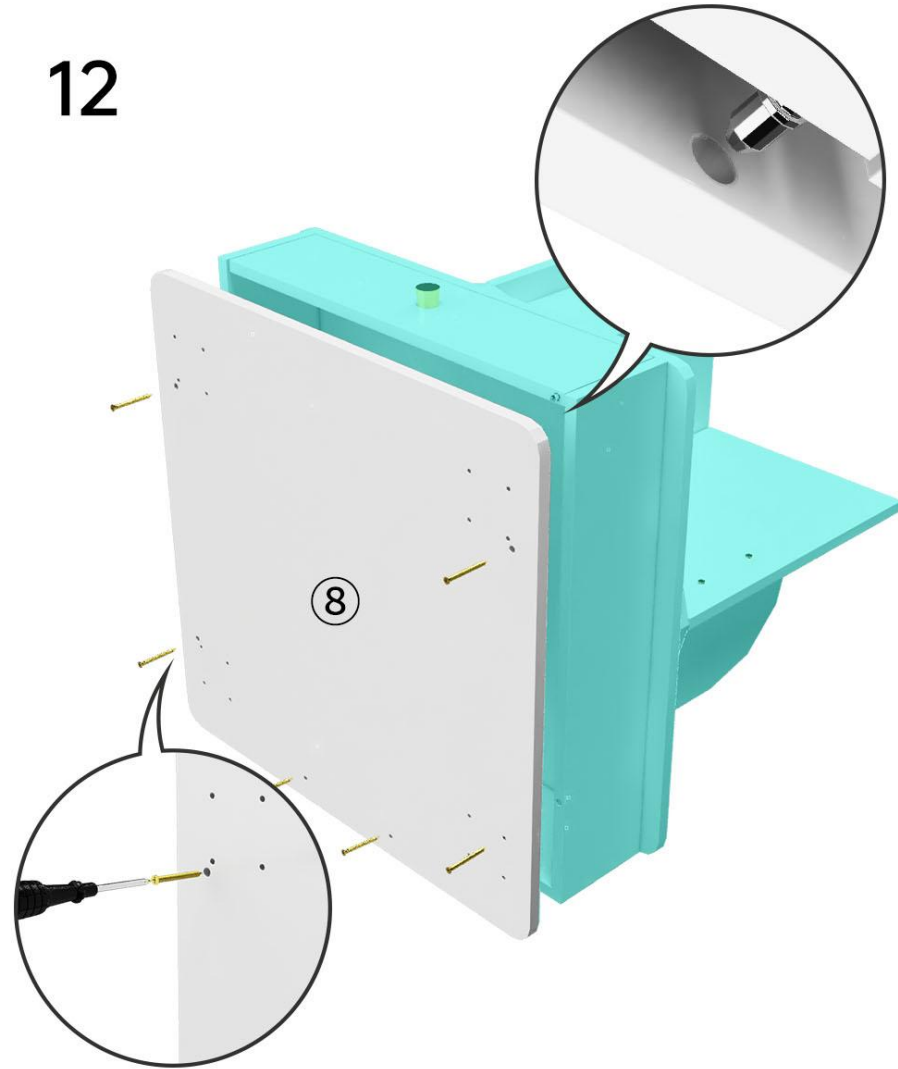


K0*1

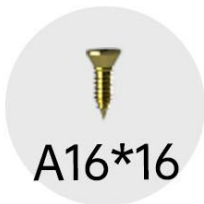
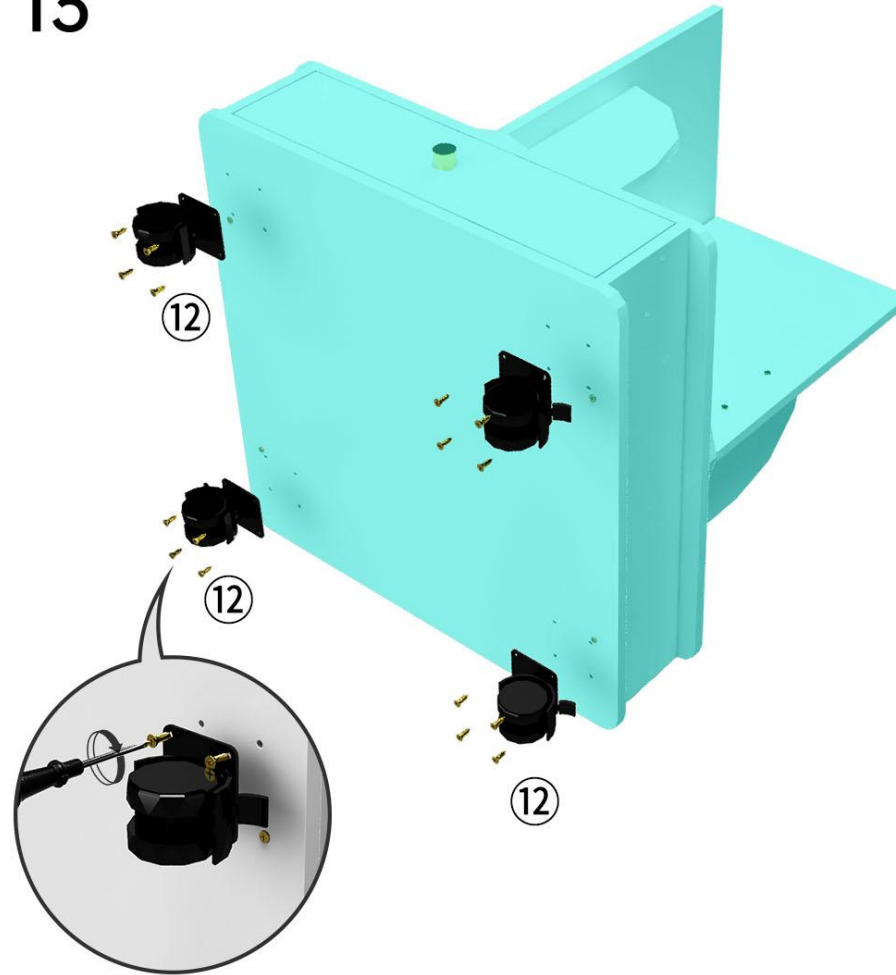


K28*1

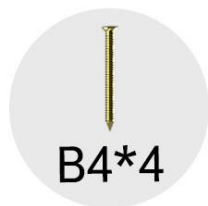
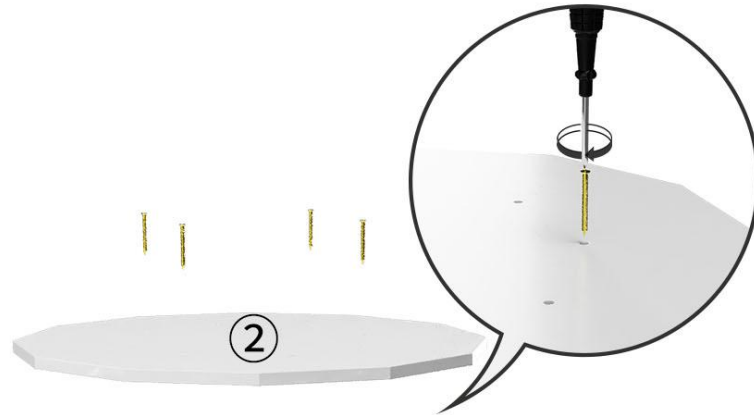
12



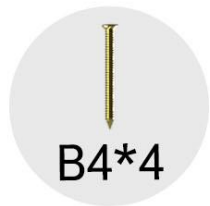
13



14

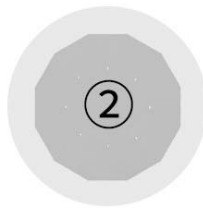
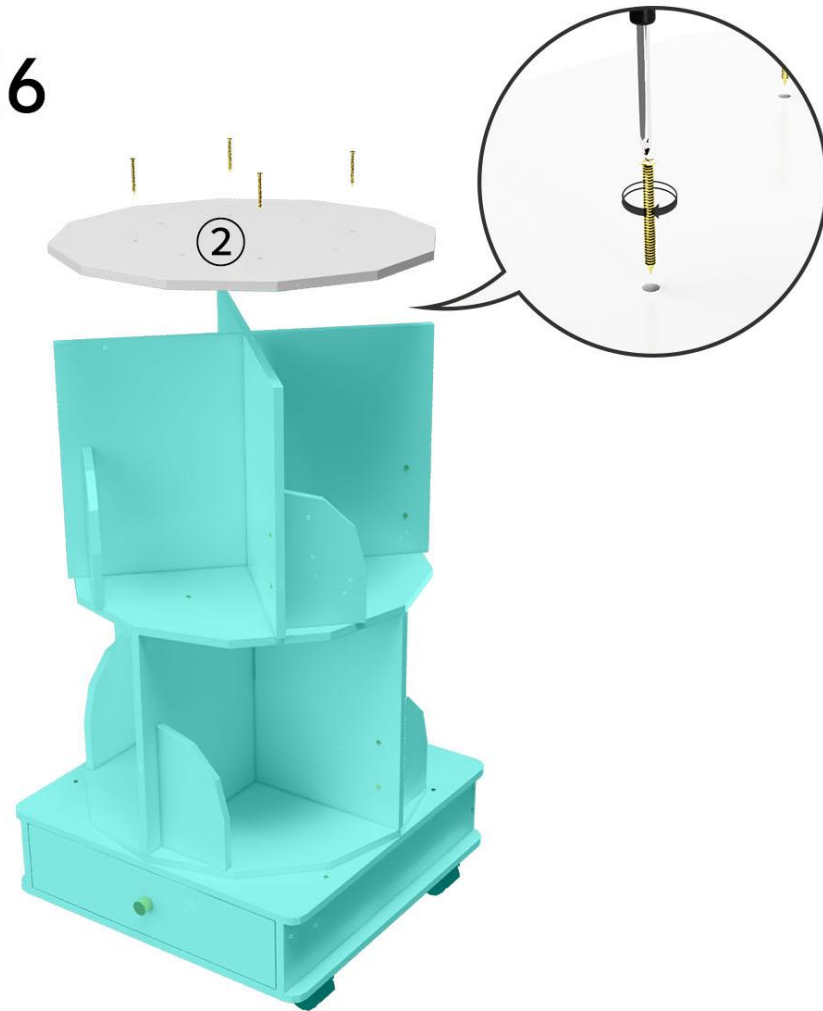


15

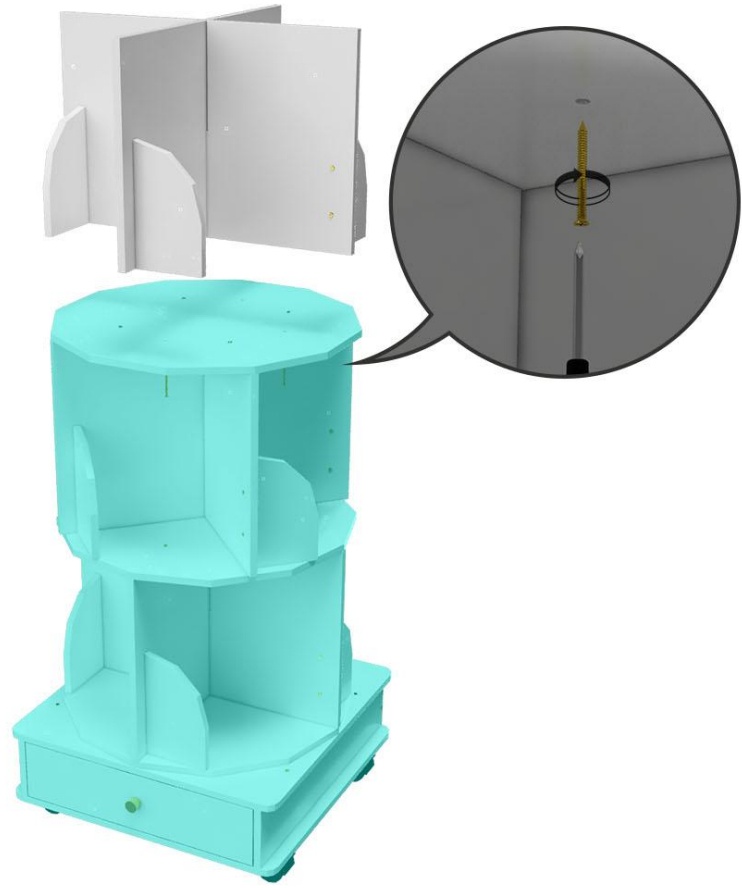


B4*4

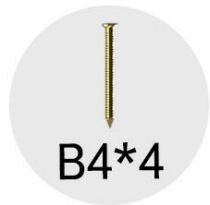
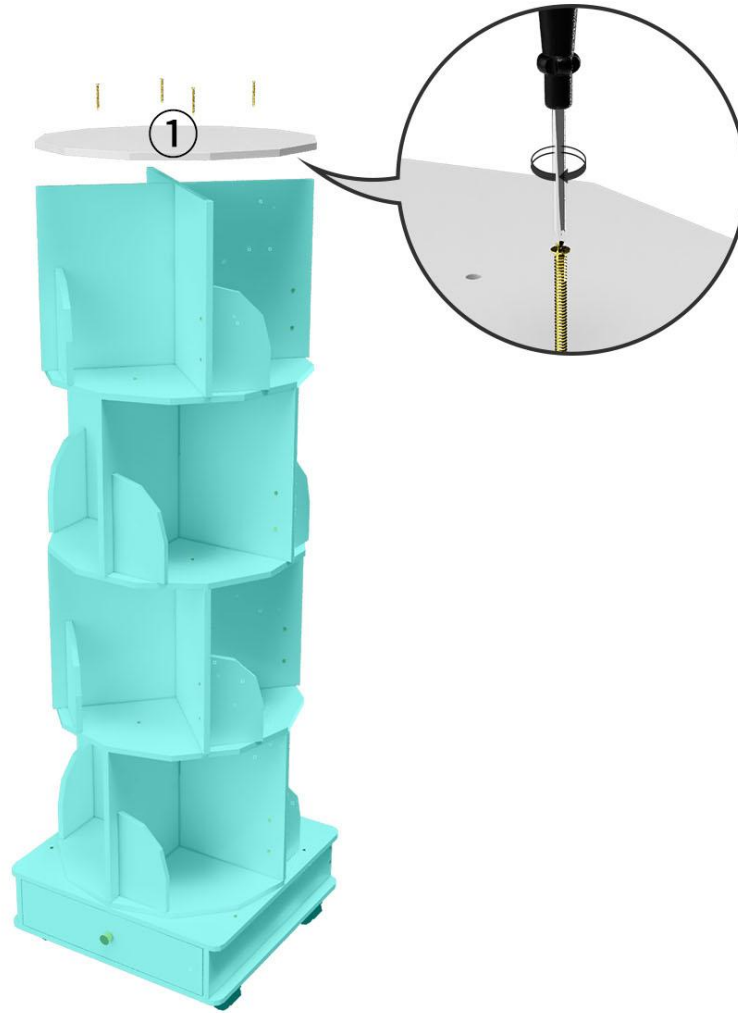
16



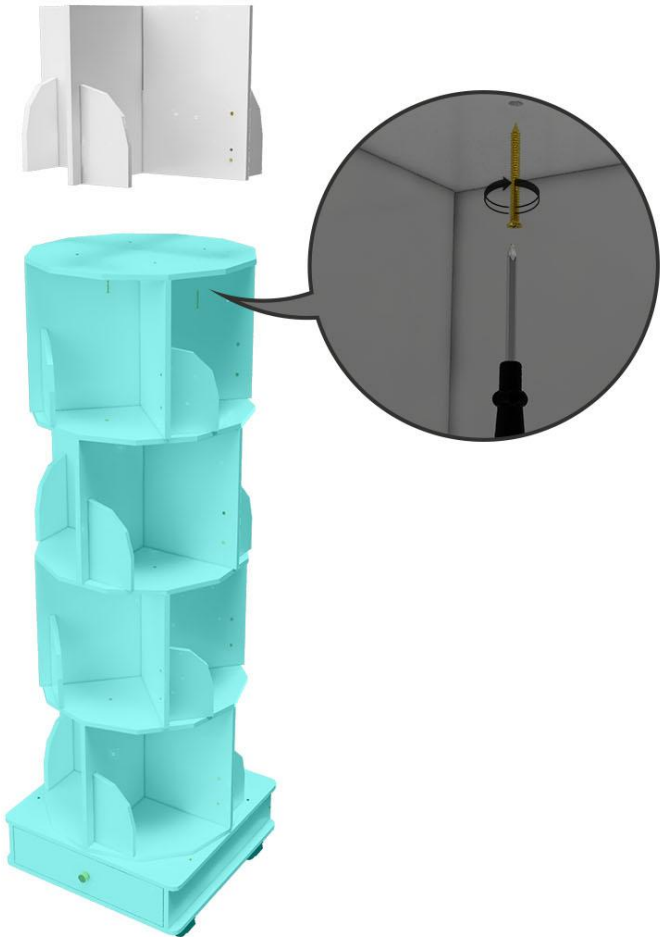
17



18



19



20

