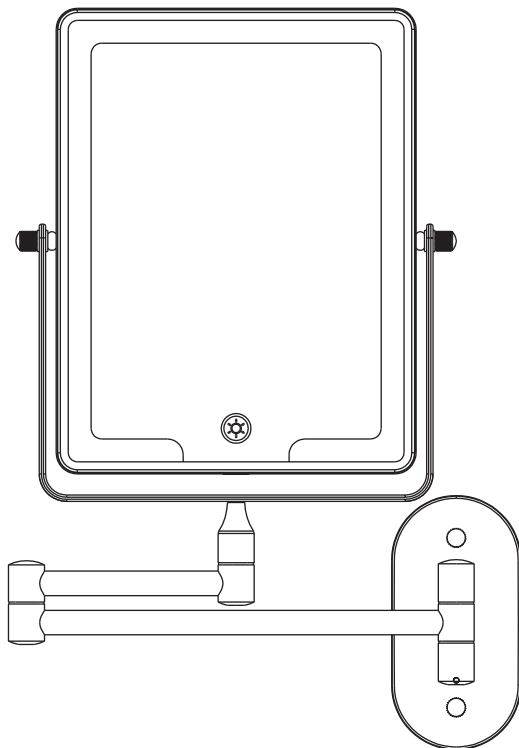


Wall Mounted Lighted Makeup Vanity Mirror



USER MANUAL

Wall Mounted Lighted Makeup Vanity Mirror

INSTALLATION

IMPORTANT SAFETY INSTRUCTION

⚠ WARNING – TO REDUCE THE RISK OF BURNS, FIRE, ELECTRIC SHOCK OR INJURY TO PERSONS:

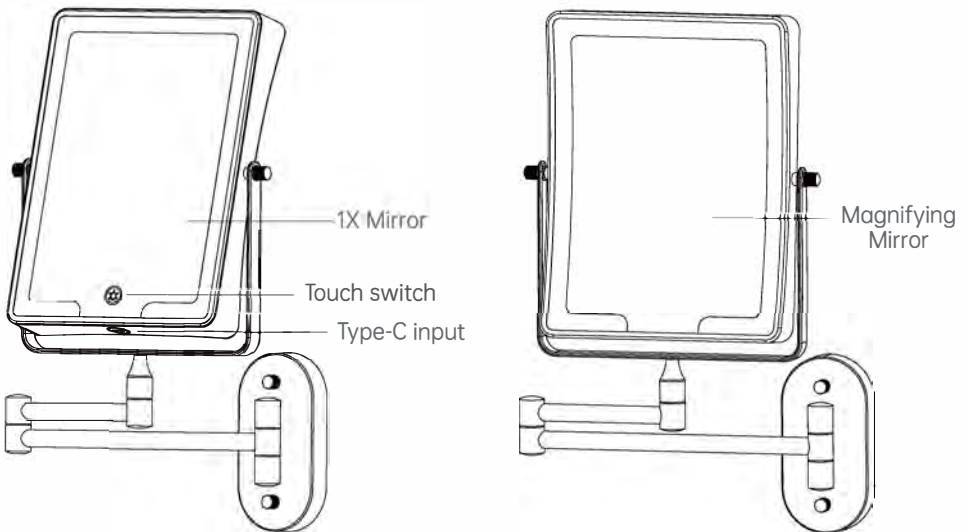
- Read all instructions carefully before use.
- Provide close supervision when the mirror is being used near children or disabled persons.
- Use the mirror only for its intended use as described within the manual. Do not use attachments not recommended by manufacturer.
- Do not disassemble the mirror.
- Be sure mirror is not in a position where it can reflect sunlight. Reflected sunlight can cause fire.
- This appliance is not a toy, keep it away from children.
- Do not operate where aerosol (spray) products are being used or where oxygen is being administered.
- The light source of this luminaire is not replaceable; when the light source reaches its end of life the whole luminaire shall be replaced.

PLEASE SAVE THESE INSTRUCTIONS FOR FUTURE REFERENCE

Wall Mounted Lighted Makeup Vanity Mirror

INSTALLATION

SPECIFICATIONS



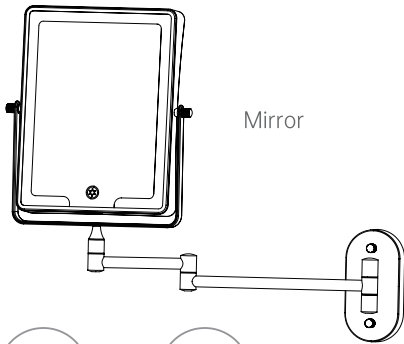
- Wall Mounted Lighted Makeup Vanity Mirror
- Magnifying Mirror and 1X mirror
- Rechargeable 2500mAh battery
- Dimmable with touch switch
- Color Temperature: 3500K-7000K±500K
- Material: Metal+Glass
- Input: 5V/1A

Wall Mounted Lighted Makeup Vanity Mirror

INSTALLATION

ACCESSORIES AND DIMENSIONS

PARTS INCLUDED



Screws



Expansion Screws



User Manual

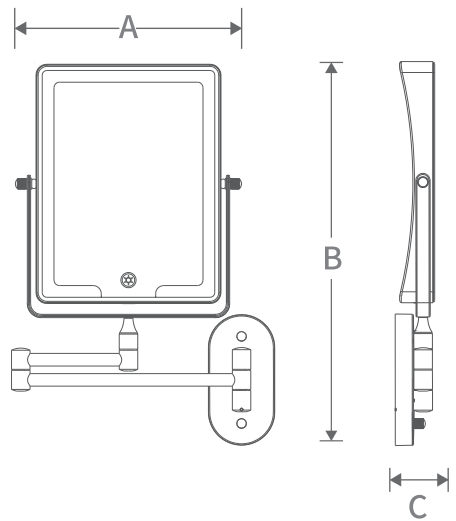


Type C Cable



Cleaning Cloth

DIMENSION



A	B	C
8.2"	14"	1.2"

A Mirror's Width

B Mirror's Height

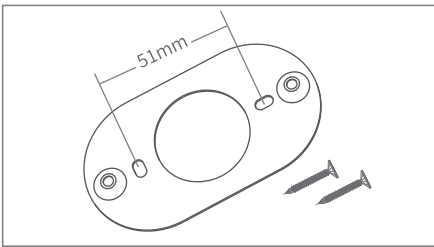
C Mirror's Depth

Wall Mounted Lighted Makeup Vanity Mirror

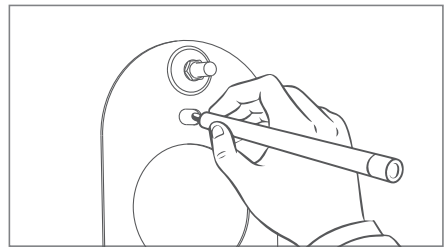
INSTALLATION

INSTALLATION METHOD

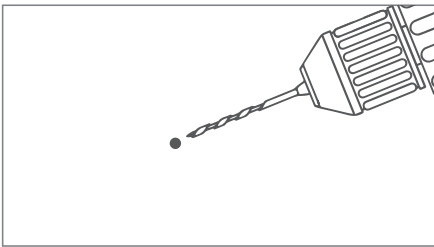
Refer to the following figure to instal



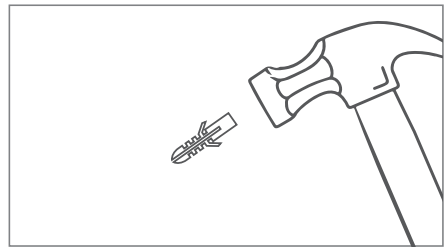
1 Unscrew the 2 screws capsand remove the base panel



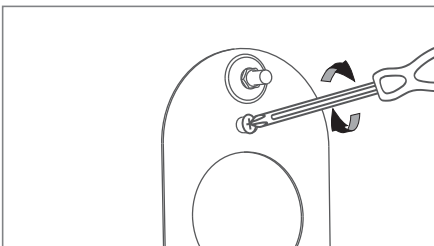
2 Choose a desire location to install. Mark 2 of the holes against the wall



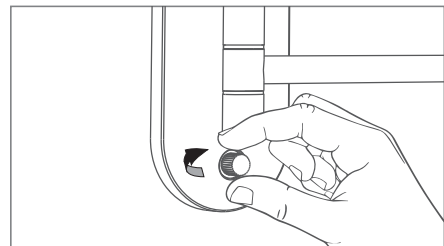
3 Drill holes (diameter of 6mm) and install expansion anchor on the wall



4 Install the 2 expansion anchoron the 2 holes



5 Apply base panel and install screws



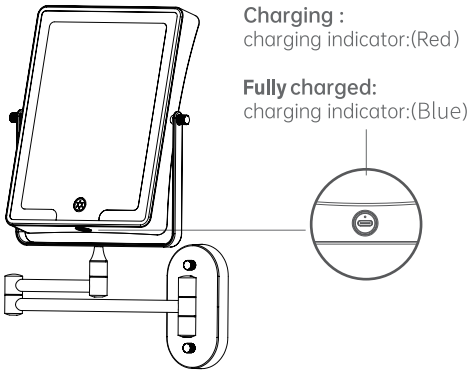
6 Apply mirror and tighten the screw caps

Wall Mounted Lighted Makeup Vanity Mirror

INSTALLATION

INSTALLATION AND OPERATION GUIDE

1 Please make sure the mirror is fully charged before use.



2 How to use this switch:



① On/Off Lights

Touch the switch to turn the light on or off.

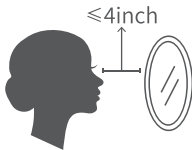
② Adjustable Brightness

Long press to adjust brightness.

③ Change Color Temperature

Short press to select warm white or natural white light or daylight as you need.

How to use magnifying mirror



**Viewing distance WITHIN 4 inch
to avoid dizziness**

Notes: Please make viewing distance within 4 inch to avoid dizziness and inverted image

(When you are further from the mirror, the image is inverted. As you get closer, the image flips to the actual virtual image in magnification standard. This is because of the concave lens of the Magnifying Mirror.)

⚠ Please make sure the mirror is fully charged before use.

Wall Mounted Lighted Makeup Vanity Mirror

INSTALLATION

TROUBLESHOOTING

PROBLEM	POSSIBLE CAUSE	CORRECTIVE ACTION
LED light not working	Battery is depleted	Charge the battery
Battery not charging	Damaged charging cable	Replace with new charging cable
	Adapter not working	Replace with new adapter
The mirror will not stay in place	Screw loose	Tighten the screws

MIRROR MAINTENANCE:

1. Make sure that LED lights are OFF before cleaning.
2. Use a soft wet cloth to remove dirt and stains. Wipe with dry cloth afterwards.
3. You can use a velvet cloth for better result in cleaning (velvet cloth not included).
4. Be sure direct sunlight does not strike the mirror. When left unattended, reflected sunlight can cause fire.
5. To protect the mirror from dust simply store it in its original box.
6. Store out of reach of children in a safe dry location.



For your safety and continued enjoyment of this product, always read the instruction book carefully before using.