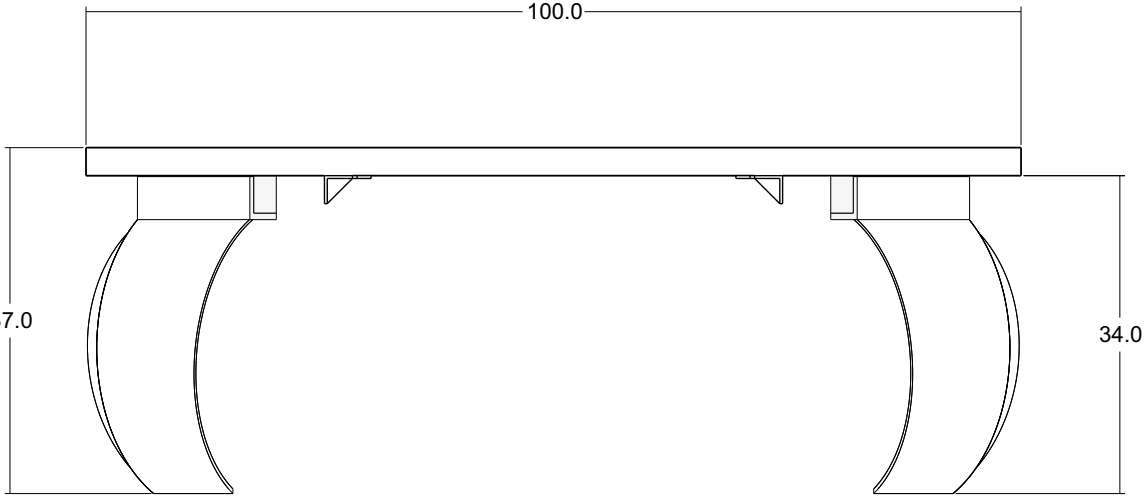
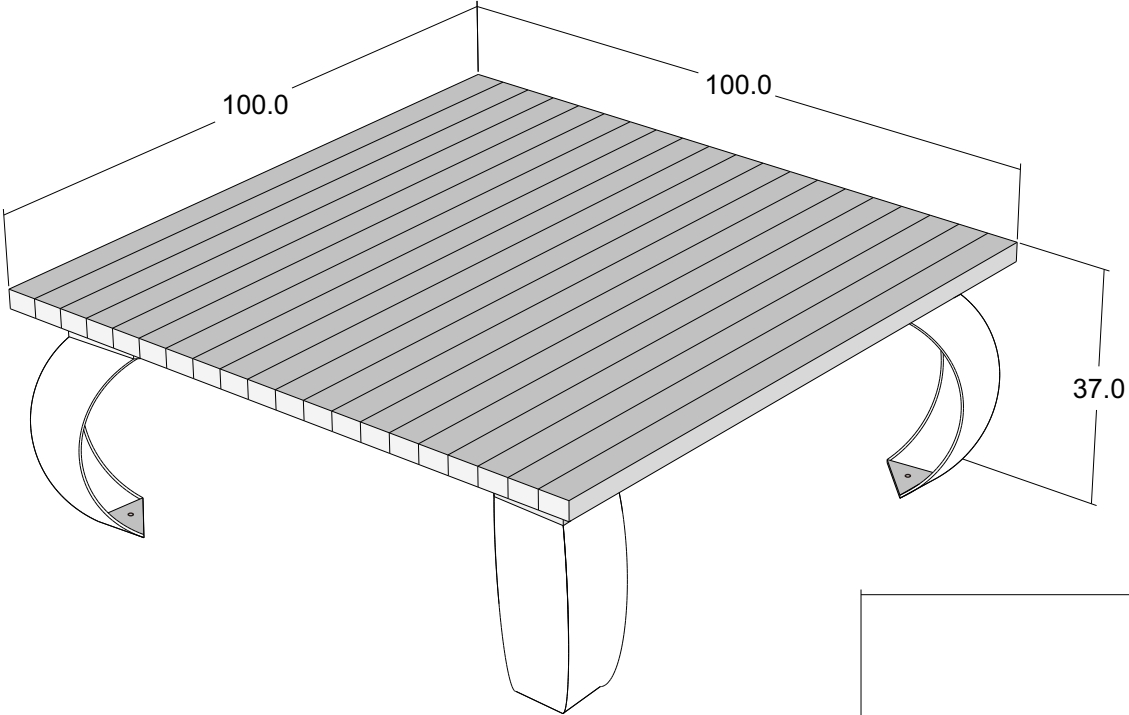


Dimensions (cm)



FRONT VIEW