





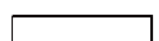
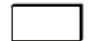

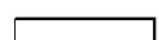

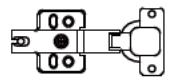
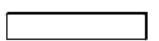








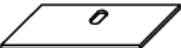


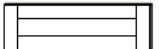
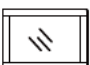
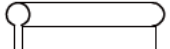
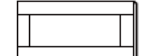
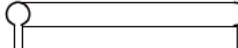
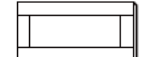

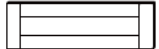




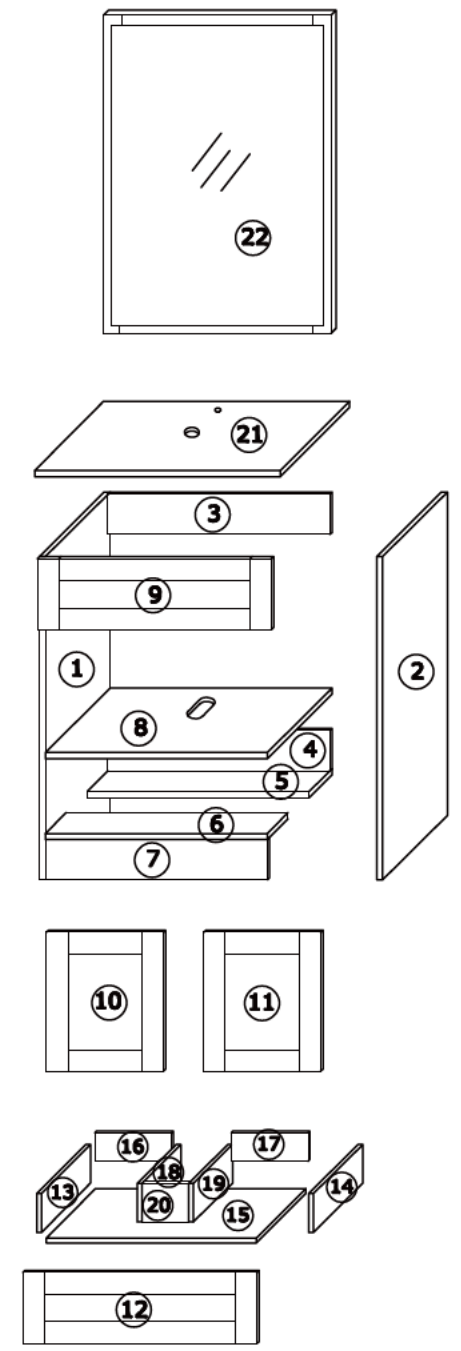
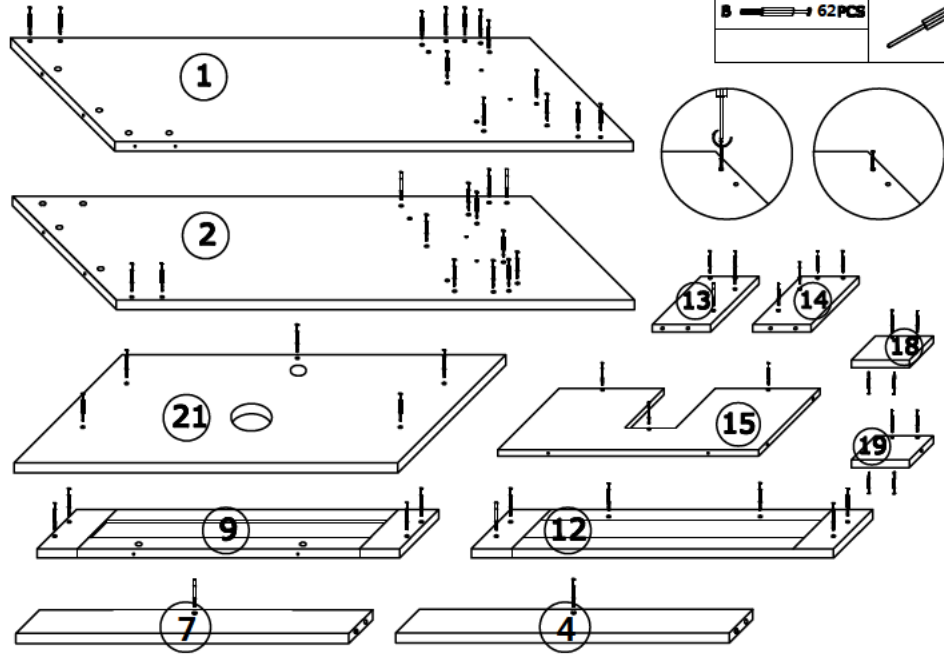




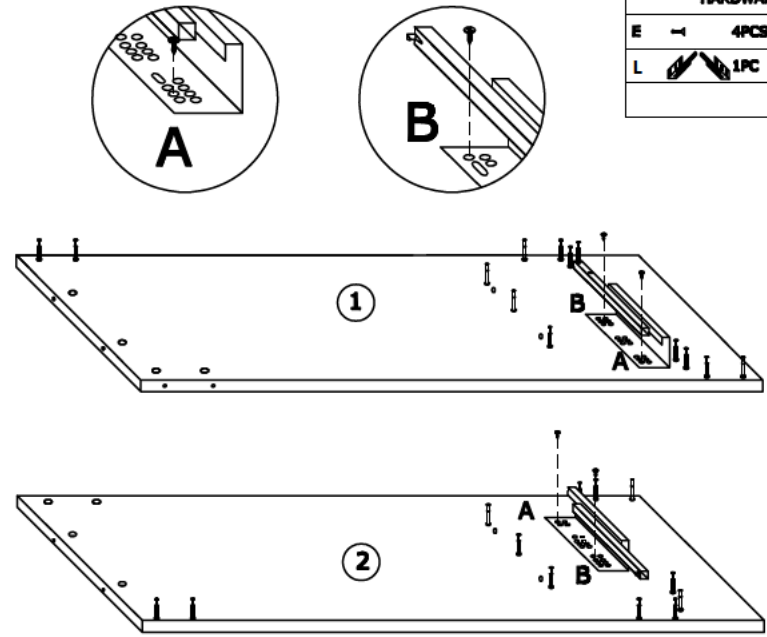
USER'S MANUAL
Bathroom Vanity

PARTS LIST						HARDWARE LIST		
NO.	DESCRIPTION	QTY	NO.	DESCRIPTION	QTY	NO.	DESCRIPTION	QTY
1		1	14		1	A	 CAM LOCK	62
2		1	15		1	B	 CAM SCREW	62
3		1	16		1	C	 CAM LOCK COVER	62
4		1	17		1	D	 HINGE	4
5		1	18		1	E	 SCREW	46
6		1	19		1	F	 HASCREW ($\phi 4 \times 20 \text{MM}$)	4
7		1	20		1	G	 $\phi 3.5 \times 35 \text{MM}$	4
8		1	21		1	H	 $\phi 6 \times 30 \text{MM}$	4
9		1	22		1	I	 SHORT HANDLE	2
10		1				J	 LONG HANDLE	1
11		1				K	 CORNER IRON	2
12		1				L		1
13		1	N	 HASCREW ($\phi 4 \times 10 \text{MM}$)	2	M		4

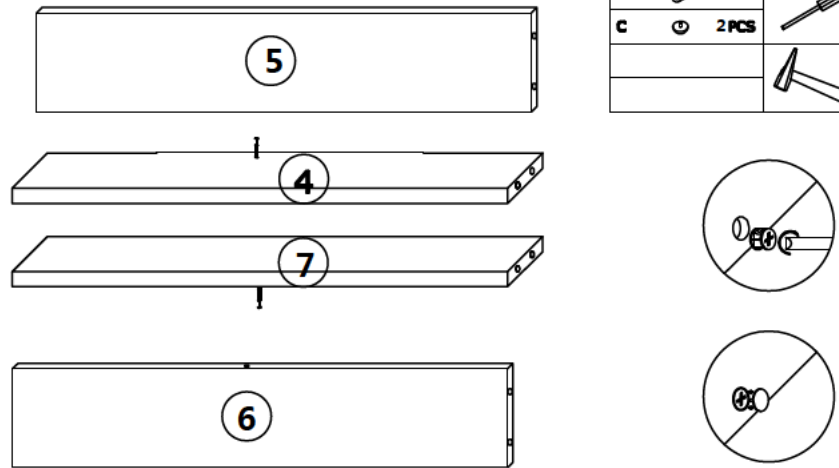


STEP 1**HARDWARE LIST**

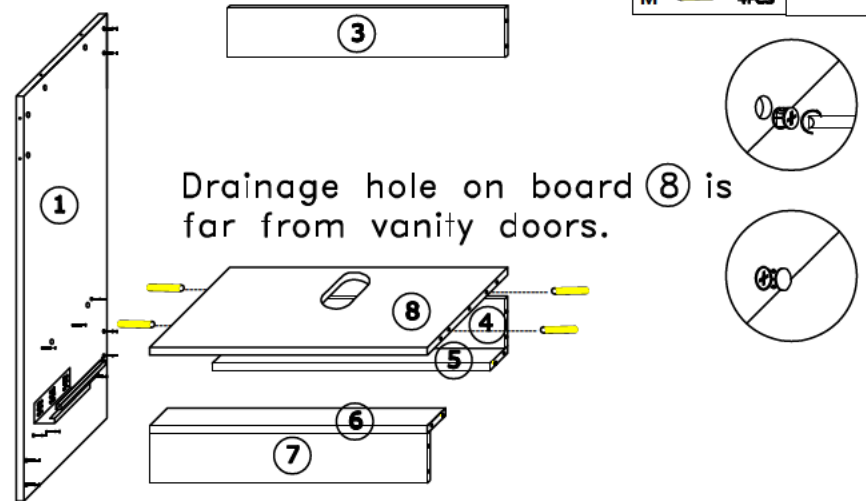
B		62 PCS	
---	--	--------	--

STEP 2**HARDWARE LIST**

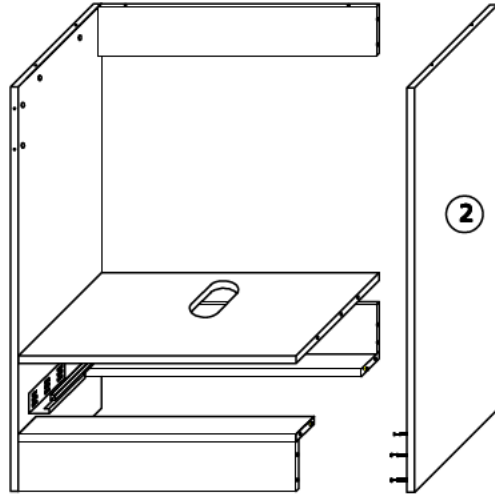
E		4 PCS	
L		1 PC	

STEP 3**HARDWARE LIST**

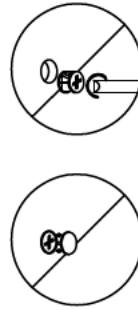
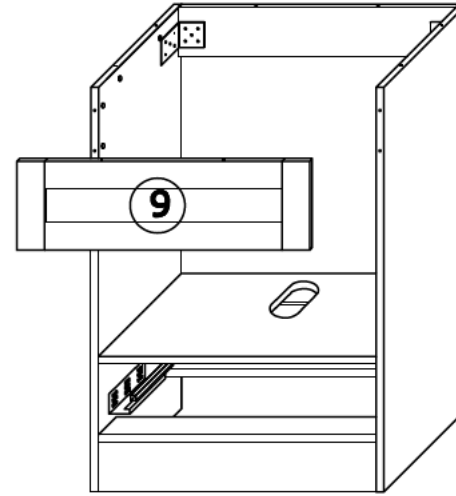
A		2 PCS	
C		2 PCS	

STEP 4**HARDWARE LIST**

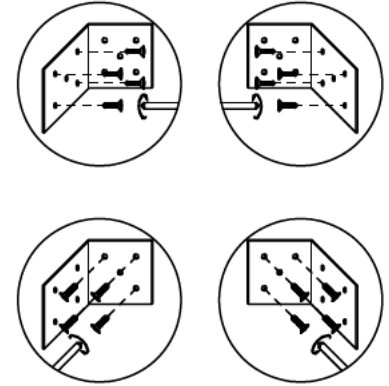
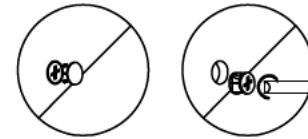
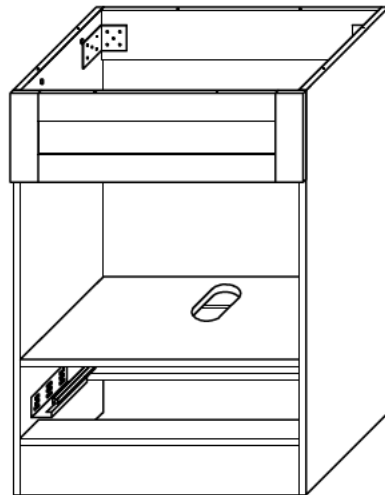
A		13 PCS	
C		13 PCS	
M		4 PCS	

STEP 5**HARDWARE LIST**

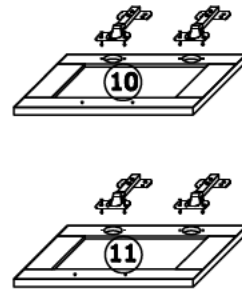
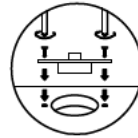
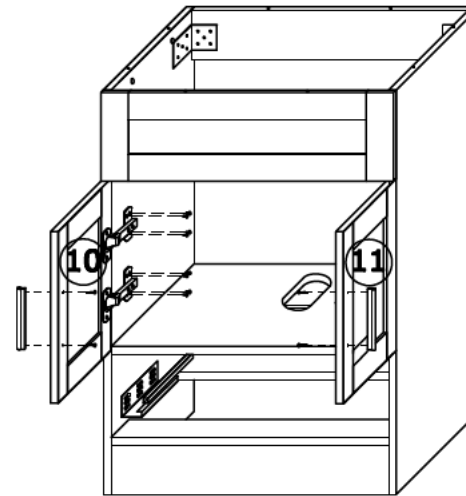
A		13 PCS	
C		13 PCS	

**STEP 6****HARDWARE LIST**

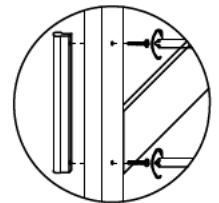
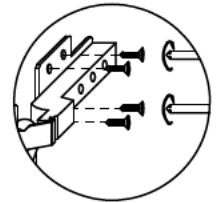
K		2PCS	
E		16PCS	
A		4PCS	
C		4PCS	

**STEP 7****HARDWARE LIST**

E		8PCS	
D		4PCS	

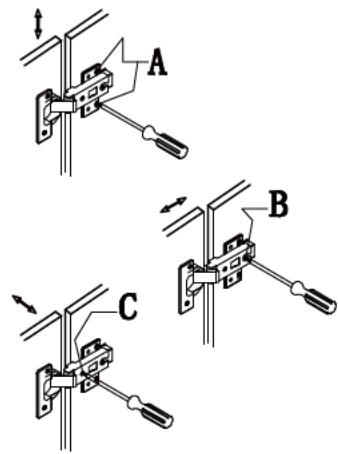
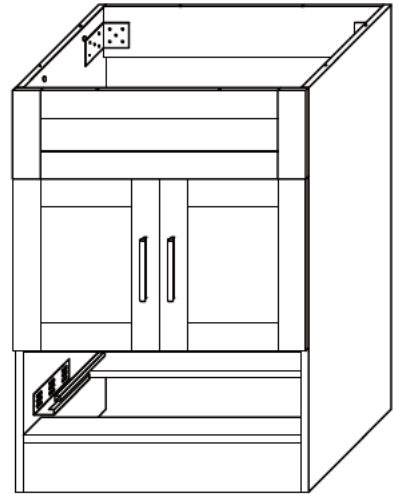
**STEP 8****HARDWARE LIST**

E		16PCS	
F		4PCS	
I		2PCS	



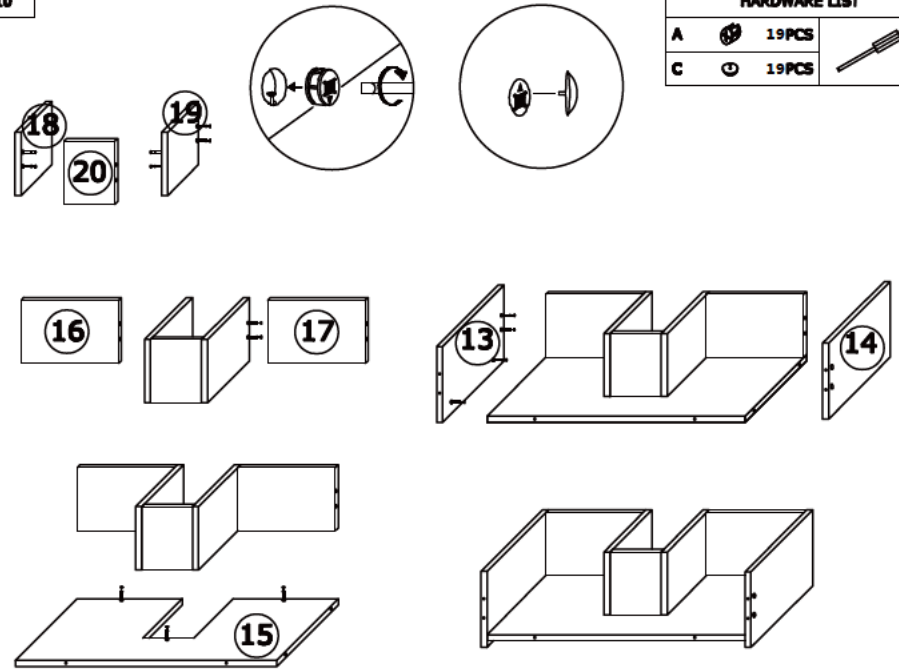
STEP 9

A. Height adjustment;
B. Depth adjustment;
C. Side to side adjustment.



HARDWARE LIST

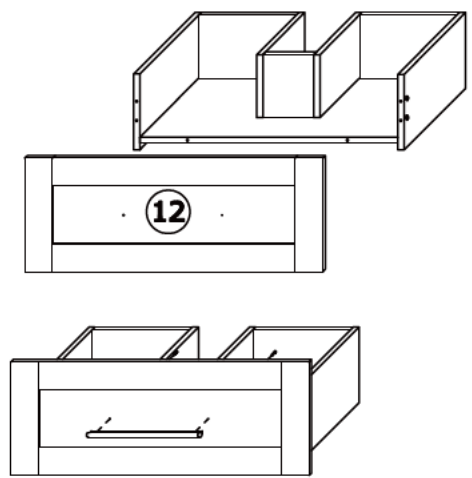
STEP 10



HARDWARE LIST

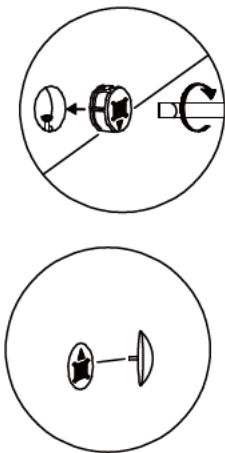
A		19PCS	
C		19PCS	

STEP 11

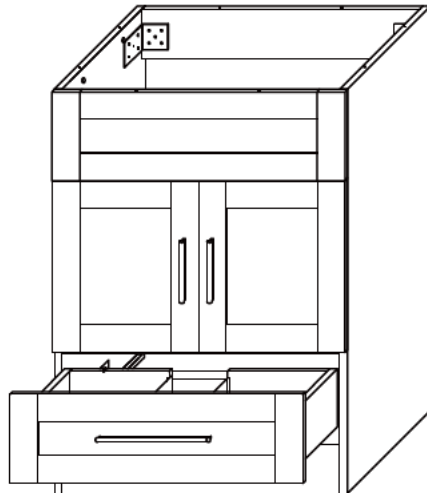


HARDWARE LIST

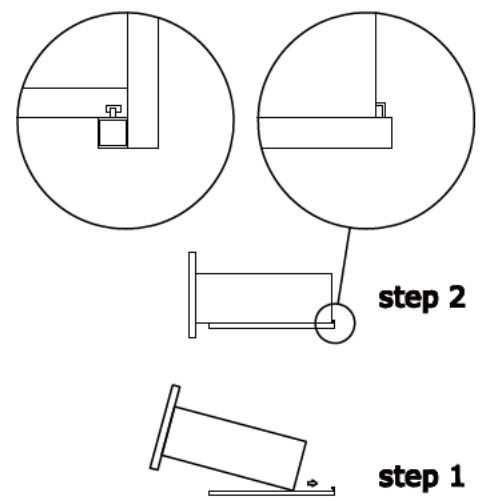
A		6PCS	
C		6PCS	
N		2PCS	
J		1PC	



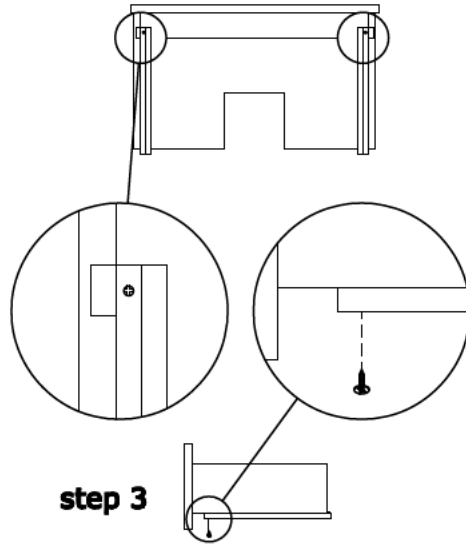
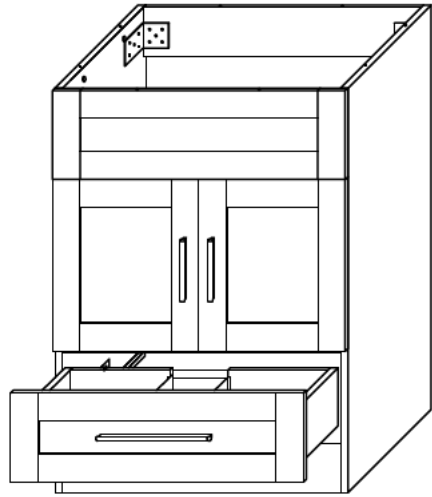
STEP 12



HARDWARE LIST



STEP 13



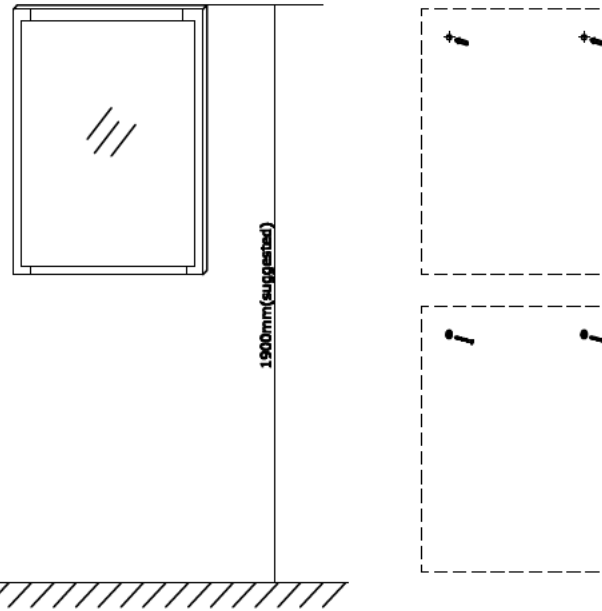
step 3

HARDWARE LIST

E		2 PCS	
---	--	-------	--

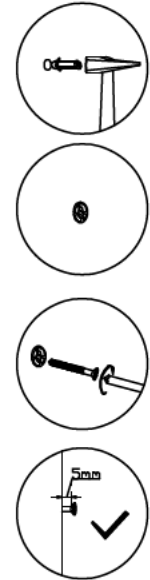
STEP 14

Drill holes accordingly

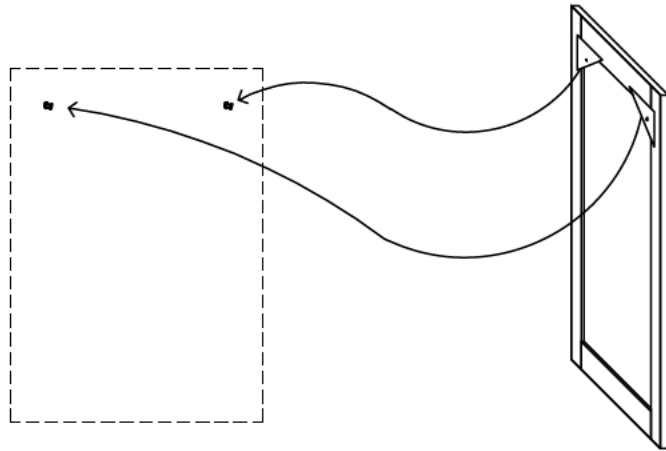


HARDWARE LIST

G		2 PCS	
H		2 PCS	



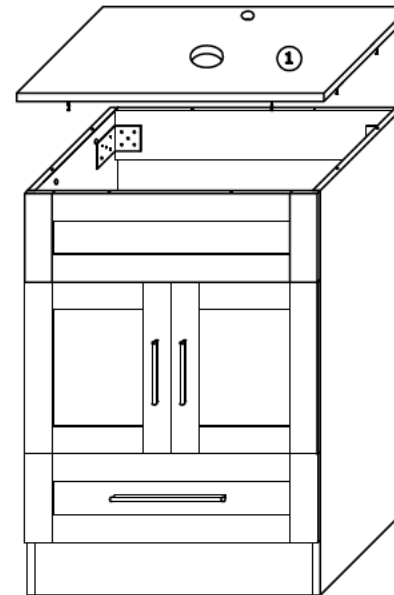
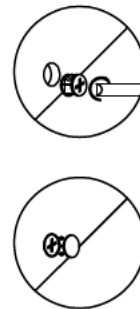
STEP 15



HARDWARE LIST

A		6 PCS	
C		6 PCS	

STEP 16

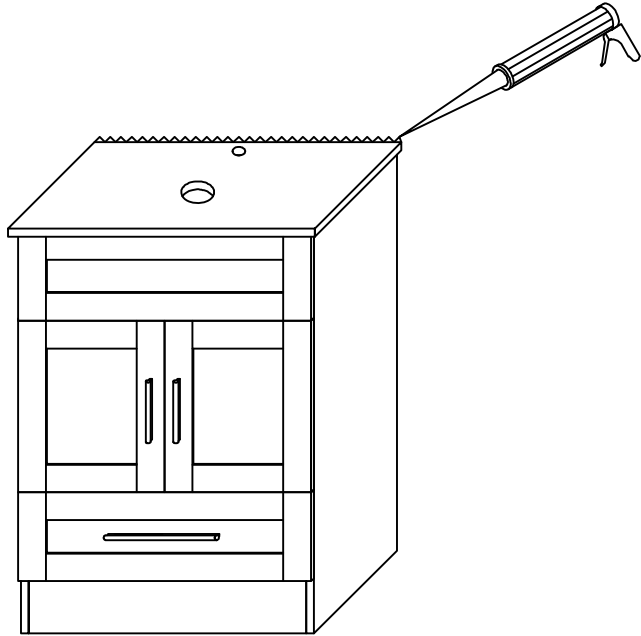


HARDWARE LIST

A		6 PCS	
C		6 PCS	

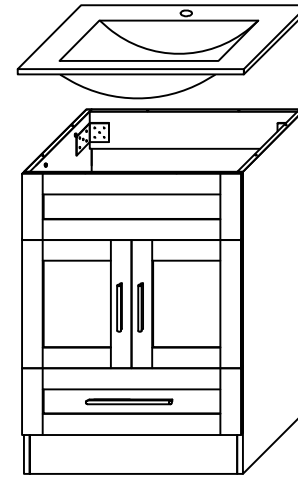
Vanity Top's Material
Optional: Wooden;
ASIN; Phoenix Stone;
ASIN; Ceramic: ASIN;

STEP 17

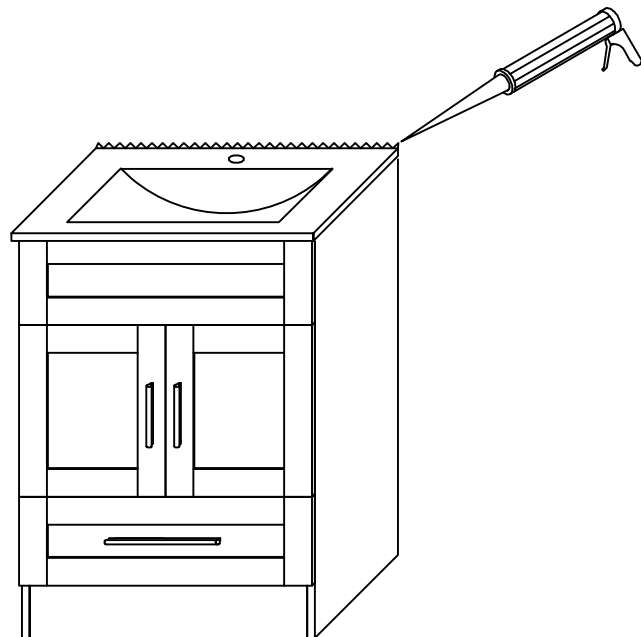


STEP 18

Please follow the instruction below for ceramic vessel suit if the vessel is needed (Vessel sink combo sold separately):
1. Undo step 16 to remove vanity top board #18.
2. Please compare with the picture below and follow the instruction manual to assemble ceramic vessel.



STEP 19



STEP 20

