



# OUTPLAY THE ORDINARY

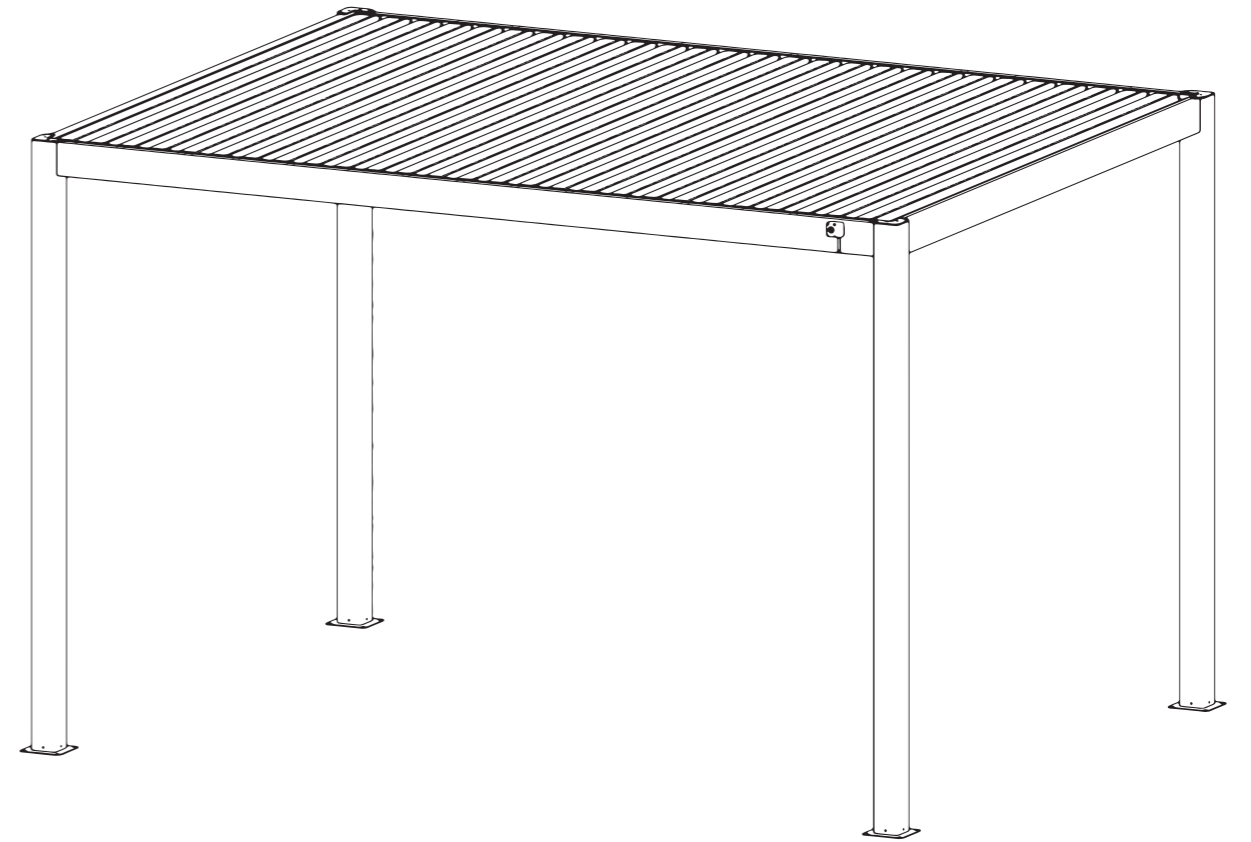
by Lausaint Home



# PERMANENT LOUVERED PERGOLA

10\*13FT

OUTPLAY THE ORDINARY



V1.0

[customerservice@lausaint.com](mailto:customerservice@lausaint.com)

INSTRUCTION BOOK



ATTENTION .....	02
IMPORTANT SAFETY INSTRUCTIONS .....	03
GENERAL PREPARATIONS .....	04
REQUIREMENTS TOOLS .....	05
COMPONENT LIST .....	06
HARDWARE LIST .....	07
ASSEMBLY STEPS .....	08-22
· BASE FRAME INSTALLATION .....	08-17
· TOP FRAME INSTALLATION .....	18-21
· REINFORCE FRAME .....	22
REPLACE THE TOP ROOF & REMOVE THE TOP ROOF .....	23-24
CARING FOR YOUR ITEM .....	25



## WARNING!

**WARNING! TO REDUCE THE RISK OF SERIOUS INJURY, READ THE FOLLOWING SAFETY INFORMATION.**

### CAUTION!

Always keep children under close supervision while they are playing around with this product. Never leave children unattended. Keep pets away while setting up the gazebo.

### CAUTION!

Check municipal by-laws before installing the gazebo.

- This product is intended for domestic outdoor use only.
- The product should be placed and assembled on flat, horizontal ground.
- Consult with your local governing authority/local municipal codes regarding the installation of temporary structures before assembly.
  - Ensure there is enough clearance around the product. Before assembling the gazebo, make sure to leave a distance of not less than 6 ft (1.8 m) from any structures or obstructions, such as fences, garages, houses, overhanging branches, laundry lines, or electrical wires.
  - Anchor the gazebo to the ground with stakes for added safety. Stakes are provided to secure the gazebo to the floor. If you wish to secure the gazebo to a concrete or wood surface, use anchors suited for these surfaces (anchors not included). Do not assemble the gazebo on sandy, muddy or loose soil, as stakes do not have enough anchorage in these types of soil.
  - If more than one gazebo is set up, keep a minimum distance of 10 ft (3 m) between the gazebos.
- Any assembly or maintenance of the product must be carried out by adults only.
- Make sure there is sufficient manpower when assembling or moving the product.
- Some parts may contain sharp edges. Wear protective gloves if necessary.
- Check all nuts and bolts periodically to ensure their tightness. When required, tighten them.
- Repairing and replacing parts should be done by a qualified technician.
- This gazebo is intended for decorative purpose and to provide sunshade only.
- The gazebo is not designed to withstand harsh weather, including high winds, rain, and snow. Always remove the gazebo in such heavy weather conditions otherwise it might tip over and cause damage to the product or injuries to bystanders.
  - During snow days, remove the snow at the top when the snow is thicker than 4 in (10 cm).
  - After a period of time, usually in 2–3 months, tighten all the bolts.
  - After some time outdoors, the gazebo roof may get dirty. Rinse the top of the gazebo using water. Do not use harsh cleaning agents.
    - Do not hang any weights on the roof frame.
    - Do not climb onto the roof of the gazebo. Falling off the gazebo can result in serious injury.
    - Use paint of similar color for touch-ups. It is recommended to use outdoor paint.



## IMPORTANT SAFETY INSTRUCTIONS

### CAUTION!

- Proper placement of the gazebo is essential. Do not place the product underneath electrical lines.
- Keep children under close supervision while they are playing around with this product.
- This product contains small parts which can be swallowed by children.
- Keep fingers away from places where they can be pinched or trapped.
- Do not attempt to assemble the gazebo if any part is missing.
- Do not light any fires inside or near the product!
- Stay calm if a fire breaks out. Search for the nearest exit. Do not return to the gazebo until the fire department deems it safe.

## LET US HELP YOU! DO NOT RETURN YOUR PRODUCT TO THE STORE.

If you have questions regarding your product, require warranty assistance, or have damaged or missing parts, please contact us through this email [customerservice@lausaint.com](mailto:customerservice@lausaint.com). Contact us for assistance; we're here to help.

## IMPORTANT

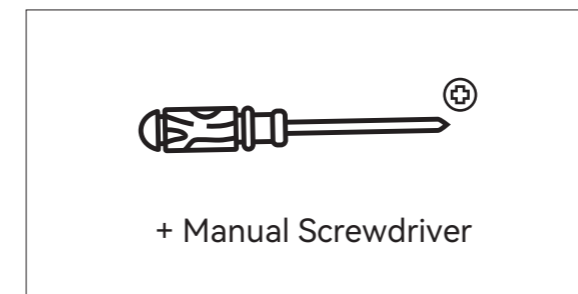
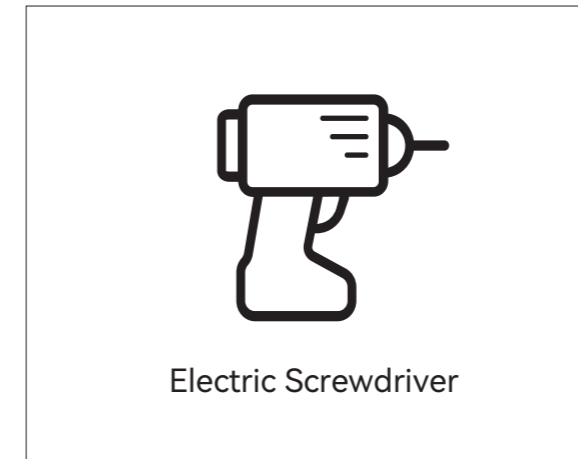
Please read and understand this manual before any assembly!  
We recommend at least three adults to complete the installation. Three adults installed together will make the installation process easier and safer.  
Before beginning the assembly of the product, make sure all the component parts available.  
Unpack and place all the parts from the packaging box in an open area and position them on the floor. Remove all packing materials and put them back into the box.  
Do not dispose of the packing materials until assembly is complete. Read each step carefully before beginning any assembly, and make sure you understand each step. If you are missing a part, please contact us for assistance.

### CAUTION!

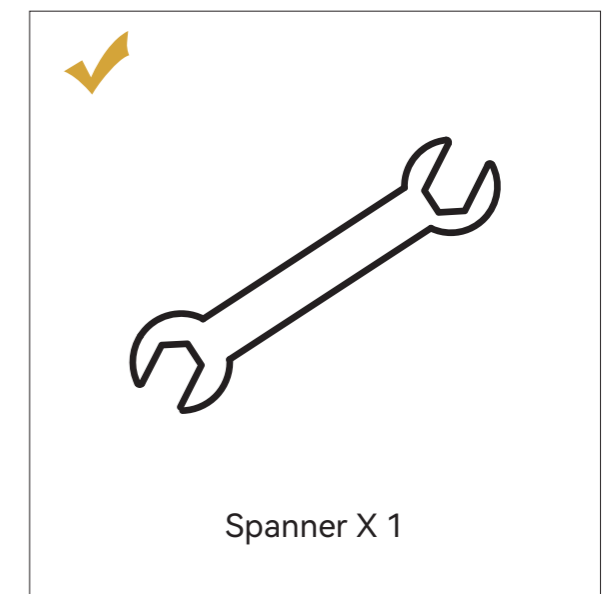
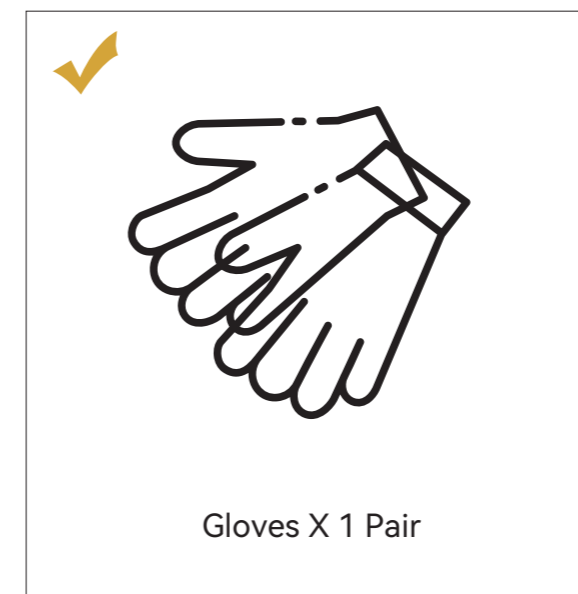
Disassemble the gazebo in reverse order of the steps used to assemble it.  
Always disassemble the gazebo completely. A partially-disassembled gazebo is not stable enough to resist wind and bad weather, therefore can be damaged and/or cause damage.

- When choosing the location for your gazebo build, plan to have at least 6 ft (approximately 1.8 m) of clearance beyond the footprint of the gazebo to allow for installing parts. This is in conjunction with the Important Safety Instructions.
- It is very important that you install the gazebo on a flat, level surface. A surface that is not flat and level will make it difficult to square the frame, which will make assembly more difficult.
- Save your cardboard! You can use the box as padding when assembling the gazebo to prevent damage to parts during assembly.
- Lay out all parts before beginning assembly and compare the parts you have to the parts list in this manual. If parts are missing, please contact [customerservice@lausaint.com](mailto:customerservice@lausaint.com) to have replacement parts provided to you.
- Completely read through this assembly manual before beginning assembly so you can become familiar with the building process.






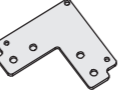

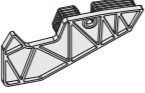
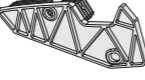
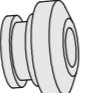


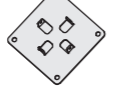

**PACKAGE NOT INCLUDED**



**TOOLS PACKAGE INCLUDE**

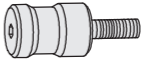
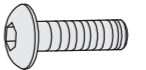
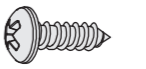
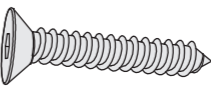
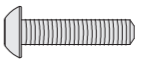

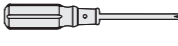





# COMPONENT LIST

PARTS #	QTY	DESCRIPTION
A	4	
B1	1	
B2	1	
C	2	
D	27	
E	4	
G	1	
H	27+1	
H1	27+1	
J	27	
J1	27+2	
J2	27+2	
L	4	
M	1	

WE HAVE PREPARED EXTRA SCREWS FOR YOU IN CASE OF LOSS OR DAMAGE.

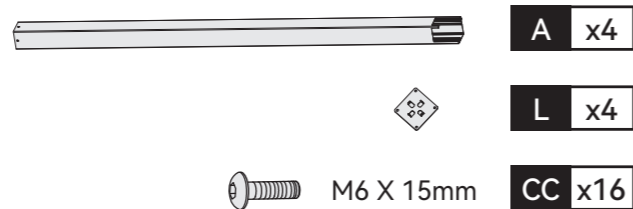
# HARDWARE LIST

PARTS #	QTY	DESCRIPTION
BB	16+2	 Ø17 X 25 X M6 X 16 mm
CC	32+3	 M6 X 15mm
FF	56+4	 ST4.8 X 10mm
GG	12+2	 ST5.5 X 30mm
HH	1+1	 M4 X 18mm
JJ	16+2	
KK	1	
LL	1	
MM	2	
PP	1	

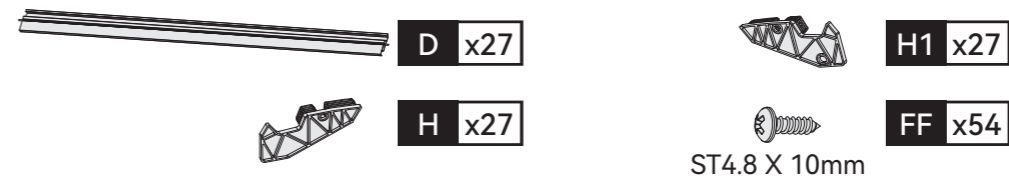
STEP

01

BASE FRAME INSTALLATION

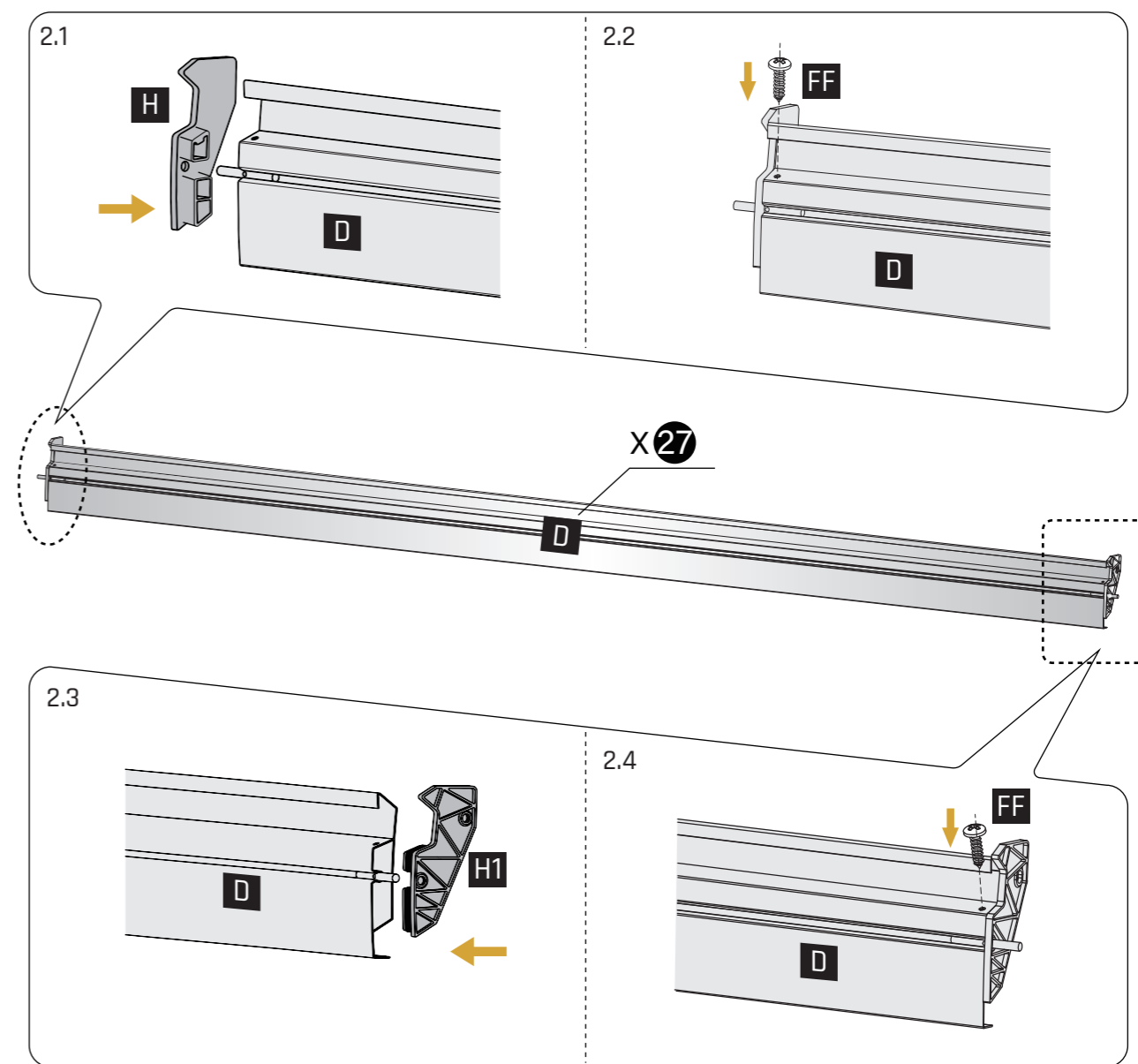
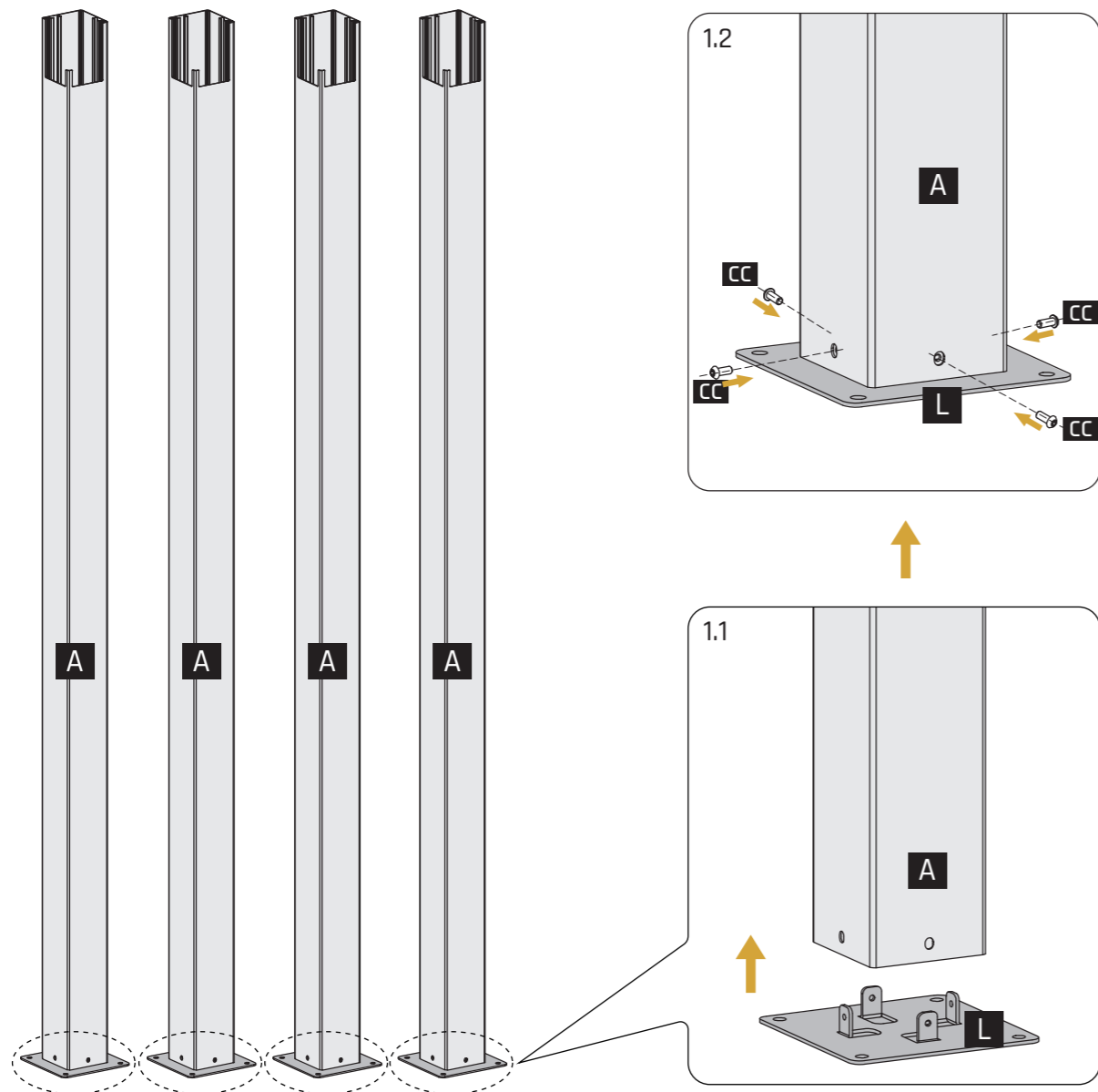


BASE FRAME INSTALLATION



STEP

02



NOTE!

Install all bolts by hand loosely threaded before fully tightening any bolts. After all bolts are installed loosely, then secure the bolts before moving on to the next step.

X27 Twenty-seven Times Required

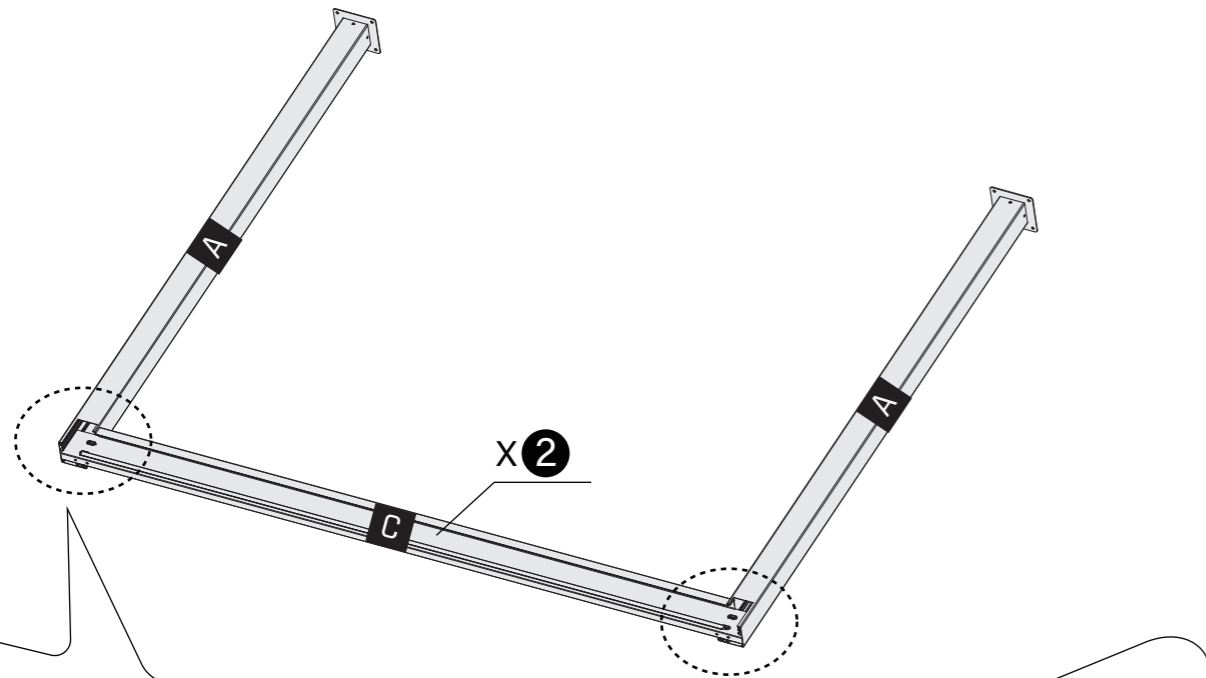
STEP

03

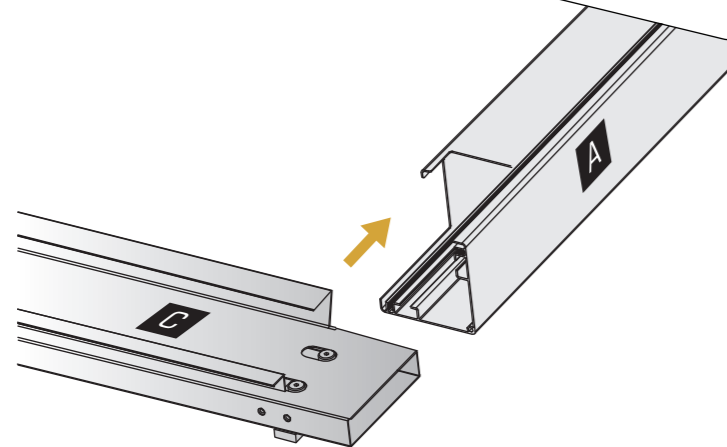
BASE FRAME INSTALLATION



C x2

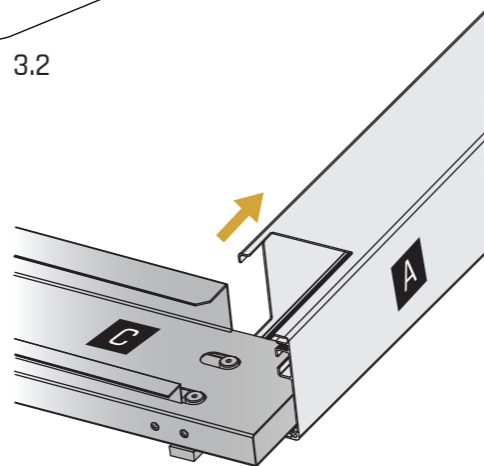


3.1



Make sure here's screws are not tightened, so that there is enough space to insert C into A

3.2



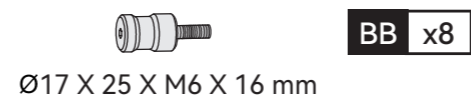
Screws need to be tightened

X 2 Two Times Required

BASE FRAME INSTALLATION

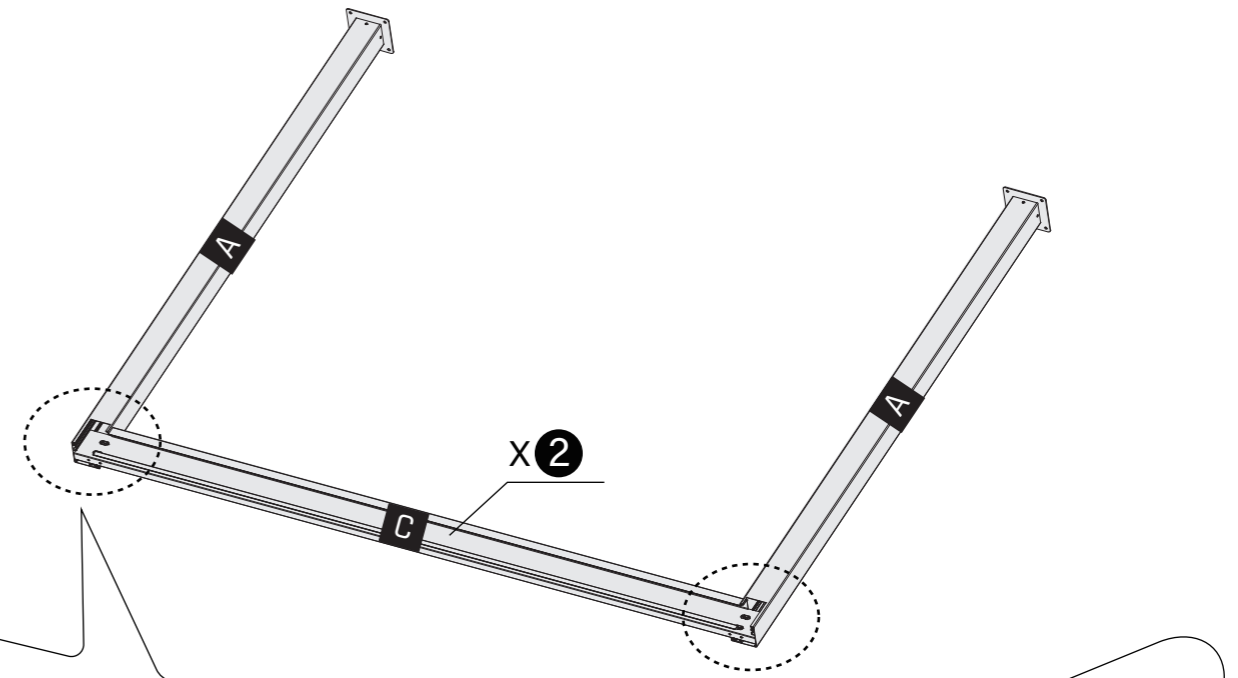
STEP

04

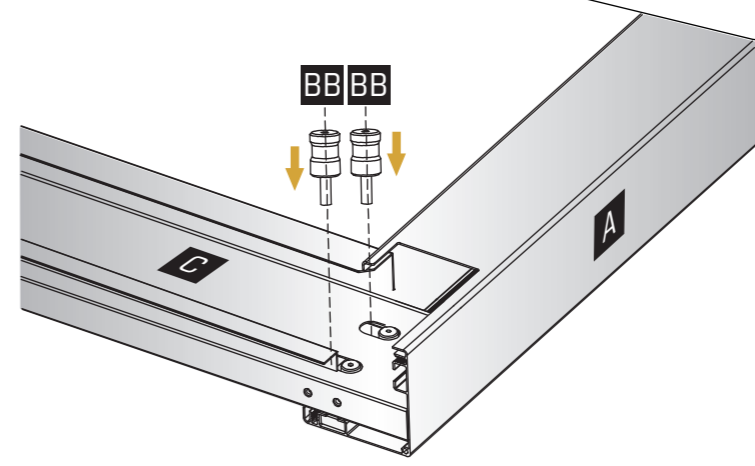


BB x8

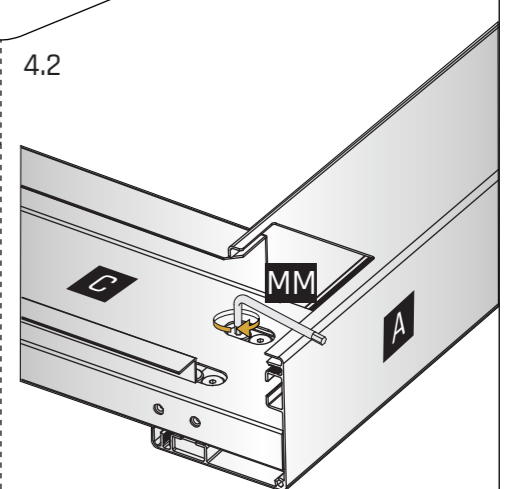
Ø17 X 25 X M6 X 16 mm



4.1



4.2



Make sure all screws are tightened

STEP

05

BASE FRAME INSTALLATION



BASE FRAME INSTALLATION

STEP

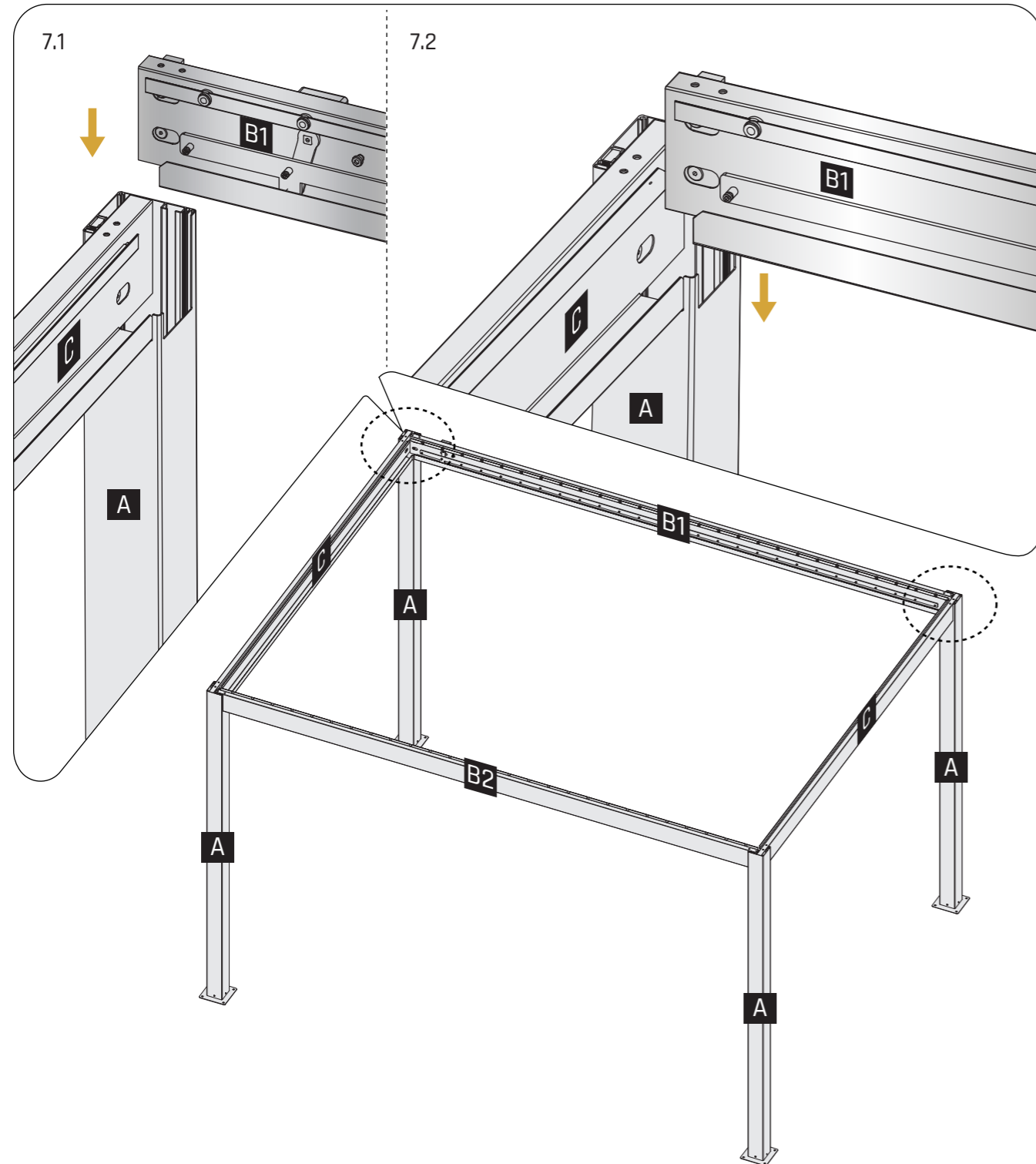
06



STEP

07

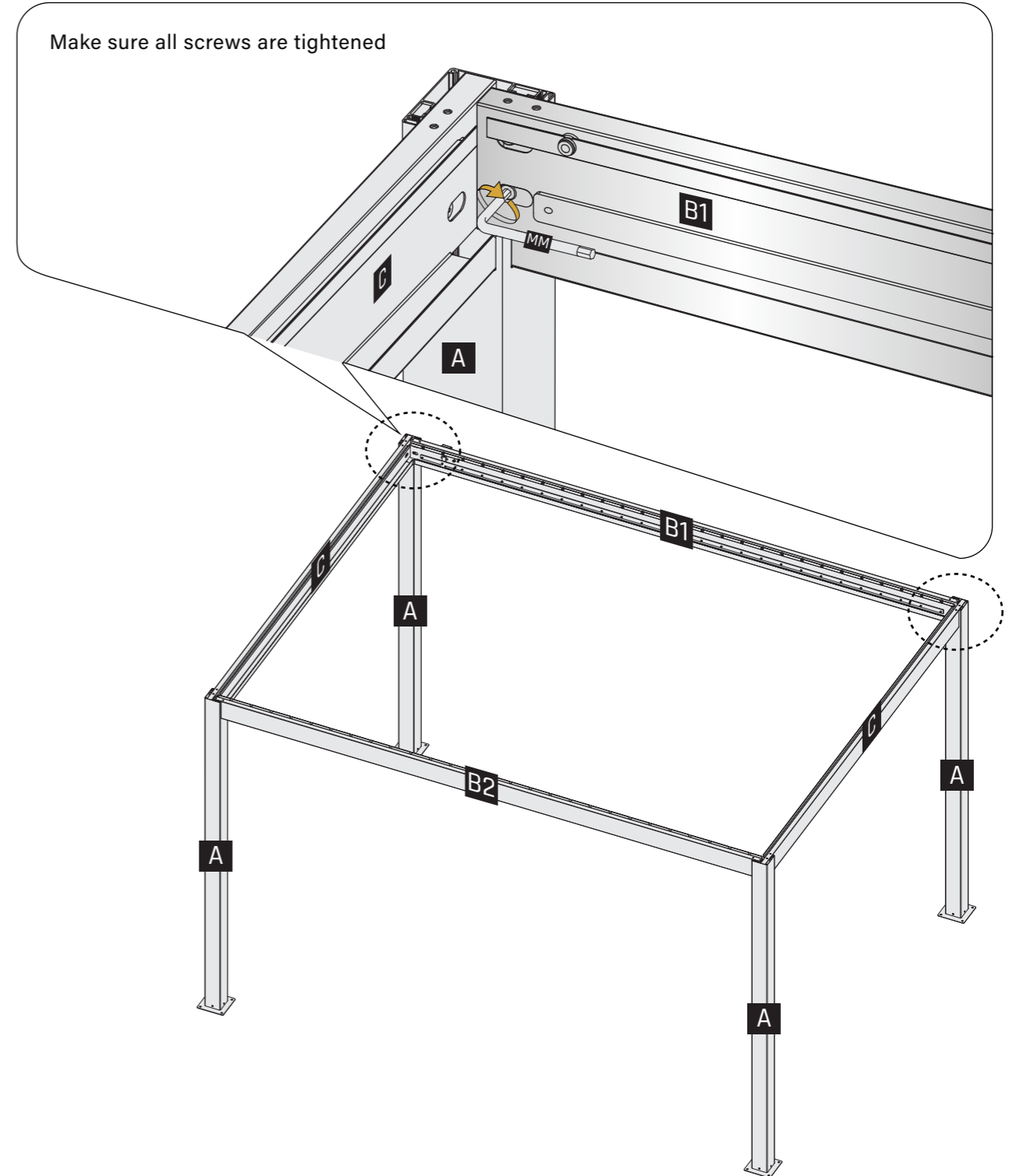
BASE FRAME INSTALLATION



BASE FRAME INSTALLATION

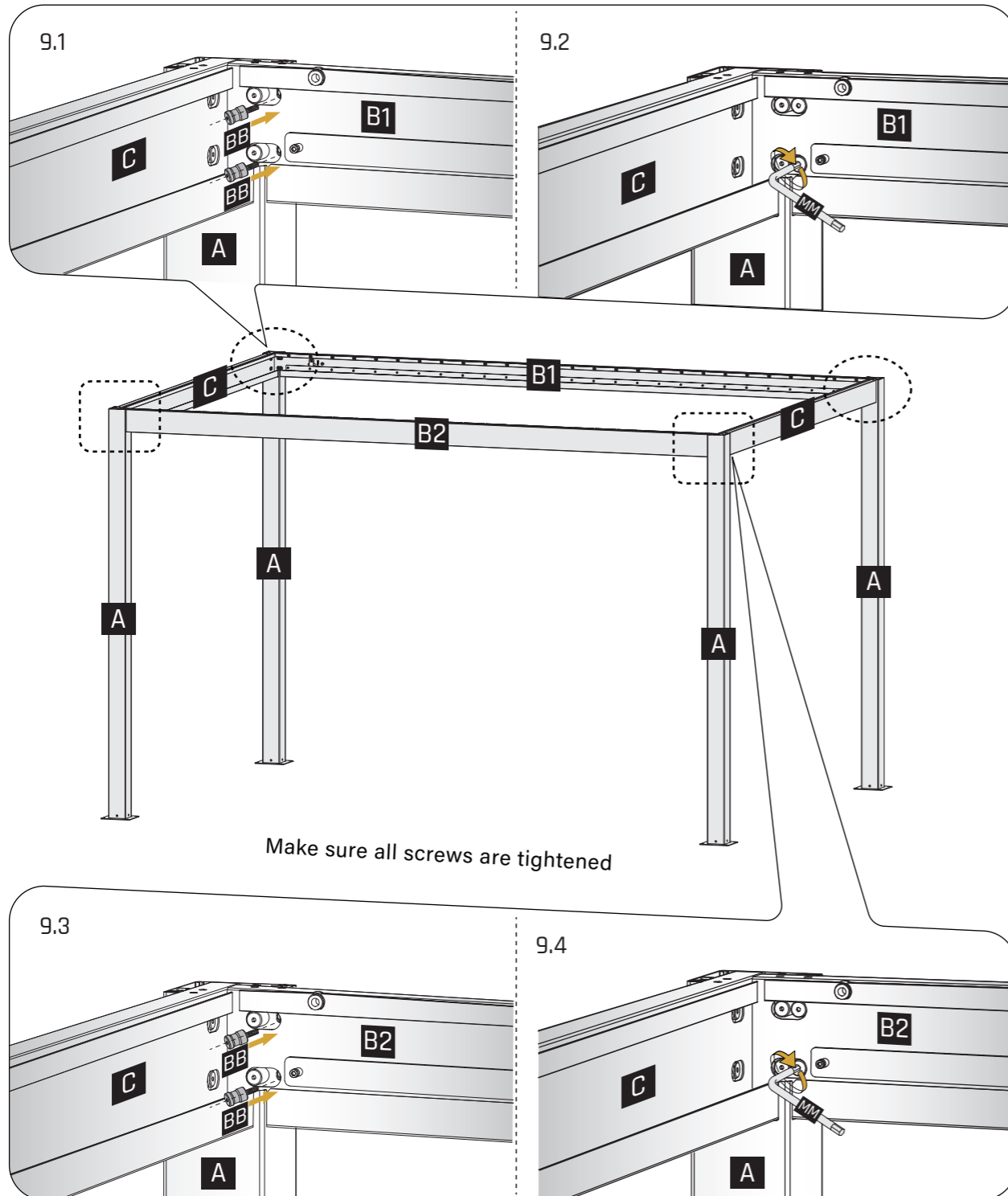
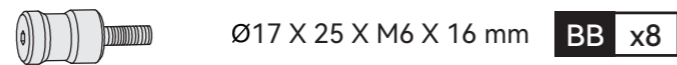
STEP

08

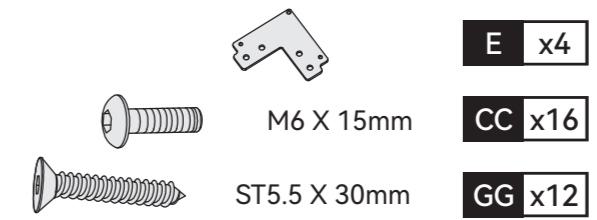


# STEP 09

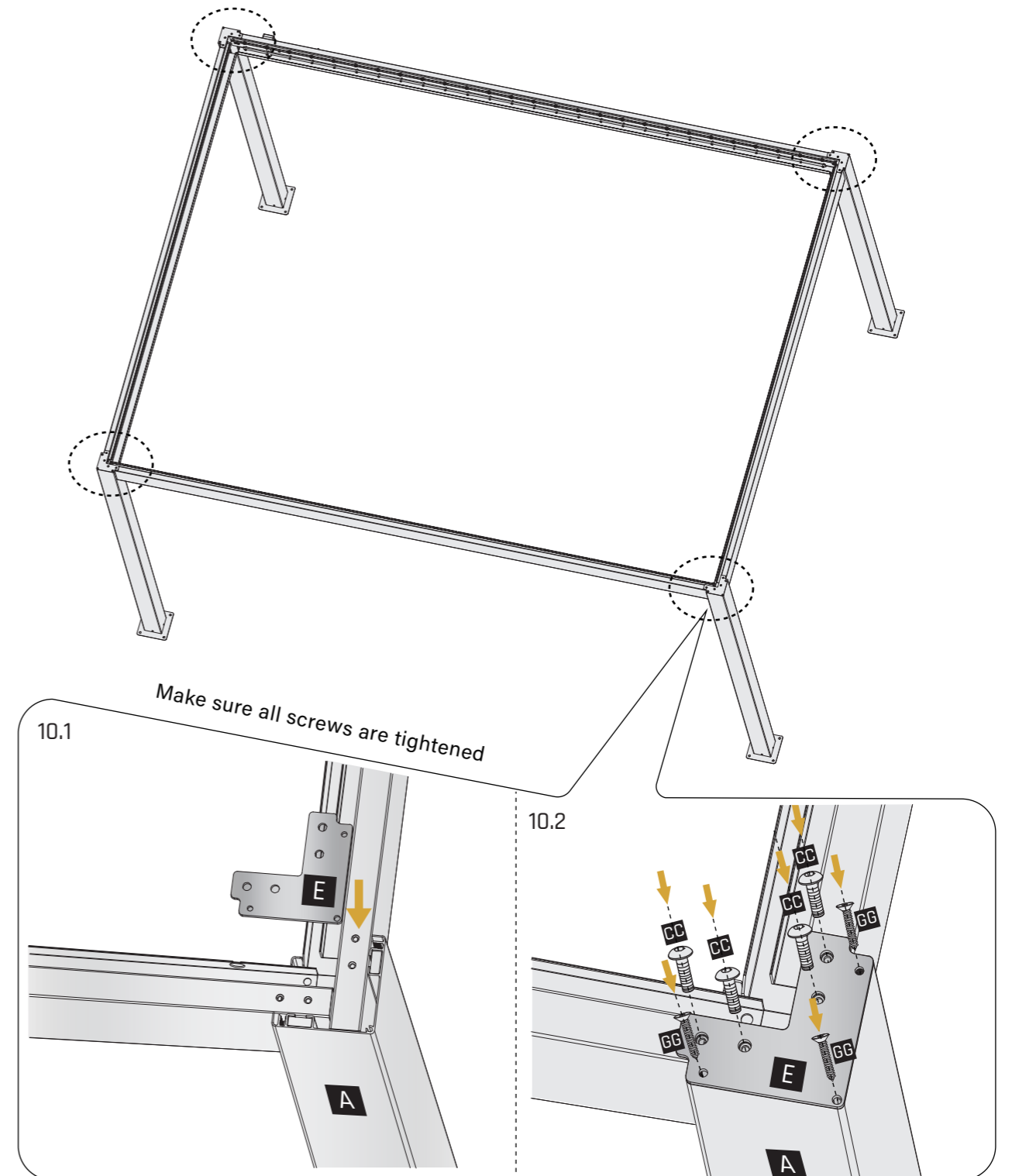
## BASE FRAME INSTALLATION



## BASE FRAME INSTALLATION



# STEP 10



STEP

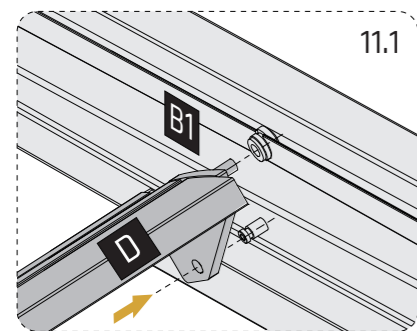
11

TOP FRAME ASSEMBLY

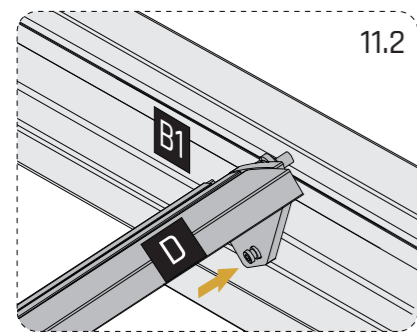


J2 x27

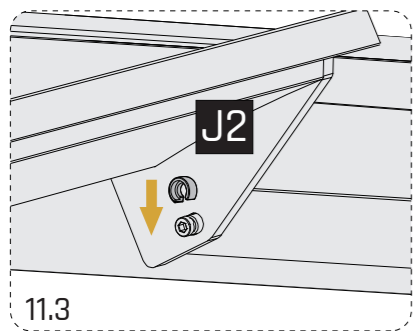
STEP 11 AND STEP 12 ARE NEED TO BE OPERATED AT THE SAME TIME.



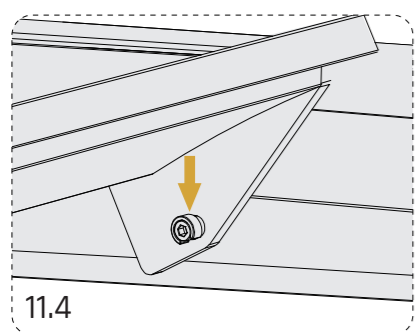
11.1



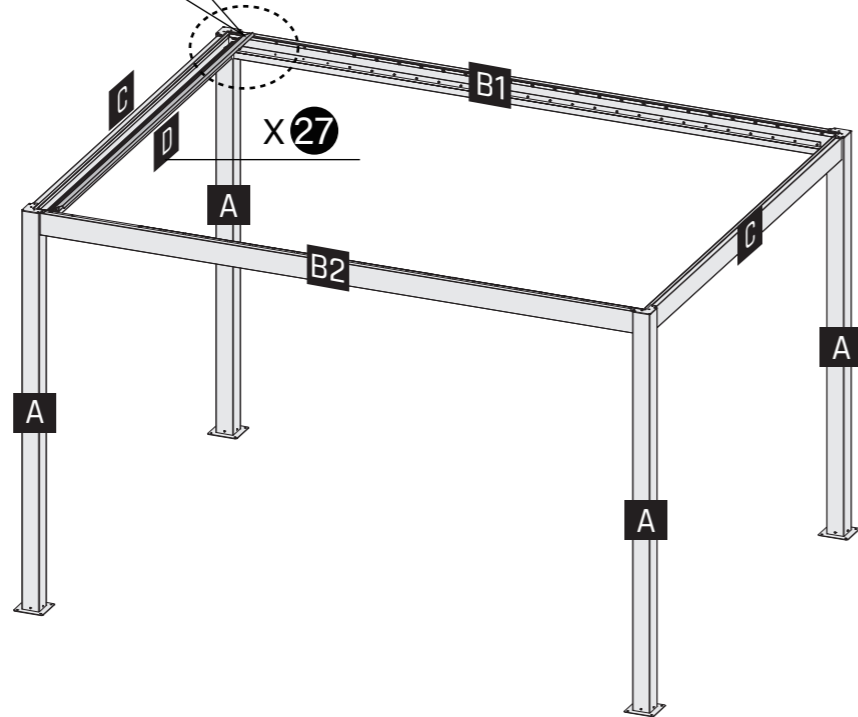
11.2



11.3



11.4



X<sup>27</sup> Twenty-seven Times Required  
This Step needs 2-3 people to set up a ladder to operate

TOP FRAME ASSEMBLY

STEP

12

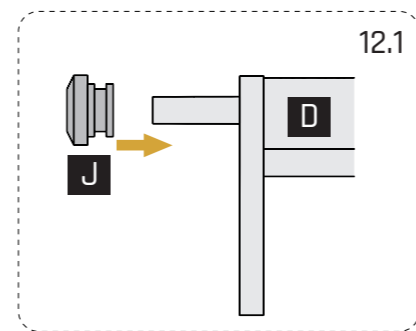


J x27

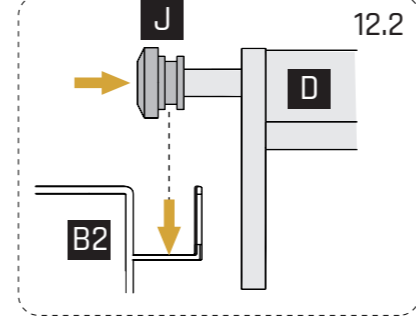


J1 x27

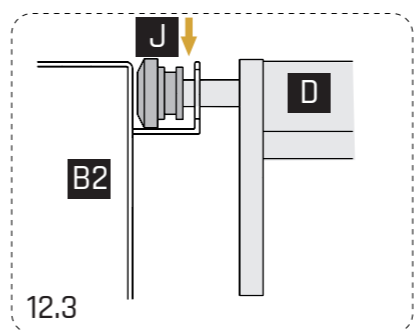
STEP 11 AND STEP 12 ARE NEED TO BE OPERATED AT THE SAME TIME.



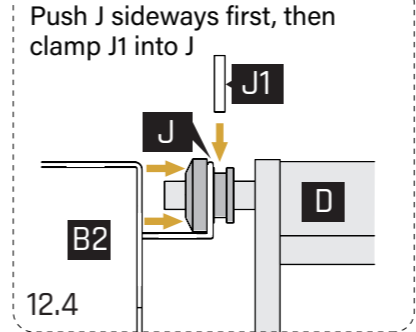
12.1



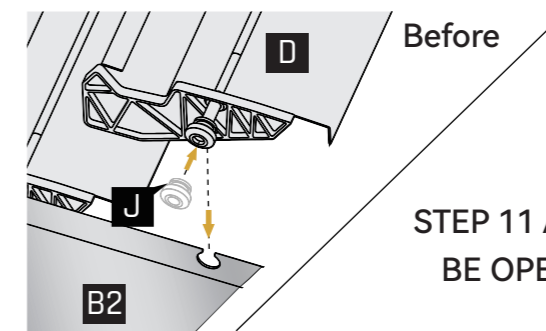
12.2



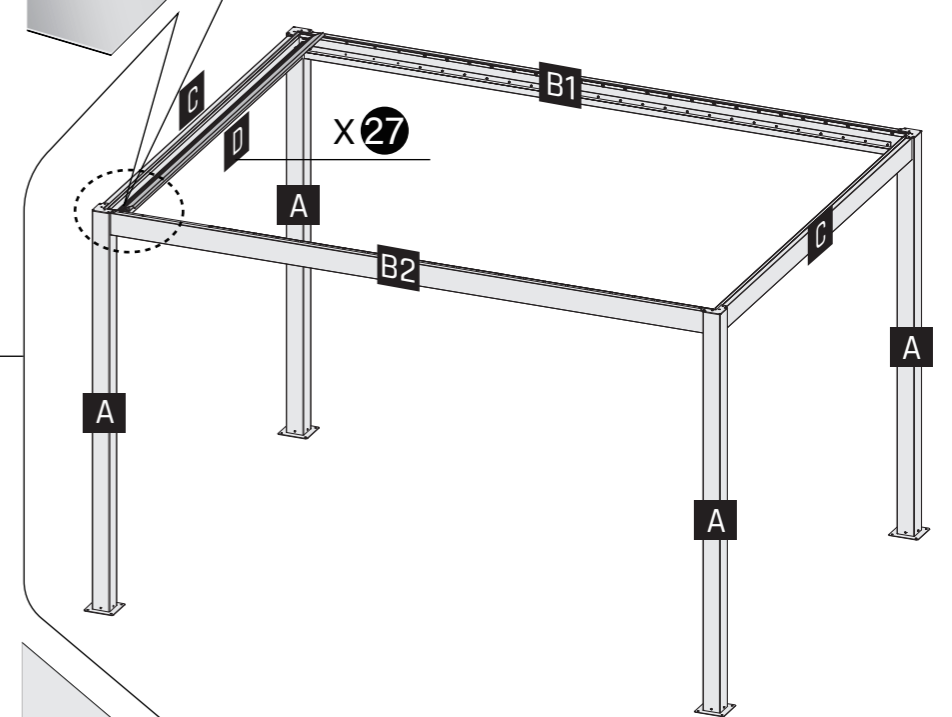
12.3



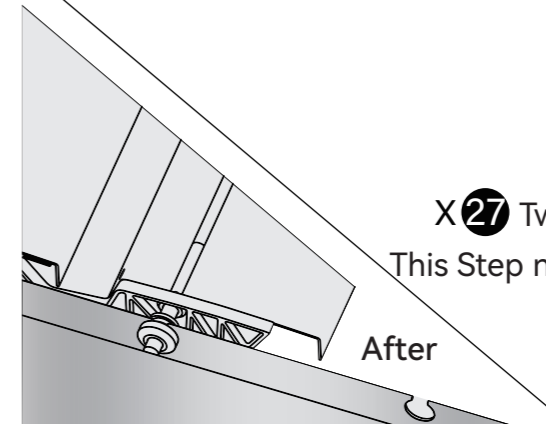
12.4



Before



X<sup>27</sup> Twenty-seven Times Required  
This Step needs 2-3 people to set up a ladder to operate

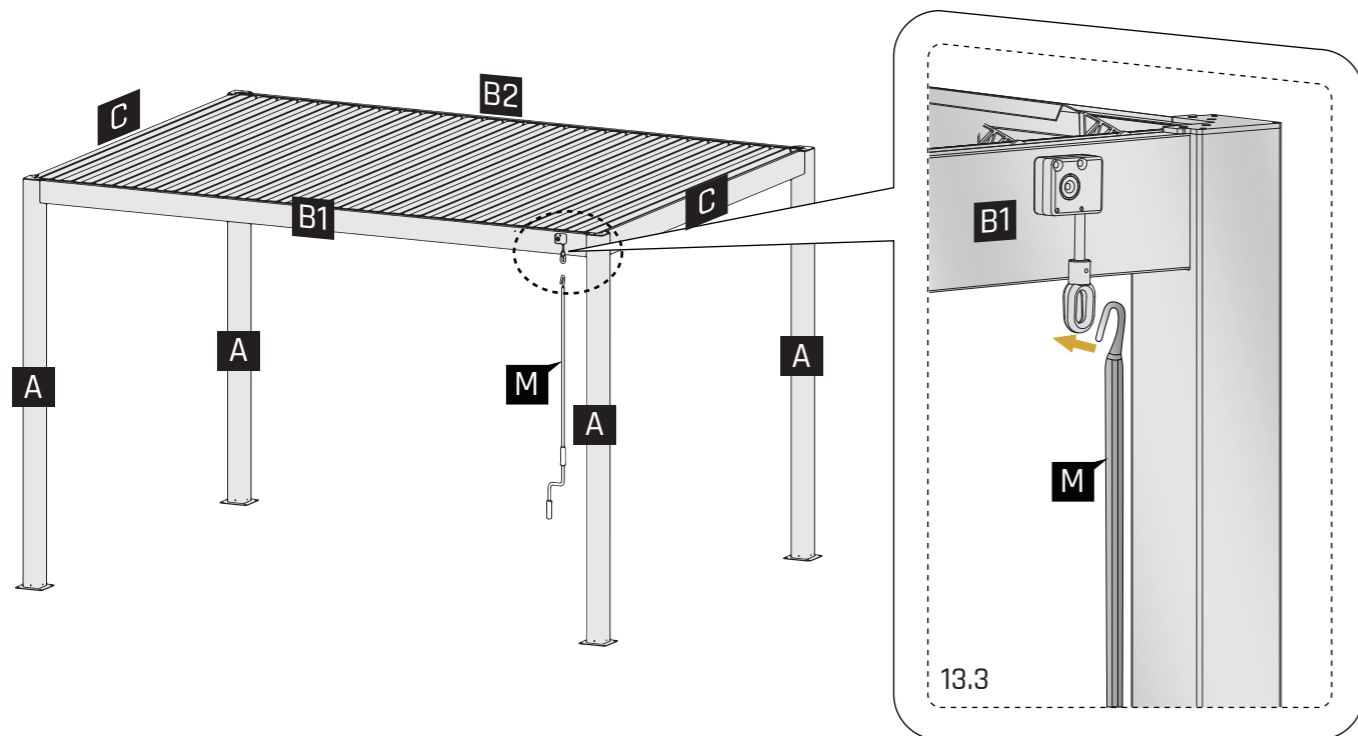
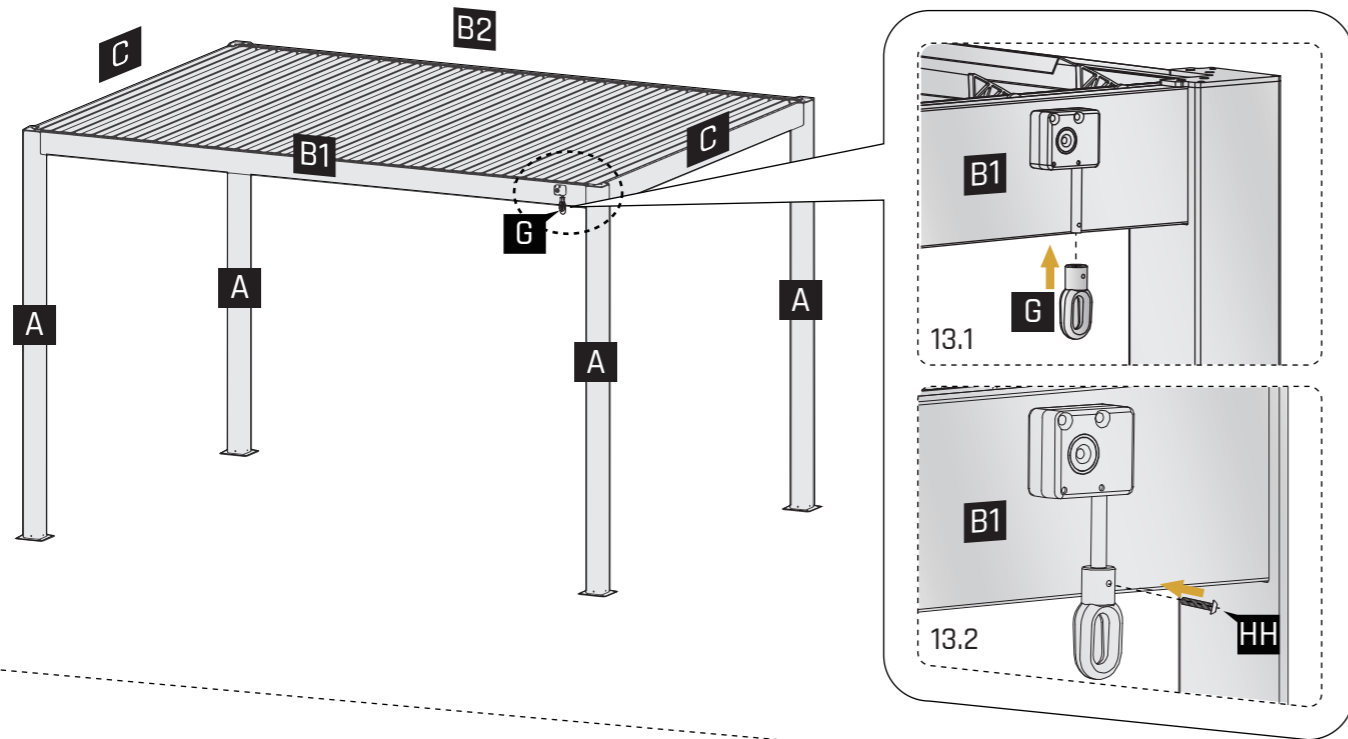
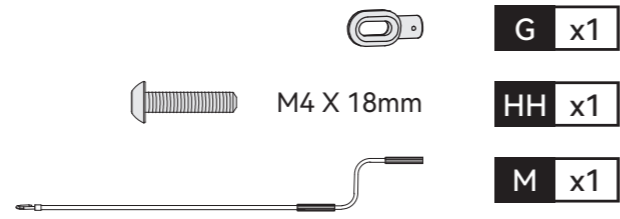


After

STEP

13

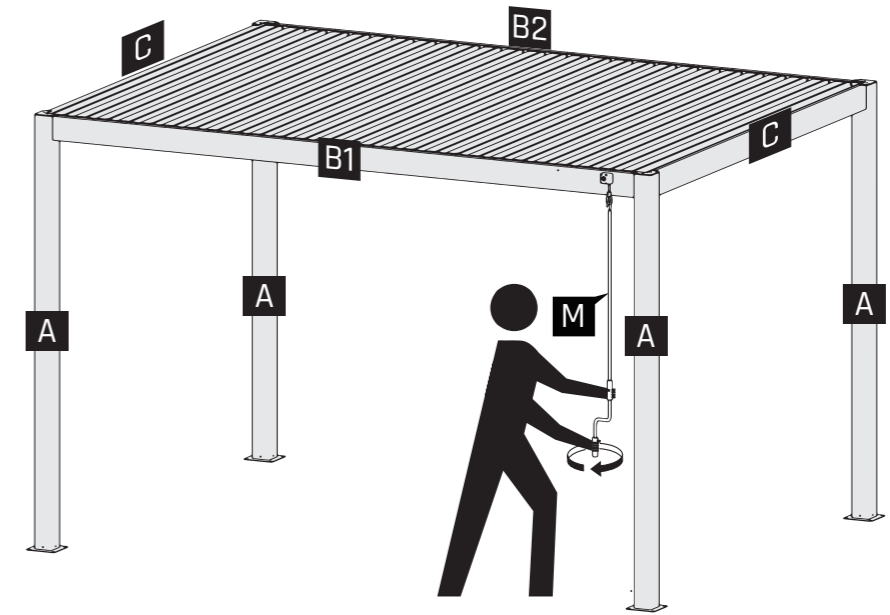
TOP FRAME ASSEMBLY



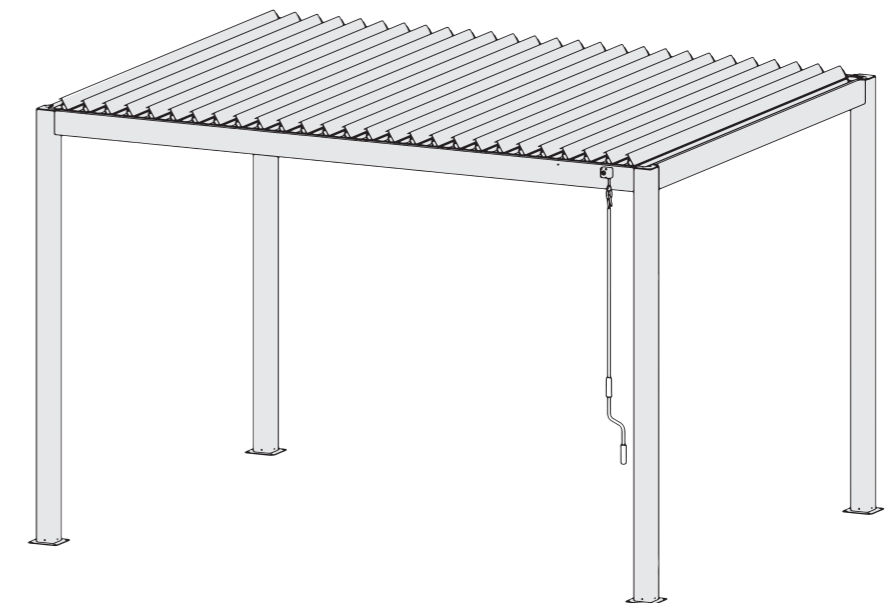
TOP FRAME ASSEMBLY

STEP

14



↓  
OPEN



STEP

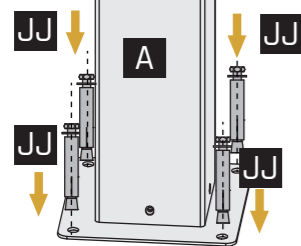
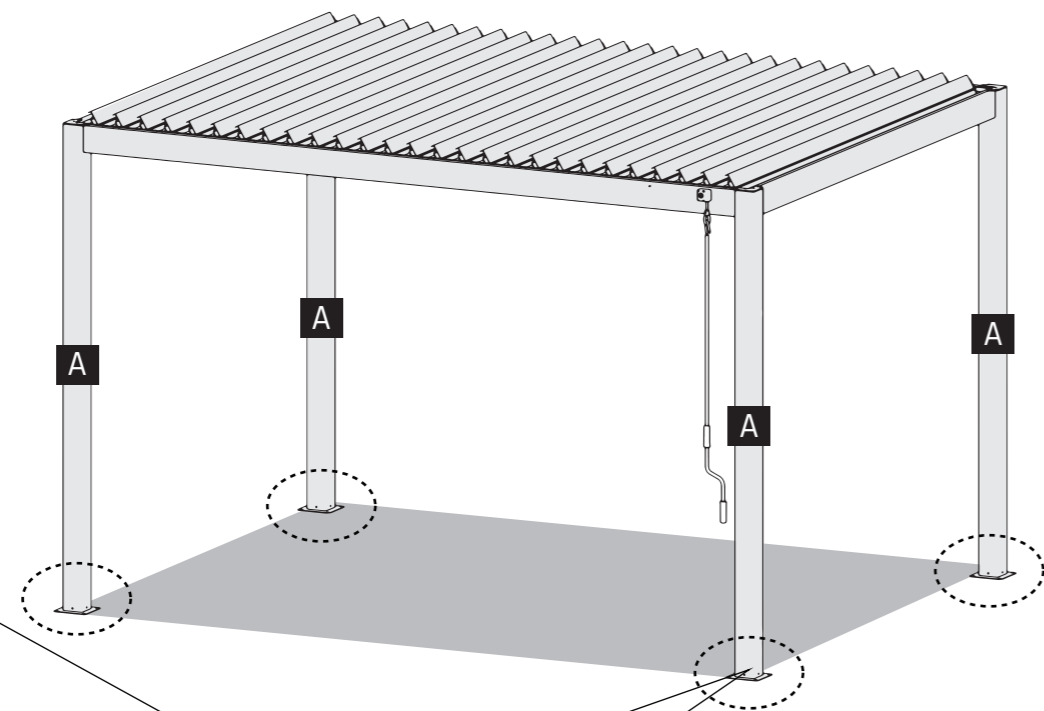
13

REINFORCE FRAME

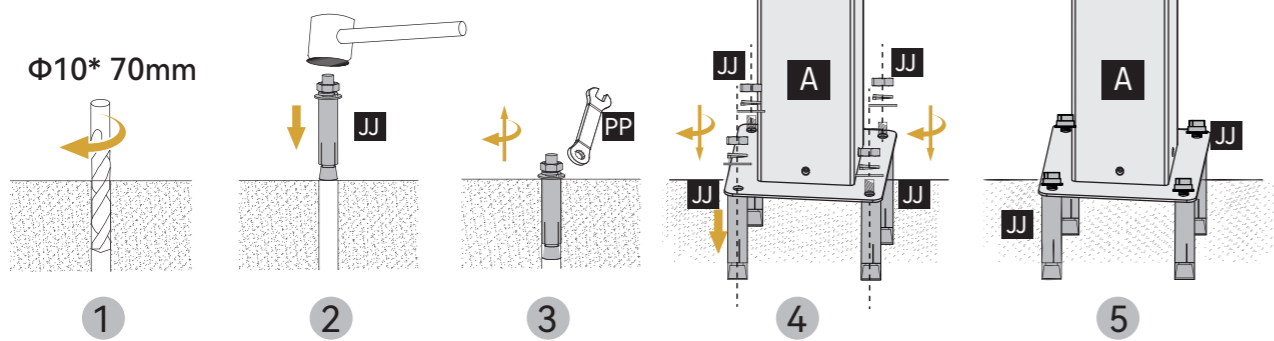


JJ x16

Install On Hard Floor



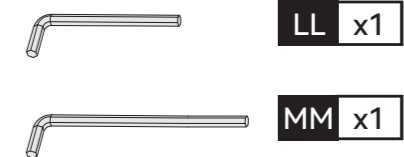
Φ10\*70mm



REPLACE THE TOP ROOF & REMOVE THE TOP ROOF

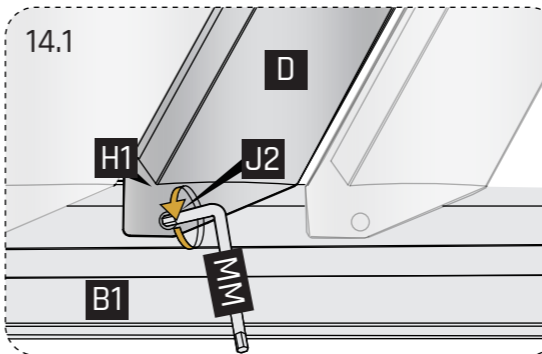
STEP

14

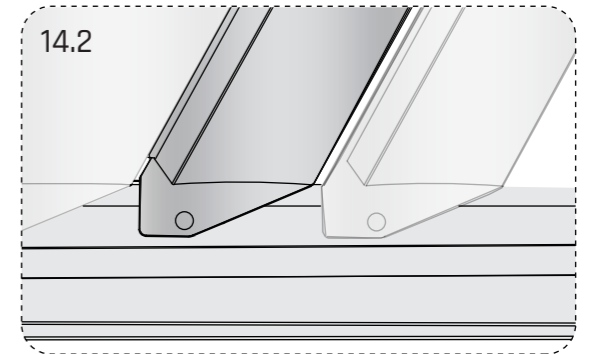


LL x1

MM x1

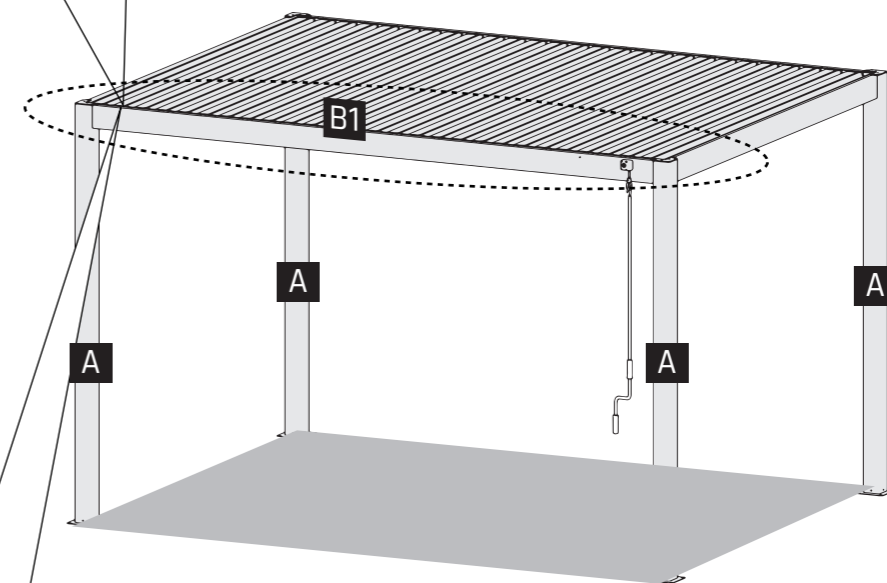


14.1

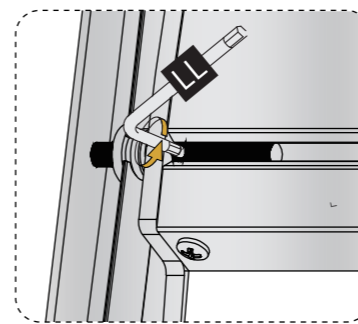


14.2

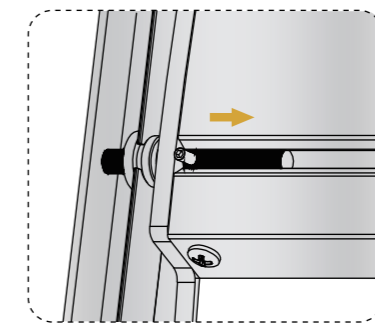
Remove the inner screws and J2 from under the top roof



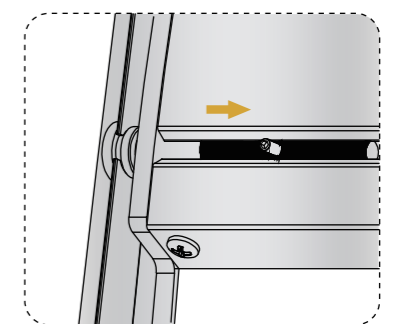
Remove the bearing from the top of the top roof as shown



3



4



5

## REPLACE THE TOP ROOF &amp; REMOVE THE TOP ROOF



## CARING FOR YOUR ITEM

## USE &amp; CARE INSTRUCTIONS

- Always keep children under close supervision while they are using or around this product. Never leave children unattended.
- This product is intended for domestic outdoor use only.
- Do not light any fires below or near the product.
- Check all nuts and bolts periodically for tightness. When required, tighten them again.
- Do not shake, lean or climb on it.

## CLEANING

FRAME: Wash with mild dish soap and water, rinse with clean water, and allow to air dry. Do not use harsh chemicals or abrasive cleaners, or any other special detergents as they may be harmful to the product's finish!

FABRIC: For best results, clean fabric with a damp cloth and allow to air dry thoroughly. Do not machine wash or dry.

## OFF SEASON

To extend the life of your product, remove all fabric components and store inside when not in use. Do not allow heavy snow accumulation to collect on the roof. Remove with a broom whenever possible to prevent frame failures.

