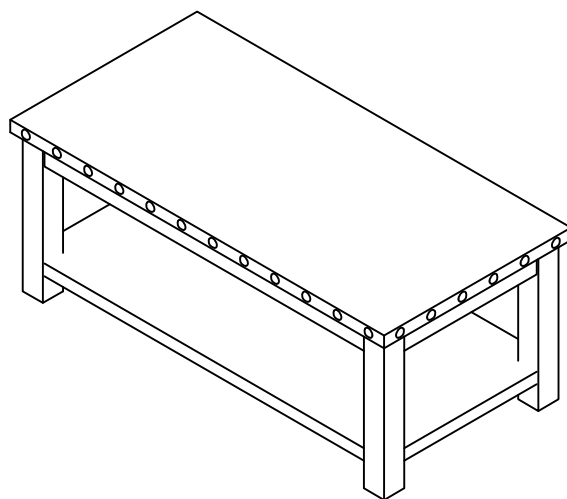


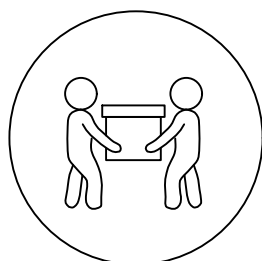
# ASSEMBLY INSTRUCTIONS

---

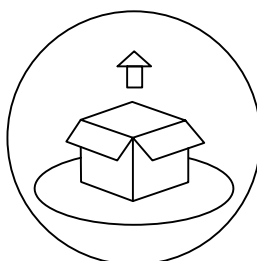


## Notice:

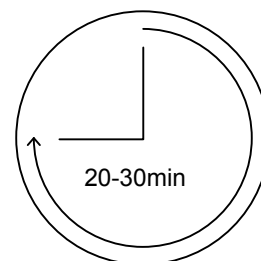
1. Follow the installation instructions. Please confirm all accessories are present before installation.
2. Tighten the screws only after the screw holes of all components are perfectly aligned.
3. If you encounter any issues during installation, please contact our customer service for assistance.
4. Unbox the item from the side labeled "Open", and lay a protective mat or cloth on the floor to avoid scratches.



**Recommended Assembly:**  
2 people

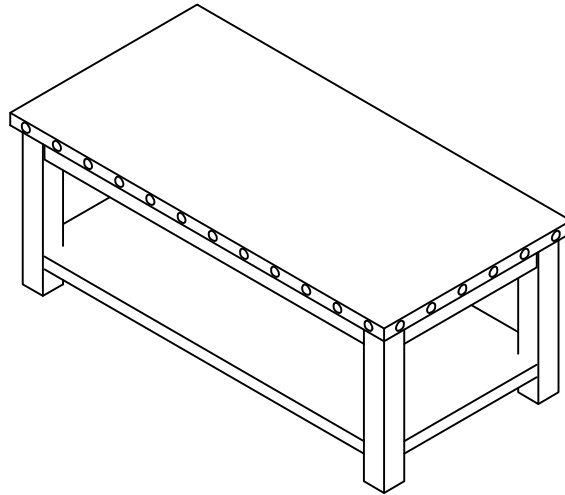


**Lay a protective mat  
or cloth**

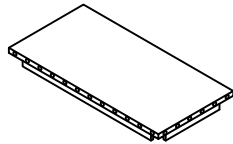




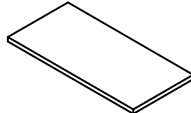
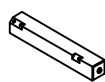


**Estimate installation time**

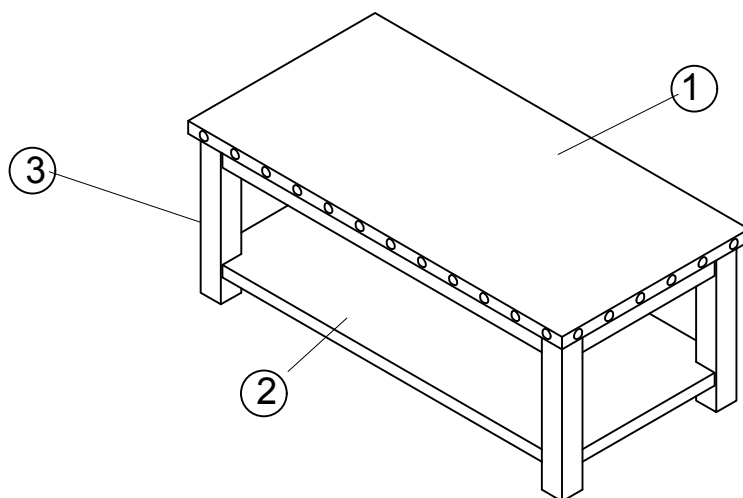
# ASSEMBLY INSTRUCTIONS



is packed in 1 cases

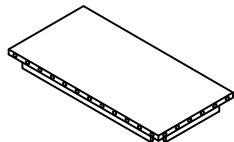
Carton	Designation		Part	Hardware
1/1	Top Panel	①		(A) X  (B) X  (C) X  (D) X 
	Bottom Shelf	②		
	Leg	③		

# ASSEMBLY INSTRUCTIONS



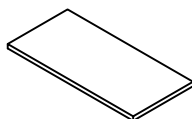
## PARTS

① 1 pc



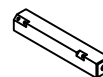
Top Panel

② 1 pc



Bottom Shelf

③ 4 pcs



Leg

## HARDWARE

Ⓐ 12 pcs



Bolt 1/4"x2"

Ⓑ 12 pcs



Flat Washer 1/4"x3/4"

Ⓒ 12 pcs



Lock Washer 1/4"x1/2"

Ⓓ 1 pc

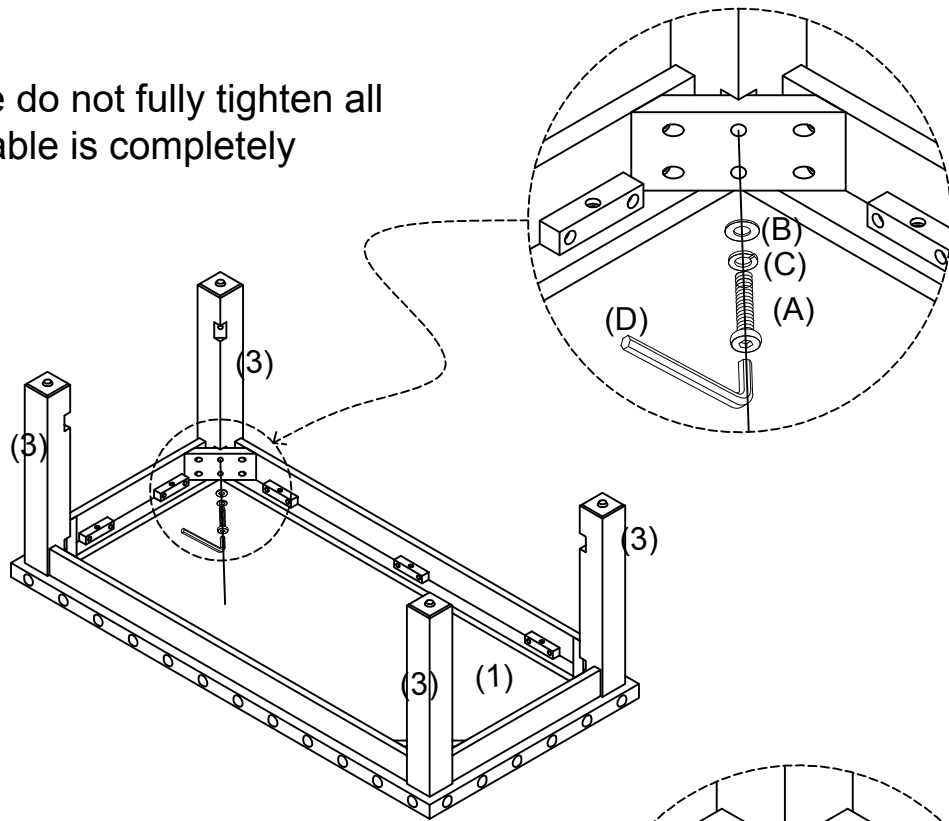


Allen Wrench M4

# ASSEMBLY INSTRUCTIONS

## STEP 1

Caution: please do not fully tighten all bolts until the table is completely assembled!



## STEP 2

