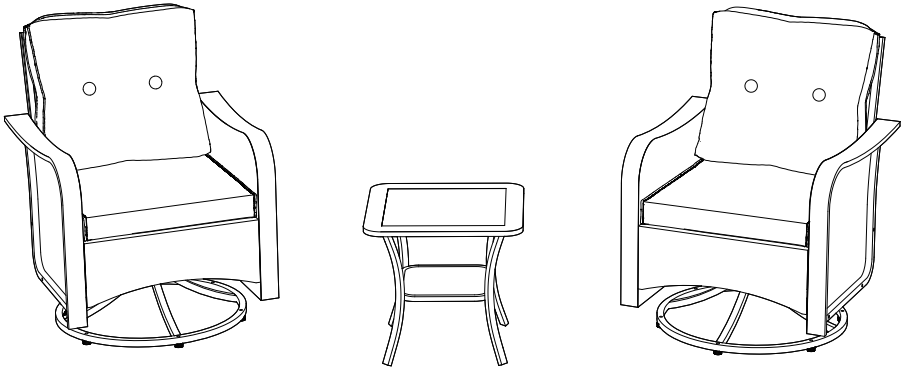


Swivel Glide Sofa Set



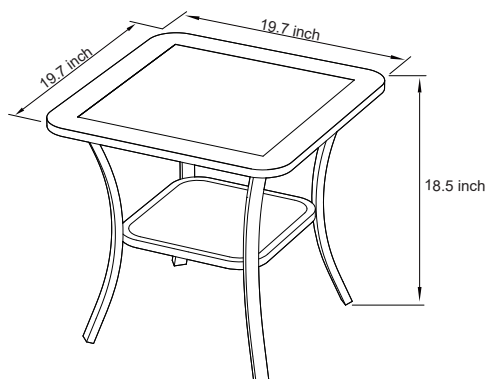
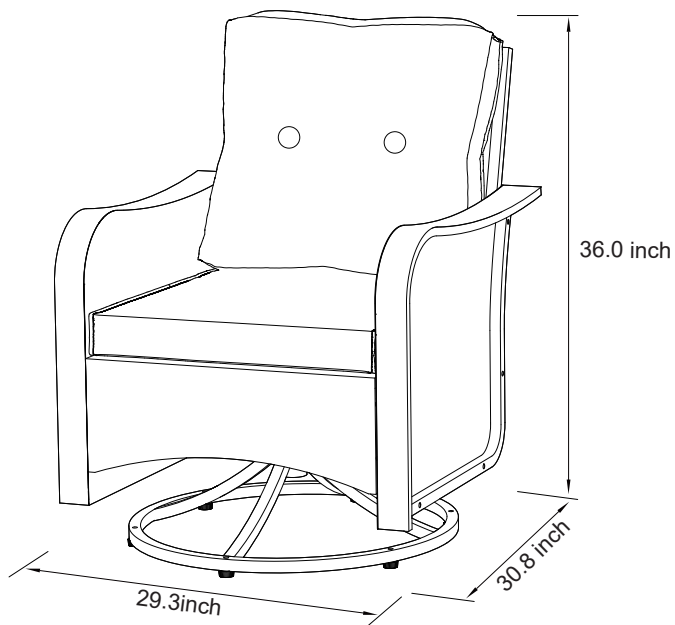
03SGSF23-FB

IMPORTANT

PLEASE READ BEFORE YOU COMMENCE ASSEMBLY

Follow the guidelines in this user guide to ensure correct assembly and care for this product

SPECIFICATIONS



Instructions

Thank you for ordering the Rocking Swivel Chair, here are some tips which may help you:

1. The cushions are vacuum packed, after you open the package, they will fully return to the original thickness after a while.
2. If any part is damaged or missing (please refer to packing list on page 5~6), please feel free to contact us. We will send you the replacement immediately.
3. In order to prolong the sofa set's service life, we suggest that you put all the cushions indoor on a rainy day.
4. We hope you can enjoy our product, if you have any other problem, please feel free to contact us.

How To Cover Holes & Repair Broken Wicker



Step 1



Step 2



Step 3



Step 4

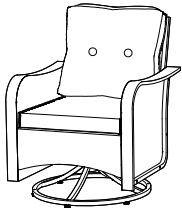
You can use two pieces PE wicker to cover the hole, and repeat the steps to cover all the holes. These PE wicker can also be used to repair the scratch or broken wicker.

Catalog

Specifications.....	01
Instructions.....	02
Catalog.....	03
Warning.....	04
Care & Maintenance.....	04
Packing List.....	05
Parts List.....	06
Extra.....	08
How to Assemble Swivel Glide Sofa	09
How to Assemble Coffee Table	13

ALL WEATHER WICKER PATIO 360-DEGREE SWIVEL ROCKING CHAIR

ASSEMBLY INSTRUCTION



⚠ WARNING: This chair is not a toy. The proper use of the chair is for one-person seating only. Further, the chair is not to be used for standing purposes and it will not function as a stool or step-ladder. Besides, please use this chair on even surfaces only. Chair tested for use at a weight of 250lb. Improper use of this product or failure to use as directed may result in injury. This chair is not intended for commercial use.

IMPORTANT:

Please read all the instructions and warnings before assembling. In order to make the whole product adjust to the best, please install all the screws on the product and tighten all the screws after adjusting the product which can stand on the floor even.

WARNING:

- Please keep all children and pets away from the assembly area. In addition, children and pets should be supervised when they are in the area of product construction.
- Please make sure to keep the assembly area at least 6 feet from any obstruction such as a fence, garage, house, overhanging branches, laundry line or electrical wires.
- Some parts may contain sharp edges. Therefore, when assembling and using this product, basic safety precautions should always be followed to reduce the risk of personal injury and damage to the product. Please read all instructions before assembly and use.
- Please check all bolts for tightness before use. **IMPORTANT**-check and tighten bolts often to keep them secure!
- The chair is not to be used for standing purposes and will not function as a stool or stepladder.

Again, this chair is used on even surfaces only.

- The chair used at the weight of 250lb. Improper use of this product or failure to use as directed may result in injury. Not intended for commercial use.

CARE & MAINTENANCE

SPILLS

Please immediately wipe up the spill using a white damp cloth. Repeat process if necessary until stain is gone.

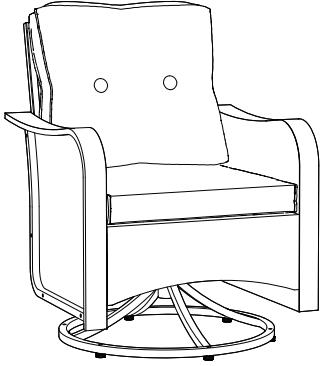
FABRIC CARE

Please use cold water and hand wash, use non-chlorine bleach when needed, lay flat to dry. Cool iron if necessary. Do not dry clean.

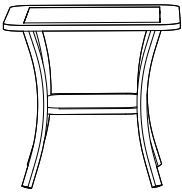
RESIN WICKER PRODUCT CARE

Before using, please clean the product completely with a soft dry towel. Moreover, when the chair not in use, you should wipe off any dirt or loose objects, wash with a mild solution of soap and water, rinse thoroughly and dry completely. Please do not use strong detergent or abrasive cleaners. Since nuts and bolts can loosen over time, so please check nuts and bolts on all chairs and tables, re-tighten if necessary.

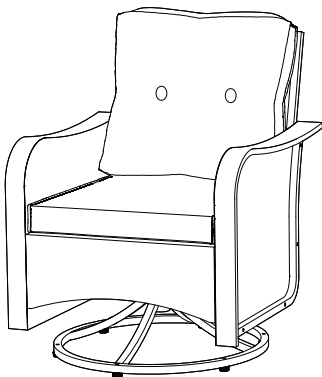
Packing List



Swivel Glide Sofa Set-1



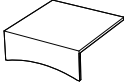

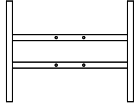
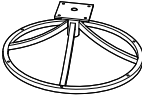


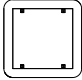
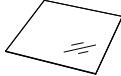




Coffee table


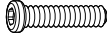
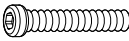
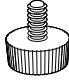
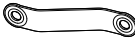



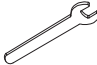



Swivel Glide Sofa Set-2


PARTS LIST

Part	Description	Description	Qty
A		Left armrest	2PCS
B		Right armrest	2PCS
C		Seat bottom	2PCS
D		Backrest	2PCS
E		Connection frame	2PCS
F		Swivel chair base	2PCS
G1		Pillows	2PCS
G2		Cushions	2PCS
H		Coffee table top	1PC
I		Coffee table glass	1PC
J		Coffee table platform	1PC
K		Coffee table legs	4PCS

PARTS LIST

Part	Description	Description	Qty
L		M6x15	8PCS
M		M6x30	12PCS
N		M6x45	36PCS
O		Footbed	12PCS
P		Base connector	8PCS
Q		M6	24PCS
R		Gasket	8PCS
S		Glass Pad	4PCS
T		M6	1PC
U		M6	1PC

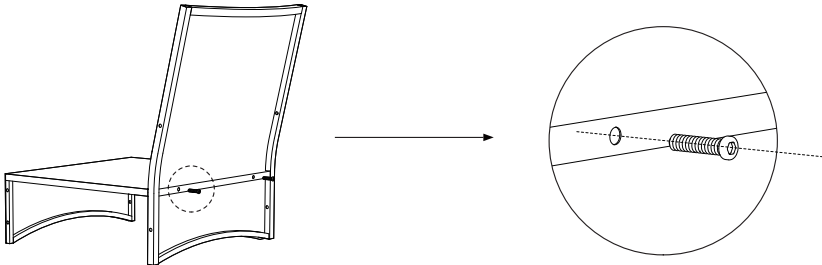
Extra

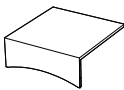
Part	Description	Description	Qty
L		M6x15	2PCS
M		M6x30	4PCS
N		M6x45	4PCS
O		Footbed	2PCS
Q		M6	2PCS
R		Gasket	2PCS
S		Glass Pad	2PCS

WARNING: Failure to locate parts in accordance with these diagrams, or failure to use special parts provided with this equipment, may result in property damage or personal injury.

Step 1: Attach the backrest(D) to the seat bottom(C) with screws.

NOTE: Do not tighten all screws now.



C  x1

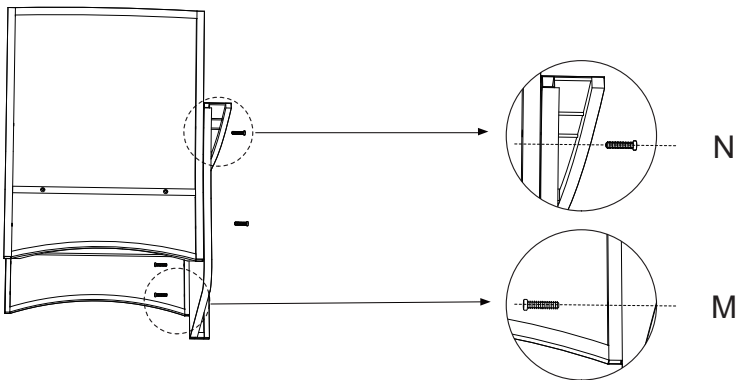
D  x1

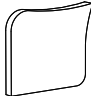
U  x1

N  M6x45 x2

Step 2: Connect the left armrest(A) to the backrest(D) and seat bottom (C) with screws.

NOTE: Do not tighten all screws now.



A  x1

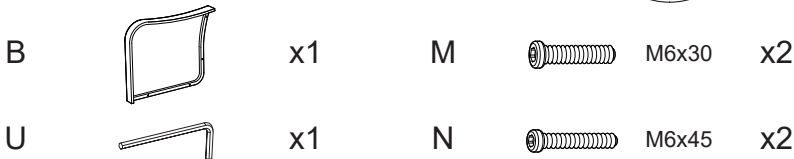
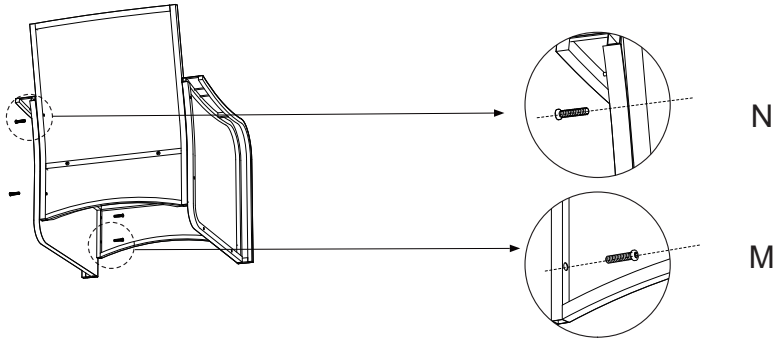
U  x1

M  M6x30 x2

N  M6x45 x2

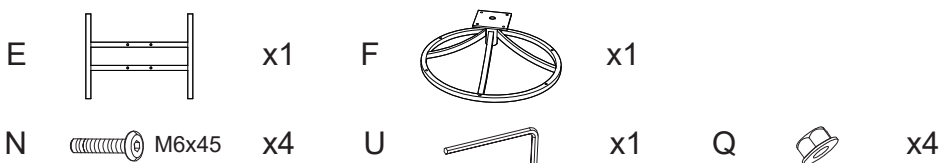
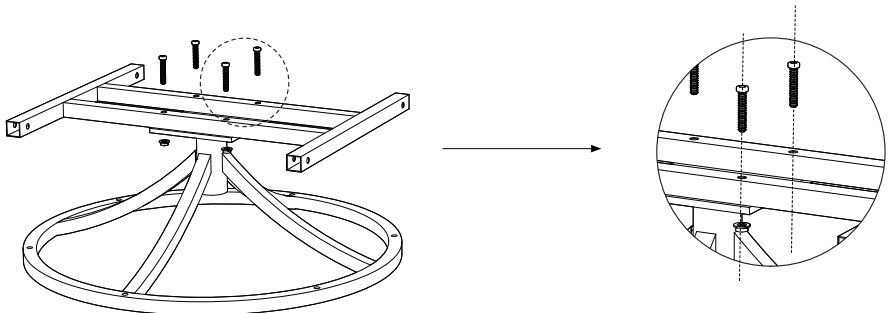
Step 3: Connect the right armrest(B) to the backrest(D) and seat bottom (C) with screws.

NOTE: Please fully tighten all bolts at this time.



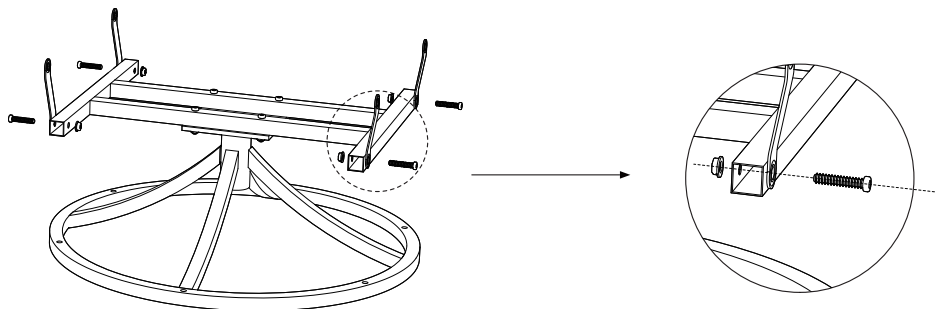
Step 4: Connect the connecting frame(E) and the swivel chair base(F) with screws(N).

NOTE: Please fully tighten all bolts at this time.



Step 5: Connect the base connector(P) to the connecting frame(E) with screws(N).

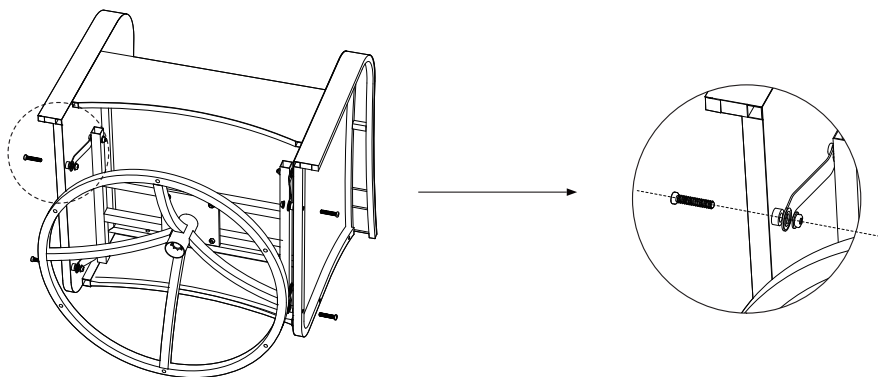
NOTE: THIS STEP IS VERY IMPORTANT. DO READ THE INSTRUCTION AND DIAGRAM CAREFULLY.



- | | | | | | |
|---|--|----|---|--|----|
| P | | x4 | Q | | x4 |
| U | | x1 | N | | x4 |

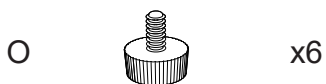
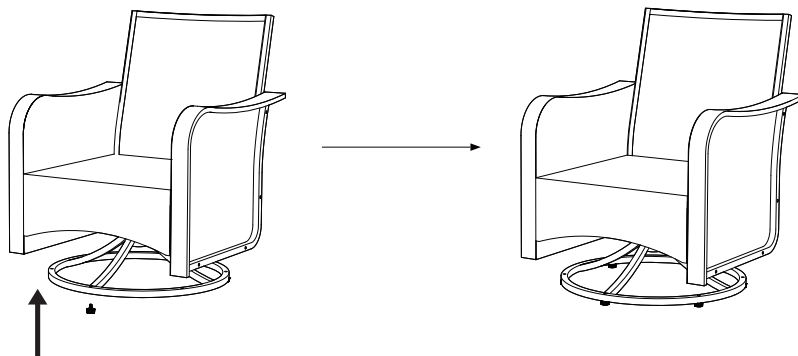
Step 6: Connect the metal strip with the left and right armrests under the sofa with screws.

NOTE: Please attach two screws in diagonal position first to keep the balance, then install the other two screws.



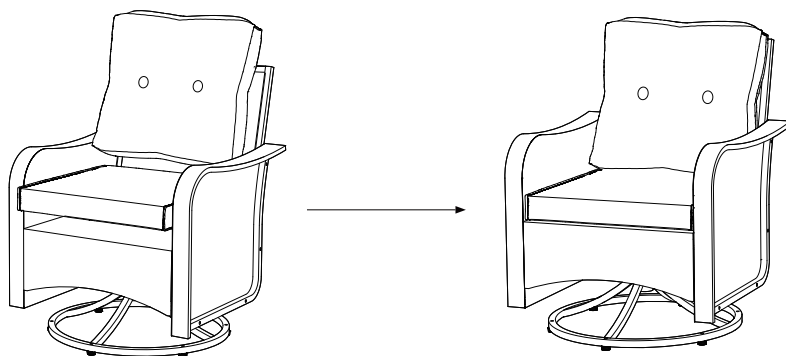
- | | | | | | |
|---|--|----|---|--|----|
| N | | x4 | Q | | x4 |
| R | | x4 | U | | x1 |

Step 7:Tighten the footbed(O).



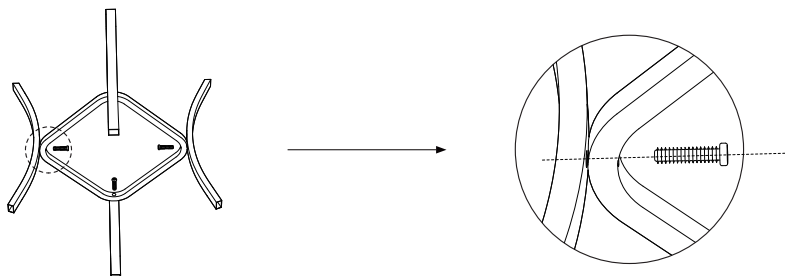
Step 8:Put the seat cushion and pillows on.

NOTE:The cushions can be fixed on the back of the sofa with ties.If you don't need the ties, you can cut them off.



Step 9: Connect the coffee table legs(K) to the coffee table platform(J) with screws(M).

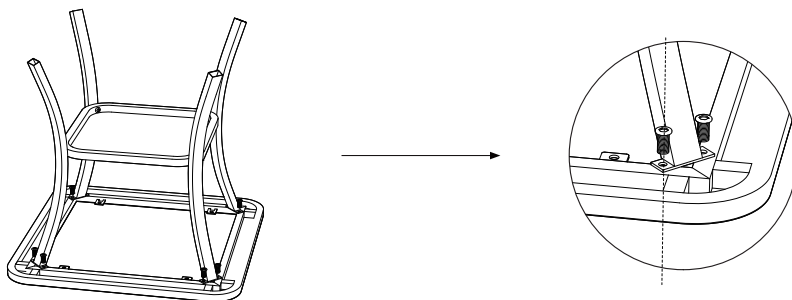
NOTE: Please fully tighten all bolts at this time.



- | | | | | | |
|---|--|----|---|--|----|
| J | | x1 | K | | x4 |
| U | | x1 | M | | x4 |

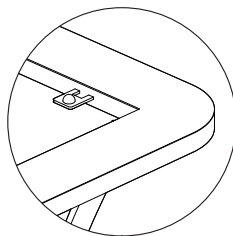
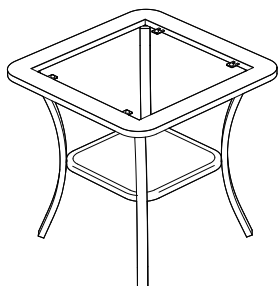
Step 10: Connect the coffee table legs to the coffee table top(H).

NOTE: Please fully tighten all bolts at this time.

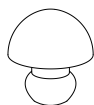


- | | | | | | |
|---|--|----|---|--|----|
| H | | x1 | U | | x1 |
| L | | x8 | | | |

Step 11:Place the glass pad(S) on the metal piece of the coffee table top(H).

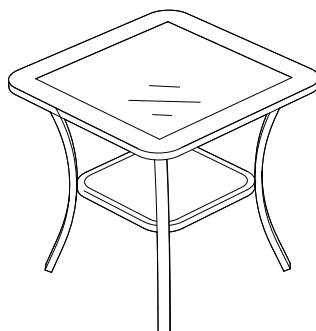
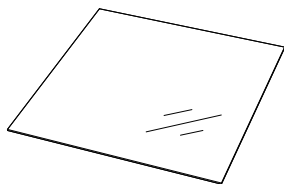


S



x4

Step 12:Place the coffee table glass on the surface of the coffee table.



I



x1