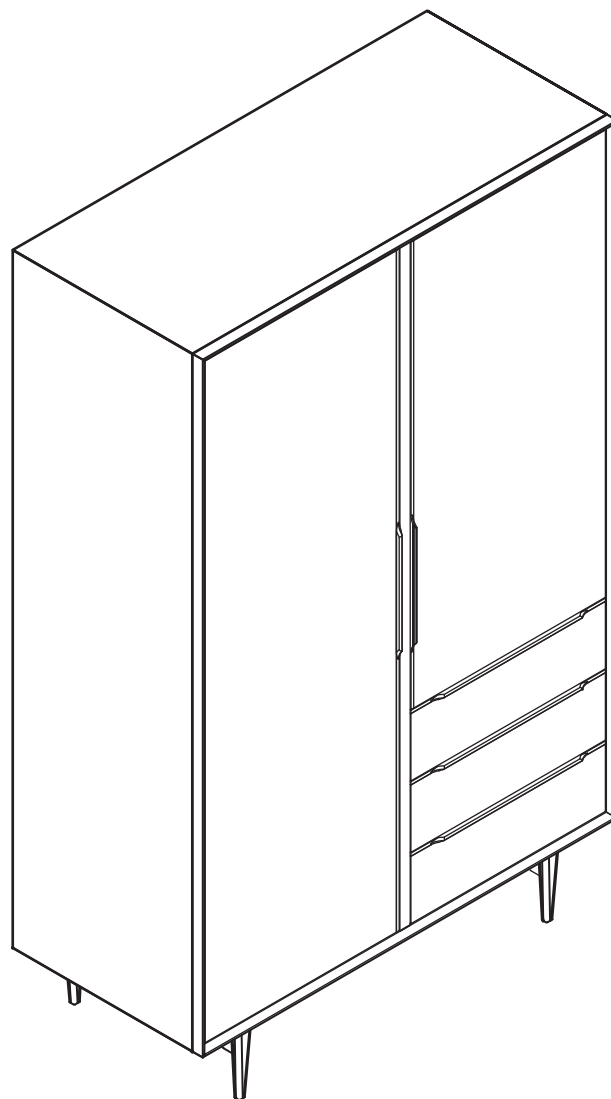


# POLY & BARK

Assembly Instructions

## Maro Wardrobe

V1.08.20.25 | ITEM# BD-K021



[polyandbark.com](http://polyandbark.com)

Assembly Instructions

# Maro Wardrobe

## ASSEMBLY REQUIREMENT

**2 PEOPLE ASSEMBLY | 15 MINUTES ASSEMBLY TIME (APPROXIMATE)**

**TOOL REQUIRED: ALLEN WRENCH (PROVIDED)**

**SCREWDRIVER AND DRILL (NOT PROVIDED)**

## ASSEMBLY PREPARATION

1. Remove all packaging materials, staples and packaging straps from carton.
2. Refer to Parts Checklist and ensure they are complete before you start assembling.
3. Place all components on a clean, flat and soft surface (e.g. carpet or rug) to prevent parts from getting scratched.

## TIPS FOR ASSEMBLY

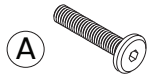
1. Allow ample room for assembly and in close proximity to where product will be placed.
2. Assemble the product on a surface that does not scratch or damage the exterior and finish of the furniture.
3. During assembly, do not over-tighten any fittings as this may cause damage.
4. **DO NOT USE POWER TOOLS TO ASSEMBLE THIS PRODUCT.**
5. Do not sit or stand on the partially assembled product, only use the product for which it is intended.

## CARE AND USE

- Recommended for indoor and residential use only.
- Wipe with a soft, dry cloth. Do not use harsh abrasives or household cleaners as they may damage the finish.
- Check all the fittings periodically and re-tighten as necessary. Do not use the product if any of the parts is damaged or broken.
- Never allow any kind of liquid to remain on your furniture. Absorption can cause surface to warp or delaminate.
- Do not place hot items (e.g hot drinks) directly onto the surface.
- To ensure the safety of you, your family, and your guests, this item must be secured to the wall according to the product's assembly instructions.
- Do not drag and/or pull the furniture.

**SAFETY PRECAUTIONS: 1. KEEP ALL HARDWARE PARTS OUT OF REACH OF CHILDREN. 2. DISPOSE PLASTIC PACKAGING MATERIAL IMMEDIATELY TO AVOID ANY RISK OF SUFFOCATION TO CHILDREN AND ANIMALS. 3. TO PREVENT INJURY AND PROPERTY DAMAGE FROM UNEXPECTED TIPPING OF FURNITURE, WE HIGHLY RECOMMEND INSTALLATION OF THE ANTI-TIP KIT INCLUDED WITH THIS PRODUCT.**

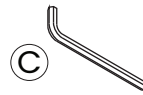
## PARTS CHECKLIST



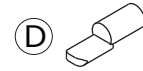
x14 Bolts  
(M6x45)



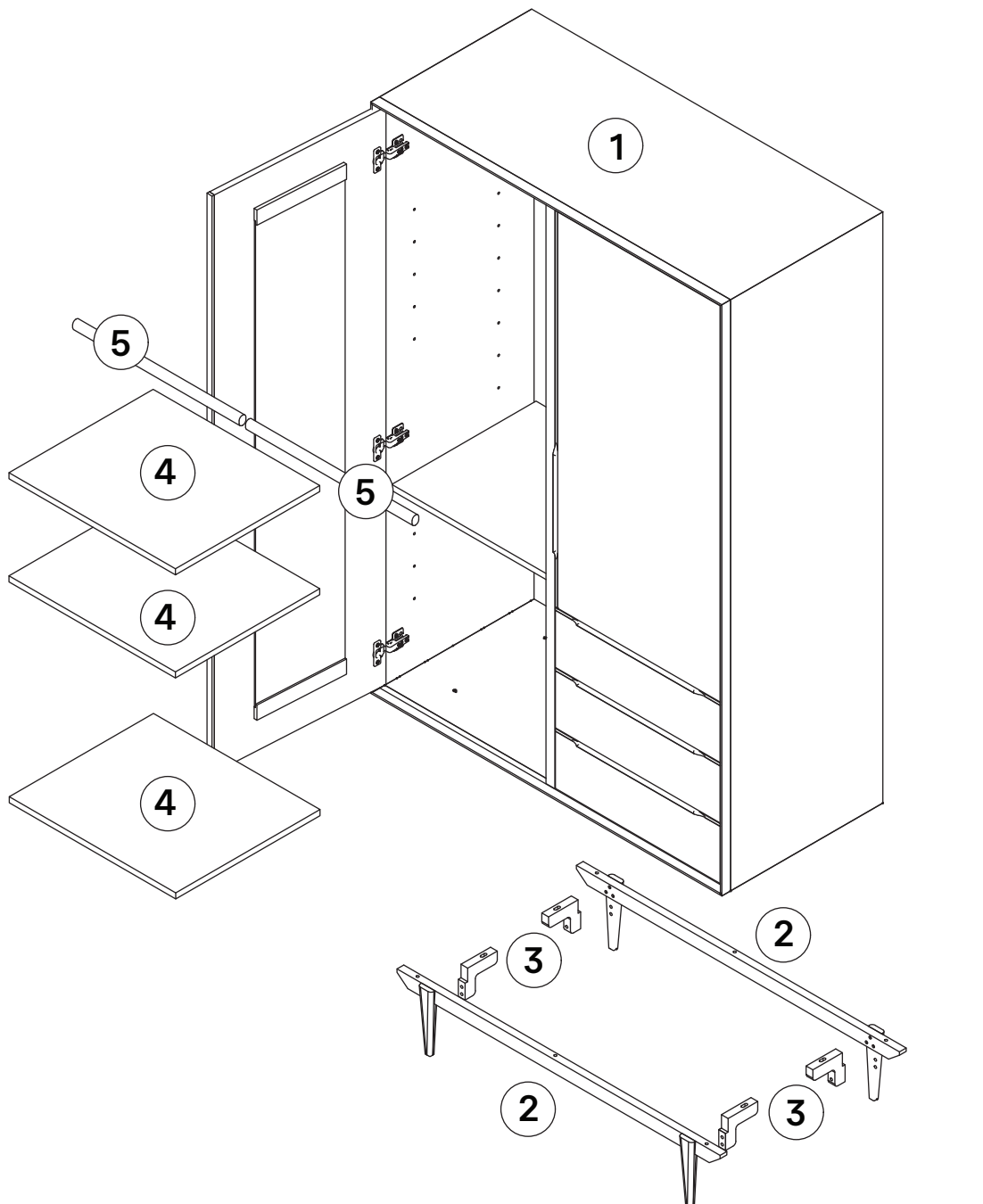
x4 Wooden Dowels  
( $\varnothing$ 7.7x30)



Allen Wrench



x12 Shelf Pins



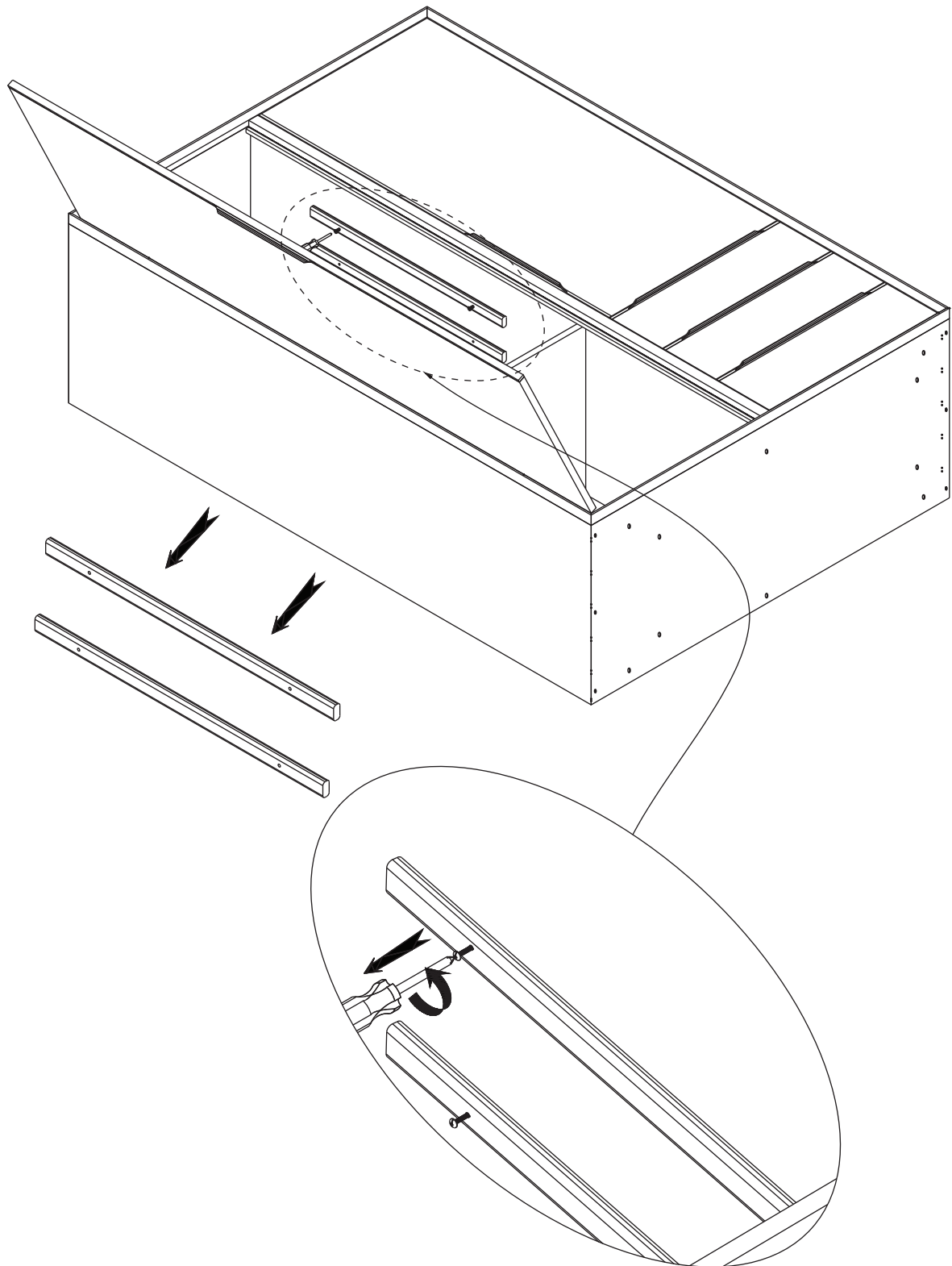
① Wardrobe

② x2 Leg Frames

③ x4 Support Legs

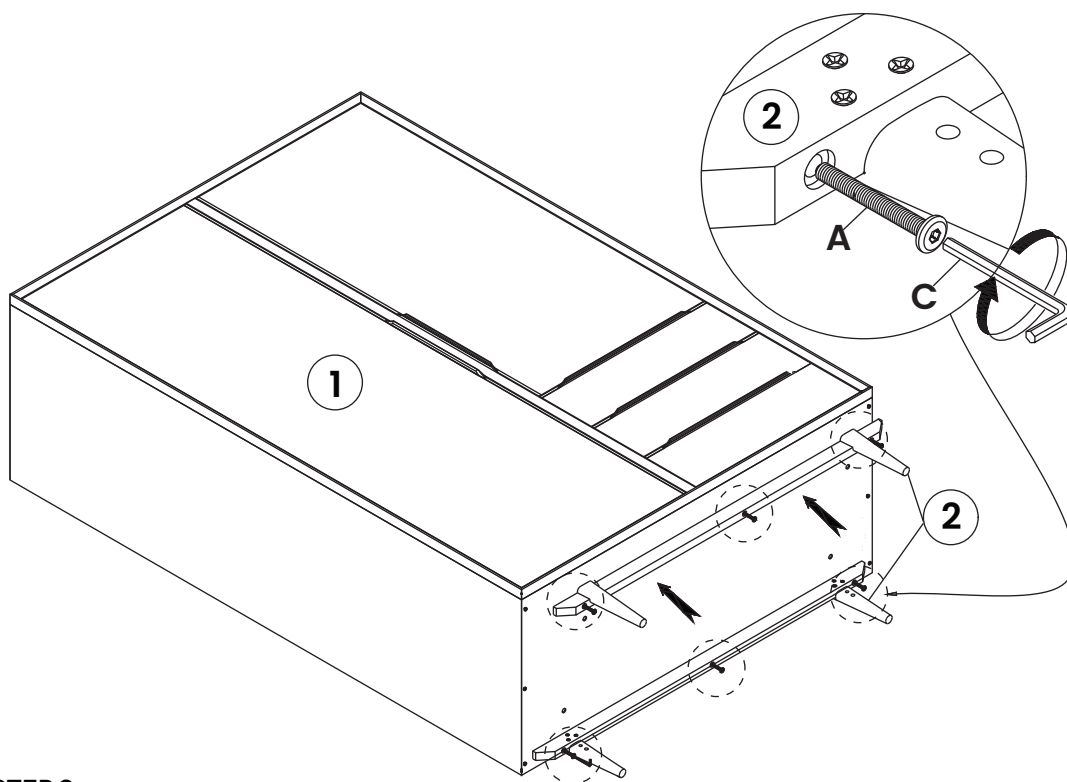
④ x3 Shelves

⑤ x2 Hanger Rails



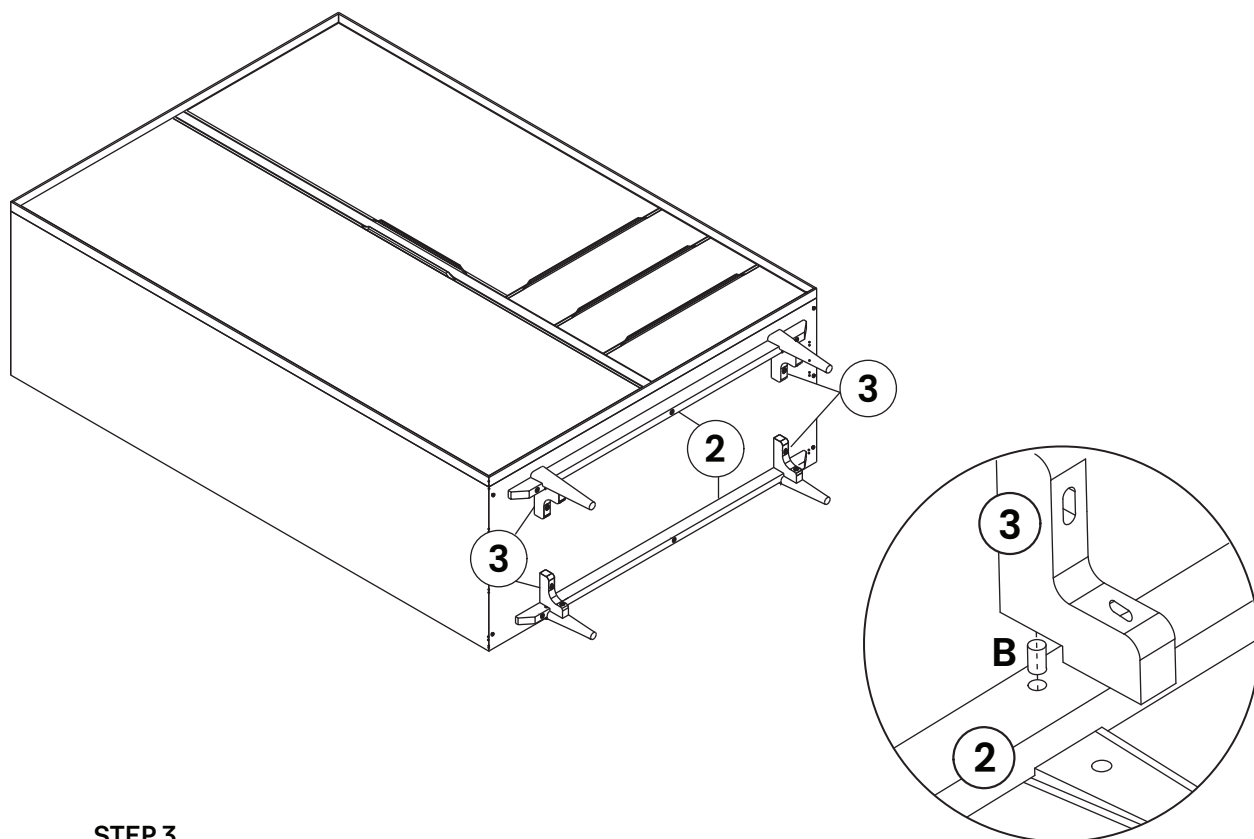
**STEP 1.**

With the help of another person, carefully place the Wardrobe on its back on the soft and clean surface. Take out hanging bars inside the Wardrobe by unscrewing with Screwdriver, as shown.



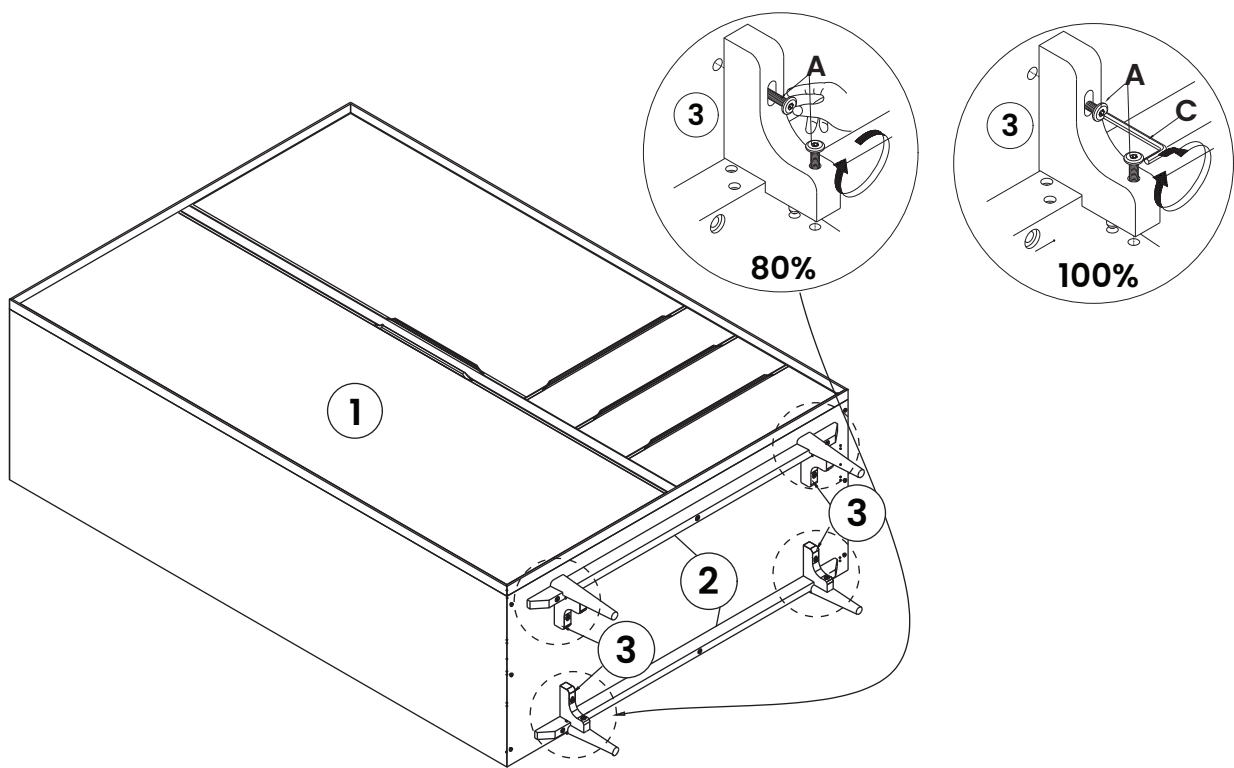
**STEP 2.**

Attach Leg Frames (2) to Wardrobe (1) using Bolts A. First, hand-tighten the bolts, then fully tighten with Allen Wrench C.



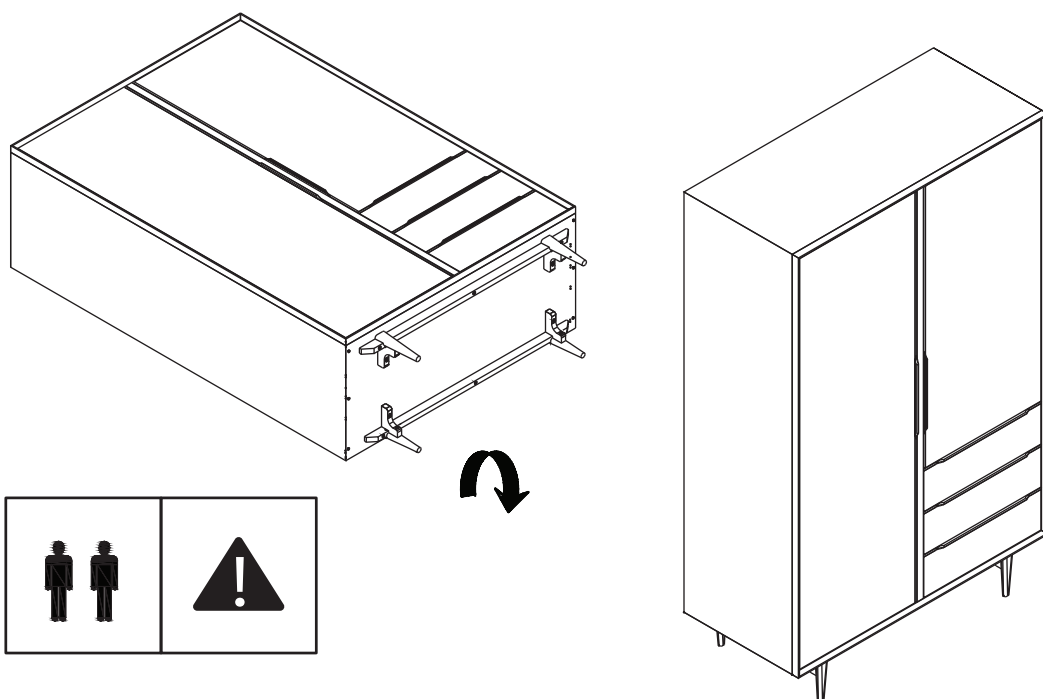
**STEP 3.**

Insert Dowels B into the Leg Frames (2). Then, attach Support Legs (3) to secure them together, as shown.



**STEP 4.**

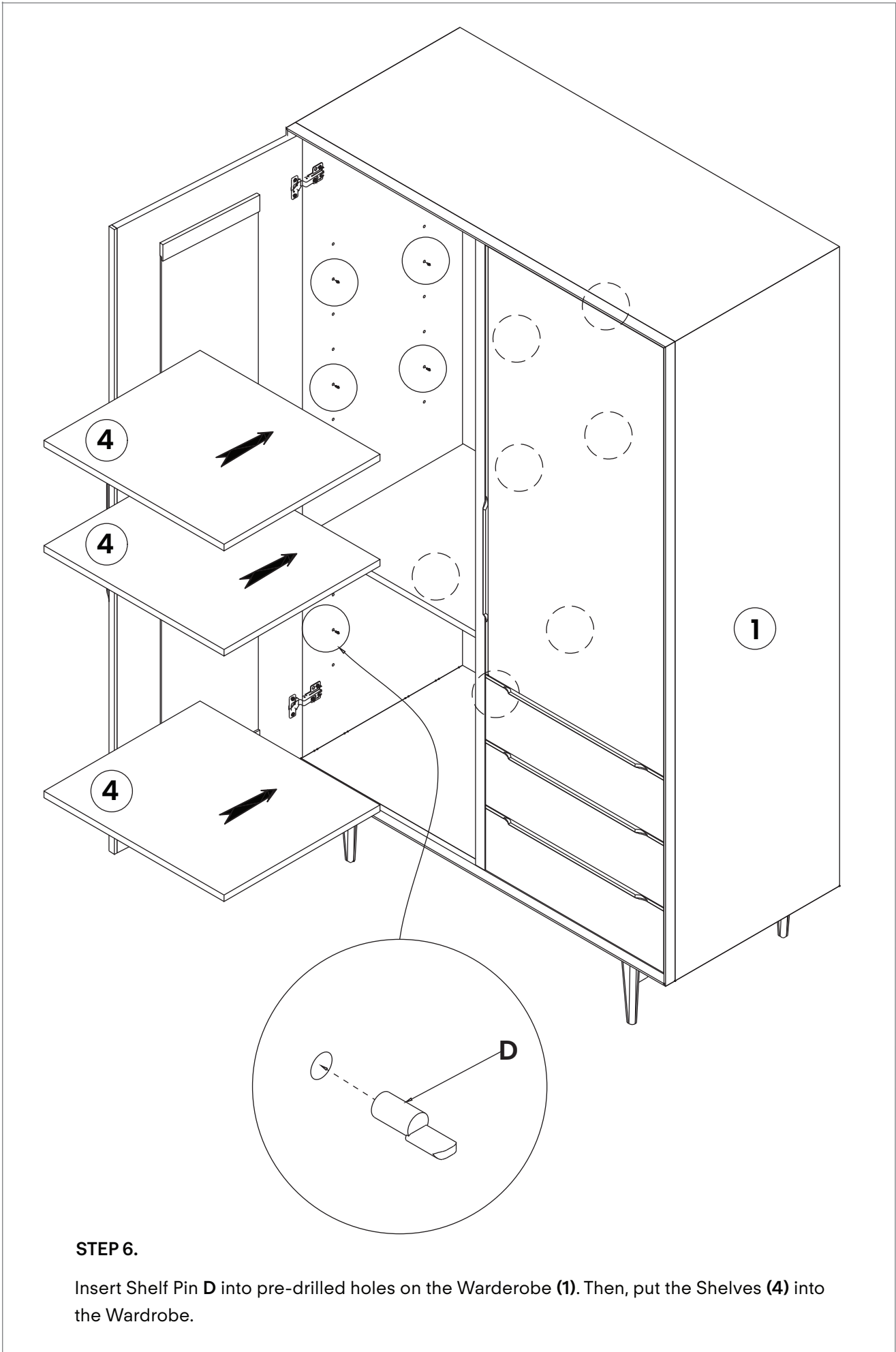
Attach Support Legs (3) to the Wardrobe (1) and Legs Frames (2) using Bolts A. First, hand-tighten the bolts, then fully tighten using Allen Wrench C.

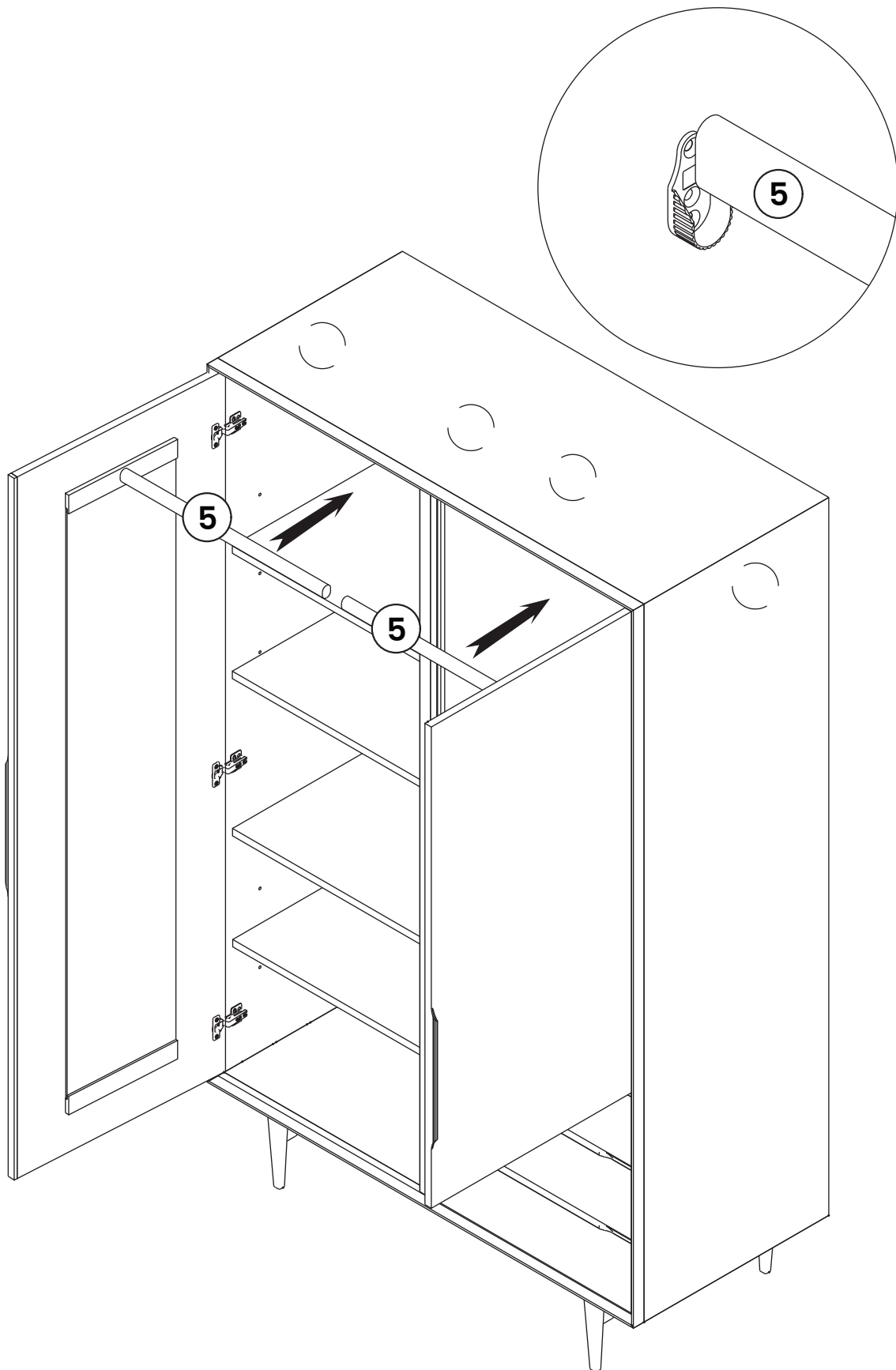


**STEP 5.**

With the help of another person, carefully place the Wardrobe upright.

**Note:** When the Wardrobe is tilted upright, no weight should be placed on the back legs.



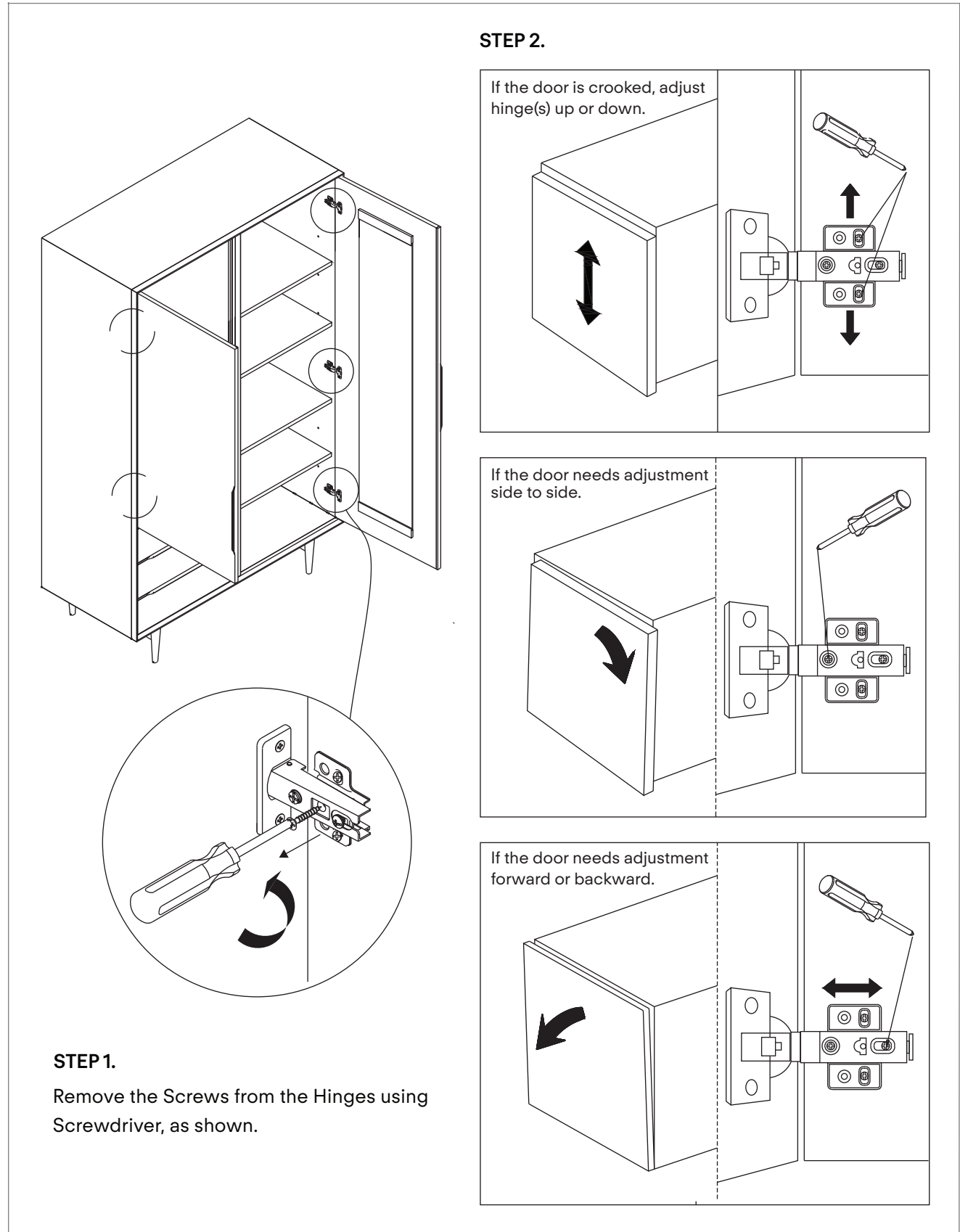


**STEP 7.**

Insert and hang the Hanging Rails (5) into the designated slots inside the Wardrobe.  
The Wardrobe is all set! Load it up with your stuff and enjoy!






# Maro Wardrobe

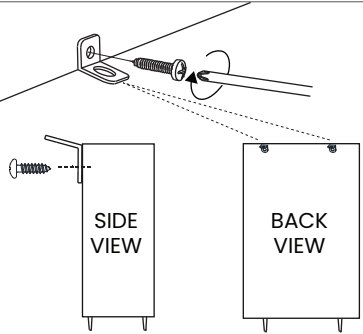
During shipping, the doors of your wardrobe may have shifted slightly. This can easily be corrected by tightening a few screws. Always start by adjusting the top hinge on the affected door.



- To prevent injury and property damage from unexpected tipping of furniture, we highly recommend installation of the anti-tip kit included with this product.
- Requires installation Before Use.
- Requires Screwdriver.
- Requires 8MM/5/16" Drill Bit.

**ANTI-TIP KIT PARTS CHECKLIST**

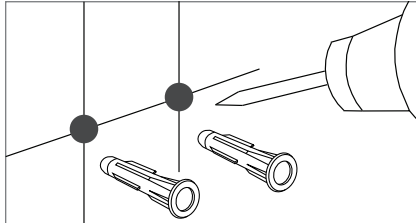
				
x4 Brackets	x2 15MM Screws	x2 30MM Screws	x2 Plugs	x2 Straps



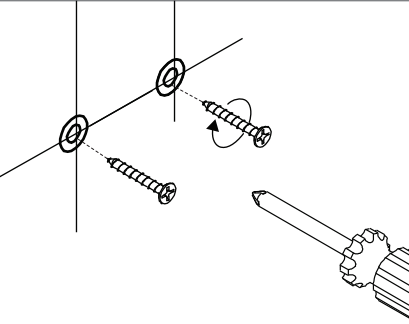
**STEP 1.**  
Attach the bracket to the pre-drilled hole at the back of the wardrobe using short screws, and tighten with a screwdriver.



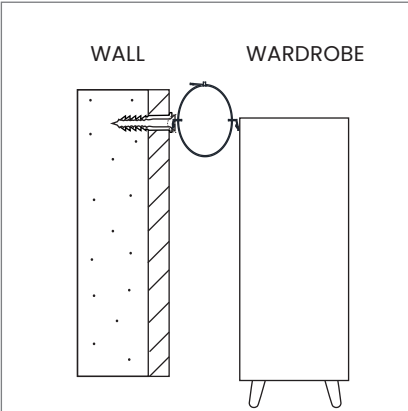
**STEP 2.**  
Mark on wall where second pair of brackets should be placed.



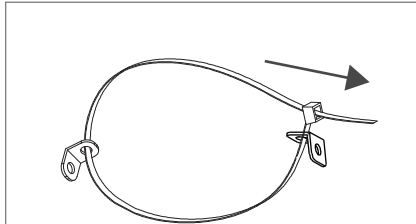
**STEP 3.**  
Drill holes in wall using 8MM drill bit. Insert the plugs



**STEP 4.**  
Attach bracket securely to the wall using long screw provided through the small hole.



**STEP 5.**  
Align brackets on the wardrobe with brackets on wall.



**STEP 6.**  
Lace the strap through the larger hole in each bracket. Slide the flat end through the locking end and pull tight to remove all slack. Ensure the strap is securely fastened.


## Missing something?


We work very hard to ship a perfect product but sometimes furniture or hardware goes missing or gets damaged in transit.

Please contact us and we'll quickly make it right.



Need some help? Our support team is here for you.

 [help@polyandbark.com](mailto:help@polyandbark.com)

 1 (855) 310-1450

 [polyandbark.com](https://polyandbark.com)