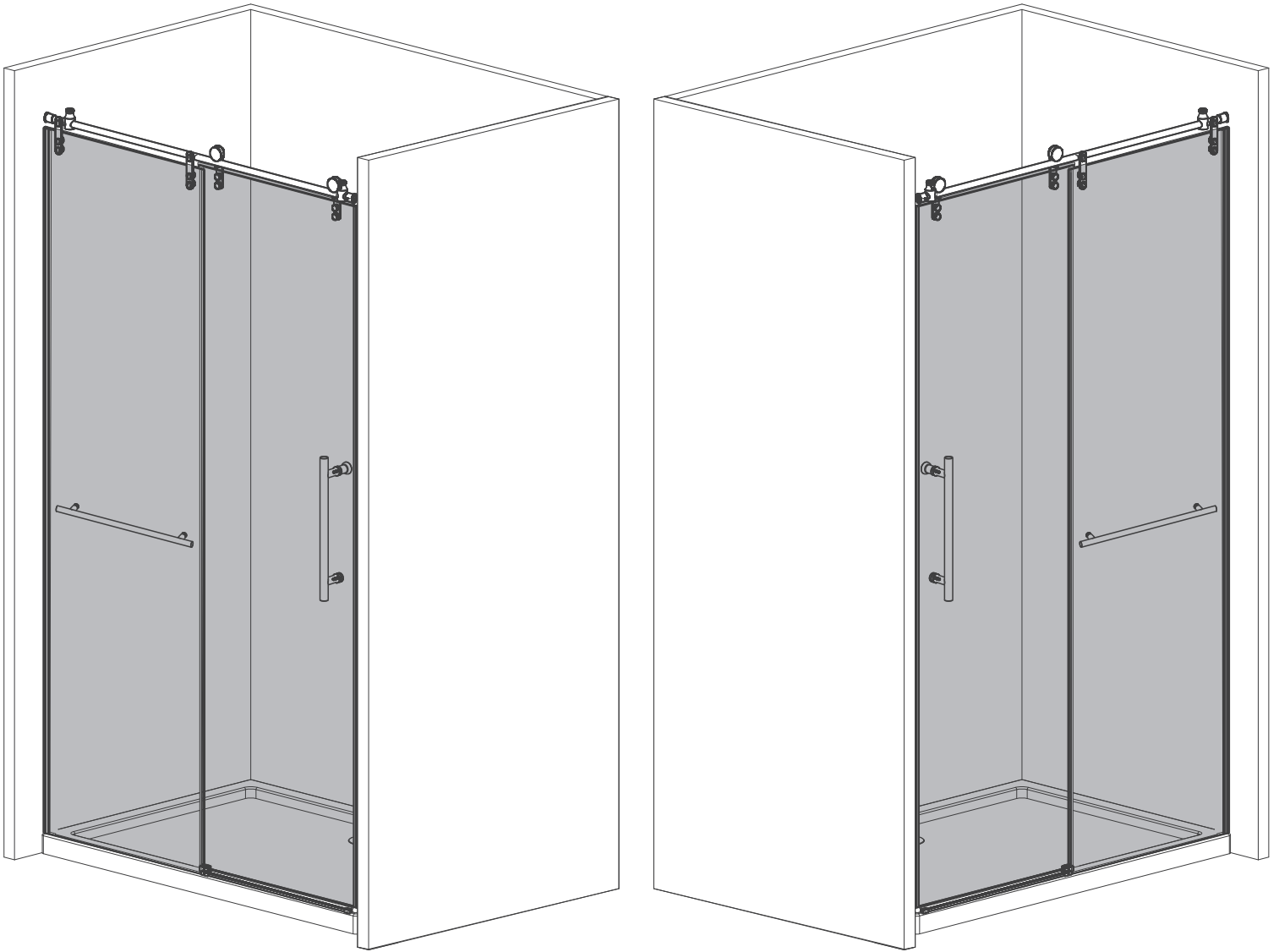
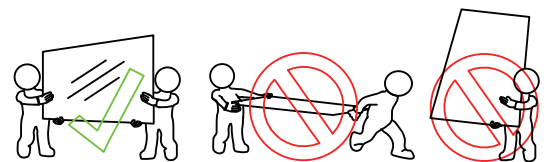


INSTALLATION MANUAL

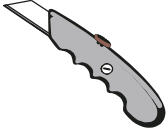



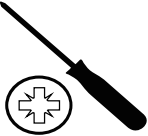
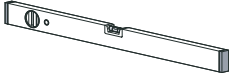
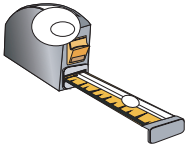
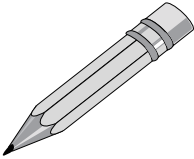
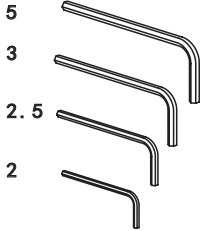
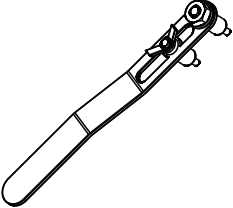


PF-125	1524X1676MM	60"X66"
	1524X1930MM	60"X76"
	1372X1930MM	54"X76"
	1219X1930MM	48"X76"



NOTE: Installation Requires 2 People

Tools and Materials

		 <div style="display: flex; justify-content: space-between; font-size: small;"> ∅ 6mm 15/64" ∅ 8mm 5/16" </div>		
Knife	Hack Saw	Drill	Caulk Gun	Screwdriver
				
Level	Tape Measure	Pencil	Allen Key	Adjustment Wrench

Before You Begin

⚠ CAUTION: Risk of injury. Always wear safety glasses when cutting or drilling.

⚠ CAUTION: Risk of injury or product damage. Tempered glass cannot be cut.

- Before starting the installation, lay out and identify the parts. Inspect them for damage.
- The bath/shower or receptor should be installed/prepared at this time, including finished wall materials.

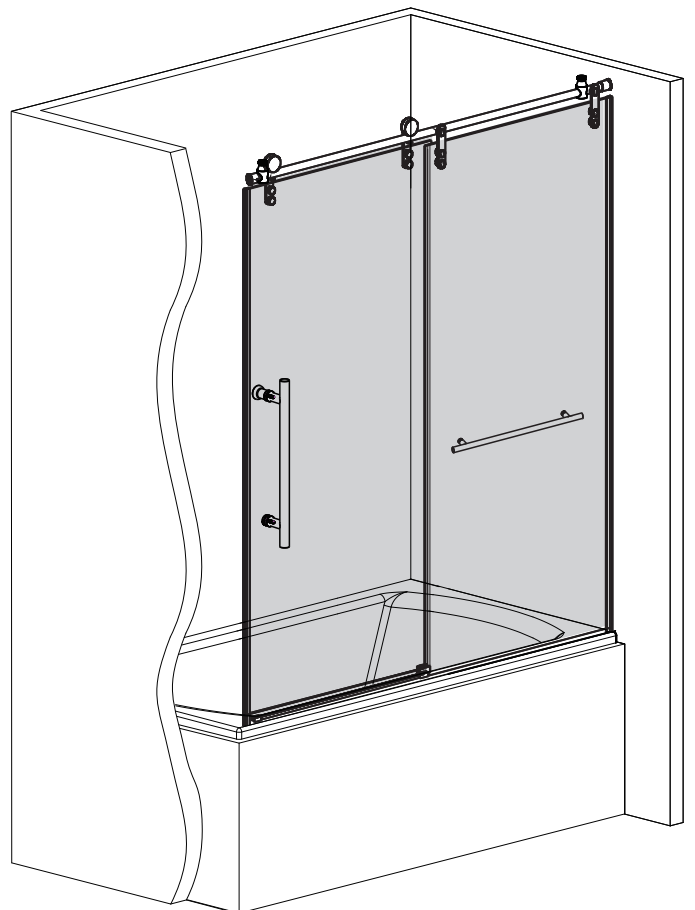
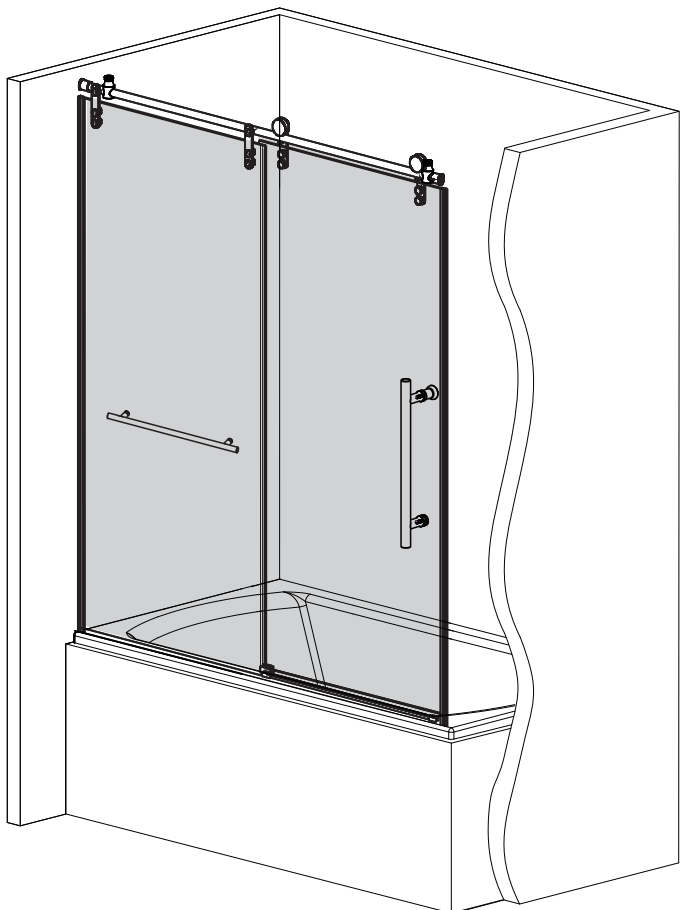
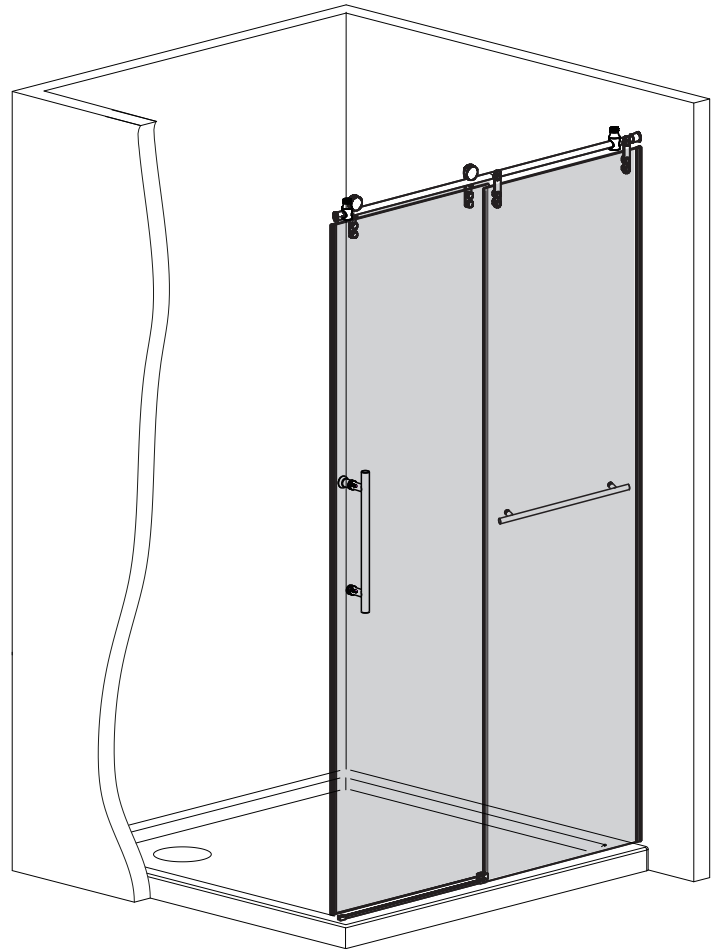
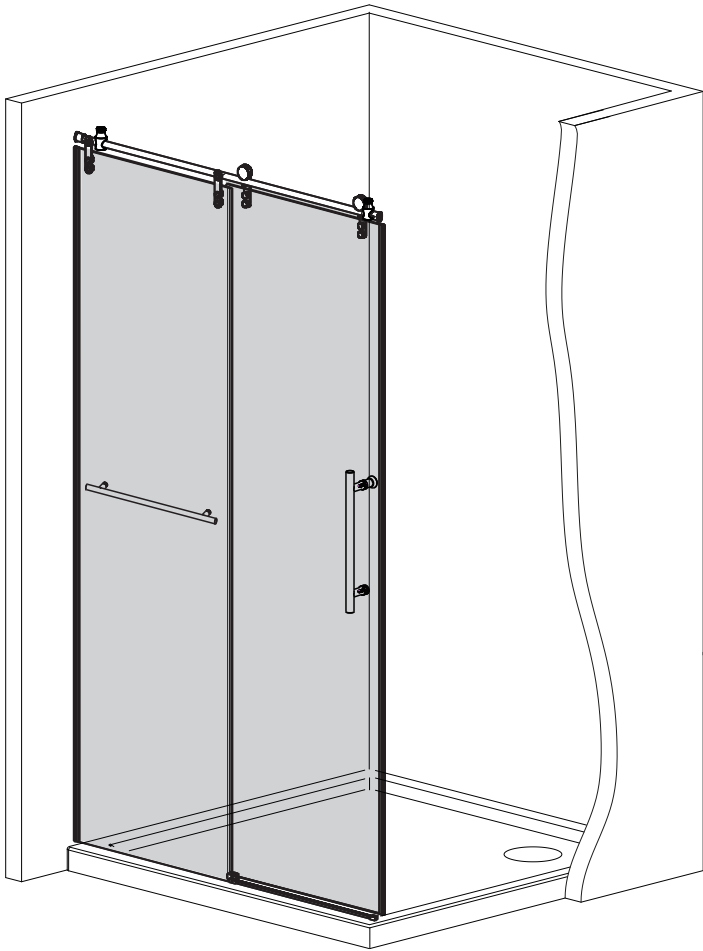
Shower Door Care

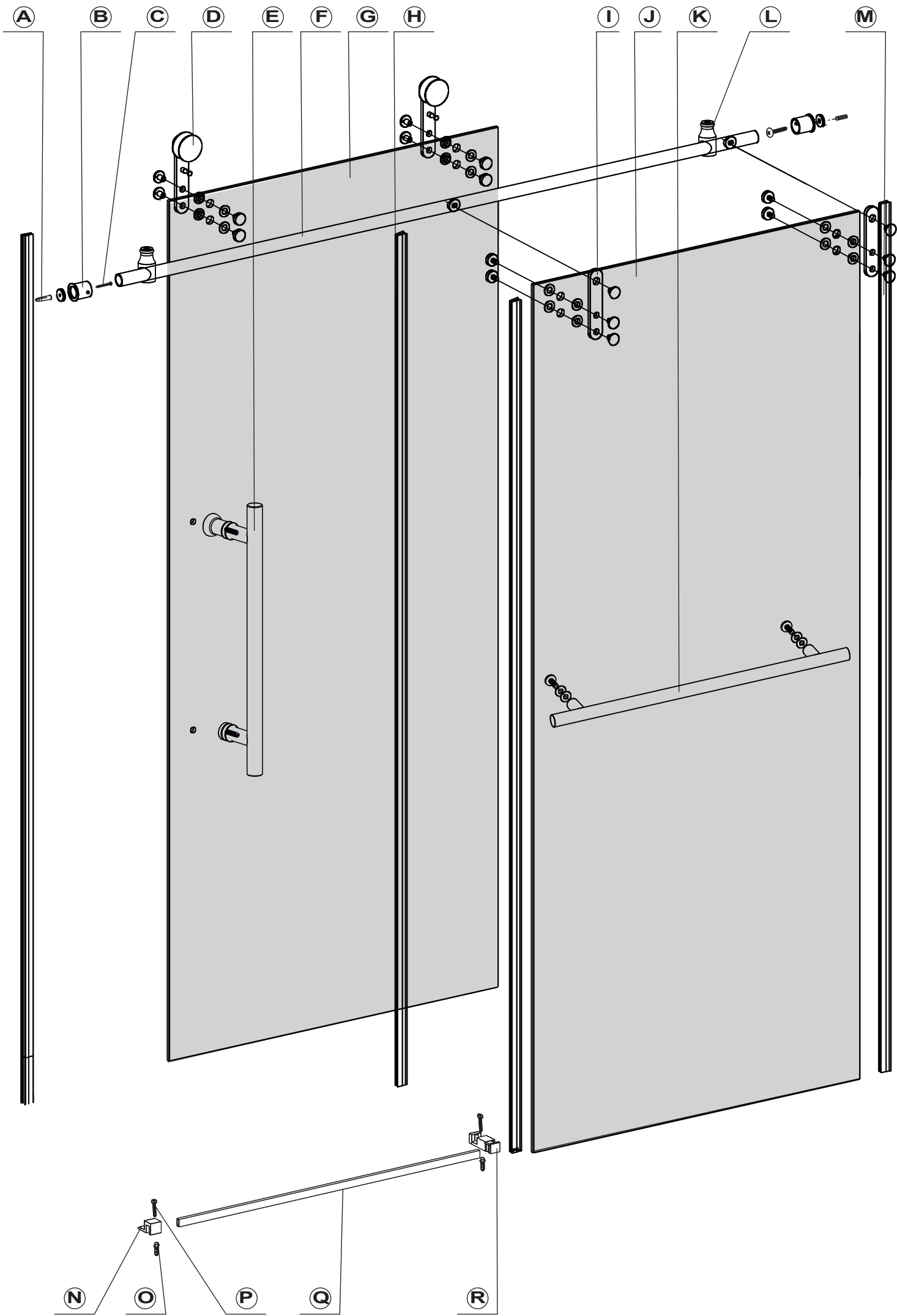
Do not use abrasive pads or sharp tools on any metal parts or glass surfaces.

To maintain a clean and like-new appearance, wipe with diluted mild soap and water.


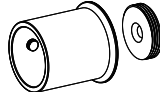

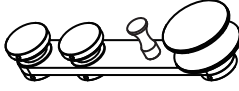
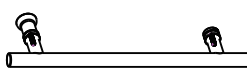




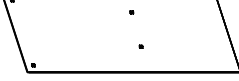
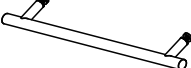

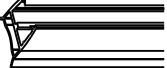
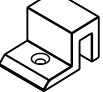




We recommend using a squeegee to dry the glass panels after each use.

Universal Manual – Applicable to the Following Configurations



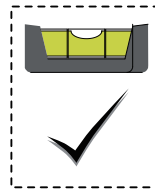
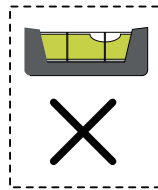
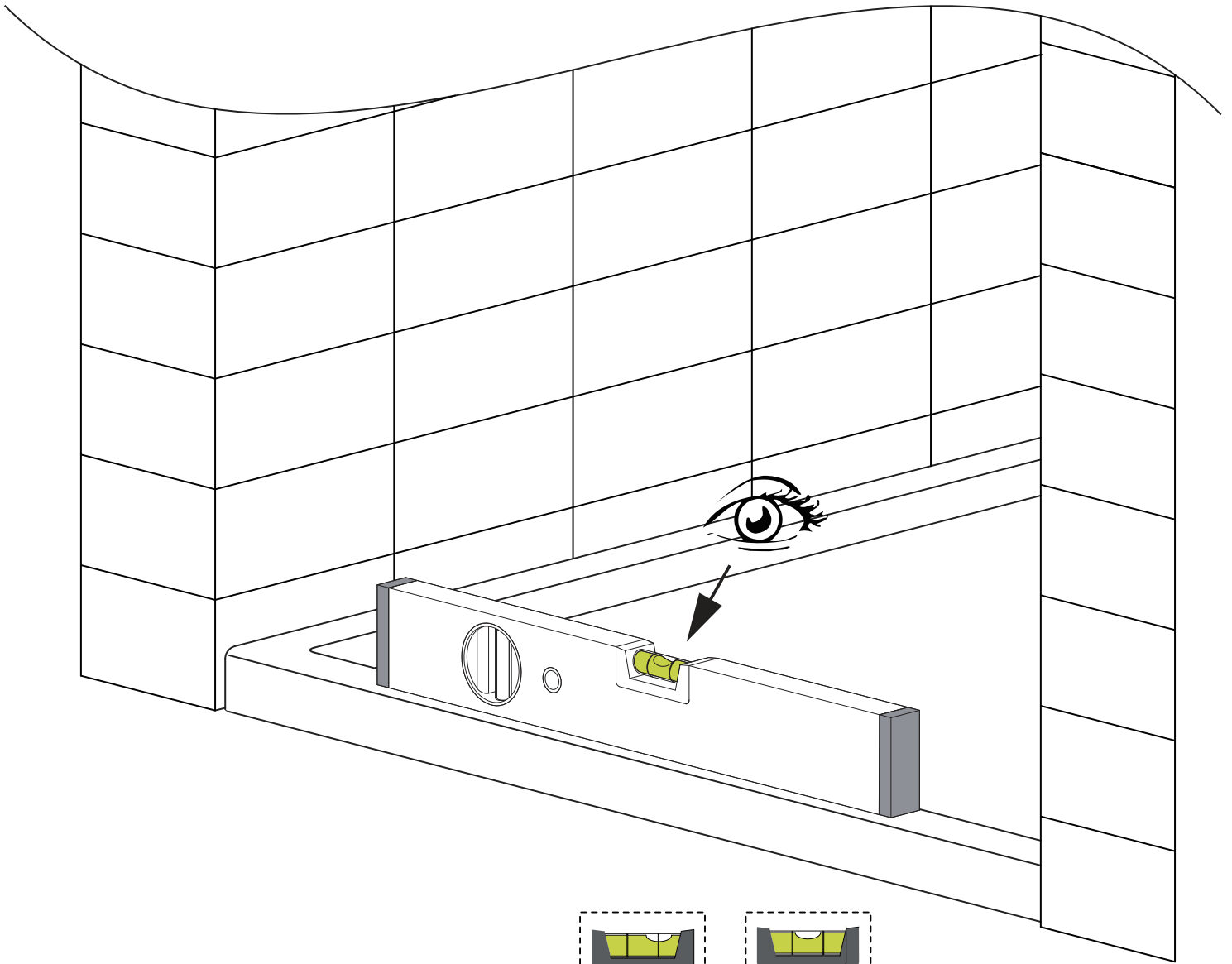


◆ Parts List

PART#	DESCRIPTION	DIAGRAM	QTY
A	Wall Anchors $\varnothing 8$		x2
B	Top Track Bracket		x2
C	Screw ST 5X35mm		x2
D	Roller		x2
E	Handle		x1
F	Top Track		x1
G	Sliding Glass Panel		x1
H	Center Seal		x2
I	Fixed Panel Bracket		x2
J	Fixed Glass Panel		x1
K	Towel Bar		x1
L	Locator		x2
M	Side Seal		x2
N	Bottom Guide Block		x1
O	Wall Anchors $\varnothing 6$		x2
P	Screw ST 4X30mm		x2
Q	Waterproof Threshold		x1
R	Bottom Connector		x1

STEP 1

Make Sure Base Is Level




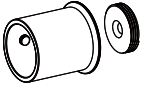

THE INSTALLATION SHOWN IS BASED ON PLUMB FINISHED WALLS AND A LEVELLED BASE. IF THESE CONDITIONS ARE NOT MET, PLEASE ADJUST ACCORDINGLY.

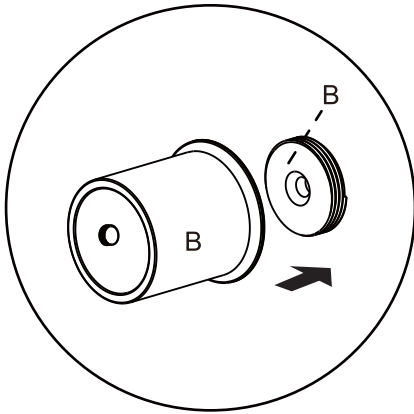
STEP 2

Install Top Track Bracket on Both Sides

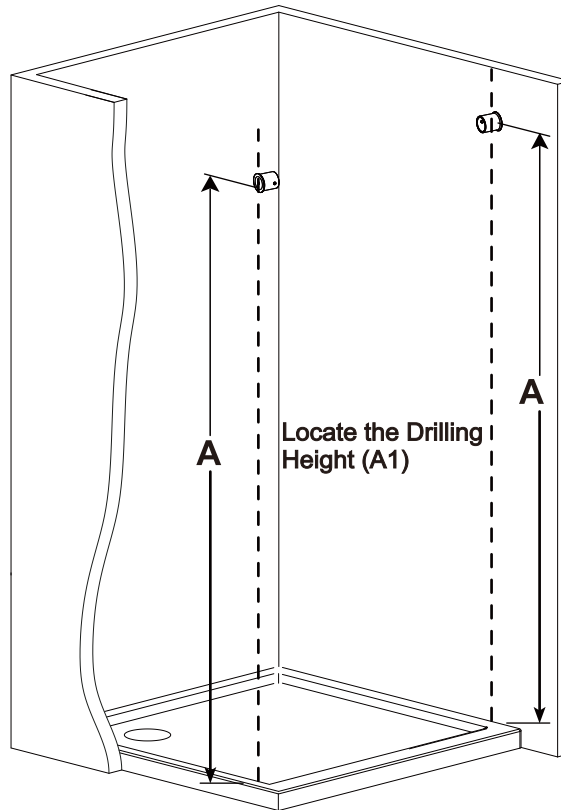
Product Height	Drilling Height (A)
66"(1676mm)	63 2/3"(1618mm)
76"(1930mm)	73 2/3"(1872mm)

*A1 = Product Height - 22 5/6"(58mm)

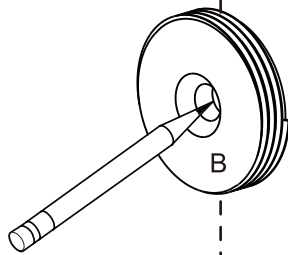
(A)		x2
(B)		x2
(C)		x2



Disassemble the Top Track Bracket (B) and Install Part B₁ onto the Wall

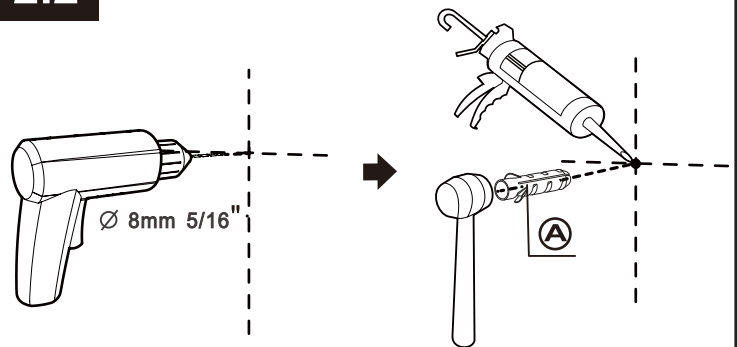


2.1



Mark the Locations

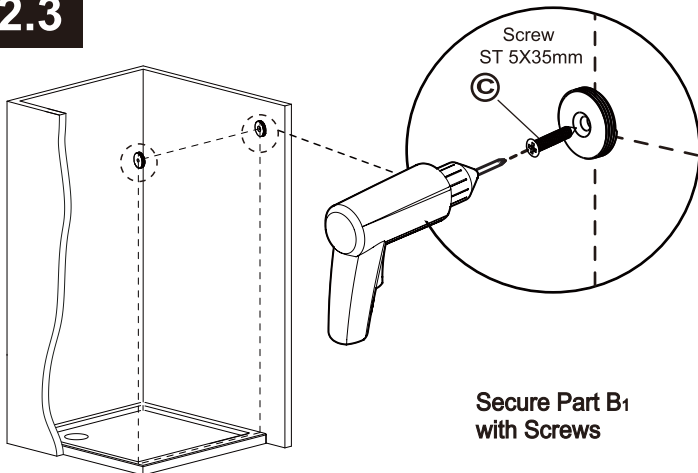
2.2



Drill Holes

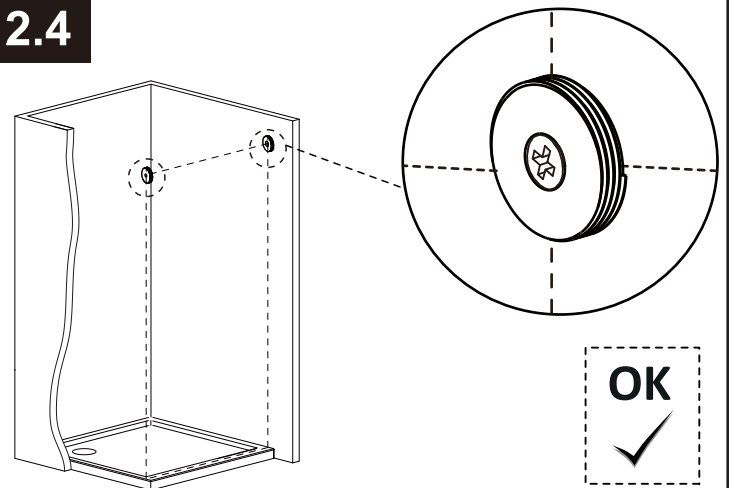
Add a Bit of Silicone and Insert Wall Anchors

2.3



Secure Part B₁ with Screws

2.4



STEP 3

Measure and Cut the Top Track

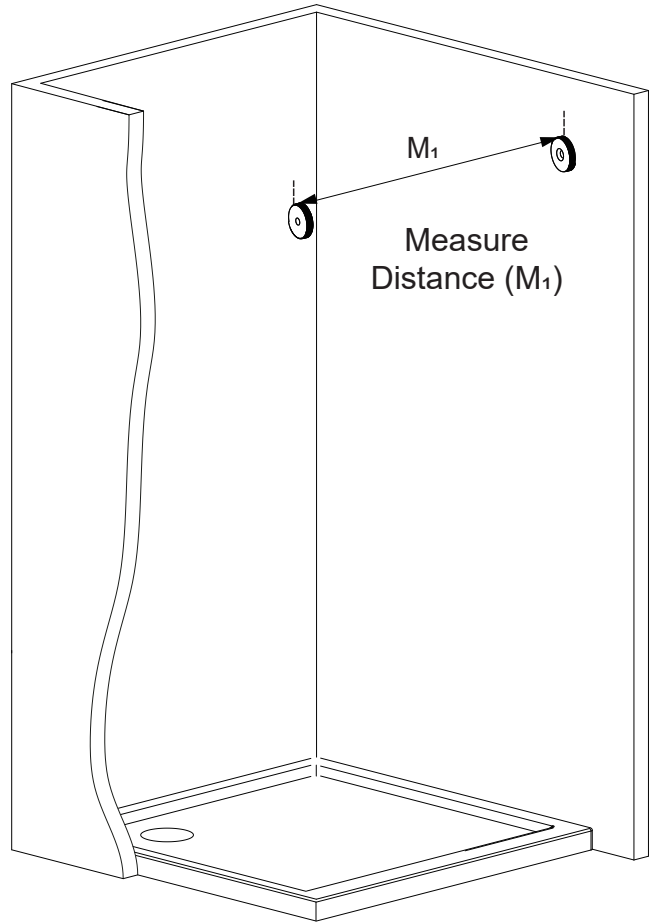
F



x1

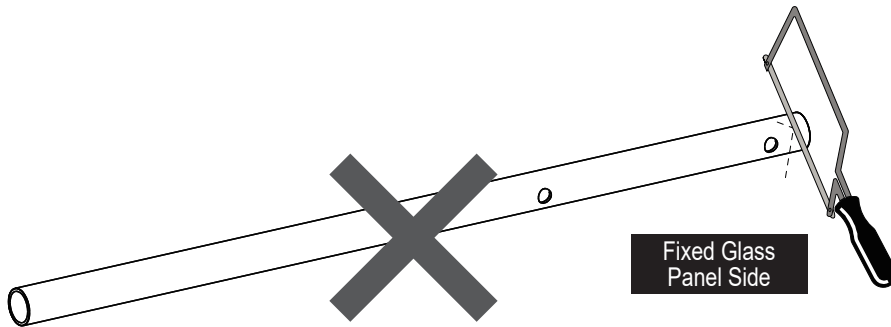


THE INSTALLATION SHOWN IS BASED ON PLUMB FINISHED WALLS AND A LEVELLED BASE. IF THESE CONDITIONS ARE NOT MET, PLEASE ADJUST ACCORDINGLY.



M₁

Measure Distance (M₁)



Fixed Glass Panel Side

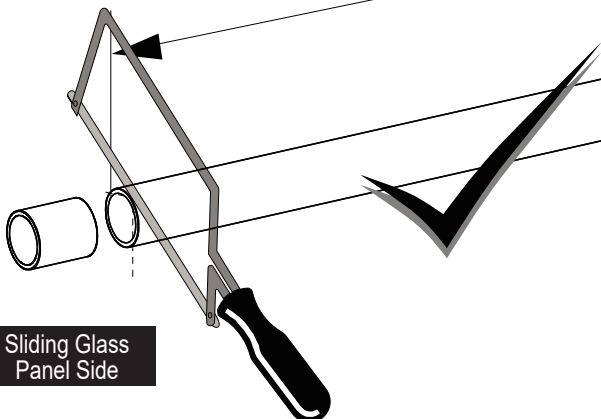


Note: Only cut the end facing the Sliding Glass Panel Ⓞ.

Do not cut the end facing the Fixed Glass Panel Ⓟ.

Sliding Glass Panel Side

Track length = M₁ - 13/16" (20mm)



Sliding Glass Panel Side

Fixed Glass Panel Side

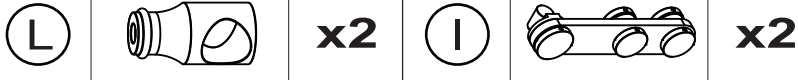
F



CUT THE TOP TRACK 13/16" (20mm) SHORTER THAN THE OPENING

STEP 4

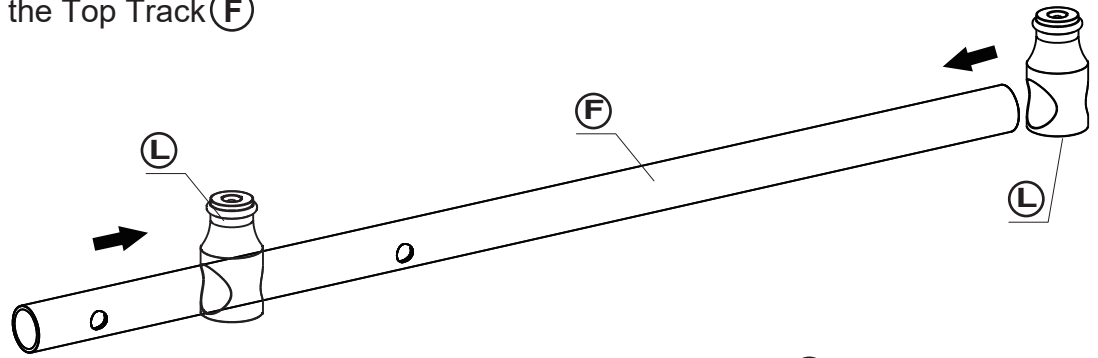
Prepare the Top Track



Insert Locators (L) into the Top Track (F)

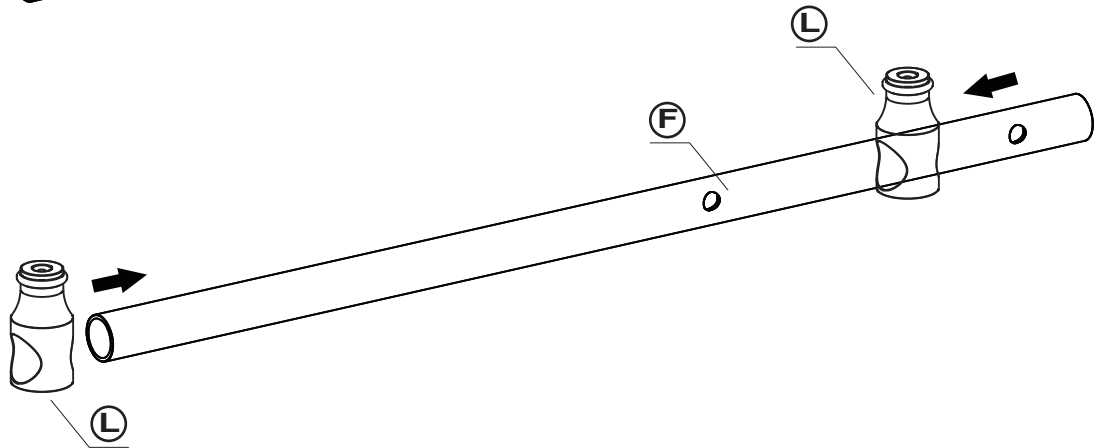
Option 1

When the fixed panel is installed on the left side



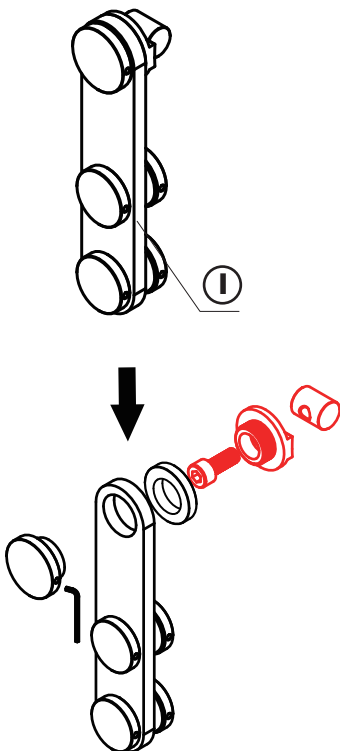
Option 2

When the fixed panel is installed on the right side

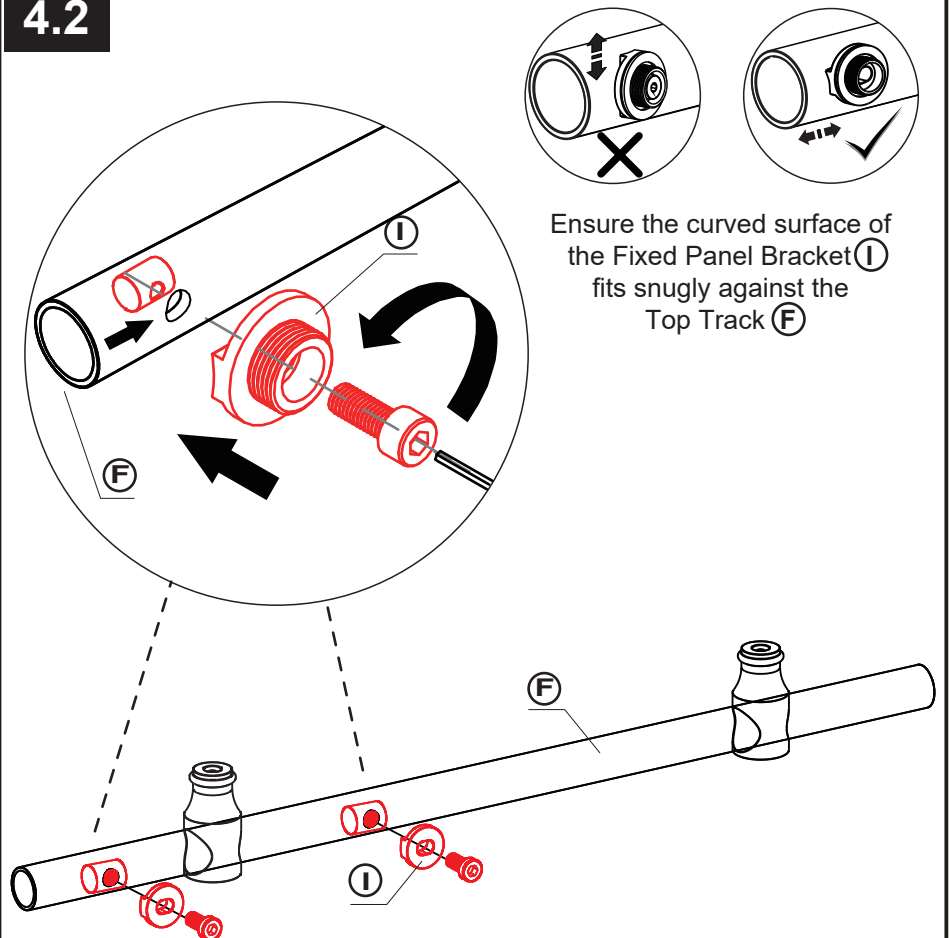


4.1

Disassemble Fixed Panel Bracket (I)



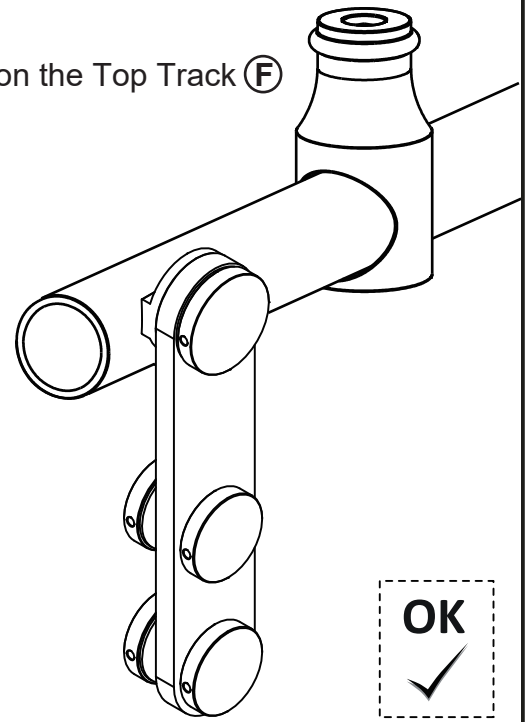
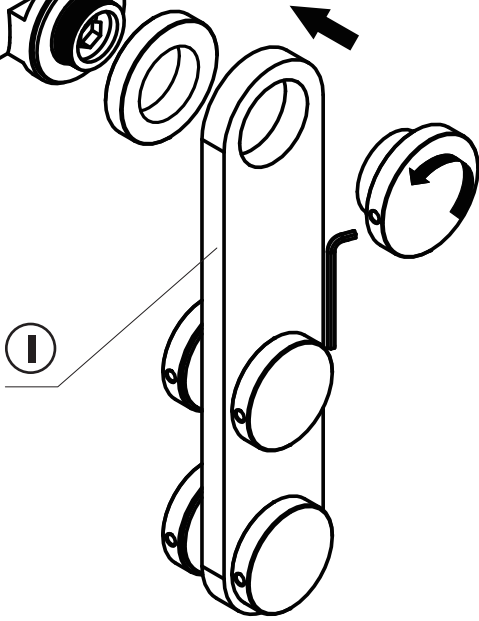
4.2



Ensure the curved surface of the Fixed Panel Bracket (I) fits snugly against the Top Track (F)

4.3

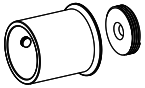
Assemble Fixed Panel Bracket (I) on the Top Track (F)



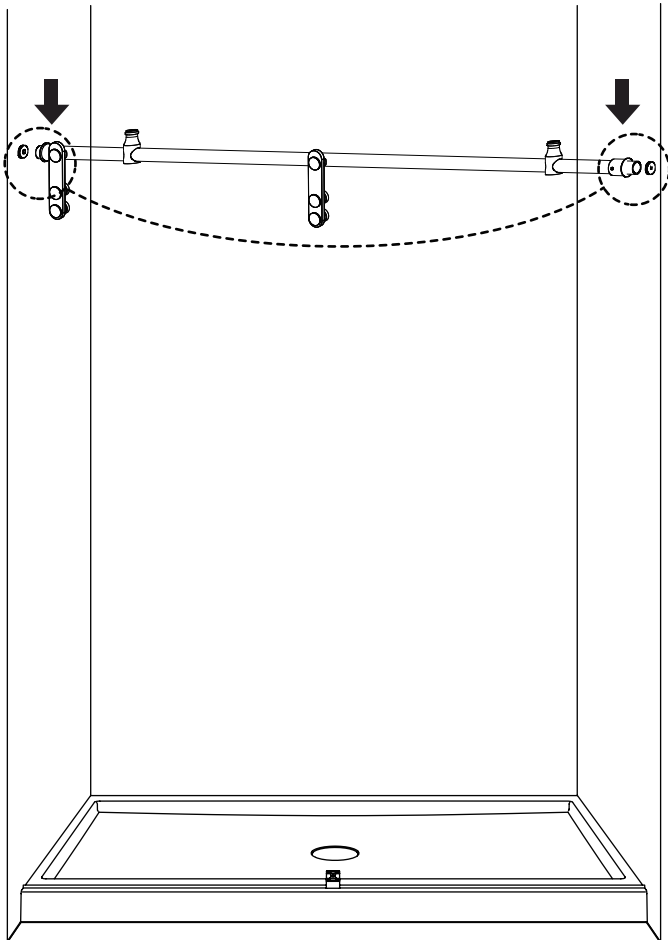
STEP 5

Install the Top Track

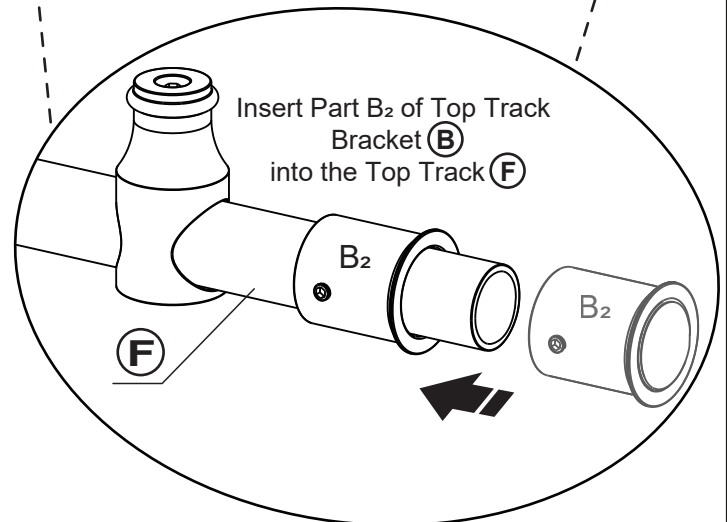
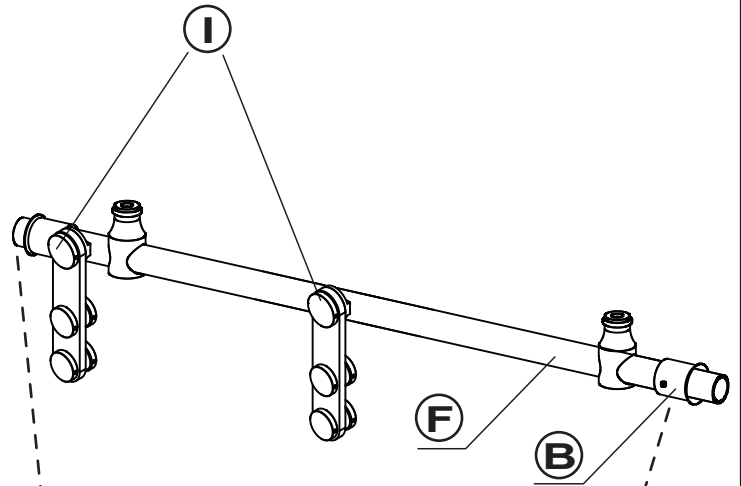
(B)



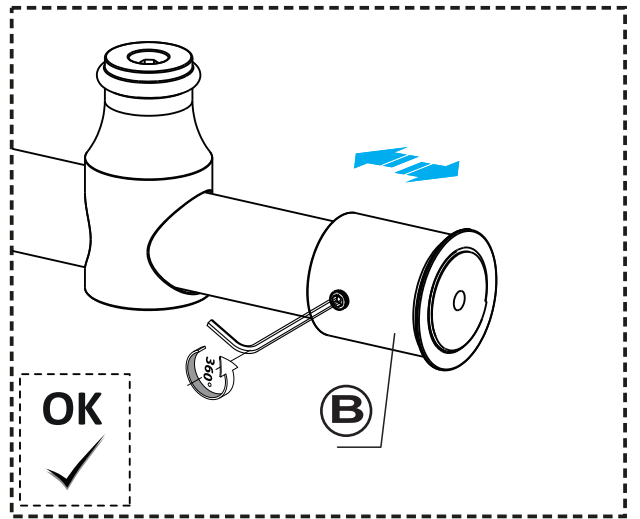
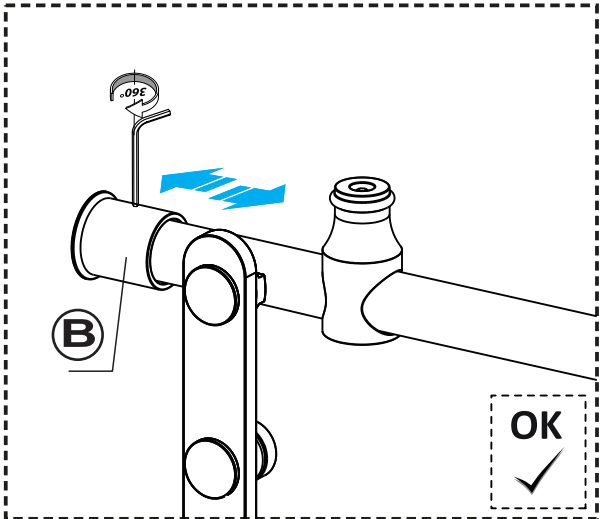
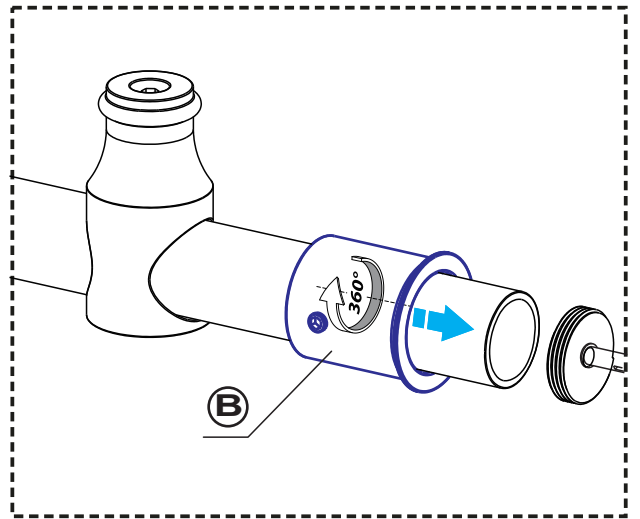
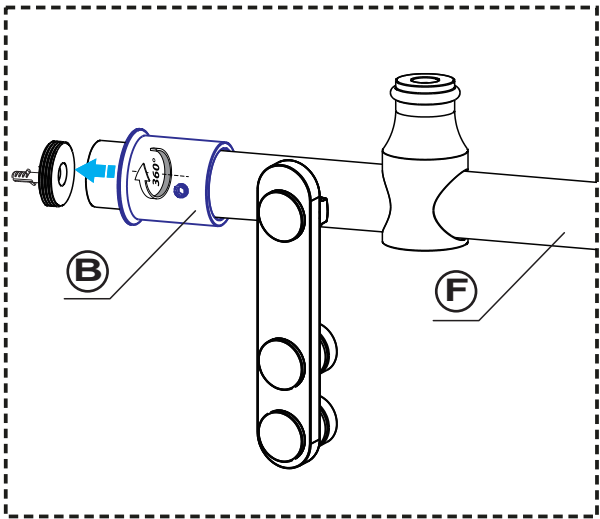
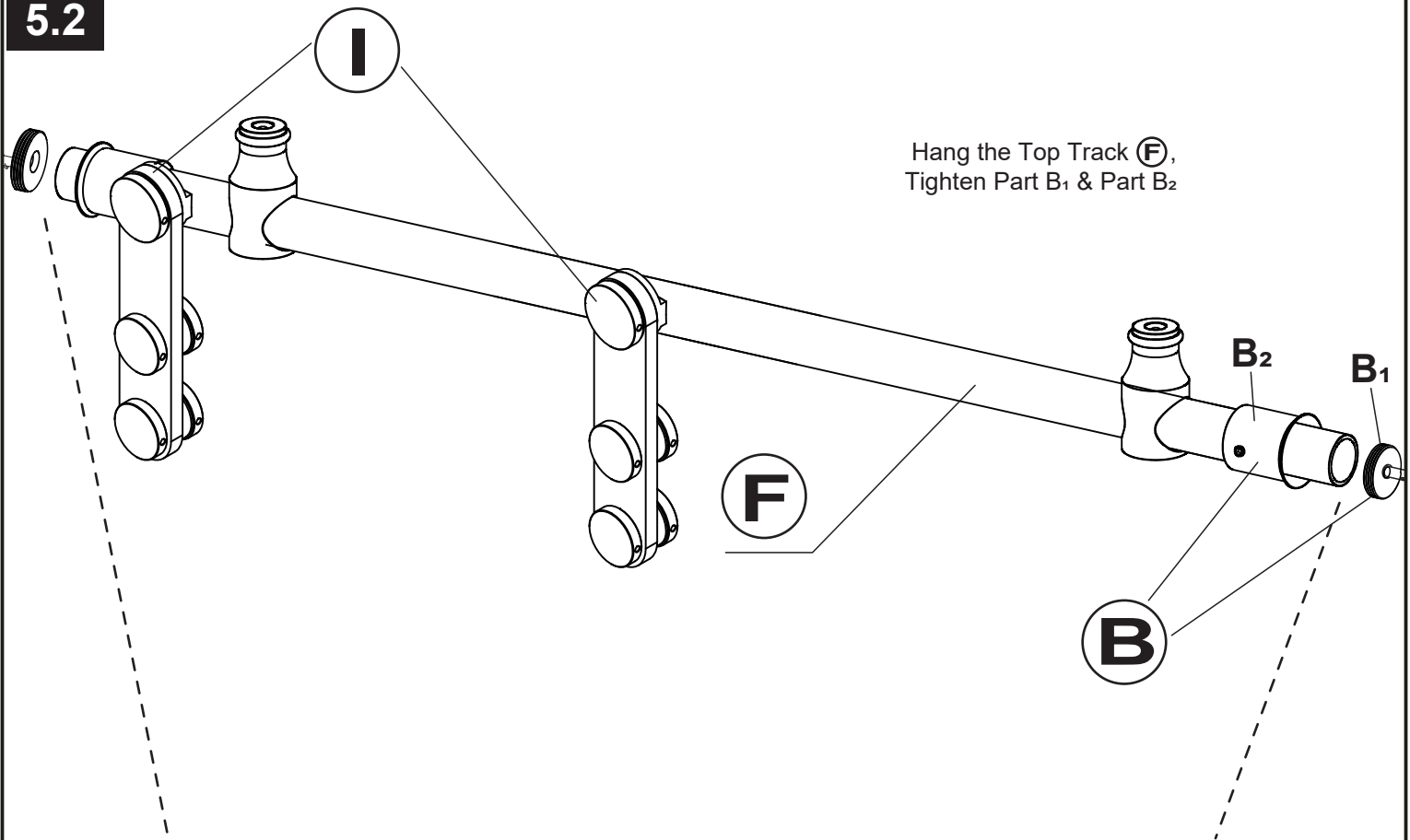
x2



5.1

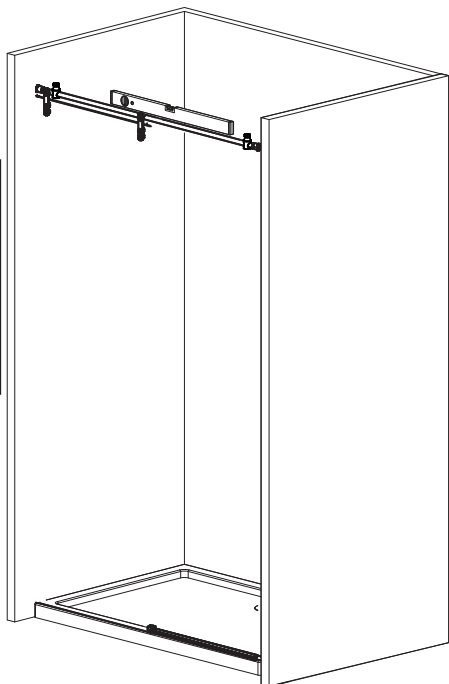
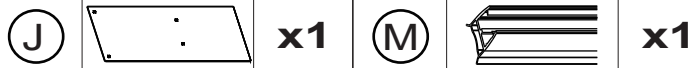


5.2



STEP 6

Hang Fixed Glass Panel

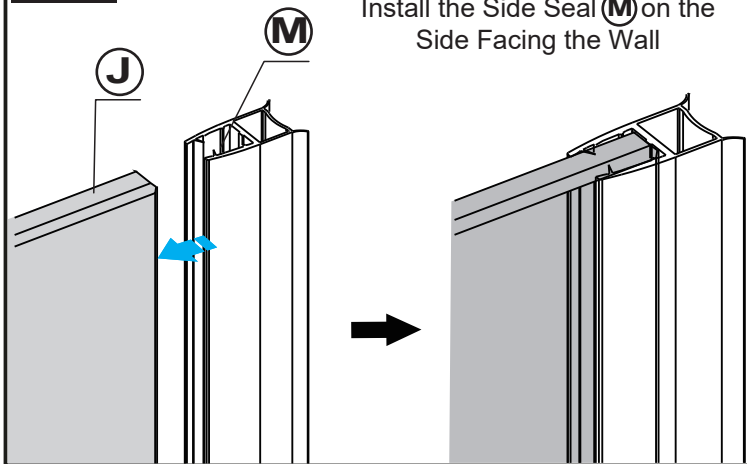


Ensure the Top Track is horizontal. If not, please adjust accordingly.

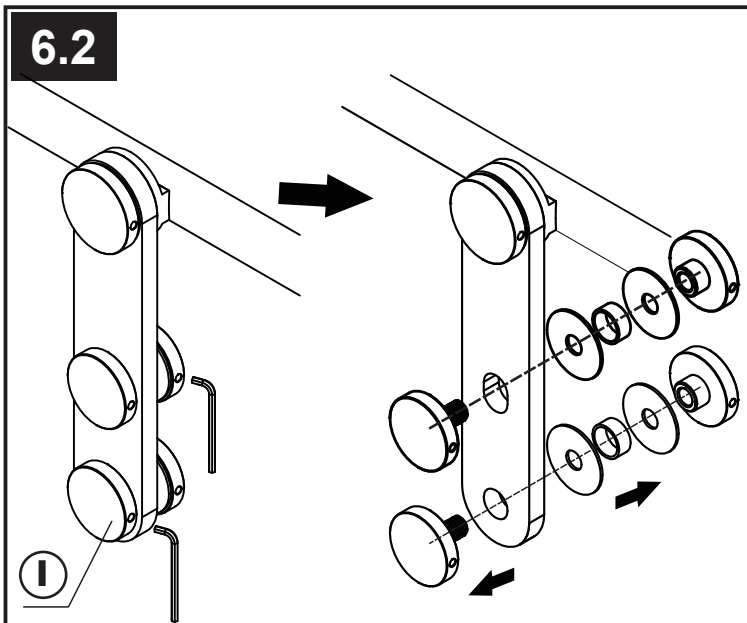


6.1

Install the Side Seal (M) on the Side Facing the Wall

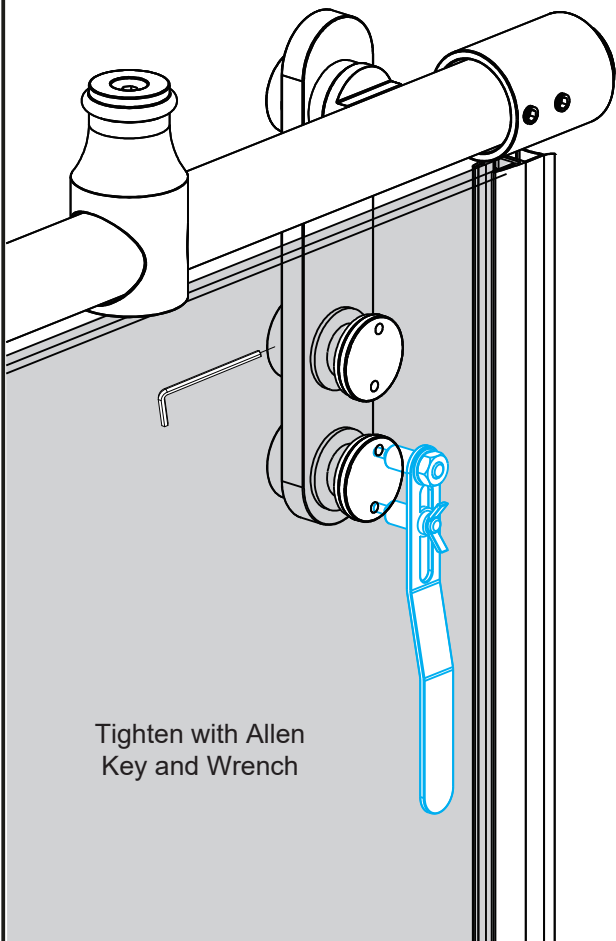


6.2



Disassemble Fixed Panel Bracket (I)

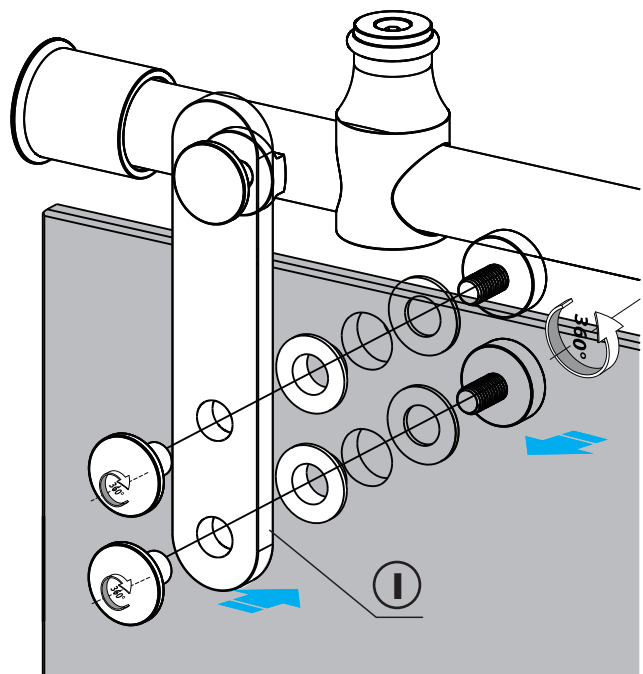
6.4



Tighten with Allen Key and Wrench

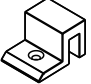



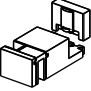
6.3

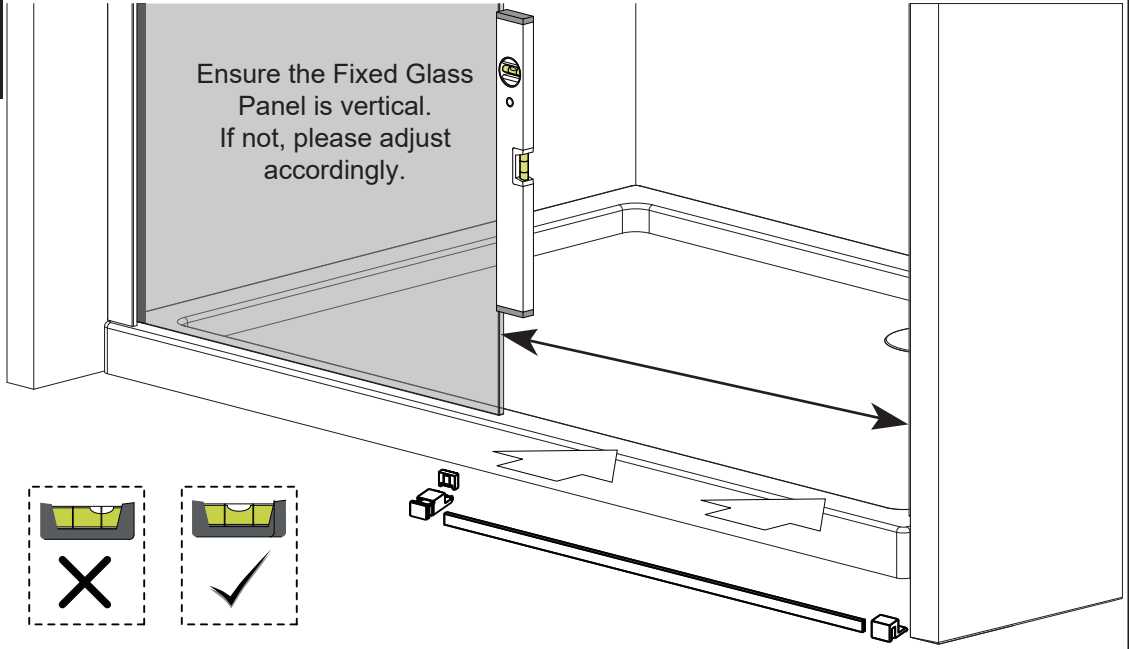
Use all Plastic Washers and Spacers to Protect the Glass



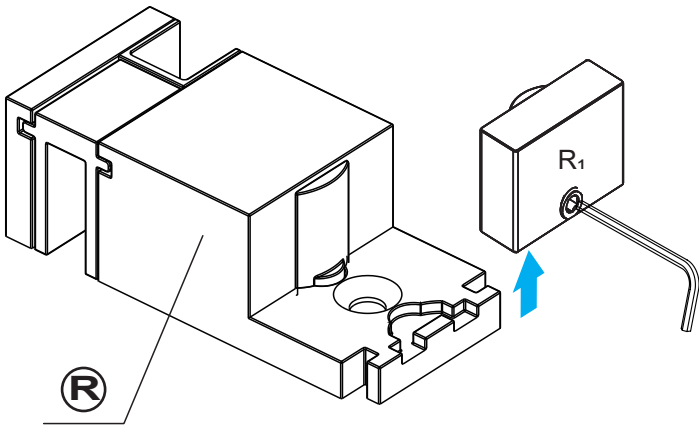
STEP 7

Install Waterproof Threshold

(N)		x1
(O)		x2
(P)		x2
(Q)		x1
(R)		x1

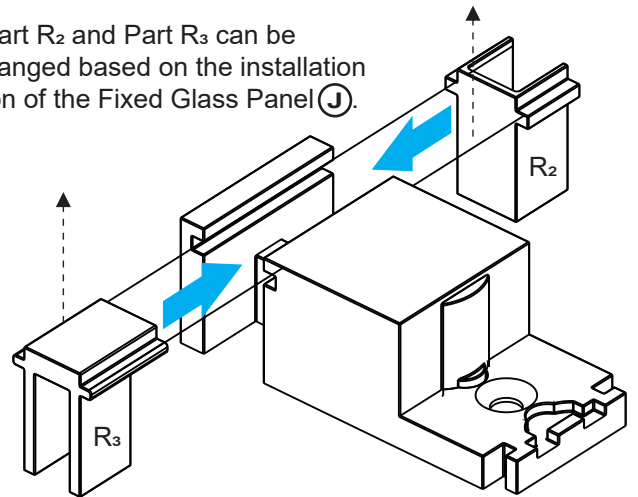


7.1 Disassemble & Install Bottom Connector (R)



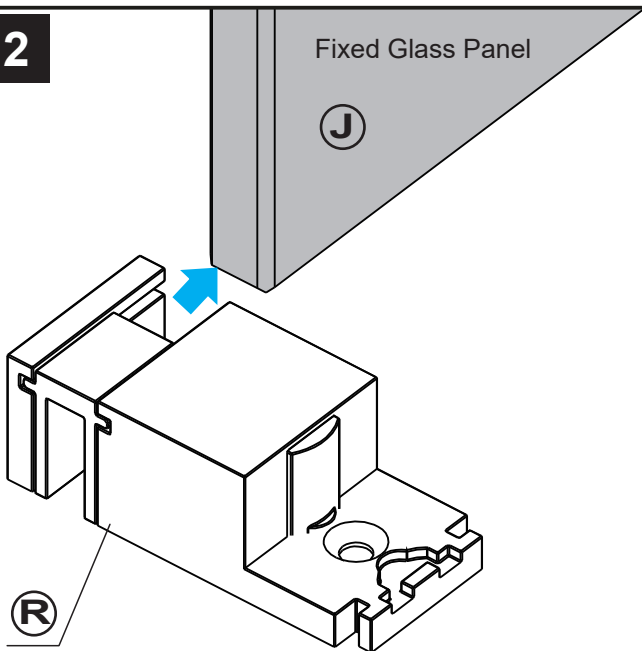
Remove Part R₁ to Secure the Sliding Glass Panel (C) in Step 10.2

Part R₂ and Part R₃ can be interchanged based on the installation position of the Fixed Glass Panel (J).

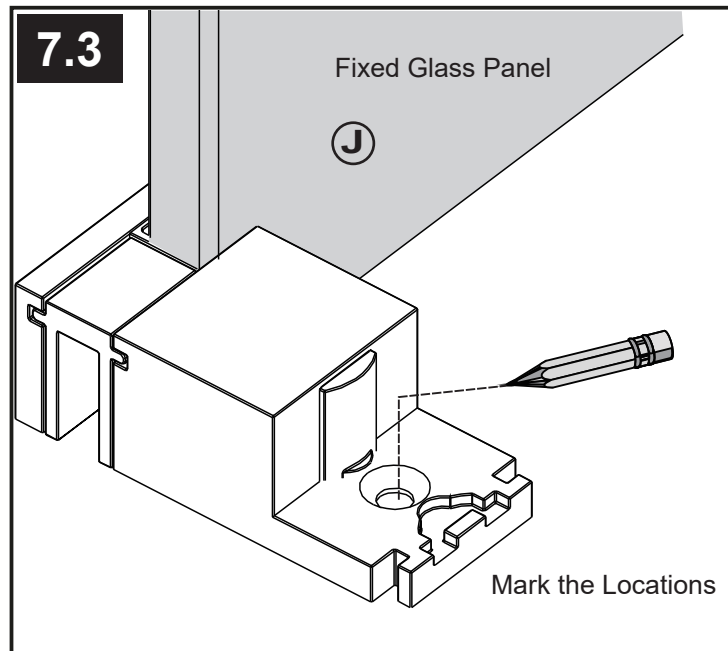


Part R₂: Used to Secure the Fixed Glass Panel (J) in Place
 Part R₃: Used to Secure the Waterproof Threshold (Q) in Place

7.2

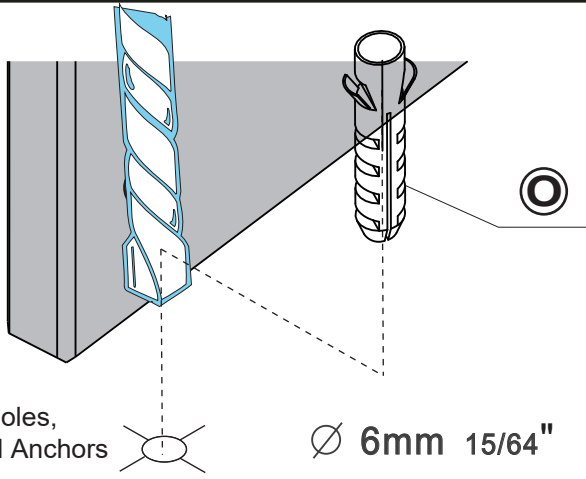


7.3

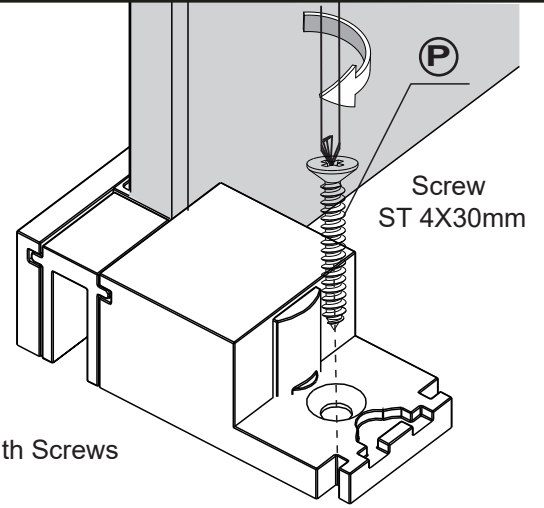


Mark the Locations

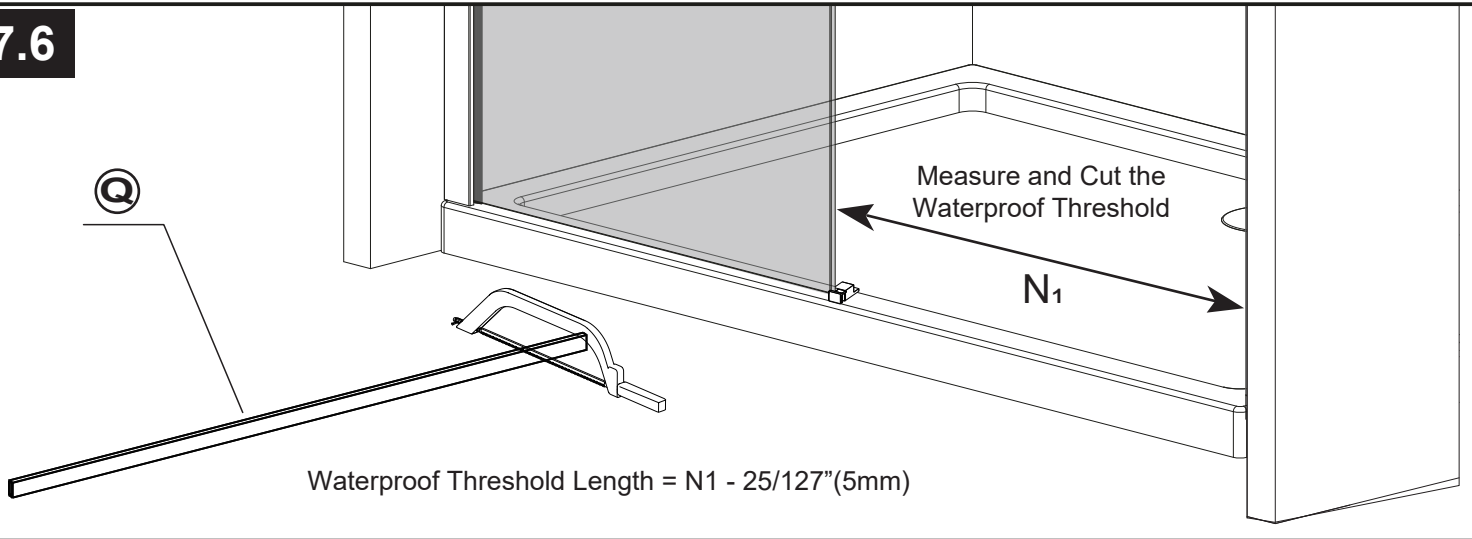
7.4



7.5

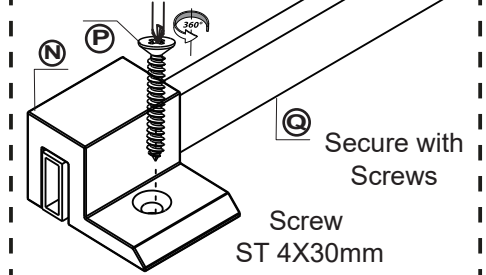
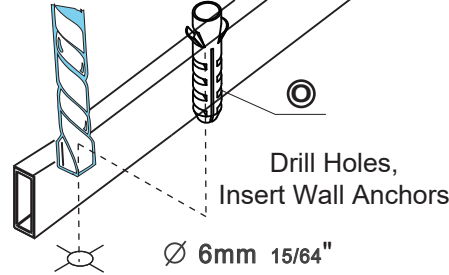
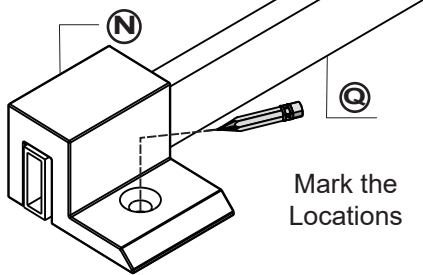
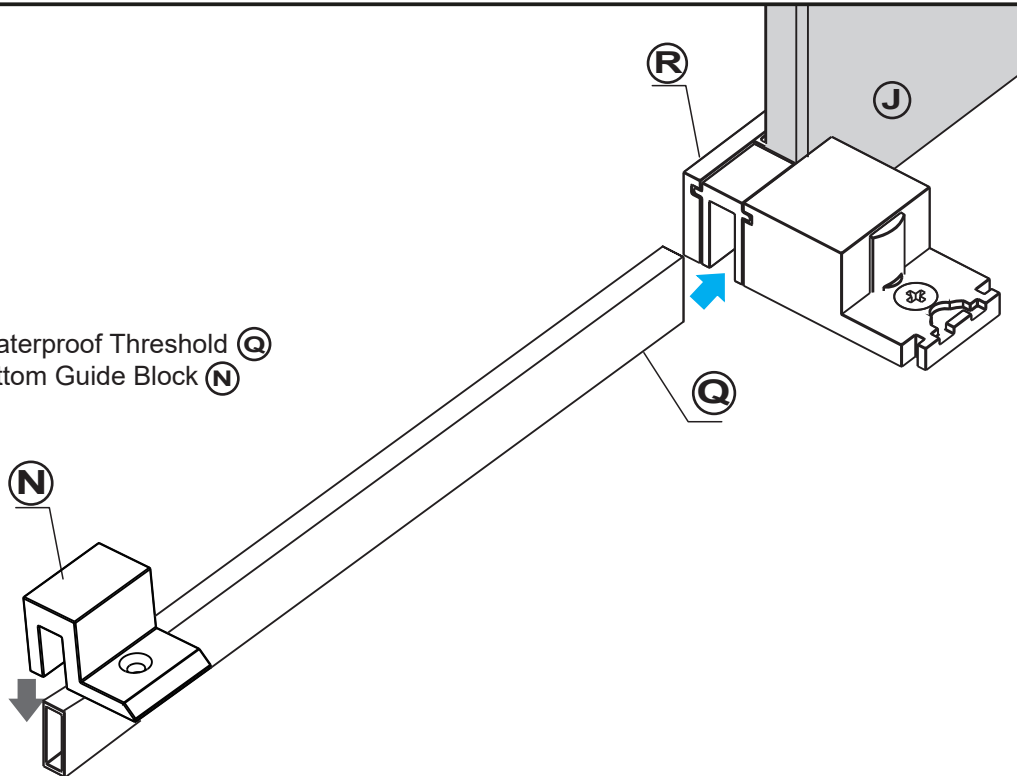


7.6



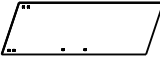
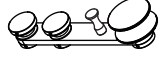
7.7

Secure the Waterproof Threshold **Q**
with the Bottom Guide Block **N**

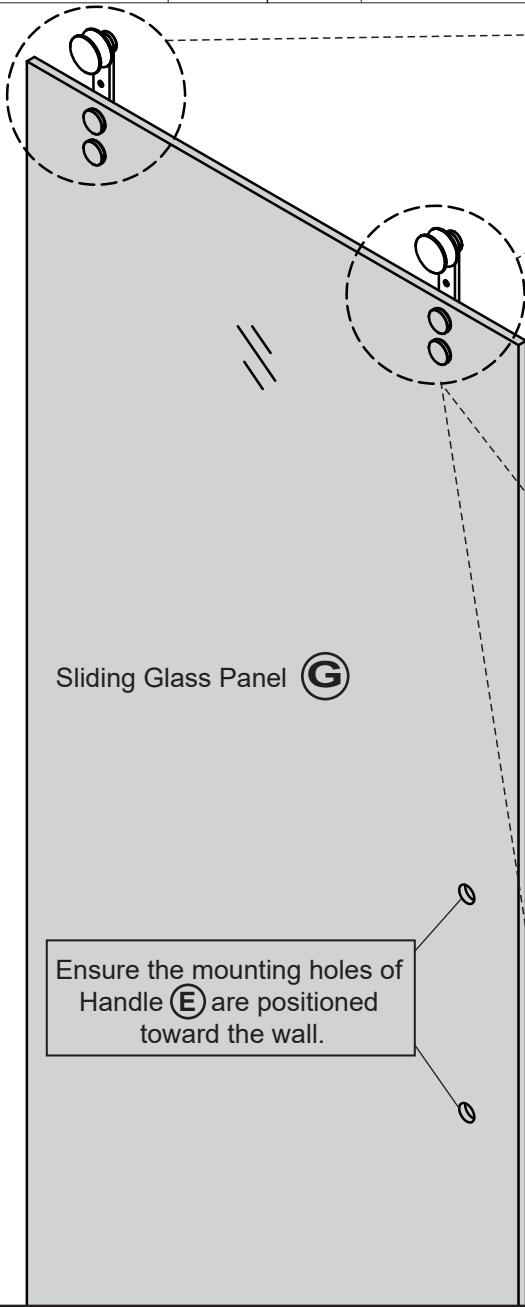
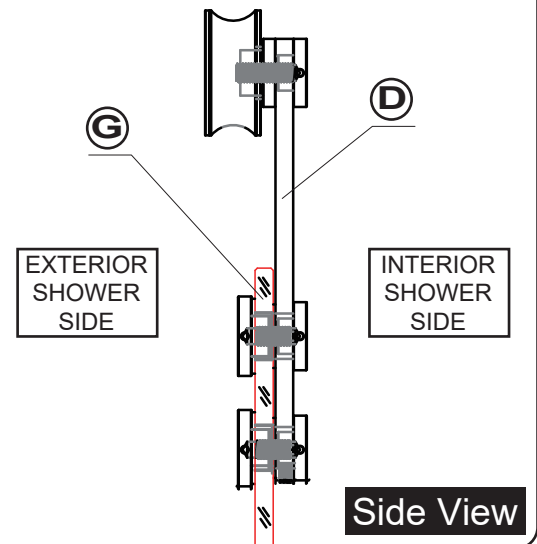


STEP 8

Install the Rollers on Sliding Glass Panel

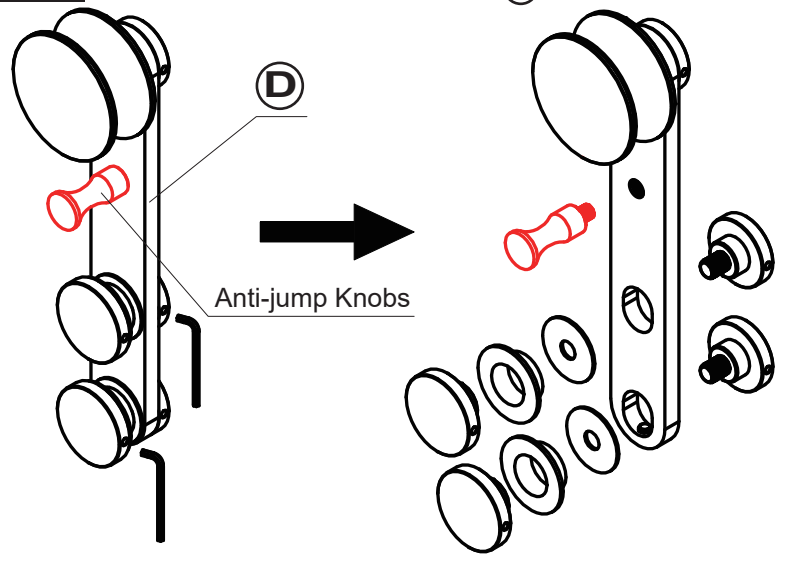
- G**  **x1**
- D**  **x2**

NOTE:
The roller should face outward



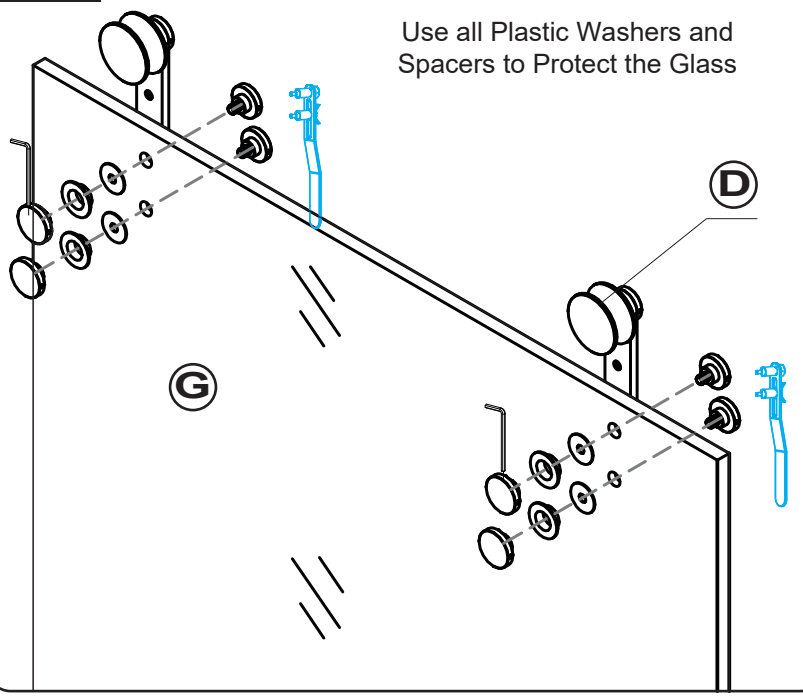
8.1

Disassemble the Rollers **D**



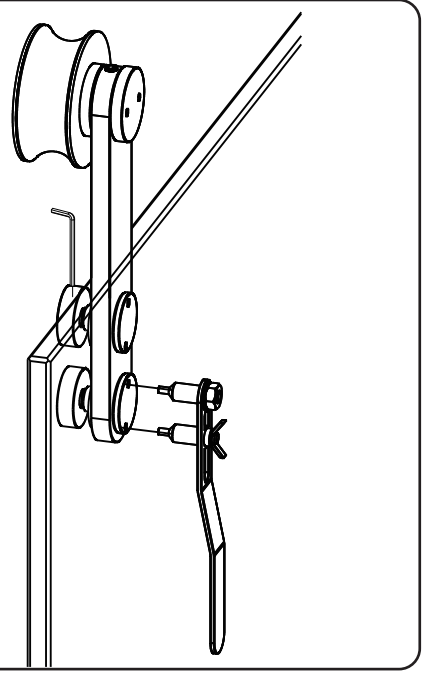
8.2

Use all Plastic Washers and Spacers to Protect the Glass



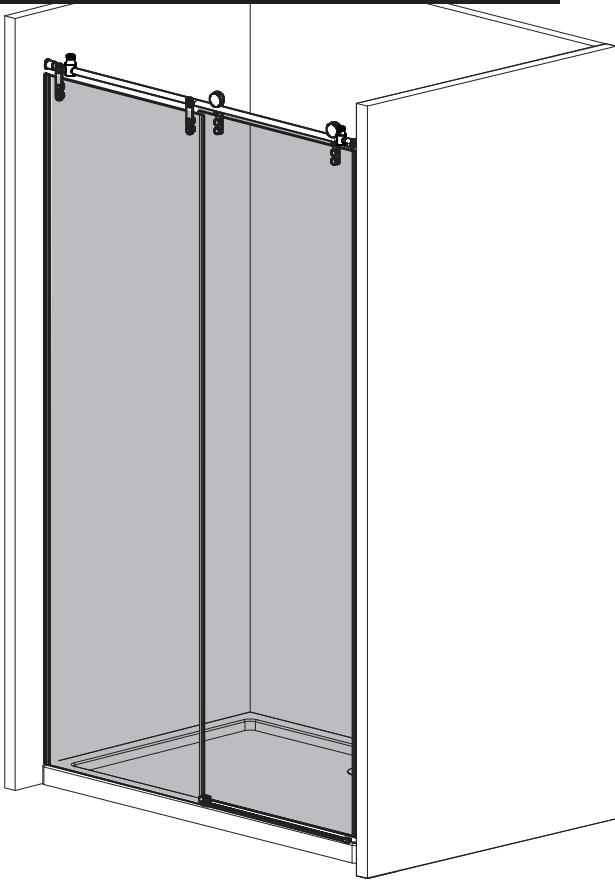
8.3

Tighten with Allen Key and Wrench



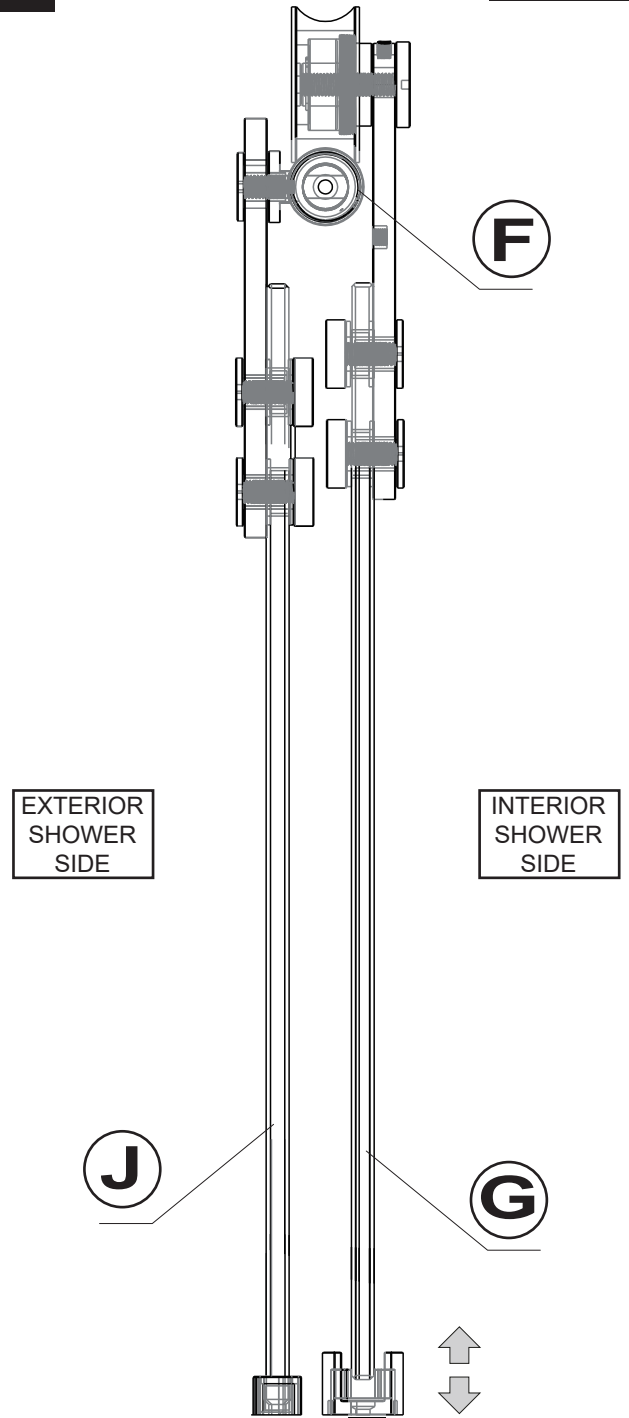
STEP 9

Install Sliding Glass Panel

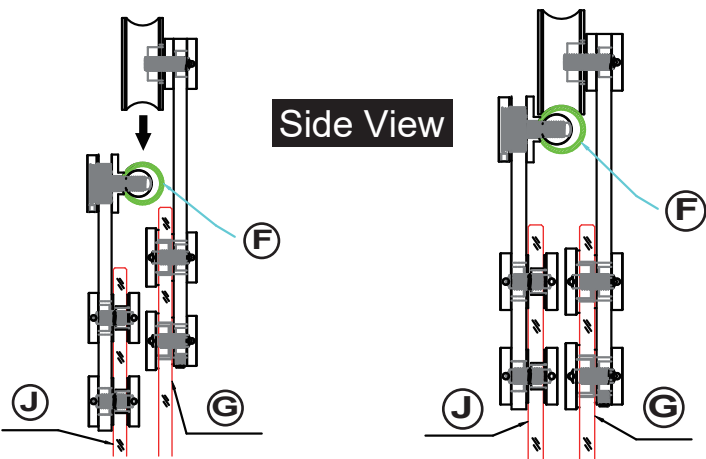
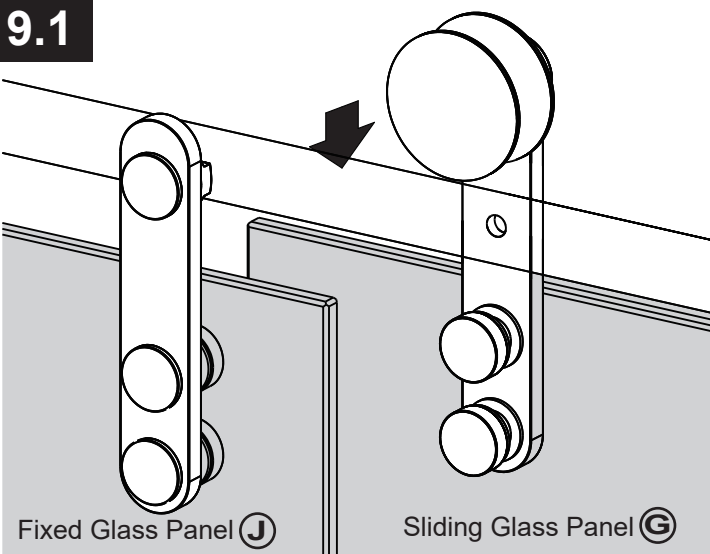


9.2

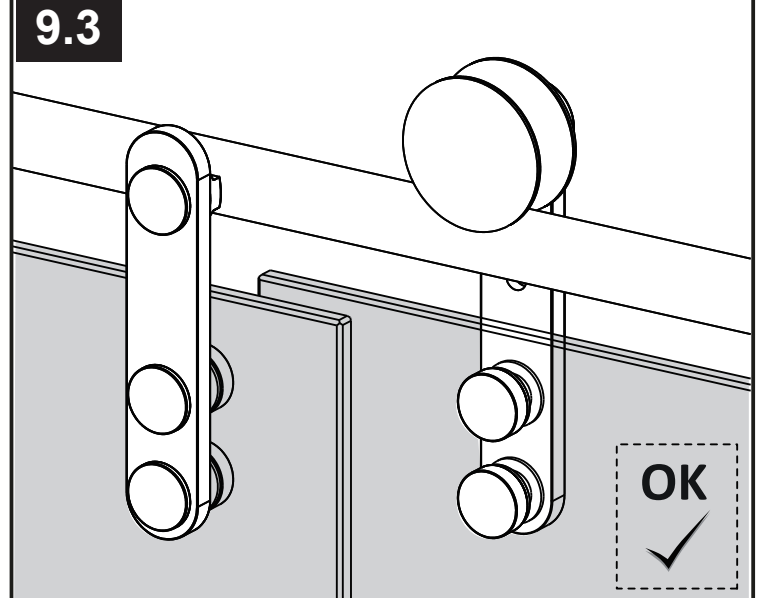
Side View



9.1

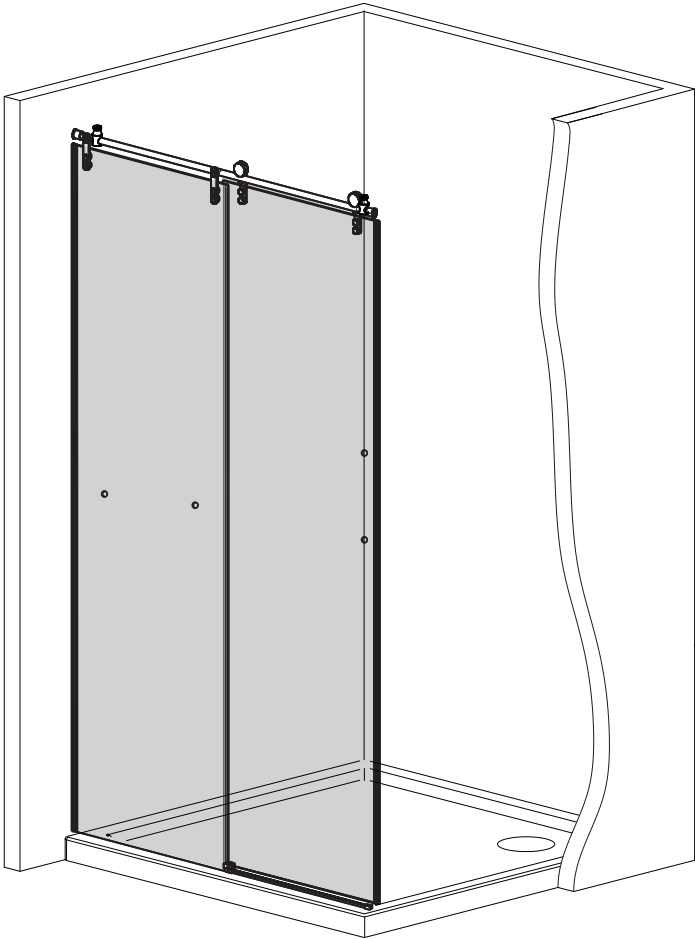


9.3

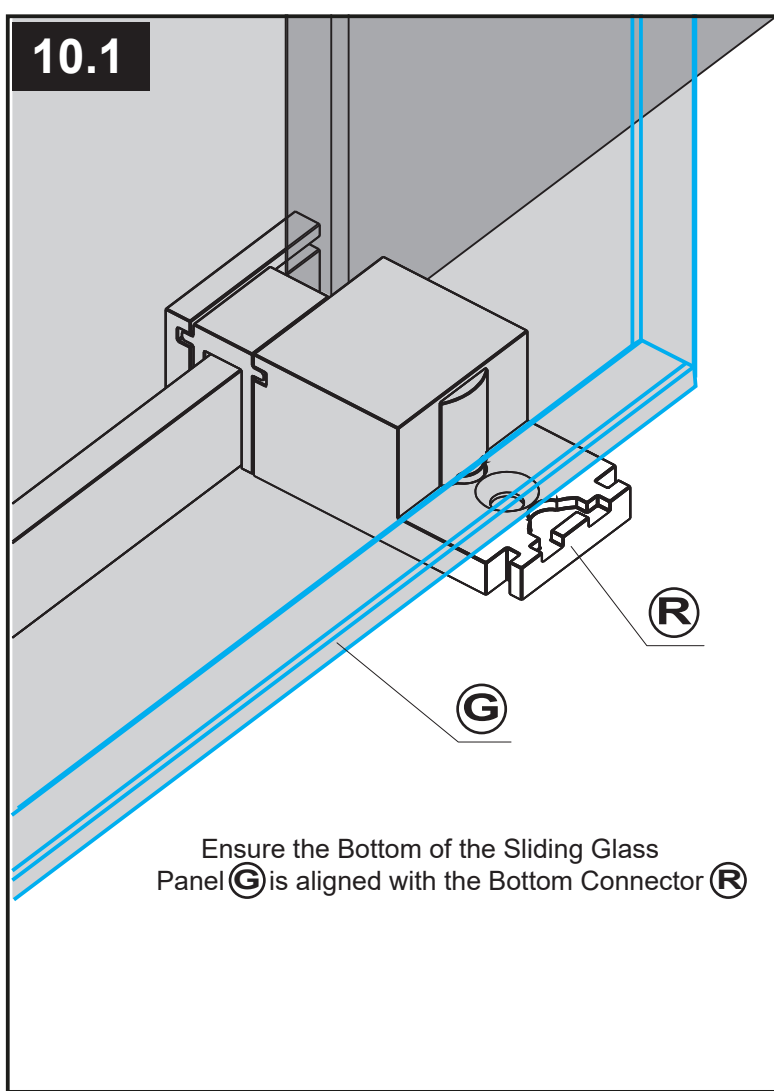


STEP 10

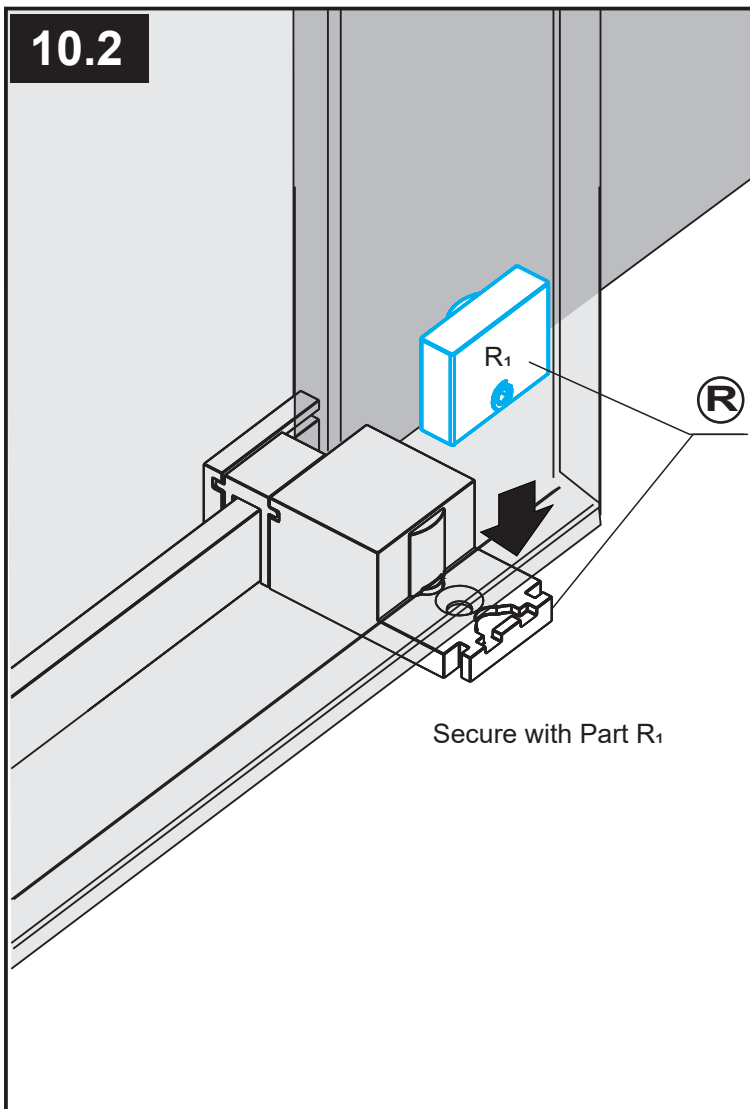
Secure Sliding Glass Panel



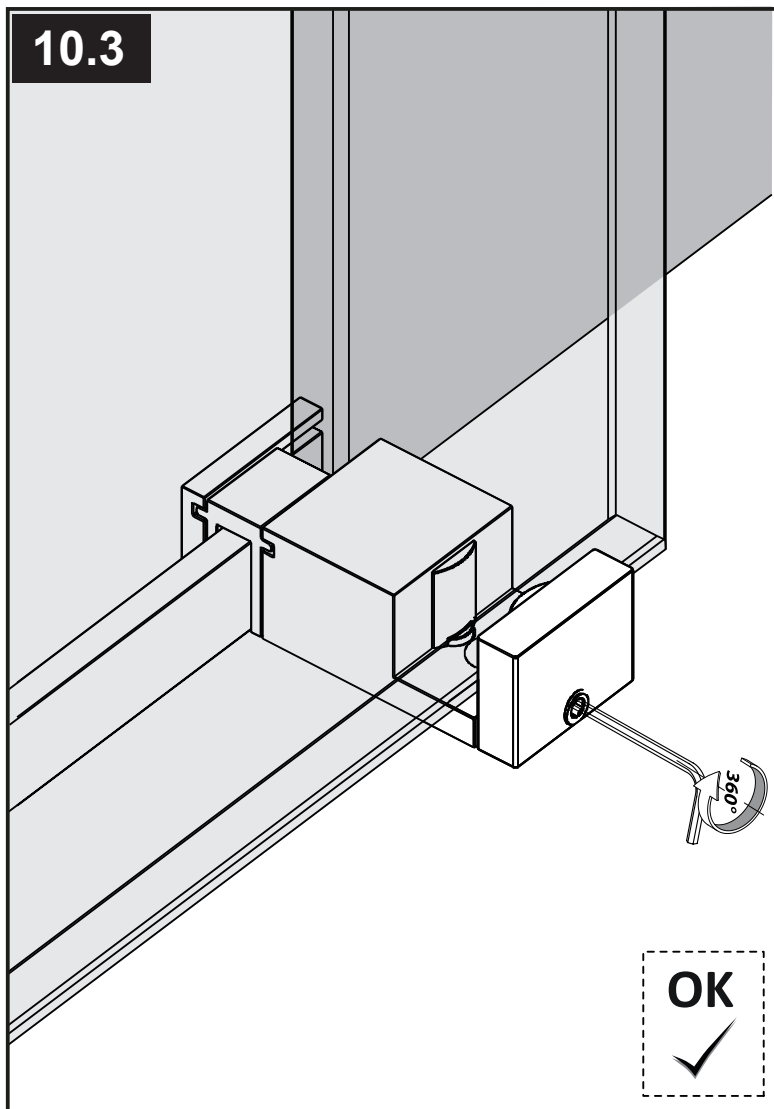
10.1



10.2

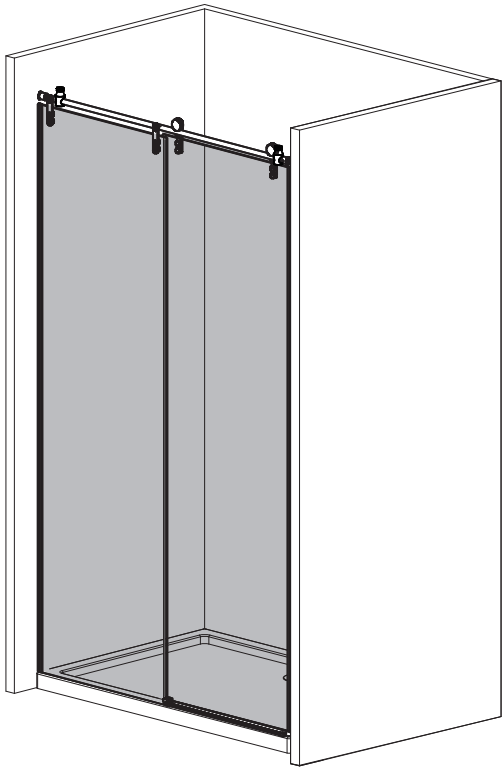


10.3

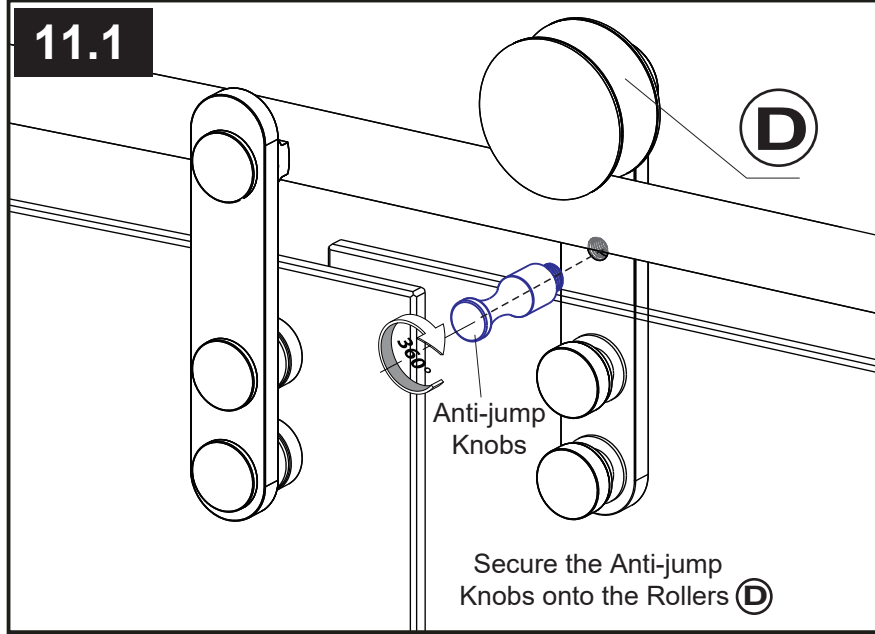


STEP 11

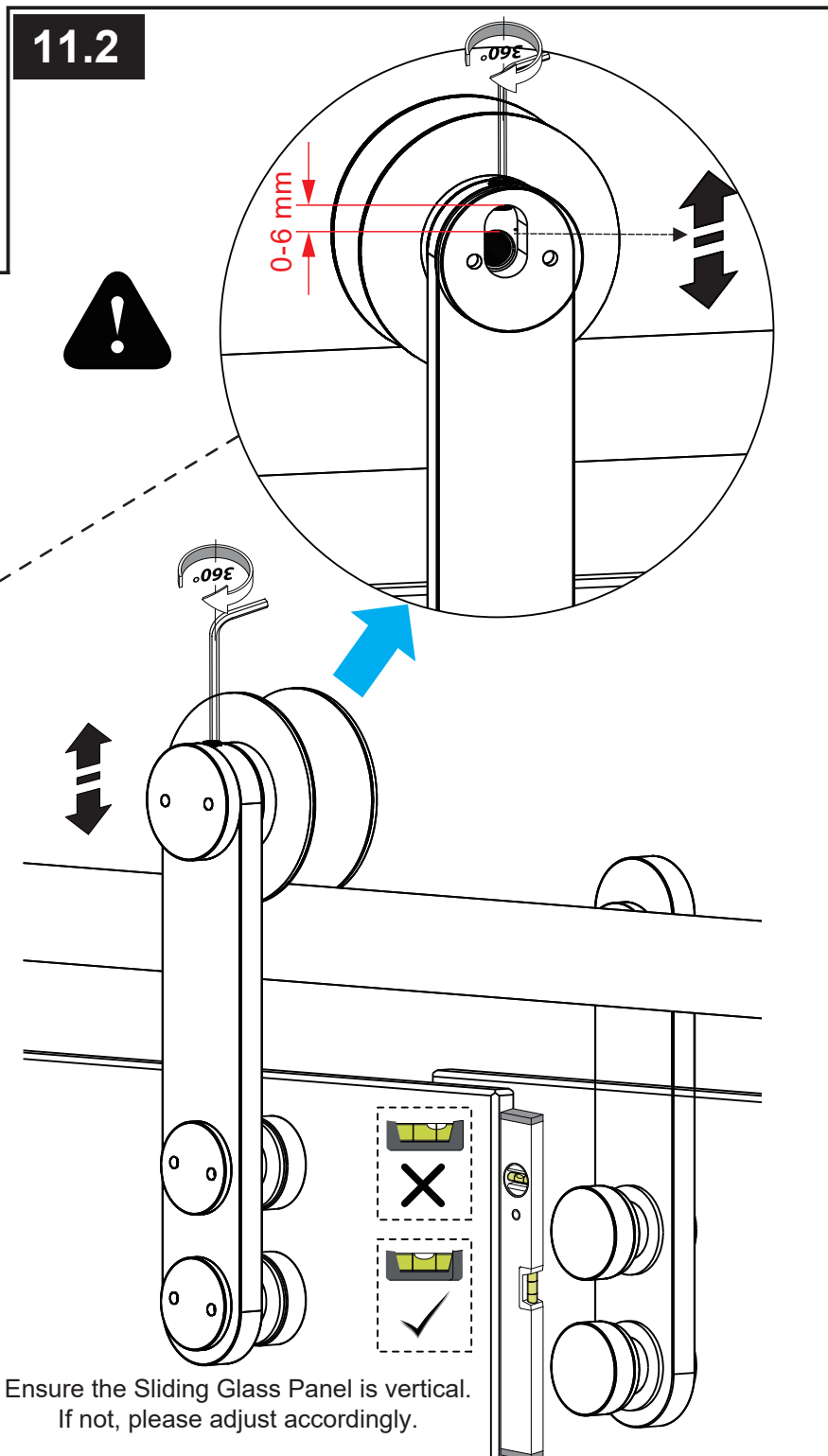
Secure the Rollers



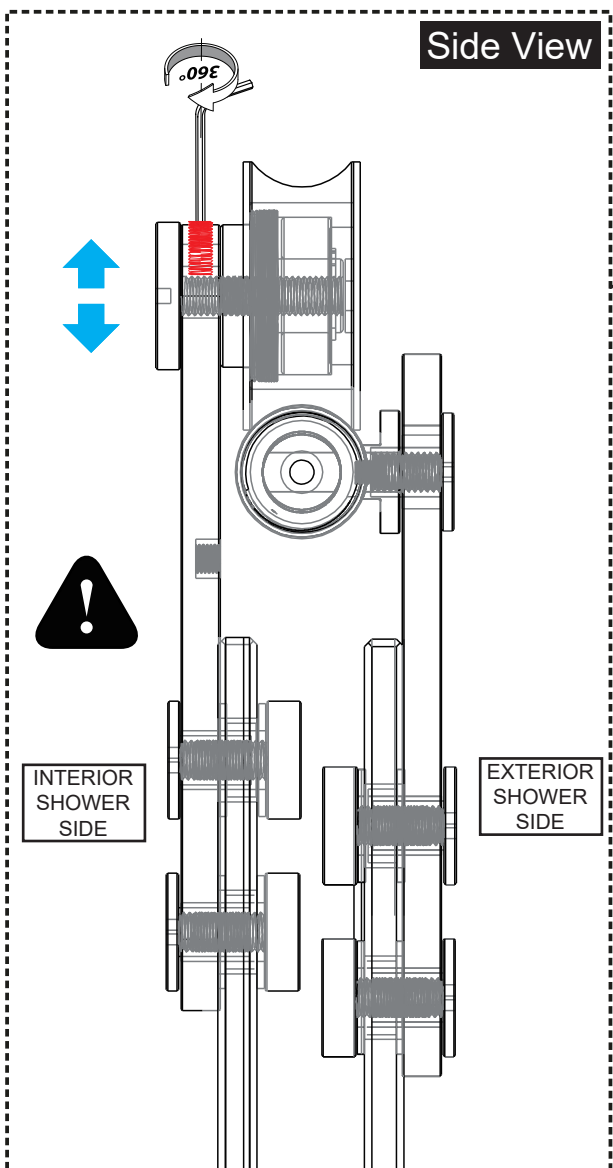
11.1



11.2



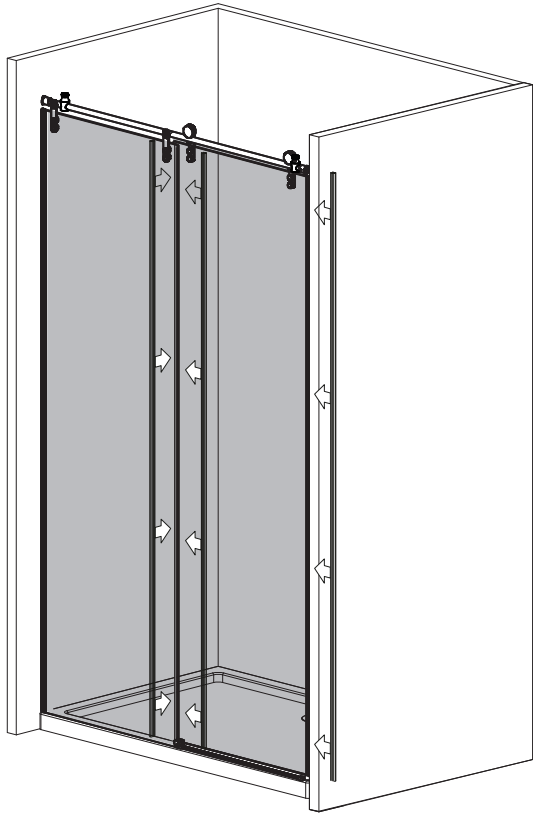
Side View



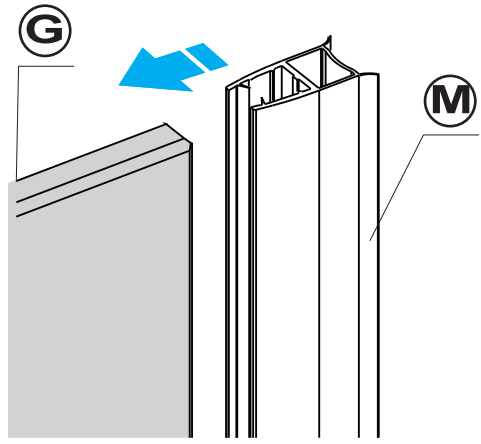
STEP 12

Install Side Seal & Center Seal

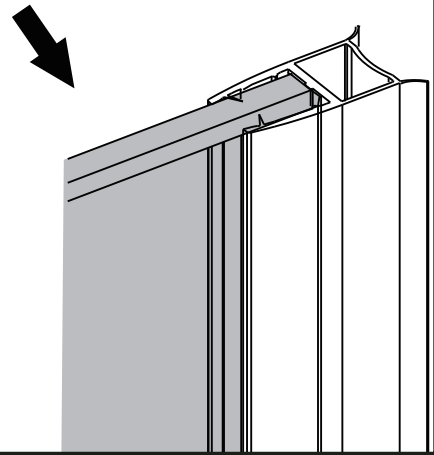
		x2			x1
--	---	-----------	---	---	-----------



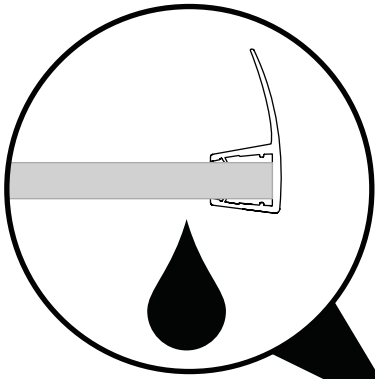
12.1




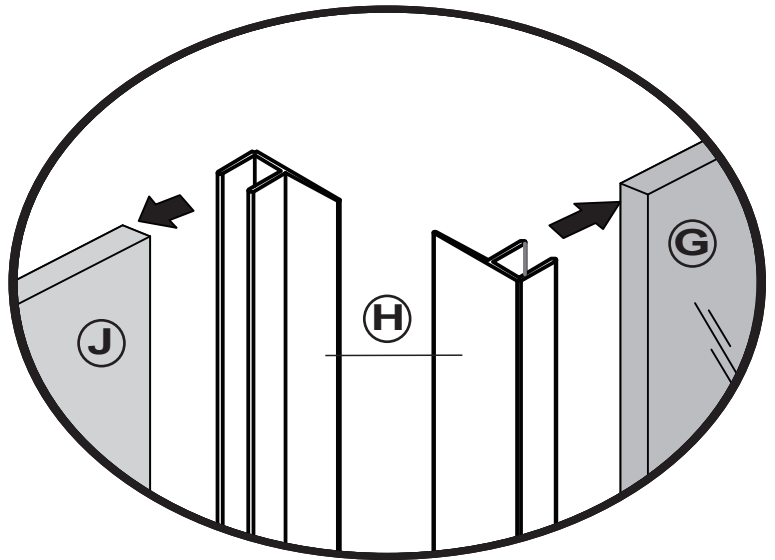
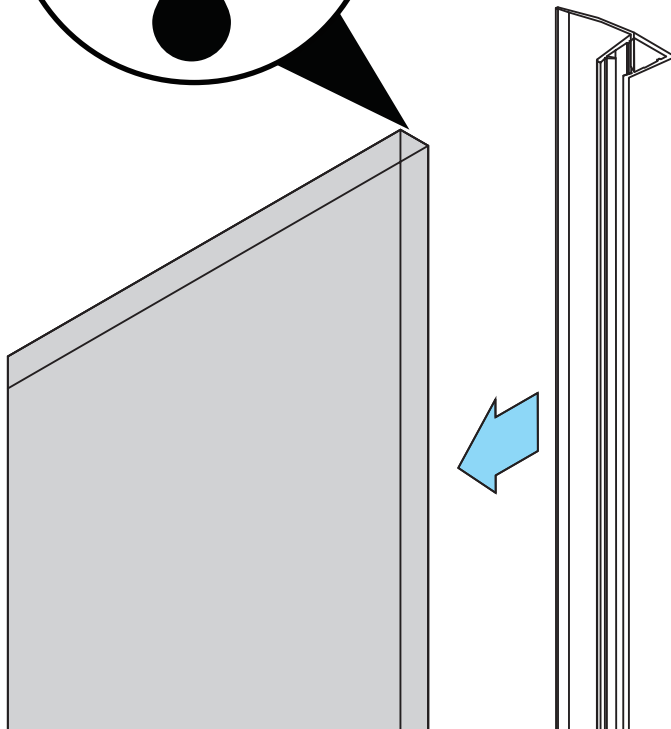
Install Side Seal 



12.2



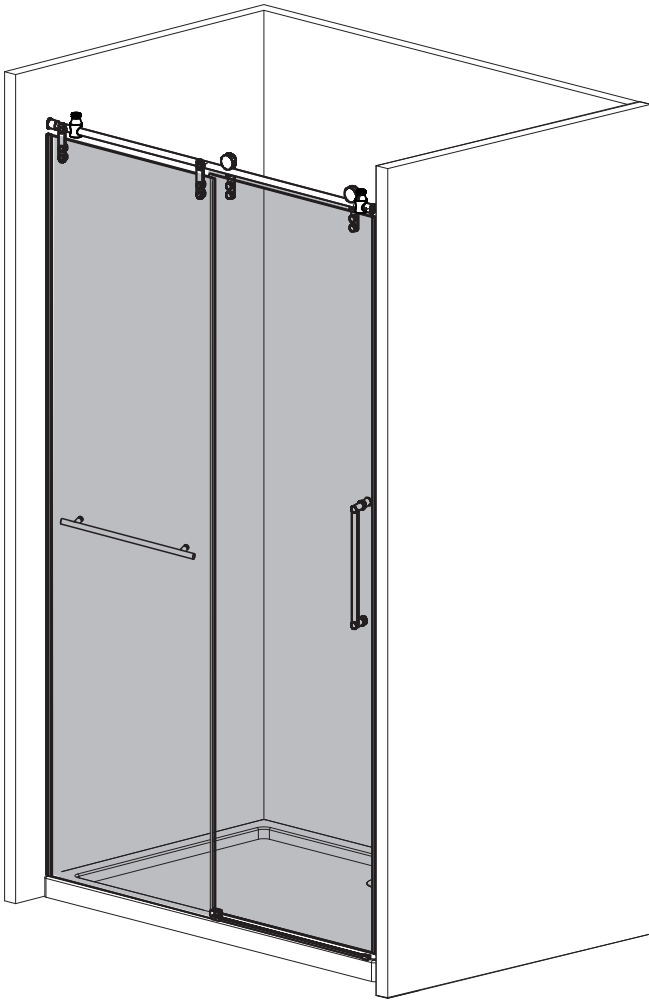
Install Center Seal 



STEP 13

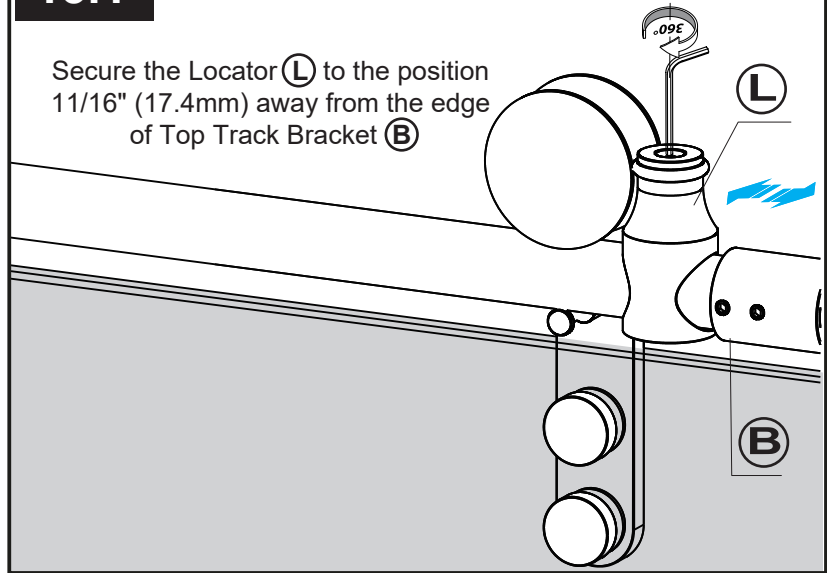
Attach Handle & Towel Bar to Door Panels

- (E)  x1
- (K)  x1

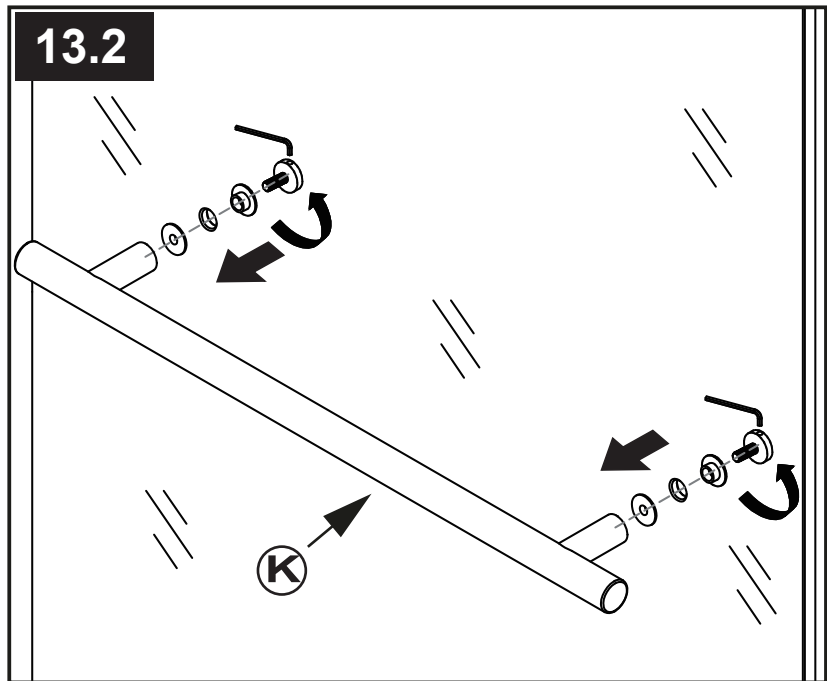


13.1

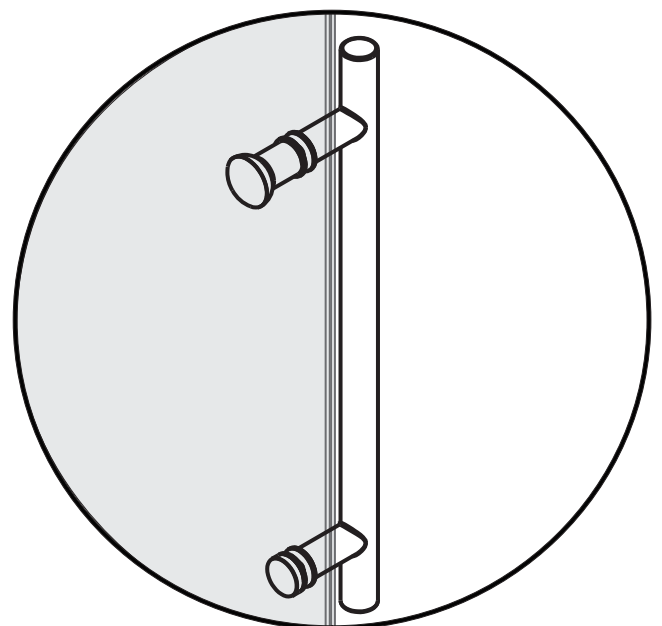
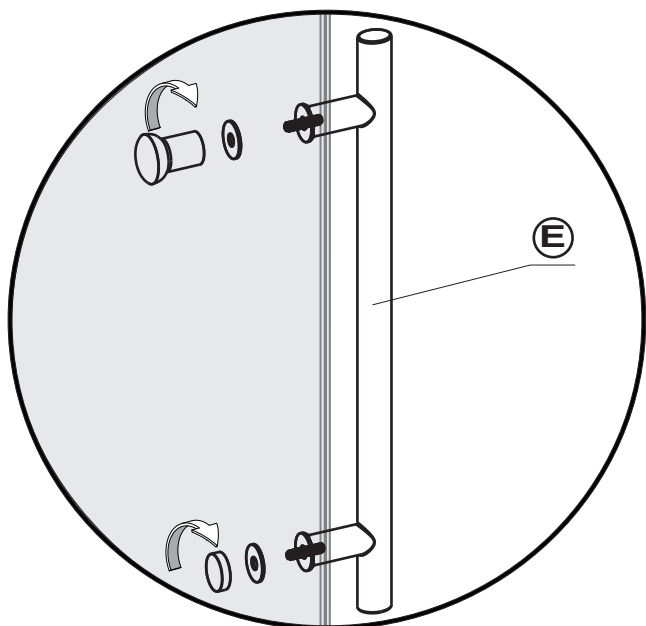
Secure the Locator (L) to the position 11/16" (17.4mm) away from the edge of Top Track Bracket (B)



13.2



13.3



STEP 14

Sealing

NOTE

The surfaces need to be clean and free of debris before applying silicone.

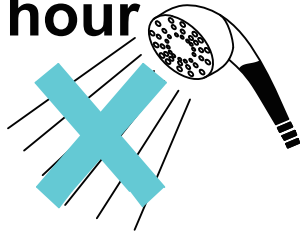
NOTE

Make sure that the shower door is tightly closed and opens smoothly. Use silicone sealant to seal on the seals between the **Fixed Glass Panel** (J) and the wall, and on the bottom of the **Fixed Glass Panel** (J) and the **Waterproof Threshold** (Q).

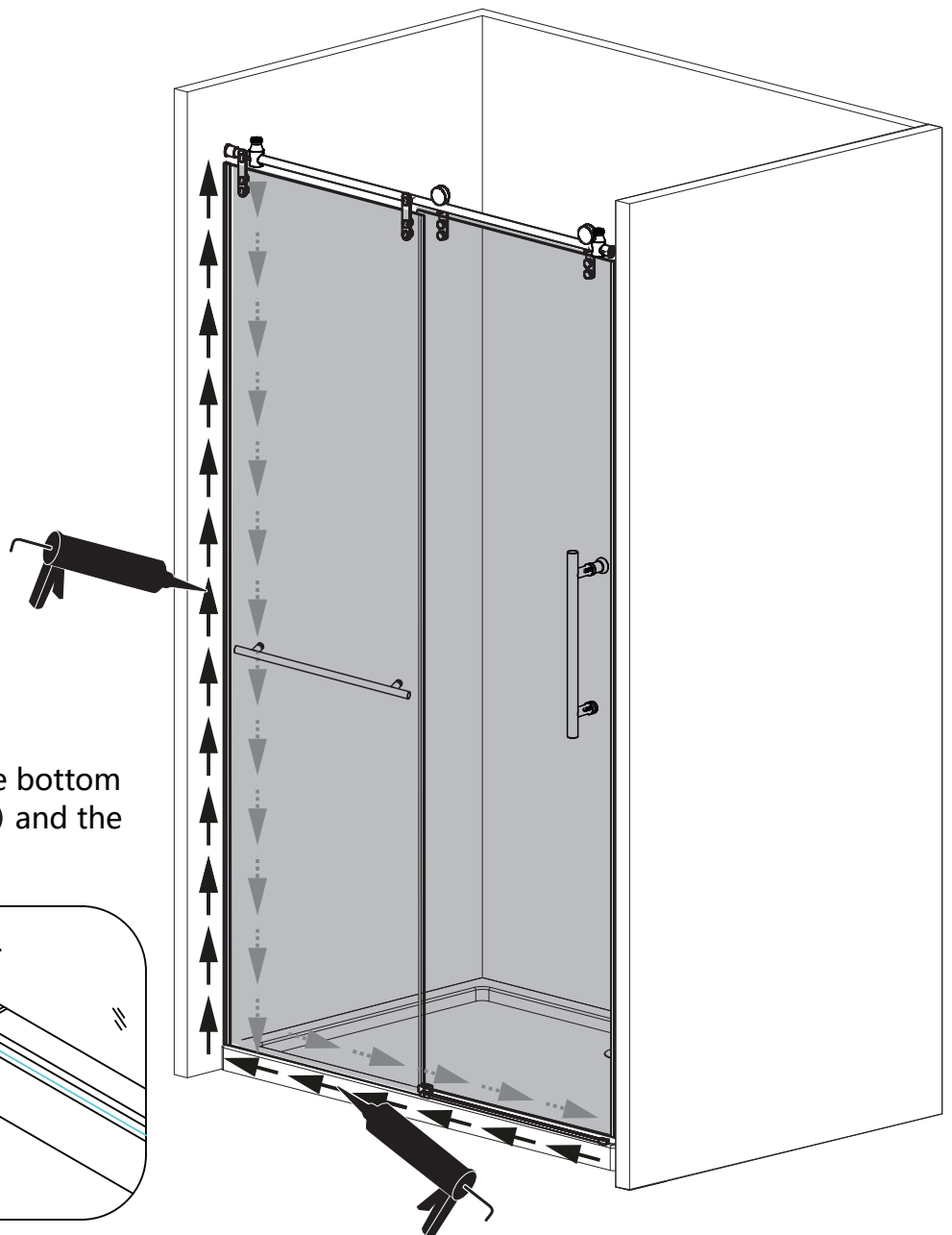
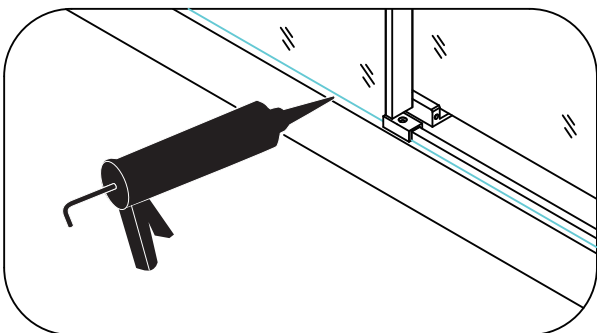
!

Allow 24 hours for the silicone to cure before using the shower.

**24
hour**



Apply silicone sealant on the bottom of the **Fixed Glass Panel** (J) and the **Waterproof Threshold** (Q).



THANK YOU

We hope you enjoy
your purchase.

All of our products are crafted with an
obsessive attention to detail.

Any problem with installation,
please watch the video.

