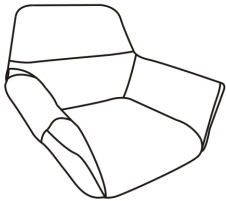

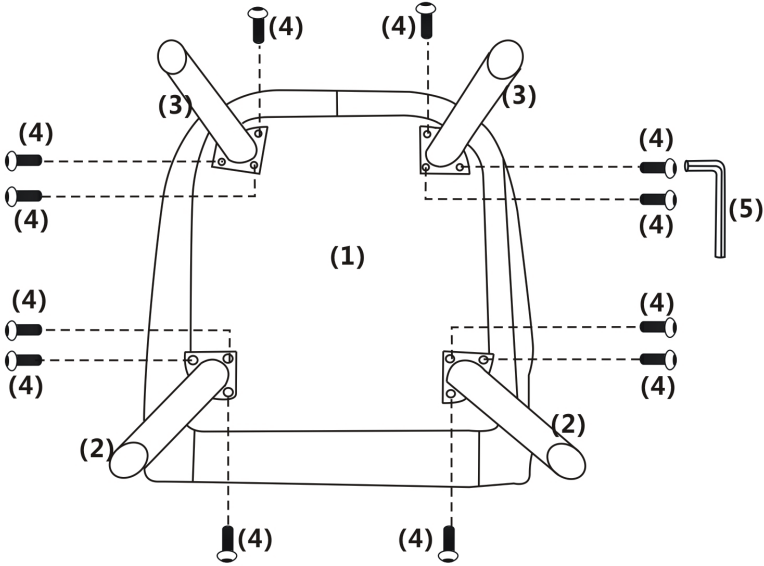




# ASSEMBLY INSTRUCTIONS

<p>(1)x1</p> 	<p>(4)x12</p> 	<p>①</p> 
<p>(2)x2</p> 	<p>(5)x1</p> 	
<p>(3)x2</p> 