

# Y-serise Installation Instruction

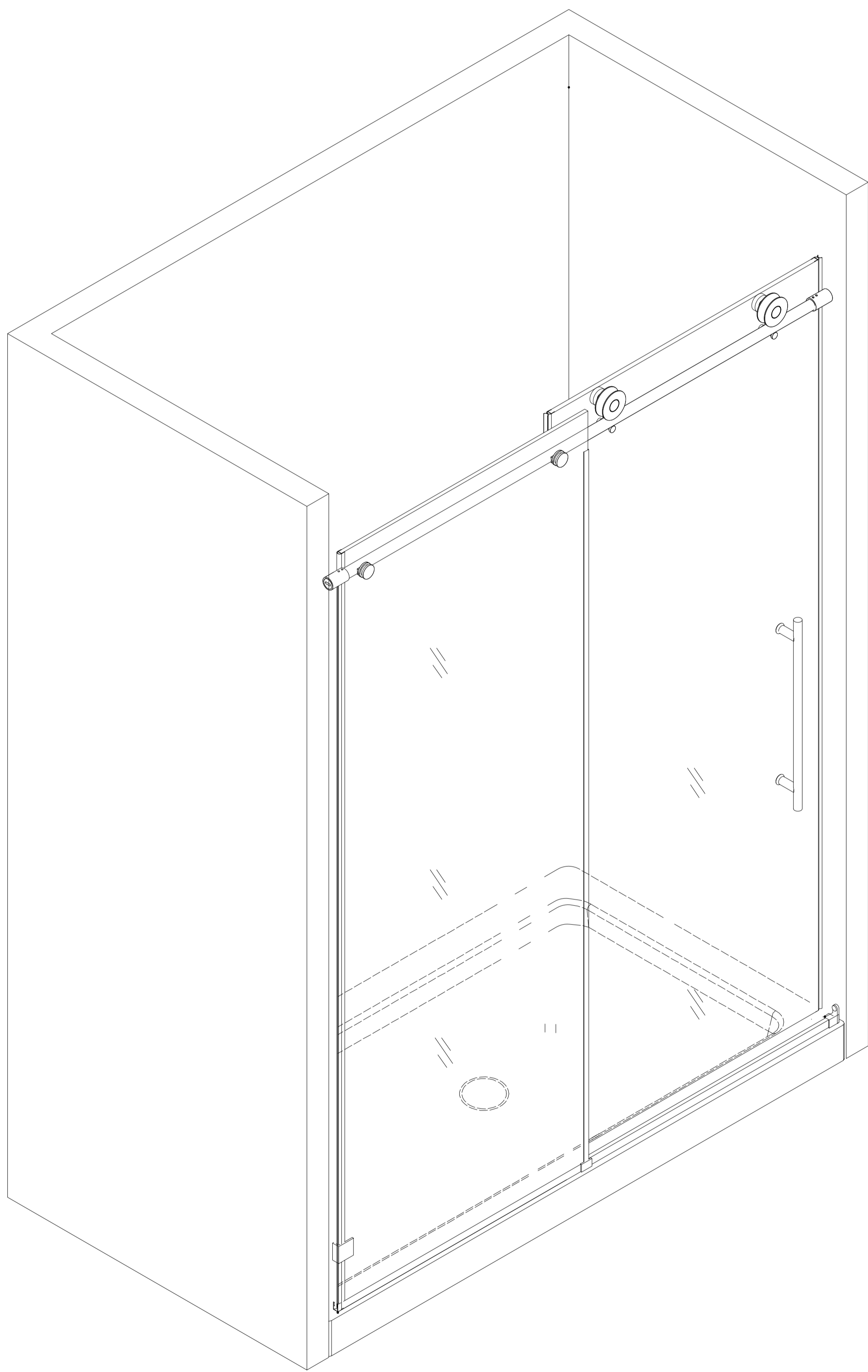
## Instruction Dimensions :

55" - 60" W x 63" H

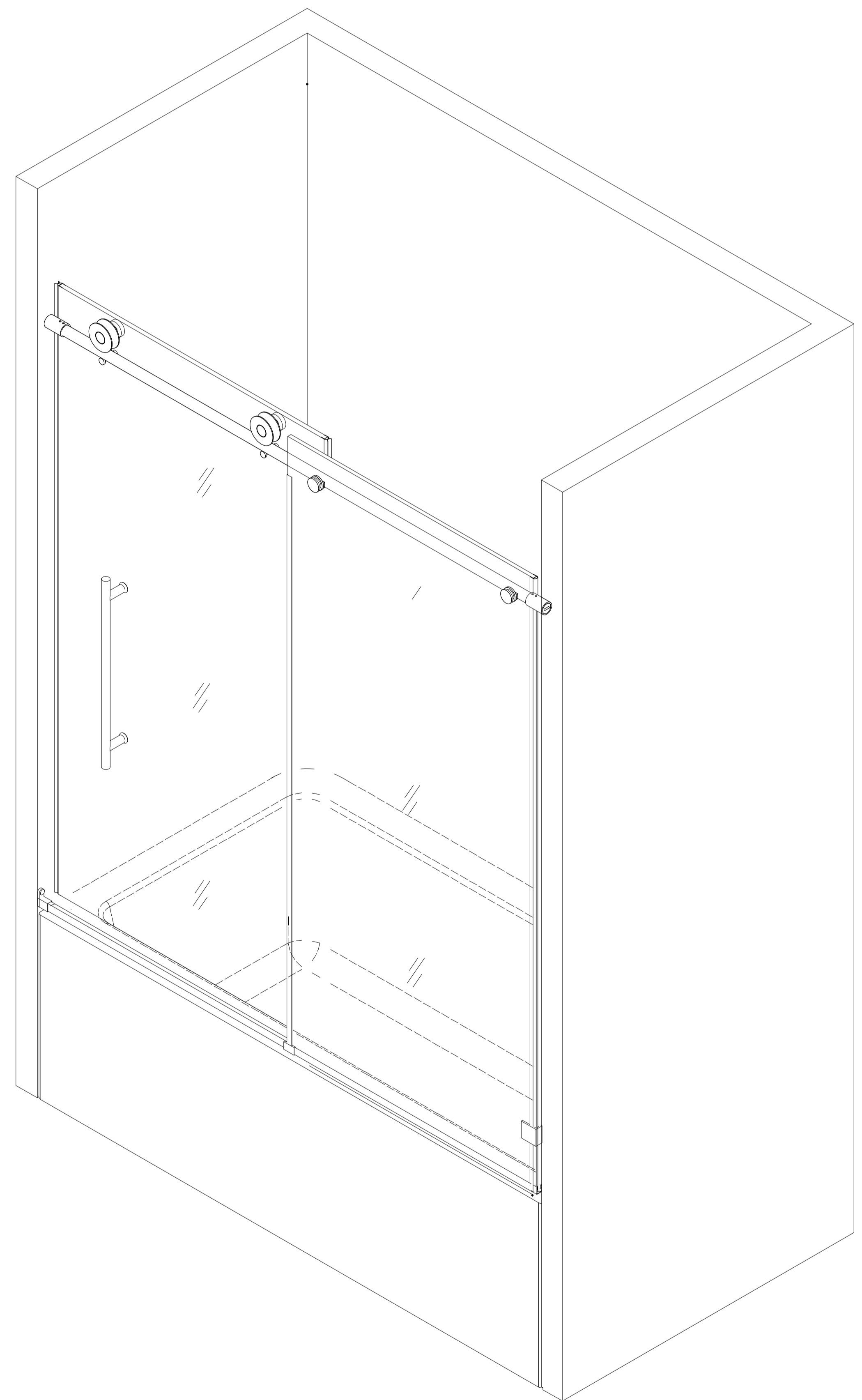
55" - 60" W x 76" H

49" - 54" W x 76" H

43" - 48" W x 76" H



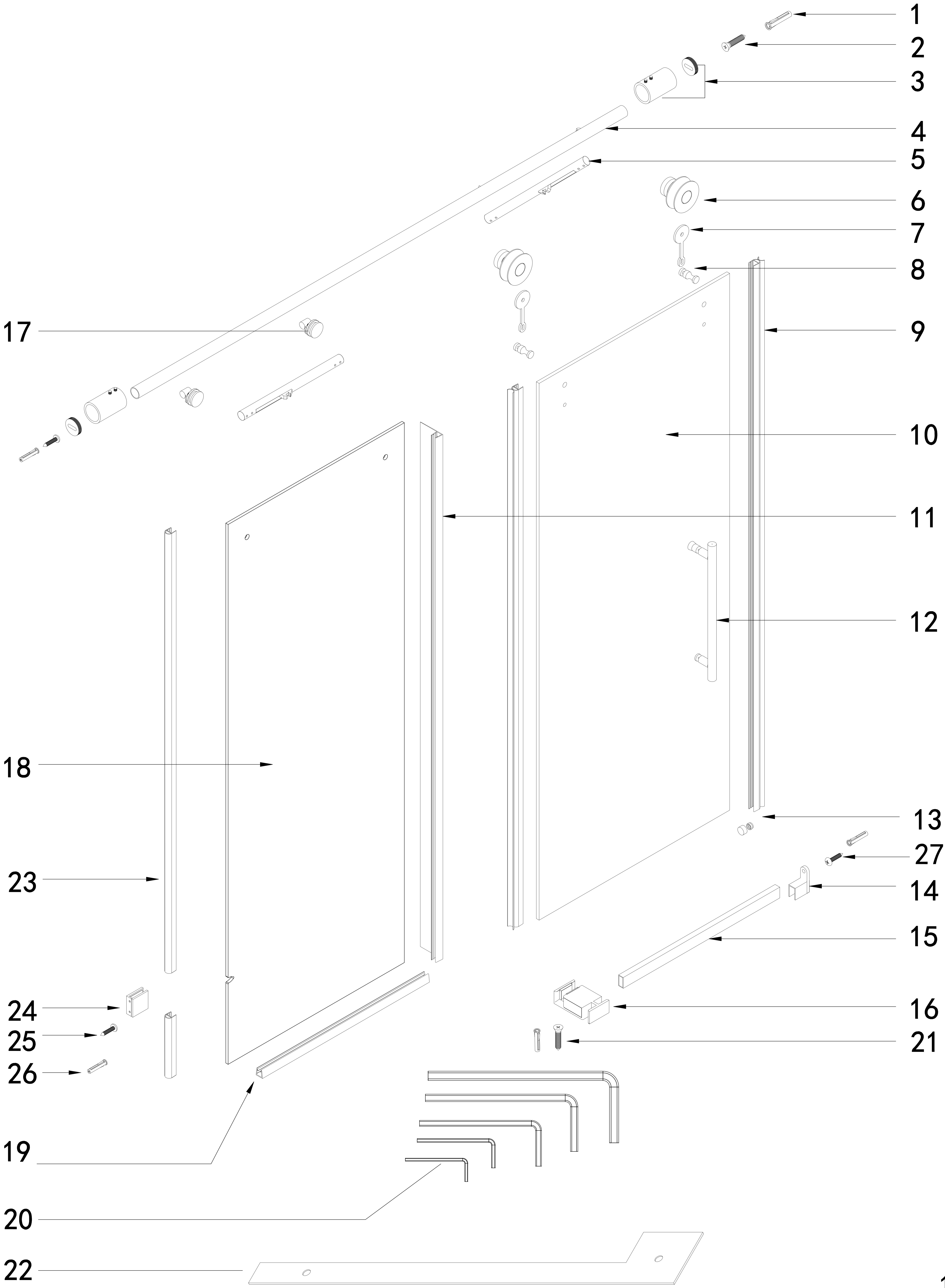
Left Hand Install



Right Hand Install










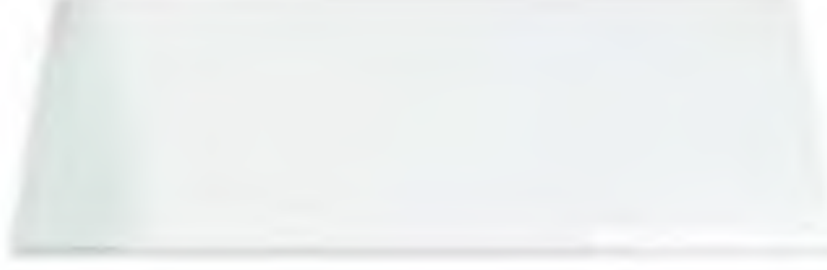










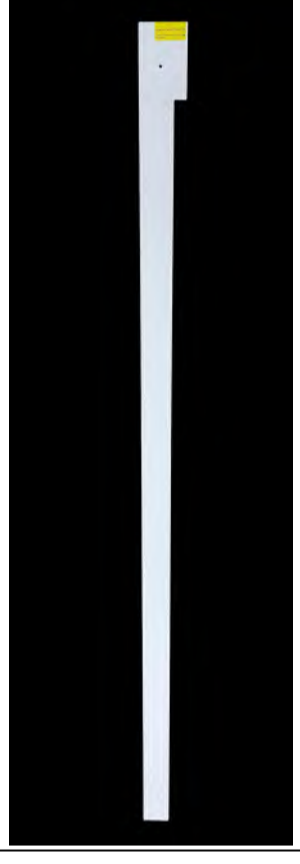







# Detailed Diagram

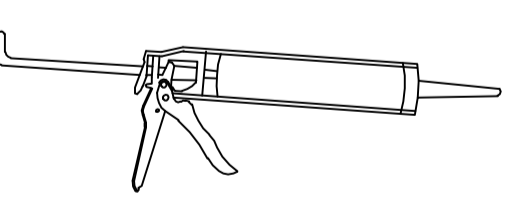

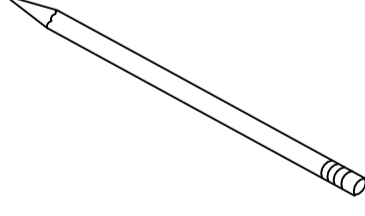

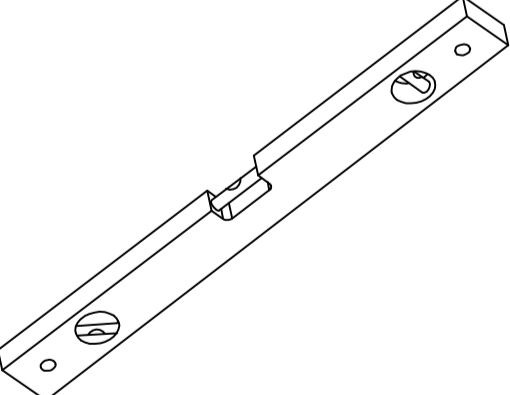
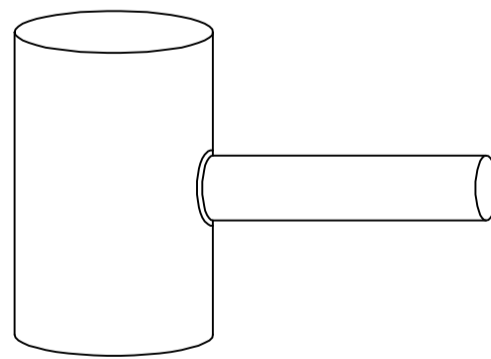
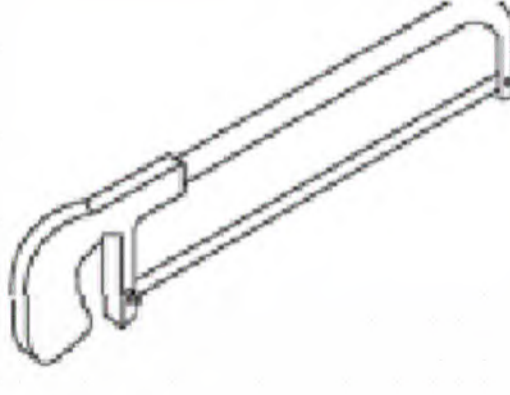
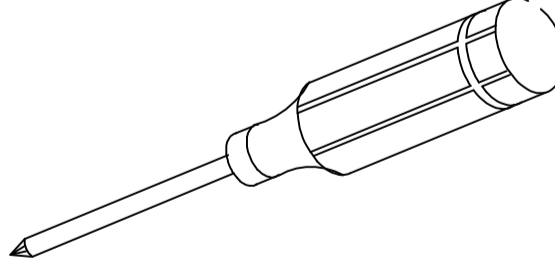


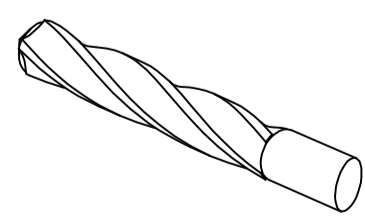
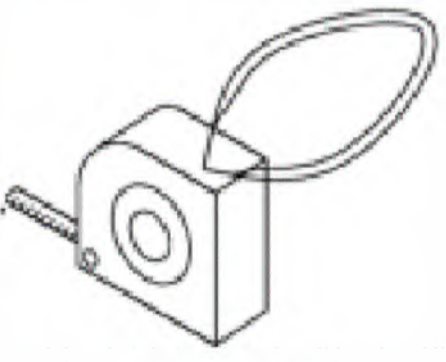


# PART LIST

Check all parts according to the list before assembly

1		2		3		4		5		6	
Ø8 Wall Anchor(2 pcs)		Self-Tapping Screws (5*40) (2pcs)		Rail Wall Connector (2pcs)		Top Rail (1 pc)		Soft Closing Mechanism (2 pcs)		Roller Assembly (2 pcs)	
7		8		9		10		11		12	
Flip-Flop (2pcs)		Anti-Jumper (2 pcs)		Bumper Strip (2 pcs)		Active Panel (1 pc)		Water-Retaining Gasket (1 pcs)		Handle (1 pc)	
13		14		15		16		17		18	
Decoration Cover of Bottom Wall Connecting Part (1 pc)		Bottom Rail Wall Connecting Part(1 pc)		Base Bar (1 pc)		Sliding Block (1 pc)		Pull Rod Fixing Part (2 pcs)		Fixed Panel (1 pc)	
19		20		21		22		23		24	
Waterproof strip ( 1 pc)		Allen Wrench (5 pcs)		Self-Tapping Screws (4*35) (1pc)		Template ( 1 pc)		Bumper Strip (1 pc)		Wall connecting clip (1 pc)	
25		26		27							
Self-Tapping Screws (4*40) (1pc)		Ø6 Wall Anchor(4pcs) A backup		Self-Tapping Screws (4*35) (1pc)							

## Recommended Tools

								
Silicone	Safety Glass	Pencil	Drill	Level	Rubber Hammer	Hacksaw	Screw Driver	Safety Gloves
								
Safety Gloves	1/4"Drill Bit	Tape Measure						

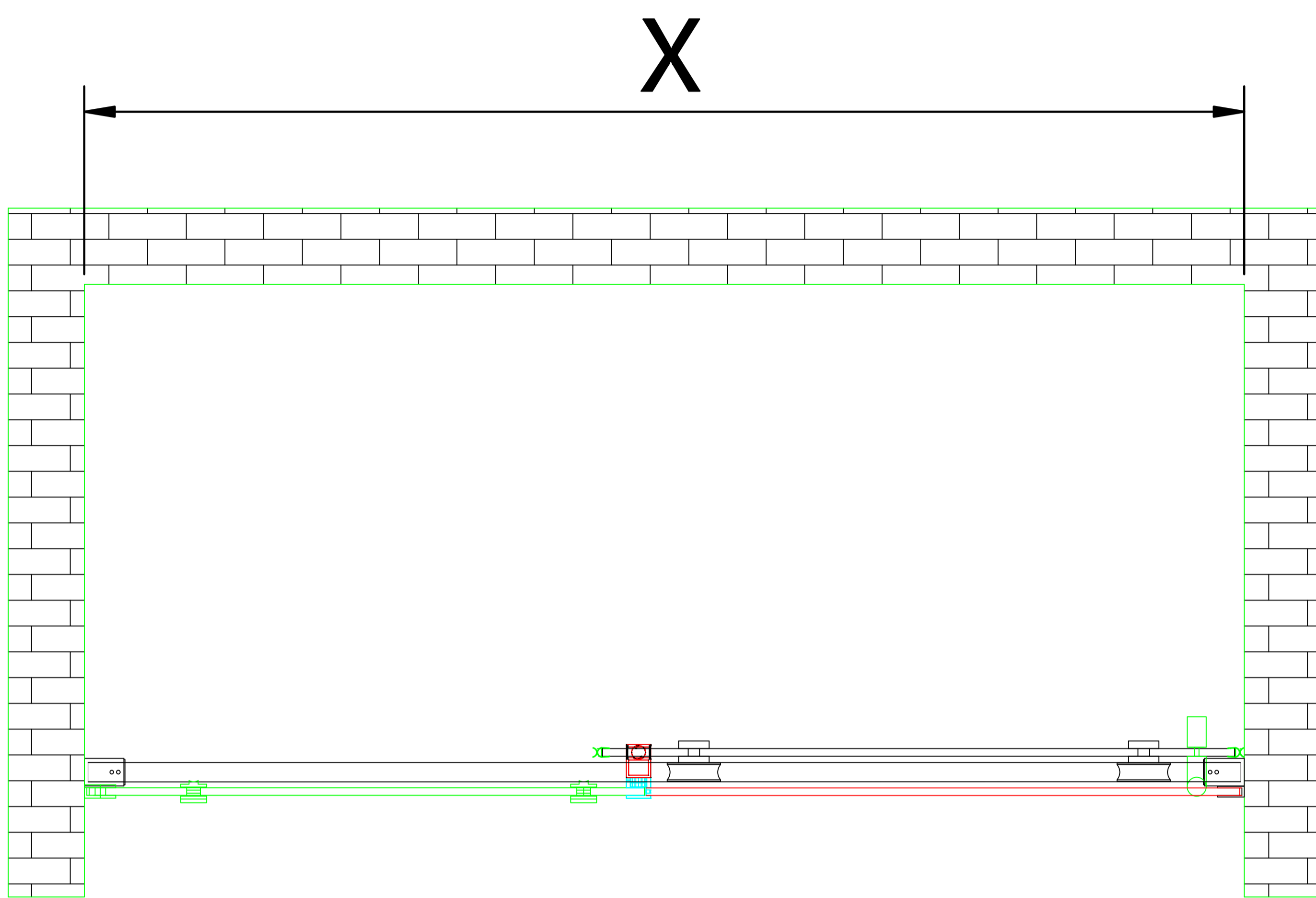
\* Utilize Safety Glasses and Safety Gloves when constructing this shower door  
 \* We recommend that 2 people work together to complete this installation

Choose the appropriate diagram below to assemble your shower door

**Installation Dimensions : 55" - 60" W**

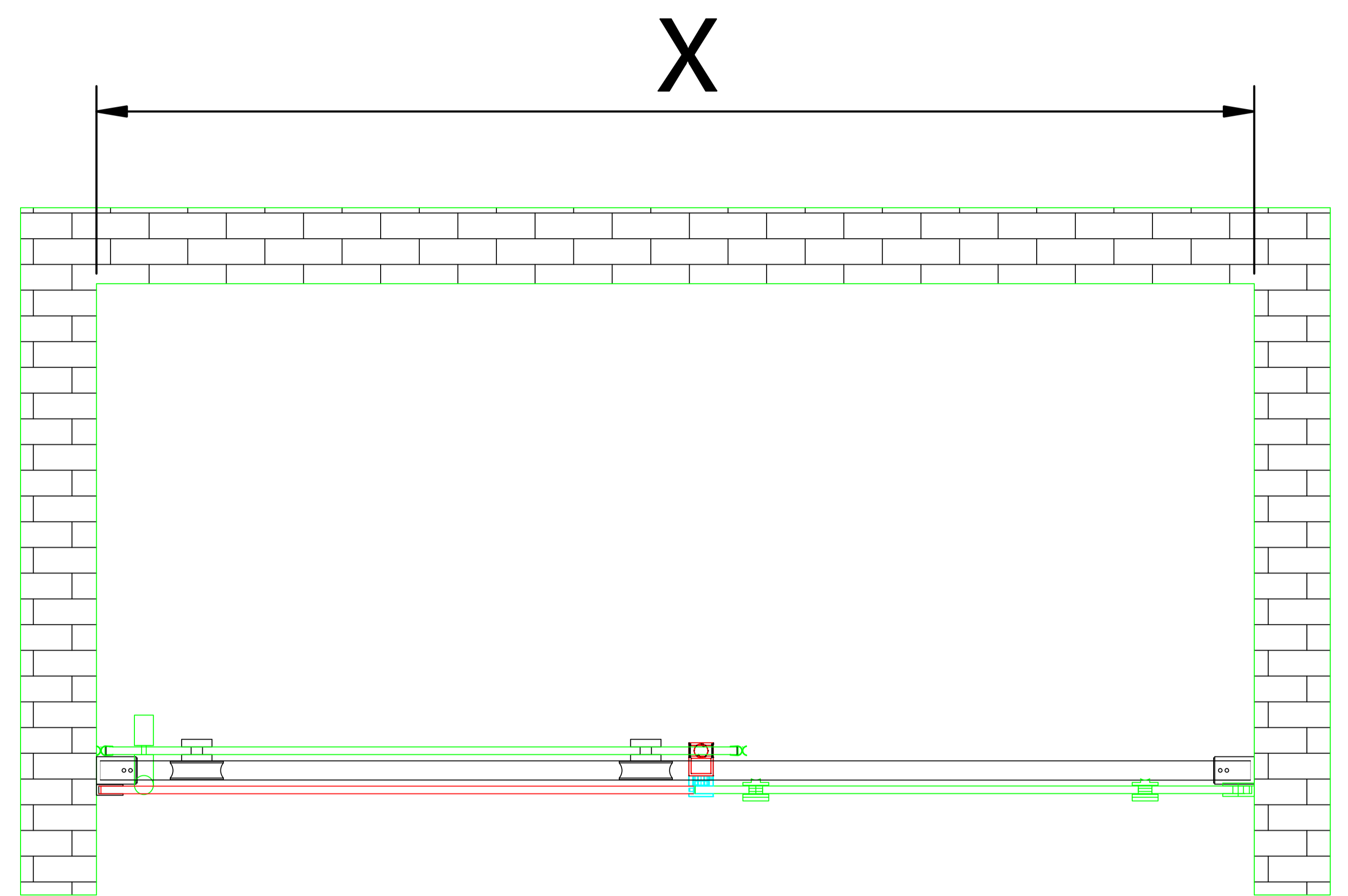
## Left Hand Assembly

1. Measure the opening for the correct Shower Door size.



## Right Hand Assembly

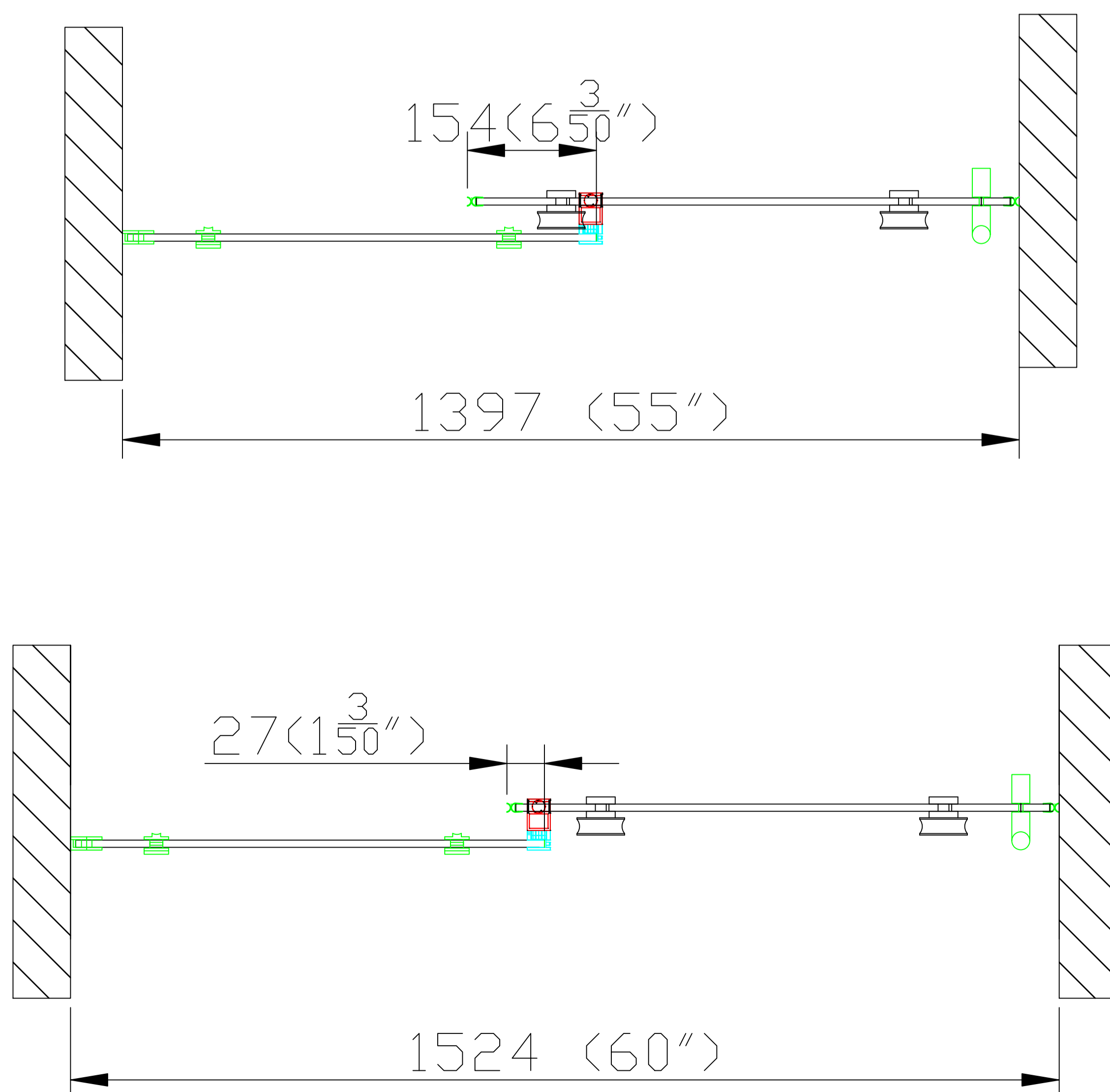
1. Measure the opening for the correct Shower Door size.



### Instructions:

The width of this product can be Minimum 127mm(5 inches) reduction

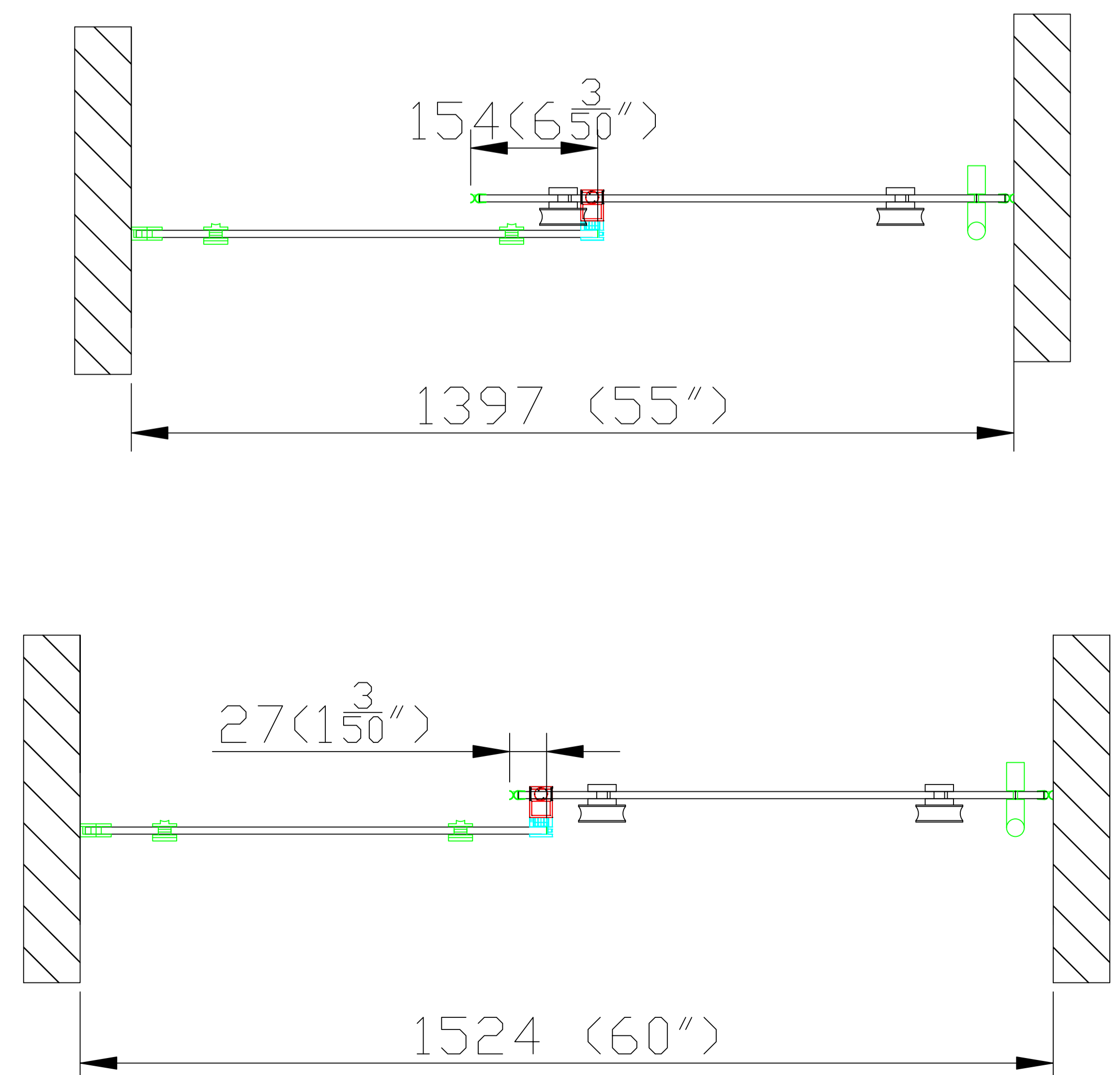
**As shown in the following picture (55" - 60" W)**



### Instructions:

The width of this product can be Minimum 127mm(5 inches) reduction

**As shown in the following picture (55" - 60" W)**

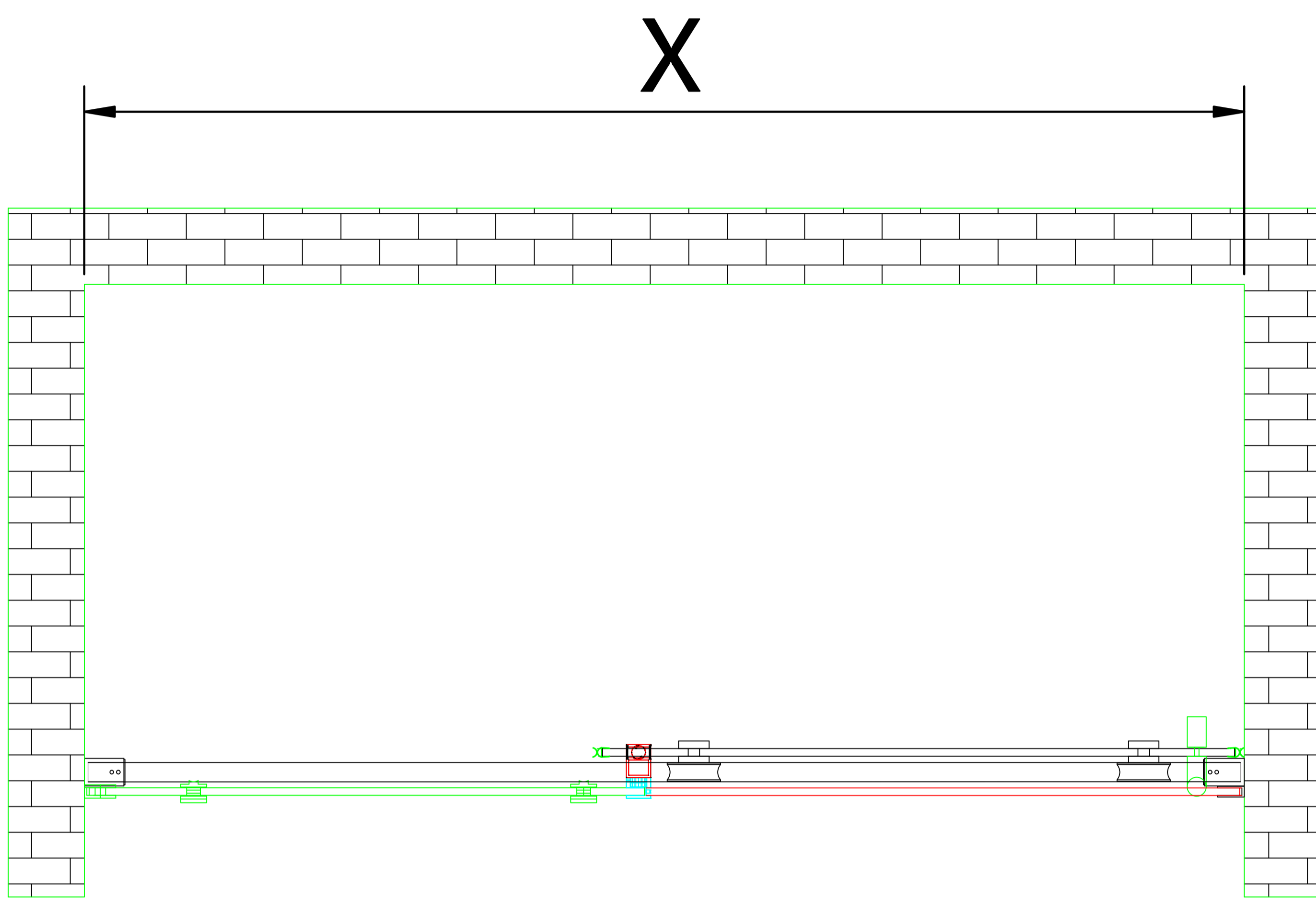


Choose the appropriate diagram below to assemble your shower door

**Installation Dimensions : 49" - 54" W**

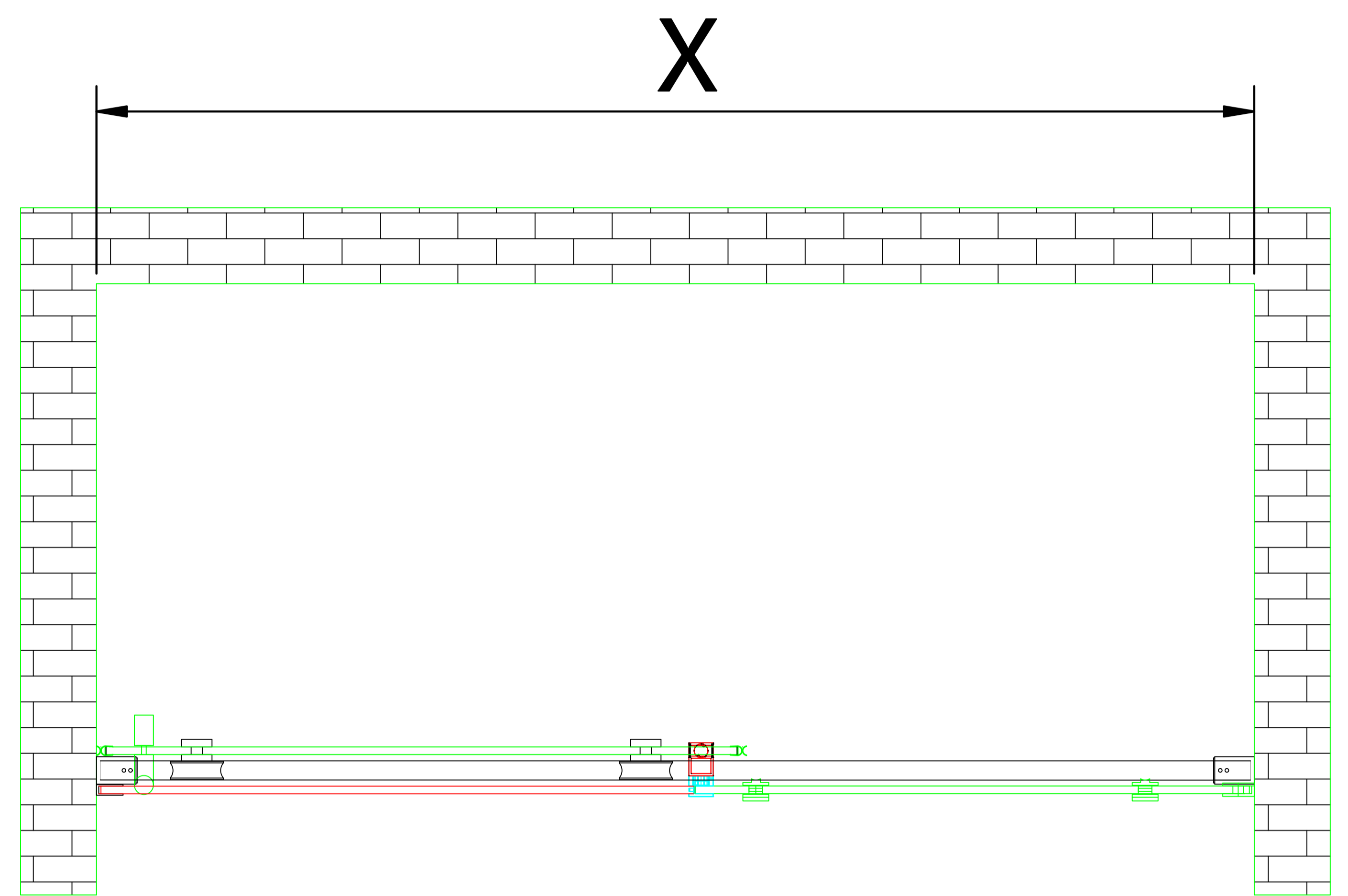
## Left Hand Assembly

1. Measure the opening for the correct Shower Door size.



## Right Hand Assembly

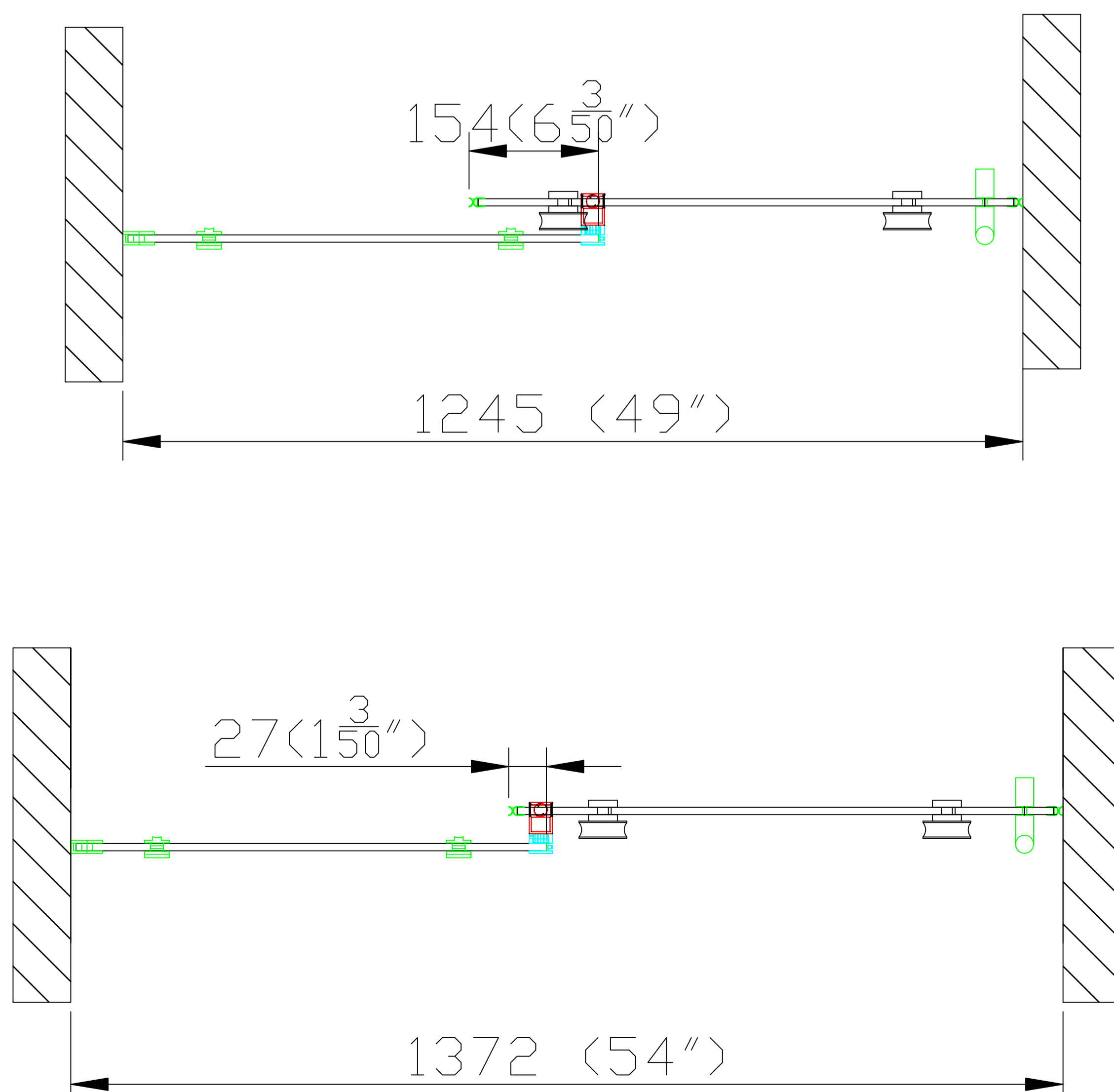
1. Measure the opening for the correct Shower Door size.



### Instructions:

The width of this product can be Minimum 127mm(5 inches) reduction

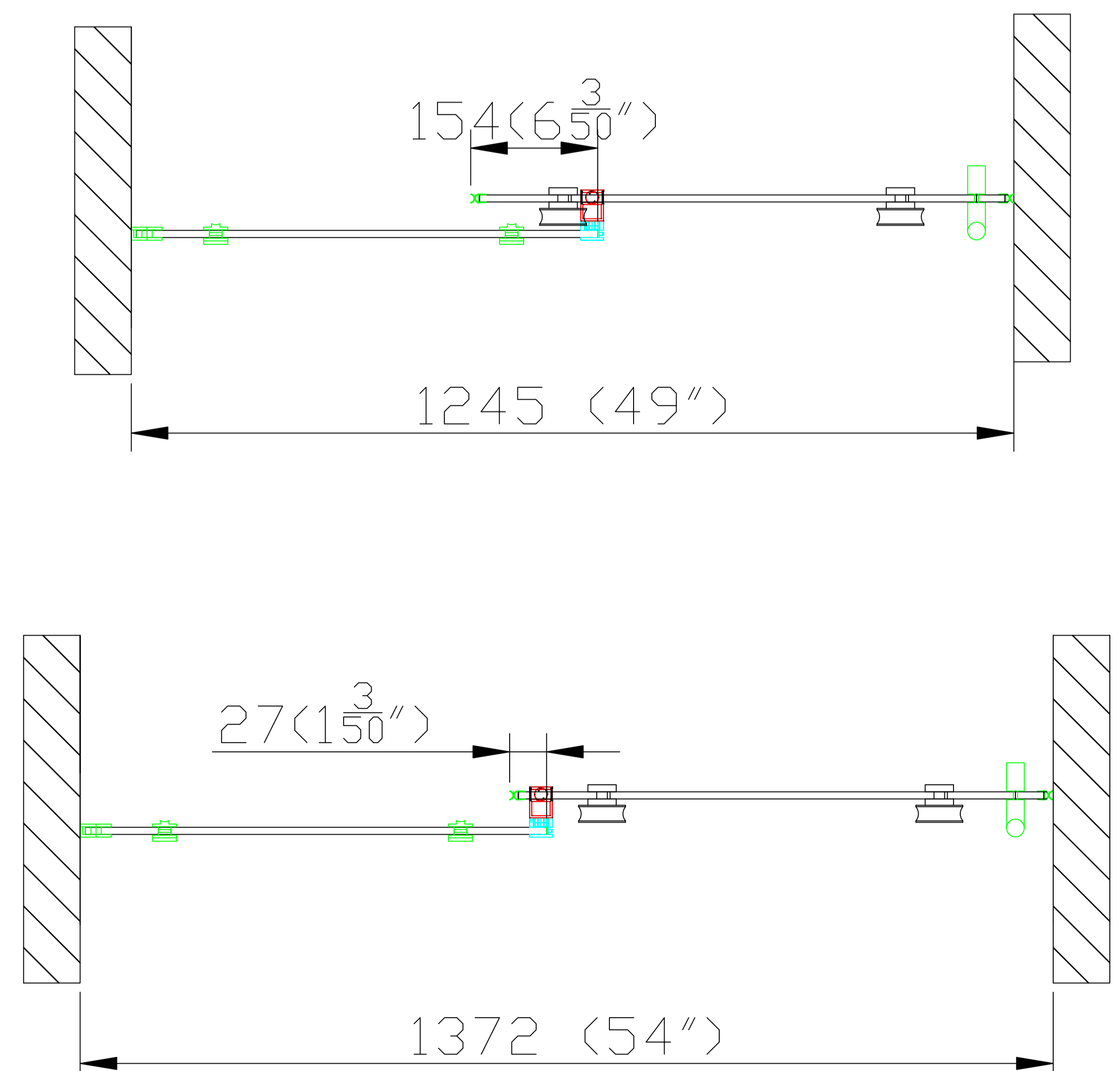
**As shown in the following picture (49" - 54" W)**



### Instructions:

The width of this product can be Minimum 127mm(5 inches) reduction

**As shown in the following picture (49" - 54" W)**

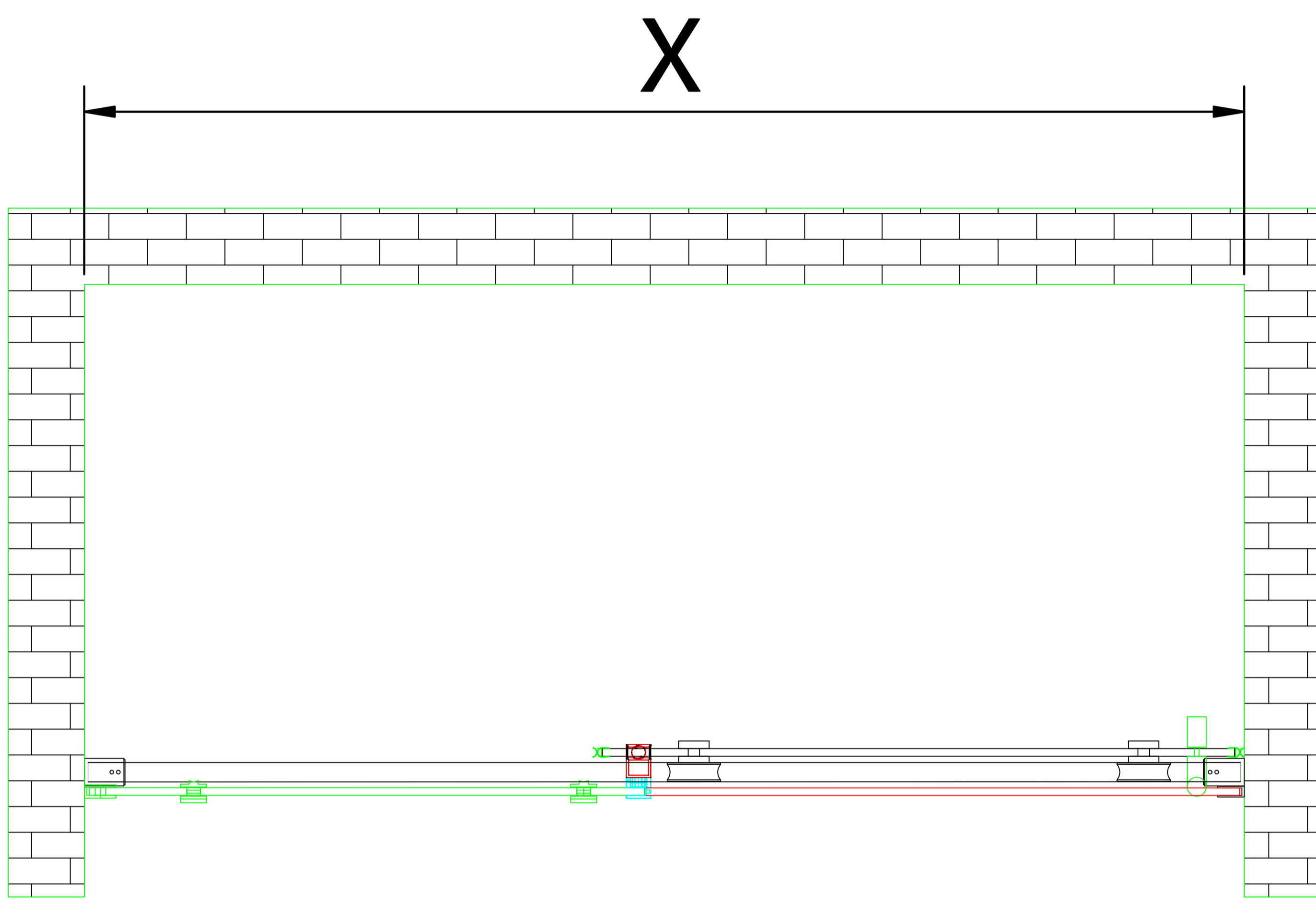


Choose the appropriate diagram below to assemble your shower door

**Installation Dimensions : 43" - 48" W**

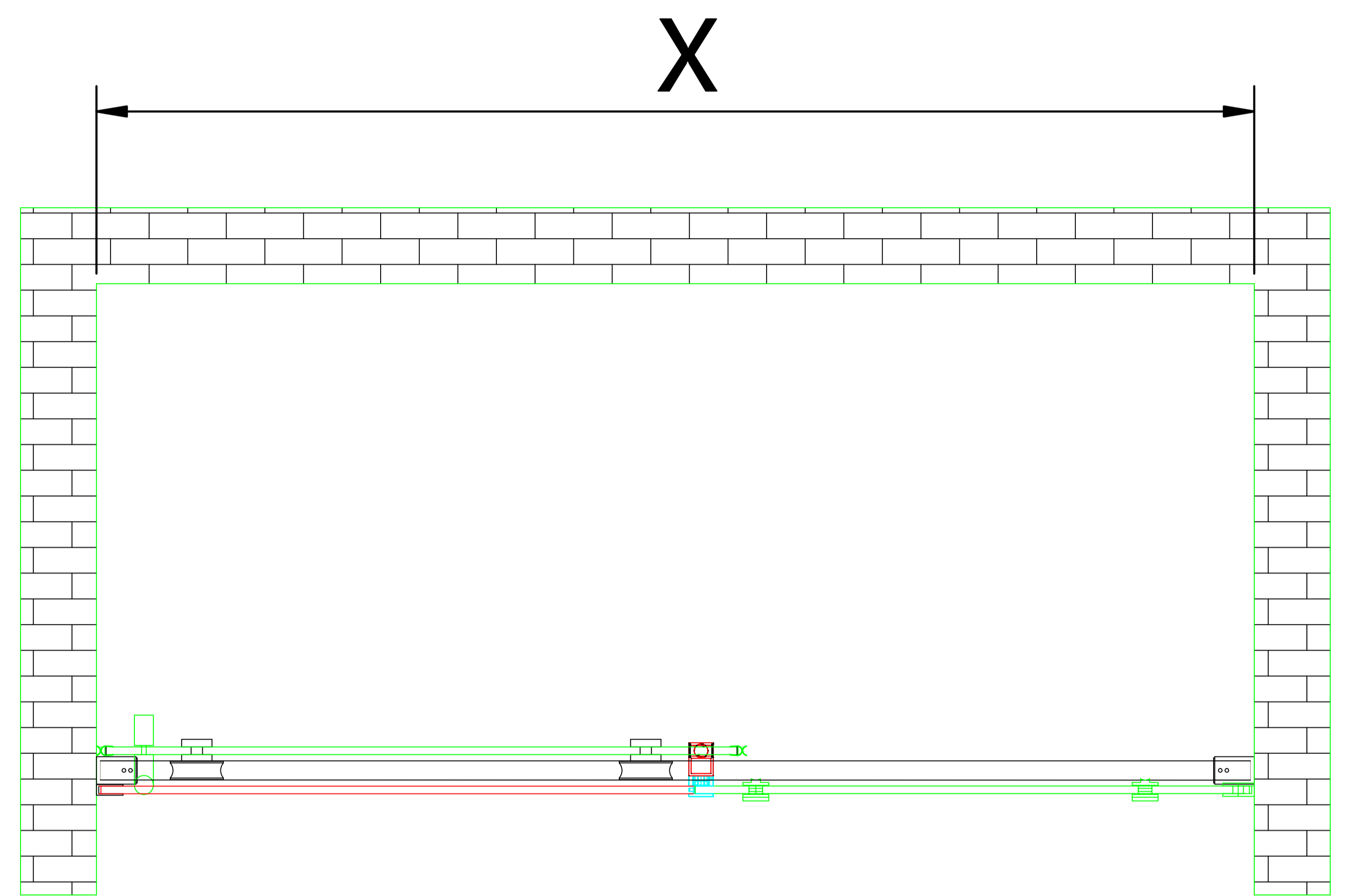
## Left Hand Assembly

1. Measure the opening for the correct Shower Door size.



## Right Hand Assembly

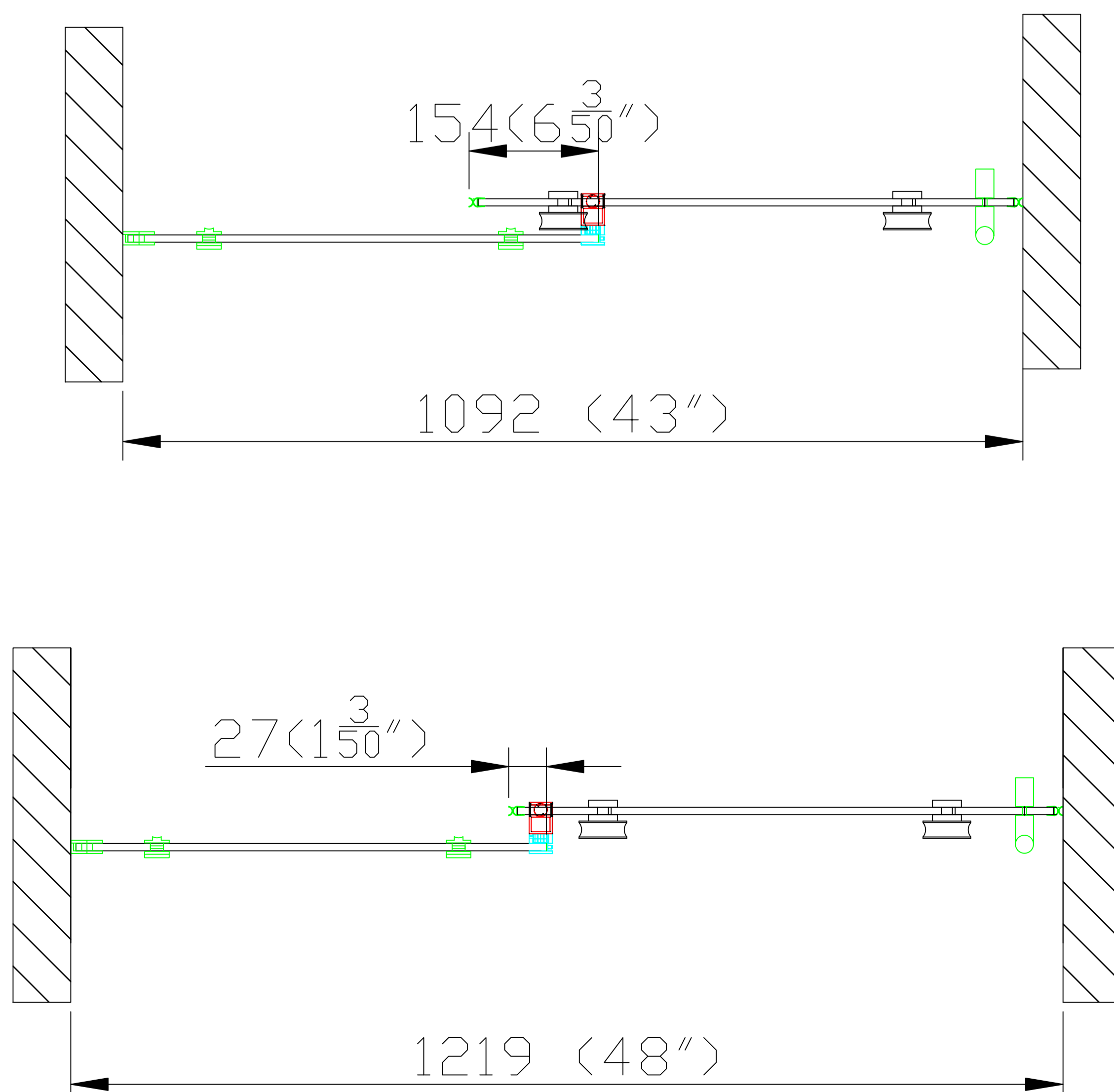
1. Measure the opening for the correct Shower Door size.



### Instructions:

The width of this product can be Minimum 127mm(5 inches) reduction

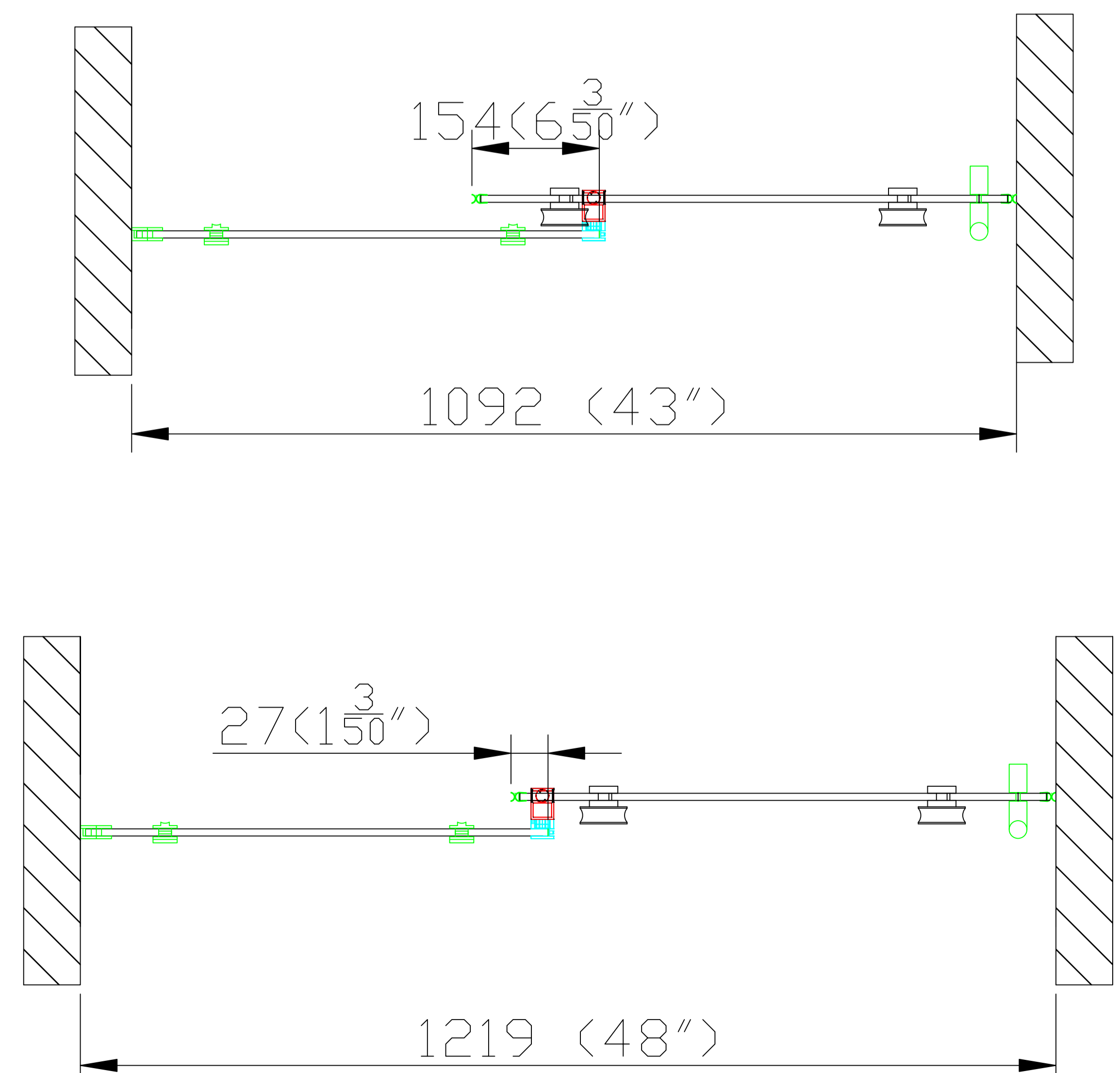
**As shown in the following picture (43" - 48" W)**



### Instructions:

The width of this product can be Minimum 127mm(5 inches) reduction

**As shown in the following picture (43" - 48" W)**



# Left Hand Assembly

Measure the installation size of the shower room, and cut the pull rod according to the size required by the actual demand, pull rod length = shower room width - 25MM (1 ")

**1**

Install roller on the active panel ,and place the active panel in the shower place.

▲ Move the active panel to the shower area. Lay the glass on a soft padded surface!

**2**

Use the template to mark and drill holes on both walls, note that the hole at the bottom right does not need to be drilled. Install the pull rod 3-A on the left and right walls.

**1**  $\frac{5}{16}$ " Drill Bit

**2**  $\frac{5}{16}$ " Wall Anchor

**3** ST5X40

▲ The hole at the edge of the glass door is not to be drilled

▲ Drill this hole on the edge of the fixed glass.

**3**

Install top rail.

**4**

1. Install waterproof strip on the fixed panel.  
2. Install wall connecting clip (24) on the wall.

**5**

1. Install fixed panel on the top rail.  
2. Tighten the wall connecting clip.

**6**

Install guide block (16) and waterproof strip (15).

▲ If cannot be drilled ,please fixed it with glass gule.

**7**

Install active panel.

**8**

Visual inside the shower room

1. Install water-retaining gasket and handle.  
2. Seal with glass gule.

**9**

Top View

# Right Hand Assembly

Measure the installation size of the shower room, and cut the pull rod according to the size required by the actual demand, pull rod length = shower room width - 25MM (1 ")

**1**

Install roller on the active panel ,and place the active panel in the shower place.

▲ Move the active panel to the shower area. Lay the glass on a soft padded surface!

**2**

Use the template to mark and drill holes on both walls, note that the hole at the bottom right does not need to be drilled. Install the pull rod 3-A on the left and right walls.

5/16" Drill Bit

5/16" Wall Anchor

ST5X40

▲ The hole at the edge of the glass door is not to be drilled

▲ Drill this hole on the edge of the fixed glass.

**3**

Install top rail.

3-B

3-A

2.5mm

2.5mm

**4**

1. Install waterproof strip on the fixed panel.  
2. Install wall connecting clip 24 on the wall.

18

1

2

3

23

19

24

**5**

1. Install fixed panel on the top rail.  
2. Tighten the wall connecting clip.

24

18

**6**

Install guide block 16 and waterproof strip 15.

If cannot be drilled ,please fixed it with glass gule

1

2

3

16

15

13

14

**7**

Install active panel.

1

2

3

6

7

4

10

8

Visual inside the shower room

**8**

1. Install water-retaining gasket and handle.  
2. Seal with glass gule.

9

11

9

1

2

Top View

3

9

11

**9**

# STEP 1

## Measure the finished opening width.

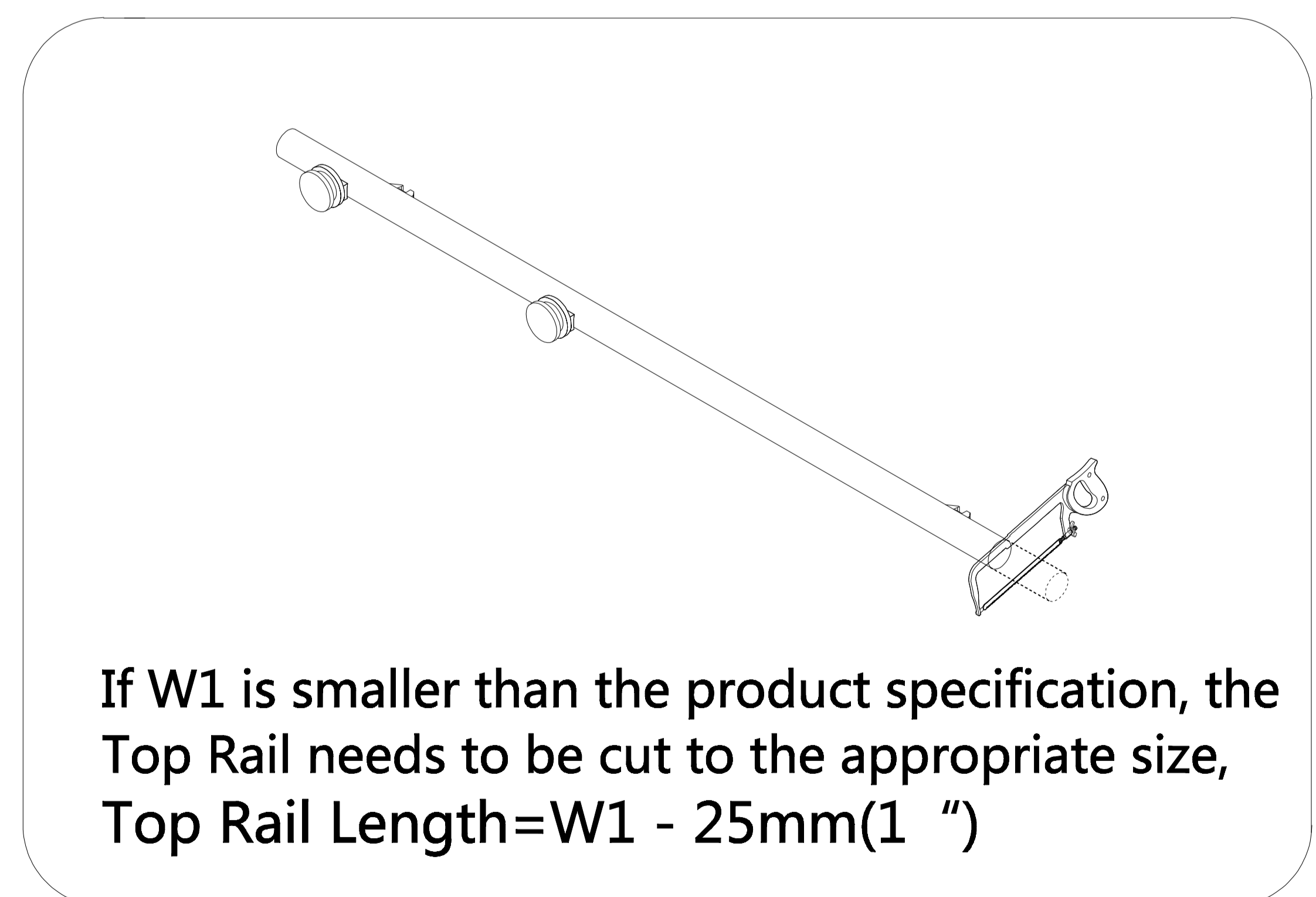
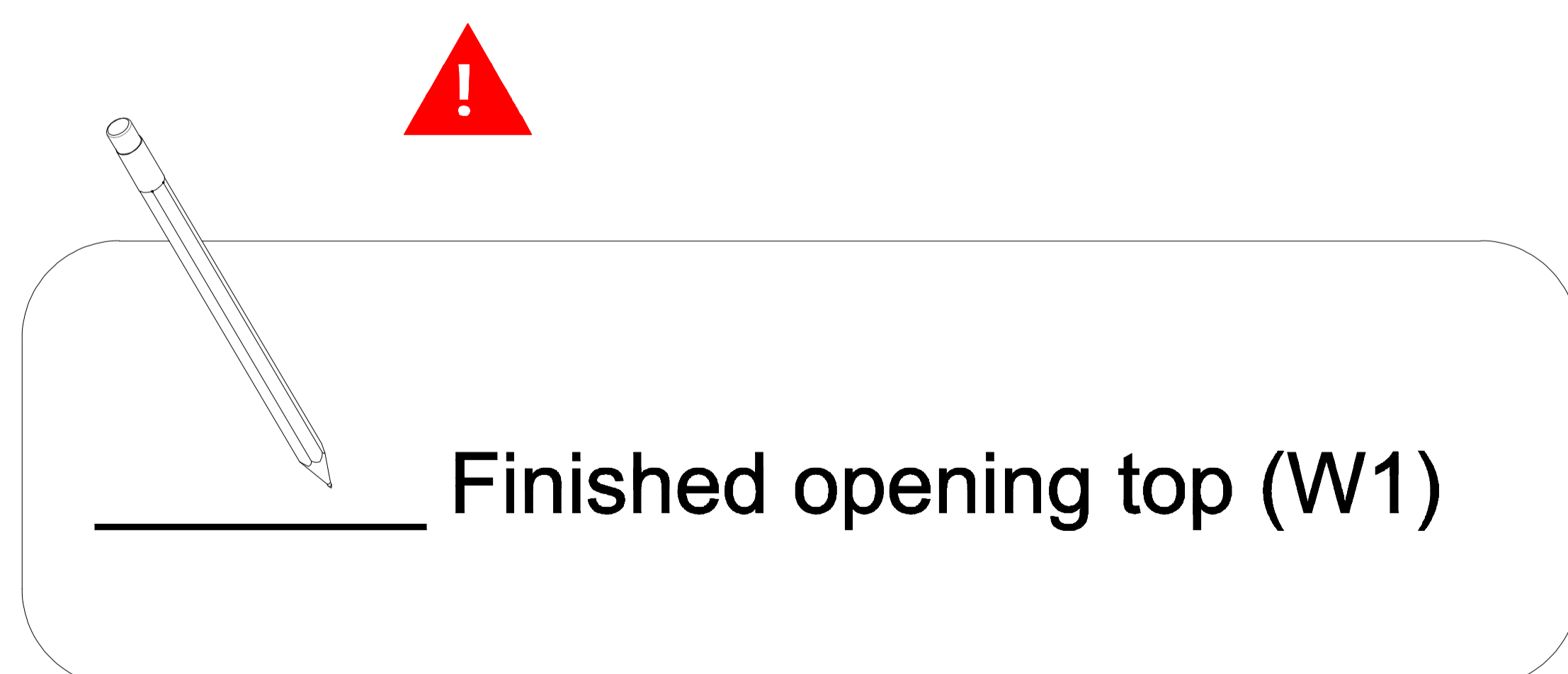
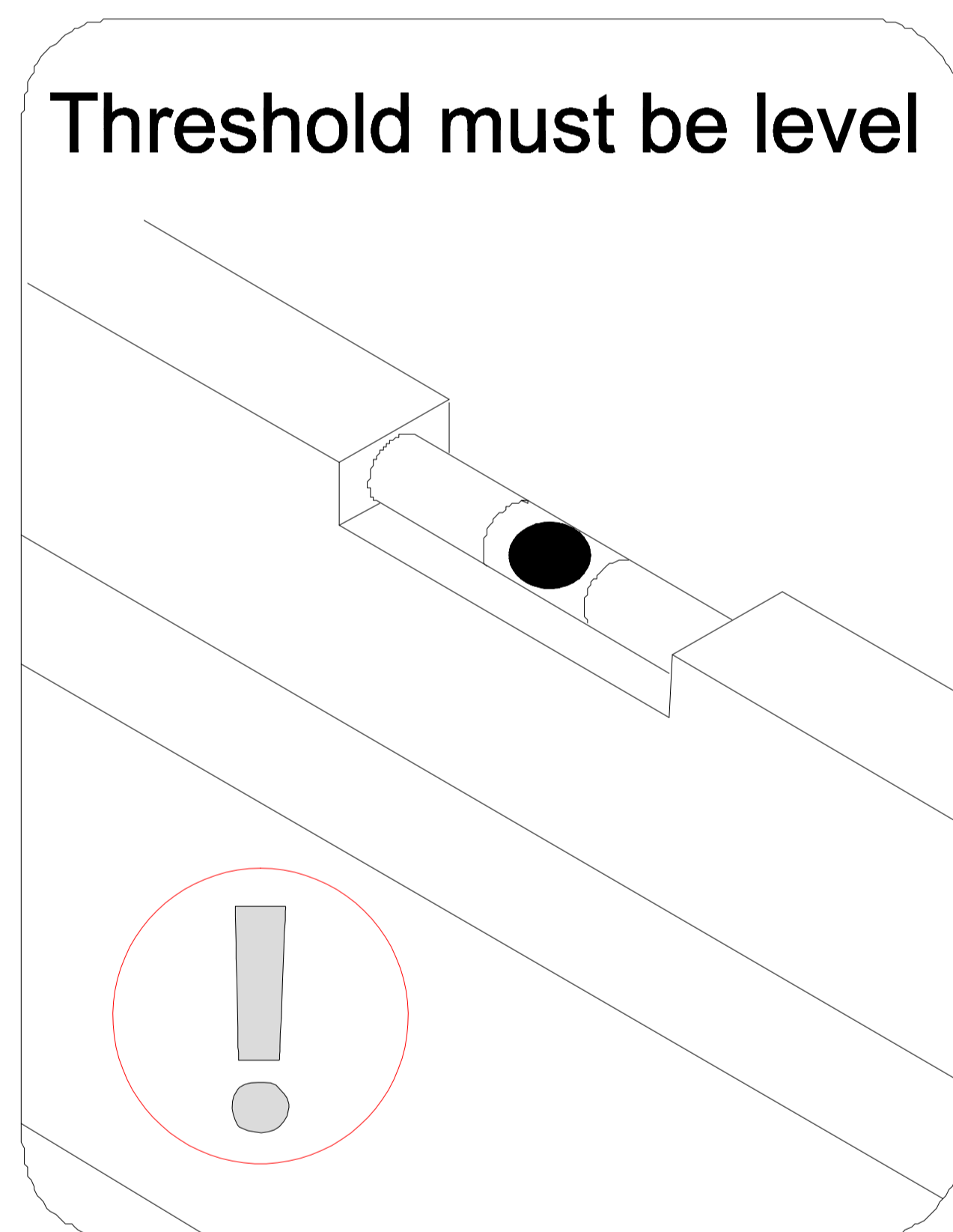
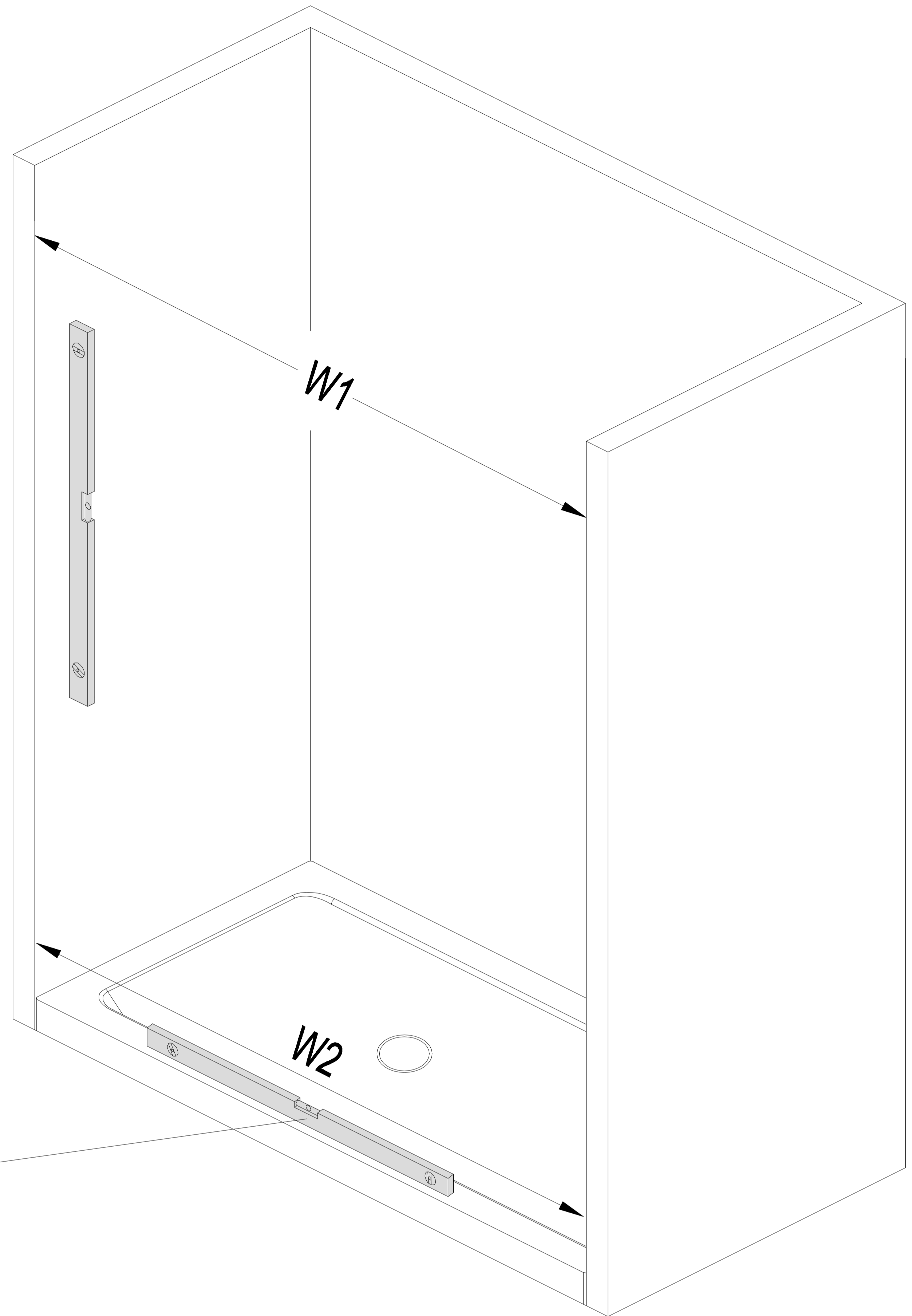
**IMPORTANT:** Incorrect measurement may prevent proper door closure. Double-check measurement.

Before beginning installation, verify the door assembly will fit within the horizontal opening of the shower enclosure.

Measure distance "W1" of upper shower enclosure opening and distance "W2" of lower shower enclosure opening.

Both measurements should be within the dimensions listed above for required opening widths.

W1 = Upper Enclosure Width  
W2 = Lower Enclosure Width

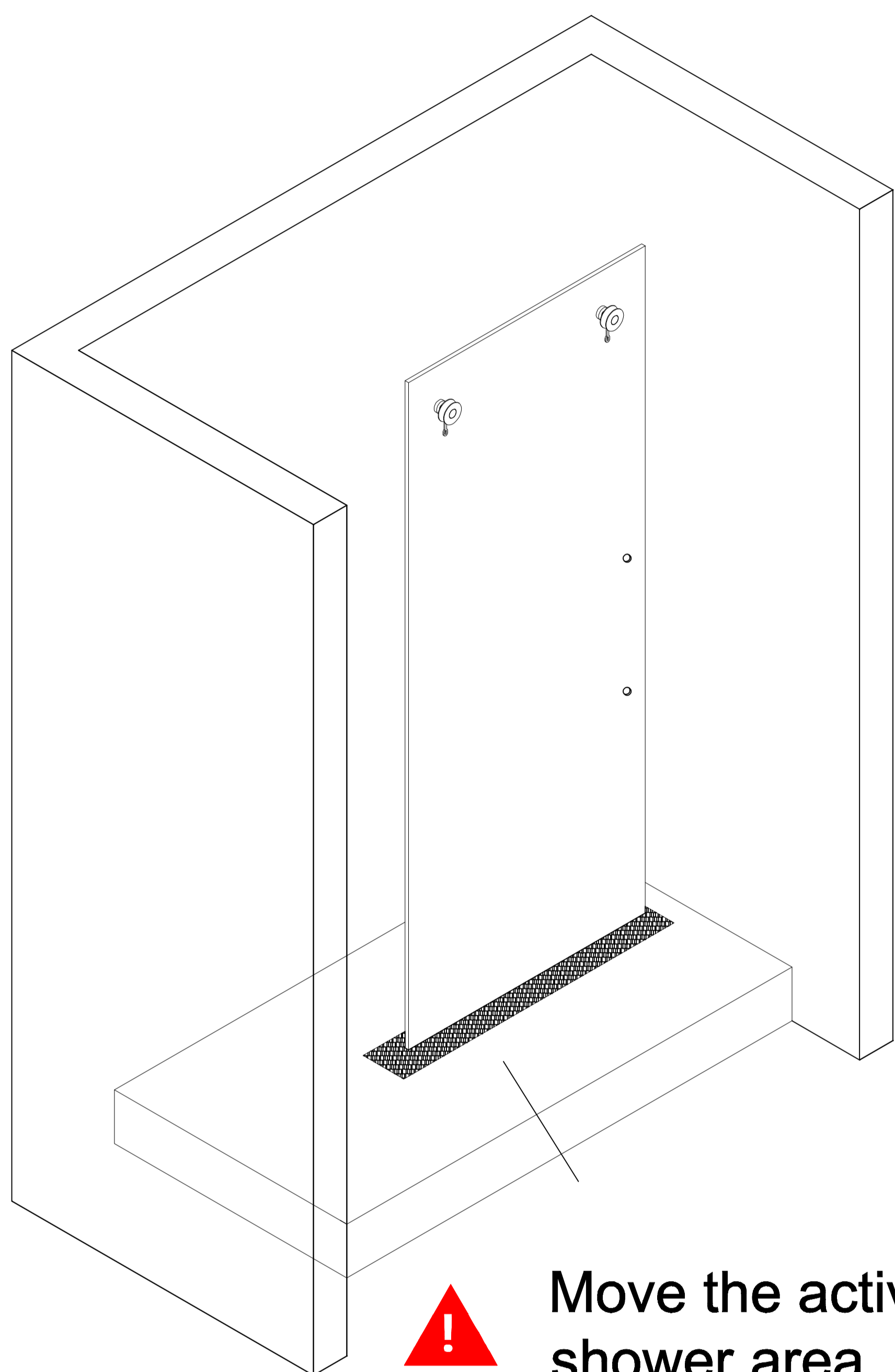


Choose the appropriate diagram below to assemble your shower door

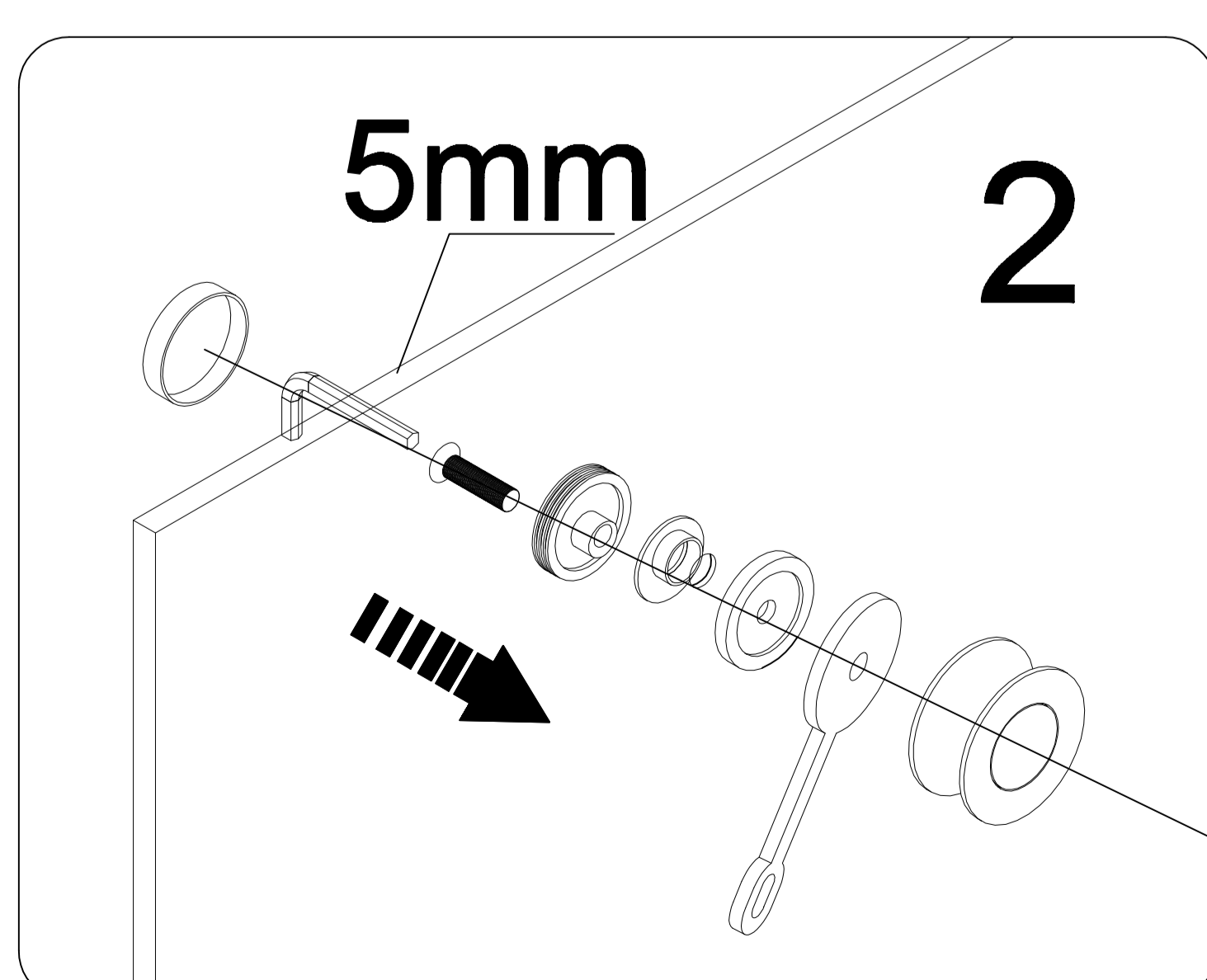
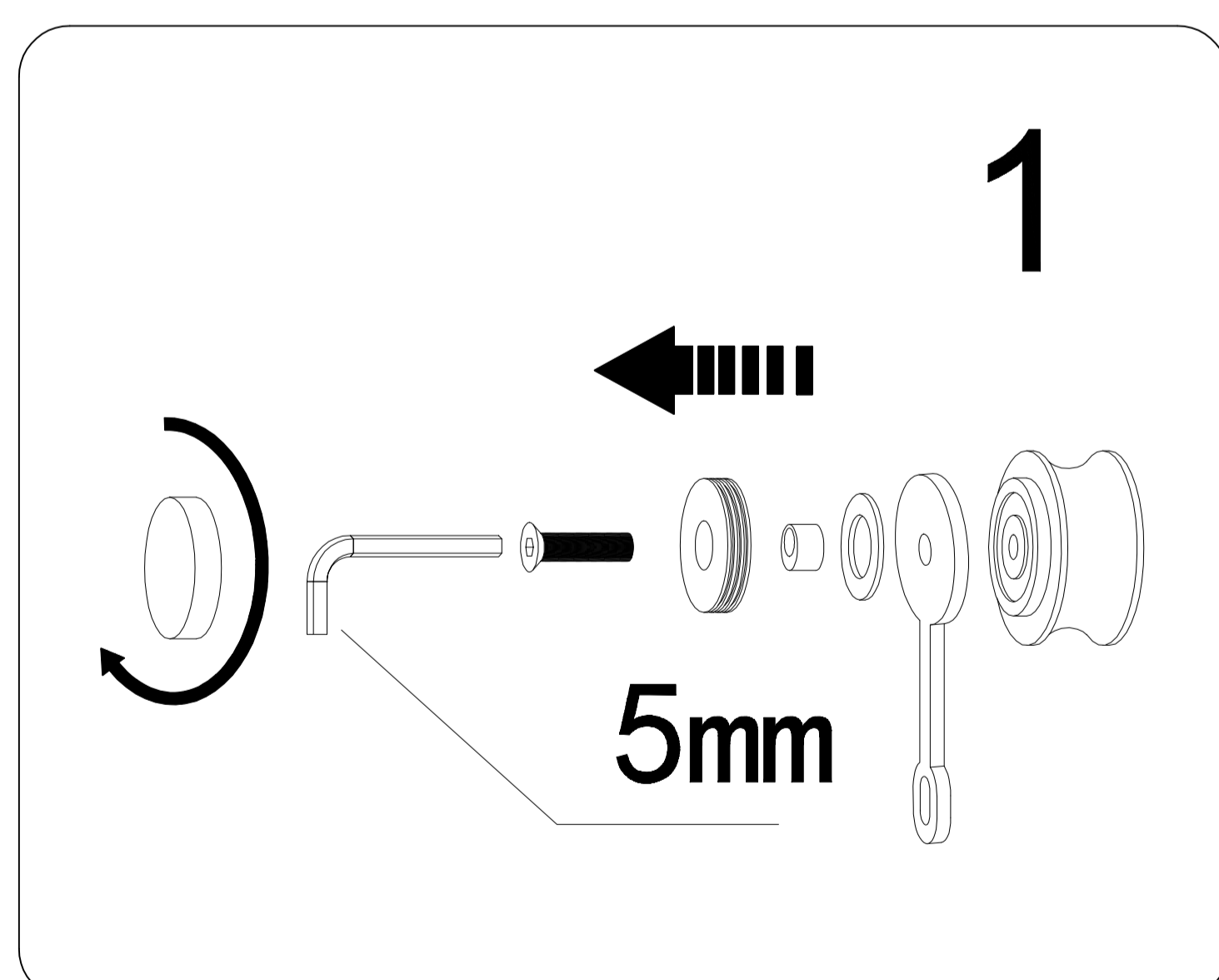
## Left Hand Assembly

### STEP 2

1. Disassemble the roller assembly ⑥ as shown, unscrew the cover and loosen the big bolt.
2. Reassemble the two pulley components onto the sliding door as shown in the picture. When finished, move the active panel to the shower area.



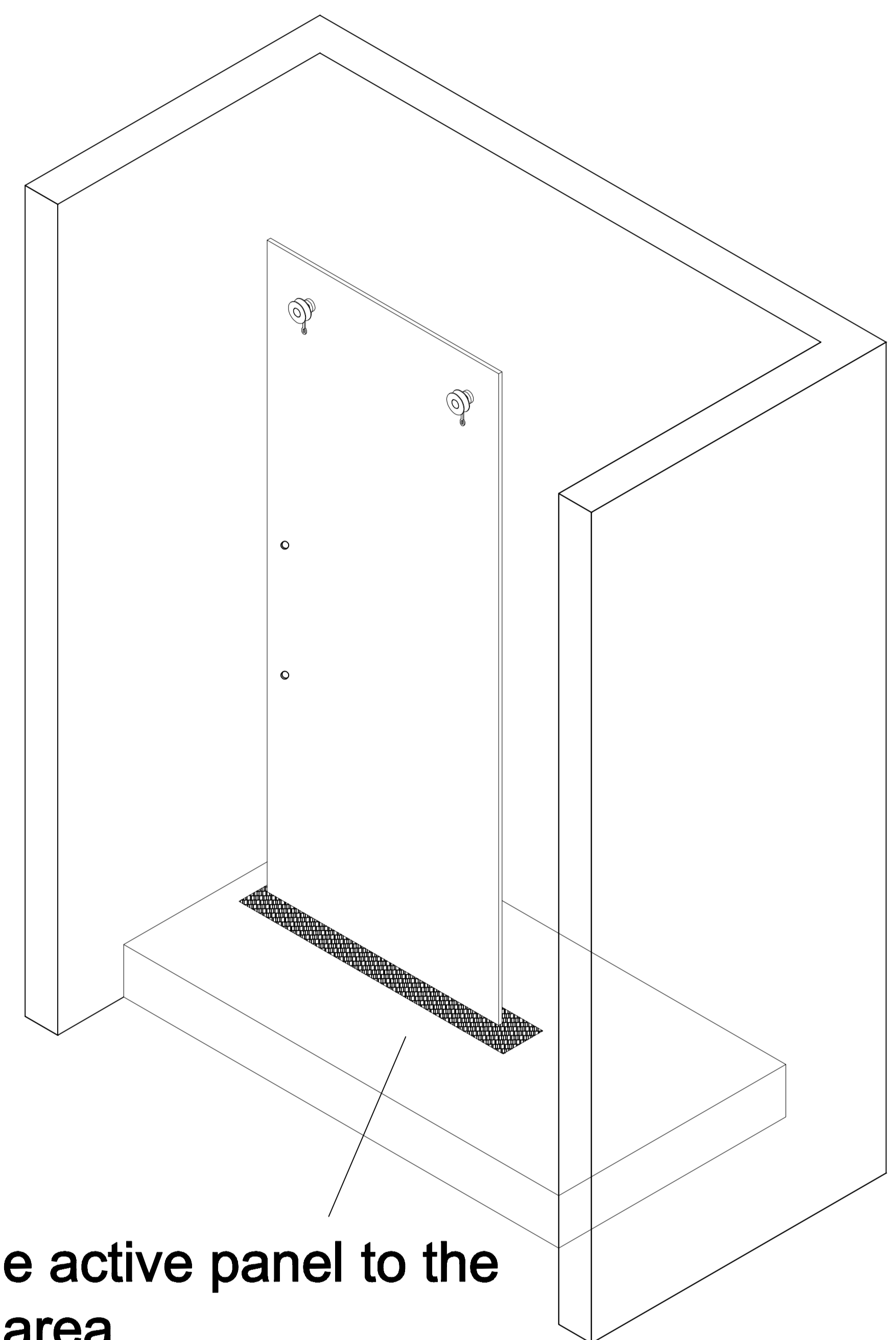
! Move the active panel to the shower area.  
Lay the glass on a soft padded surface!



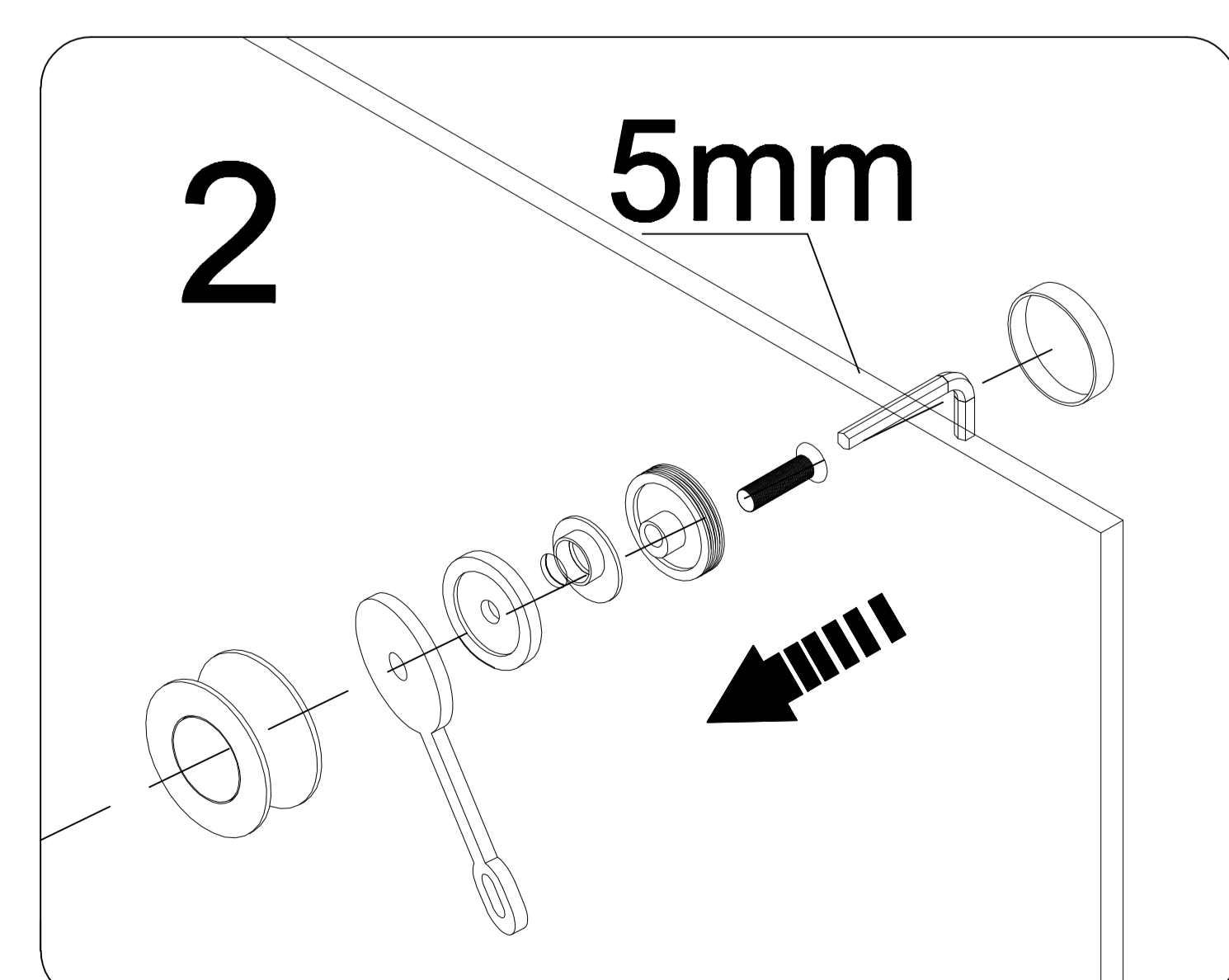
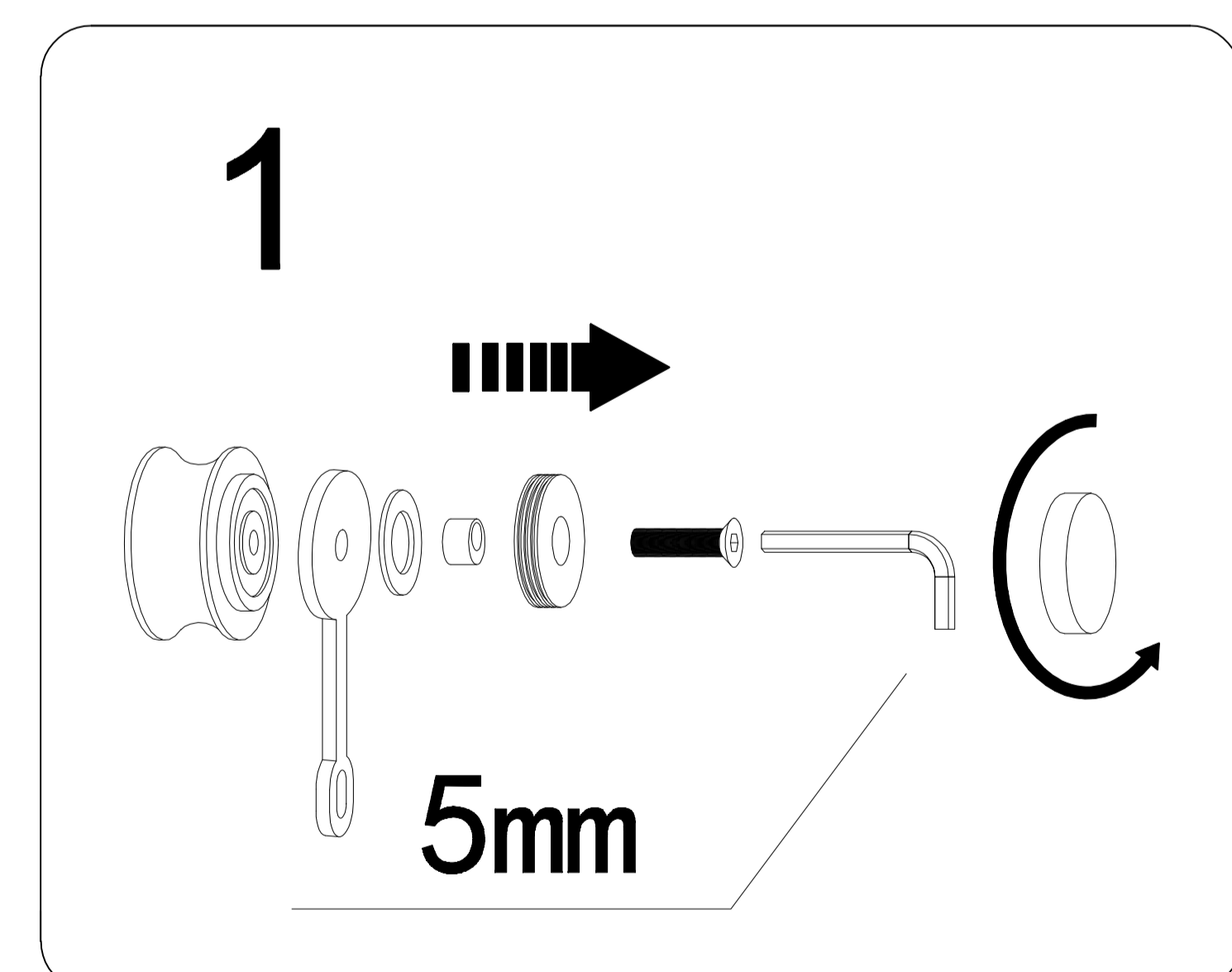
## Right Hand Assembly

### STEP 2

1. Disassemble the roller assembly ⑥ as shown, unscrew the cover and loosen the big bolt.
2. Reassemble the two pulley components onto the sliding door as shown in the picture. When finished, move the active panel to the shower area.



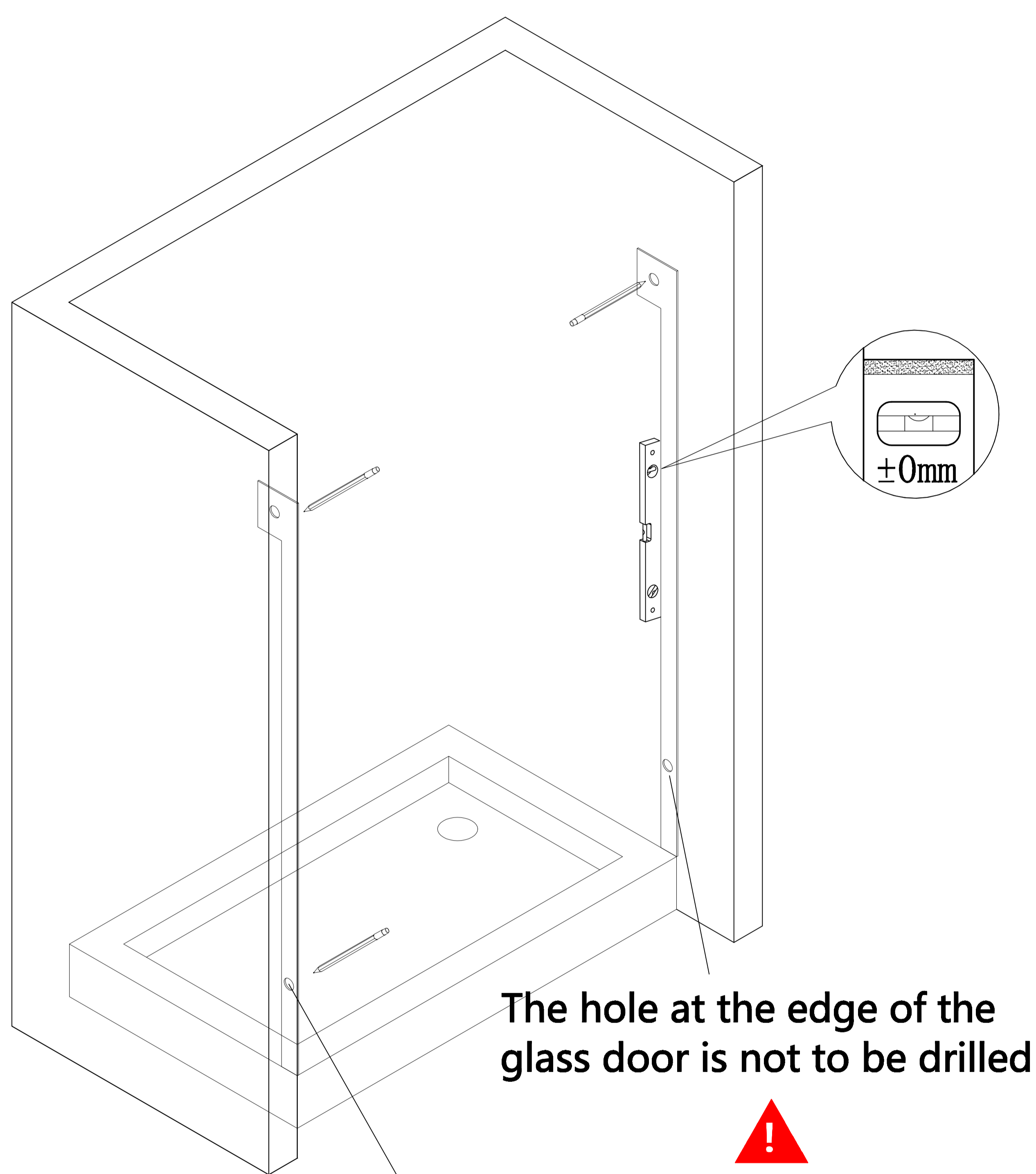
! Move the active panel to the shower area.  
Lay the glass on a soft padded surface!



Choose the appropriate diagram below to assemble your shower door

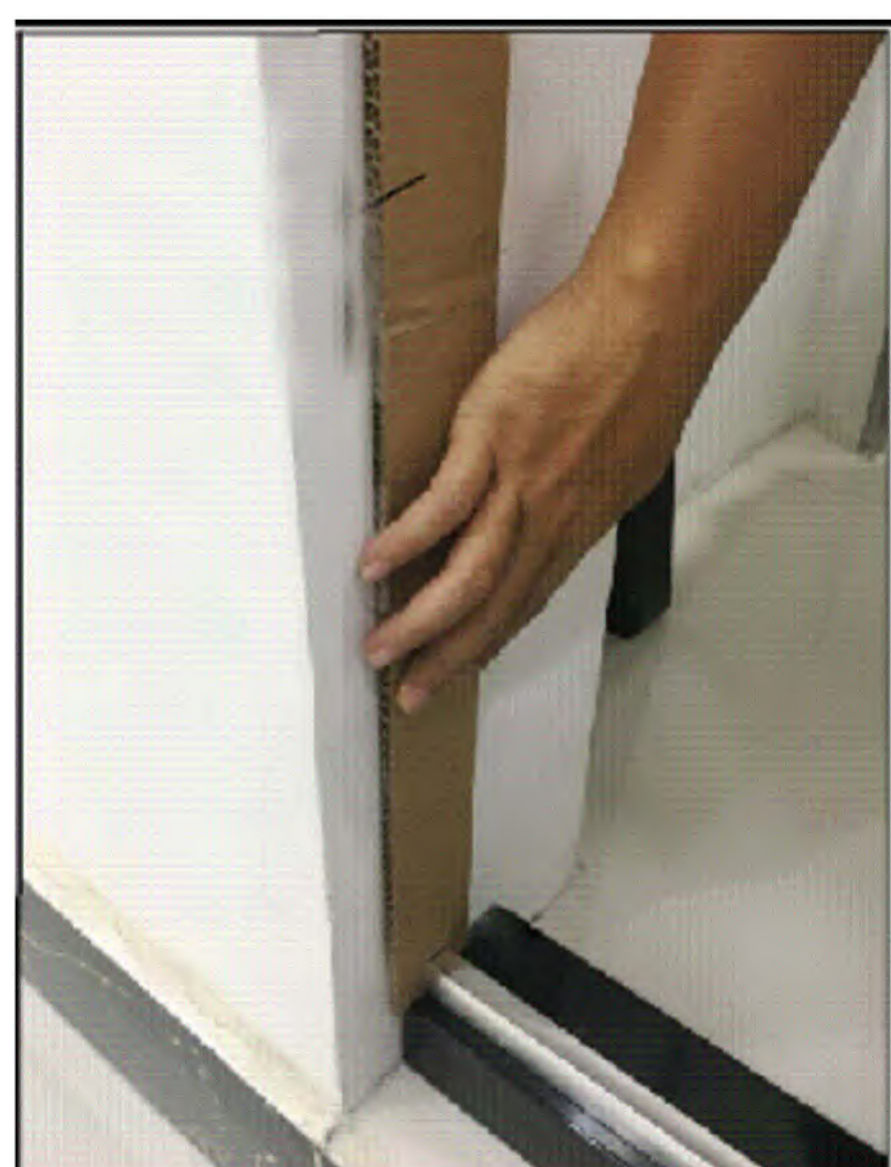
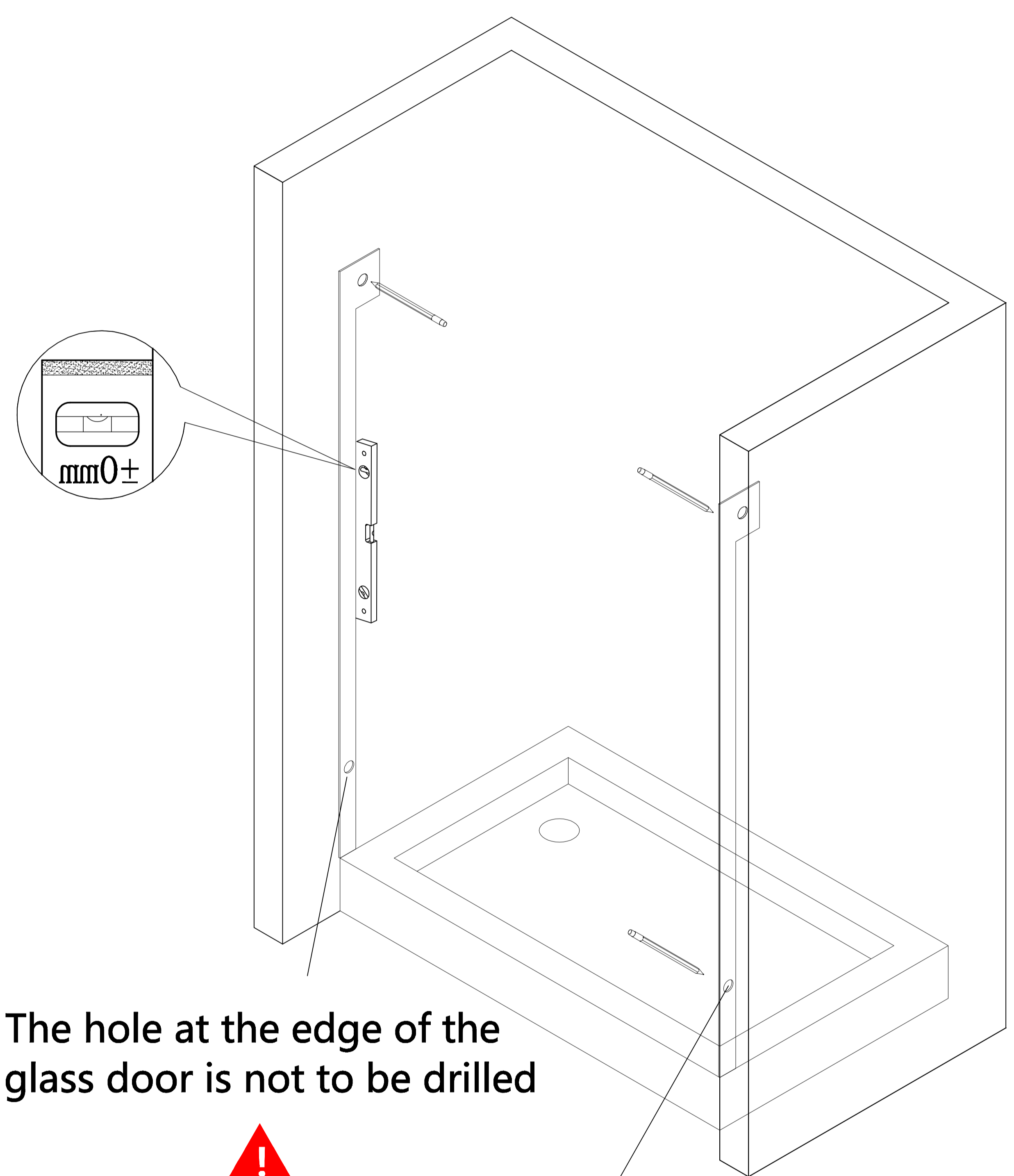
## Left Hand Assembly STEP 3-1

1. Lean the template 22 on the wall.
2. Make sure to level the template.
3. Use pencil to mark the hole on the template.



## Right Hand Assembly STEP 3-1

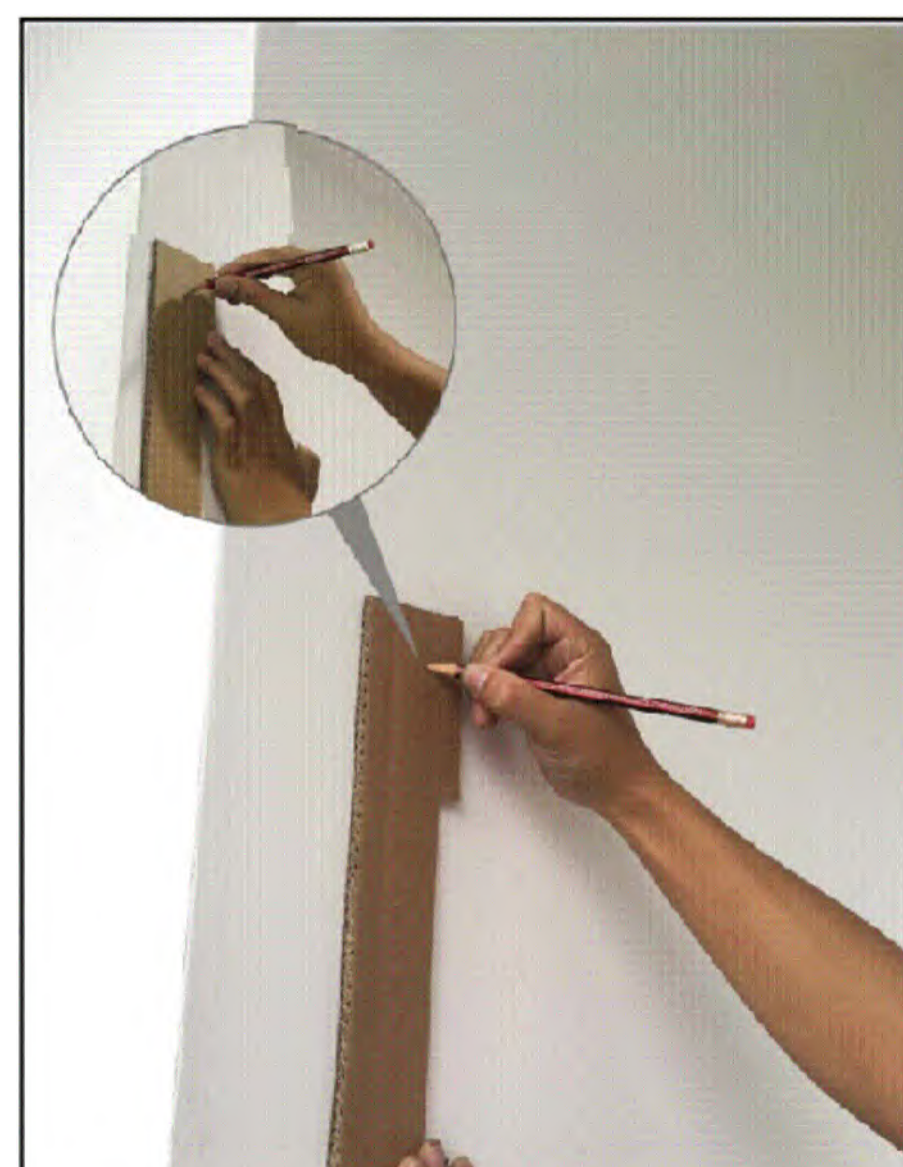
1. Lean the template 22 on the wall.
2. Make sure to level the template.
3. Use pencil to mark the hole on the template.



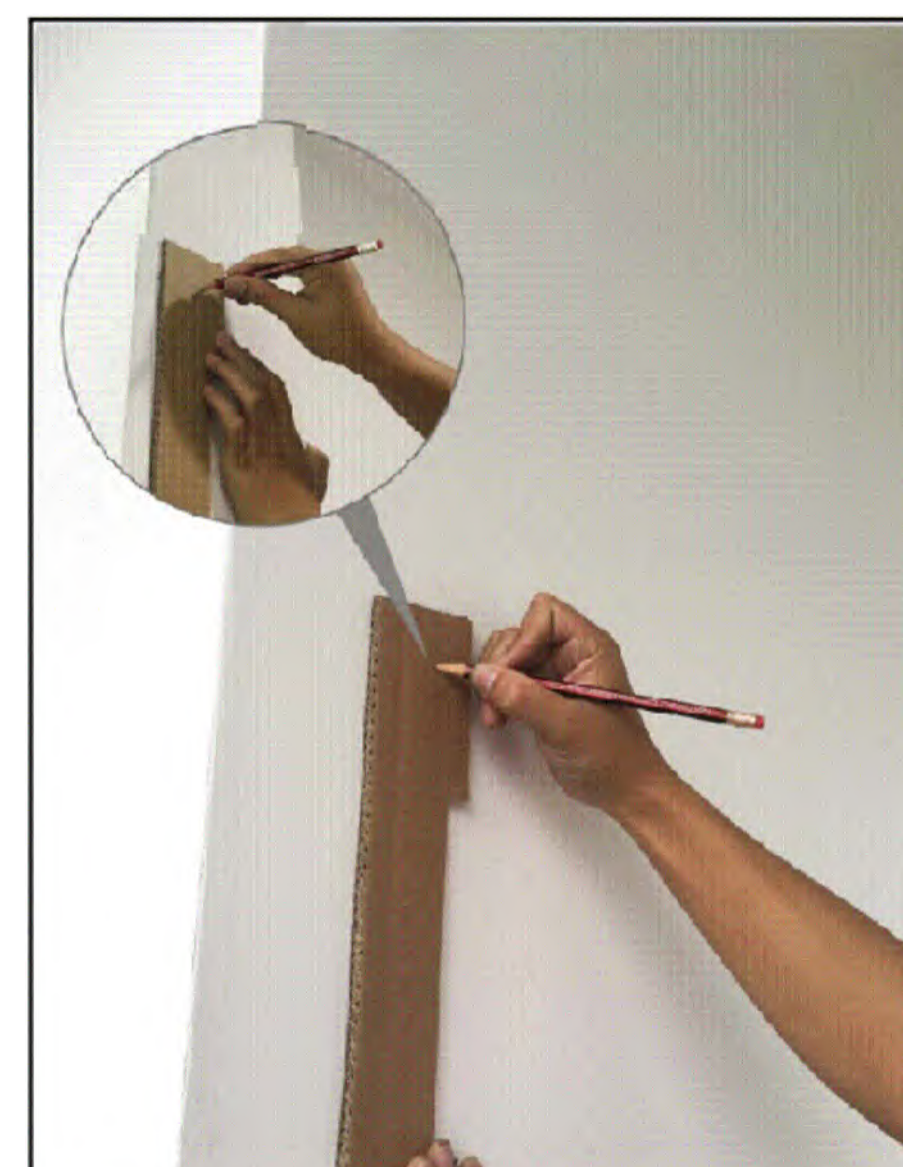
Insert template to bottom door guide.



Level the template.



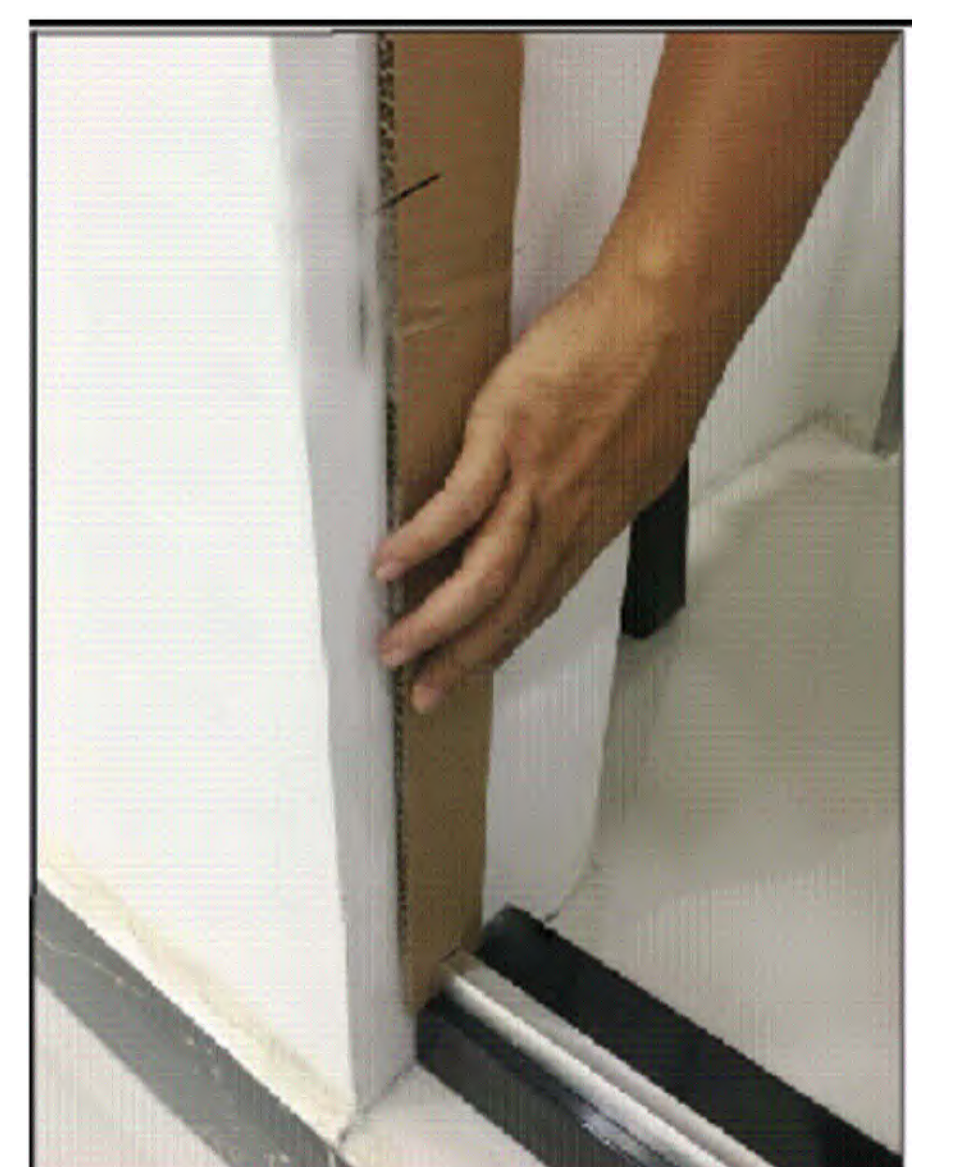
Use pencil to mark the hole.



Use pencil to mark the hole.



Level the template.



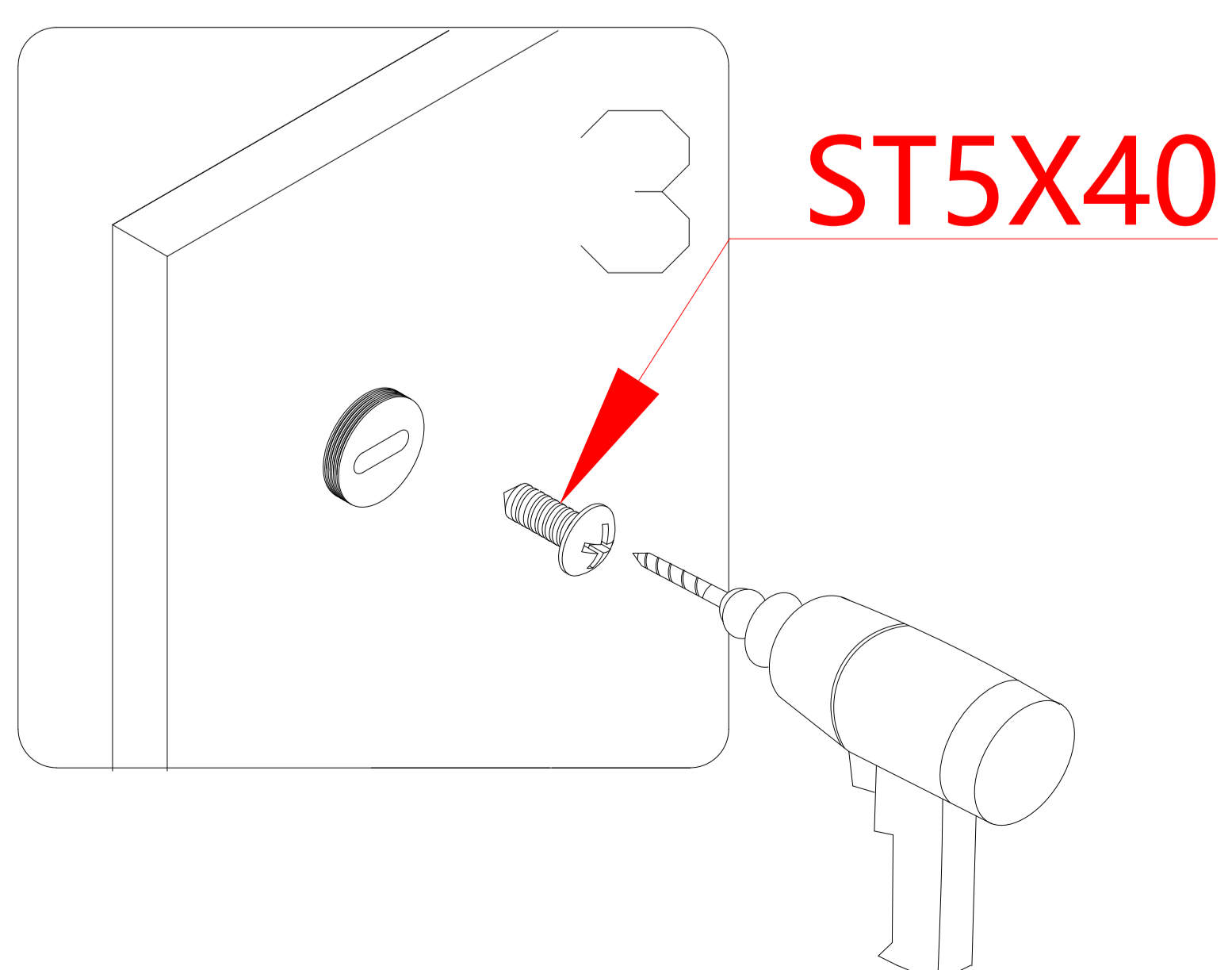
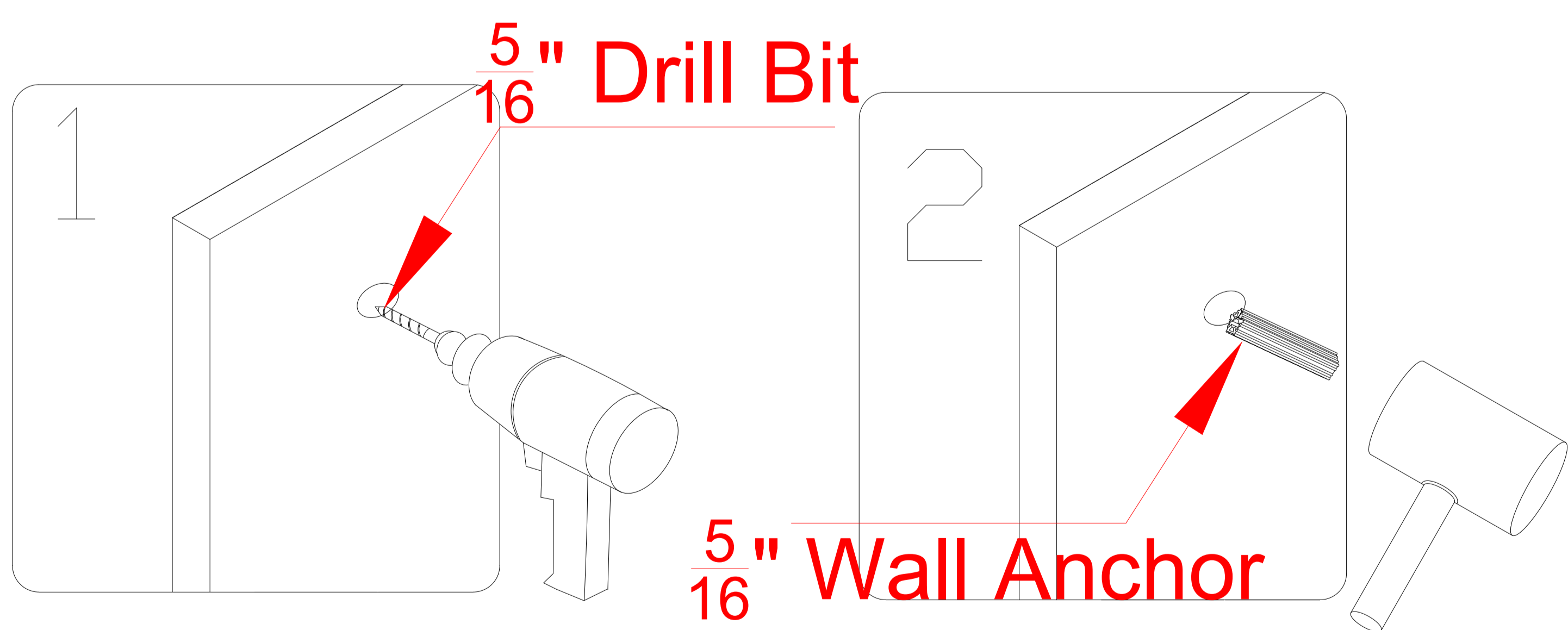
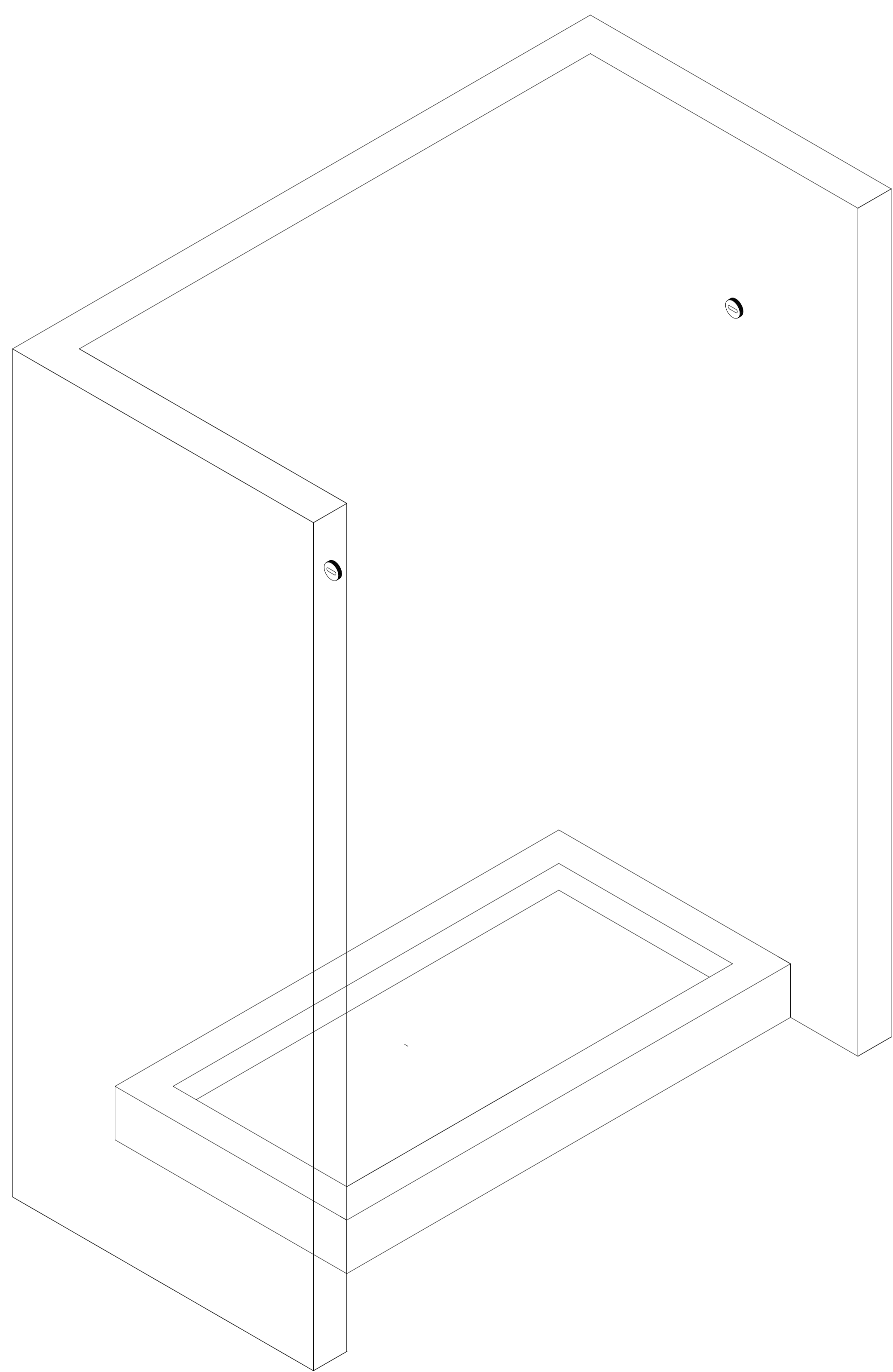
Insert template to bottom door guide.

Choose the appropriate diagram below to assemble your shower door

## Left Hand Assembly

### STEP 3-2

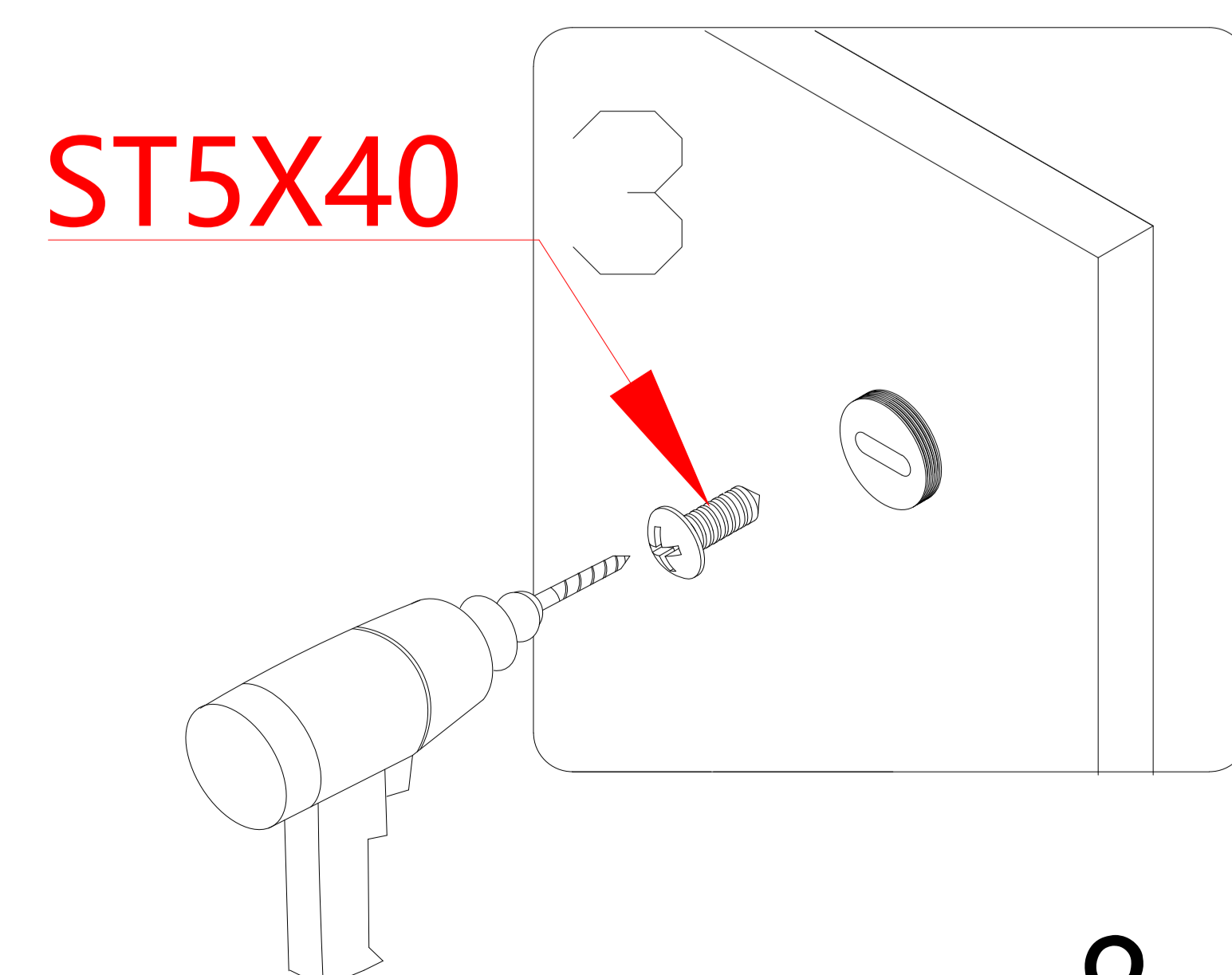
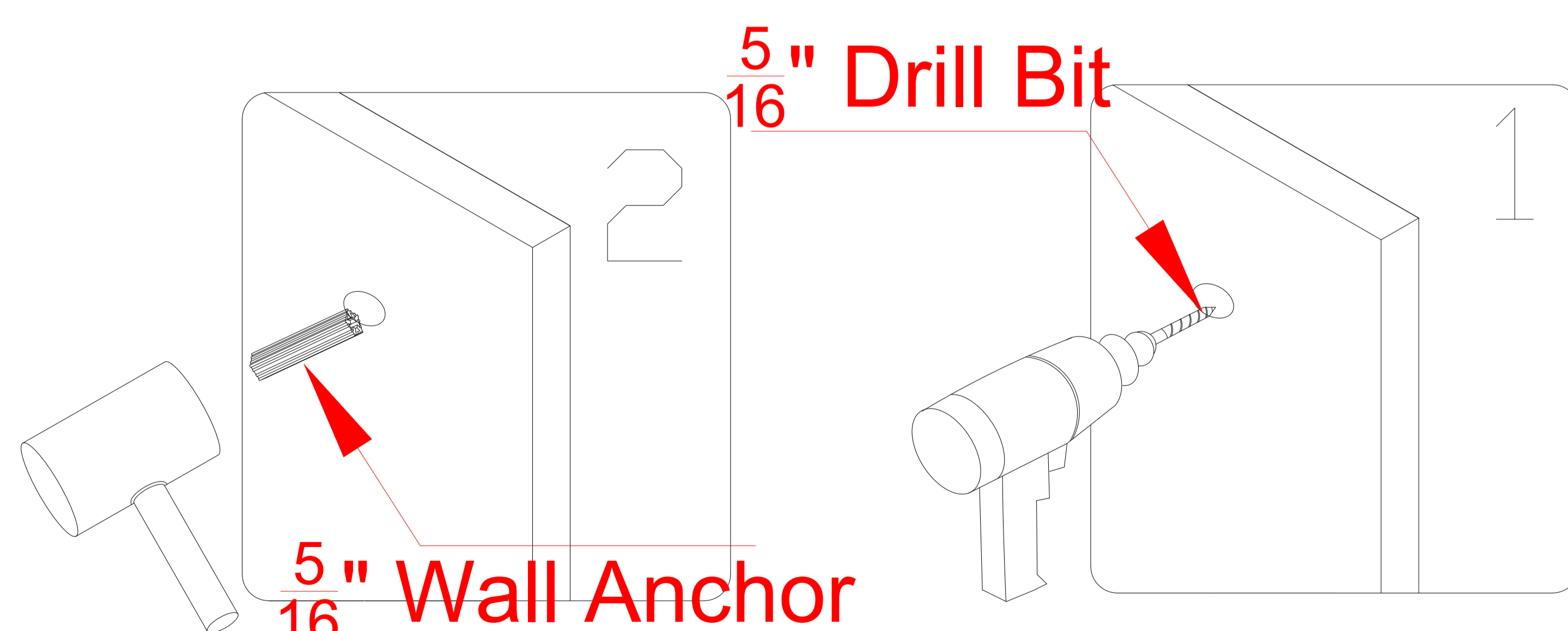
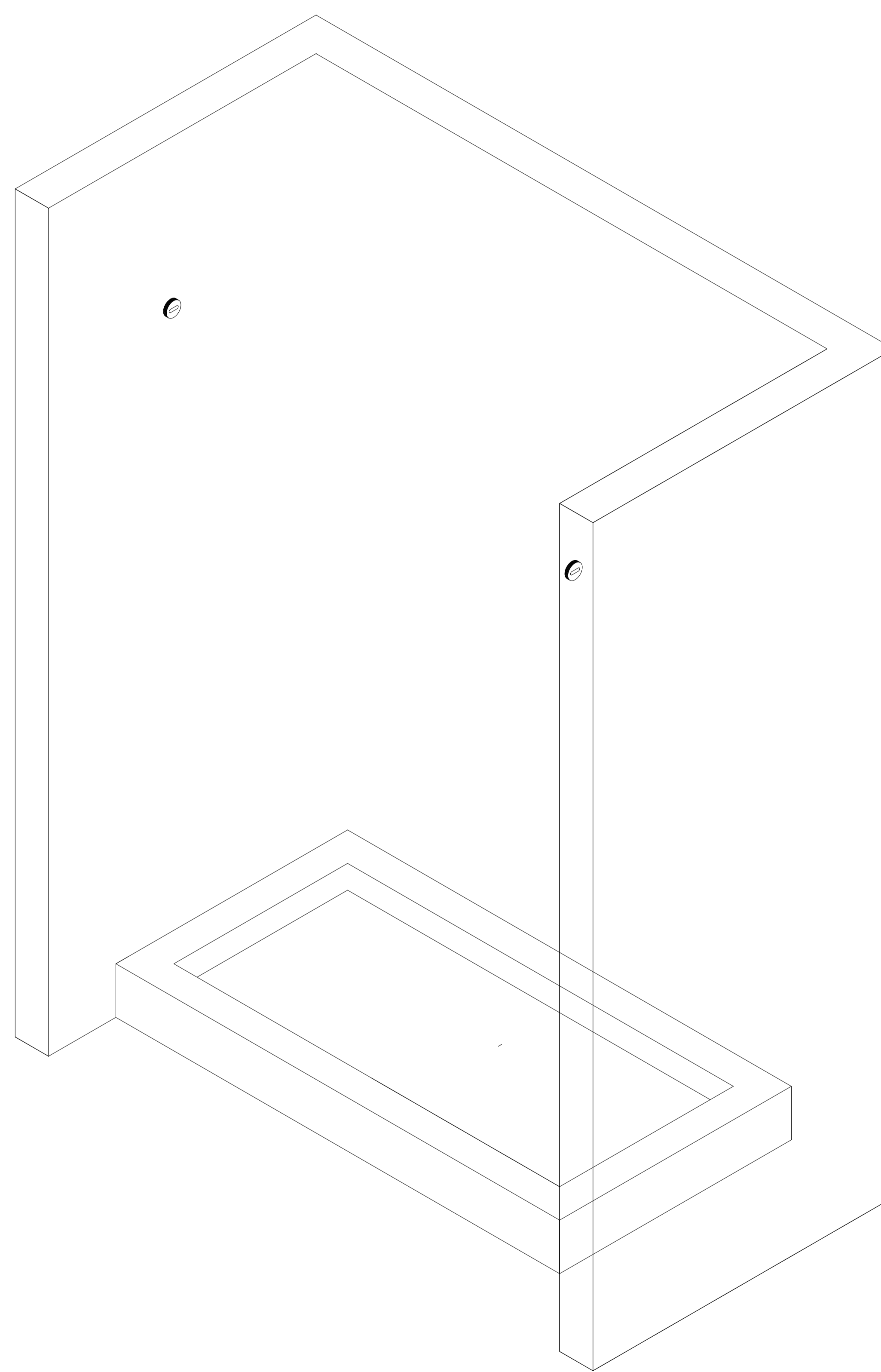
1. Drill a hole on the wall.
2. Hammer the Anchor into the hole.
3. Secure Wall Connector (3) onto the wall.



## Right Hand Assembly

### STEP 3-2

1. Drill a hole on the wall.
2. Hammer the Anchor into the hole.
3. Secure Wall Connector (3) onto the wall.

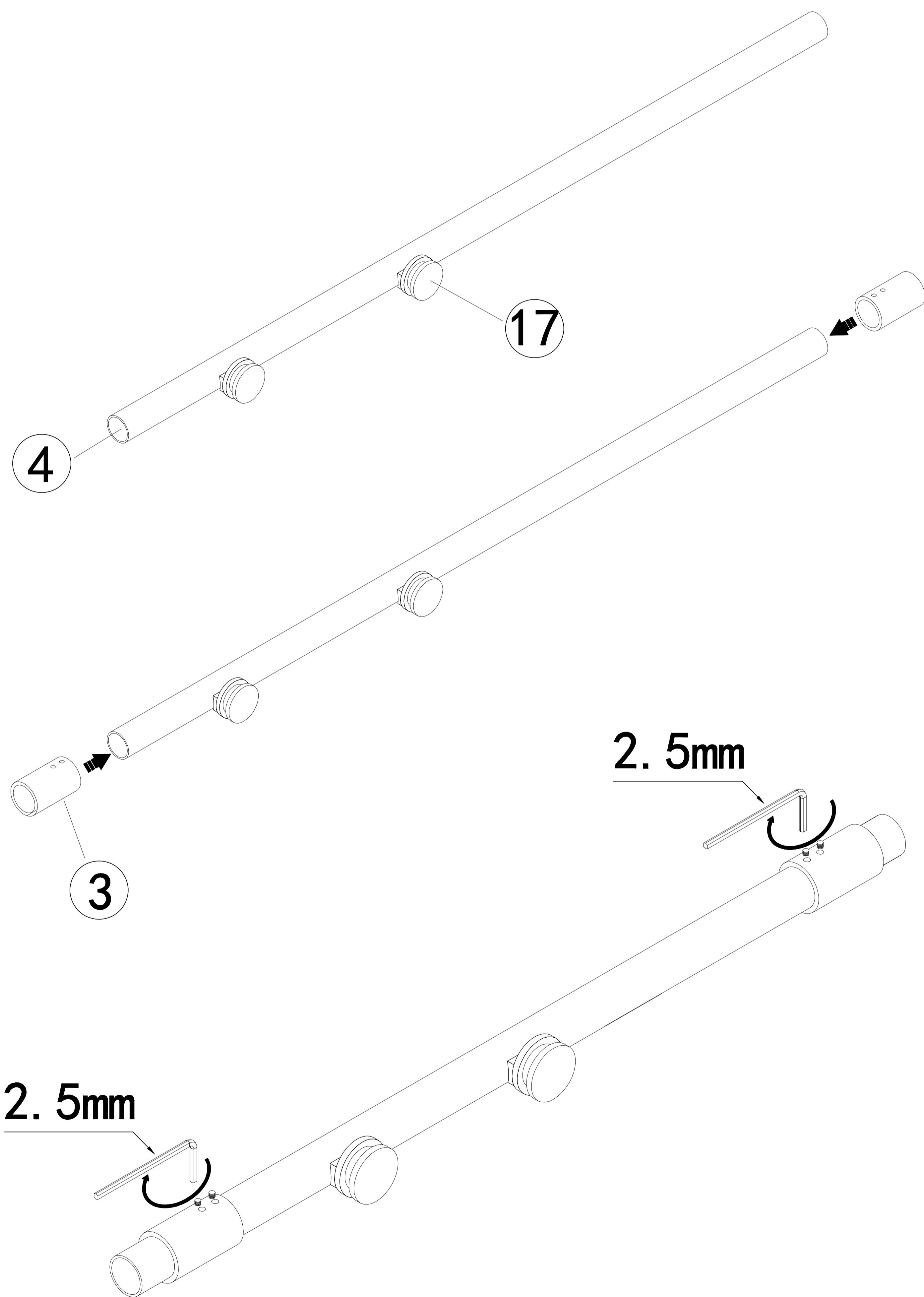


Choose the appropriate diagram below to assemble your shower door

### Left Hand Assembly

#### STEP 4-1

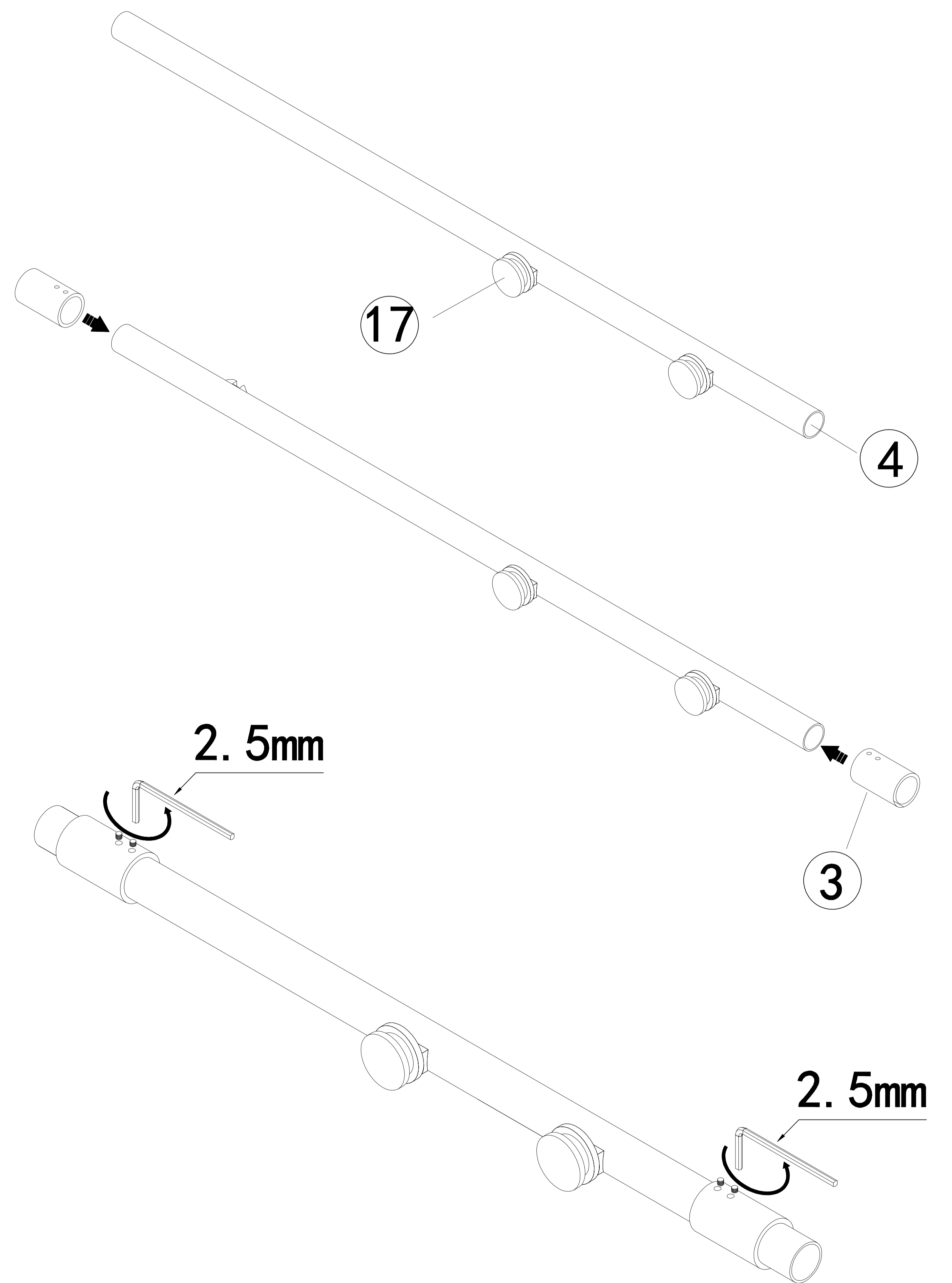
1. Insert the Rail Wall Connector (3) into the two sides of pull rod.
2. Utilize the 2.5mm Allen wrench to tighten the screw inside.



### Right Hand Assembly

#### STEP 4-1

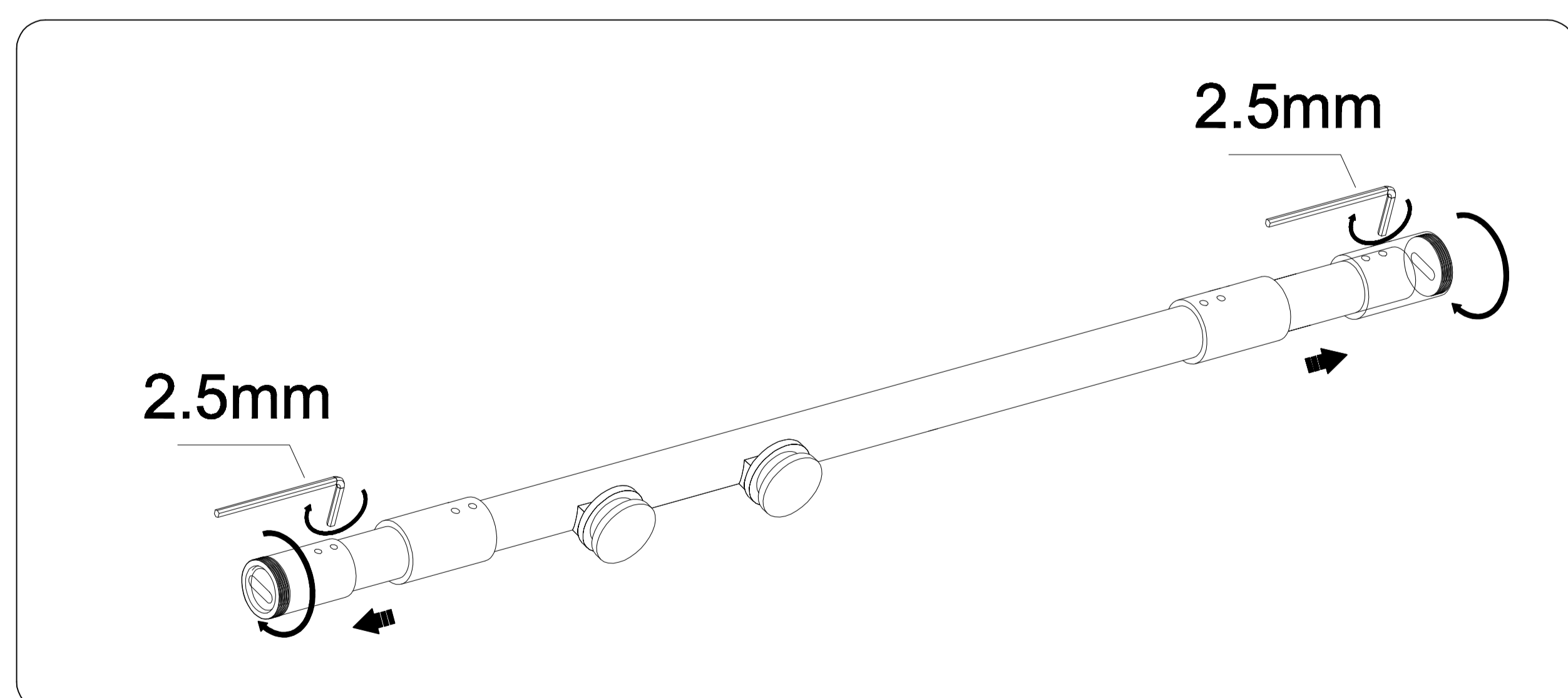
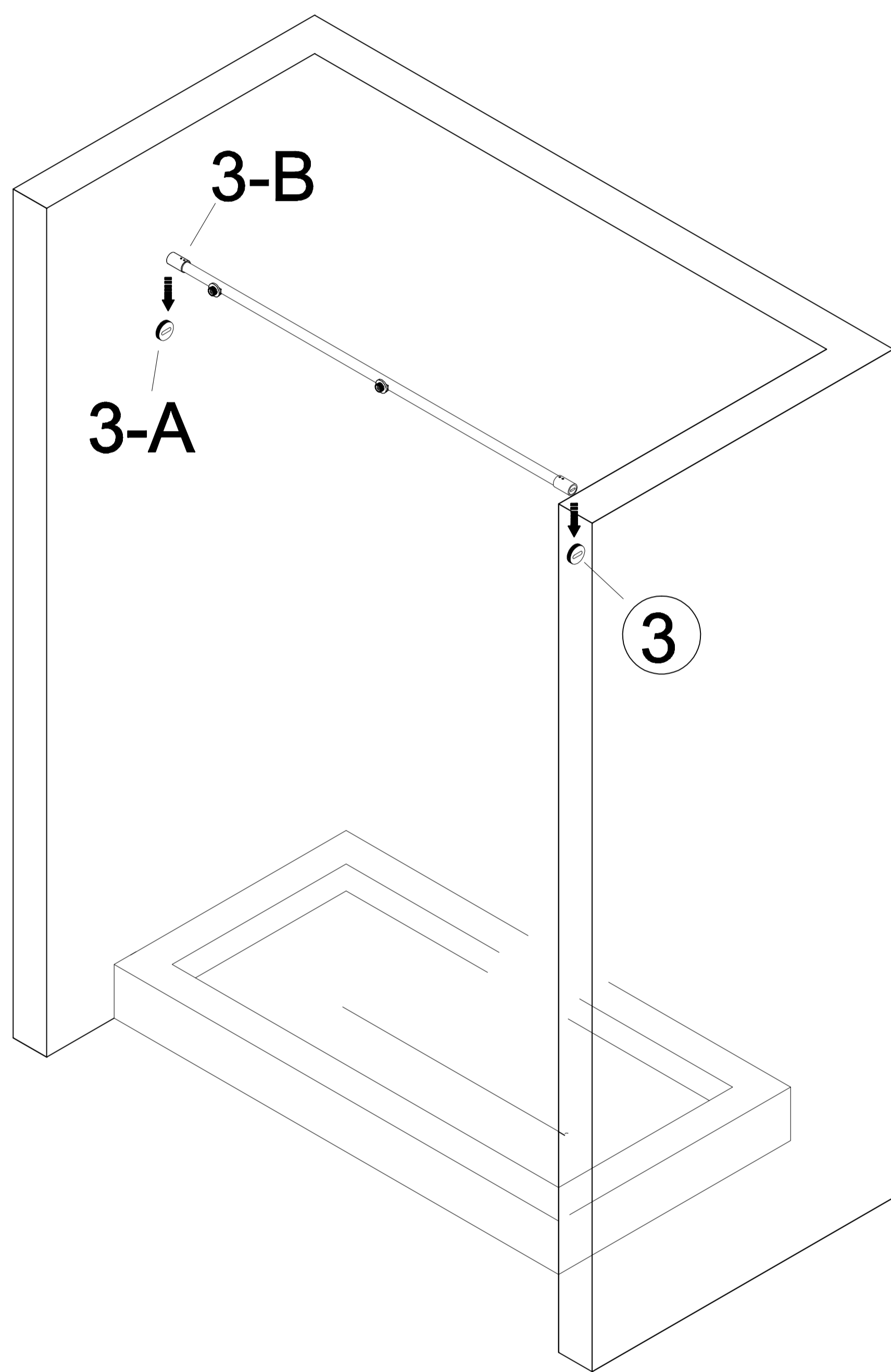
1. Insert the Rail Wall Connector (3) into the two sides of pull rod.
2. Utilize the 2.5mm Allen wrench to tighten the screw inside.



Choose the appropriate diagram below to assemble your shower door

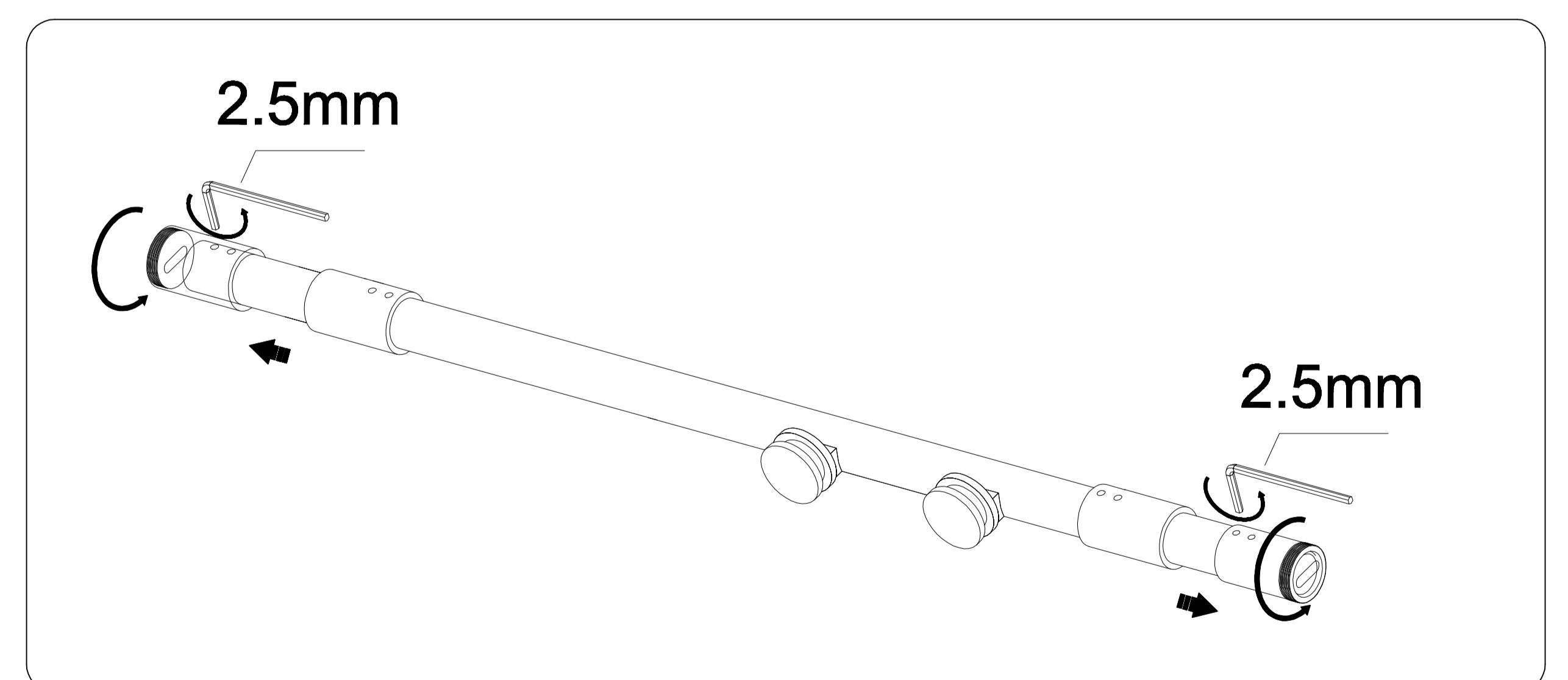
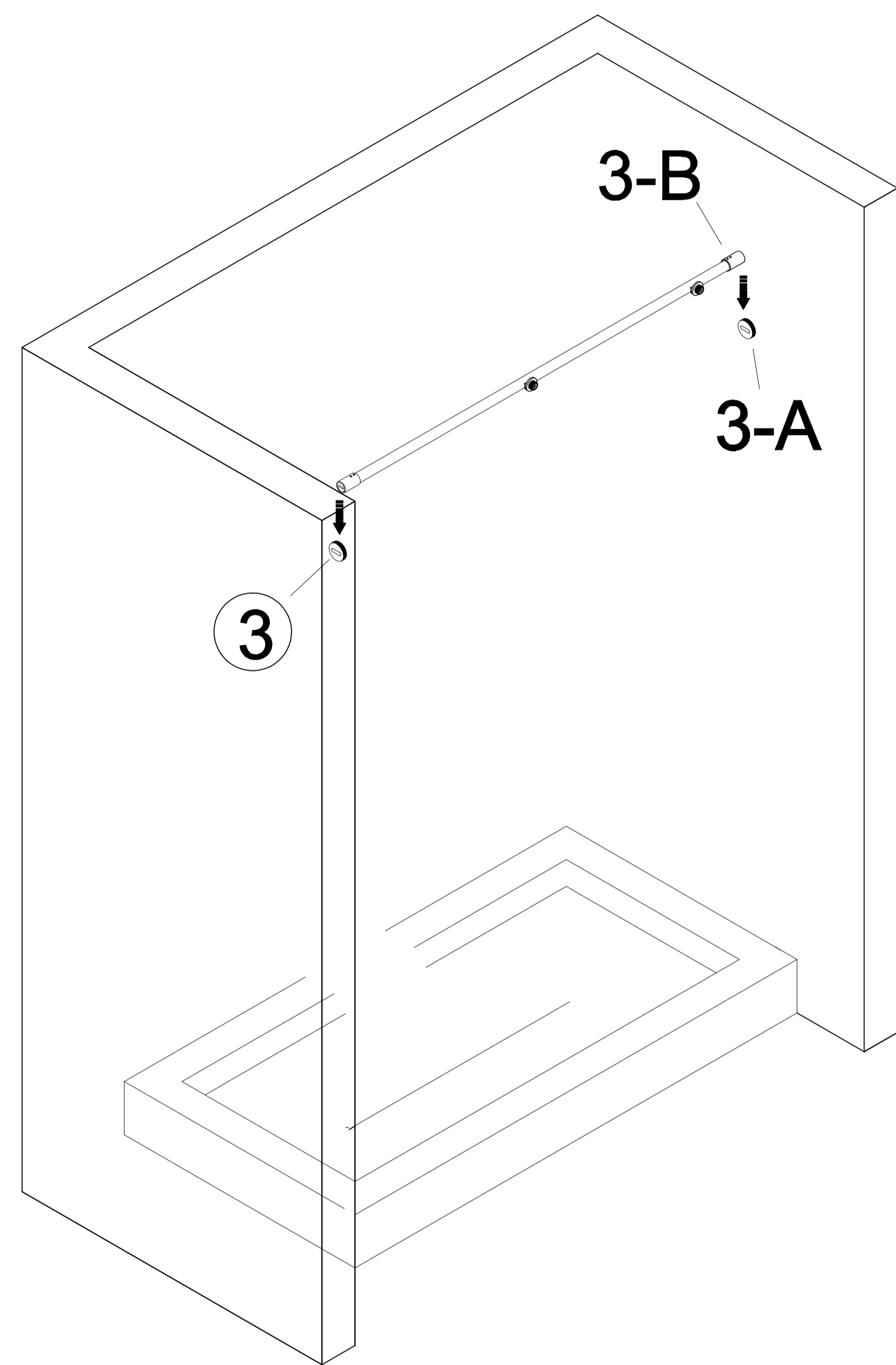
## Left Hand Assembly STEP 4-2

- 1.Screwing the rod and Wall Connector(3-B)in the Wall Connector(3-A).
- 2.Tightening by 2.5mm Allen Wrench.



## Right Hand Assembly STEP 4-2

- 1.Screwing the rod and Wall Connector(3-B)in the Wall Connector(3-A).
- 2.Tightening by 2.5mm Allen Wrench.



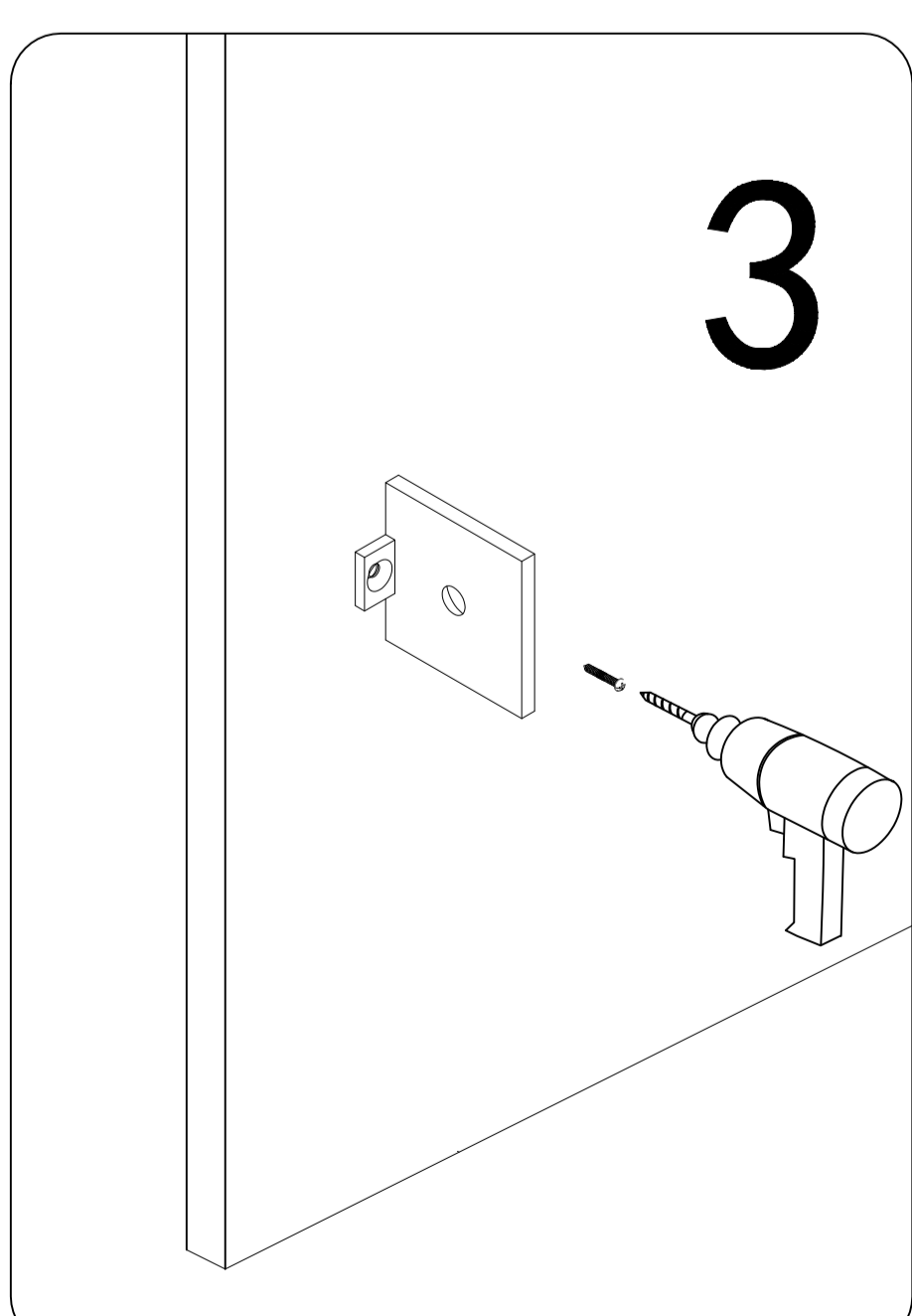
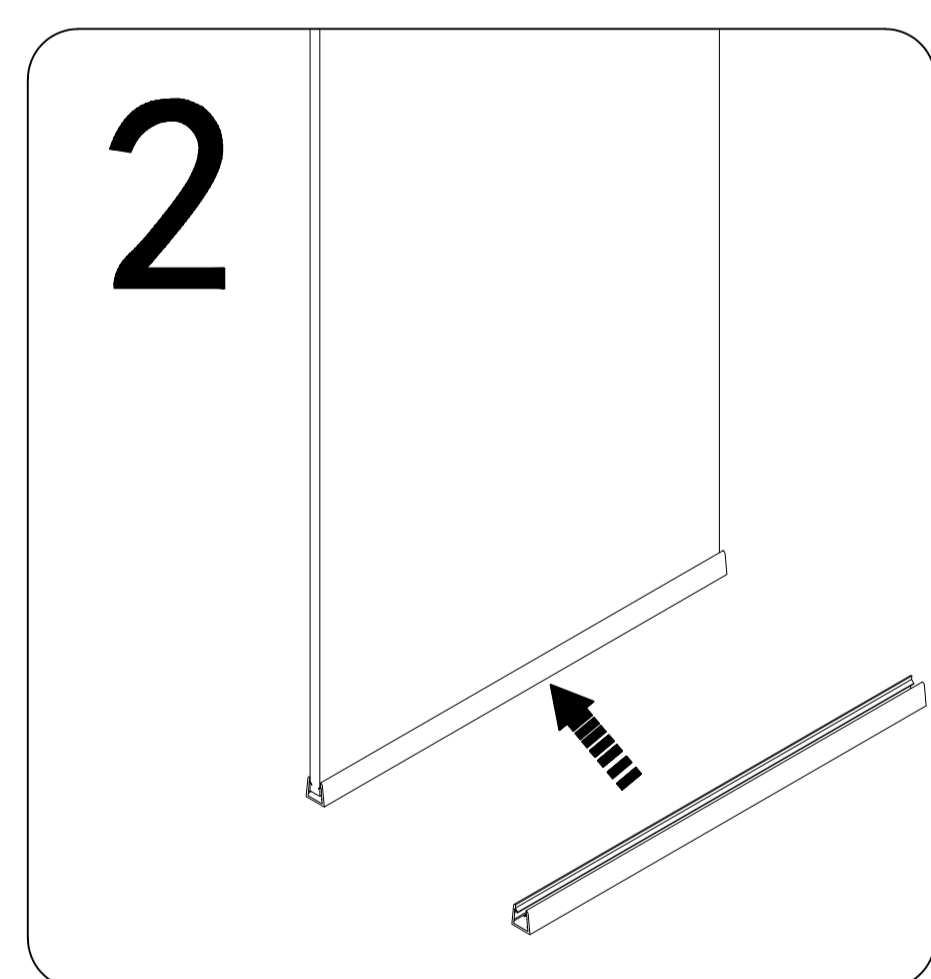
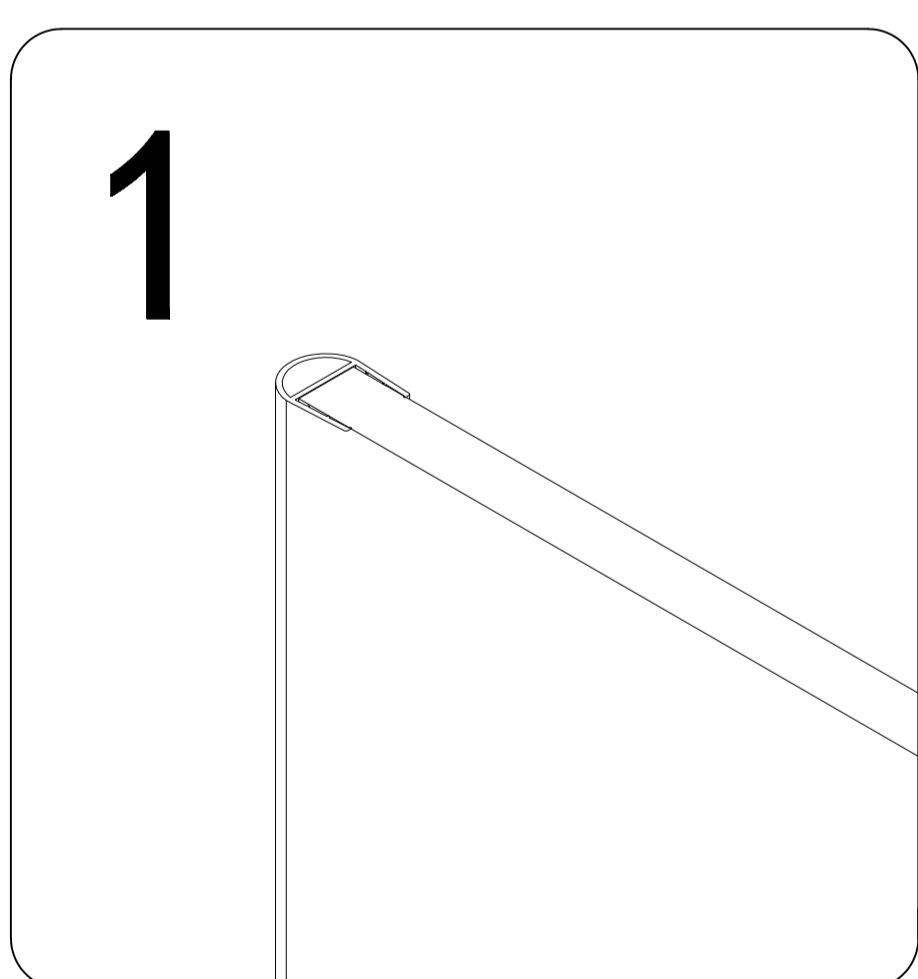
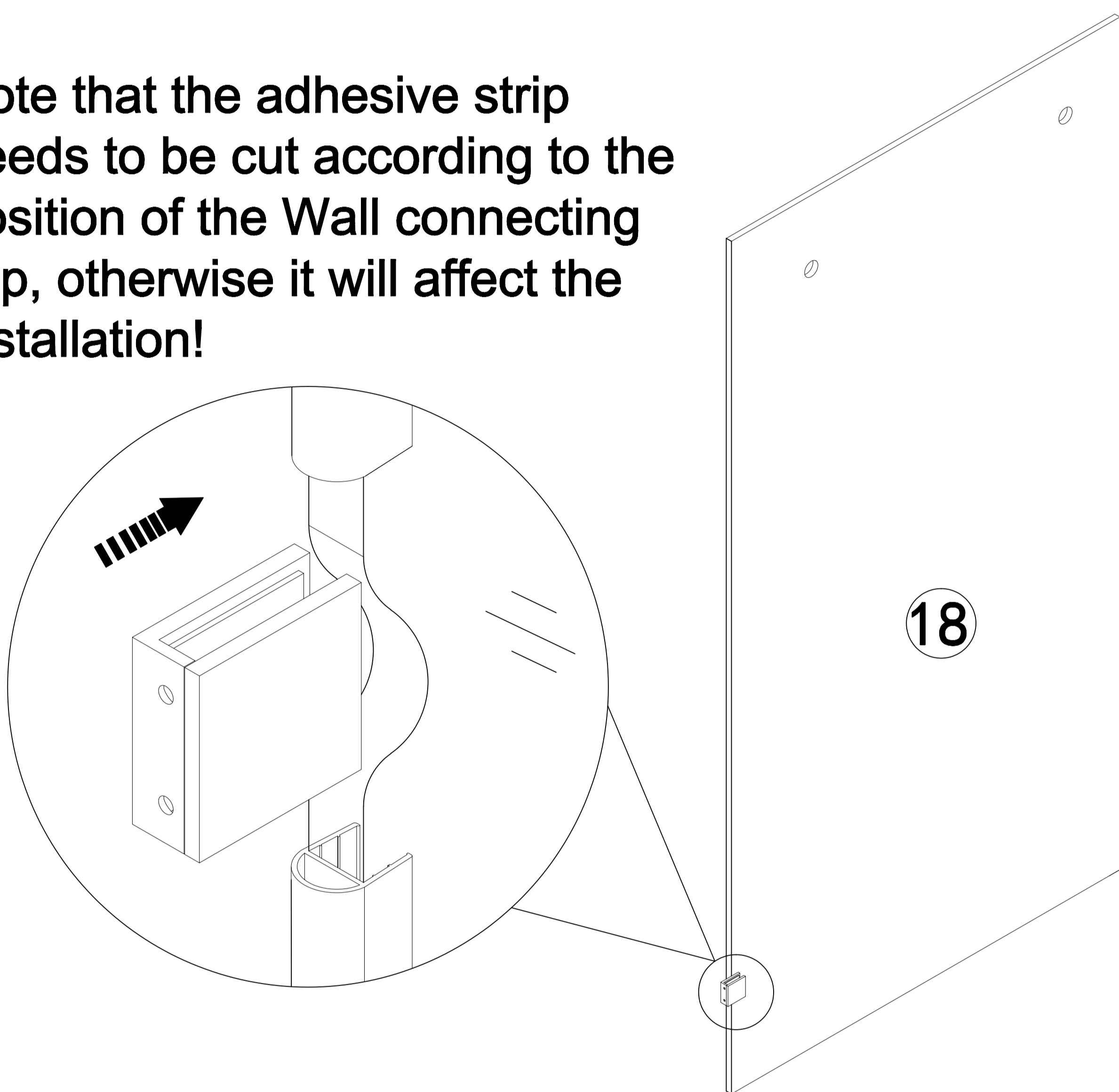
Choose the appropriate diagram below to assemble your shower door

## Left Hand Assembly

### STEP 5

1. Install waterproof strips **23** on fixed glass near the wall.
2. Install waterproof strips **19** on the bottom of fixed glass.
3. Install wall connecting clip **24** on the wall.

Note that the adhesive strip needs to be cut according to the position of the Wall connecting clip, otherwise it will affect the installation!

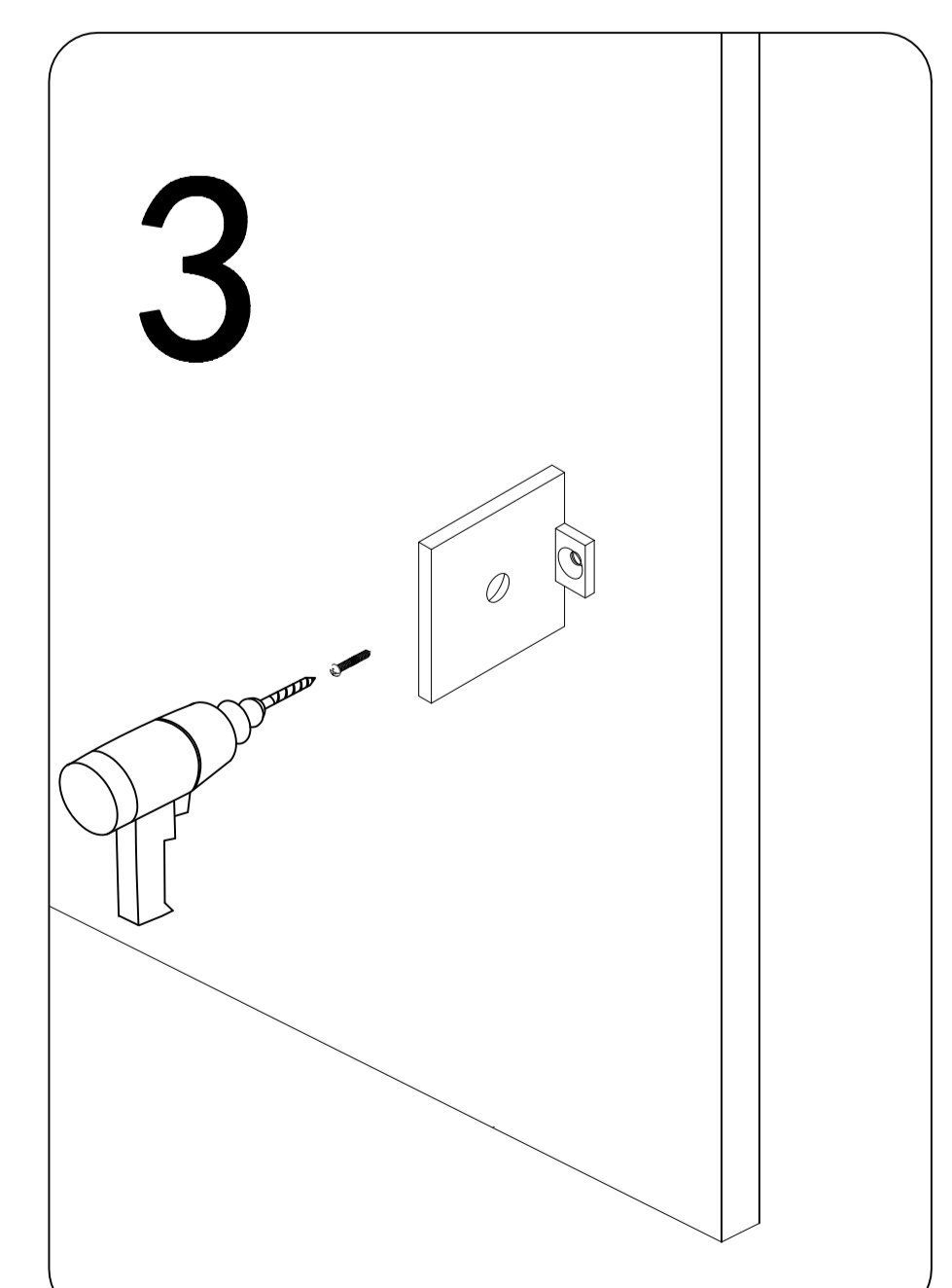
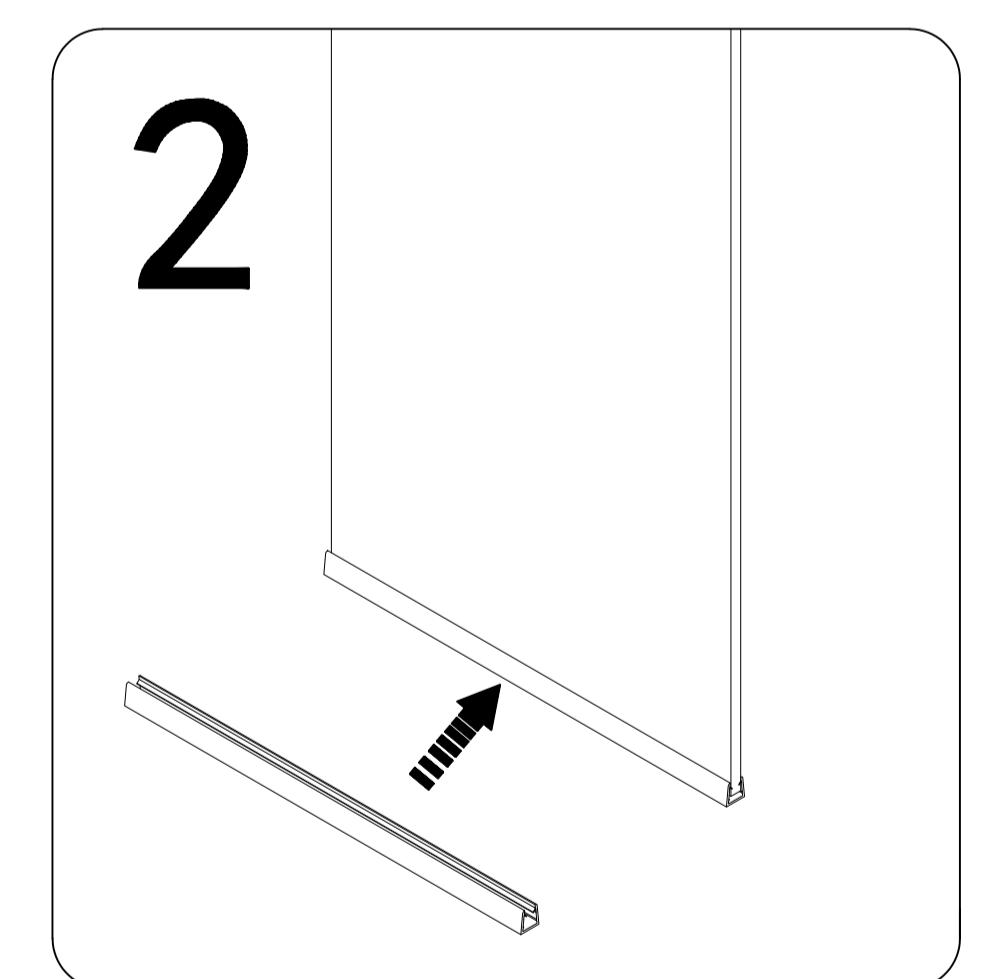
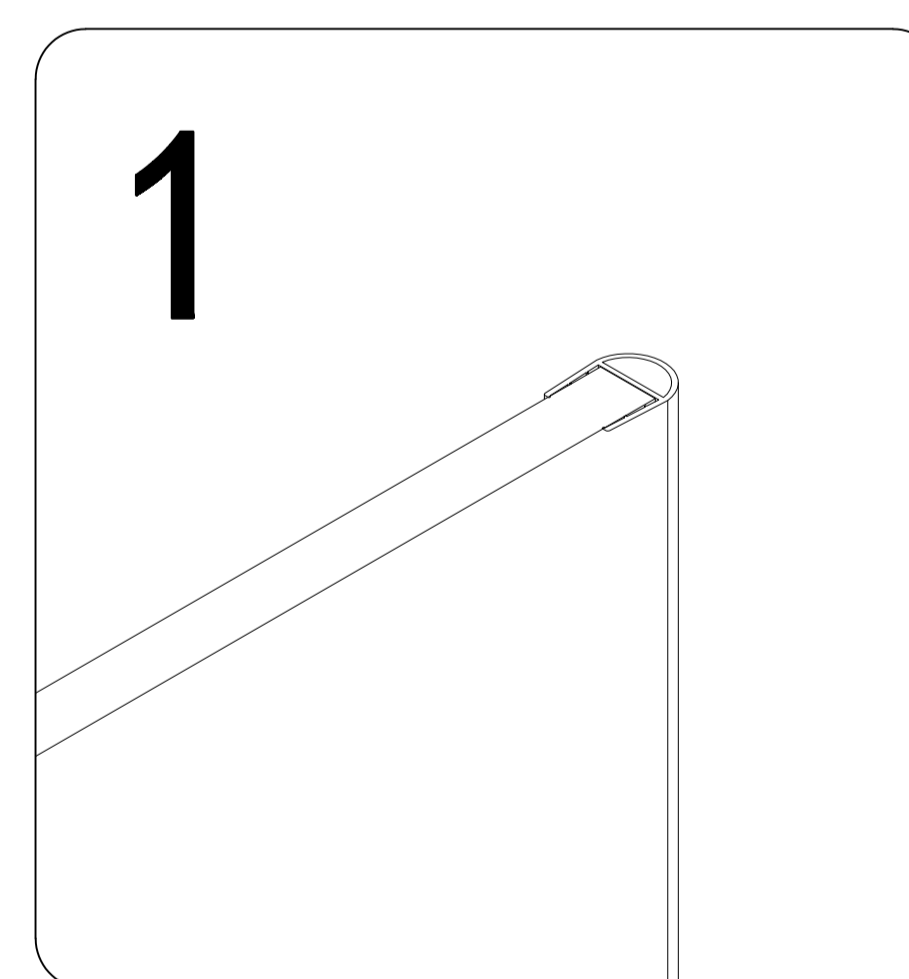
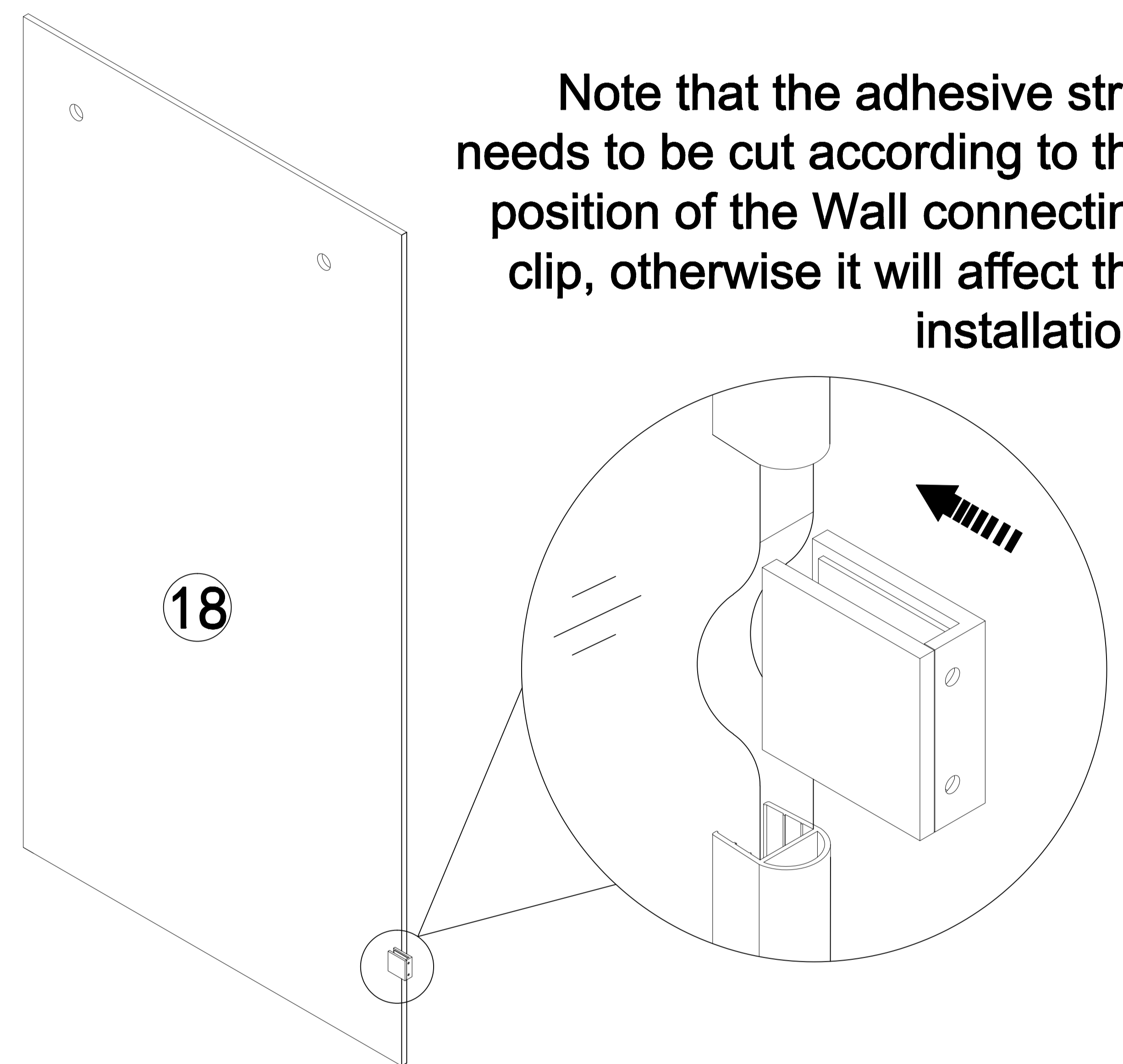


## Right Hand Assembly

### STEP 5

1. Install waterproof strips **23** on fixed glass near the wall.
2. Install waterproof strips **19** on the bottom of fixed glass.
3. Install wall connecting clip **24** on the wall.

Note that the adhesive strip needs to be cut according to the position of the Wall connecting clip, otherwise it will affect the installation!

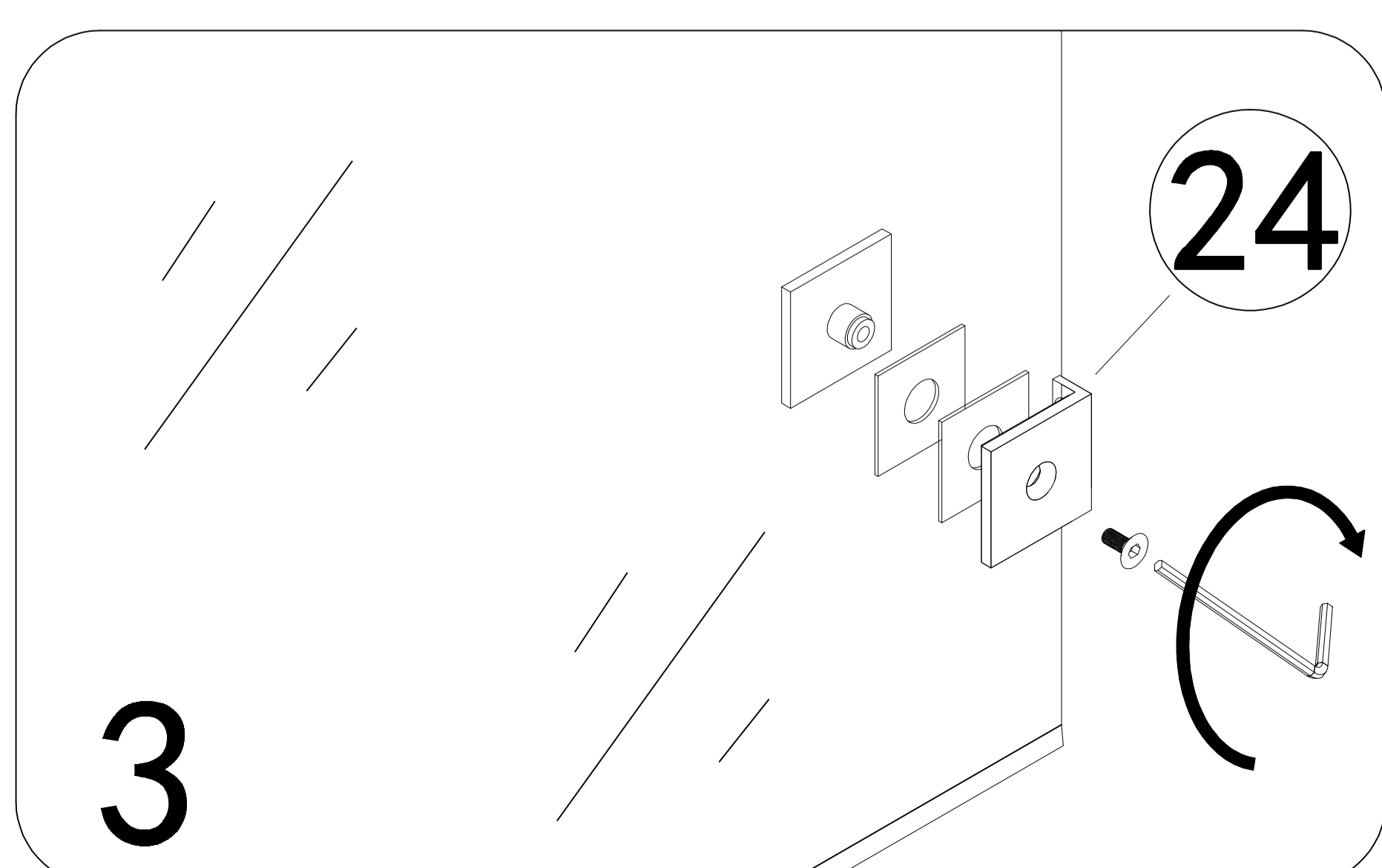
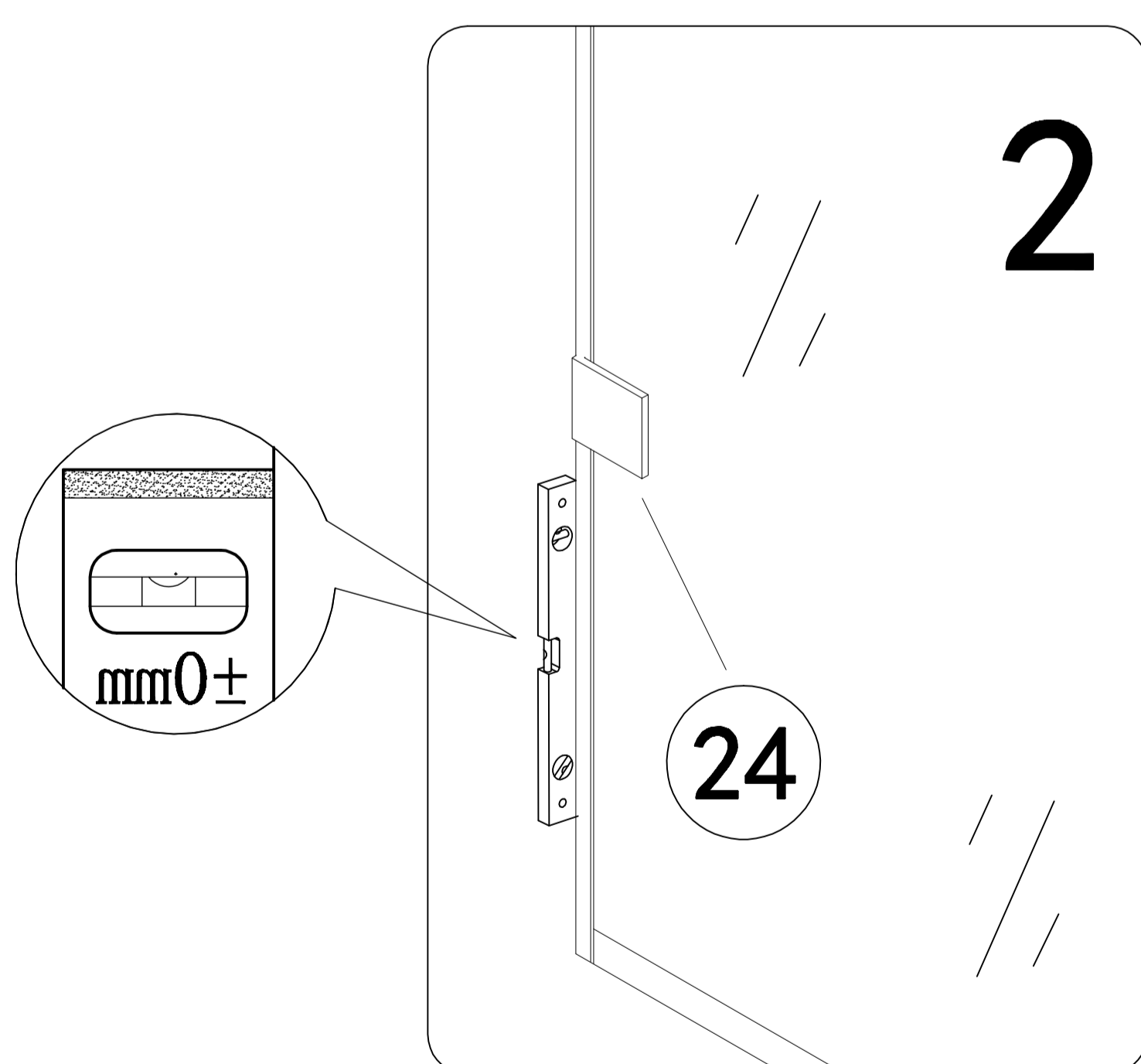
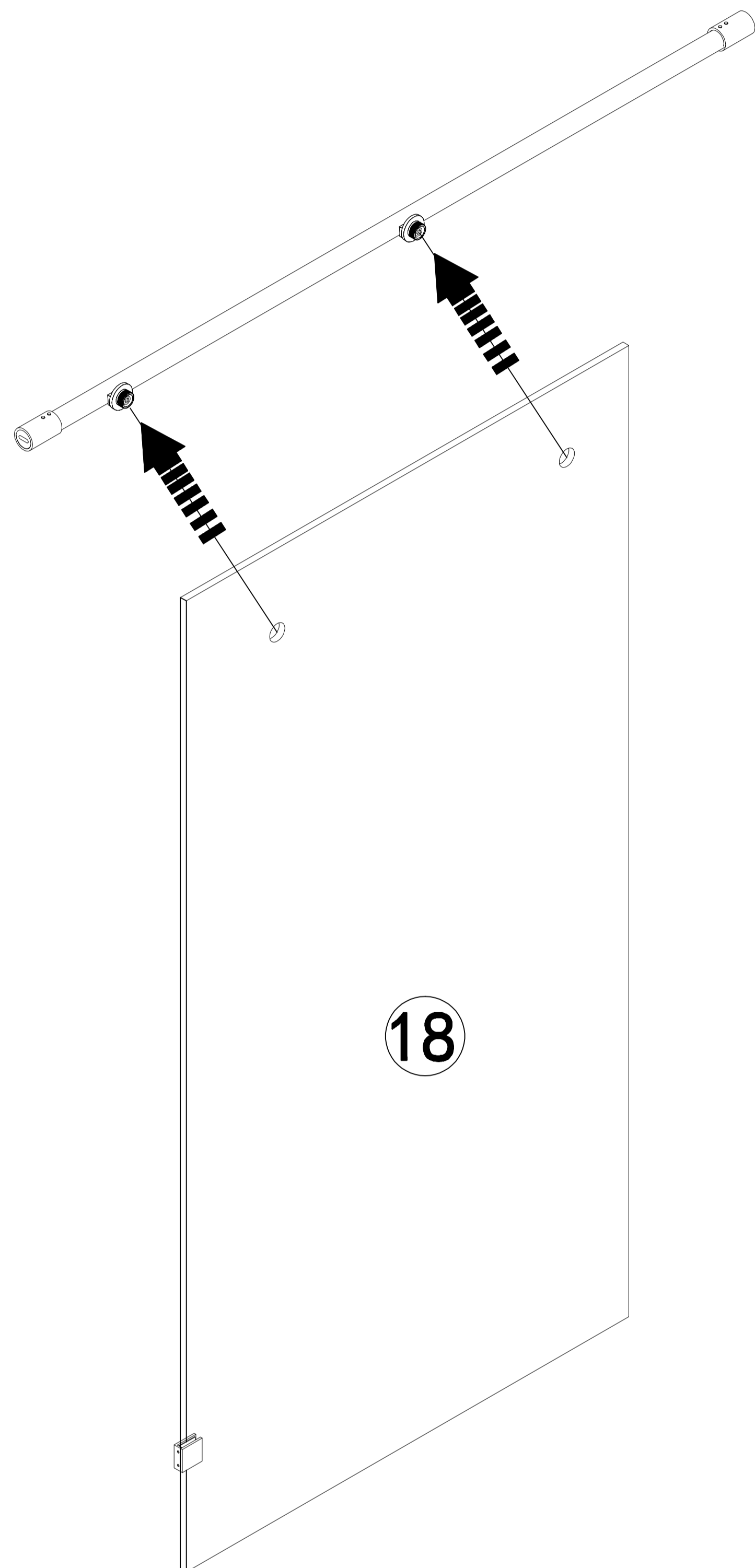


Choose the appropriate diagram below to assemble your shower door

## Left Hand Assembly

### STEP 6-1

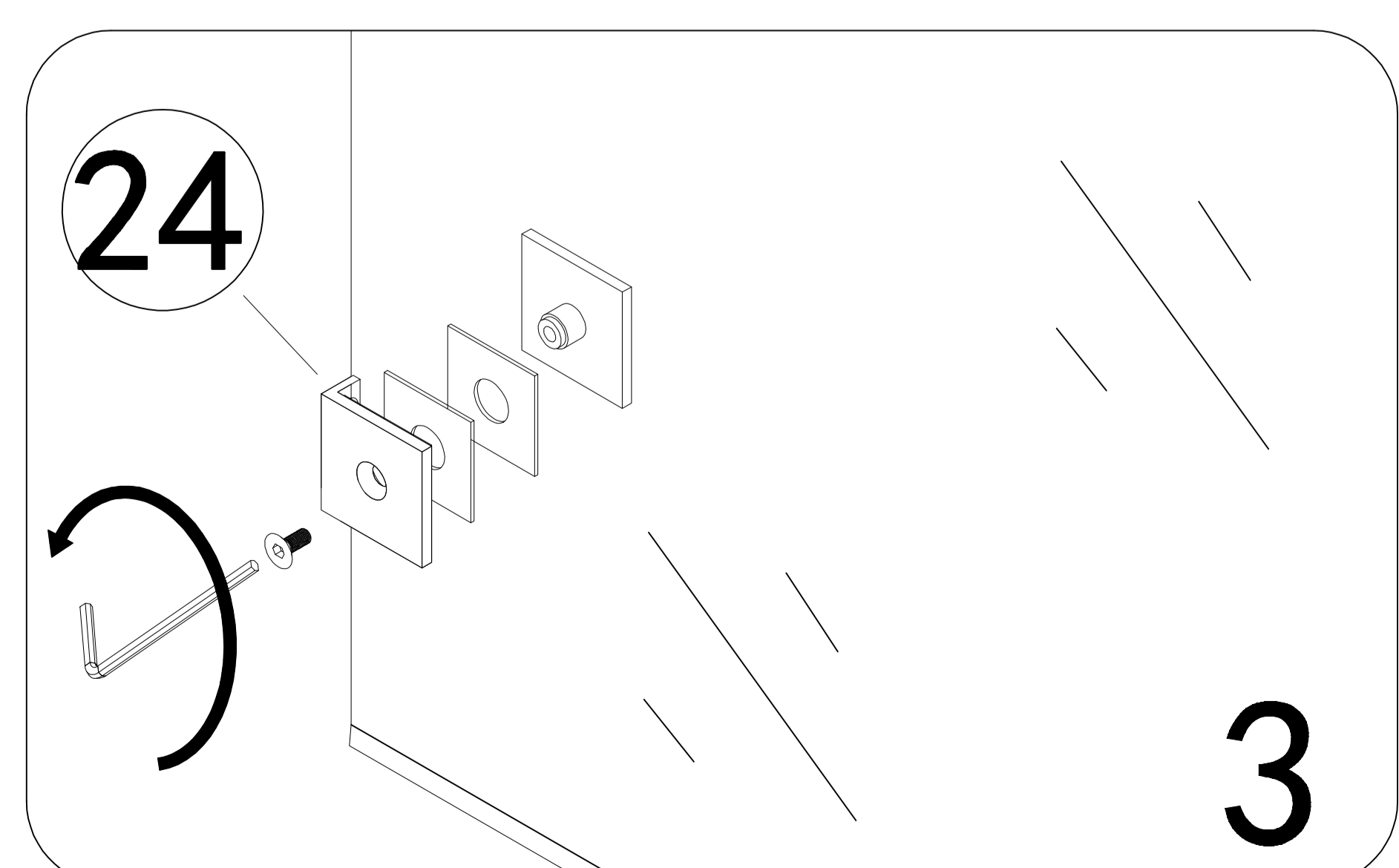
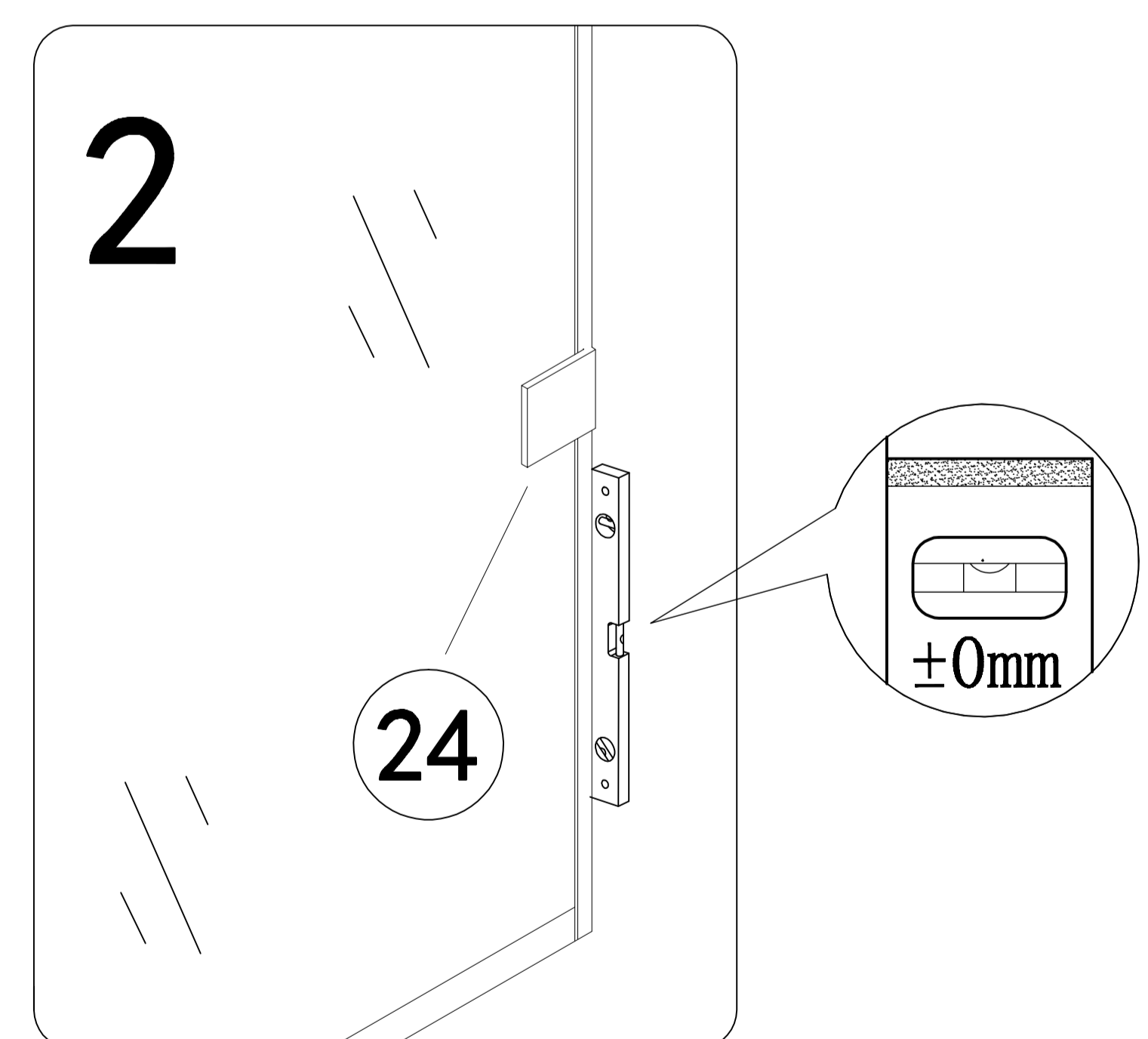
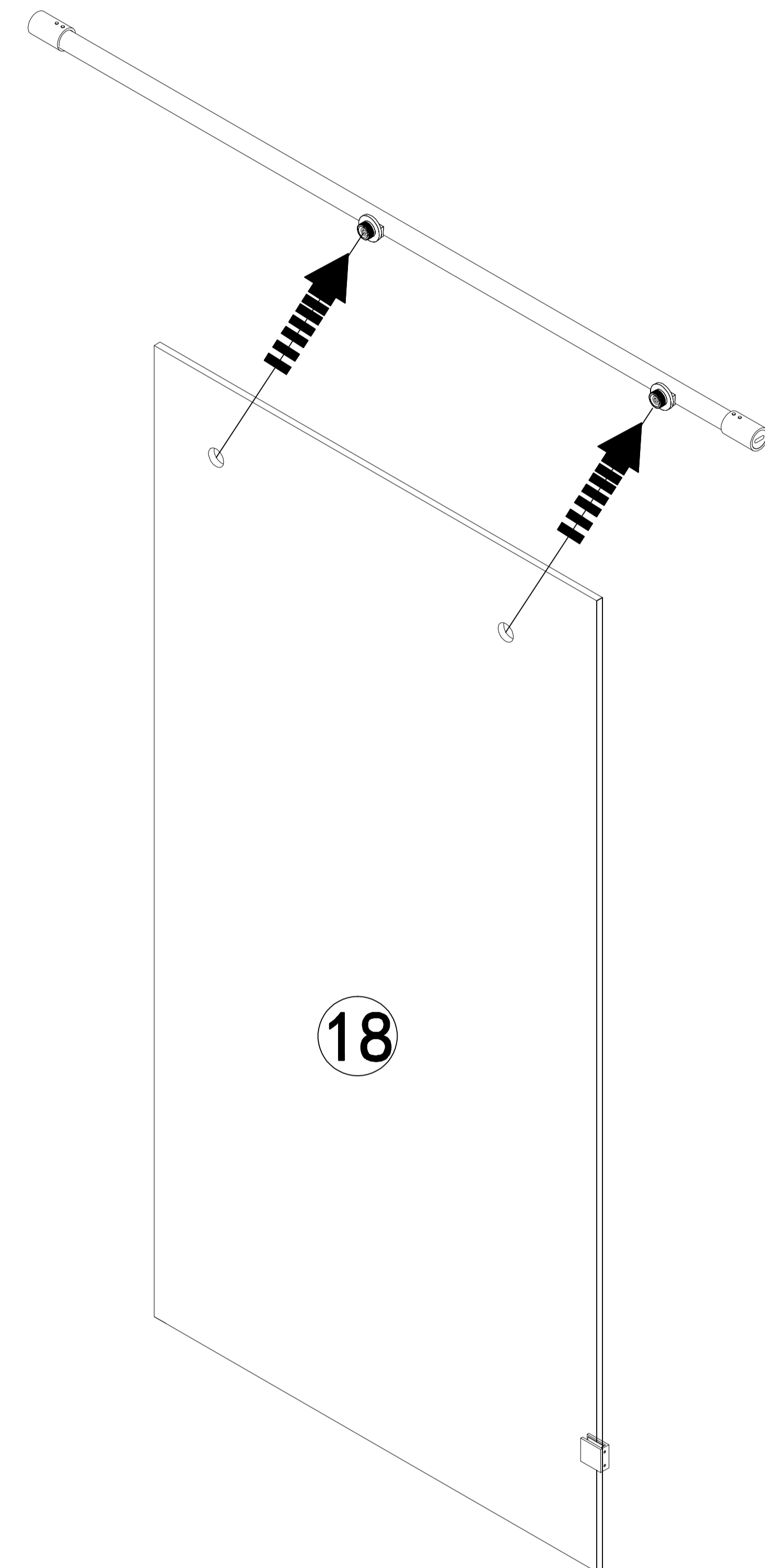
1. Connect the fixed glass and rod.
2. Use a level to measure the fixed glass vertically.
3. Lock the wall clamp, tighten it with a 4cm allen wrench.



## Right Hand Assembly

### STEP 6-1

1. Connect the fixed glass and rod.
2. Use a level to measure the fixed glass vertically.
3. Lock the wall clamp, tighten it with a 4cm allen wrench.

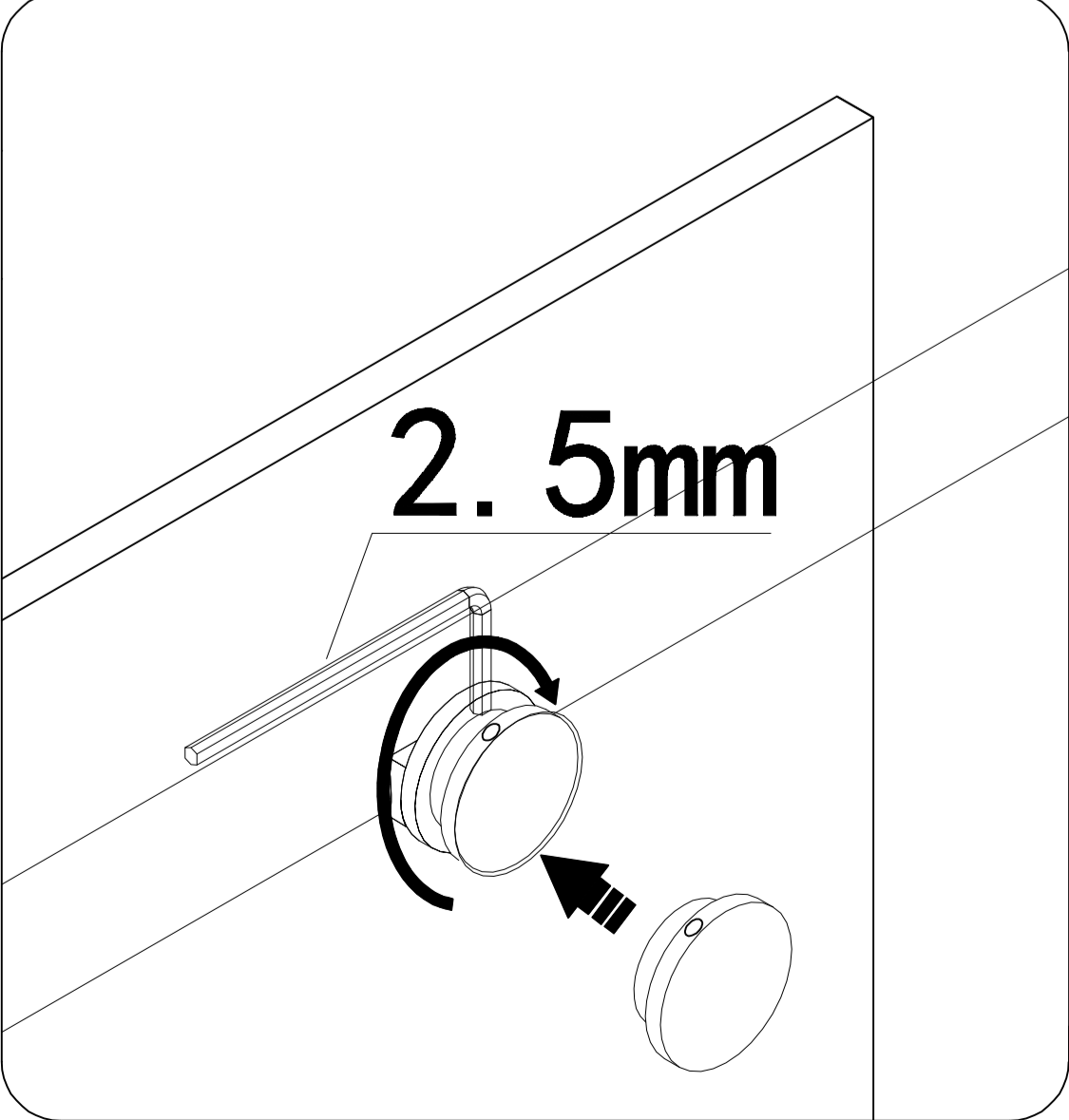
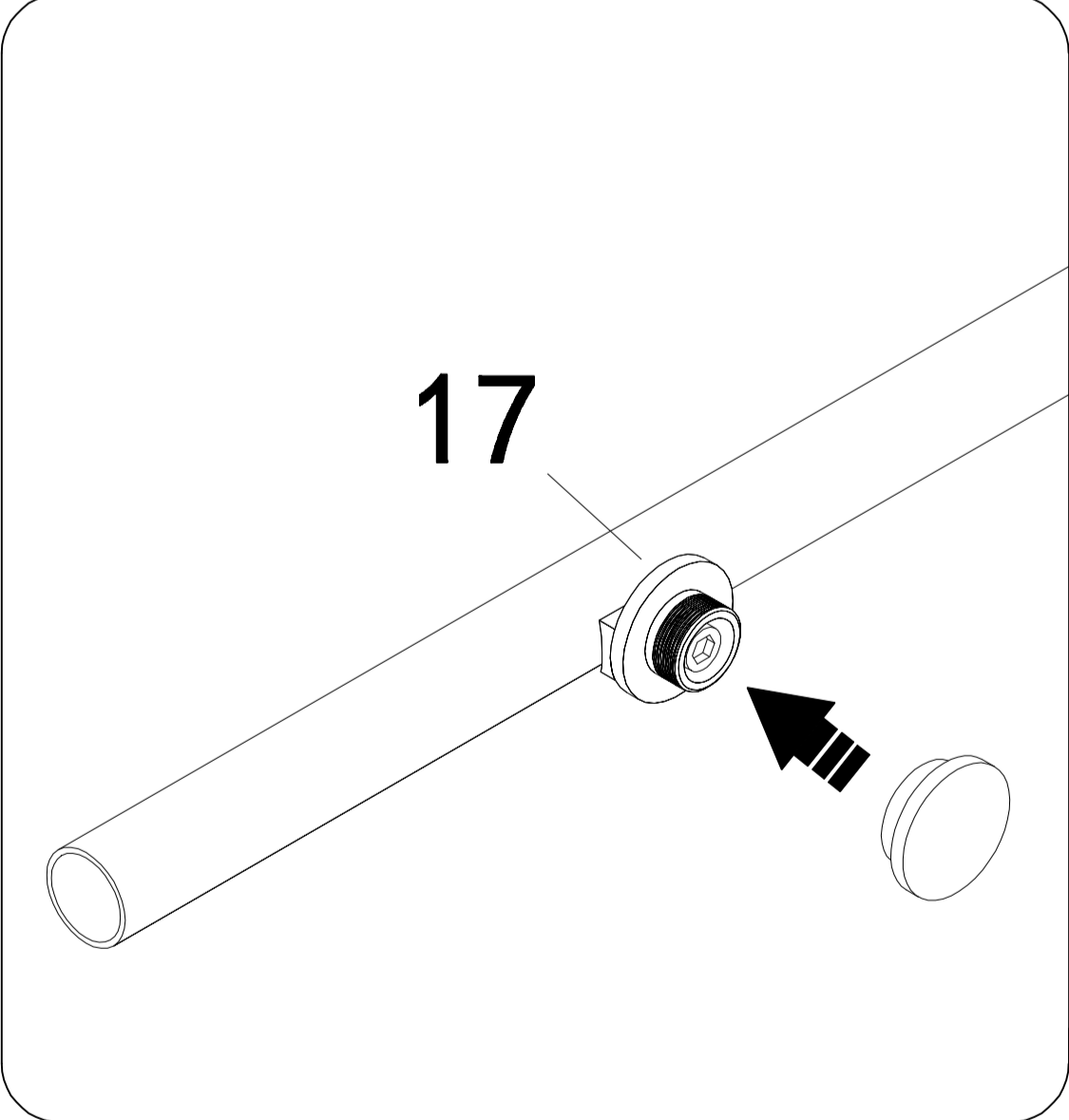
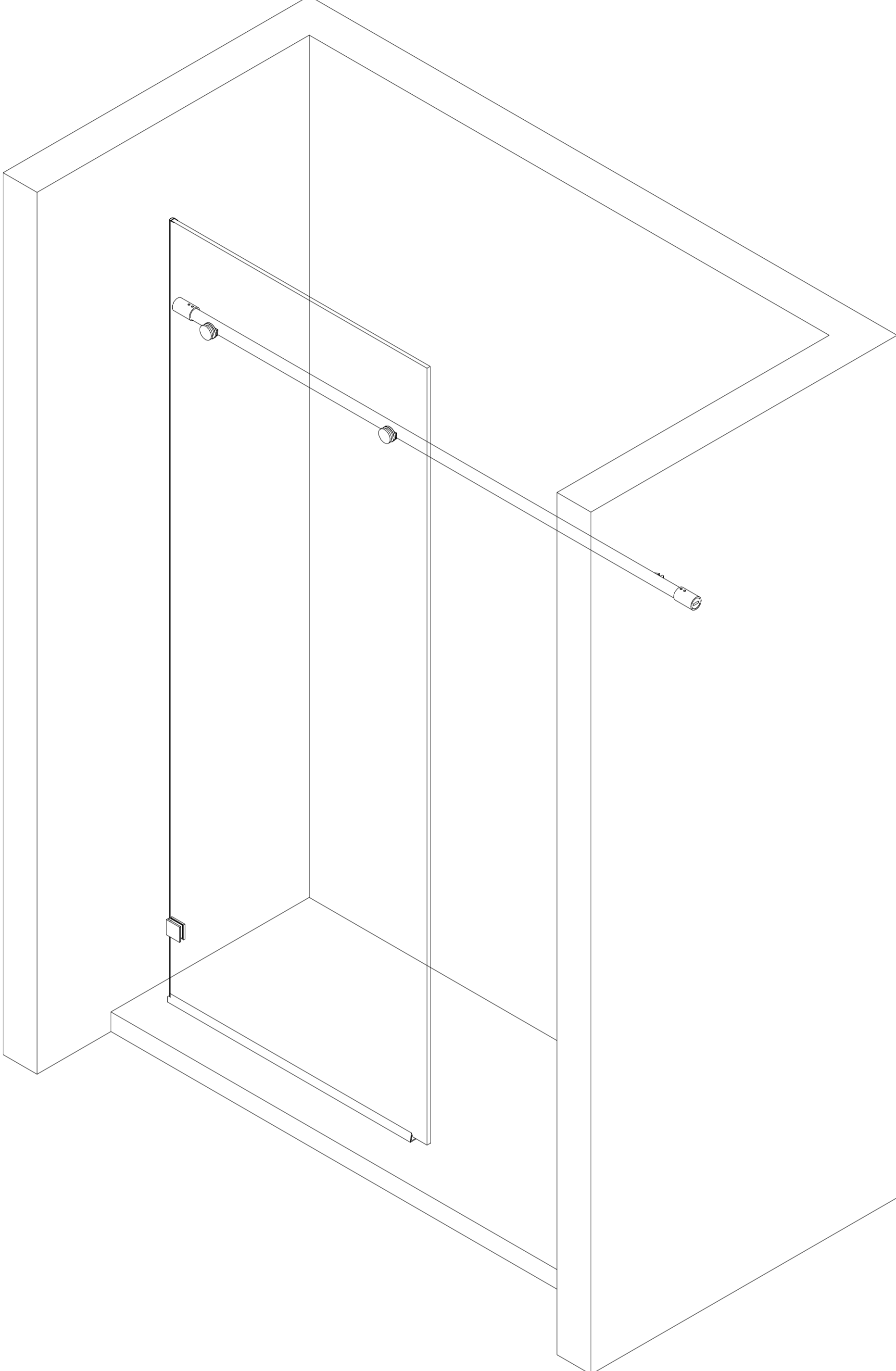


Choose the appropriate diagram below to assemble your shower door

### Left Hand Assembly

#### STEP 6-2

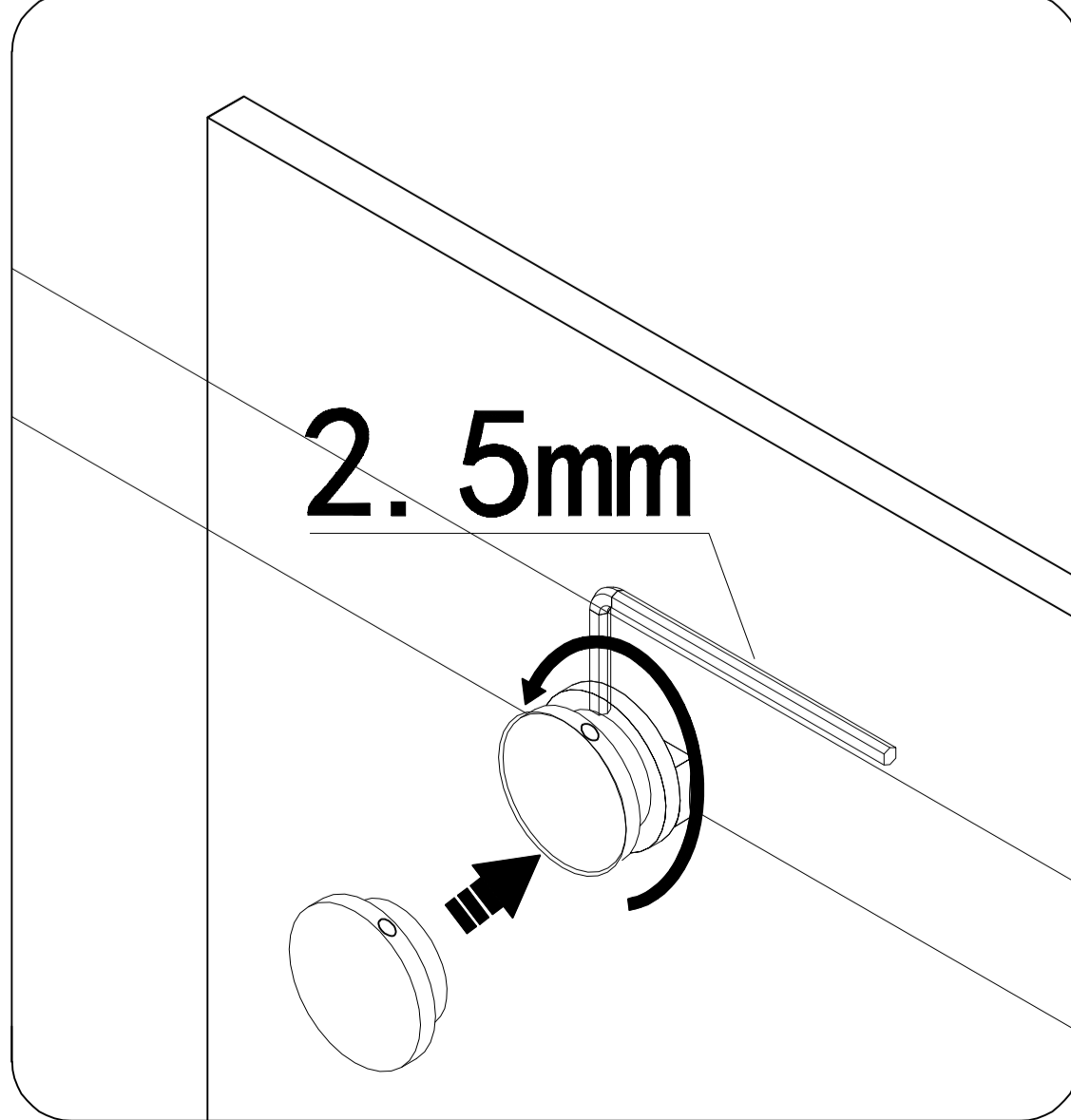
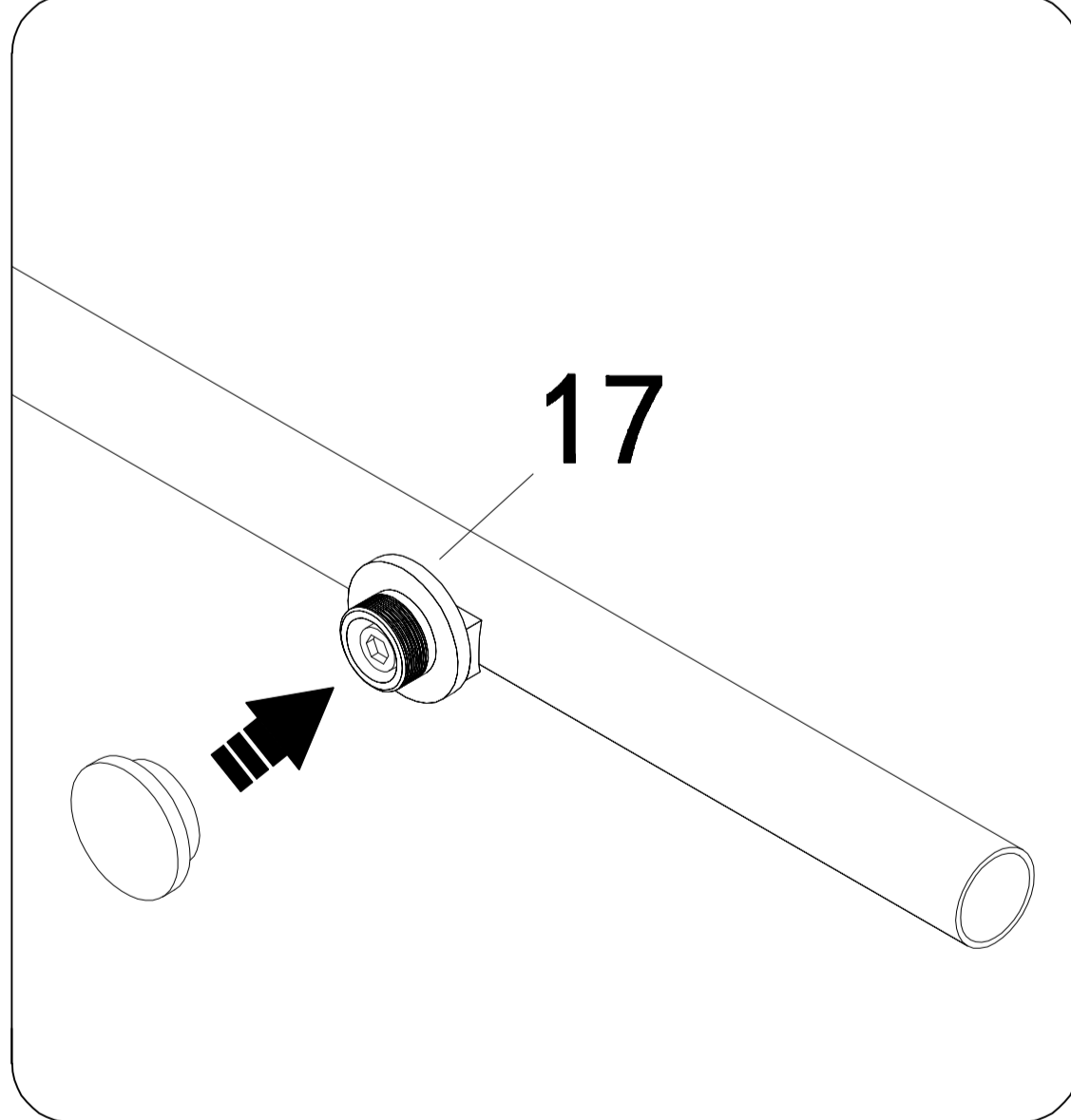
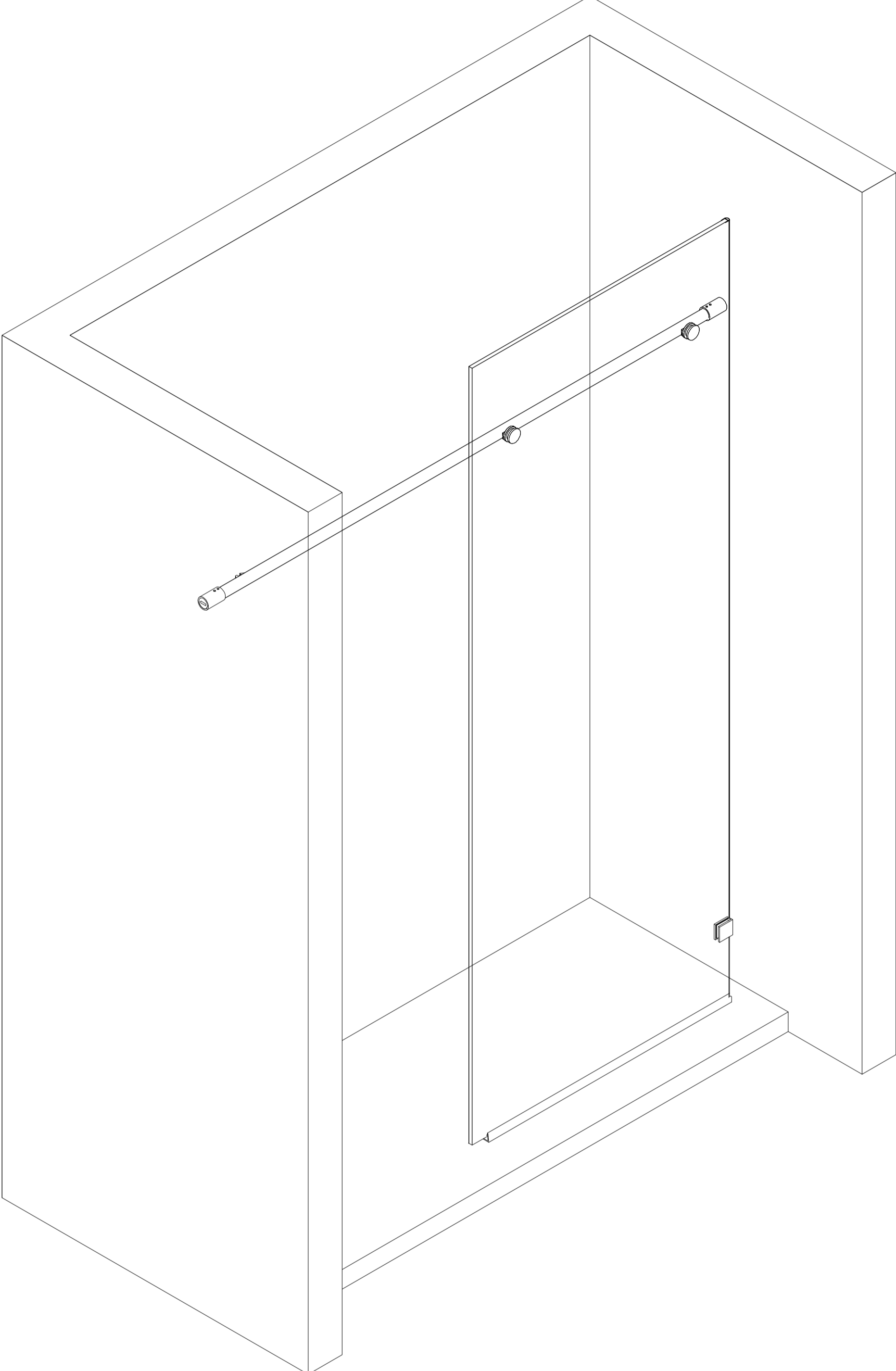
1. Lock the rod, tighten it with a 2.5cm allen wrench.



### Right Hand Assembly

#### STEP 6-2

1. Lock the rod, tighten it with a 2.5cm allen wrench.

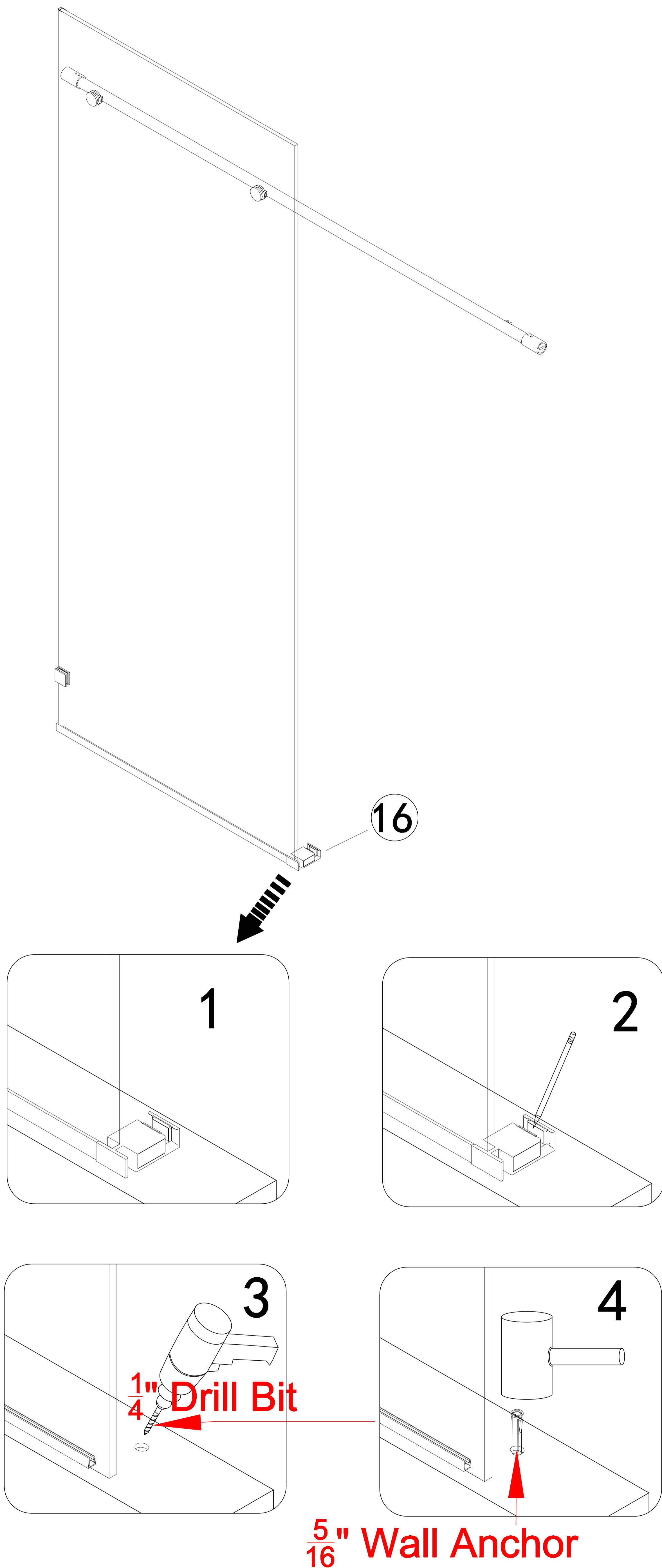


Choose the appropriate diagram below to assemble your shower door

## Left Hand Assembly

### STEP 7-1

1. Insert the Sliding Block ①⑥ on the bottom of fix panel corner.
2. Mark the holes with pencil.
3. Put away the Sliding Block ①⑥, drill the holes with a drill in the marks.
4. Insert the wall anchor.

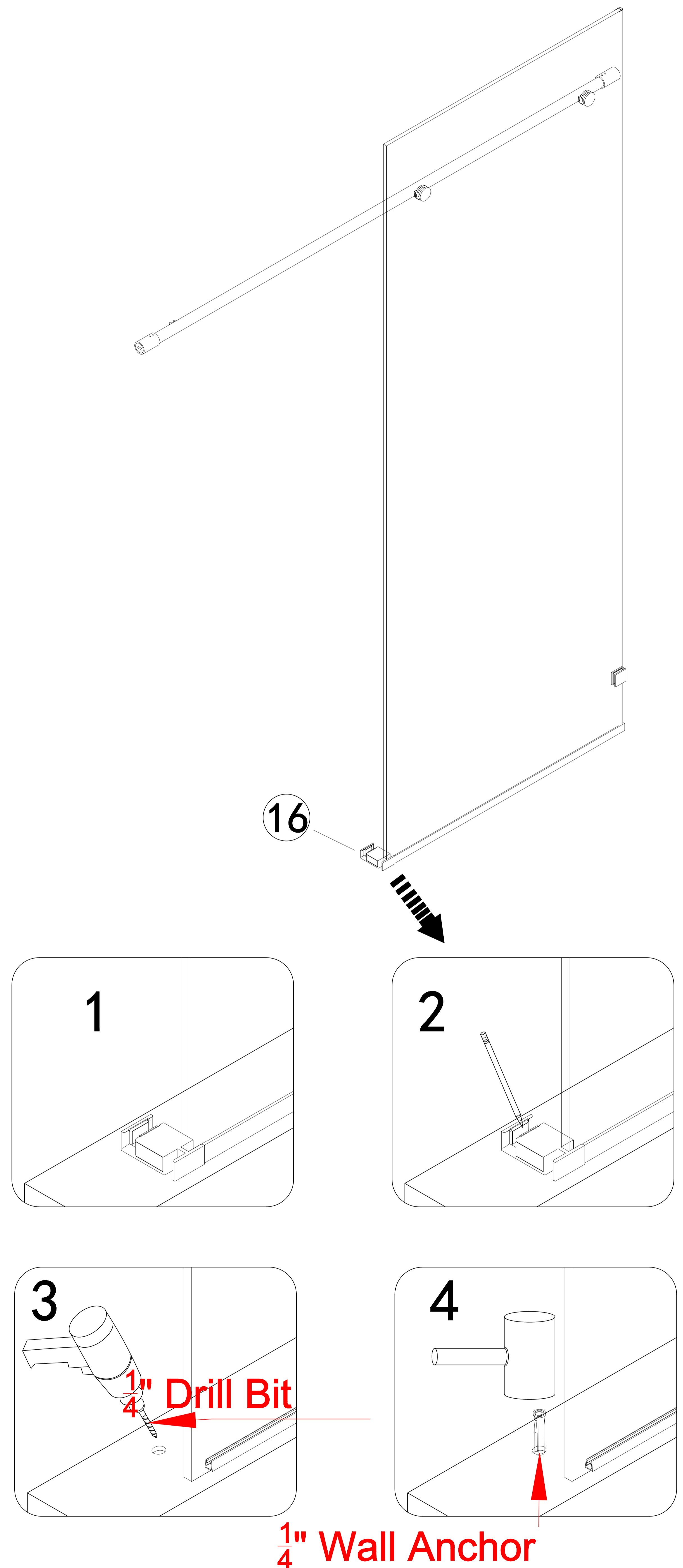


**!** Note : If cannot be drilled , please fixed it with glass gule.

## Right Hand Assembly

### STEP 7-1

1. Insert the Sliding Block ①⑥ on the bottom of fix panel corner.
2. Mark the holes with pencil.
3. Put away the Sliding Block ①⑥, drill the holes with a drill in the marks.
4. Insert the wall anchor.



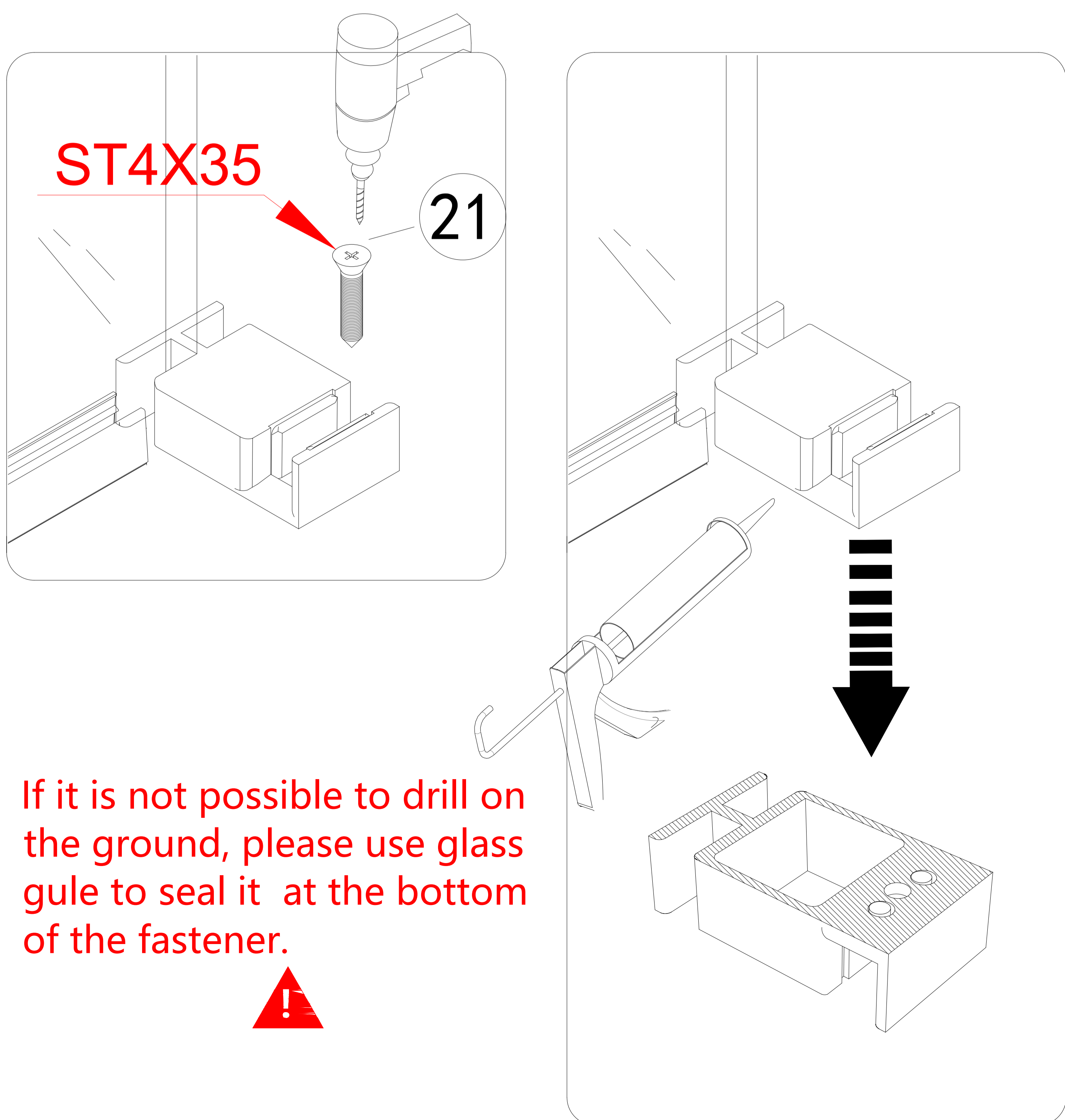
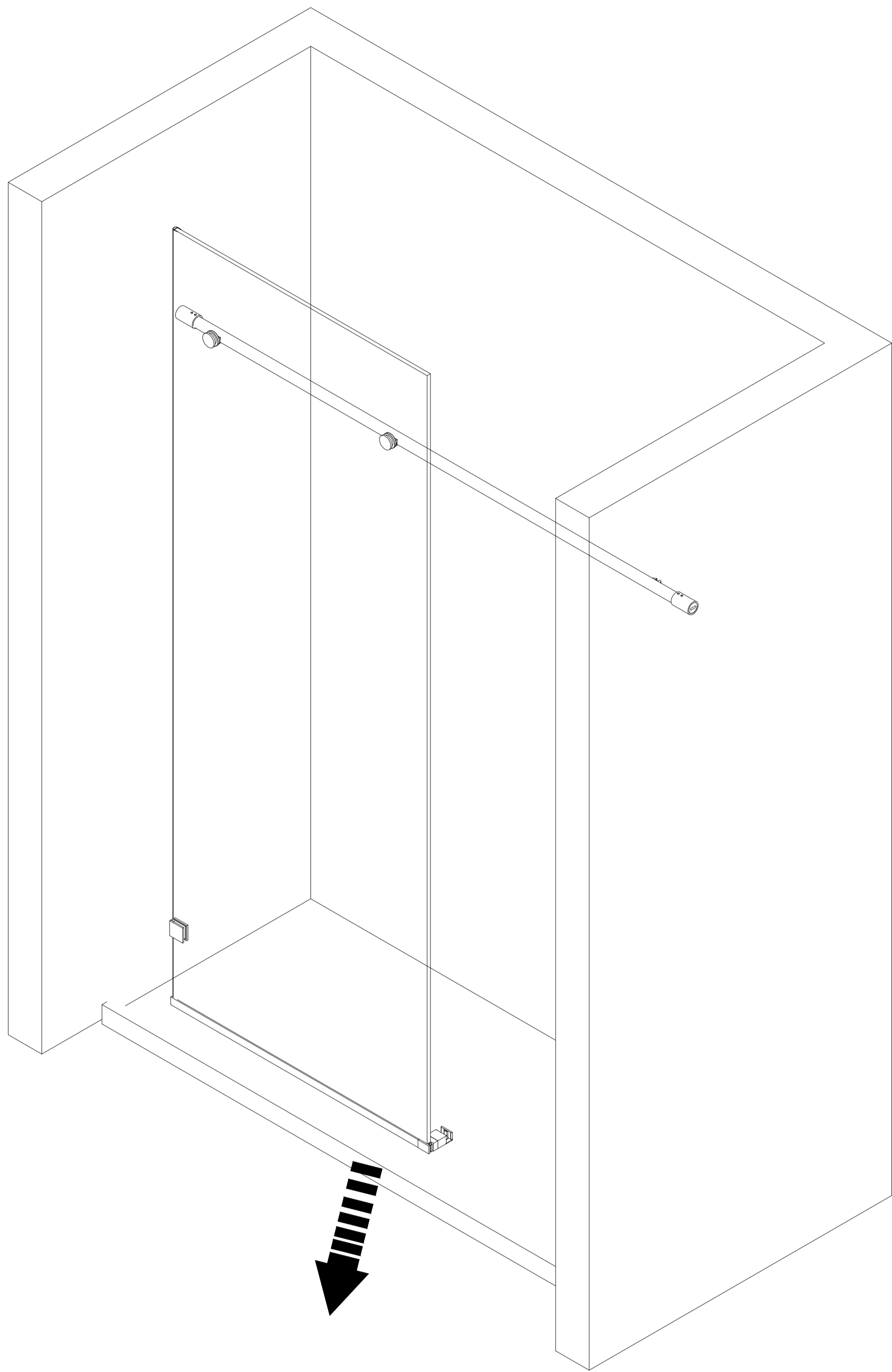
**!** Note : If cannot be drilled , please fixed it with glass gule. 15

Choose the appropriate diagram below to assemble your shower door

## Left Hand Assembly

### STEP 7-2

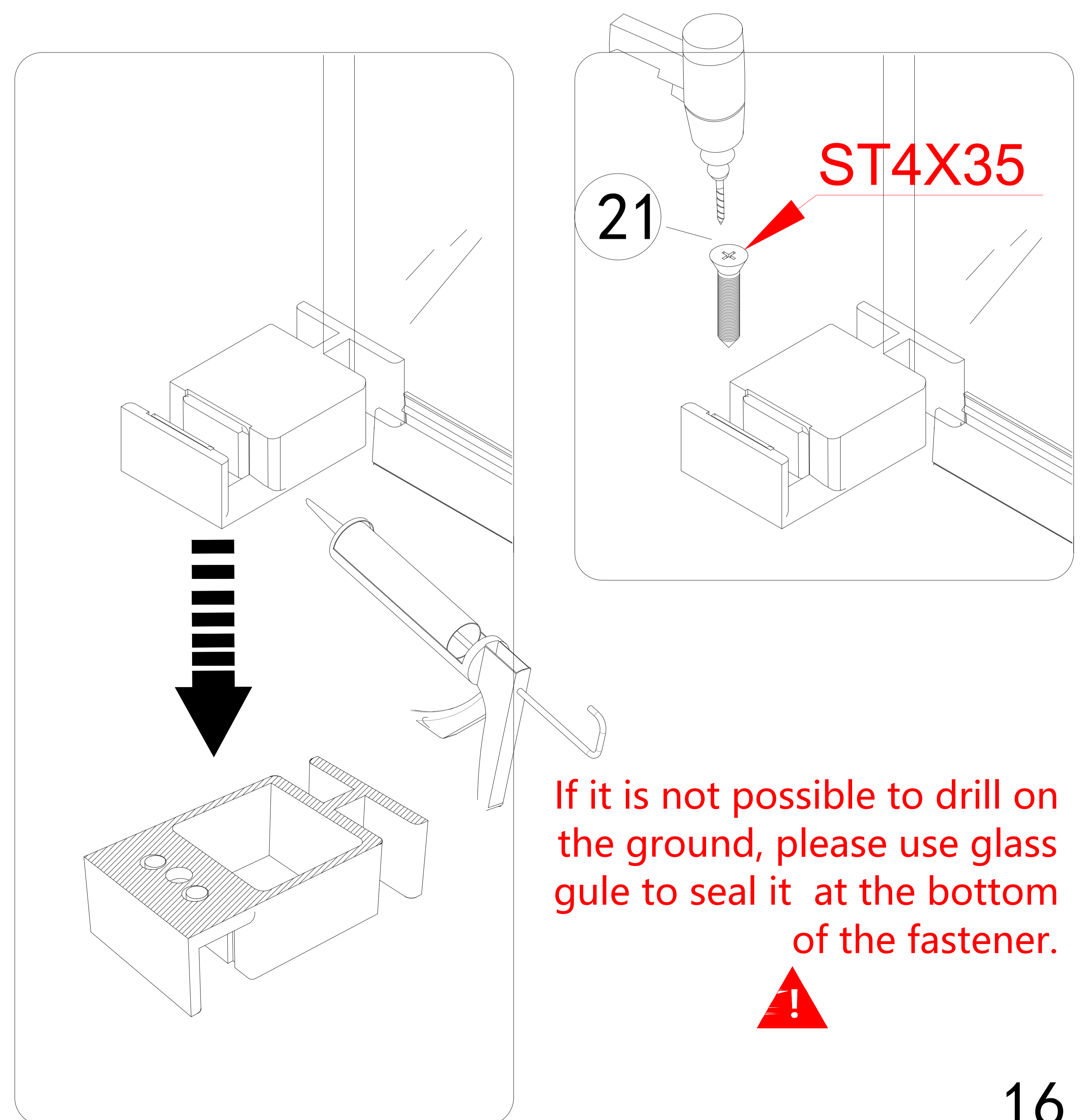
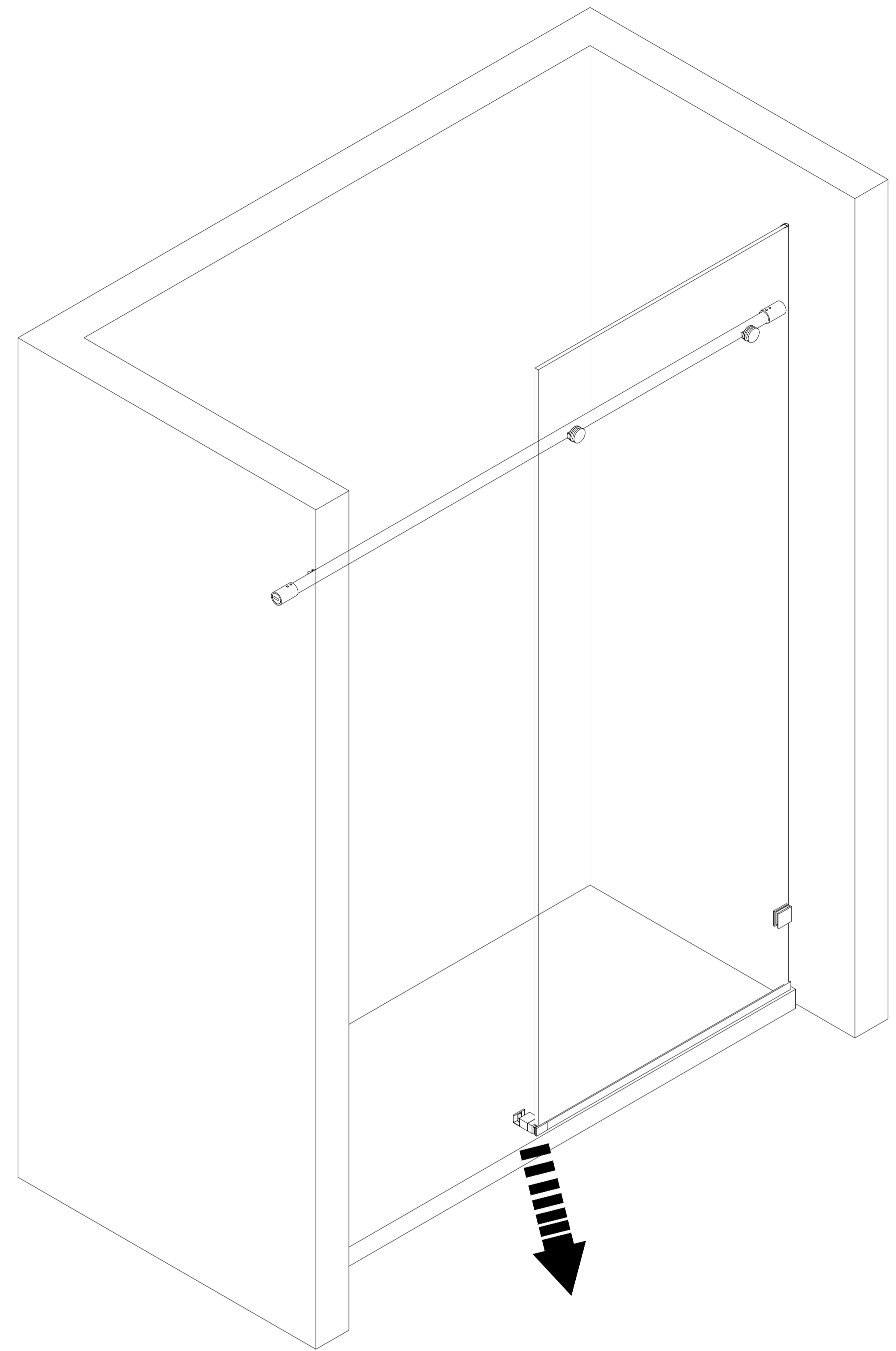
Install the Bottom Rail Connecting Part.



## Right Hand Assembly

### STEP 7-2

Install the Bottom Rail Connecting Part.

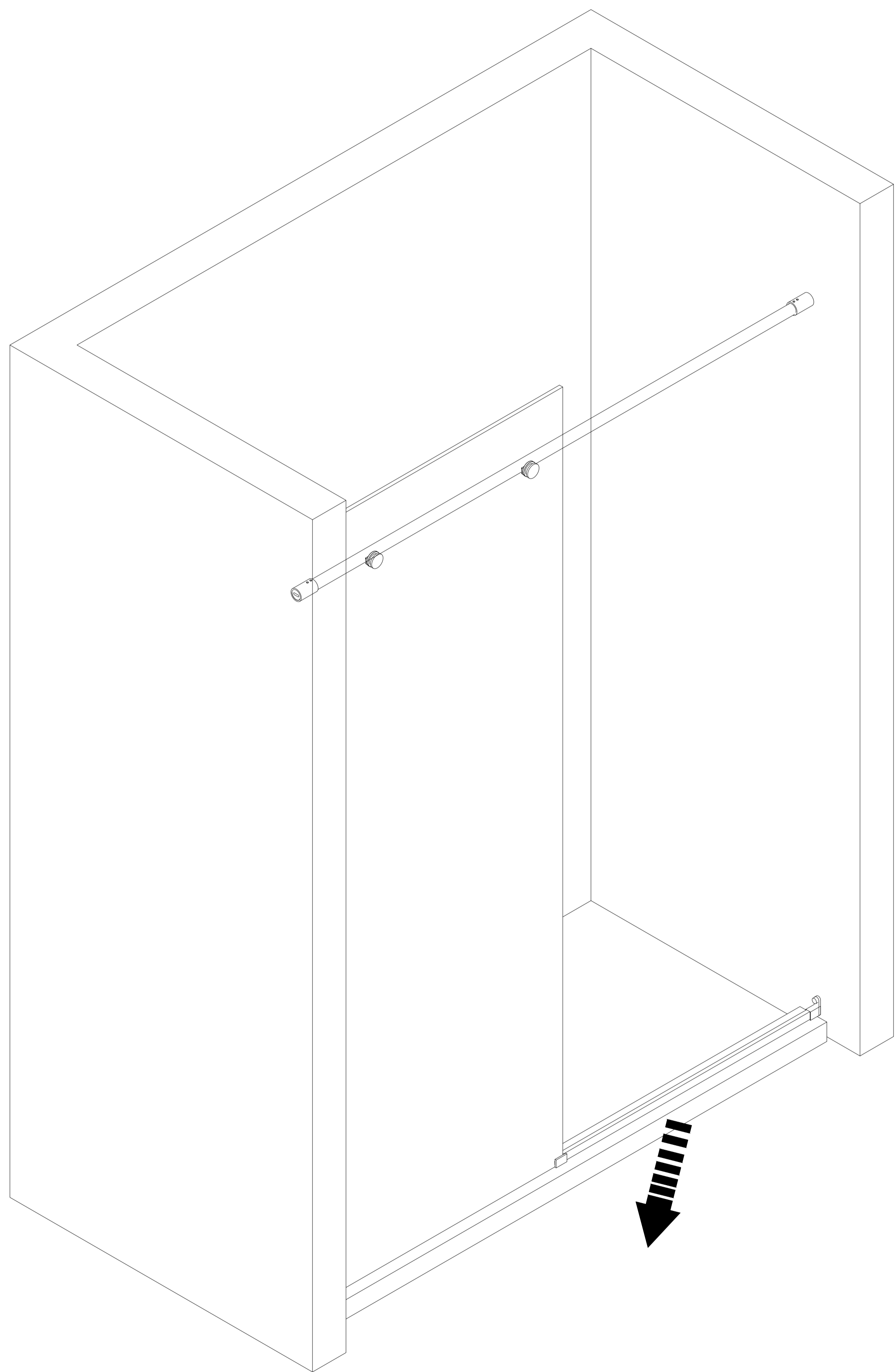


Choose the appropriate diagram below to assemble your shower door

## Left Hand Assembly

### STEP 7-3

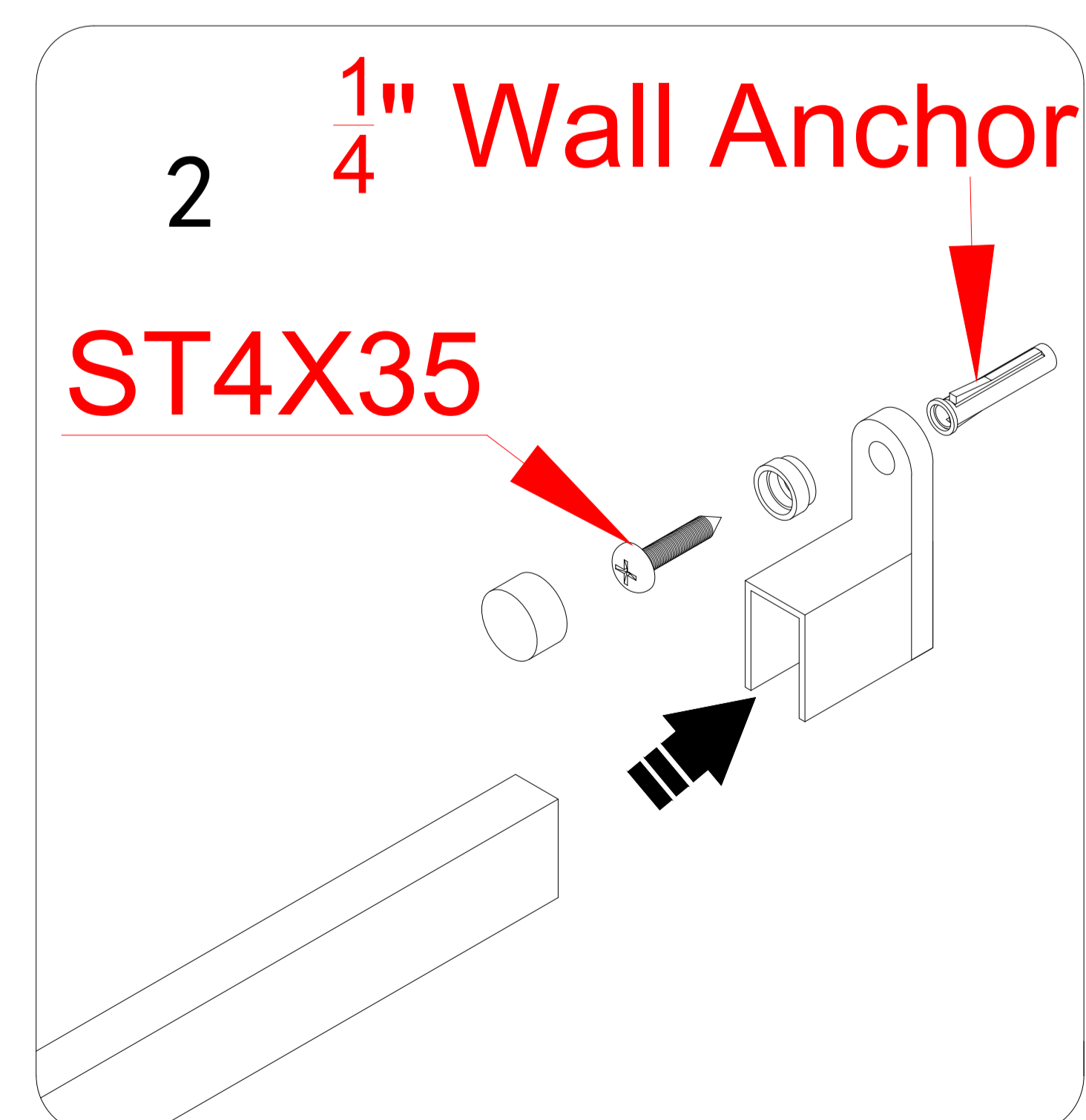
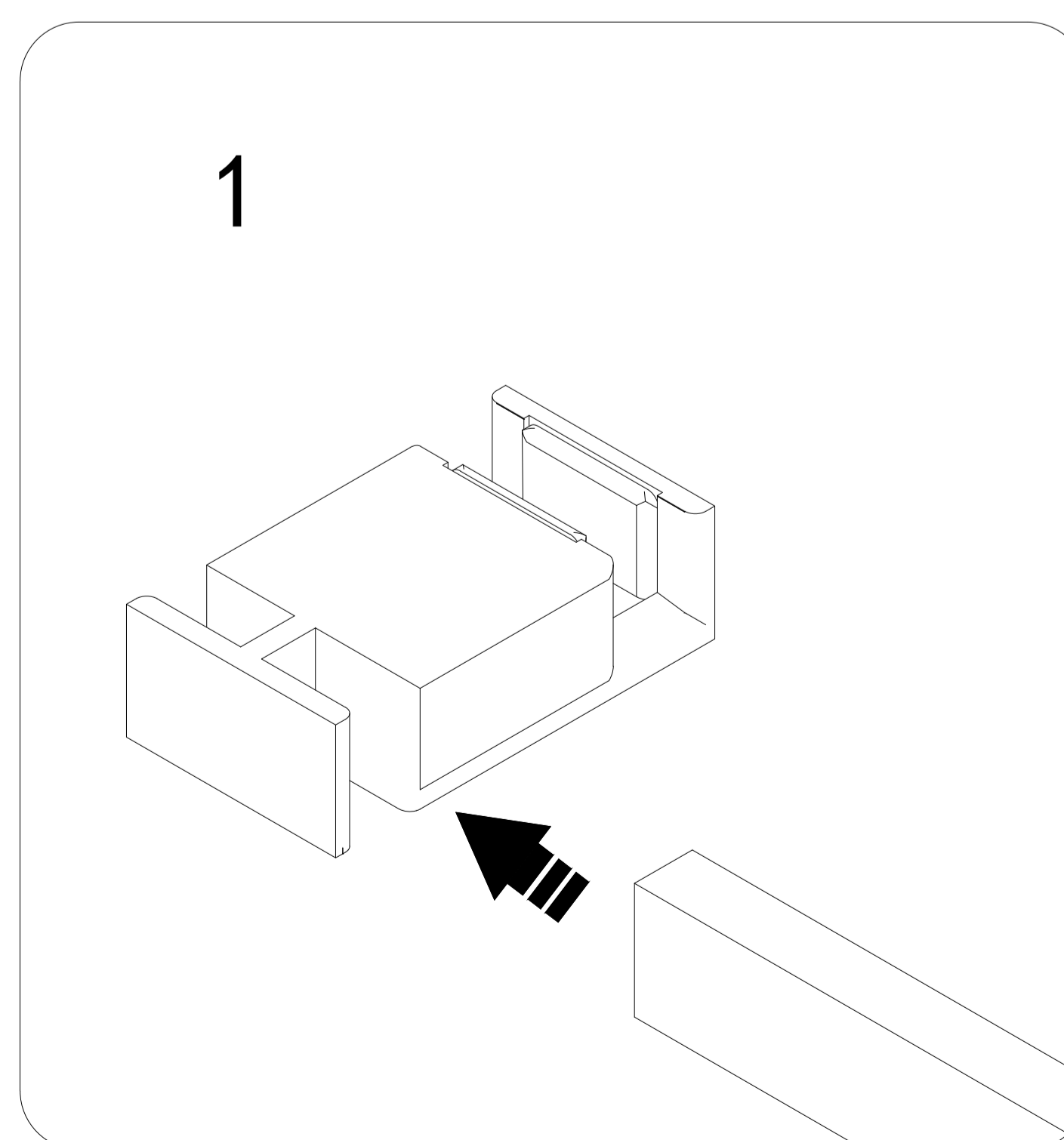
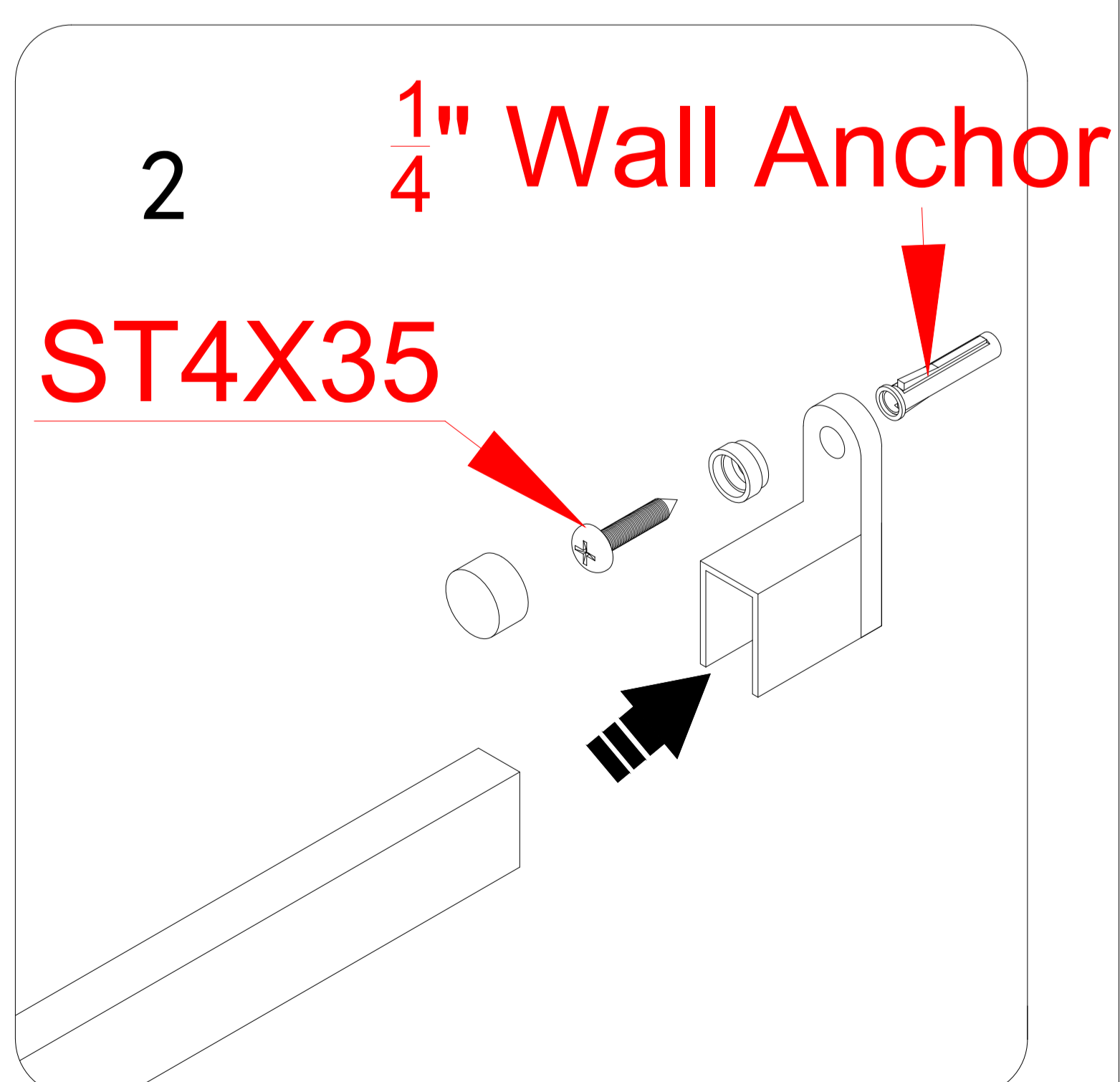
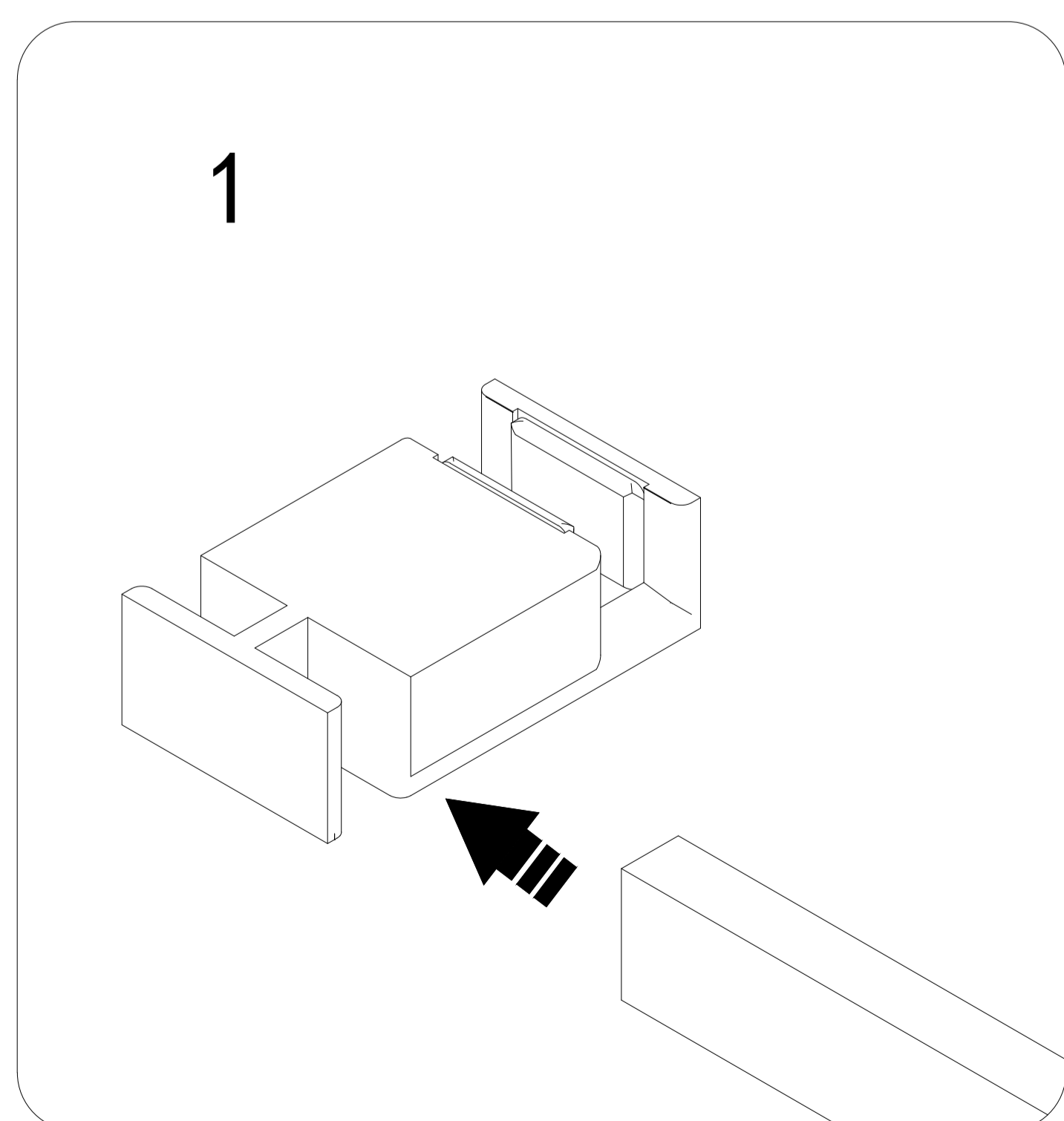
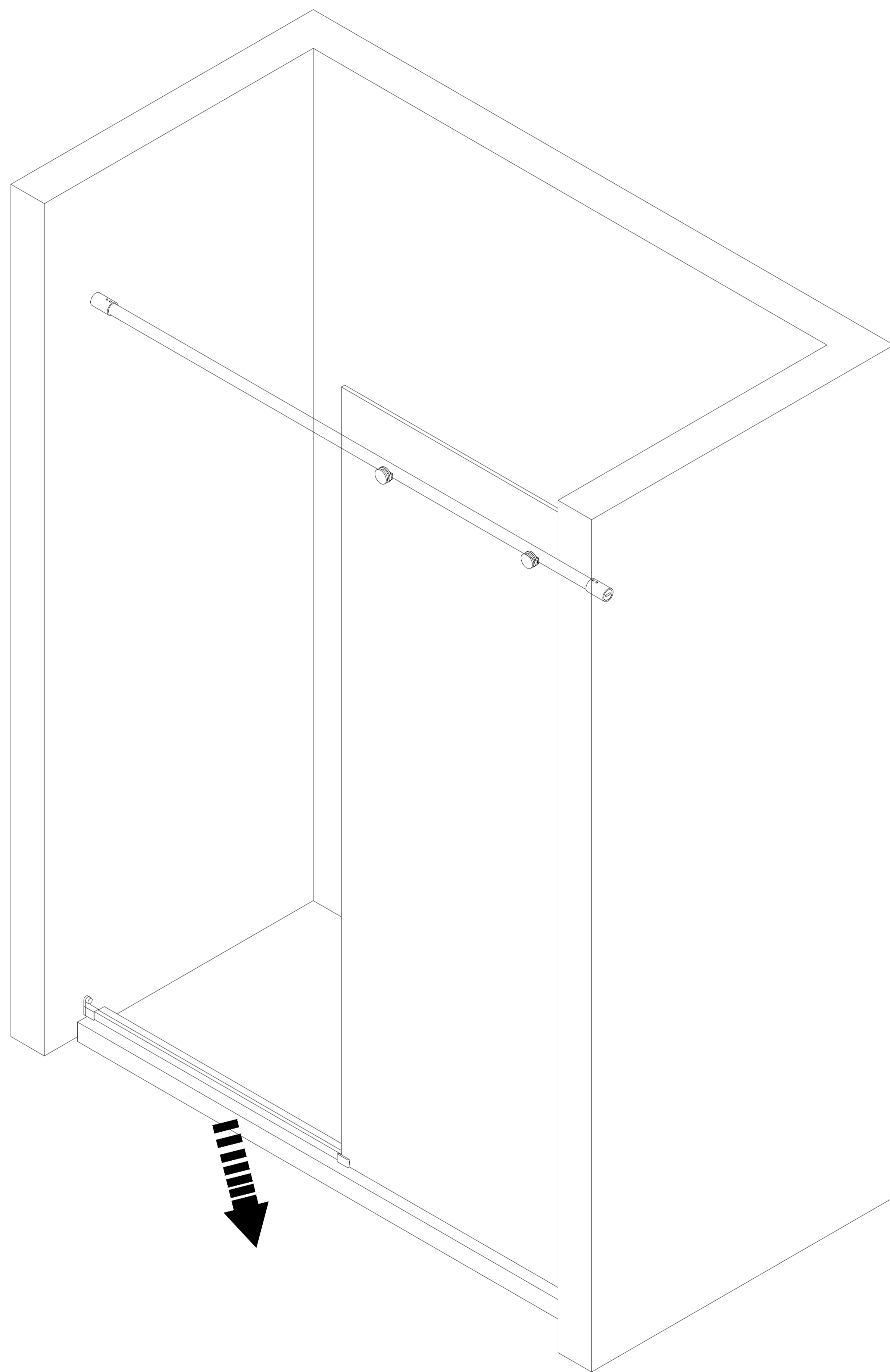
1. Insert one end of the Base bar (15) into the bayonet of Sliding block (16).
2. Insert the other end into the Bottom Rail Wall Connecting Part 14, use 4\*25 Self-tapping, fixed to the wall with wall decoration cover (13).



## Right Hand Assembly

### STEP 7-3

1. Insert one end of the Base bar (15) into the bayonet of Sliding block (16).
2. Insert the other end into the Bottom Rail Wall Connecting Part 14, use 4\*25 Self-tapping, fixed to the wall with wall decoration cover (13).

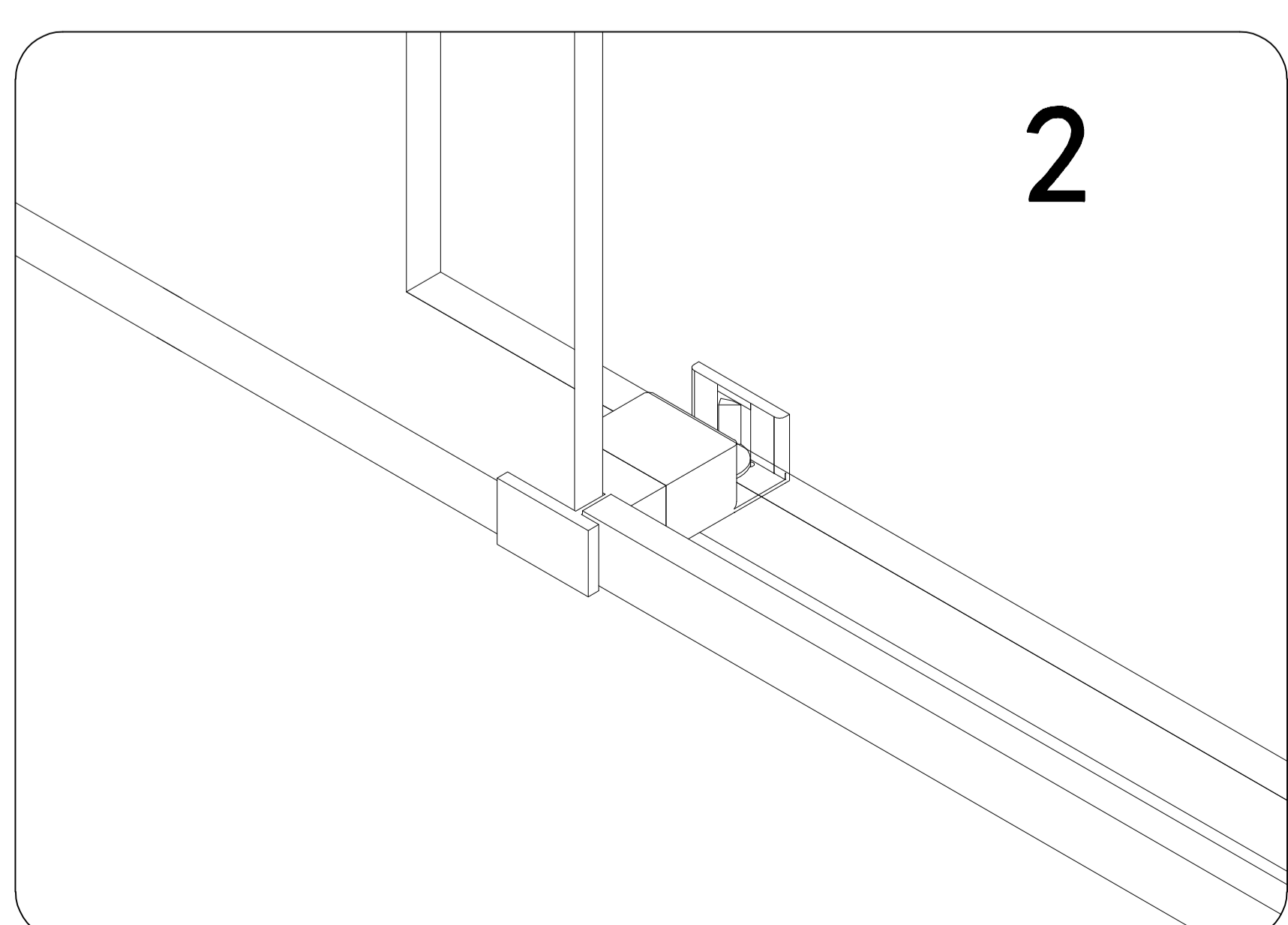
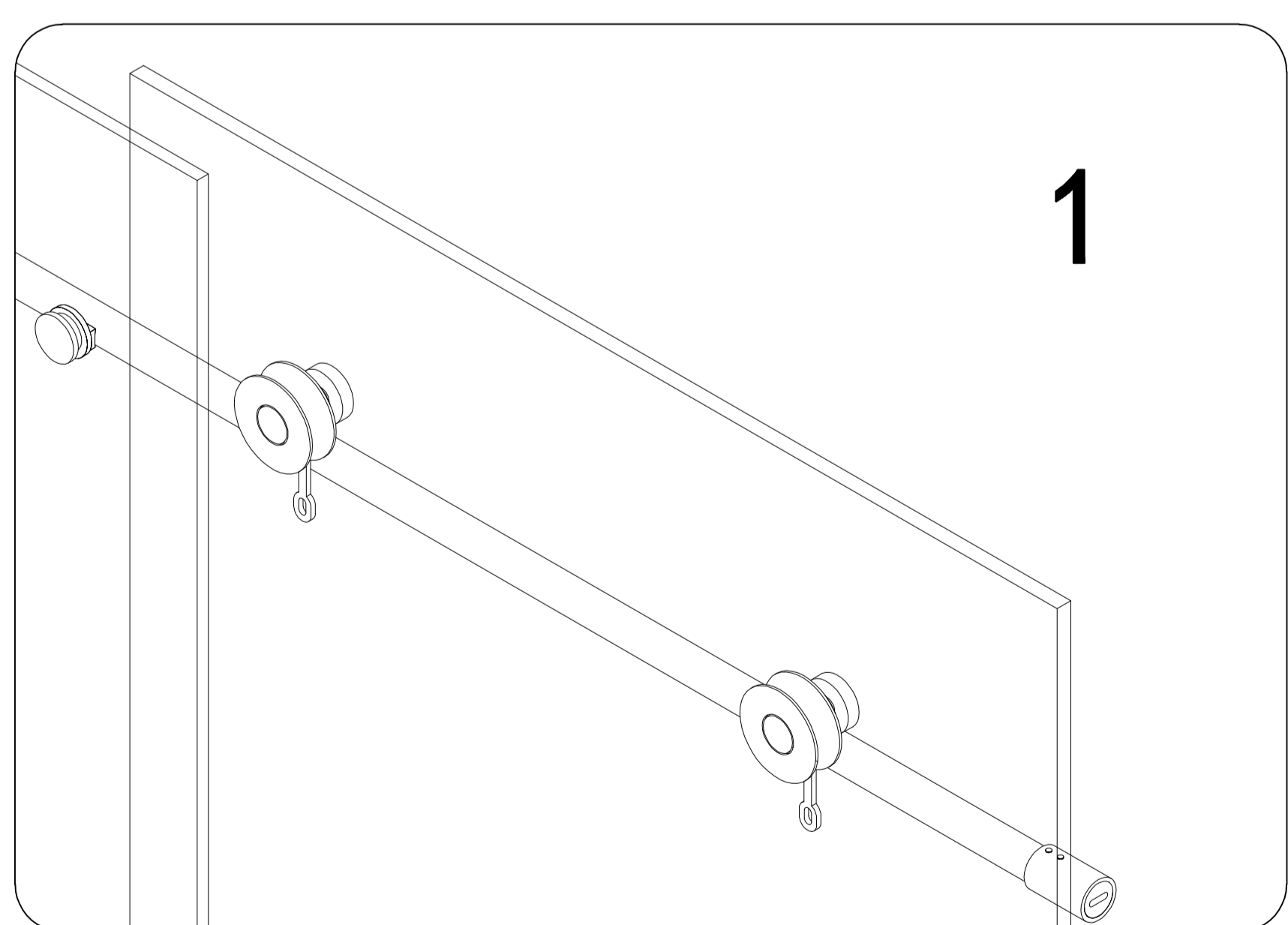
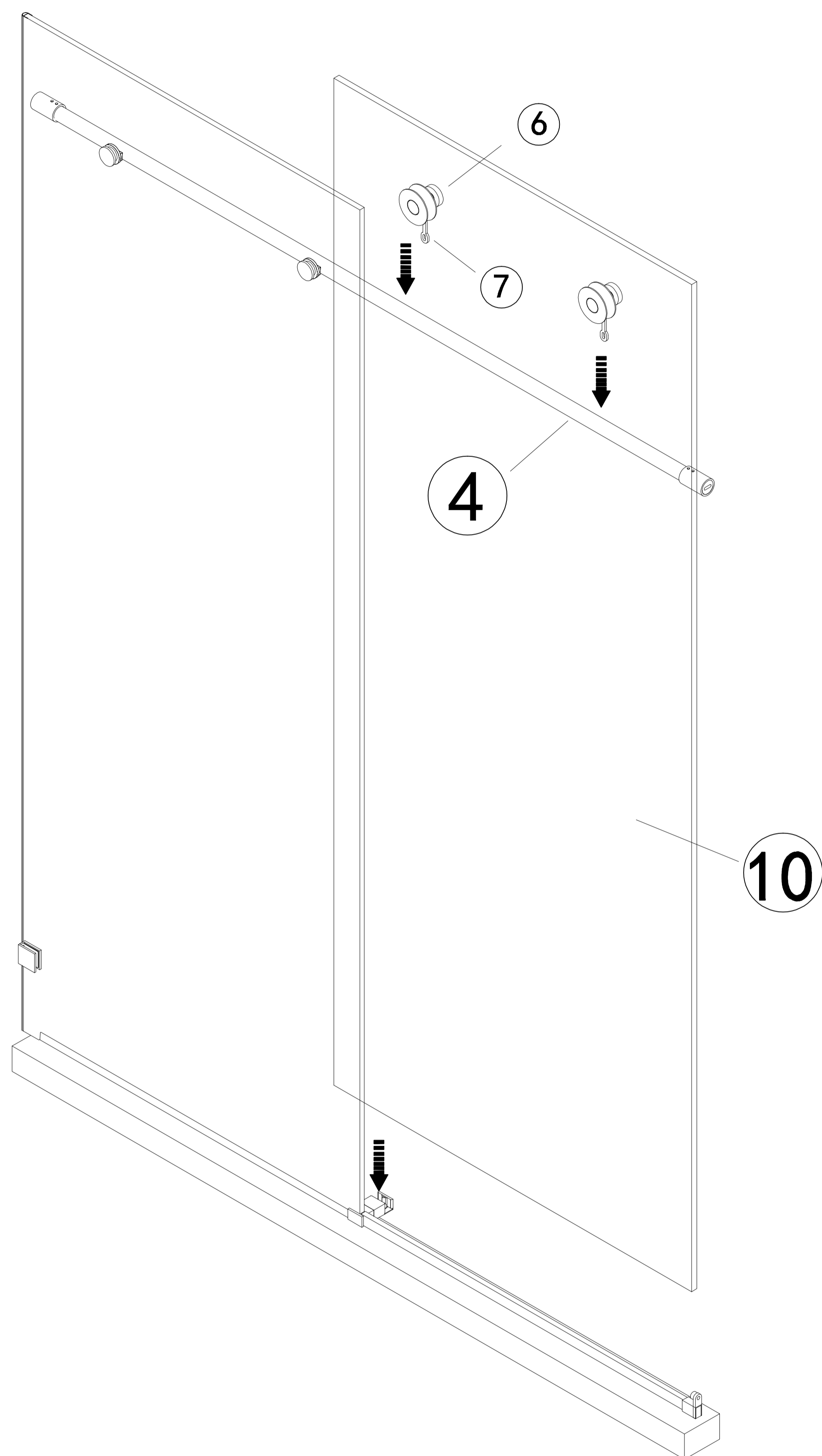


Choose the appropriate diagram below to assemble your shower door

## Left Hand Assembly

### STEP 8-1

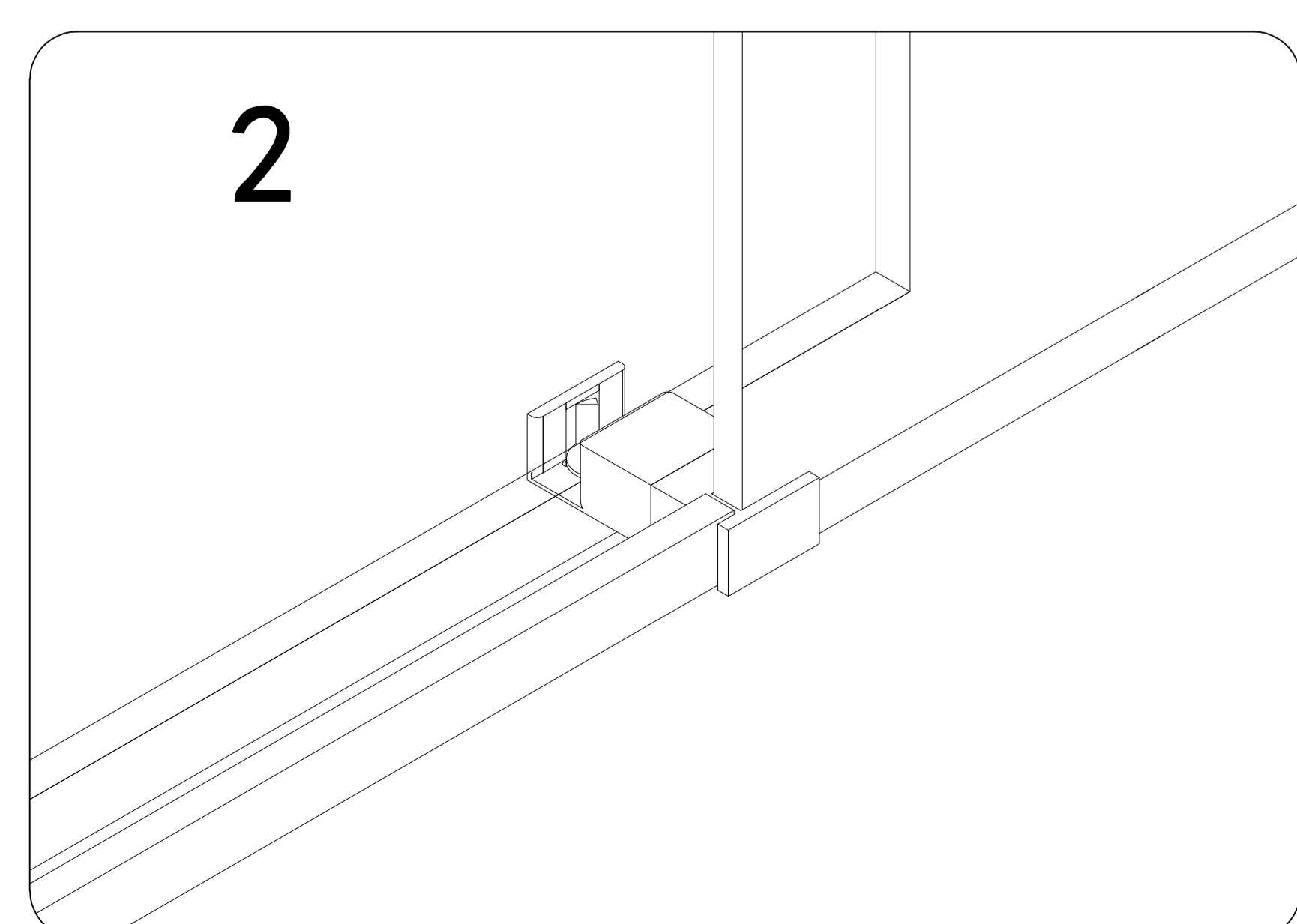
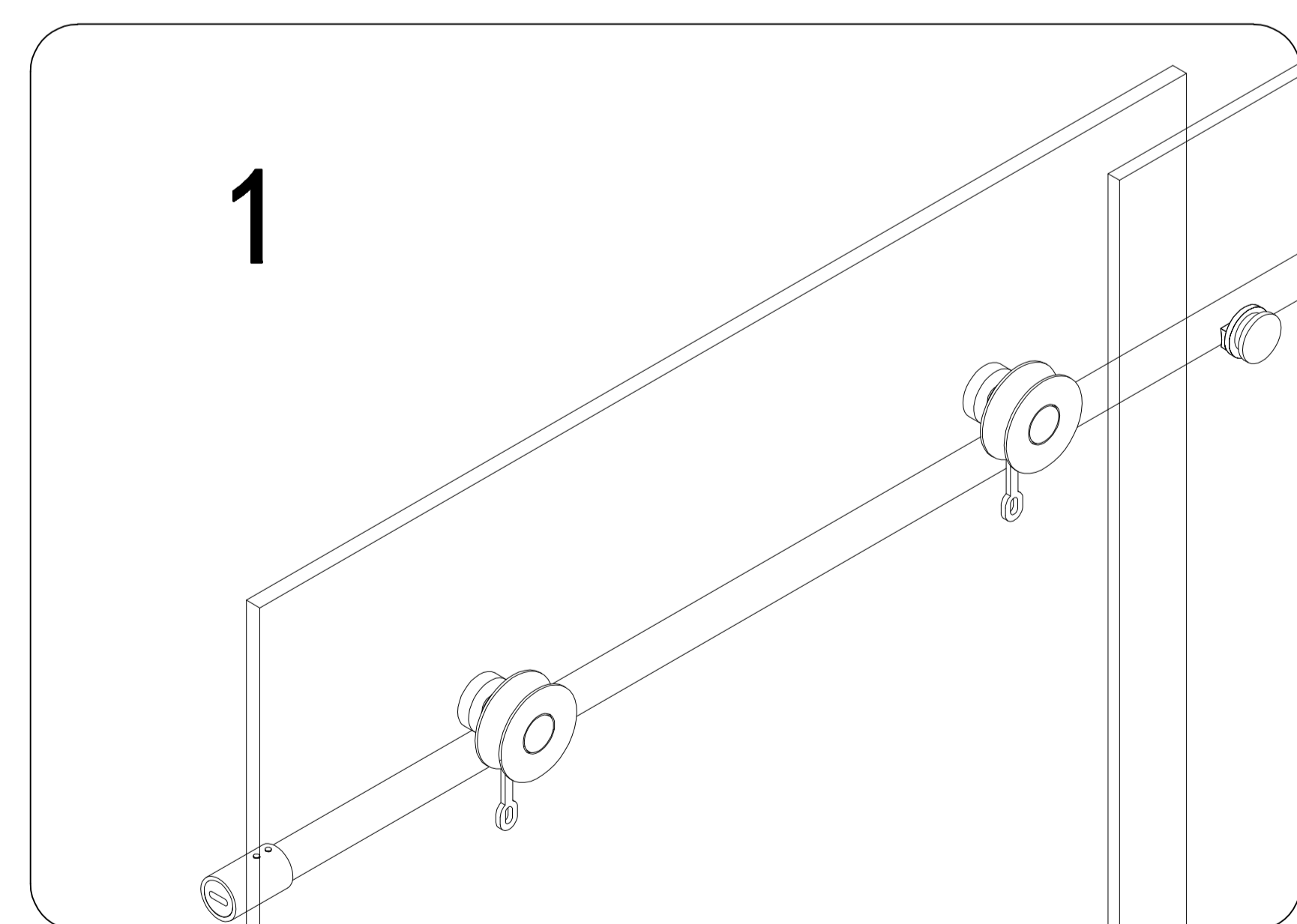
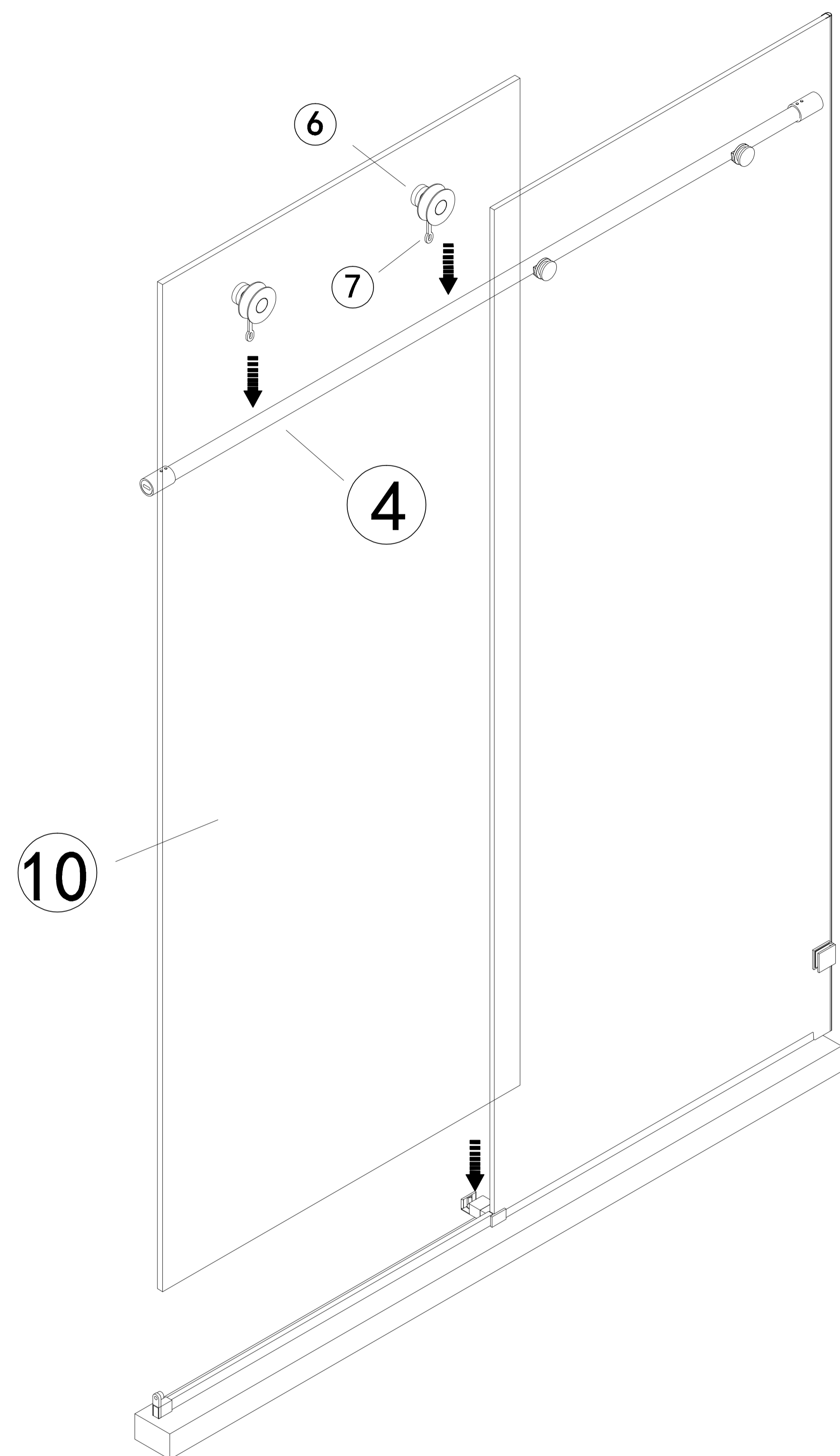
1. Hang the active panel on the top rail.
2. Make sure the bottom of the active panel loaded into the sliding block (16).



## Right Hand Assembly

### STEP 8-1

1. Hang the active panel on the top rail.
2. Make sure the bottom of the active panel loaded into the sliding block (16).

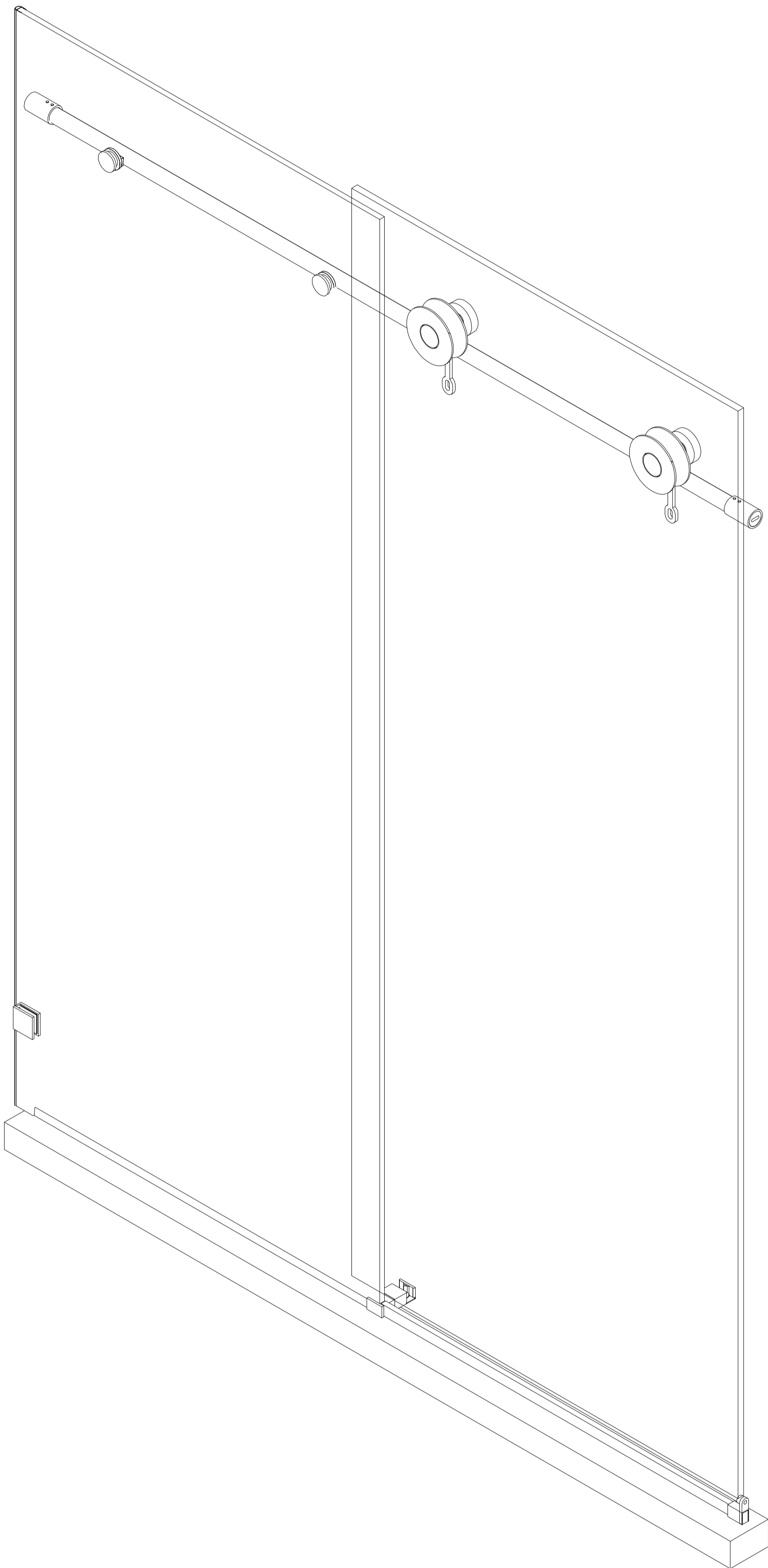


Choose the appropriate diagram below to assemble your shower door

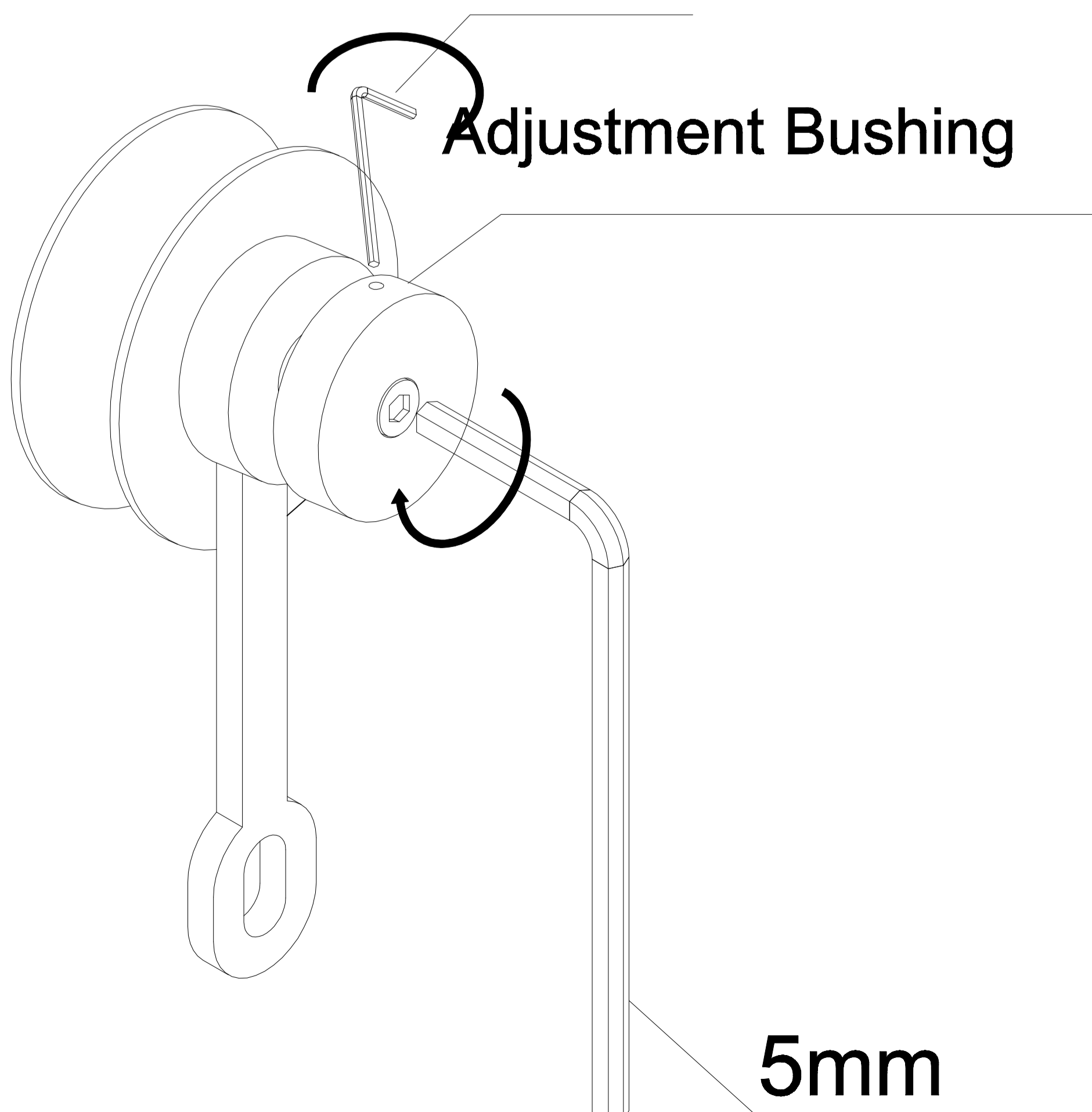
## Left Hand Assembly

### STEP 8-2

1. Use 2.5mm Allen wrench to rotate the eccentric shaft of the roller, adjust the height of the active panel.
2. Use 5mm Allen wrench to tight the roller.



2.5mm

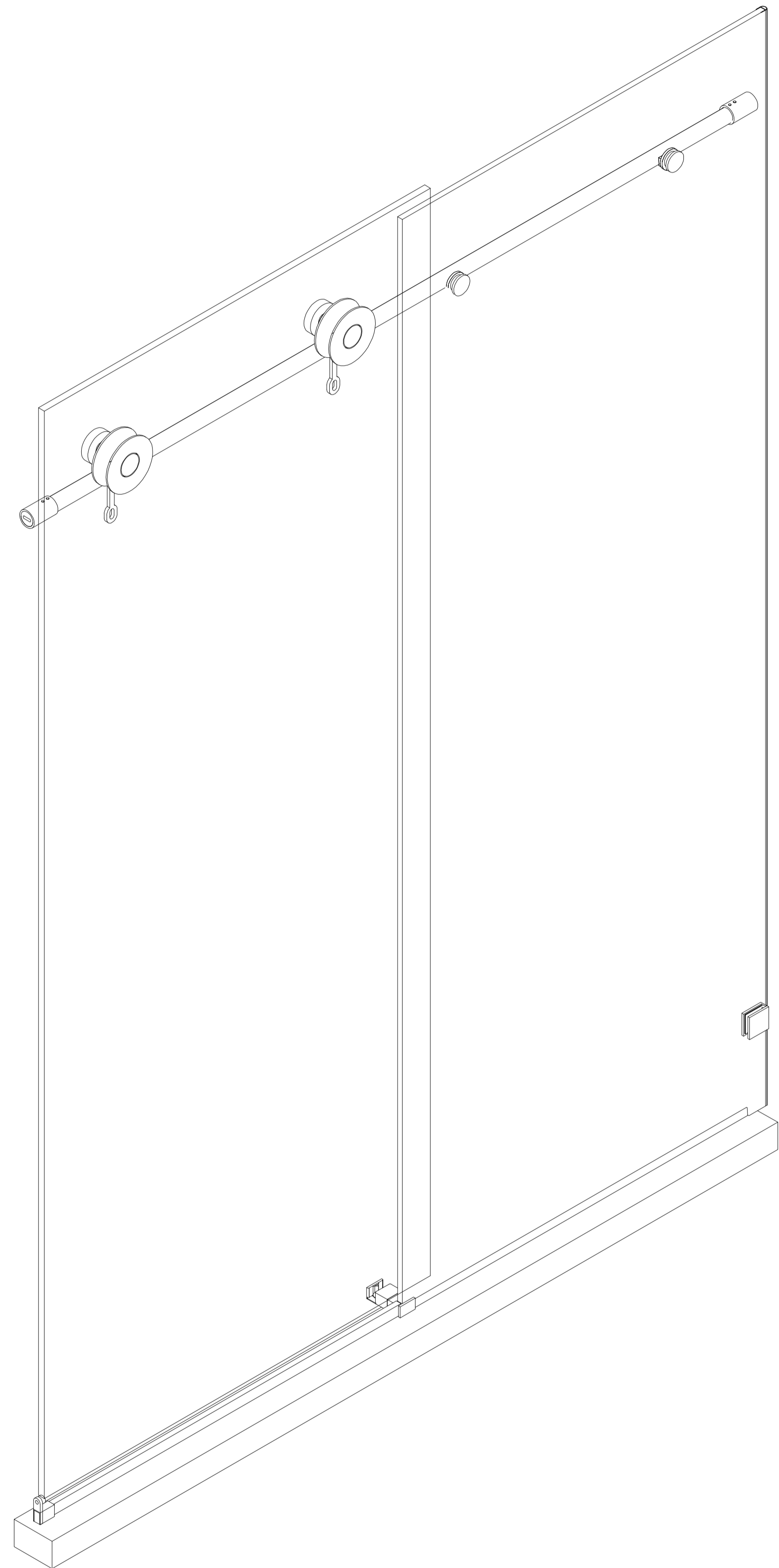


5mm

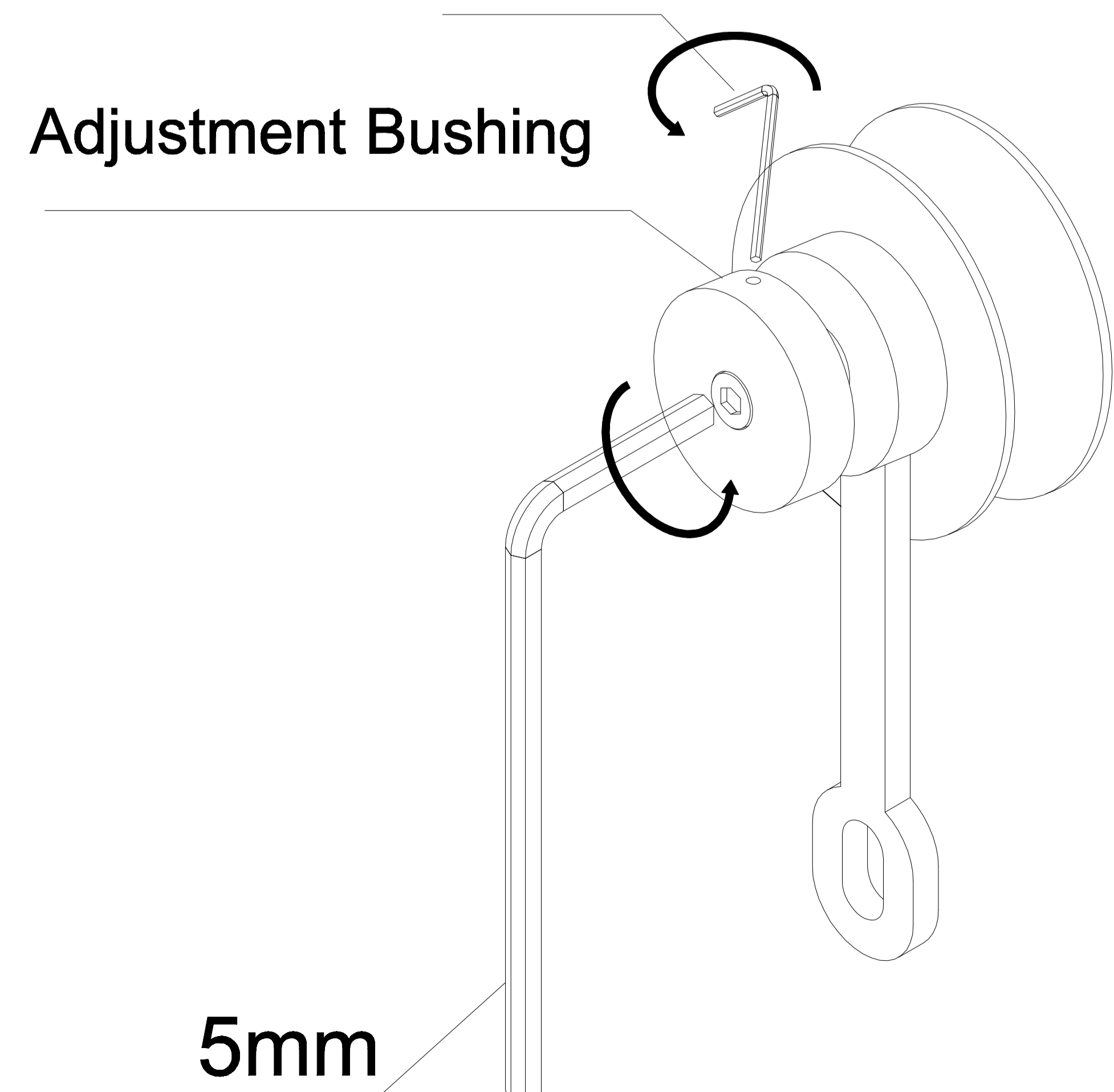
## Right Hand Assembly

### STEP 8-2

1. Use 2.5mm Allen wrench to rotate the eccentric shaft of the roller, adjust the height of the active panel.
2. Use 5mm Allen wrench to tight the roller.



2.5mm



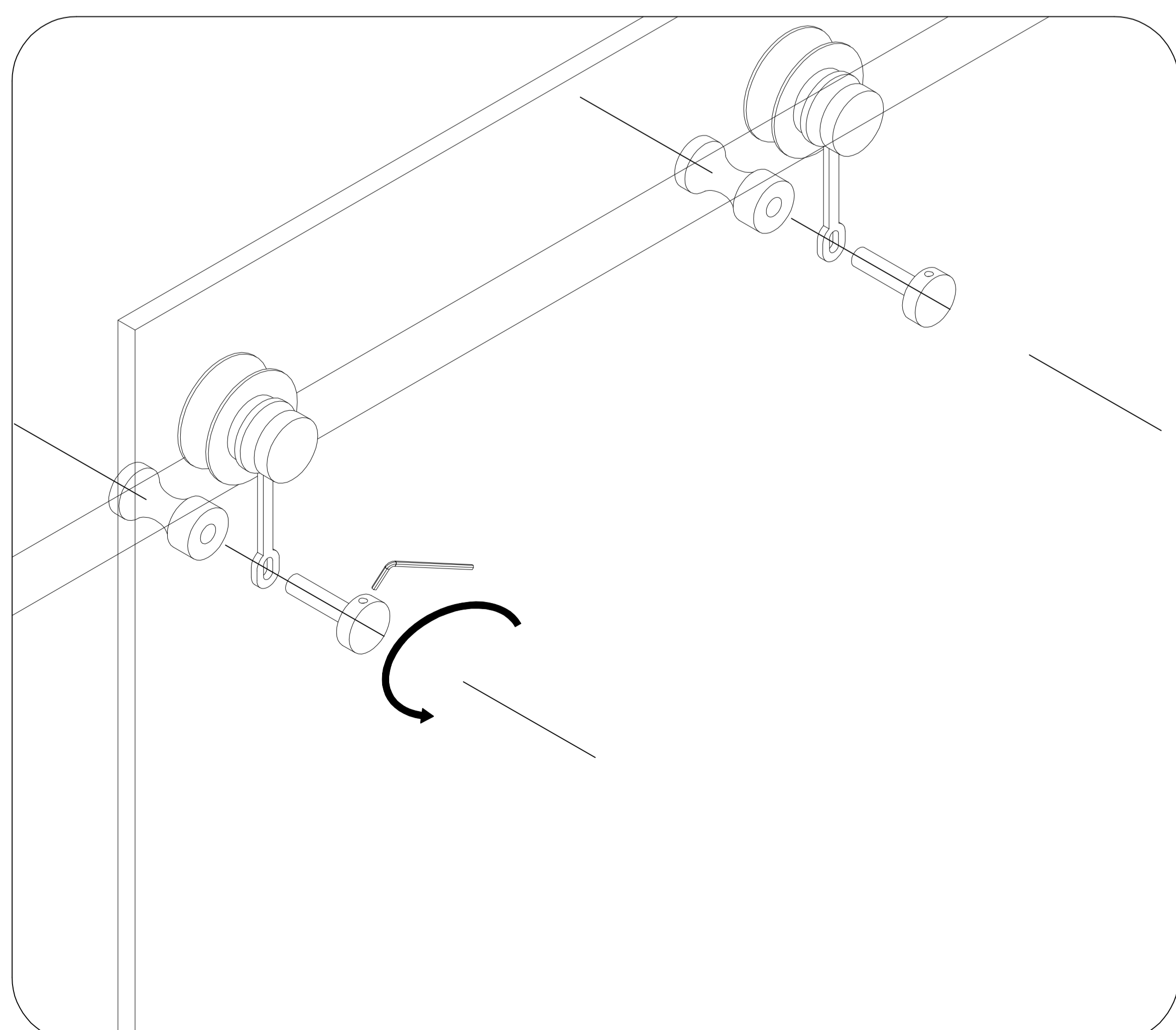
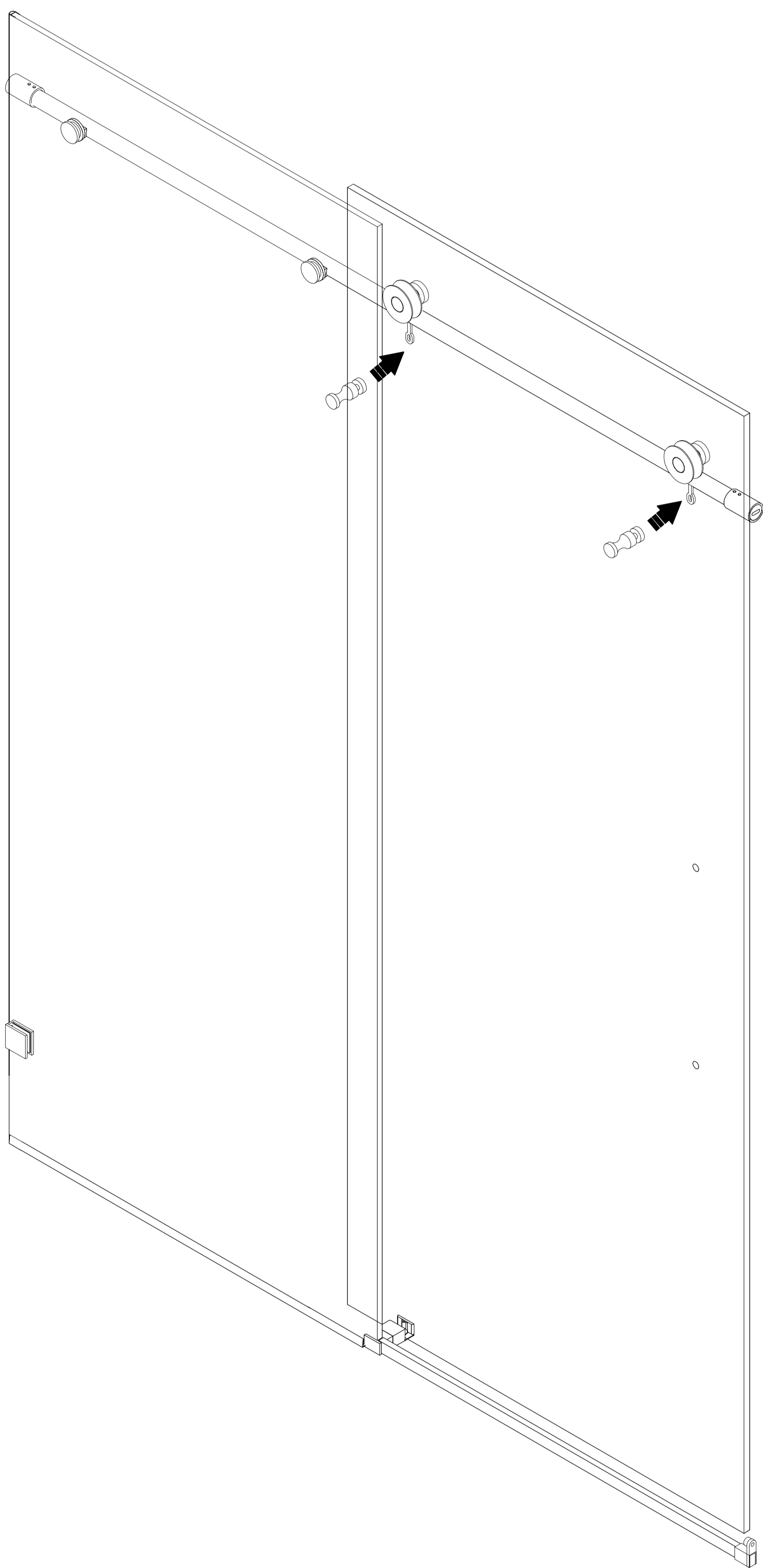
5mm

Choose the appropriate diagram below to assemble your shower door

## Left Hand Assembly

### STEP 8-3

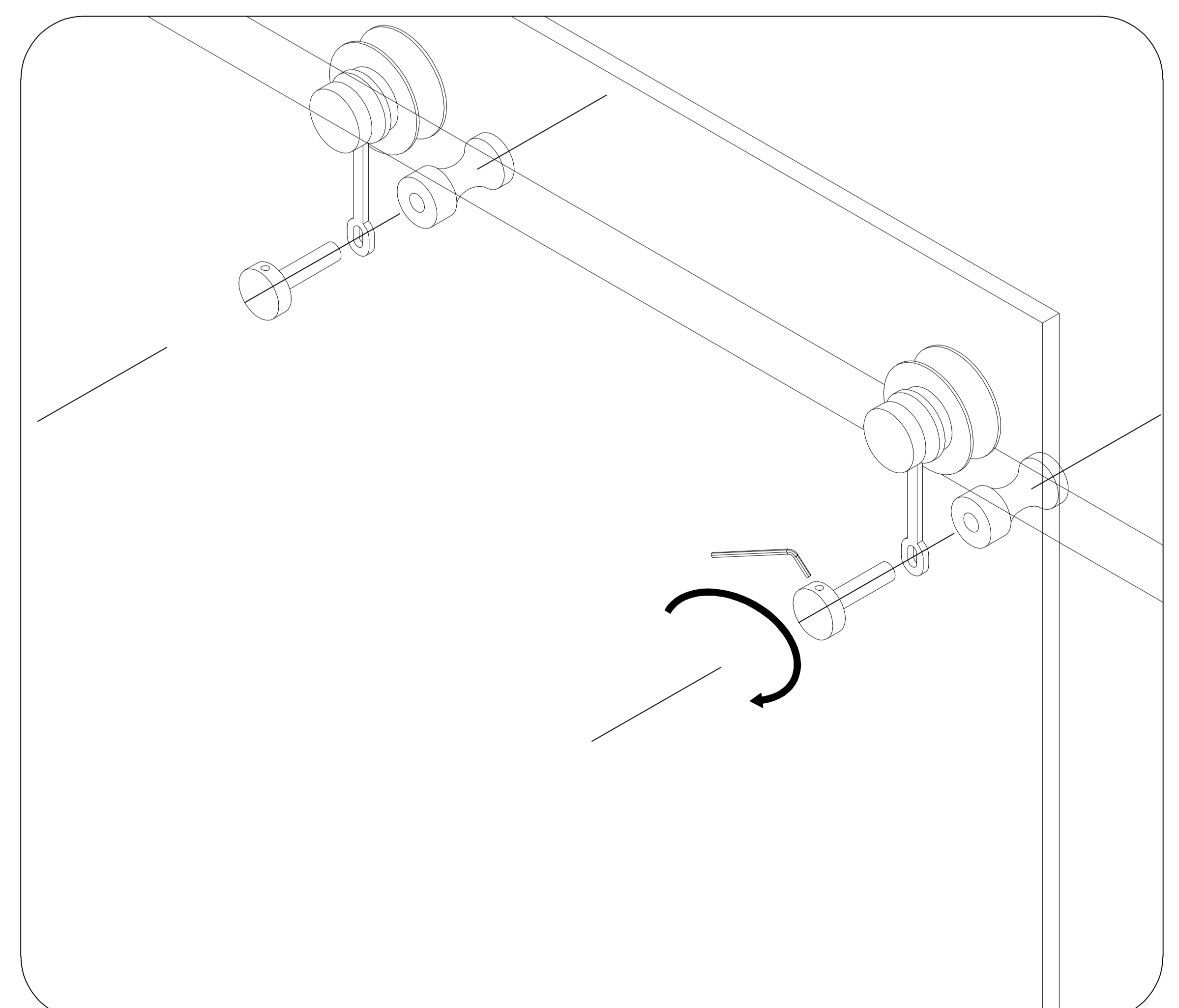
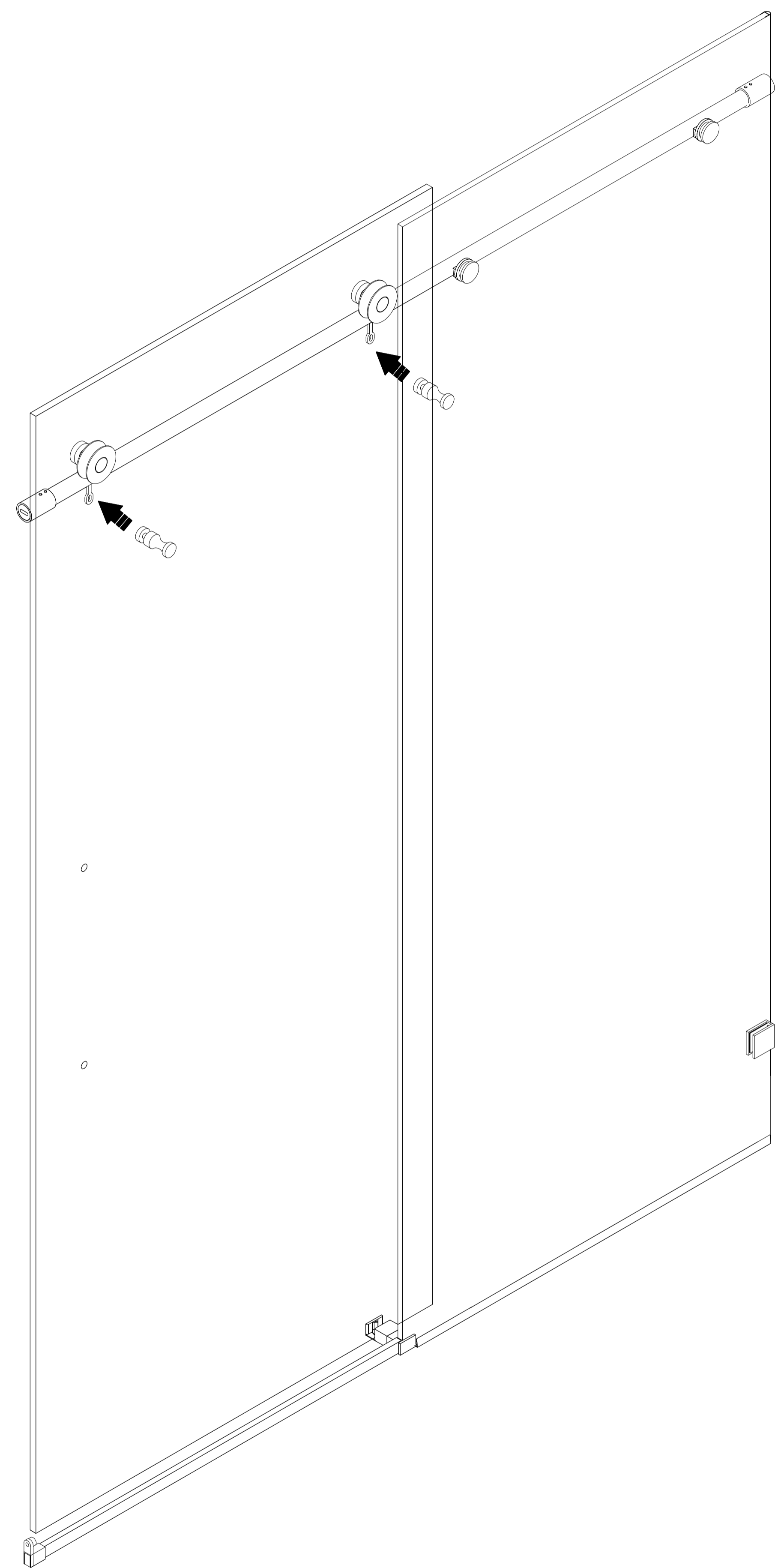
1. Install the Anti-Jumper (8) outside the active panel.
2. Use 2.5mm Allen wrench to tight inside.



## Right Hand Assembly

### STEP 8-3

1. Install the Anti-Jumper (8) outside the active panel.
2. Use 2.5mm Allen wrench to tight inside.

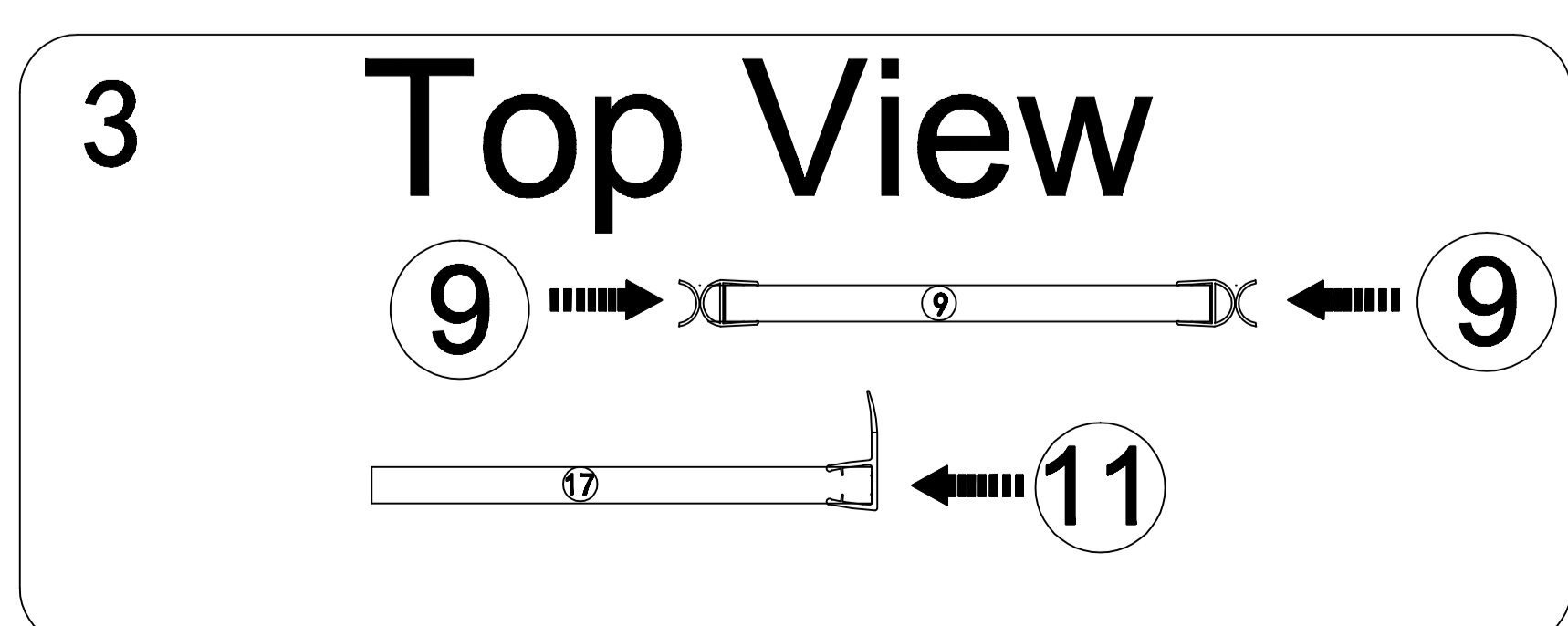
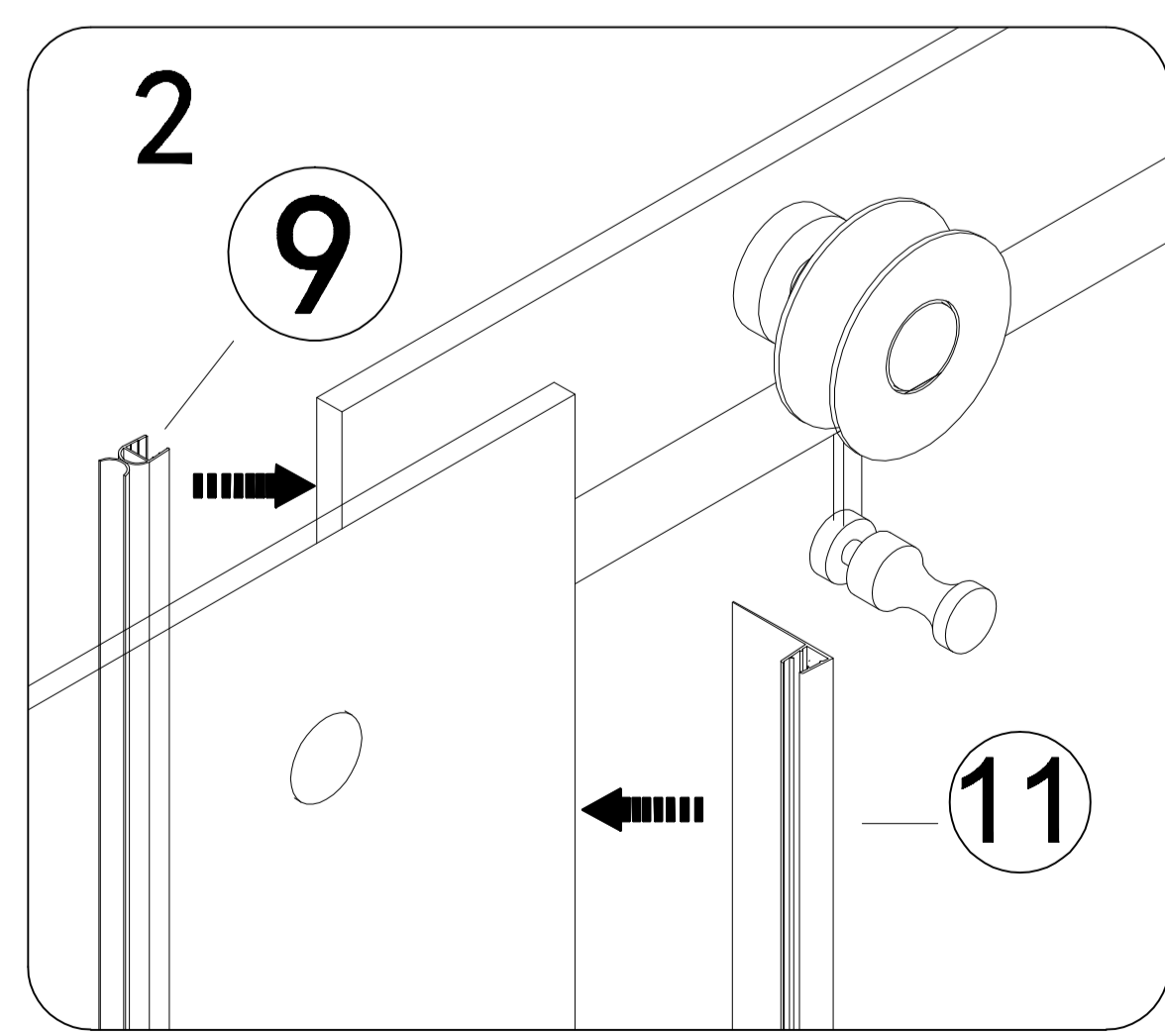
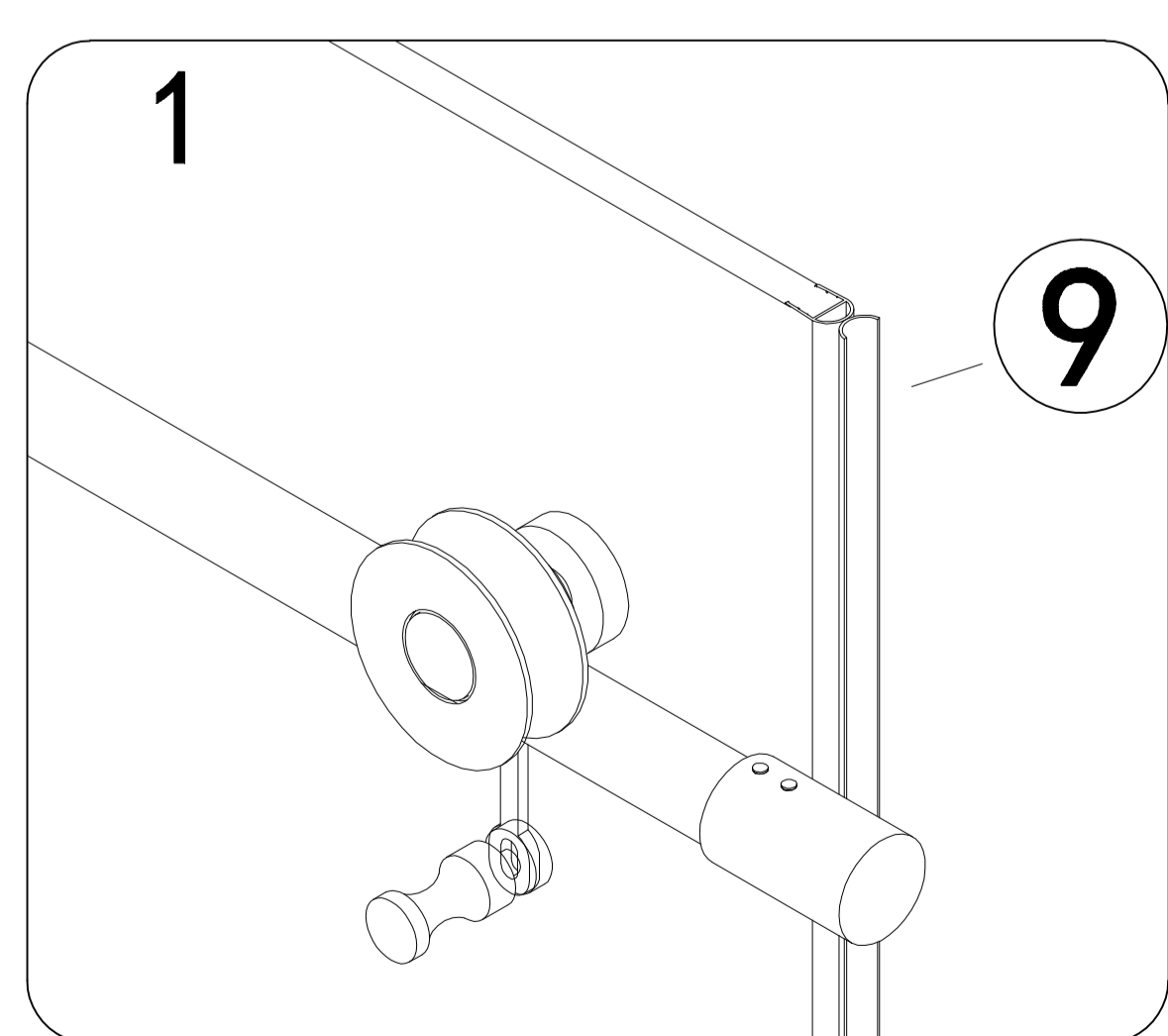
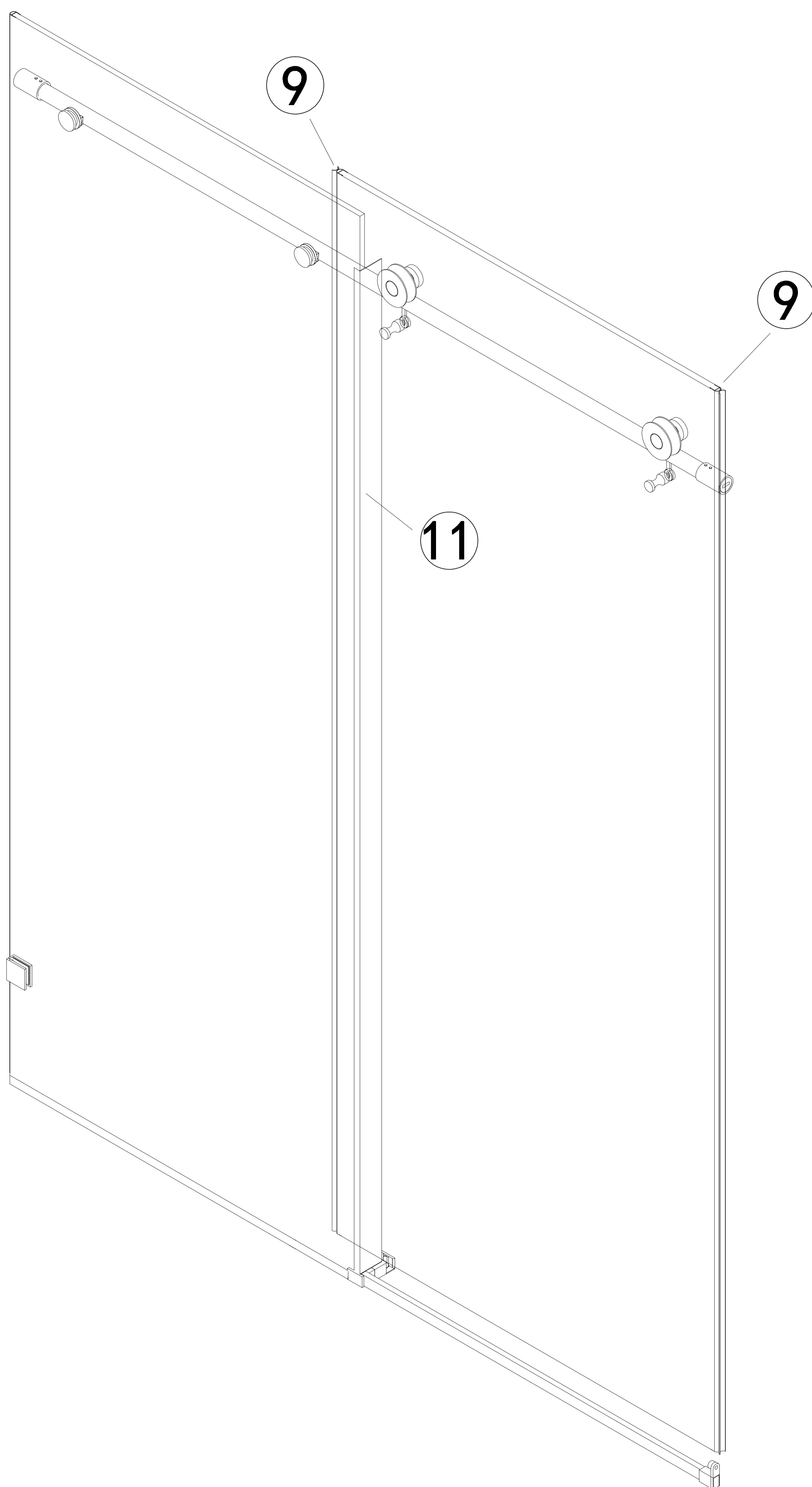


Choose the appropriate diagram below to assemble your shower door

## Left Hand Assembly

### STEP 9-1

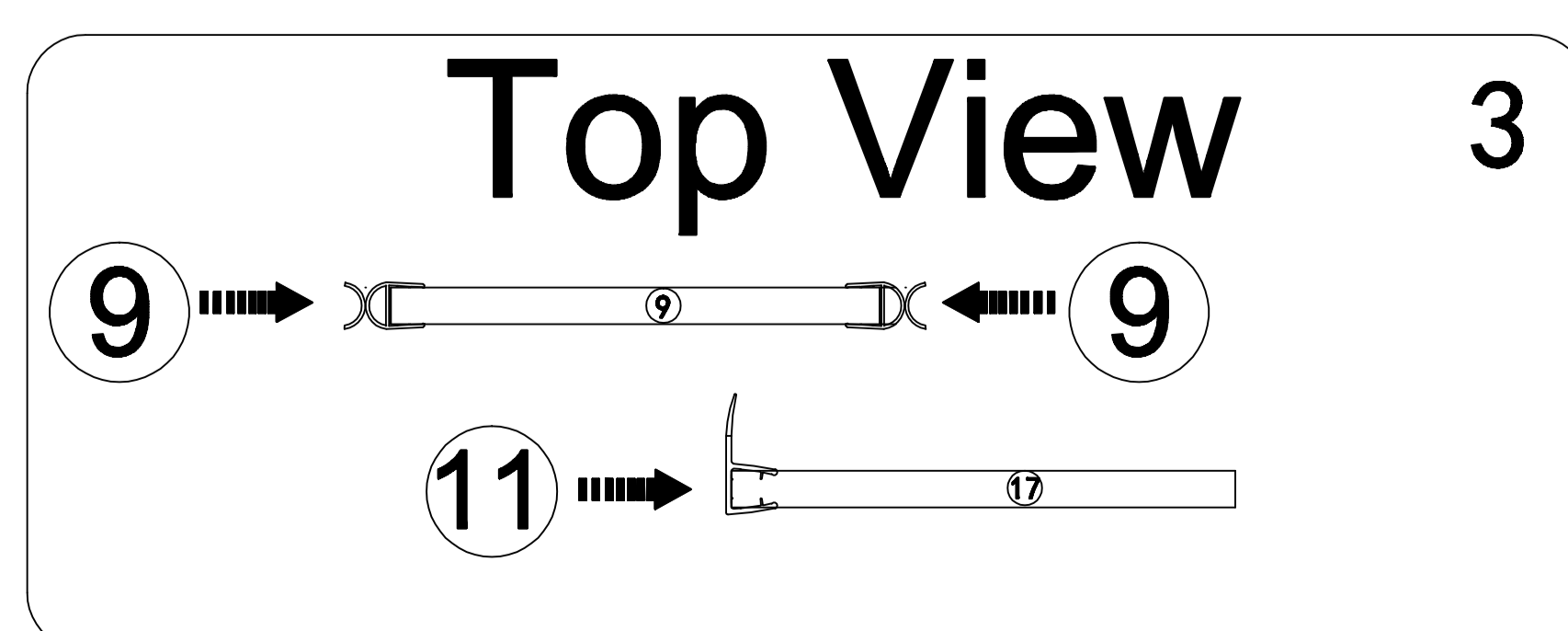
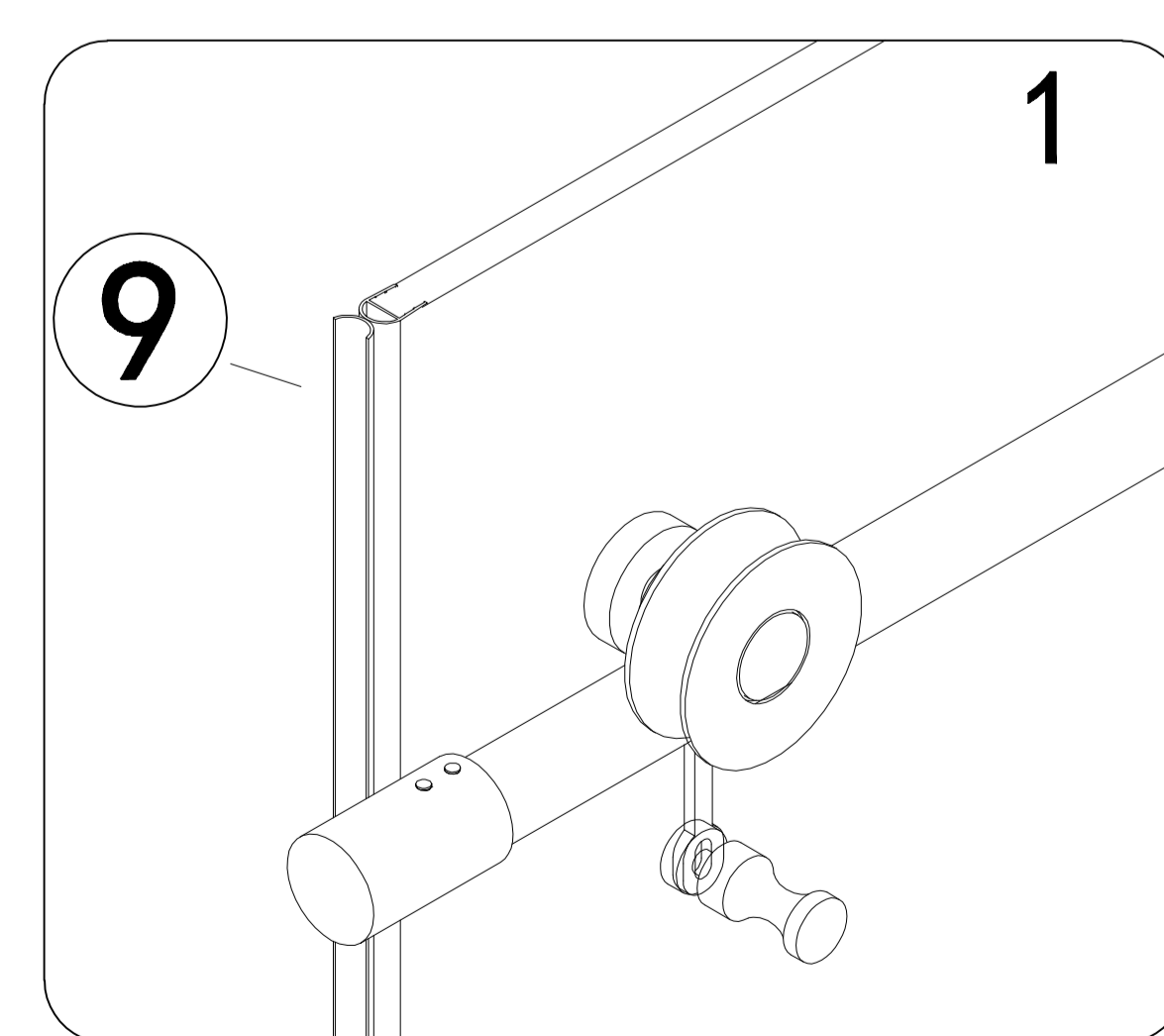
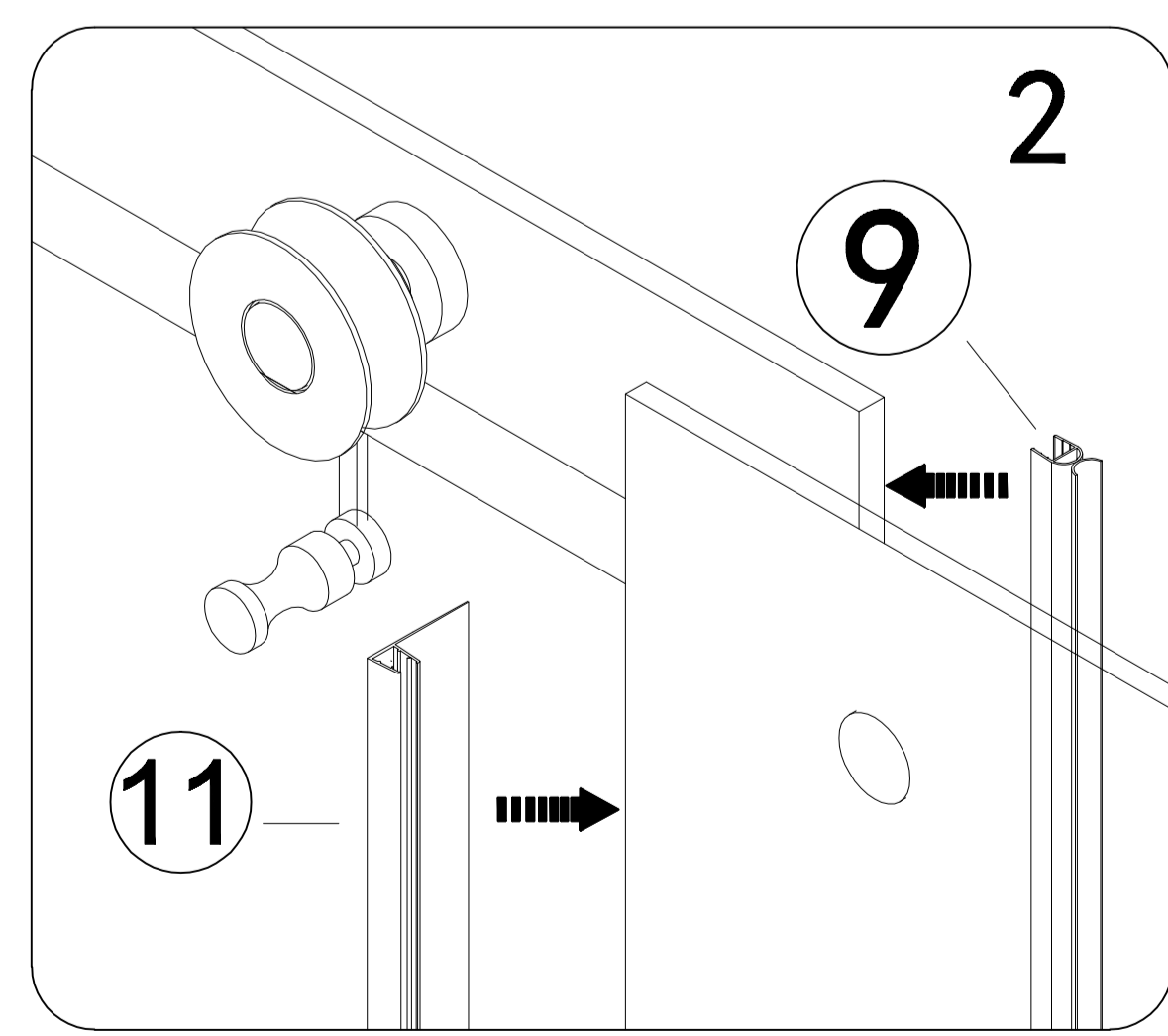
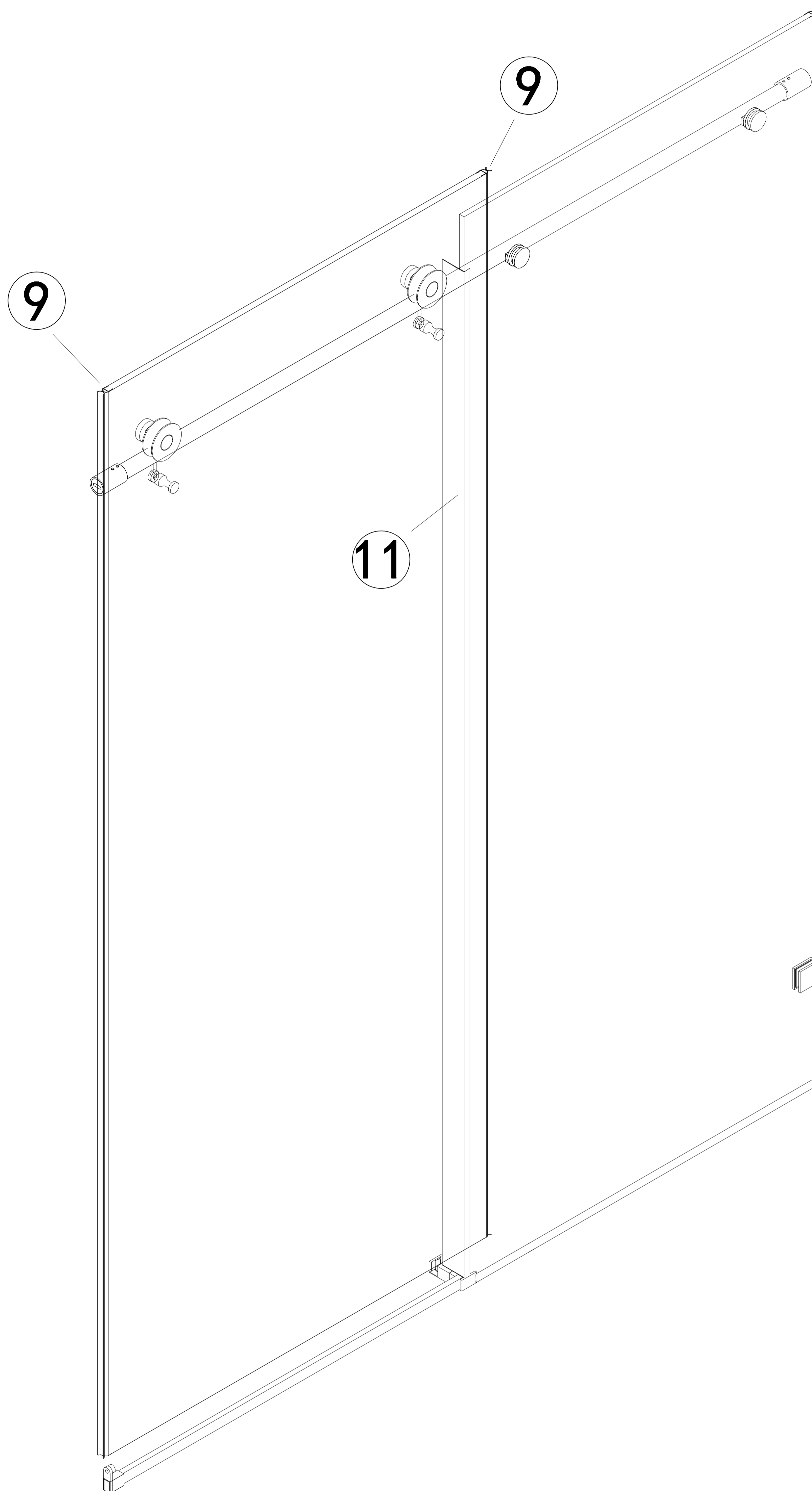
Install the Bumper Strip (9) and Water-Retaining Gasket (11).



## Right Hand Assembly

### STEP 9-1

Install the Bumper Strip (9) and Water-Retaining Gasket (11).

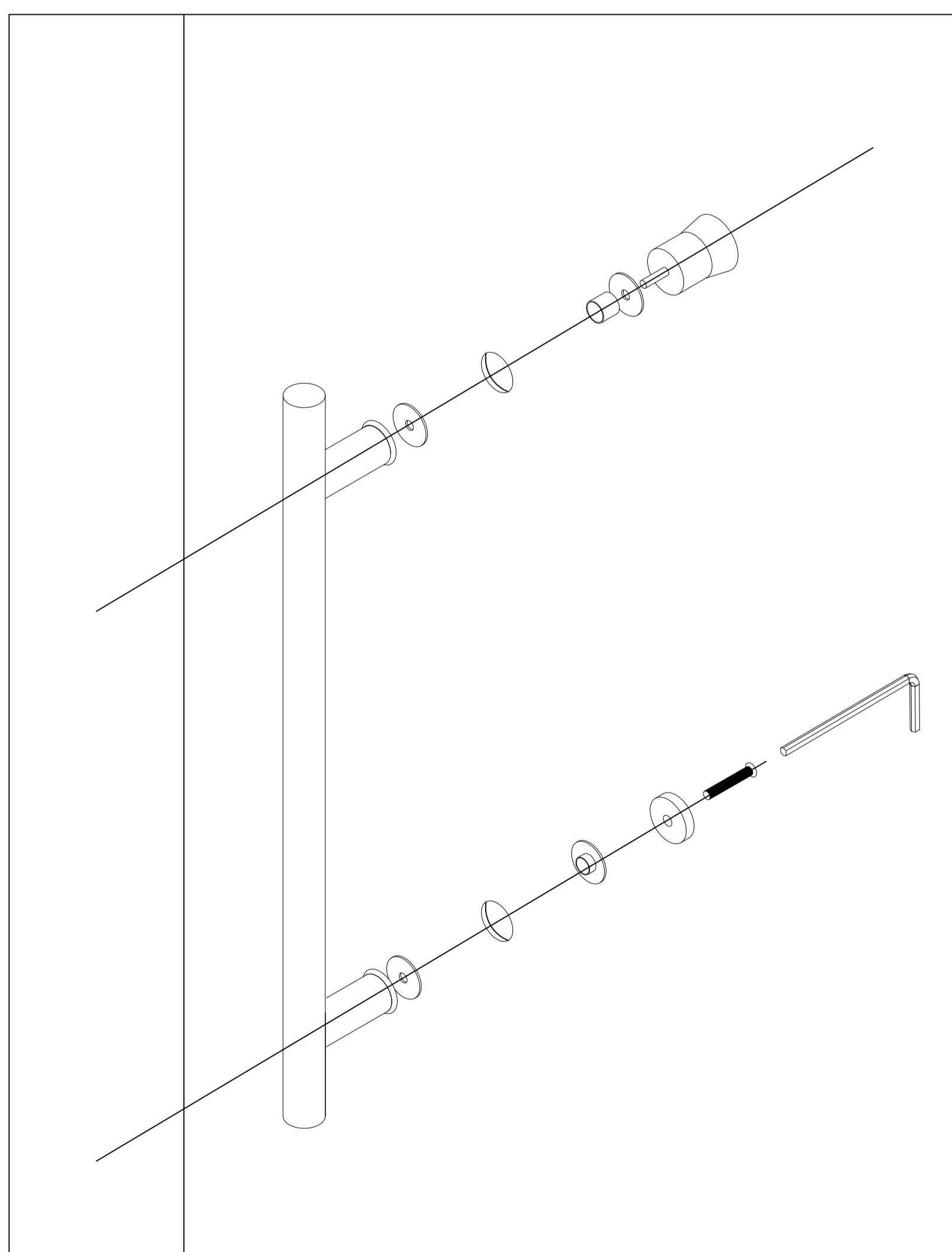
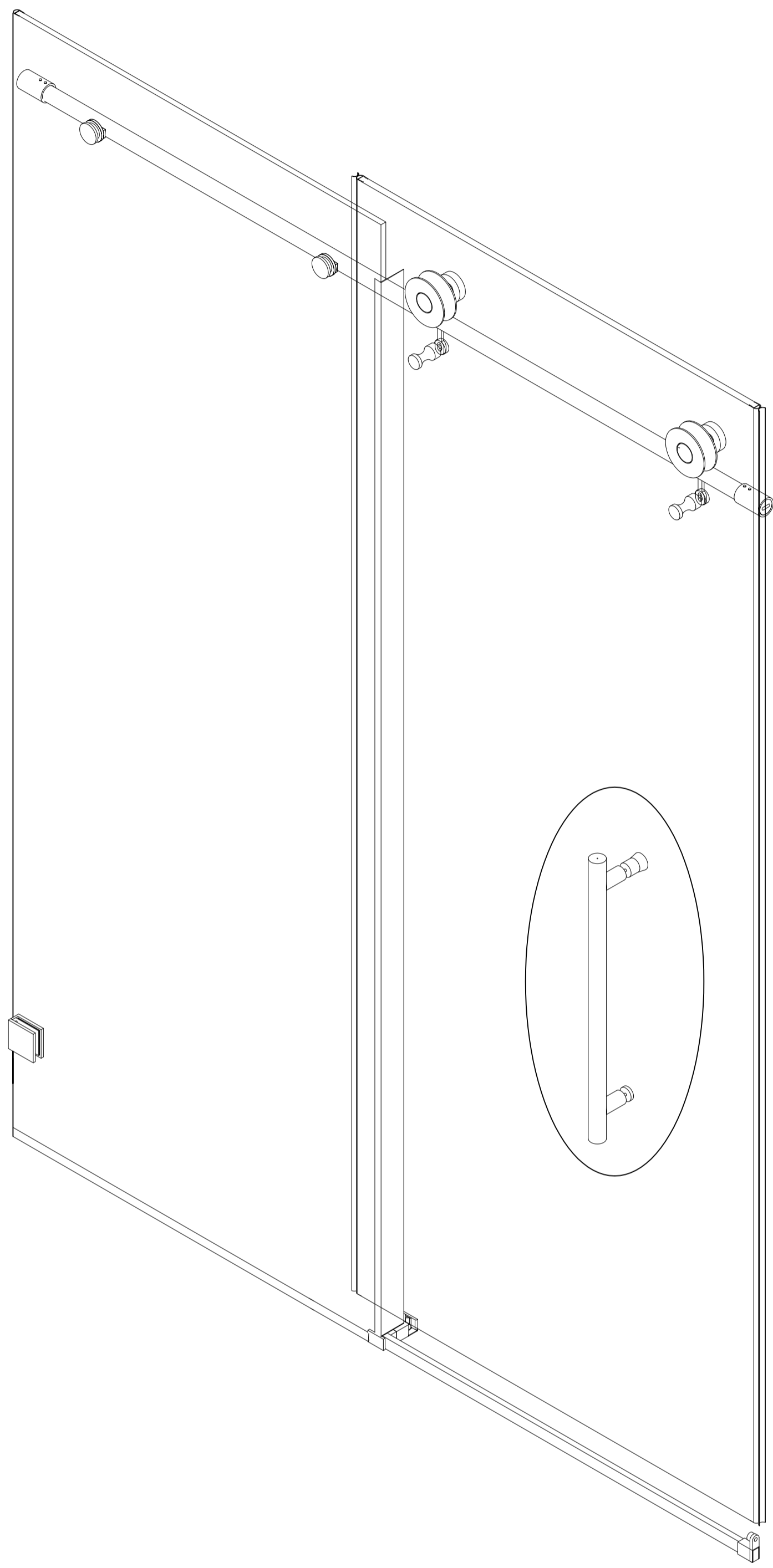


Choose the appropriate diagram below to assemble your shower door

### Left Hand Assembly

#### STEP 9-2

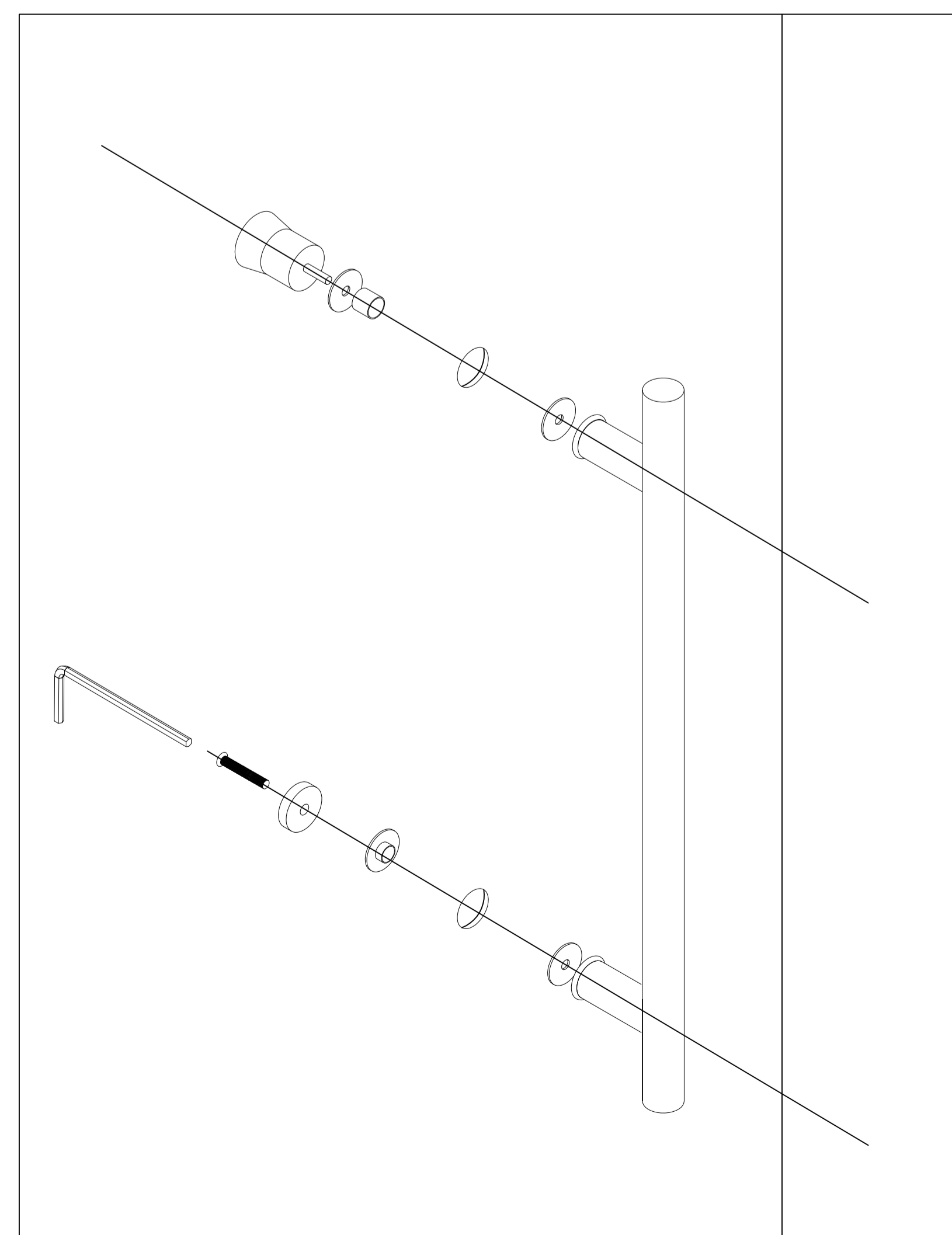
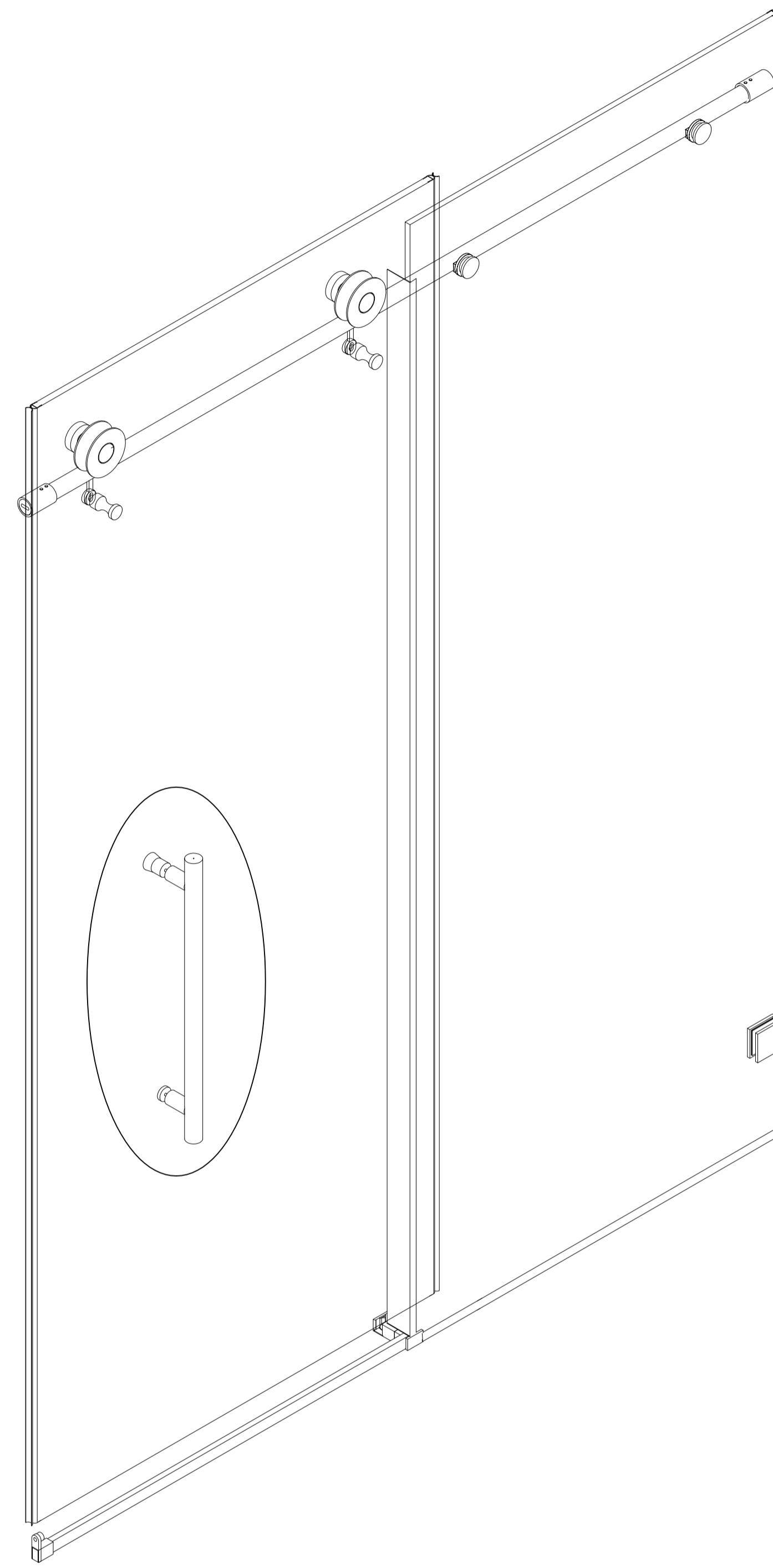
1. Install the Handle ⑫.
2. Use 4mm Allen wrench to tight.



### Right Hand Assembly

#### STEP 9-2

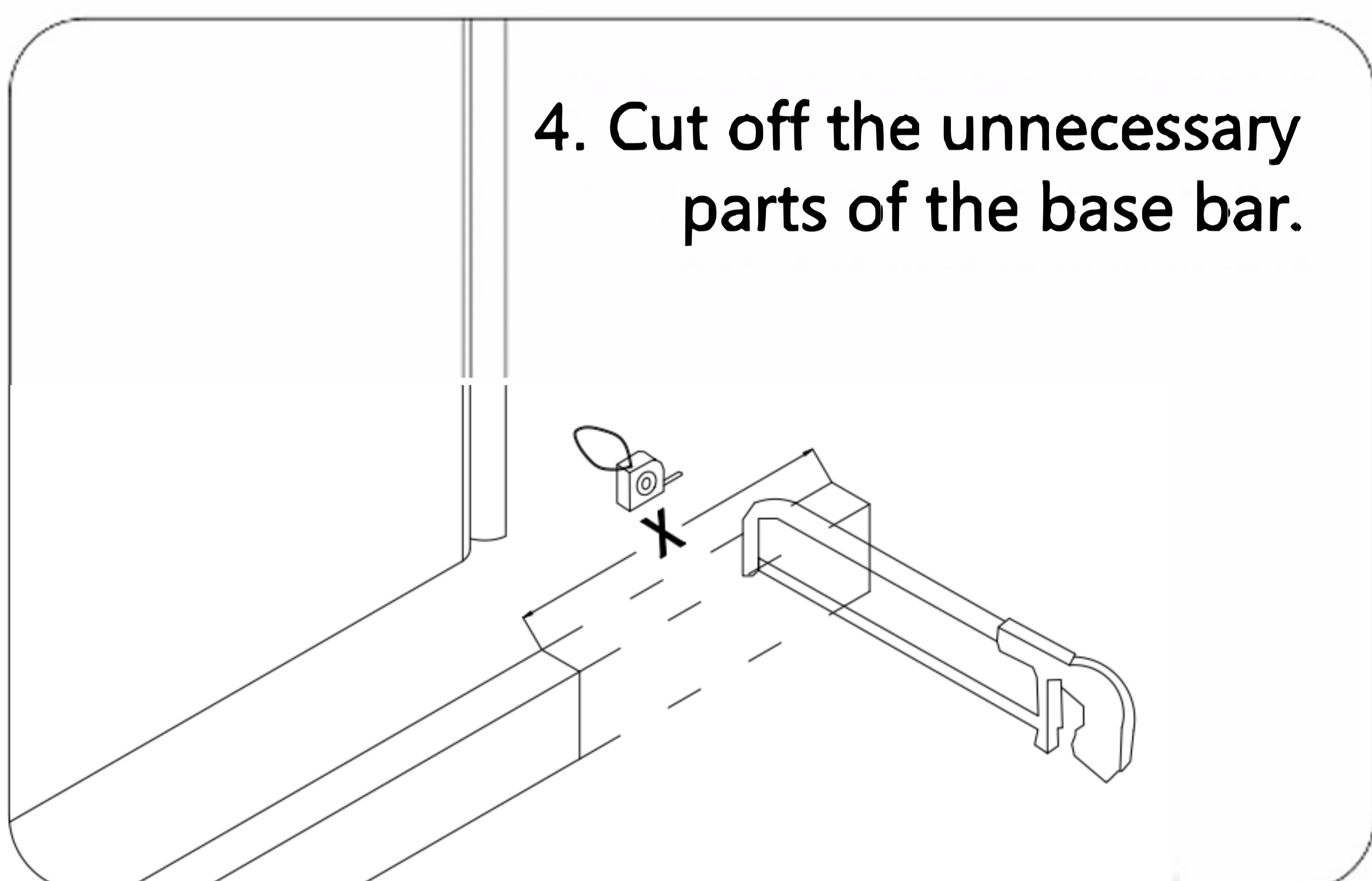
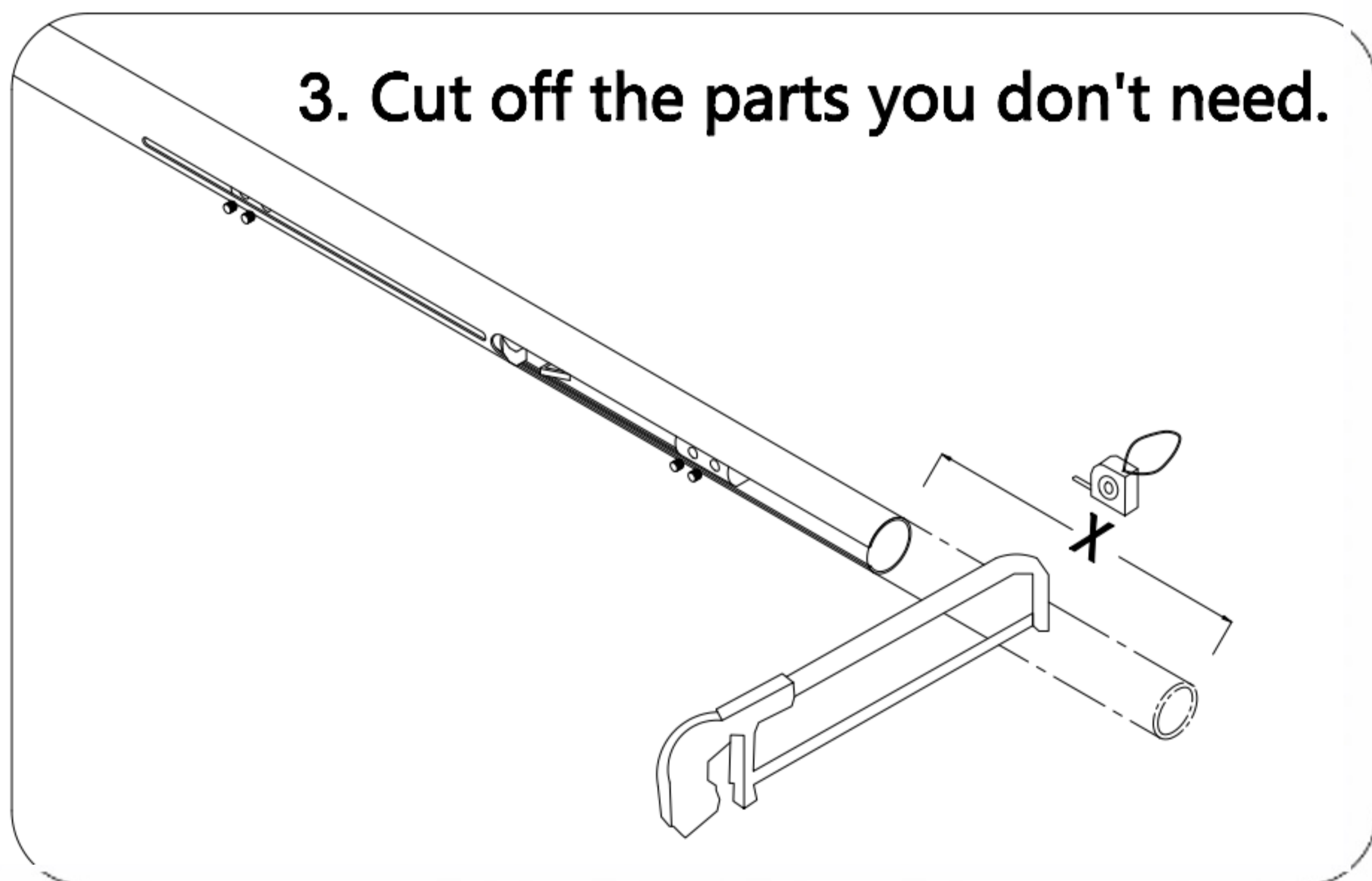
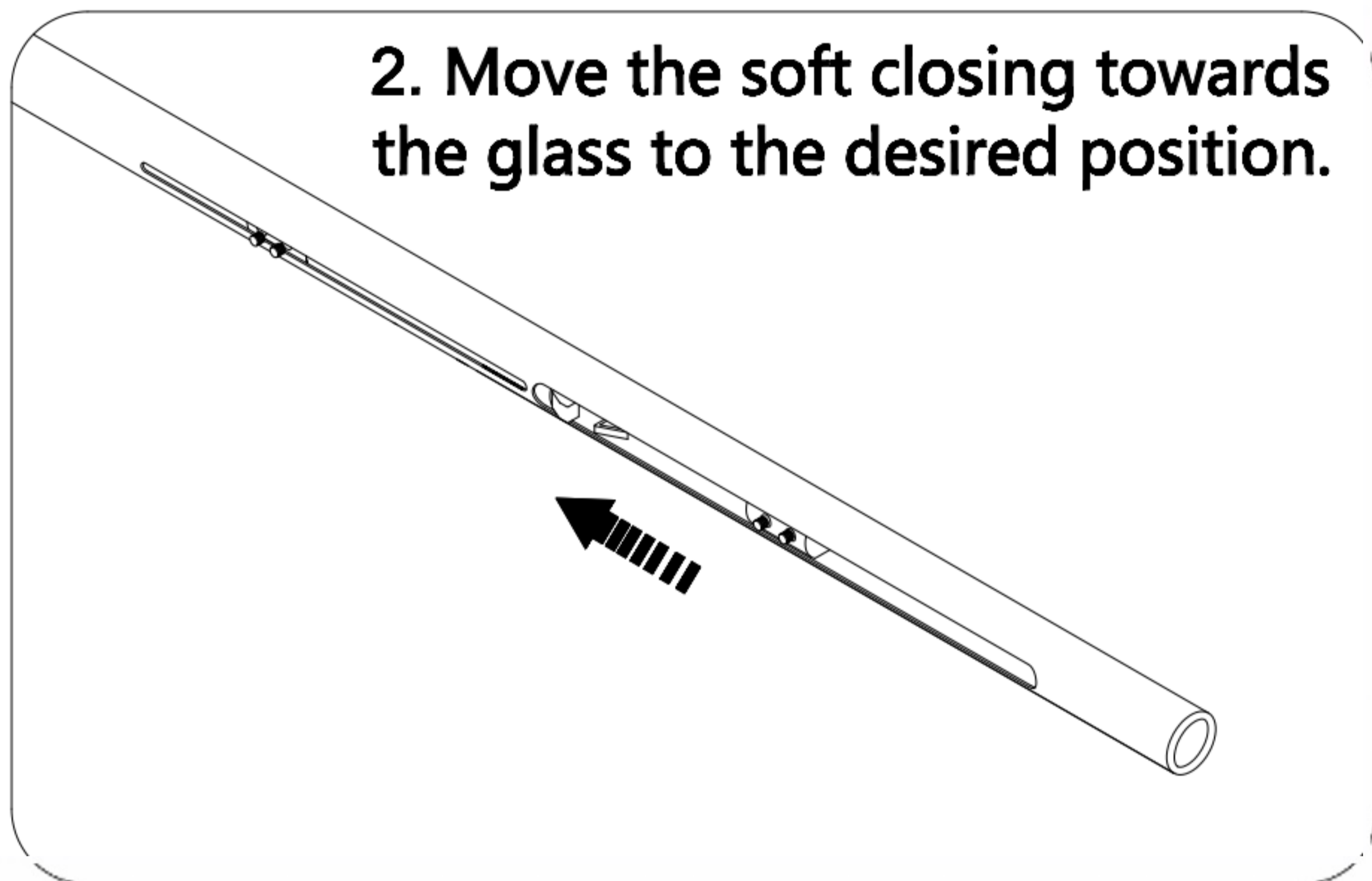
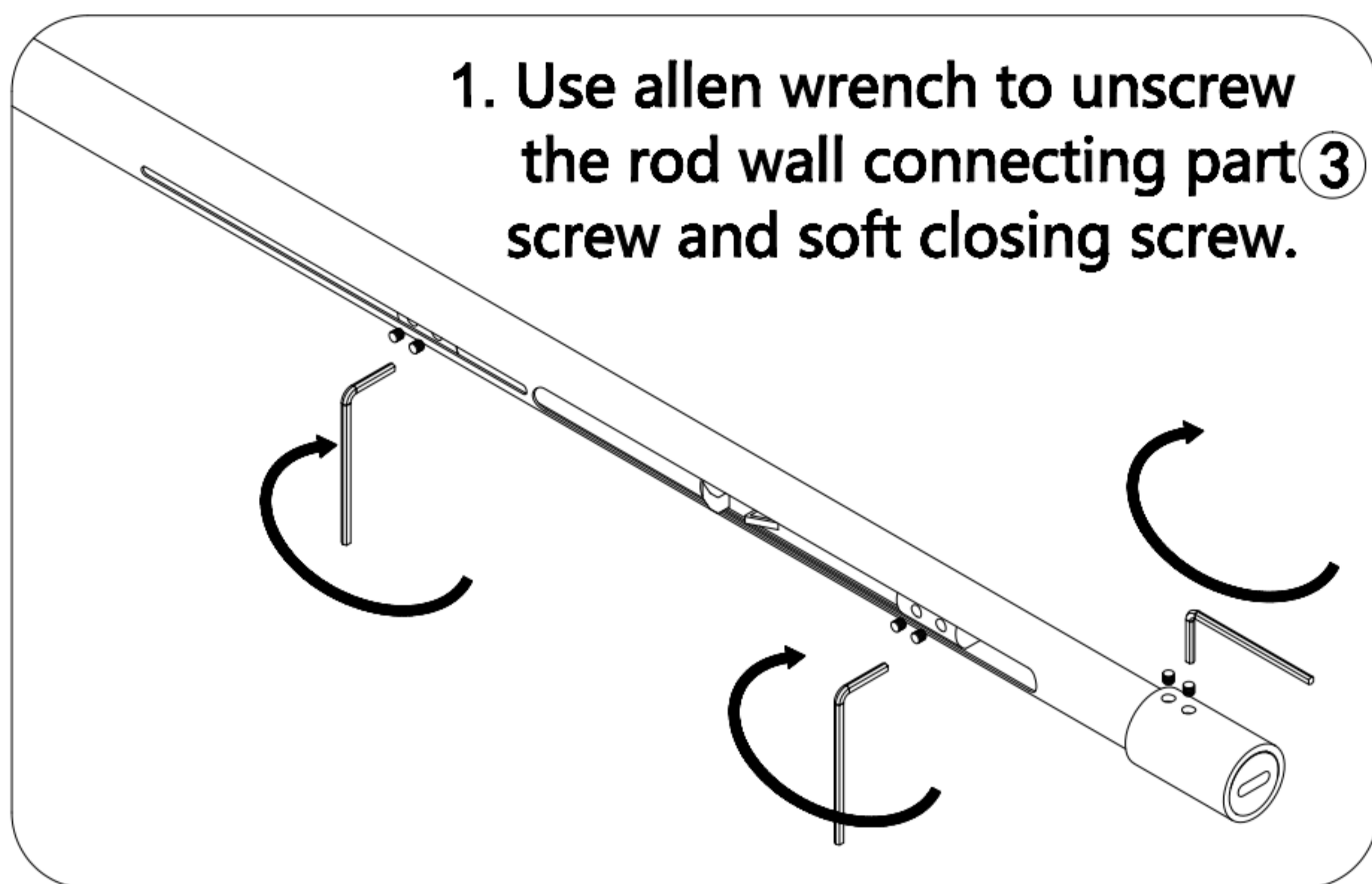
1. Install the Handle ⑫.
2. Use 4mm Allen wrench to tight.



Choose the appropriate diagram below to assemble your shower door

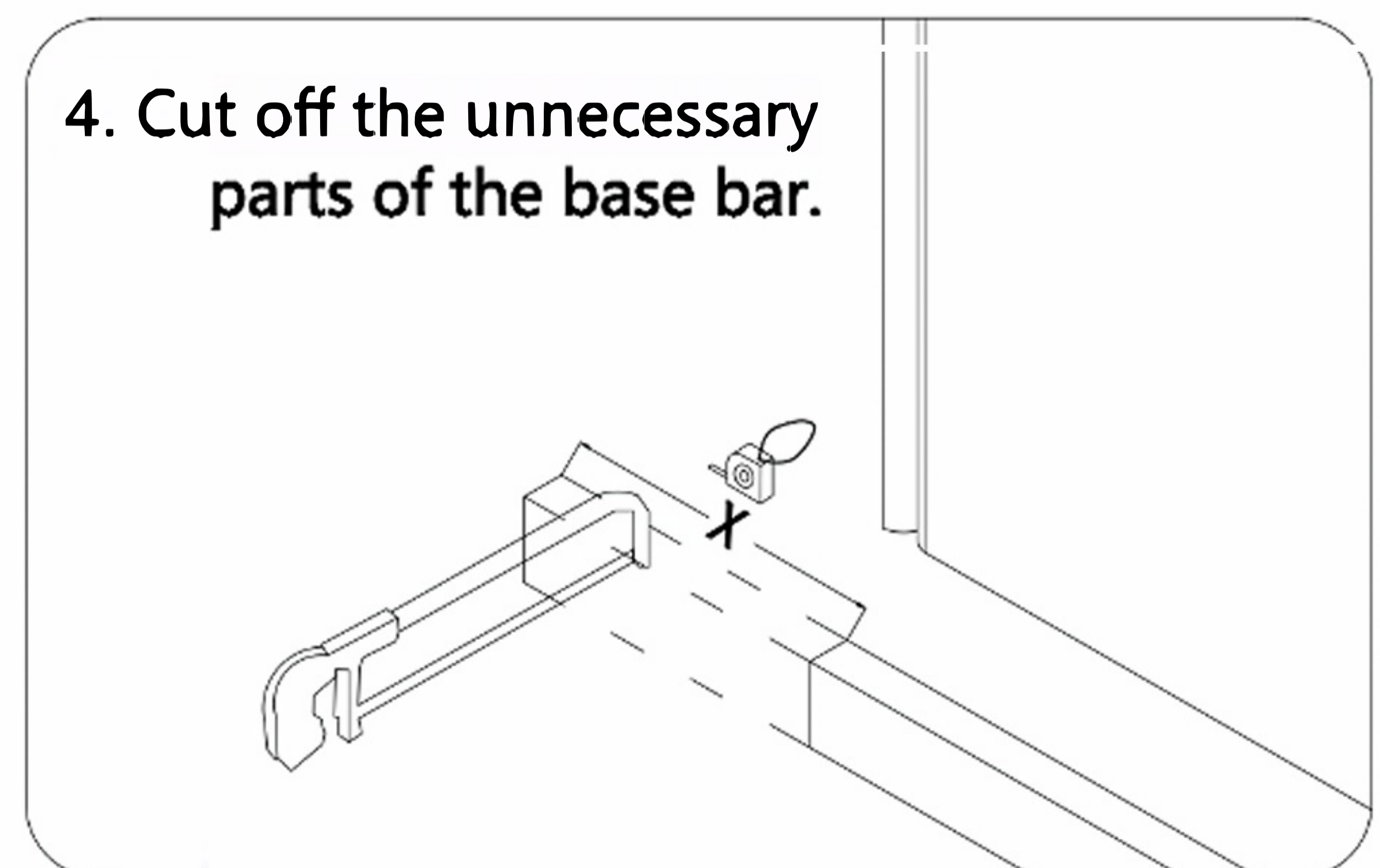
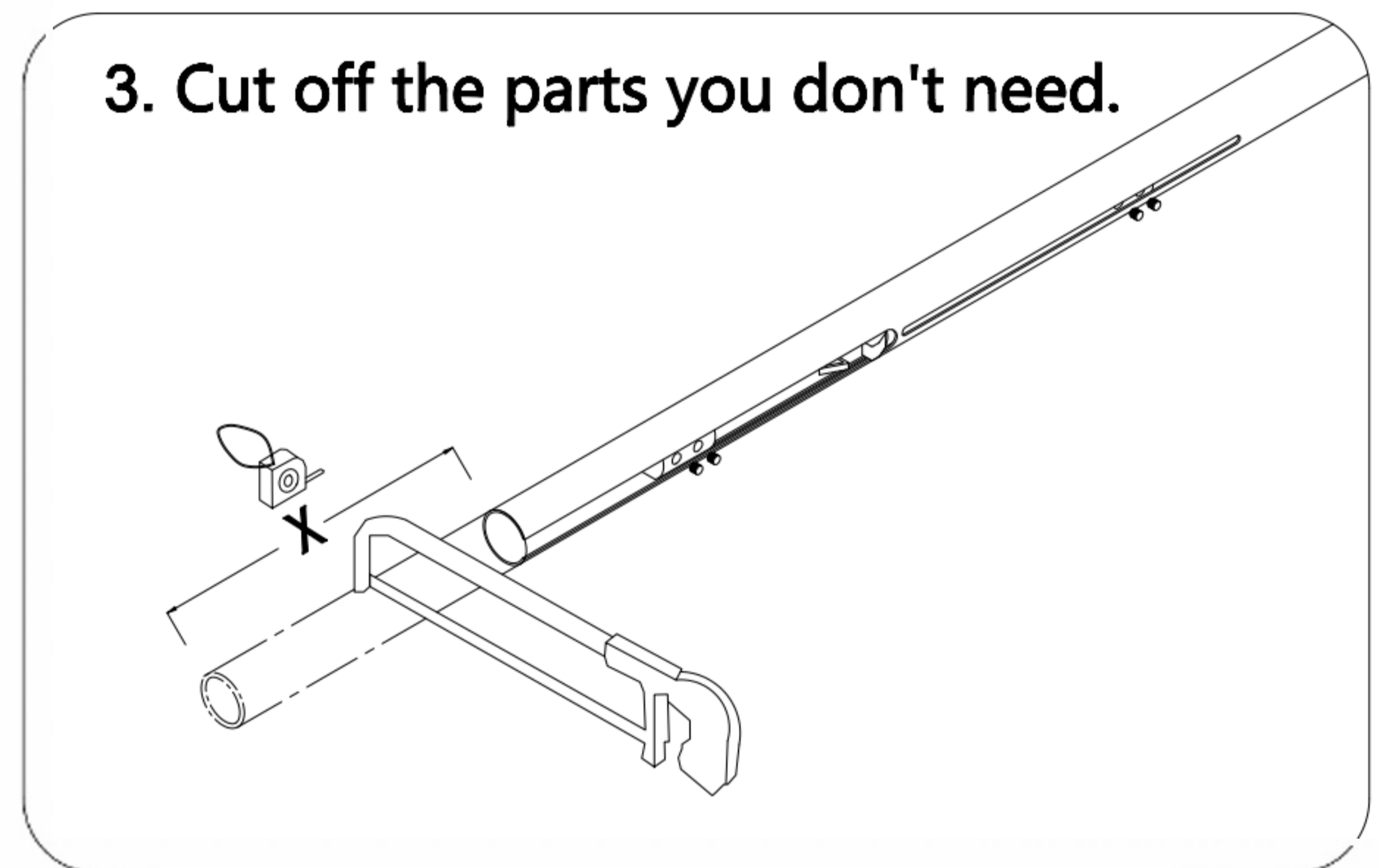
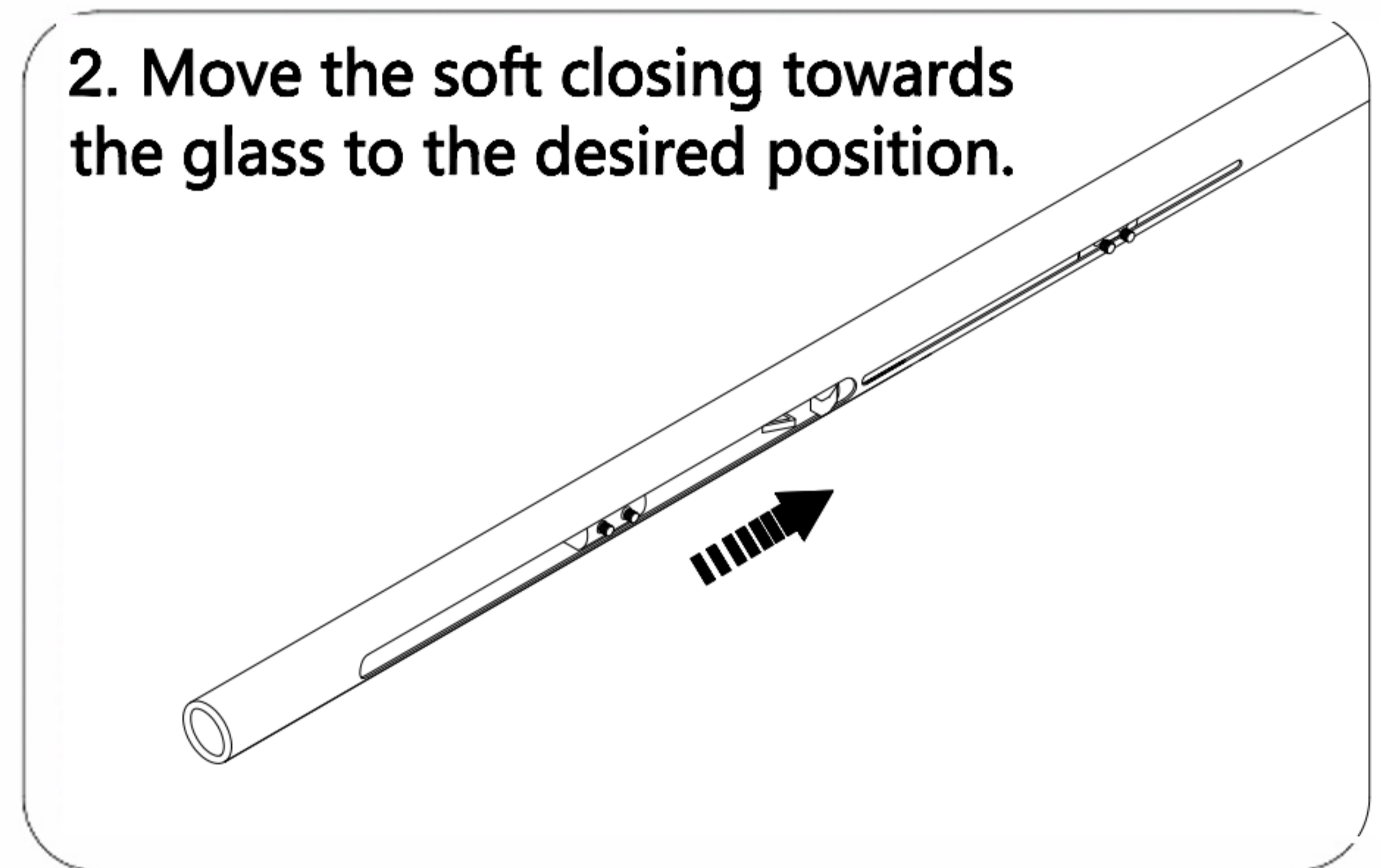
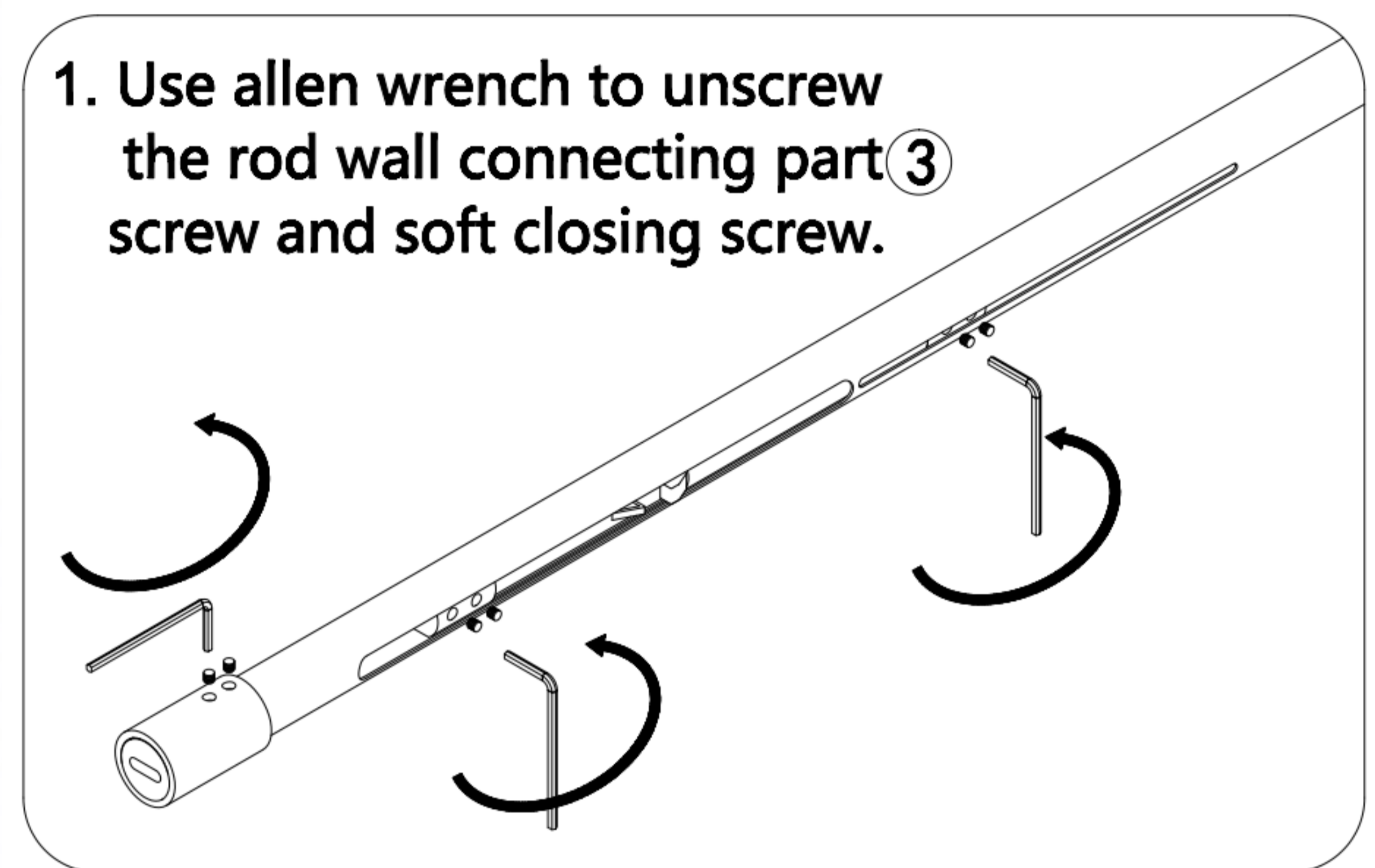
## Left Hand Assembly

1. Shower room can be reduced by 127mm (5 inches).



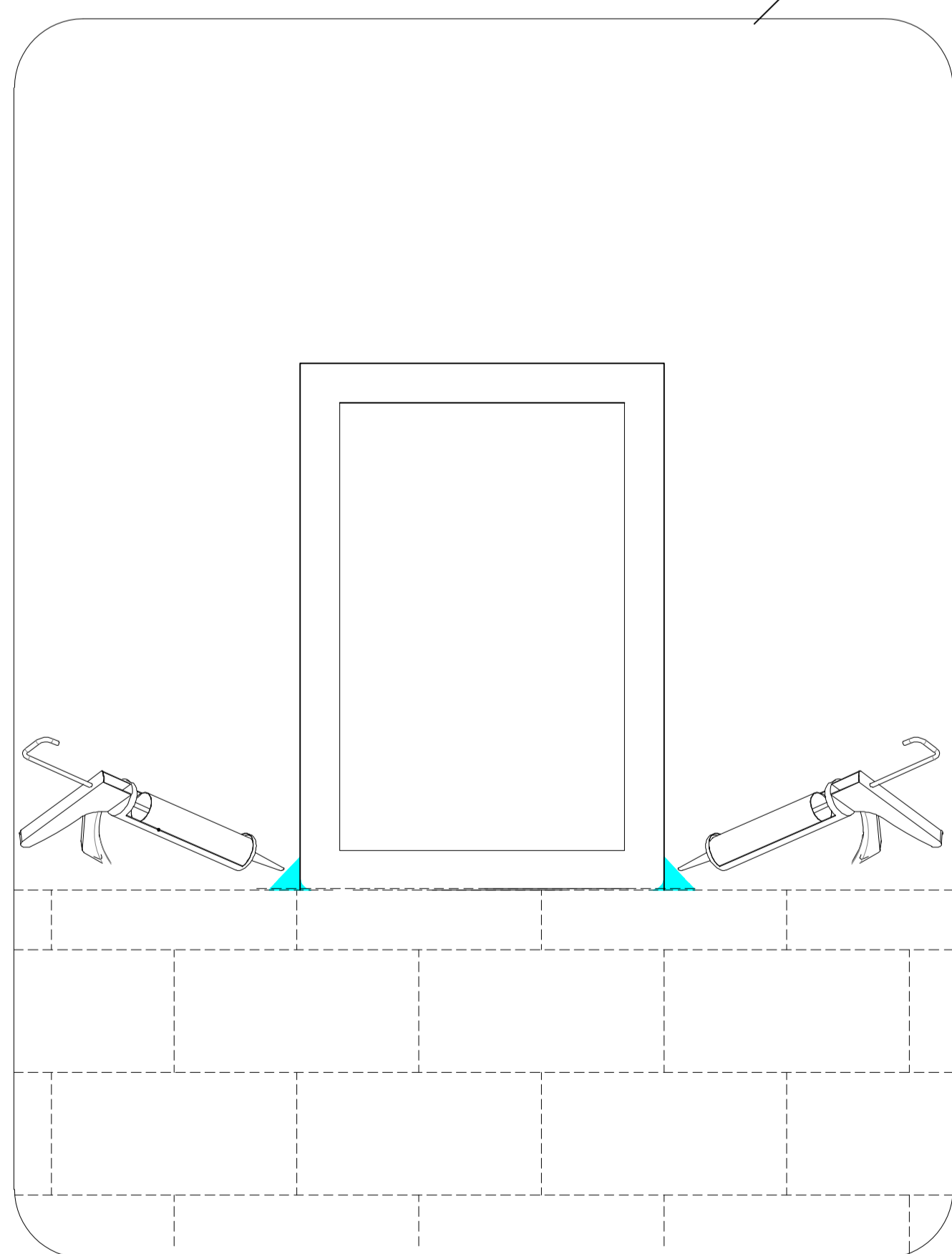
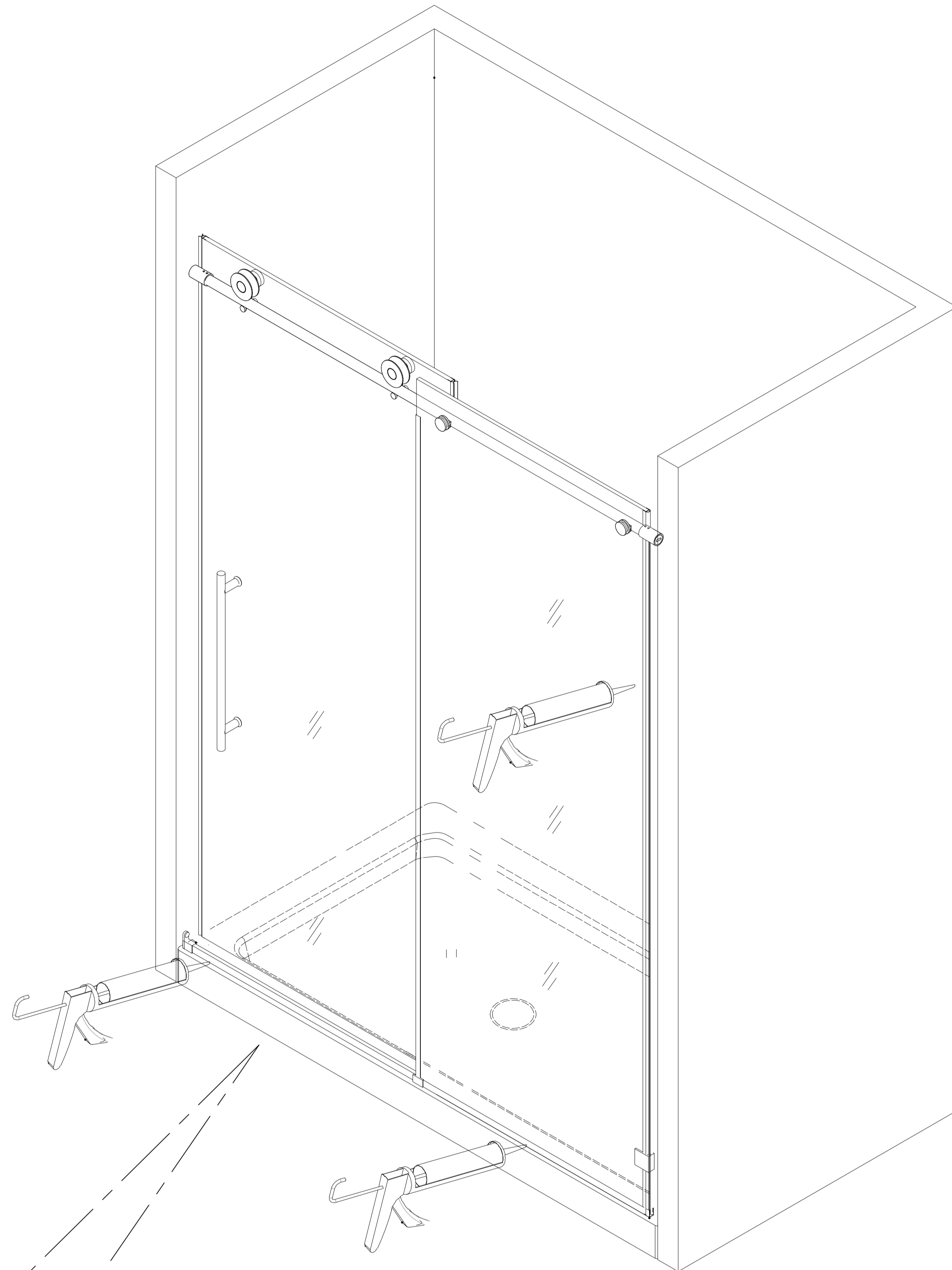
## Right Hand Assembly

1. Shower room can be reduced by 127mm (5 inches).

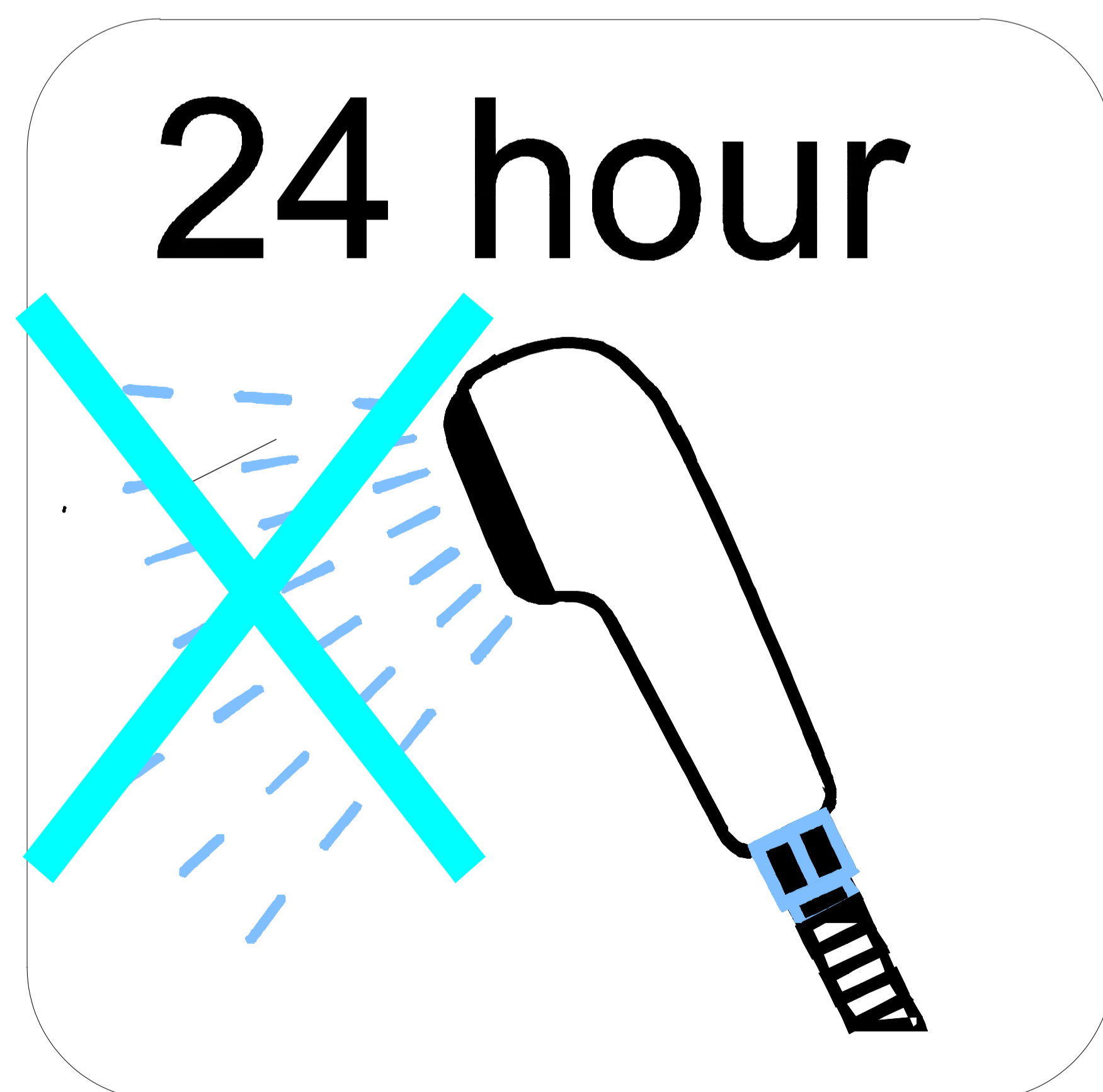


# SEALING

Apply glue to the bottom rubber strip of the fixed glass and water barrier strip, both inside and outside.



Apply glass glue on both sides of the bottom rail



Wait for the glass glue to dry for 24 hours before using the shower door