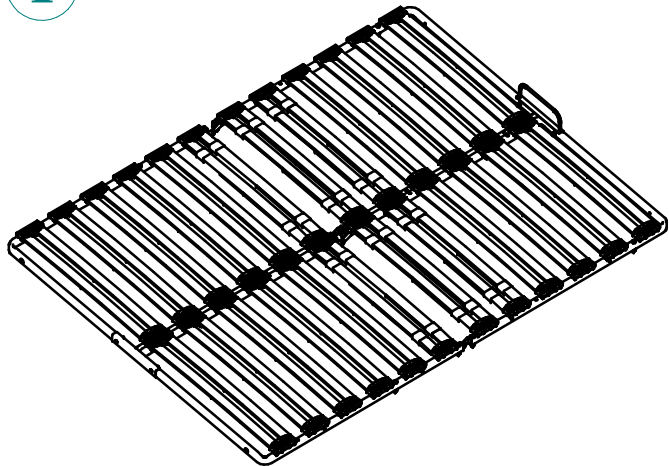
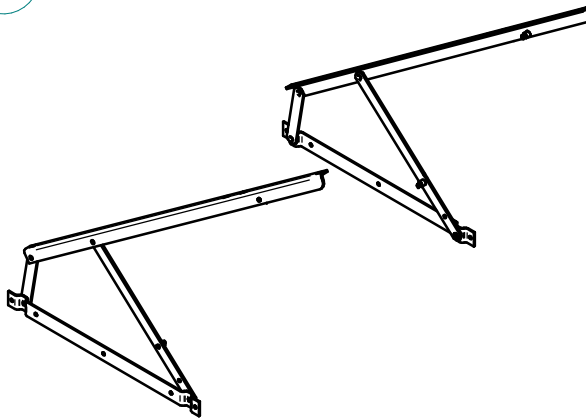


You will need two persons to assembly.
Supplied box contains:

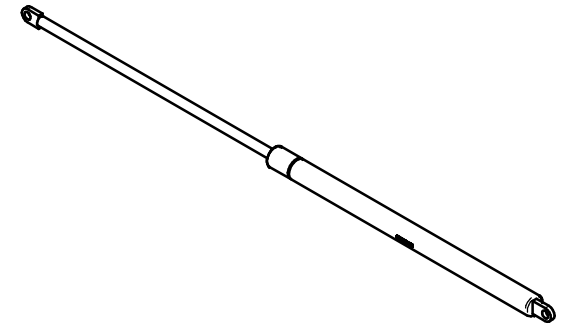
1 Bed frame – 1pc



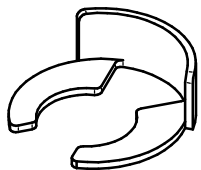
2 Lifting mechanism (L+R) 2pcs



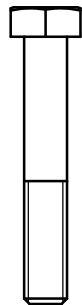
3 Gas spring – 2pcs



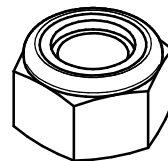
4 Snap ring – 4pcs



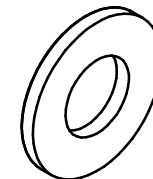
5 Screw M8x50–8pcs



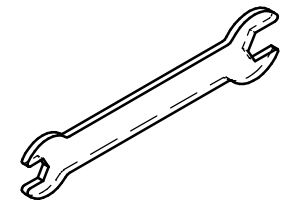
6 Nut M8 – 8pcs



7 Washer 8 – 8pcs

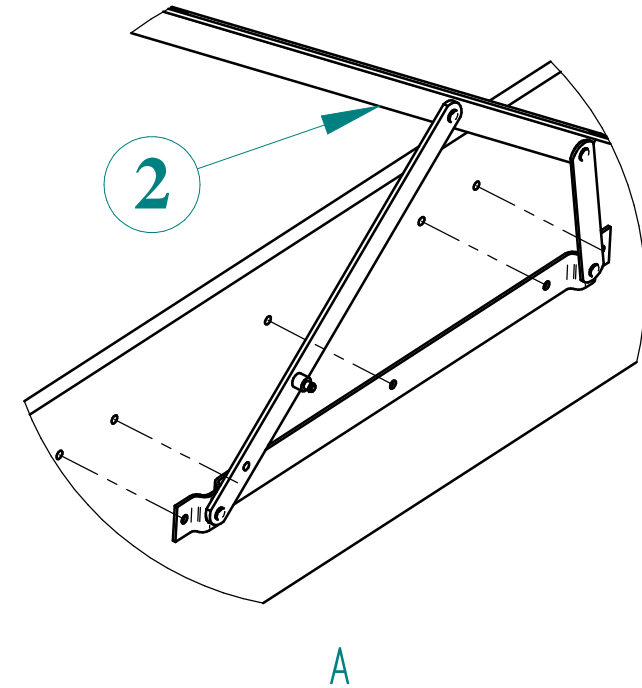
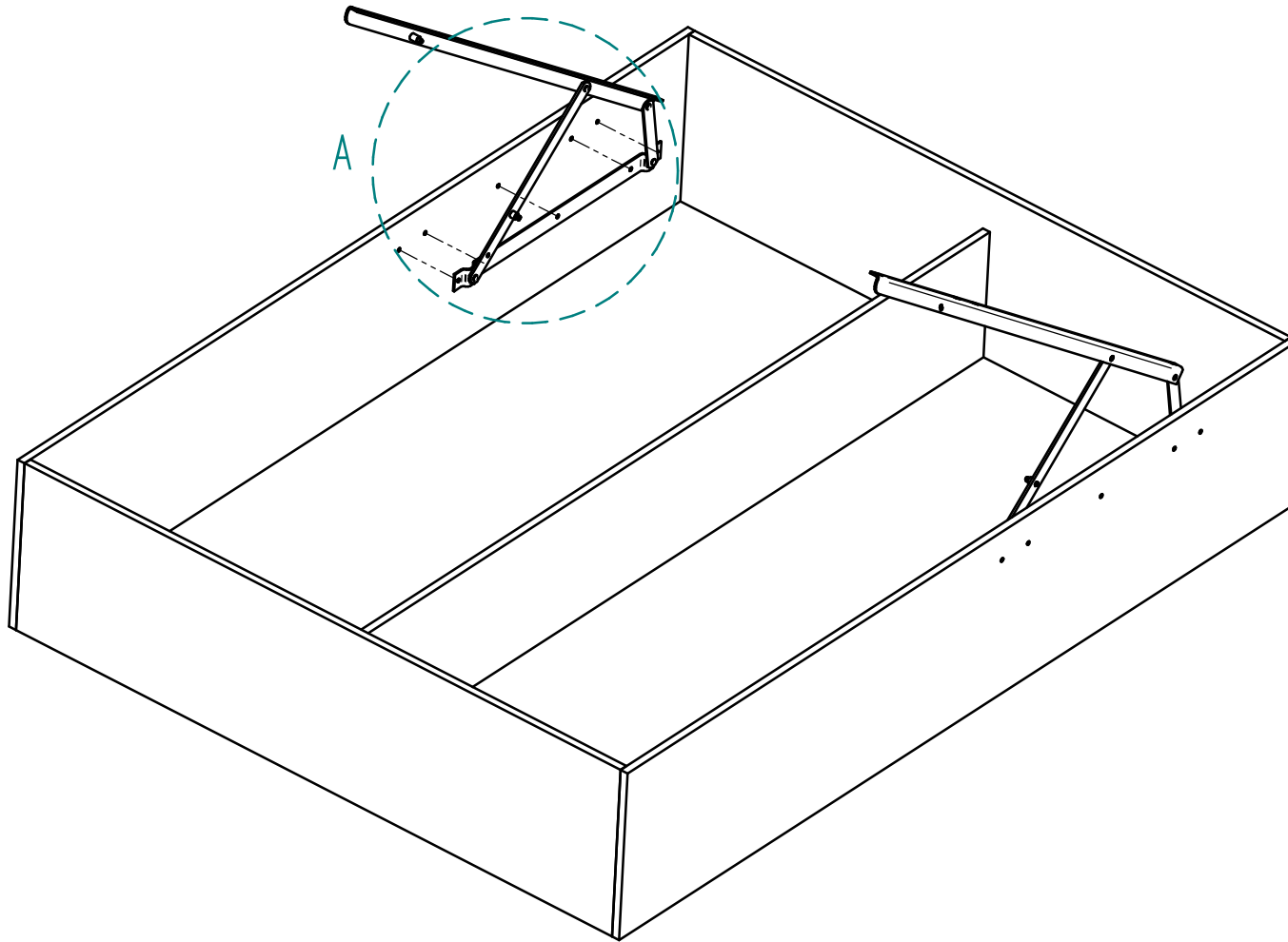


8 Flat key 10/13

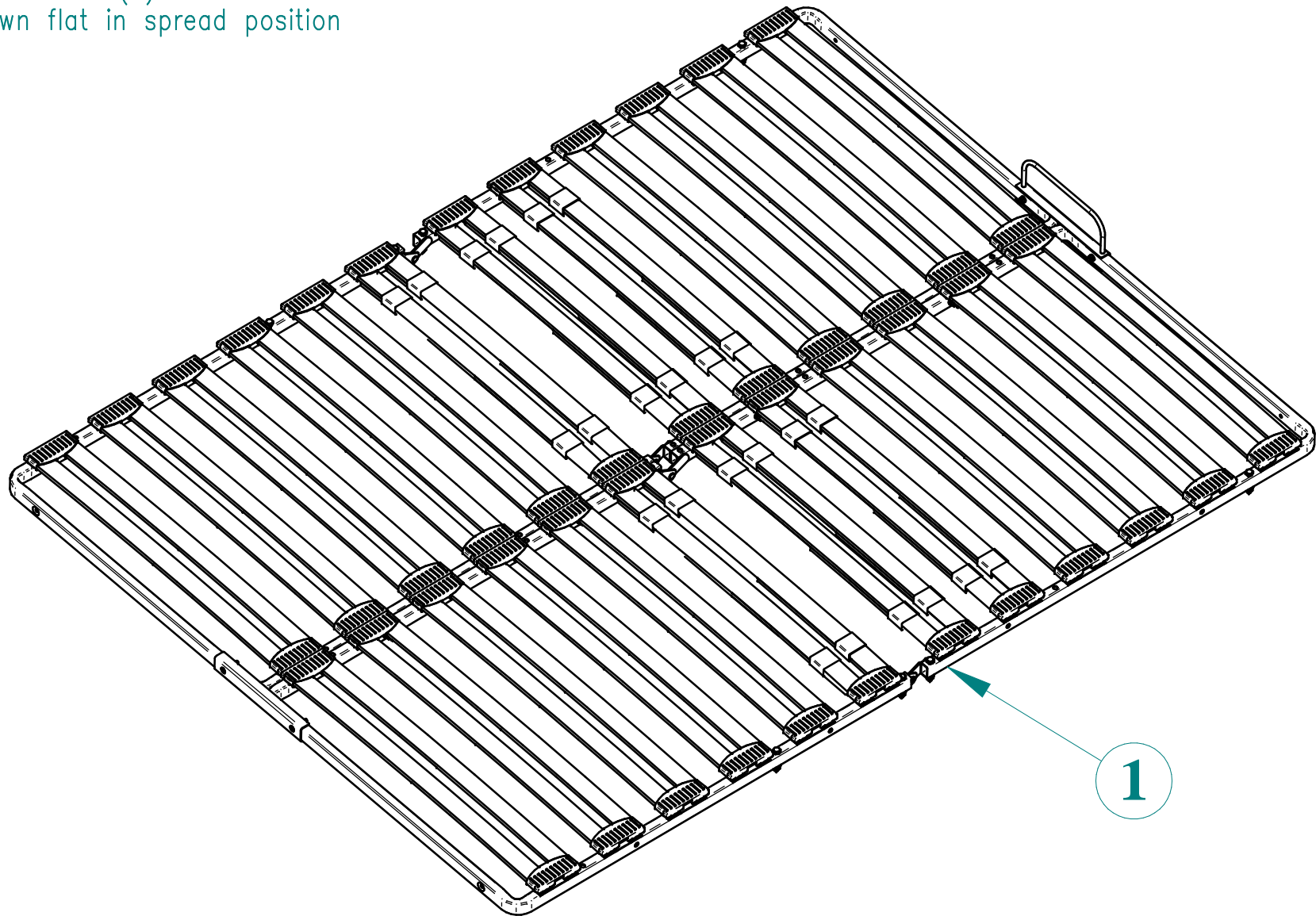


Step 1

Attach right and left lifting mechanisms (2) to bed sides
(use 5 holes 8,5mm in wall plates of lifting mechanism)



Step 2
Remove bed frame (1) from box
and lay down flat in spread position

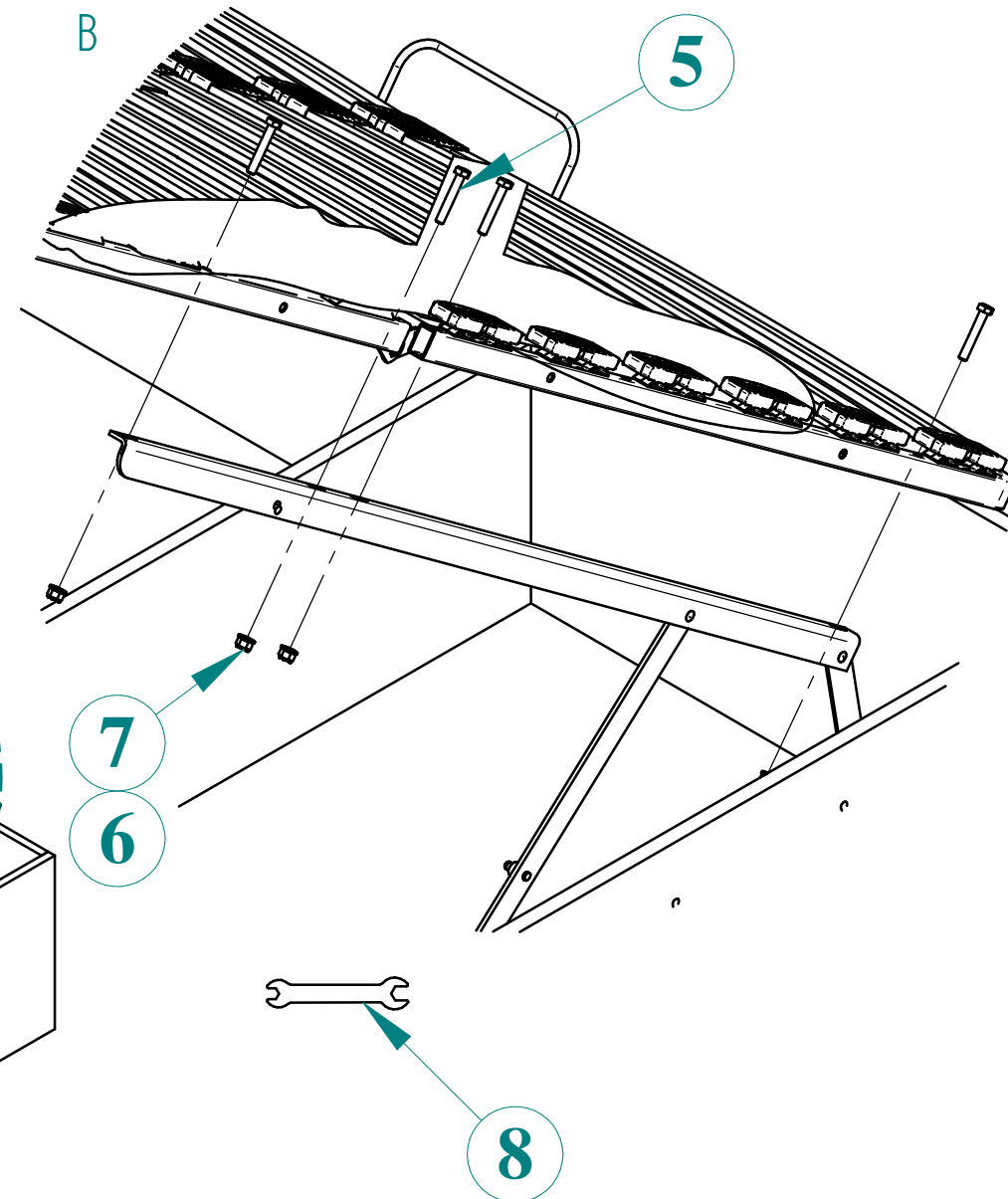
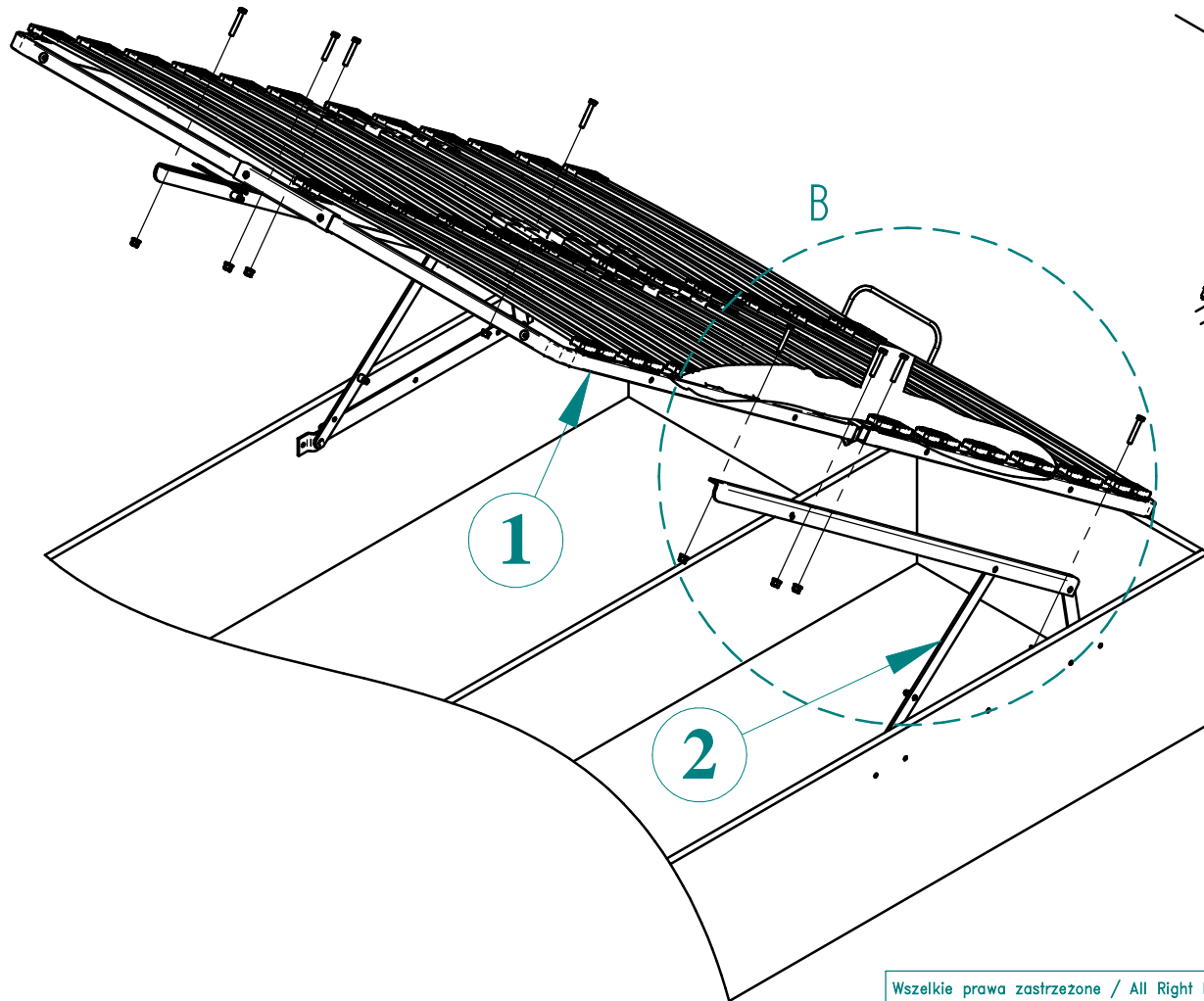


Step 3

Put bed frame (1) on lifting mechanism angles (2) and fold together holes in bed frame and lifting mechanism

Step 4

Attach bed frame (1) to lifting mechanism (2) using: screws M8x50 (5) + washers 8 (7) + nuts M8 (6). Use supplied flat key 13 (8)



Step 5
Montage gas springs (3) on lifts pivots
and protect them by snap rings (4)

