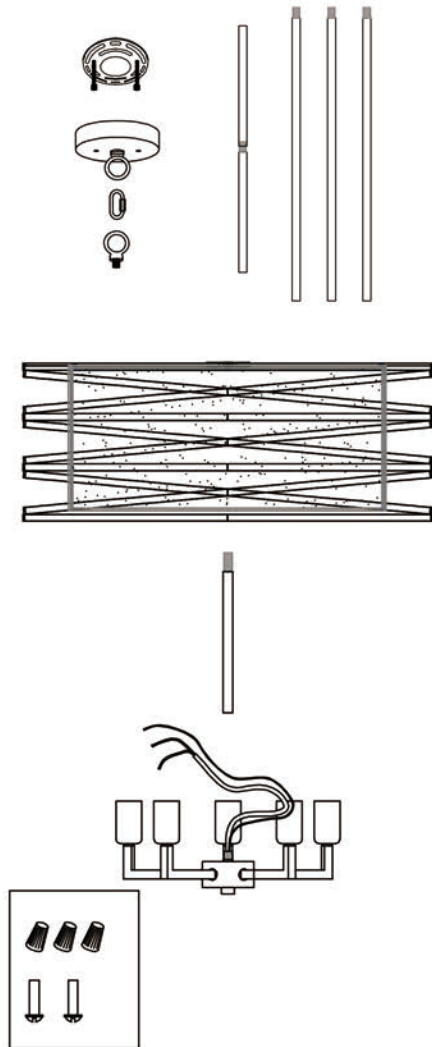
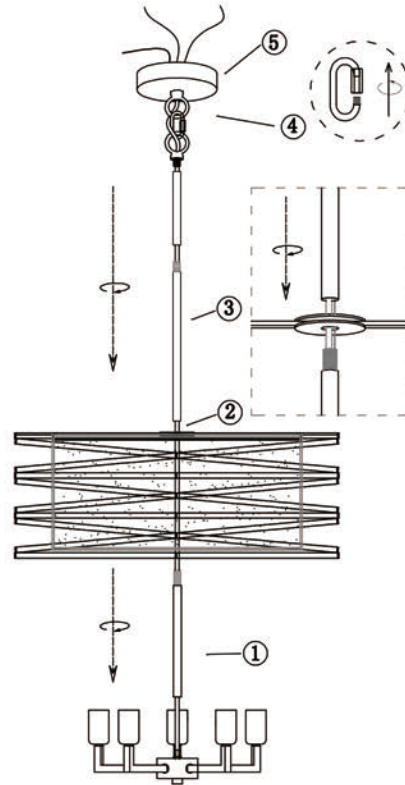


Package List

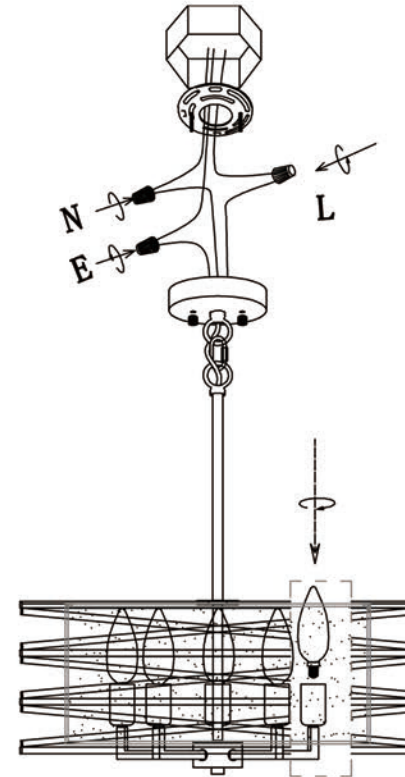


Installation Steps



1. Let the wire go through the short tube, rotate to install the short tube on the fixture.
2. Let the wire go through the lampshade 2 and long-tube 3, rotate to install both to the fixture.
(can connect more tubes to get the suitable height you need)
3. Hang the fixture to the canopy 5 with ring 4, let the wire go through the ring 4 and canopy 5.

Installation Steps



4. Install the bracket to the ceiling junction box with screw.
5. Connect the wire to your home line with cap connector.
6. Install the fixture to the bracket with cap nuts.
7. Install the bulb. (bulb is not included in the package)

Please read carefully before installation !!!

1. Make sure that the electricity is powered off during installation !
2. Only a professional electrician should install this kind of product !