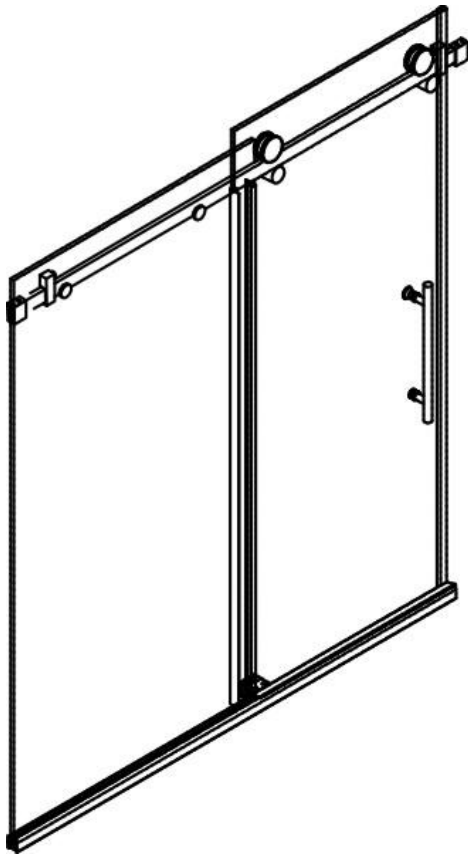




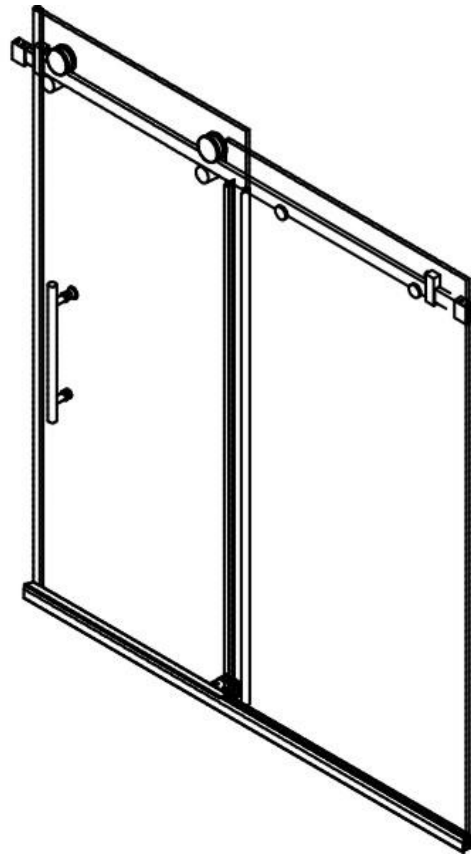
SHOWER DOOR INSTALLATION INSTRUCTIONS

IMPORTANT

DreamWerks® reserves the right to alter, modify or redesign products at any time without prior notice. For the latest up-to-date technical drawings, manuals, warranty information or additional details, please refer to our website www.thedreamwerks.com



Left Hand Install



Right Hand Install

Customer Support: **1-888-266-7976**

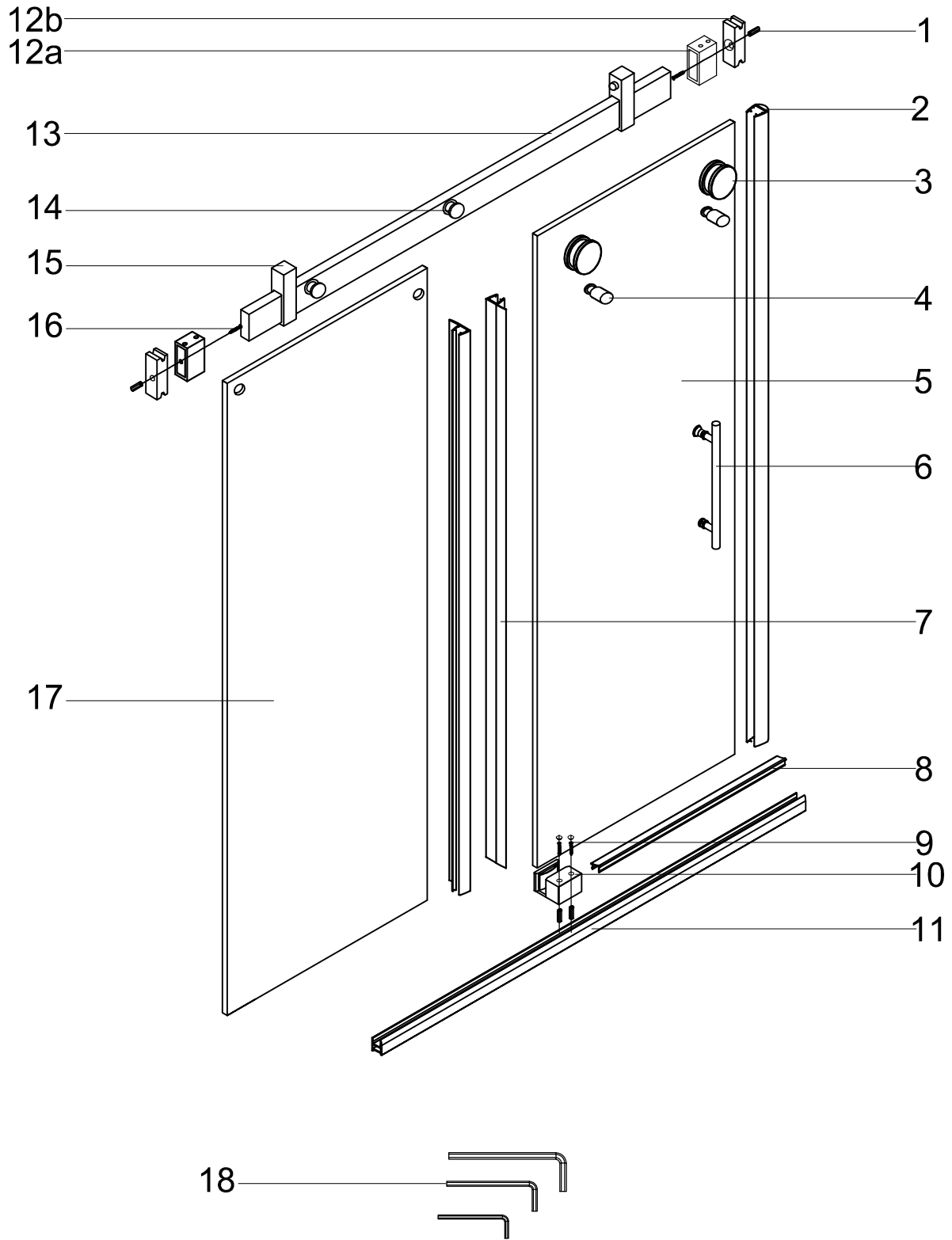
After-sale service: support@superiorbrandscorp.com

Hours of Operation: M-F 9 AM-6:30 PM


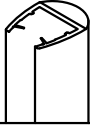

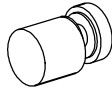
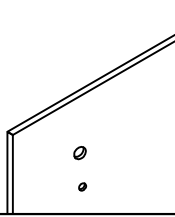

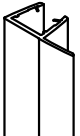
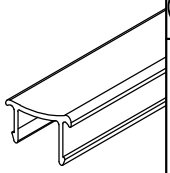
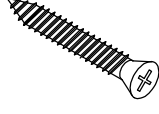
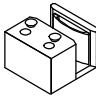
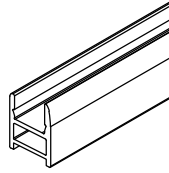
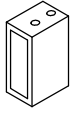

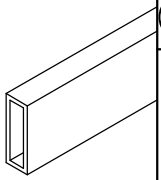
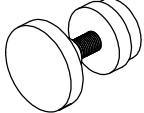

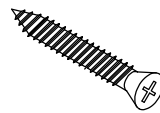
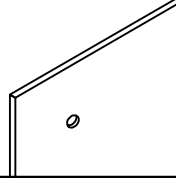
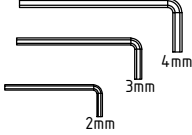
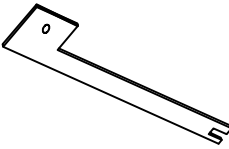
For more information about DreamWerks® Shower Doors & Tub Doors, please visit

www.thedreamwerks.com

Detailed Diagram


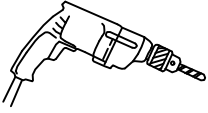
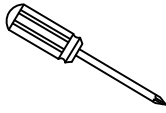

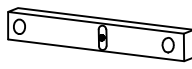
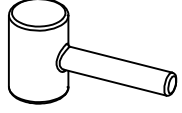
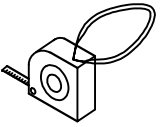
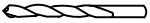
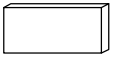
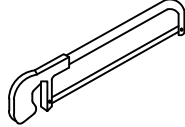



PART LIST

					
Wall Anchor 6*1" (4 pcs)	Bumper Strip (1 pc)	Roller (2 pcs)	Anti-Jumper (2 pcs)	Roller Door (1 pc)	Handle (1 pc)
					
Water-Retaining Gasket (2 pcs)	Threshold (1 pc)	Self-Tapping Screws (4*3/4) (2 pcs)	Door Guide (1 pc)	Door Bottom Guide (1 pc)	Rail Wall Bracket (2 pcs)
					
Rail Wall Connector (2 pcs)	Top Rail	Fix Panel Fastener (2 pcs)	Door Bumper (2 pcs)	Self-Tapping Screws (4*1 1/4") (2 pcs)	Fix Panel (1 pc)
					
Allen Wrenches (3 pcs)	Template				

*** Utilize Safety Glasses and Safety Gloves when constructing this shower door ***

Recommended Tools

					
Silicone	Drill	Phillips Screw Driver	Pencil	Level	Rubber Mallet
					
Tape Measure	1/4" Drill Bit	Wood Jam	Hacksaw	Safety Glasses/ Safety Gloves	

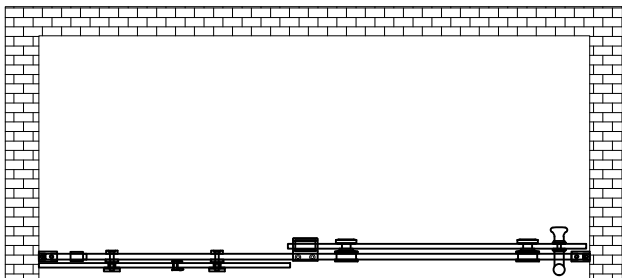
Left Hand Assembly

STEP 1

1. Installation Measurements

For a 48" Shower Door

For a 60" Shower Door



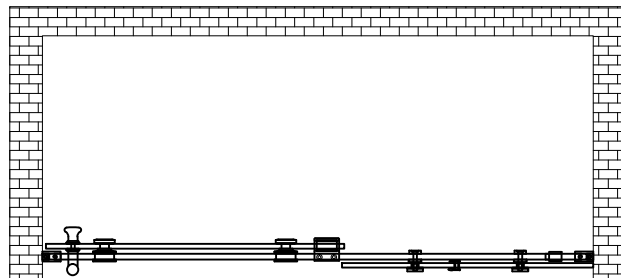
Right Hand Assembly

STEP 1

1. Installation Measurements

For a 48" Shower Door

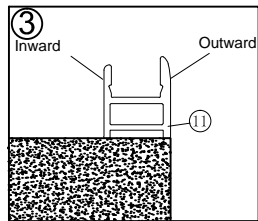
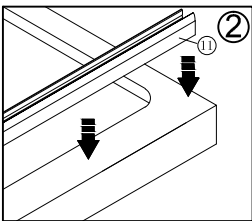
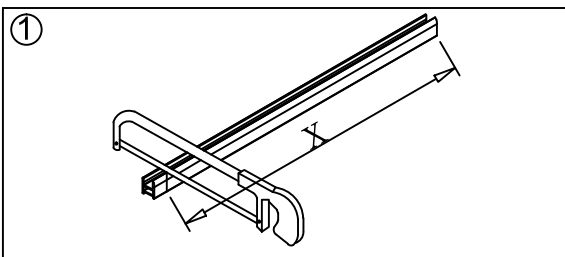
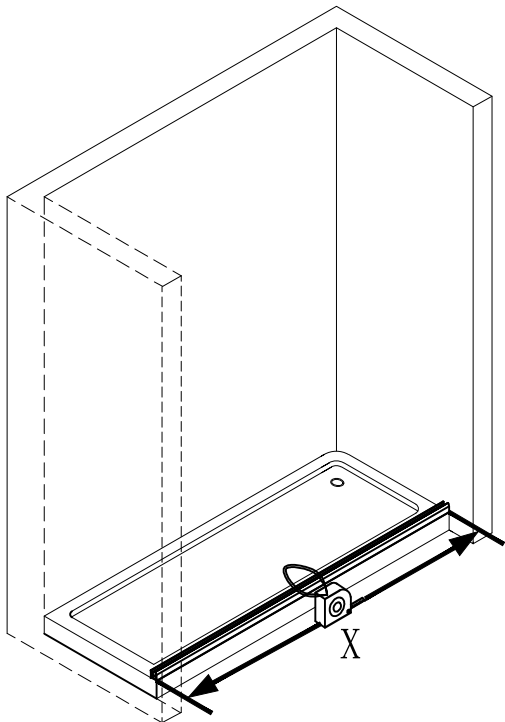
For a 60" Shower Door



Left Hand Assembly

STEP 2

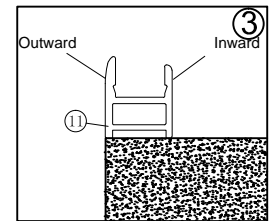
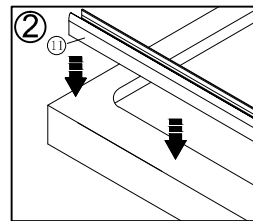
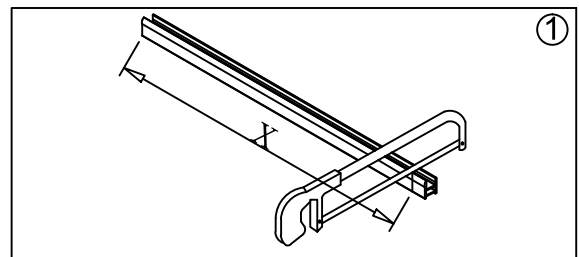
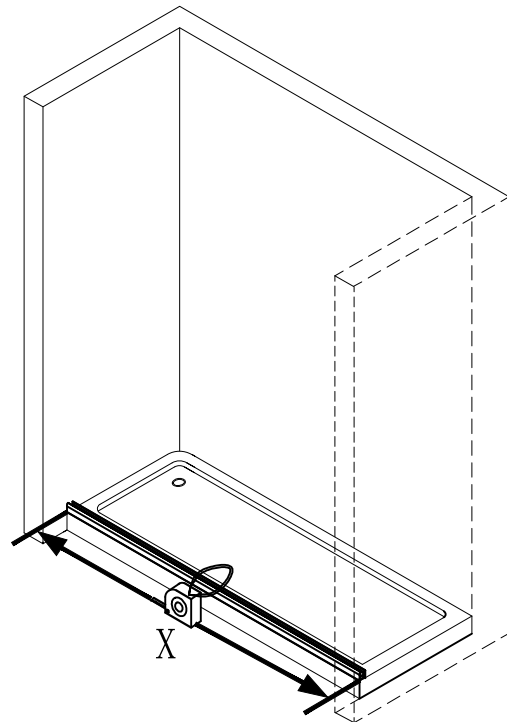
1. Measure the bottom of wall-to-wall distance, X. Cut the Door Bottom Guide (11) to the measurement of X.
2. Put the Door Bottom Guide (11) onto the shower base. Dry fit the Door Bottom Guide prior to securing.
3. Fastening the Door Bottom Guide is not needed at this point. The fastening process is described in step 10.



Right Hand Assembly

STEP 2

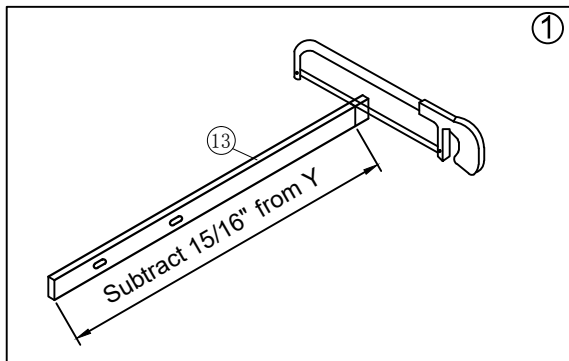
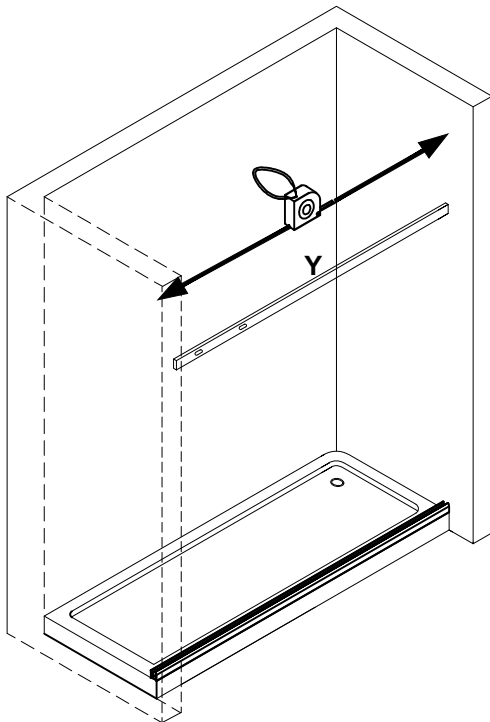
1. Measure the bottom of wall-to-wall distance, X. Cut the Door Bottom Guide (11) to the measurement of X.
2. Put the Door Bottom Guide (11) onto the shower base. Dry fit the Door Bottom Guide prior to securing.
3. Fastening the Door Bottom Guide is not needed at this point. The fastening process is described in step 10.



Left Hand Assembly

STEP 3

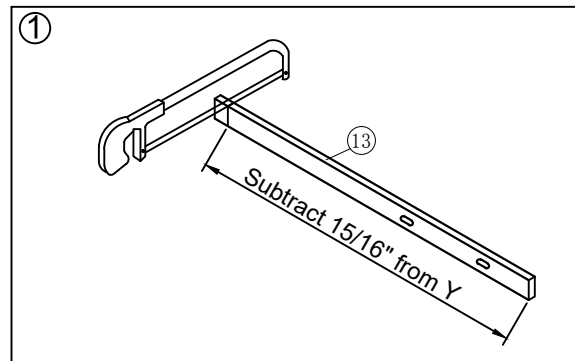
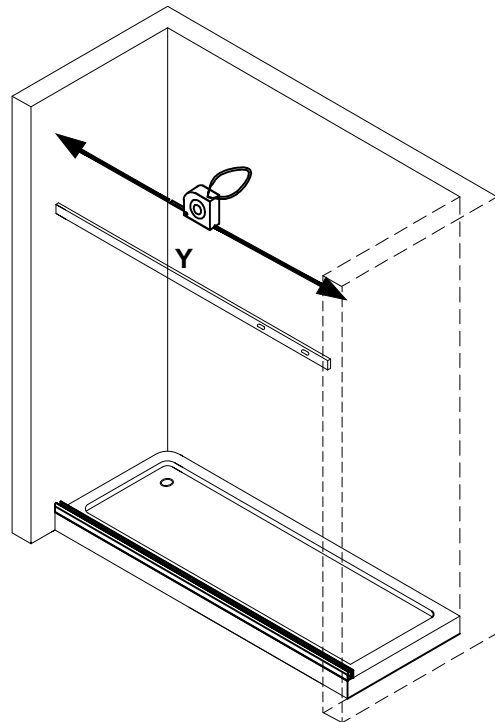
1. Measure the distance between walls where the Top Rail (13) will be install. Cut either side of the Top Rail according to the measurement Y minus 15/16".



Right Hand Assembly

STEP 3

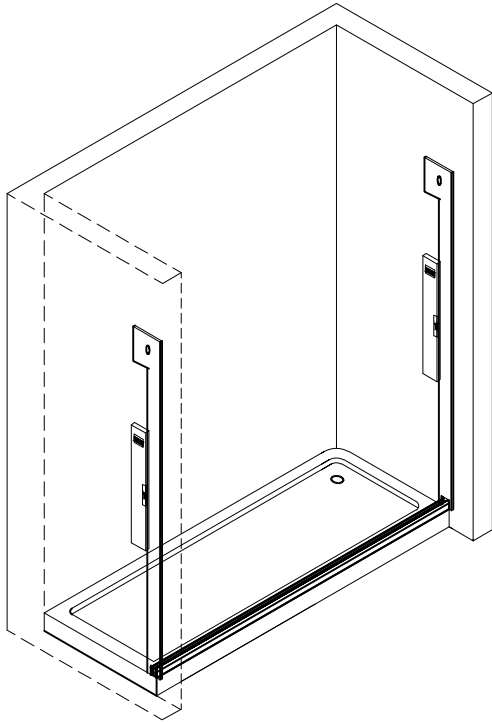
1. Measure the distance between walls where the Top Rail (13) will be install. Cut either side of the Top Rail according to the measurement Y minus 15/16".



Left Hand Assembly

STEP 4

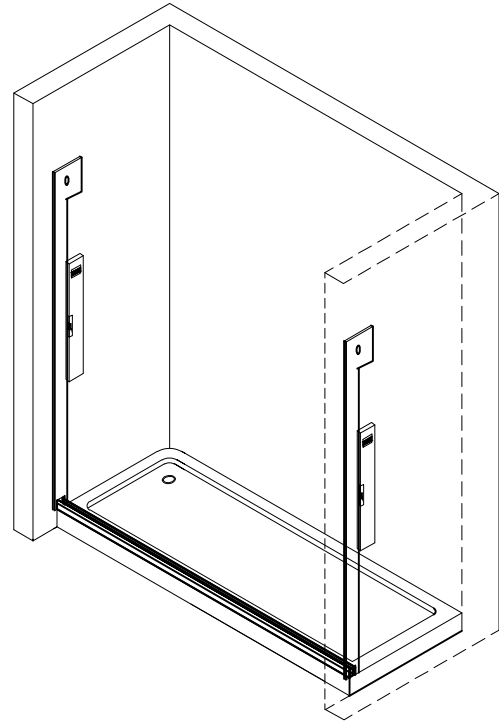
1. Position the template (19) against the wall, the bottom of the template should be over the Door Bottom Guide.
2. Use a level to make the template vertically straight. Mark the hole position with a pencil. Repeat the process on the opposite side.
3. Please refer to pictures below for clarity.



Right Hand Assembly

STEP 4

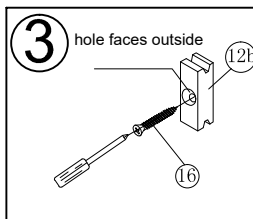
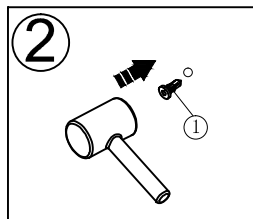
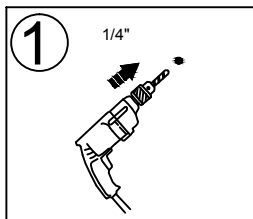
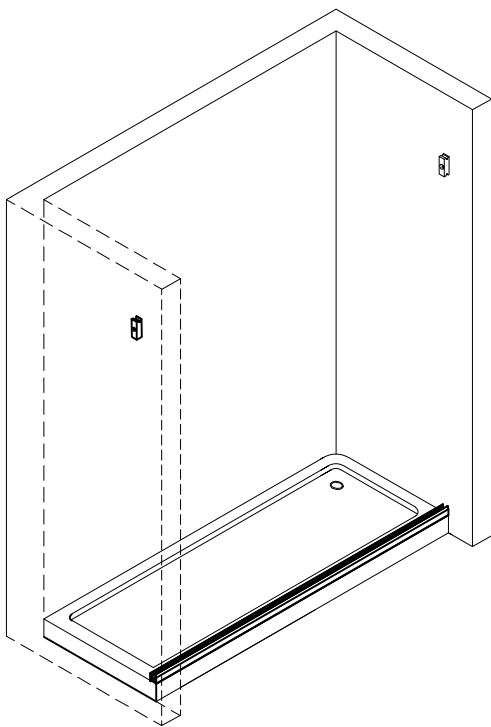
1. Position the template (19) against the wall, the bottom of the template should be over the Door Bottom Guide.
2. Use a level to make the template vertically straight. Mark the hole position with a pencil. Repeat the process on the opposite side.
3. Please refer to pictures below for clarity.



Left Hand Assembly

STEP 5

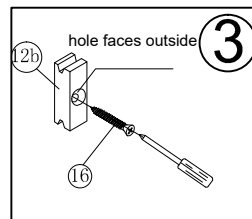
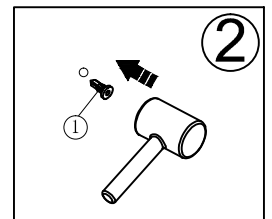
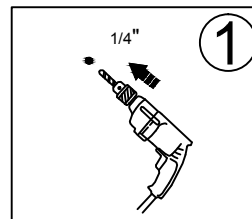
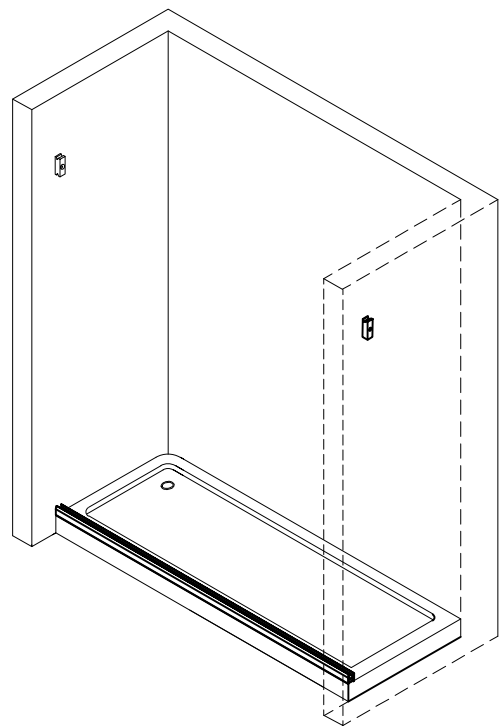
1. Drill a hole on the mark with 1/4" drill bit.
2. Hammer the anchor into the hole.
3. Use one of the 1 1/4" self-tapping screws (16) to secure Rail Wall Connector (12b) onto the wall.



Right Hand Assembly

STEP 5

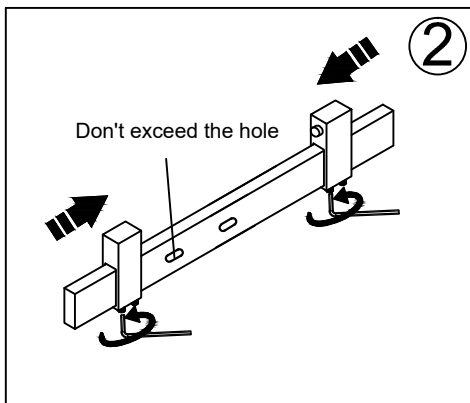
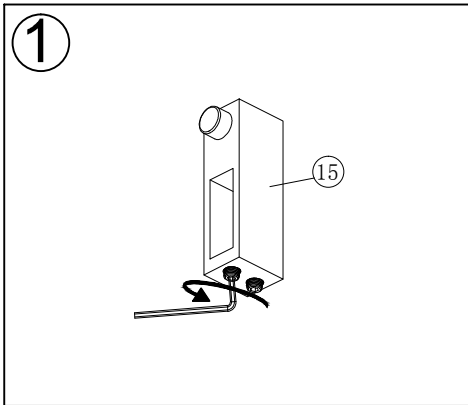
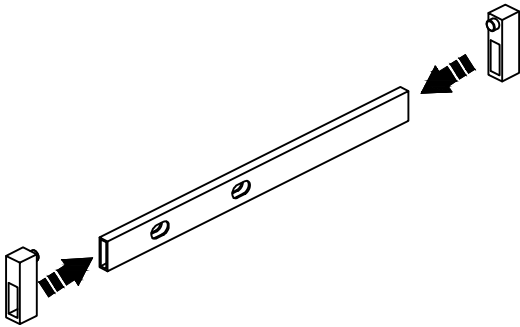
1. Drill a hole on the mark with 1/4" drill bit.
2. Hammer the anchor into the hole.
3. Use one of the 1 1/4" self-tapping screws (16) to secure Rail Wall Connector (12b) onto the wall.



Left Hand Assembly

STEP 6

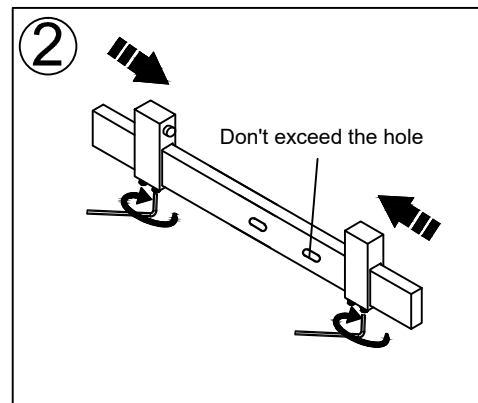
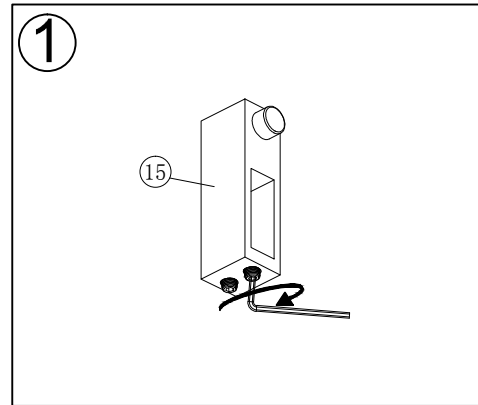
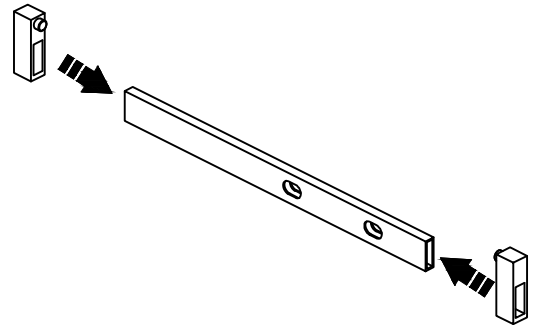
1. Install the 2 Door Bumpers (15) onto the Top Rail (13). Insert Rail Wall Brackets on both sides of the Top Rail.
2. Use the 3mm Allen Wrench to secure them by tightening the screws on the bottom.



Right Hand Assembly

STEP 6

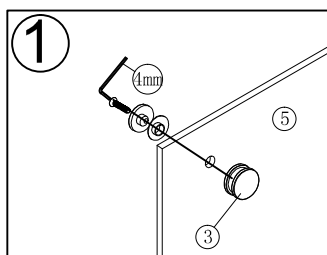
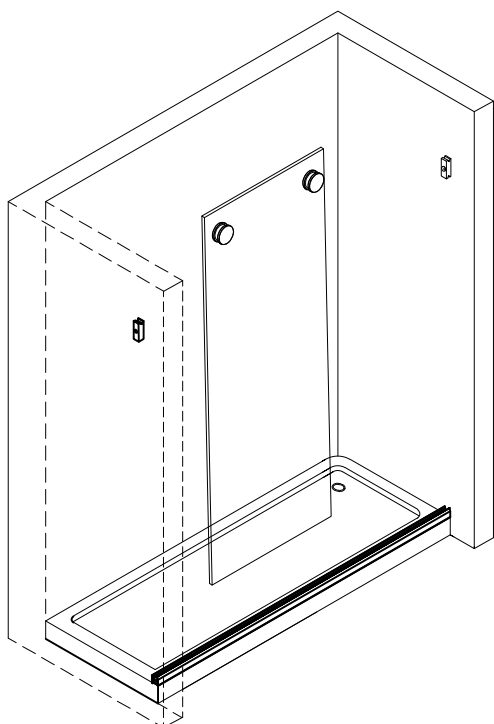
1. Install the 2 Door Bumpers (15) onto the Top Rail (13). Insert Rail Wall Brackets on both sides of the Top Rail.
2. Use the 3mm Allen Wrench to secure them by tightening the screws on the bottom.



Left Hand Assembly

STEP 7

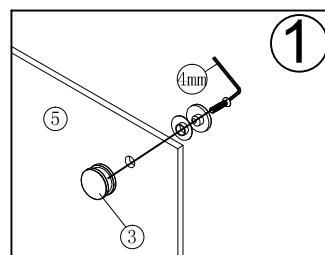
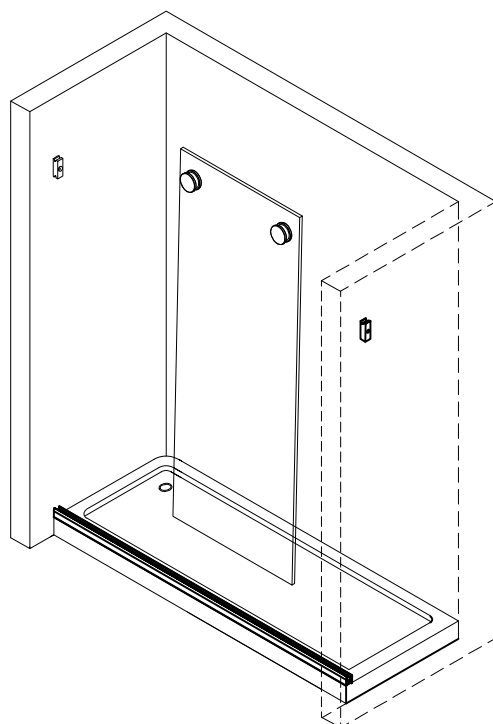
1. Secure the two rollers (3) onto the roller door (5) and move it inside of the shower area.



Right Hand Assembly

STEP 7

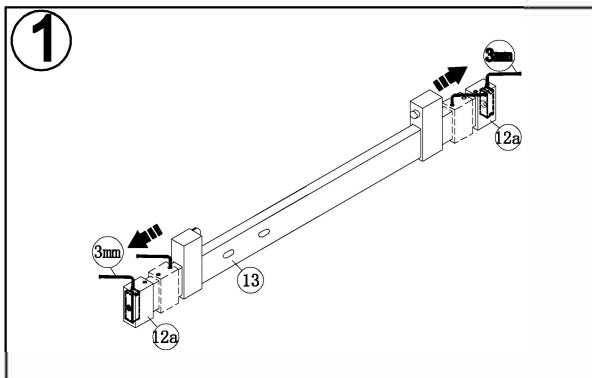
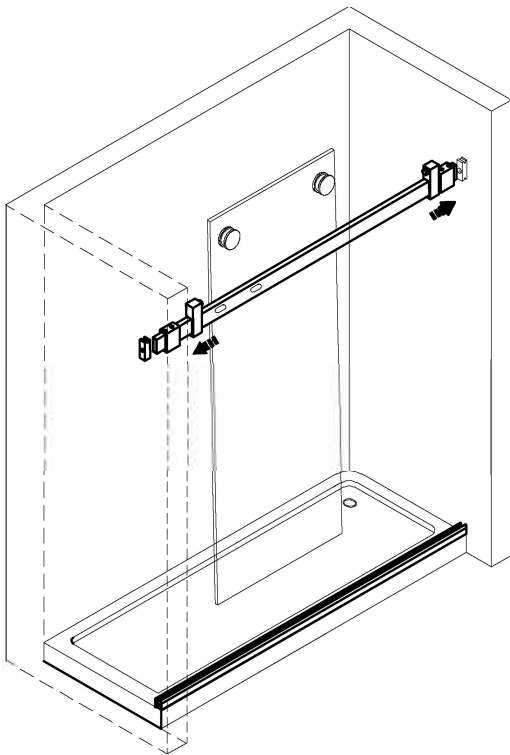
1. Secure the two rollers (3) onto the roller door (5) and move it inside of the shower area.



Left Hand Assembly

STEP 8

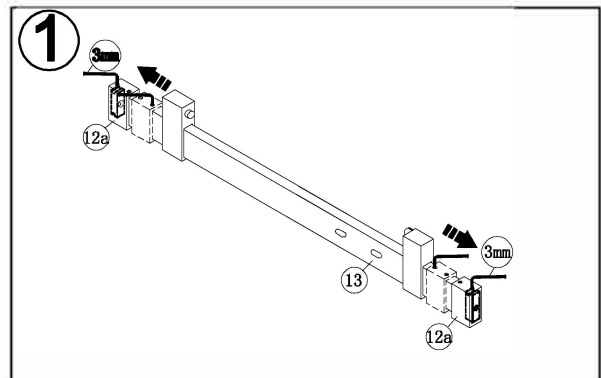
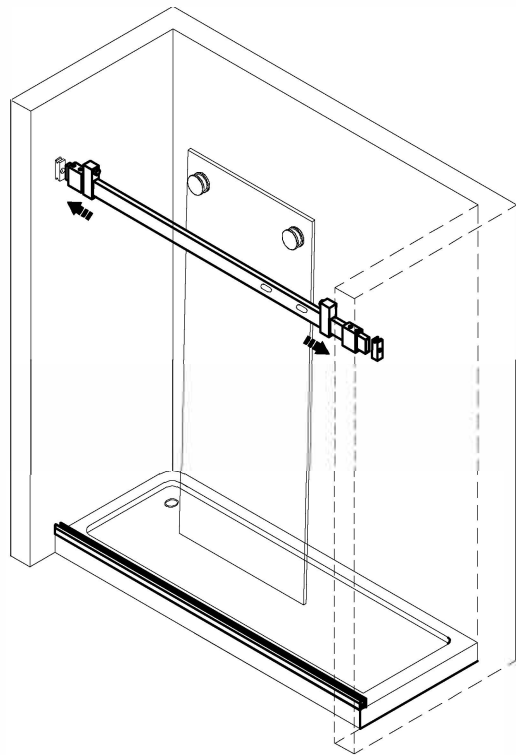
1. Connect Top Rail (13) to Rail Wall Connector (12b) by the slide Rail Wall Bracket (12a).



Right Hand Assembly

Step 8

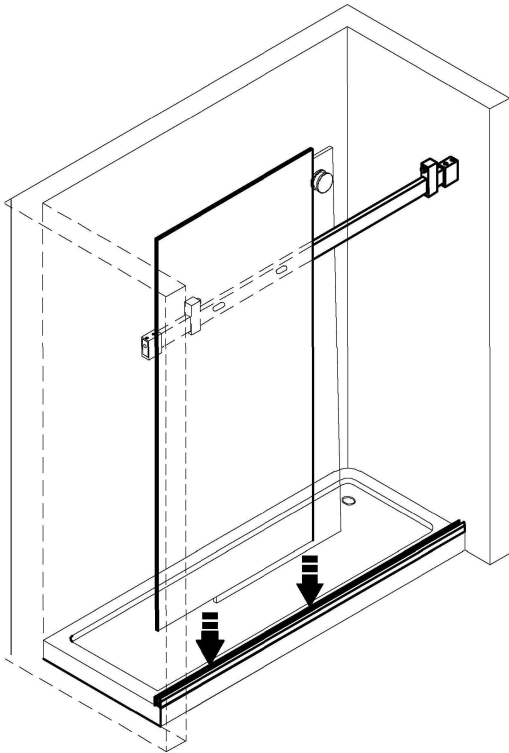
1. Connect Top Rail (13) to Rail Wall Connector (12b) by the slide Rail Wall Bracket (12a).



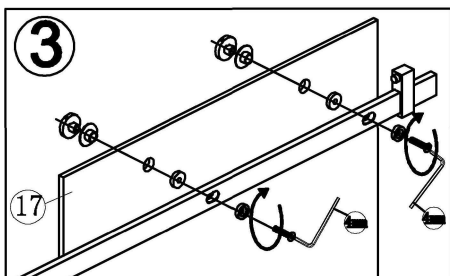
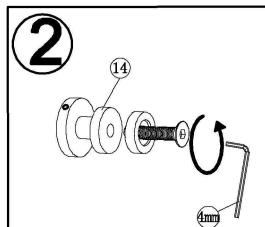
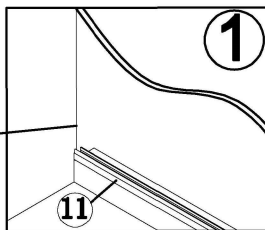
Left Hand Assembly

Step 9

1. Install A Fixed Glass Panel (17) by positioning (17) on top of Door Bottom Guide (11). The fixed Panel should be outside of the Rail Bar and closest to the wall.
2. Use 4mm Allen Wrench to tighten the Fix Panel Fastener (14) which connects the Fix Panel (17) to the Rail Bar (13).



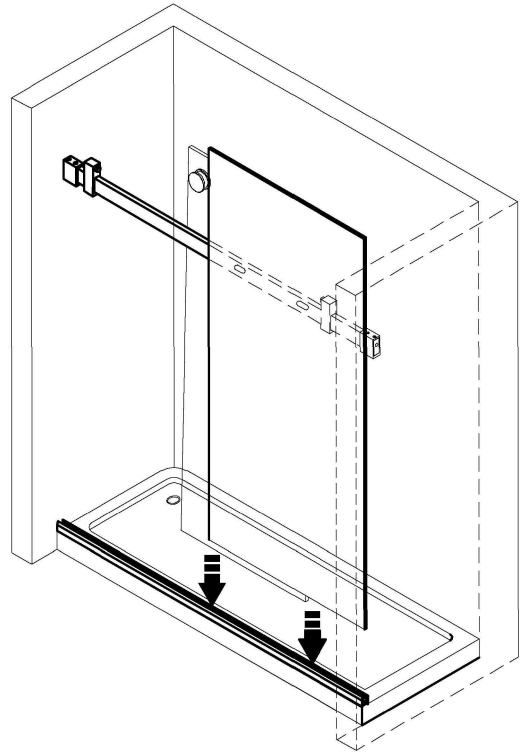
The Fix Panel should be as close to the wall as possible



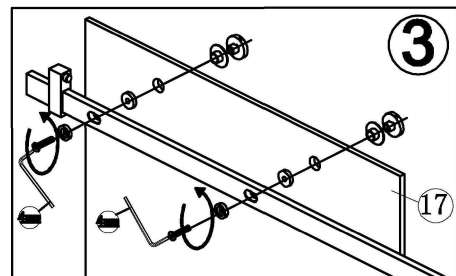
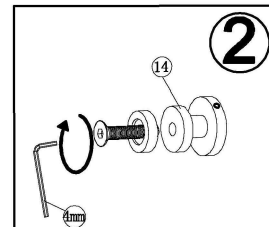
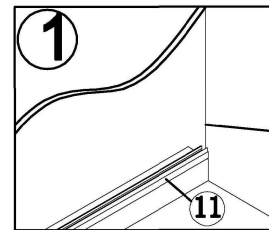
Right Hand Assembly

Step 9

1. Install A Fixed Glass Panel (17) by positioning (17) on top of Door Bottom Guide (11). The fixed Panel should be outside of the Rail Bar and closest to the wall.
2. Use 4mm Allen Wrench to tighten the Fix Panel Fastener (14) which connects the Fix Panel (17) to the Rail Bar (13).



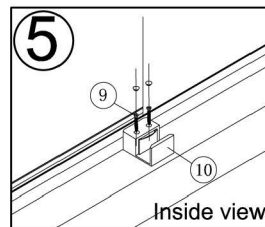
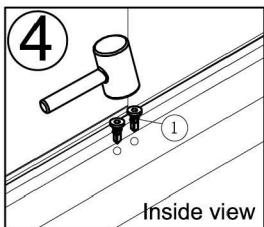
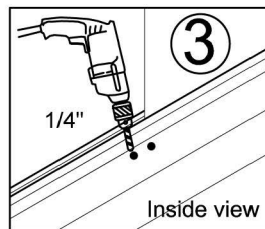
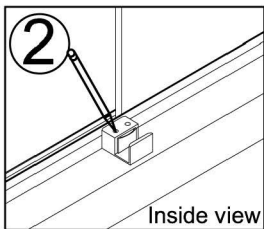
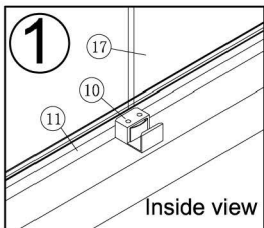
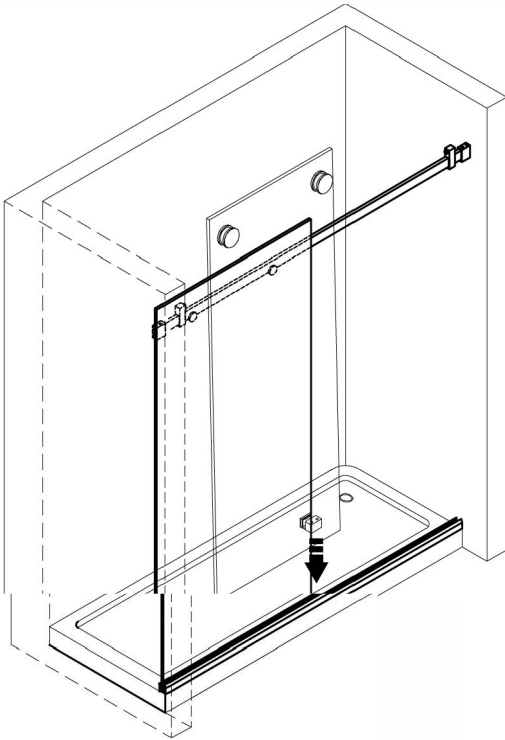
The Fix Panel should be as close to the wall as possible



Left Hand Assembly

STEP10

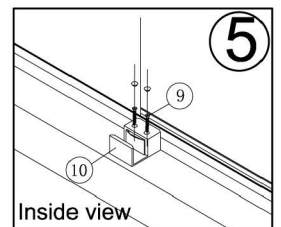
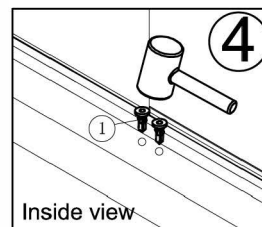
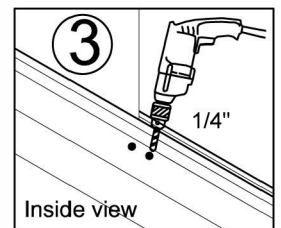
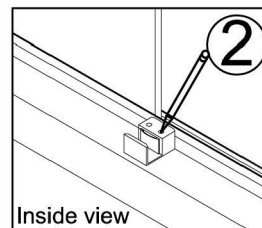
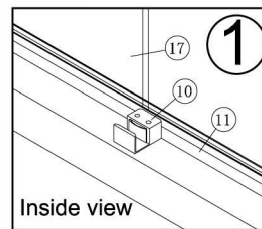
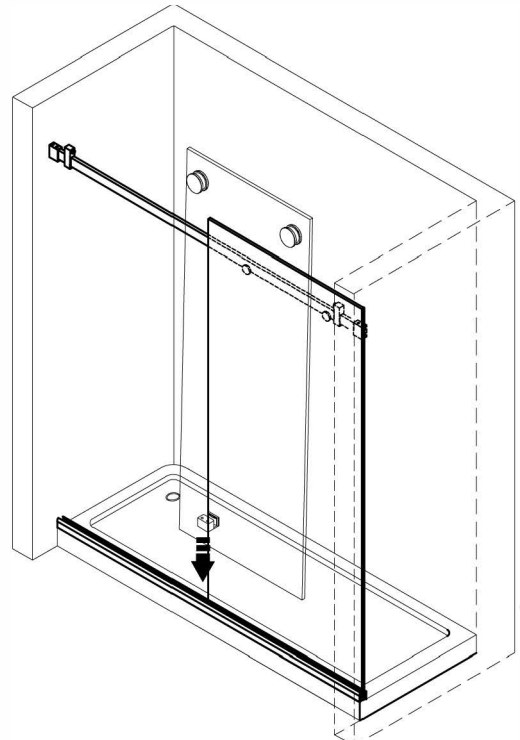
1. Position the Door Guide (9) against the Door Bottom Guide (11) at the end of the Fix Panel. (see Diagram)
2. Use pencil to mark the drill holes of Door Guide (10).
3. Drill a hole through the pencil mark on the ground.
4. Use a hammer to guide the Anchor(1) inside of holes.
5. Use 5/32" x 25/32" self-tapping screws (9) to secure the Door Guide.



Right Hand Assembly

STEP10

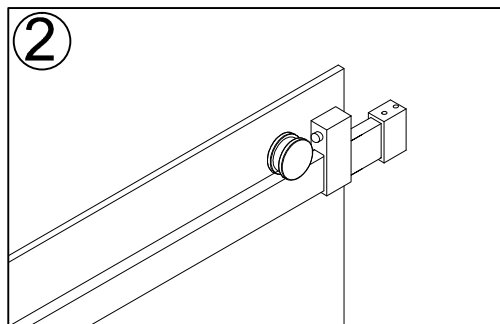
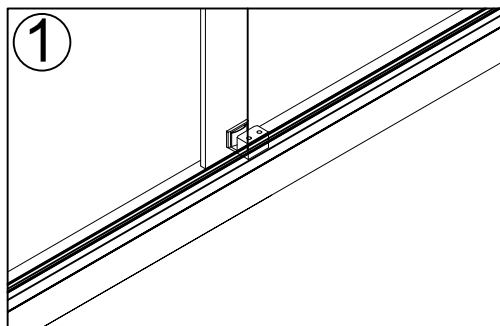
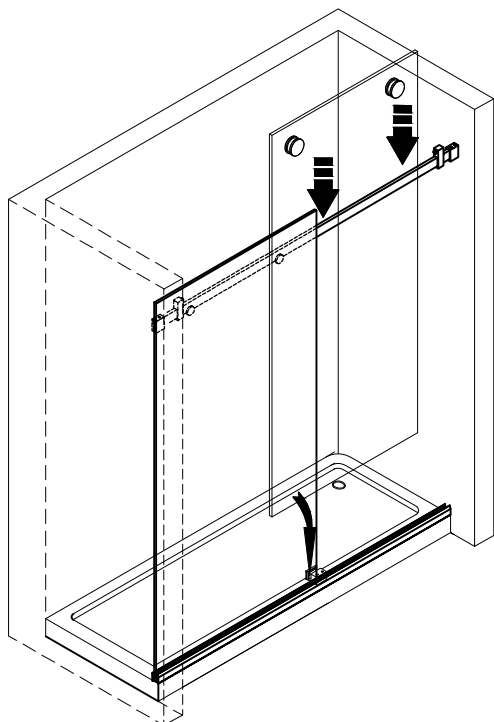
1. Position the Door Guide (9) on against the Door Bottom Guide (11) and parallel to the Fix Panel. (see Diagram)
2. Use pencil to mark the drill holes of Door Guide (10).
3. Drill a hole through the pencil mark on the ground.
4. Use a hammer to guide the Anchor(1) inside of holes.
5. Use 5/32" x 25/32" self-tapping screws (9) to secure the Door Guide.



Left Hand Assembly

STEP 11

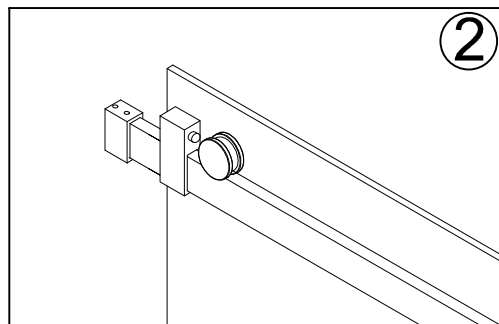
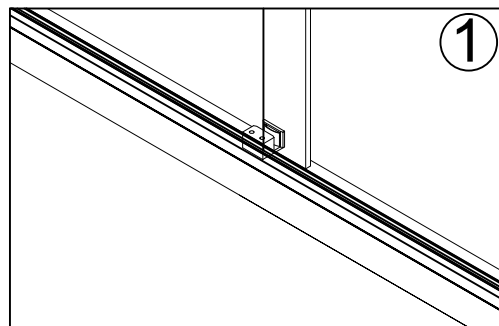
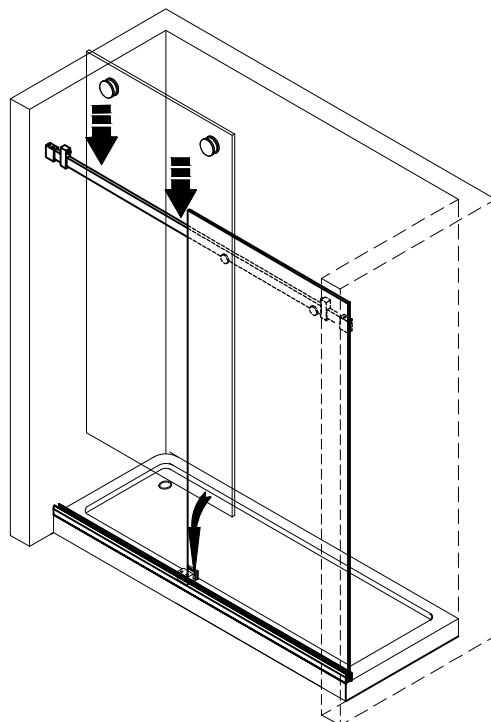
1. Make sure the bottom of the Roller Door inserts onto the Door Guide.
2. Hang the Roller Door onto the Top Rail.



Right Hand Assembly

STEP 11

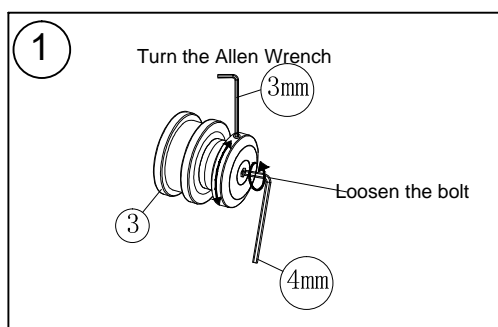
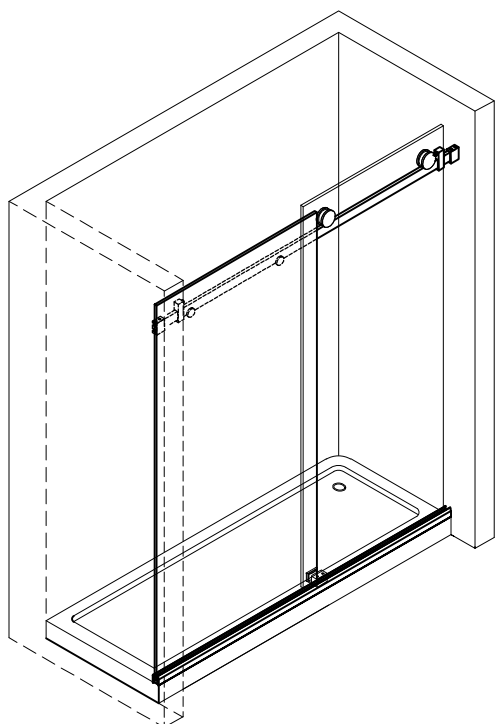
1. Make sure the bottom of the Roller door inserts onto the Door Guide.
2. Hang the Roller Door onto the Top Rail .



Left Hand Assembly

STEP 12

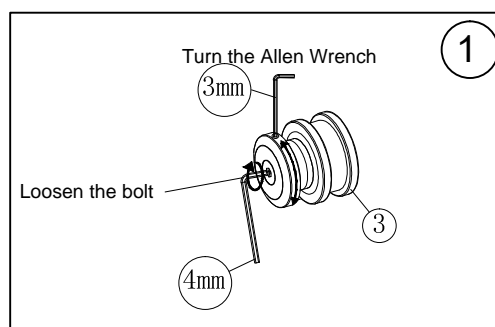
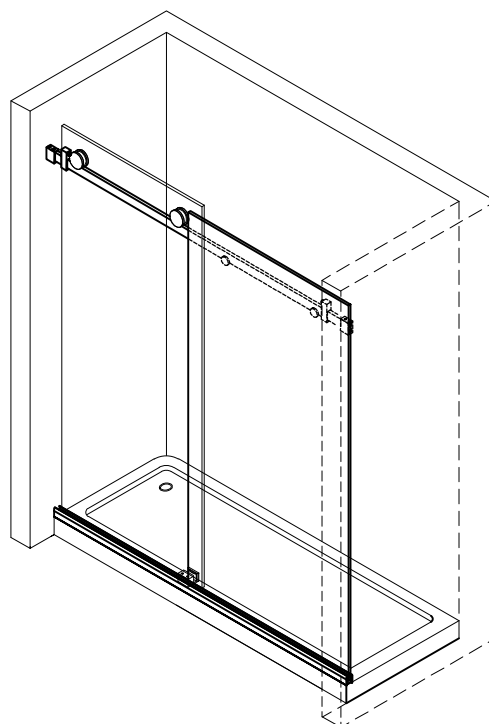
1. Adjust the Adjustable Roller by use 4 mm and 3mm Allen Wrench on the same time. The Roller door could be adjusted higher or lower by use the Adjustable Roller.



Right Hand Assembly

STEP 12

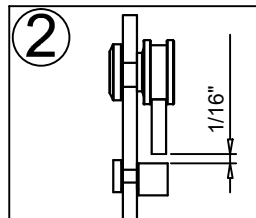
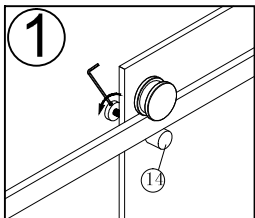
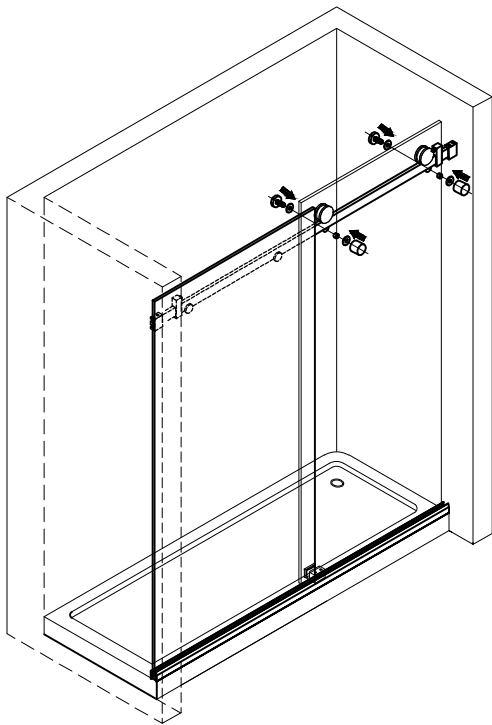
1. Adjust the Adjustable Roller by use 4 mm and 3mm Allen Wrench on the same time. The Roller door could be adjusted higher or lower by use the Adjustable Roller.



Left Hand Assembly

STEP 13

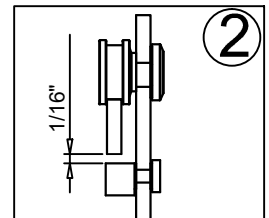
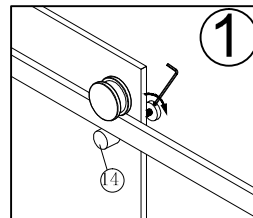
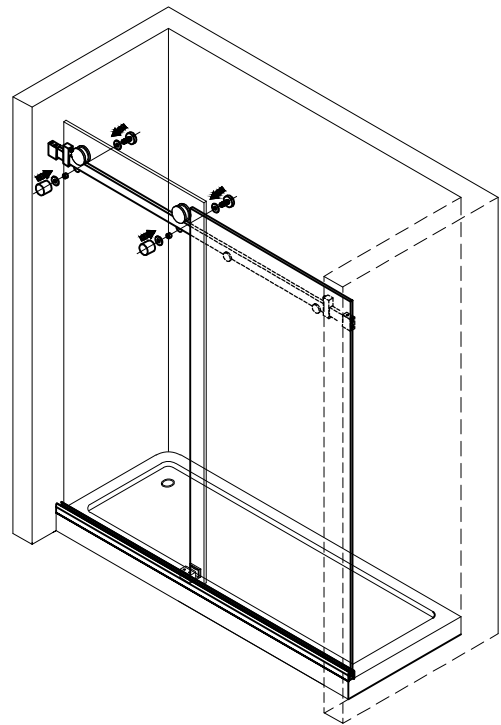
1. Install the Anti-Jumper (4).
2. The distance between the Anti-Jumper and the Top Rail should be $1/16"$.



Right Hand Assembly

STEP 13

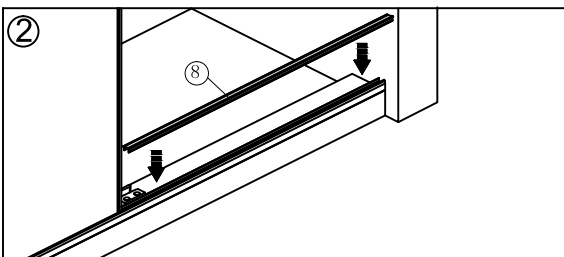
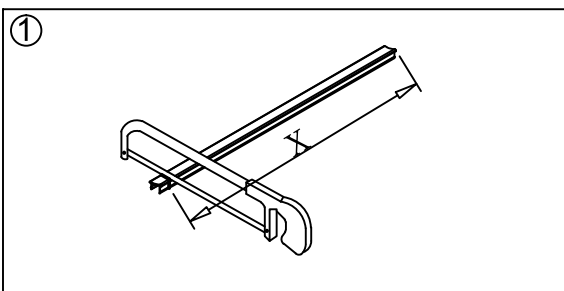
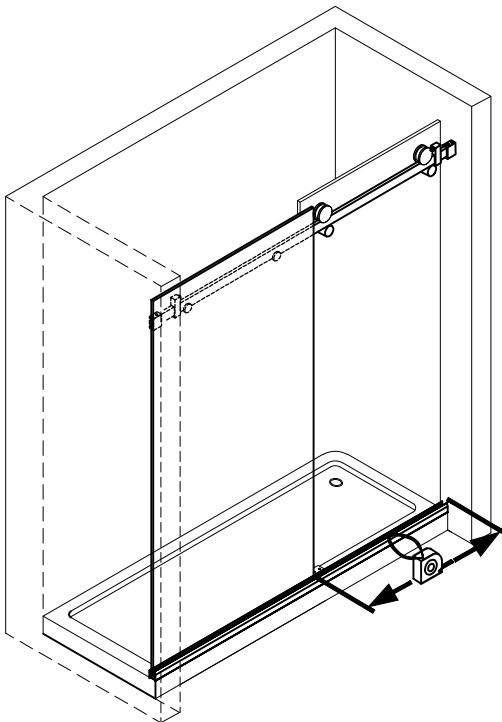
1. Install the Anti-Jumper (4).
2. The distance between the Anti-Jumper and the Top Rail should be $1/16"$.



Left Hand Assembly

STEP 14

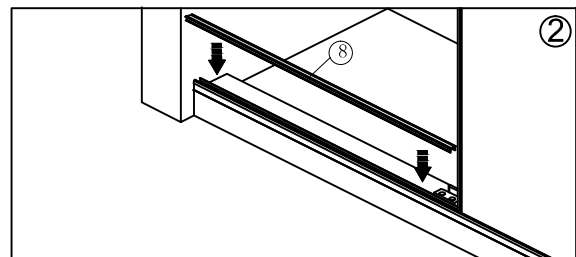
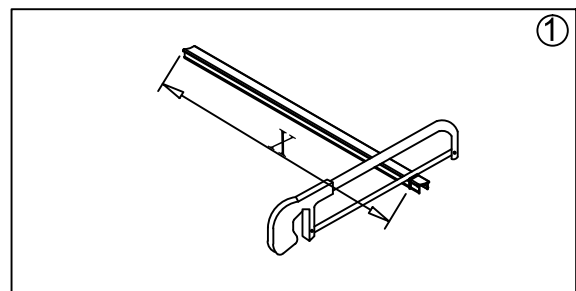
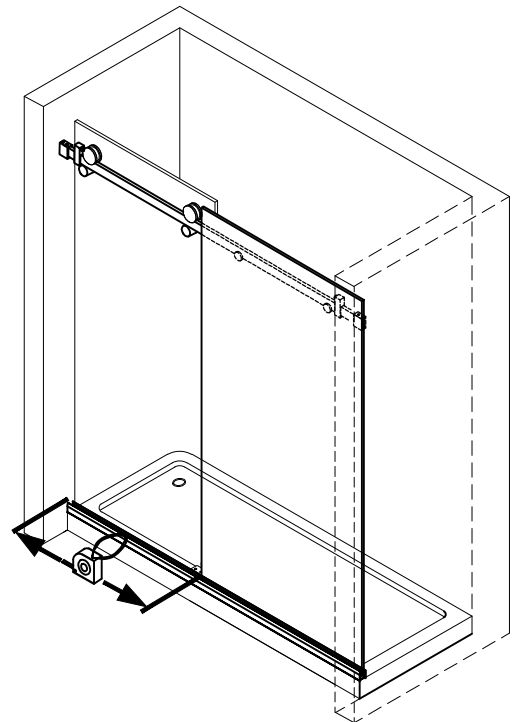
1. Cut the Threshold (8) to correct size of opening, varies per space.
2. Install the Threshold (8) on top of Door Bottom Guide (11).



Right Hand Assembly

STEP 14

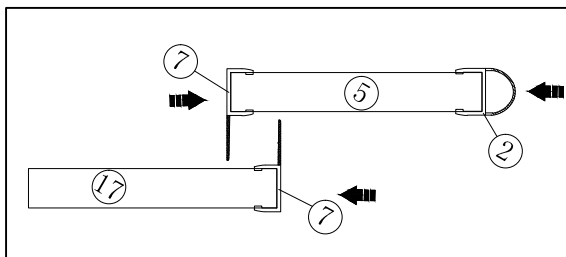
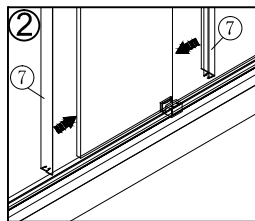
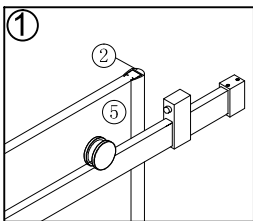
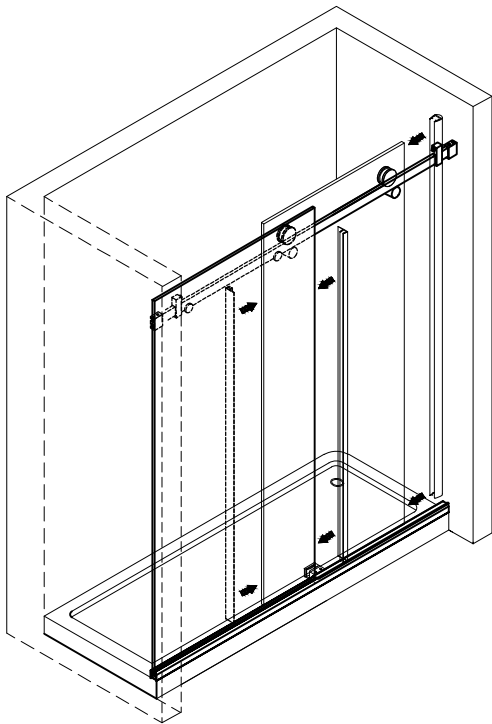
1. Cut the Threshold (8) to correct size opening, varies per space.
2. Install the Threshold (8) on top of Door Bottom Guide (11).



Left Hand Assembly

STEP 15

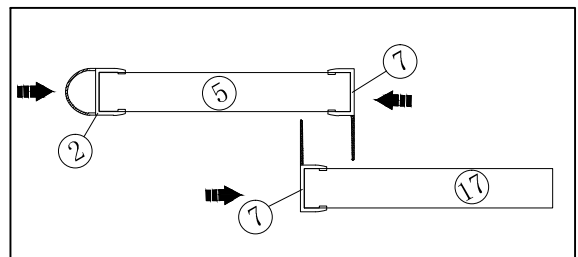
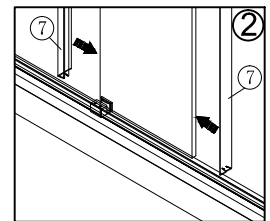
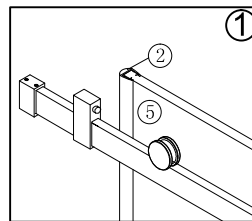
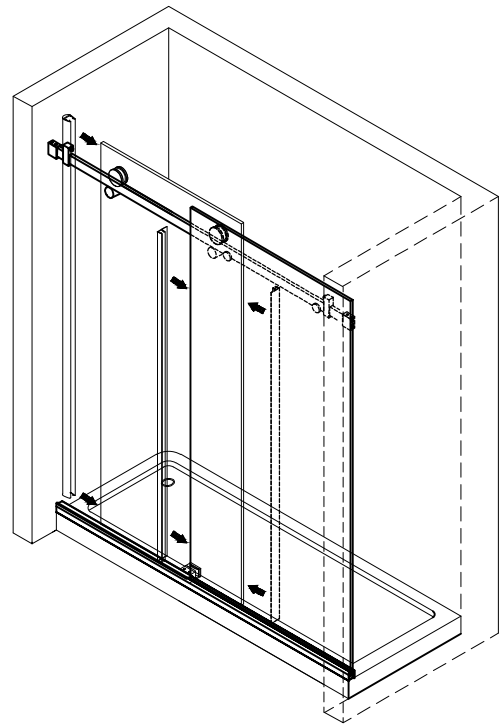
1. Put on the Bumper Strip (2) on the side of Roller Door (5).
2. Install Water Retainer Gasket (7).



Right Hand Assembly

STEP 15

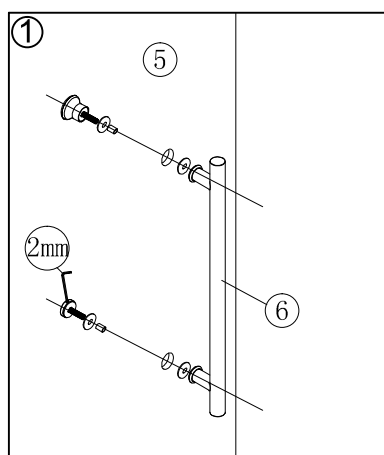
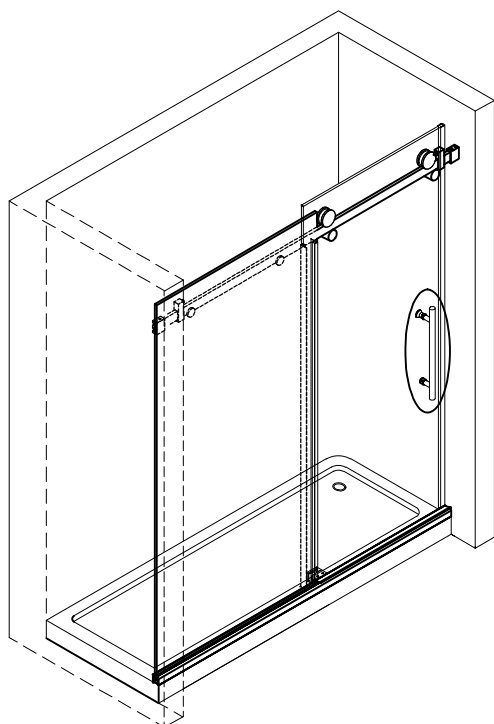
1. Put on the Bumper Strip (2) on the side of Roller Door (5).
2. Install Water Retainer Gasket (7).



Left Hand Assembly

STEP 16

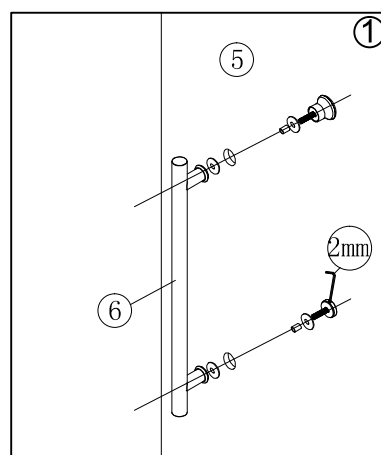
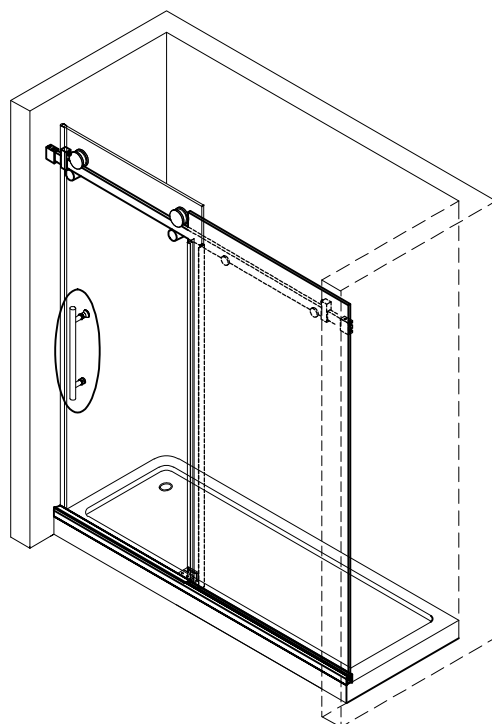
1. Install the Handle (6) onto the Roller Door (5) by unscrewing the screws that are attached to the door handle and reinserting through the panel back into the handle. Tighten with the 2mm Allen Wrench.



Right Hand Assembly

STEP 16

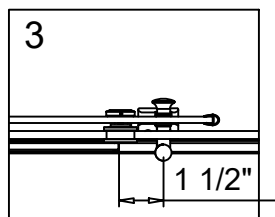
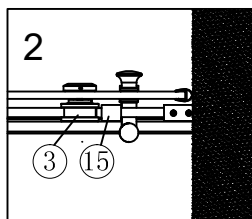
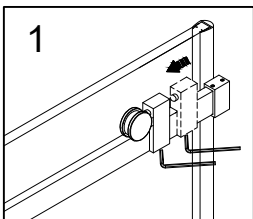
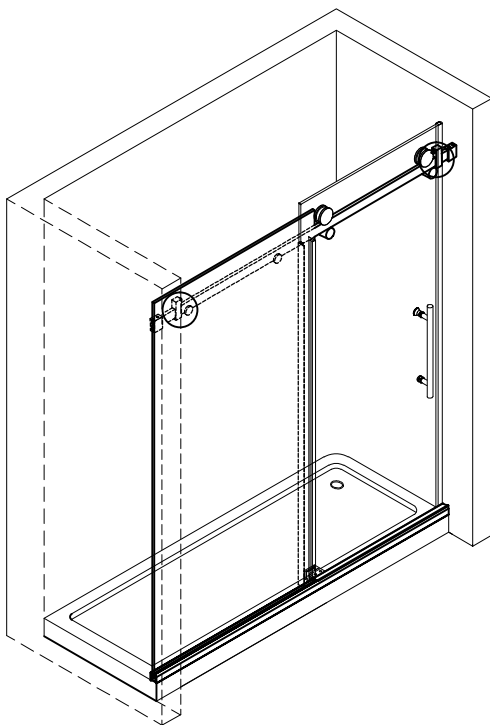
1. Install the Handle (6) onto the Roller Door (5) by unscrewing the screws that are attached to the door handle and reinserting through the panel back into the handle. Tighten with the 2mm Allen Wrench.



Left Hand Assembly

STEP 17

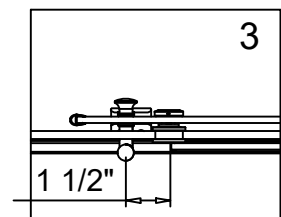
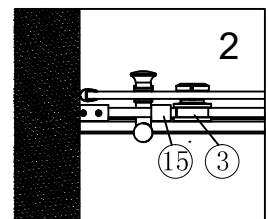
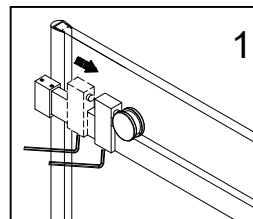
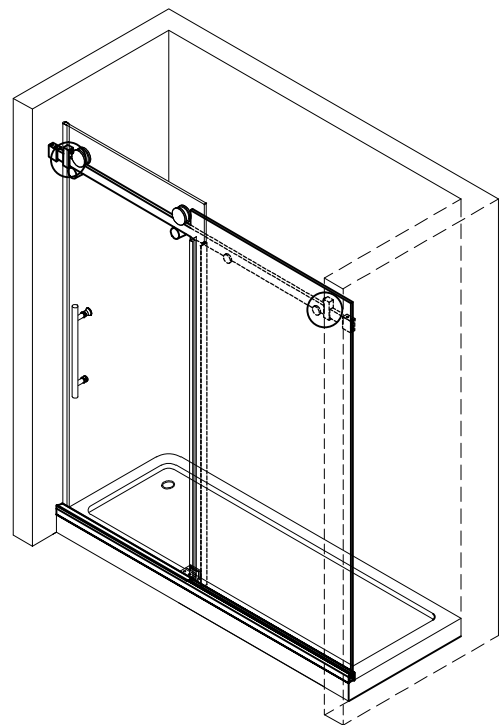
1. Avoid the Roller door bumping into the Wall by moving the Door Bumper to a desired position.
2. Do the same on the other side of Door Bumper.
3. The Roller Door should be stopped 1 1/2" before the Wall.



Right Hand Assembly

STEP 17

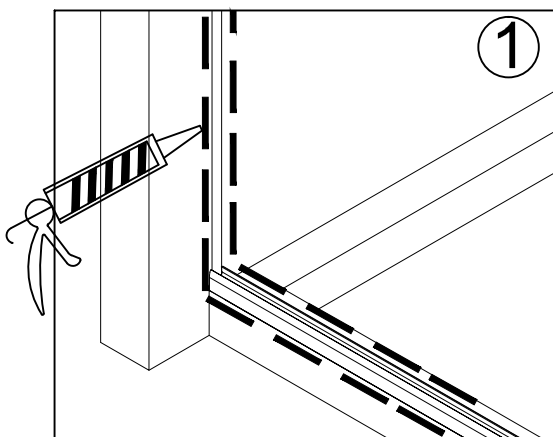
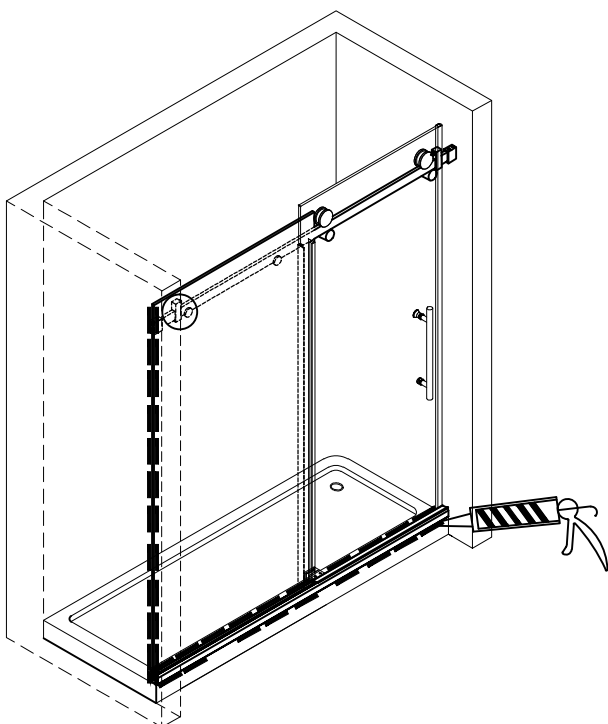
1. Avoid the Roller door bumping into the Wall by moving the Door Bumper to a desired position.
2. Do the same on the other side of Door Bumper.
3. The Roller Door should be stopped 1 1/2" before the Wall.



Left Hand Assembly

STEP 18

1. Use a Clear Silicone on both sides of the shower door and the Door Bottom Guide as shown in picture below. Let dry for 24 hours.



Right Hand Assembly

STEP 18

1. Use a Clear Silicone on both sides of the shower door and the Door Bottom Guide as shown in picture below. Let dry for 24 hours.

