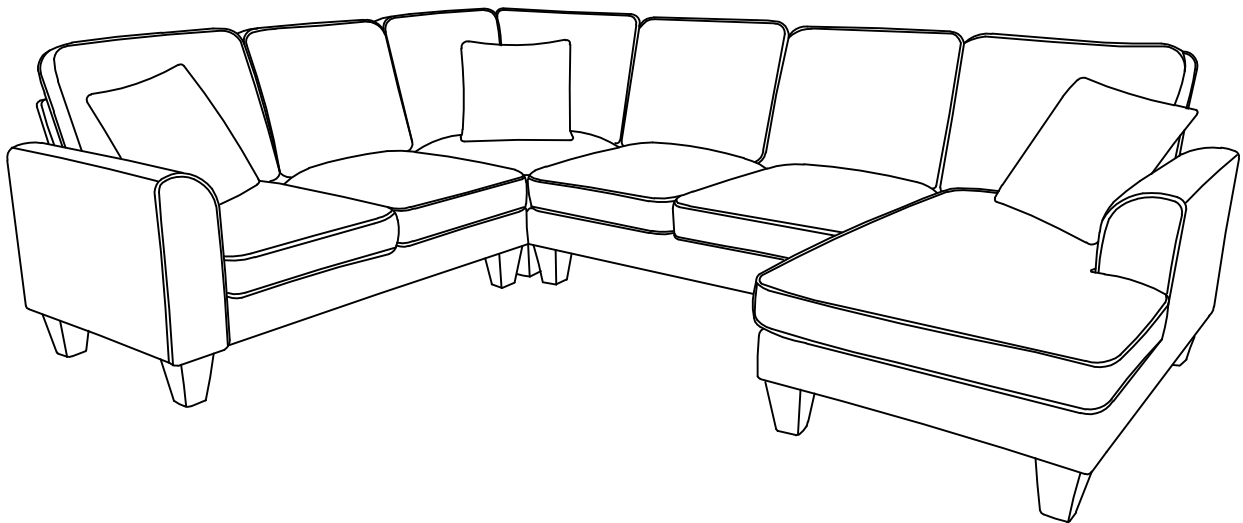


ASSEMBLY INSTRUCTION

Friendly Reminder:

- 1.This sofa is packed in 5 boxes. Please assemble it After all boxes are received.
- 2.As the cushions are all vacuum compressed,there will be some wrinkles. Please give your cushions up to 72 hours to reach its original size and the wrinkles will basically disappear.
- 3.Please do not open the compressed packags until your sofa frame is completely assembled.

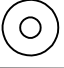
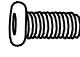
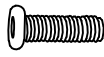






Return & Warranty policy:

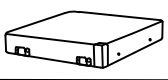
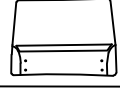
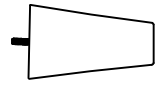



- We strive to offer the highest quality products,and we also try our best to satisfy each and every customer that orders from us with replacement parts or service as needed.
- If the item is damaged or defective, please take photos as evidence for replacements and refunds.
- Please do not return to store,contact the seller if you have any troubles with this product.

ASSEMBLY INSTRUCTION

HARDWARE

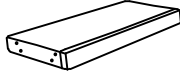
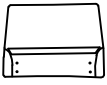
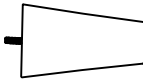

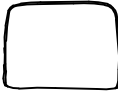
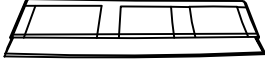
NO	DESCRIPTION	SKETCH	QTY
1	Washer		40
2	Screws 8X40		14
3	Screws 8X60		4
4	Screws 8X80		18
5	Butterfly nut		4
6	Wrench		1
7	Plastic gasket		16

PARTS LIST



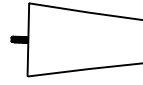



NO	DESCRIPTION	SKETCH	QTY
C	Corner wood frame		1
H	Corner back frame		2
I	Leg		4
K	Corner seat cushion		1
N	Corner back cushion (left)		1
O	Corner back cushion (right)		1

ASSEMBLY INSTRUCTION


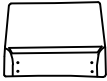



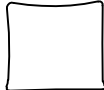

PARTS LIST

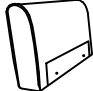
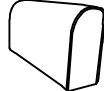
NO	DESCRIPTION	SKETCH	QTY
A	Seat frame (left)		1
G	Back frame		2
I	Leg		4
J	Seat cushion		2
M	Back cushion		2
Q	Back cover (short)		1

PARTS LIST

NO	DESCRIPTION	SKETCH	QTY
B	Seat frame (right)		1
G	Back frame		2
I	Leg		4
J	Seat cushion		2
M	Back cushion		2
S	Back cover (long)		1

ASSEMBLY INSTRUCTION

PARTS LIST			
NO	DESCRIPTION	SKETCH	QTY
D	Chaise frame		1
G	Back frame		1
I	Leg		4
L	Chaise cushion		1
M	Back cushion		1
P	Throw pillow		3
R	Inserts		2

PARTS LIST			
NO	DESCRIPTION	SKETCH	QTY
E	Armrest (left)		1
F	Armrest (right)		1

All parts and hardwares.

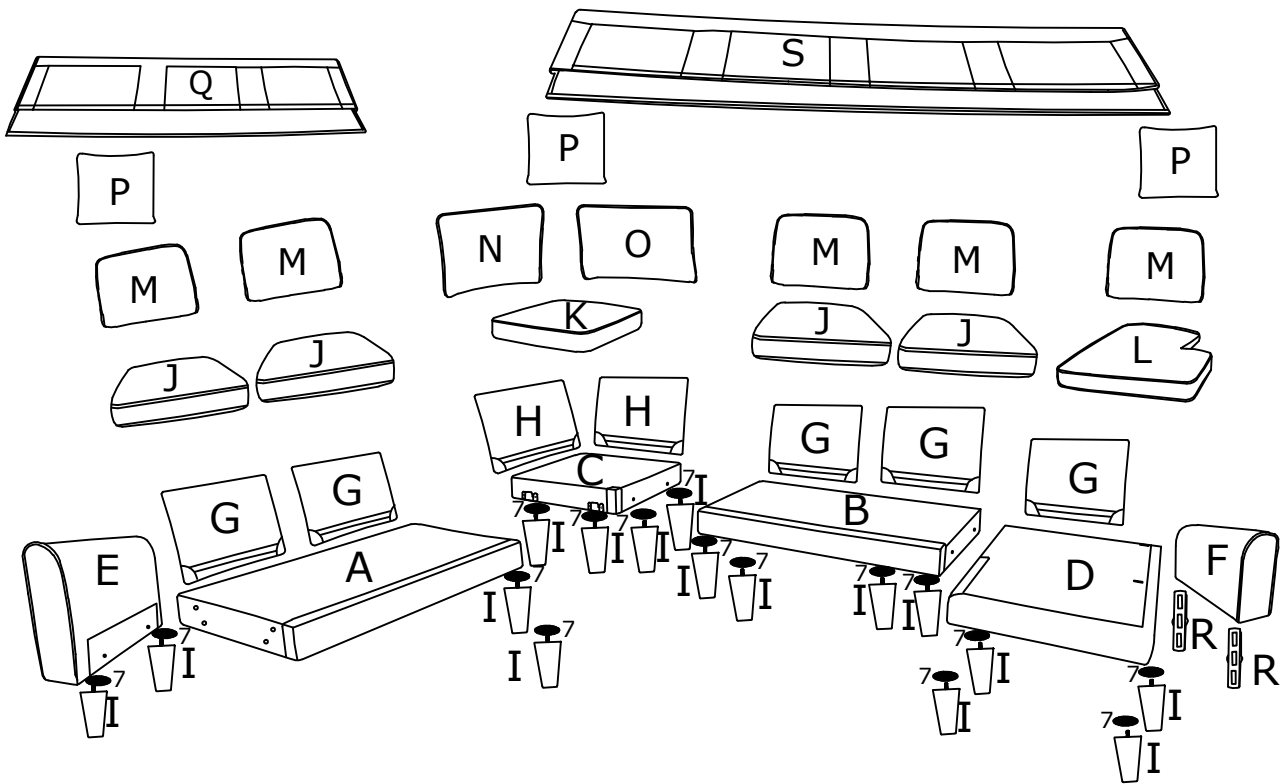


DIAGRAM 1 (Take out all parts)

Take the Back frame(Parts G)Leg(Parts I)Seat cushion(Parts J)Back cushion(Parts M) Back cushion(short)(Parts Q)out of the Seat frame (left) (Parts A).

Take the Back frame(Parts G)Leg(Parts I)Seat cushion(Parts J)Back cushion(Parts M) Back cover(long)(Parts S)out of the seat frame (right)(Parts B).

Take the Corner back frame(Parts H)Leg(Parts I)Corner seat cushion(Parts K)Corner back cushion (left) (Parts N) Corner back cushion (right)(Parts O)out of the Corner wood frame(Parts C).

Take the Back frame(Parts G)Leg(Parts I)Chaise cushion(Parts L)Back cushion(Parts M)Throw pillow (Parts P)Inserts(Parts R)out of the Chaise frame(Parts D).

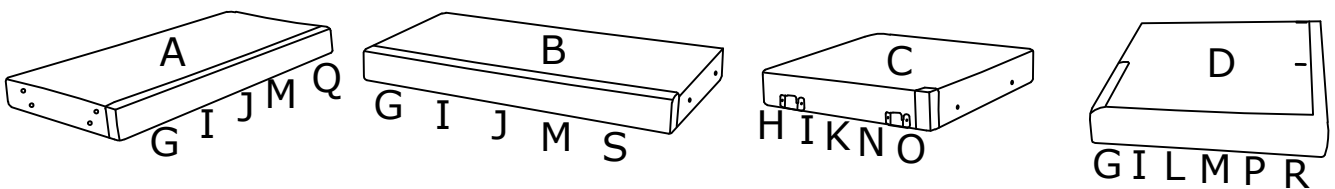




DIAGRAM 2 (Assemble the Armrest (left) to the Seat frame (left))

Connect the Armrest(left) (Parts E) with the Screws M8X60 (Hardware 3) and the Washer (Hardware 1) by Wrench(Hardware 6).

1		4PCS
3	 M8X60	4PCS

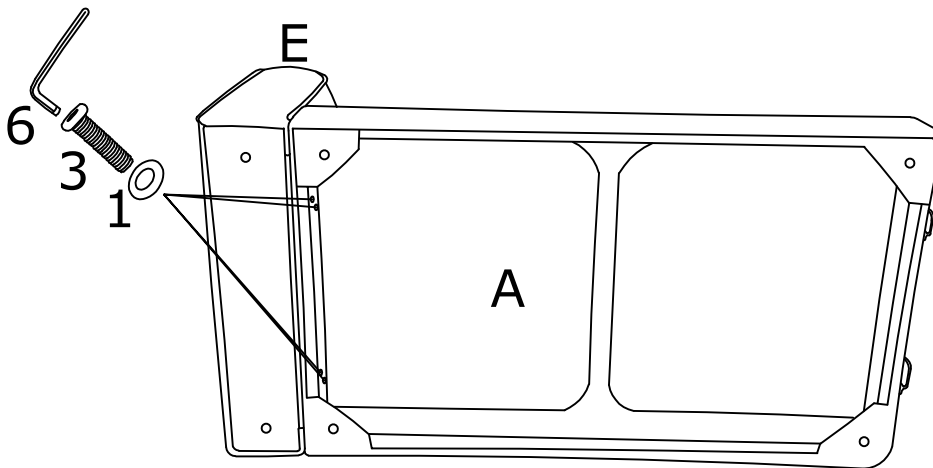





DIAGRAM 3 (Assemble the Corner wood frame, Seat frame (right) and Chaise frame)

Connect the Corner wood frame(Parts C) and Seat frame (right) (Parts B) with the Chaise frame(Parts D) the Screws M8X80 (Hardware 4) with the Butterfly nuts(Hardware 5) and the Washer (Hardware 1) by Wrench(Hardware 6).

1		8PCS
4	 M8X80	4PCS
5		4PCS

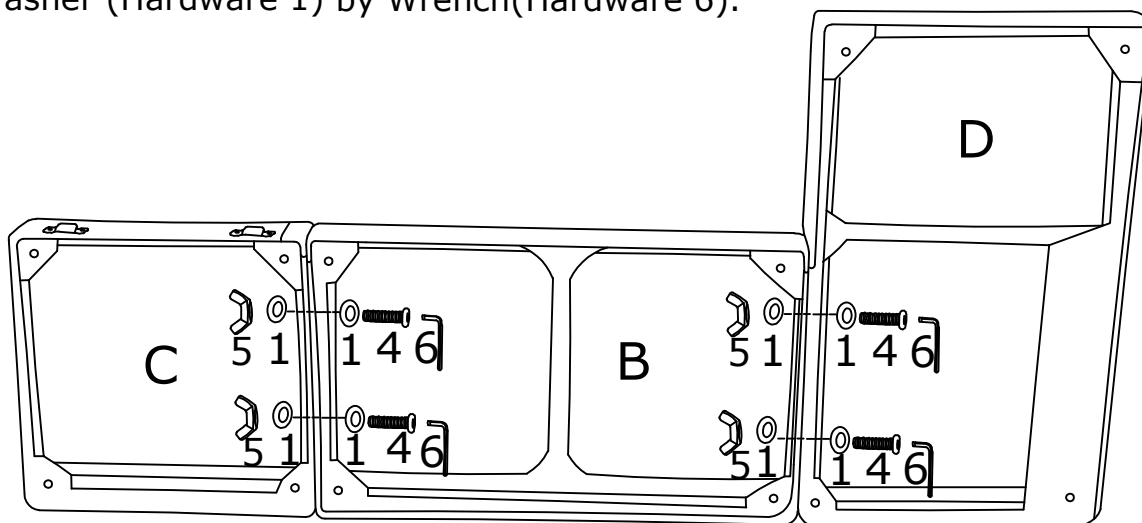




DIAGRAM 4 (Assemble the Legs)

Tighten 4 Legs (Parts I) by Plastic gasket(Hardware 7).

7		4PCS
I		4PCS

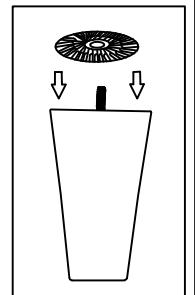
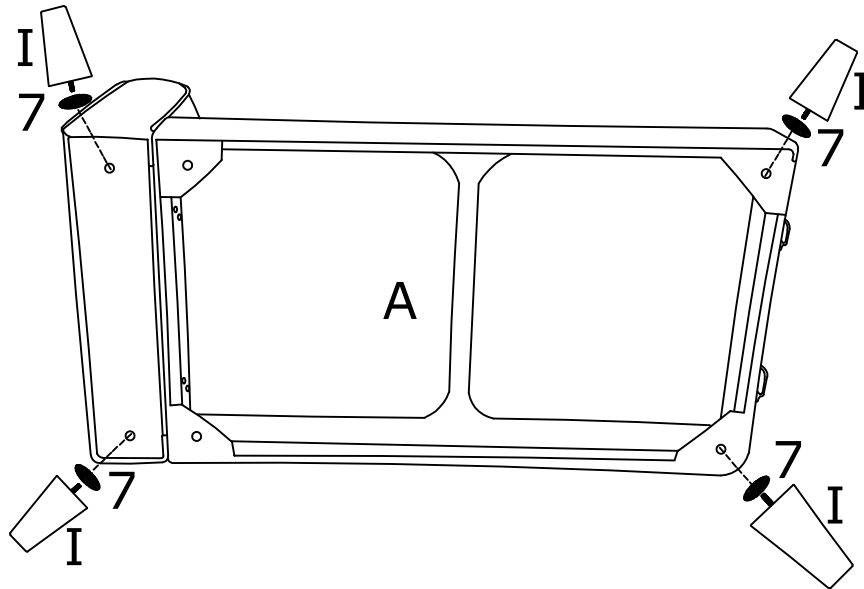

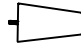


DIAGRAM 5 (Assemble the Legs)

Tighten 12 Legs (Parts I) by Plastic gasket(Hardware 7).

7		12PCS
I		12PCS

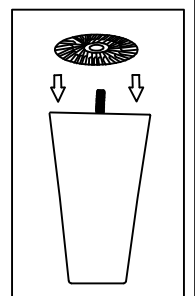
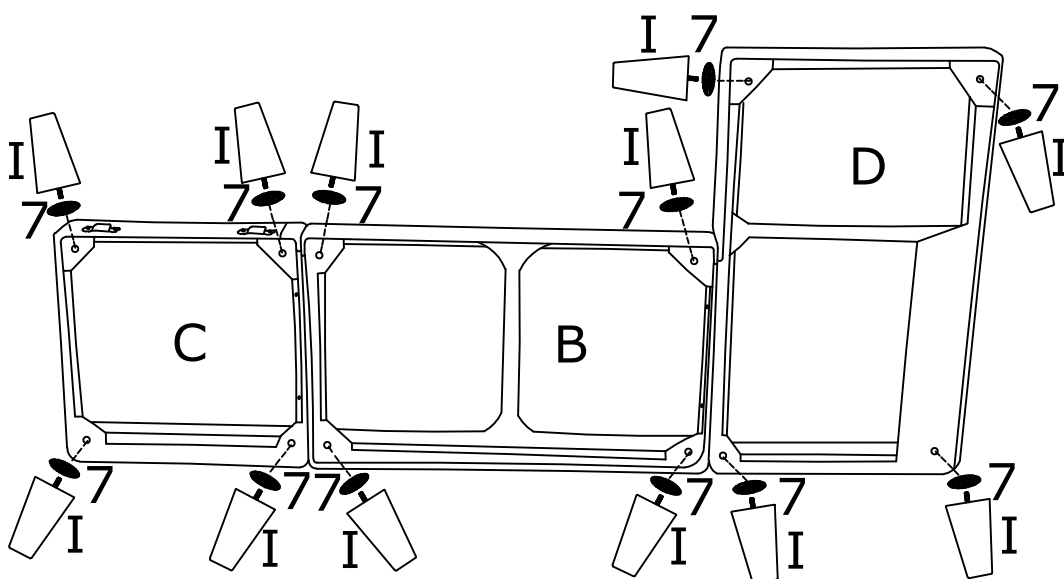
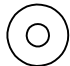




DIAGRAM 6 (Assemble the Back frame)

Connect the Back frame (Parts G) with the Screws M8X40 (Hardware 2) and Screws M8X80(Hardware 4) the Washer (Hardware 1)by Wrench(Hardware 6).

Please install the top screws first, then the bottom screws.
Make sure all the screws are in the holes before tightening all the screws.

1		8PCS
2	 M8X40	4PCS
4	 M8X80	4PCS

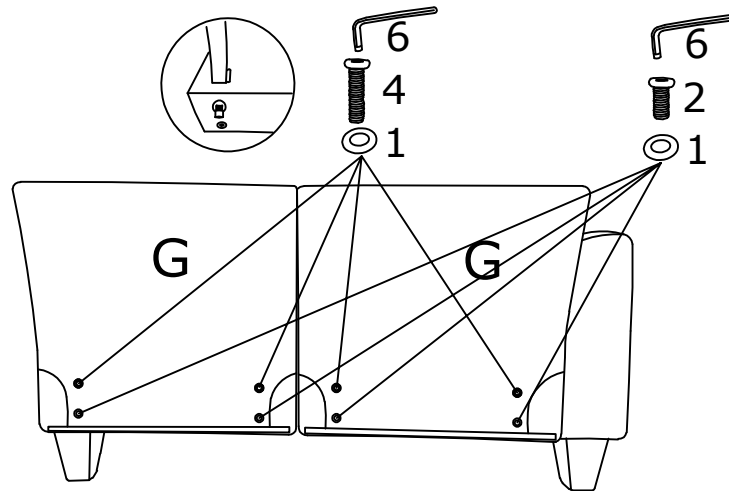
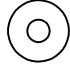




DIAGRAM 7 (Assemble the Corner back frame)

Connect the Corner Back frame(Parts H)with the Screws M8X40 (Hardware 2) and Screws M8X80(Hardware 4) the Washer (Hardware 1)by Wrench(Hardware 6).

Please install the top screws first, then the bottom screws.
Make sure all the screws are in the holes before tightening all the screws.

1		4PCSx2
2	 M8X40	2PCSx2
4	 M8X80	2PCSx2

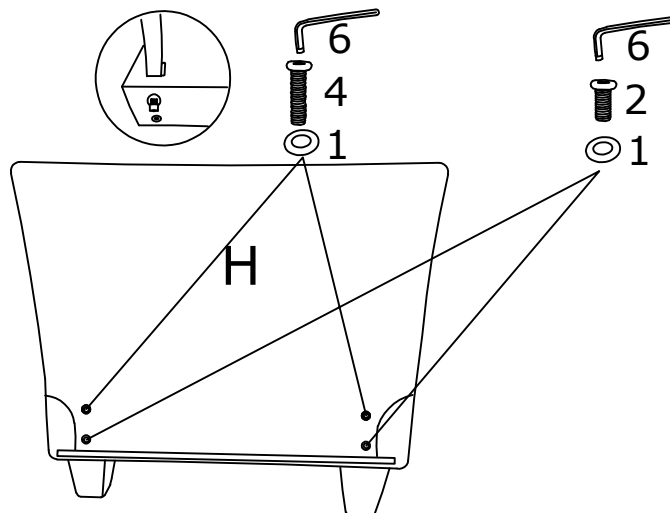
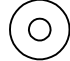




DIAGRAM 8 (Assemble the Back frame)

Connect the Back frame (Parts G) with the Screws M8X40 (Hardware 2) and Screws M8X80(Hardware 4) the Washer (Hardware 1)by Wrench(Hardware 6).

Please install the top screws first, then the bottom screws.
Make sure all the screws are in the holes before tightening all the screws.

1		8PCS
2	 M8X40	4PCS
4	 M8X80	4PCS

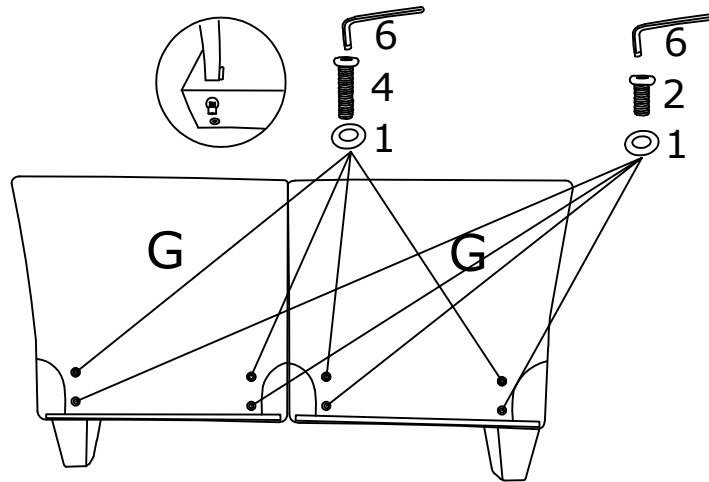





DIAGRAM 9 (Assemble the Back frame)

Connect the Back frame(Parts G)with the Screws M8X40 (Hardware 2) and Screws M8X80(Hardware 4) the Washer (Hardware 1)by Wrench(Hardware 6).

Please install the top screws first, then the bottom screws.
Make sure all the screws are in the holes before tightening all the screws.

1		4PCS
2	 M8X40	2PCS
4	 M8X80	2PCS

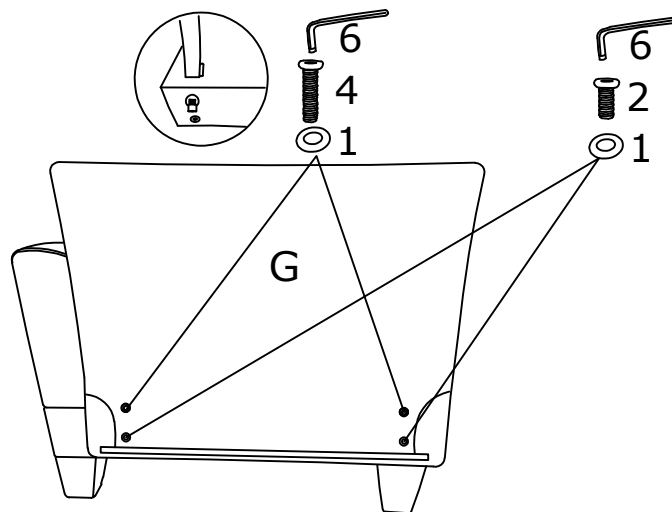


DIAGRAM 10 (Connecting the Seat frame to the Corner wood frame)

First insert the Armrest(right) into the Chaise frame, and connect the Seat frame (left) (Parts A) to the Corner wood frame (Parts C).

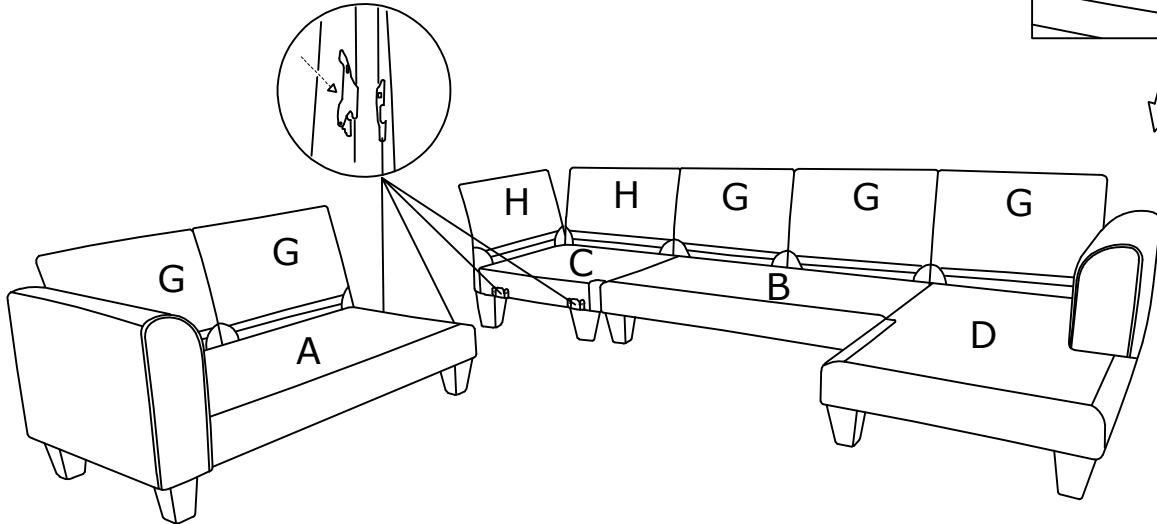
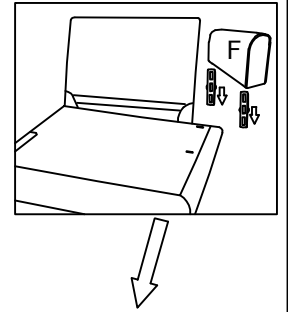


DIAGRAM 11 (Put the Back cover (short) and Back cover (long) on the Back frame)

Place the Back cover (short) (Parts Q) and Back cover (long) (Parts S) on the Back frame.

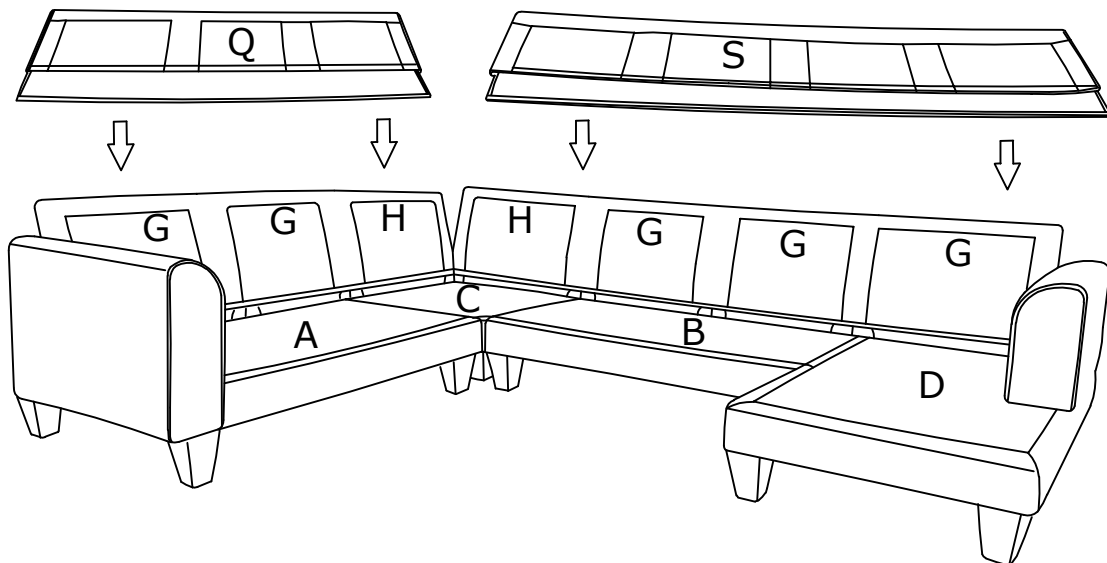


DIAGRAM 12 (Removal of compression bags)

Remove the Seat cushion(Parts J)the Chaise cushion(Parts L) the Corner seat cushion(Parts K).

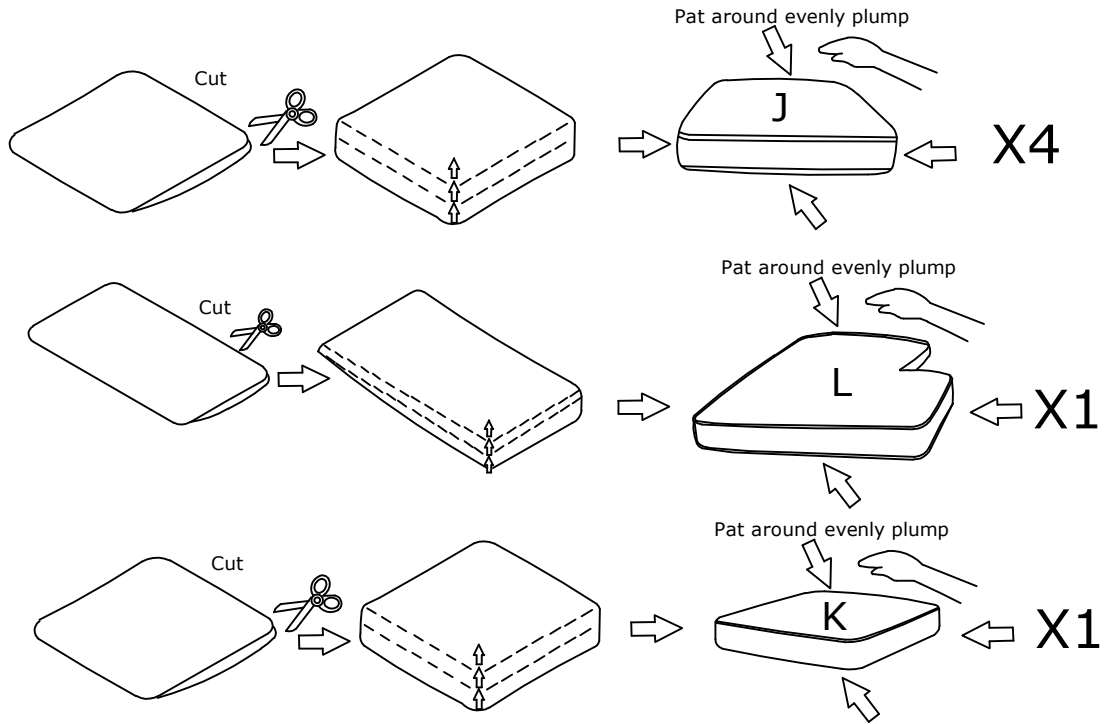


DIAGRAM 14 (Removal of compression bags)

Remove the Back cushion (Parts M) the Throw pillow (Parts P).

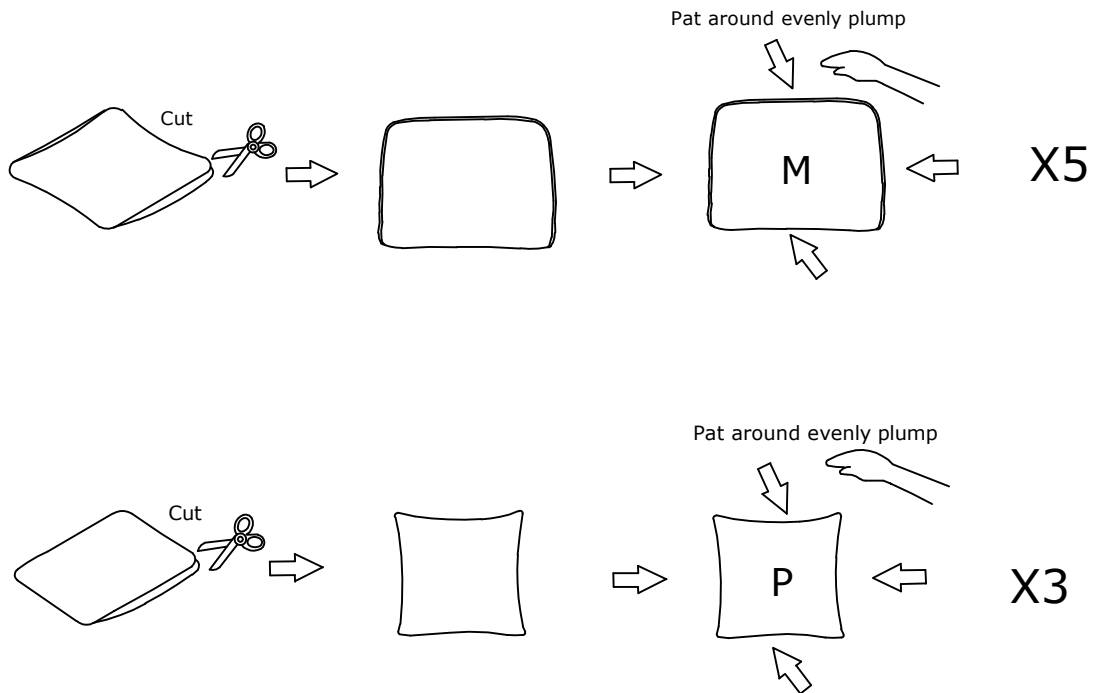
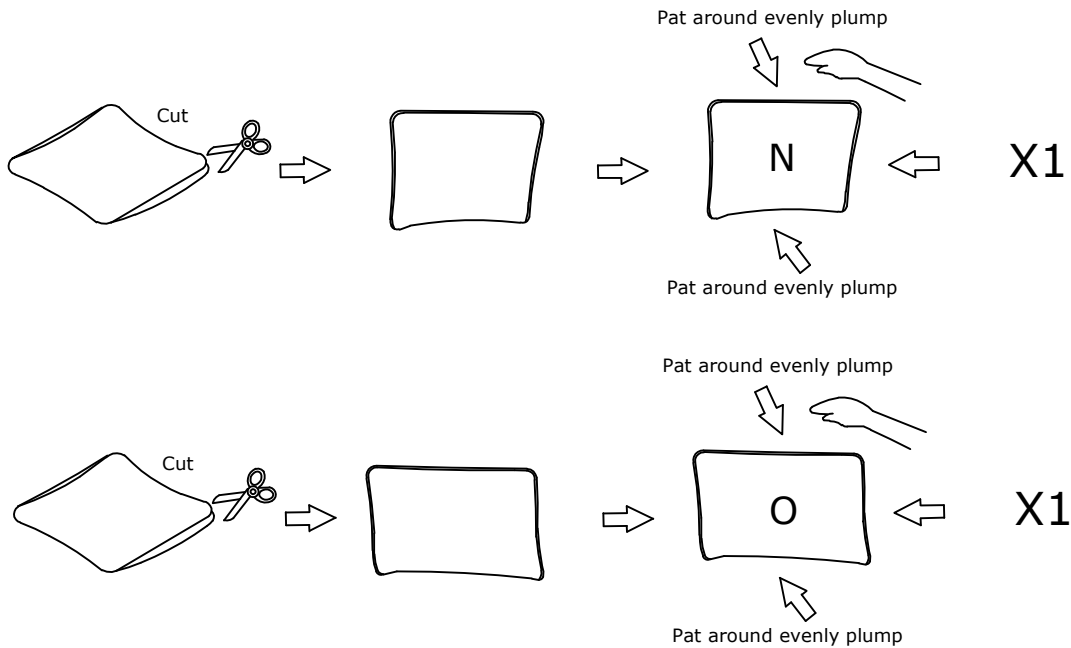


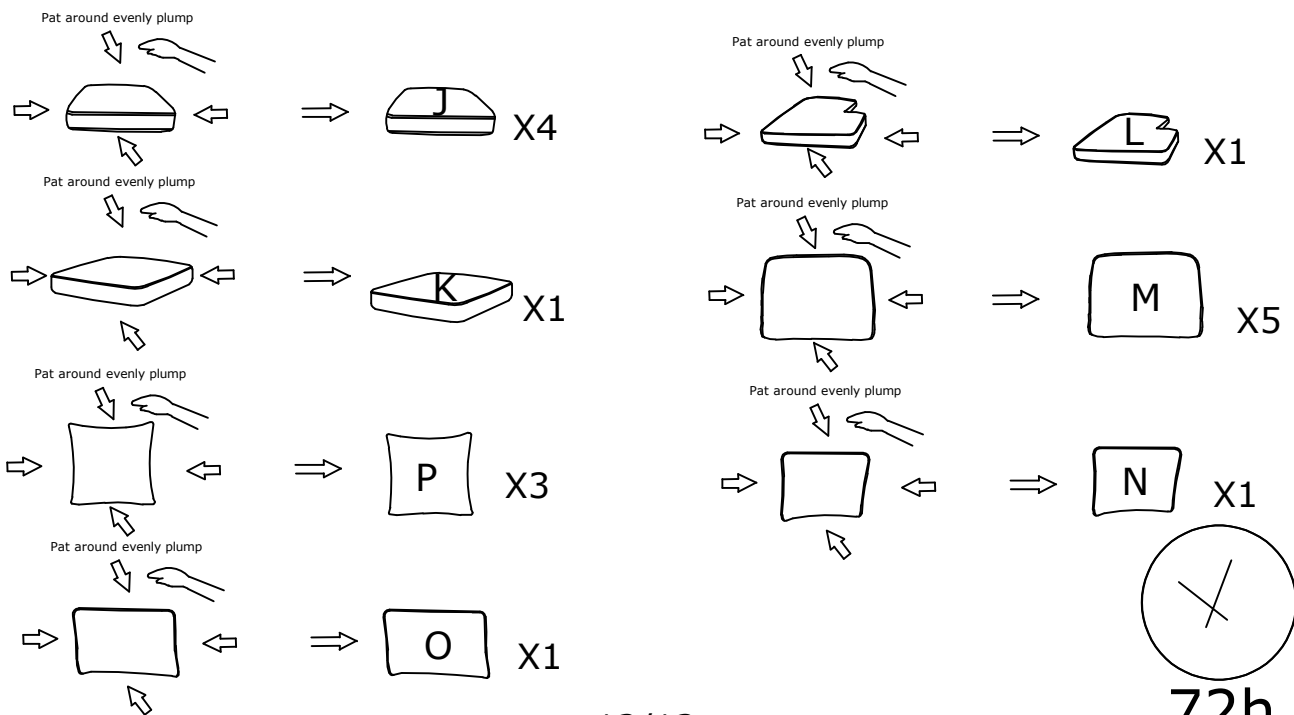
DIAGRAM 15 (Removal of compression bags)

Remove the Corner back cushion (left) (Parts N) Corner back cushion (right) (Parts O).



TIPS:

1. Please do not open the compressed packages until your sofa frame is completely assembled.
2. Compressed back cushions and pillows need to be fully fulfilled within 72 hours for your perfect use.
3. Please keep children away from plastic bags or any small pieces of stuff.



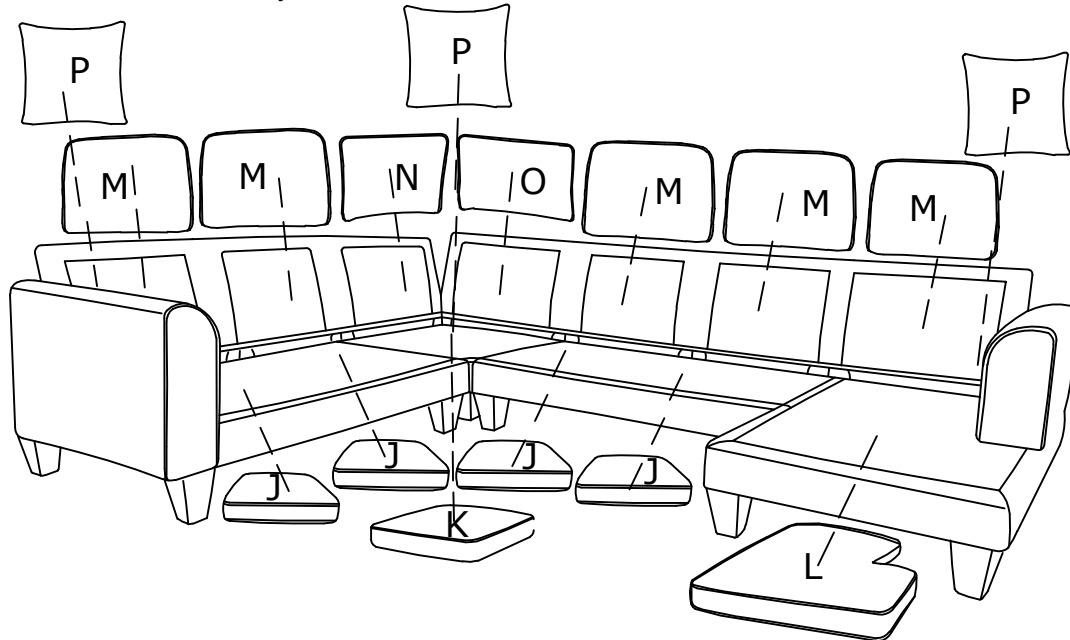
12/13

72h

DIAGRAM 16(Place the Seat cushion,Back cushion and Throw pillow on the sofa)

Put the Seat cushion (Parts J) the Corner seat cushion(Parts K) the Chaise cushion (Parts L) the Back cushion(Parts M) the Corner back cushion (left) (Parts N)the Corner back cushion (right) (Parts O) and the Throw pillow (Parts P) on the sofa.

Recheck all the bolts before you sit on the sofa.



TIPS:

1. Please do not open the compress packaging until your sofa frame is completely assembled.
2. Compress back cushions and pillows need to be fully fulfilled within 72 hours for your perfect use.
3. Please keep children away from plastic bags or any small pieces of stuff.

