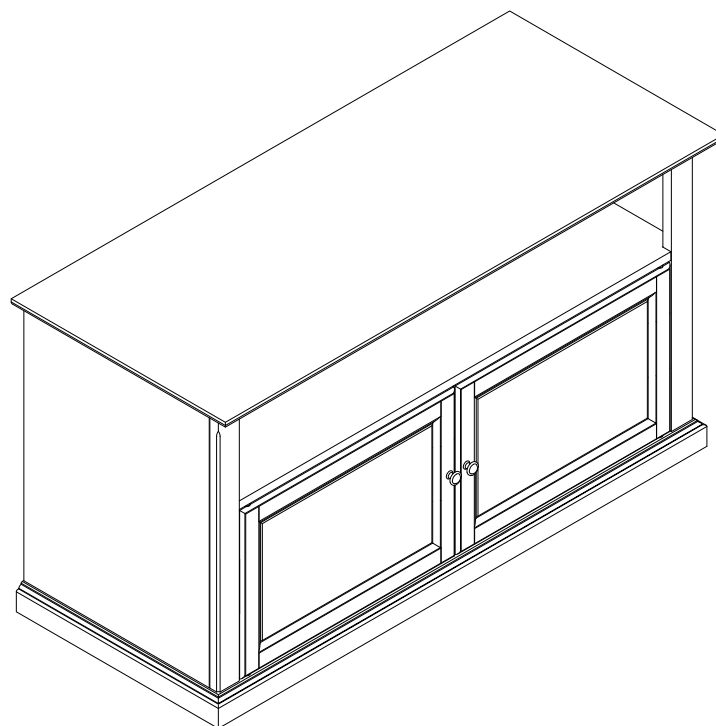


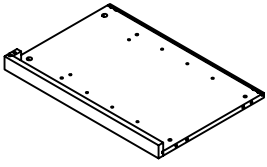
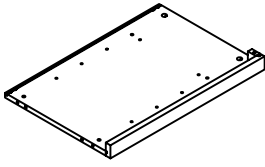
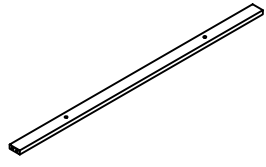
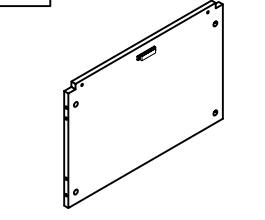
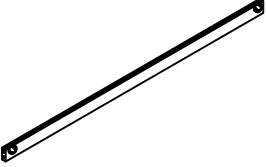
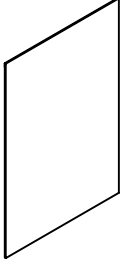

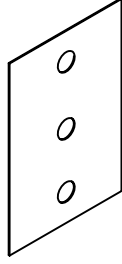
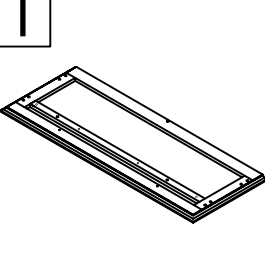
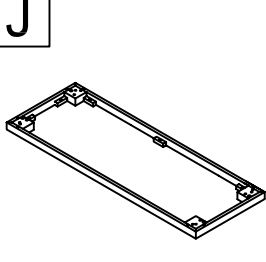
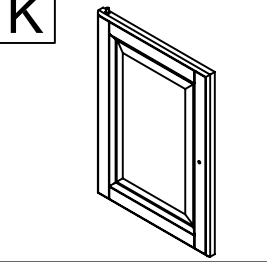
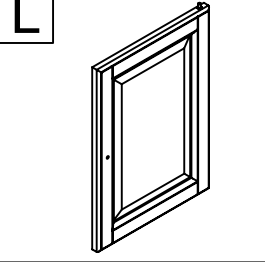
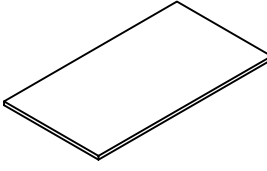
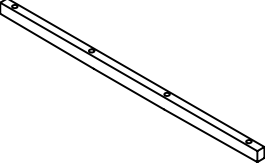
# 42" TV Stand Cabinet



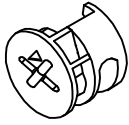
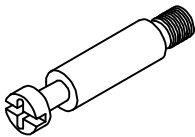
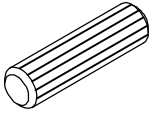


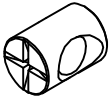
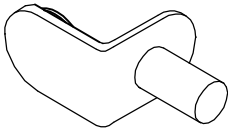

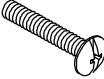
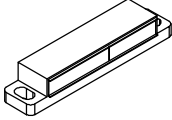
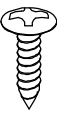
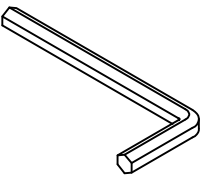

Congratulations! You have purchased a stylish piece of our furniture. We strived to provide fine furniture products, built with quality materials and hand finished details. Please carefully follow the assembly instructions to ensure your furniture is assembled correctly to provide long lasting enjoyment.

**Care:** Use a soft clean cloth that will not scratch the surface when dusting. Use of furniture polish is not necessary. Should you choose to use polishes, test in an inconspicuous area first. Use of solvents of any kind may damage your furniture's finish. To clean, simply use a soft clean cloth moistened with lukewarm water, then buff with a dry soft clean cloth.

# PART LIST

<b>A</b> 	<b>B</b> 	<b>C</b> 	<b>D</b> 	<b>E</b> 
1 PC	1 PC	1 PC	1 PC	2 PCS
<b>F</b> 	<b>G</b> 	<b>H</b> 	<b>I</b> 	<b>J</b> 
2 PCS	2 PCS	1 PC	1 PC	1 PC
<b>K</b> 	<b>L</b> 	<b>M</b> 	<b>N</b> 	
1 PC	1 PC	1 PC	1 PC	

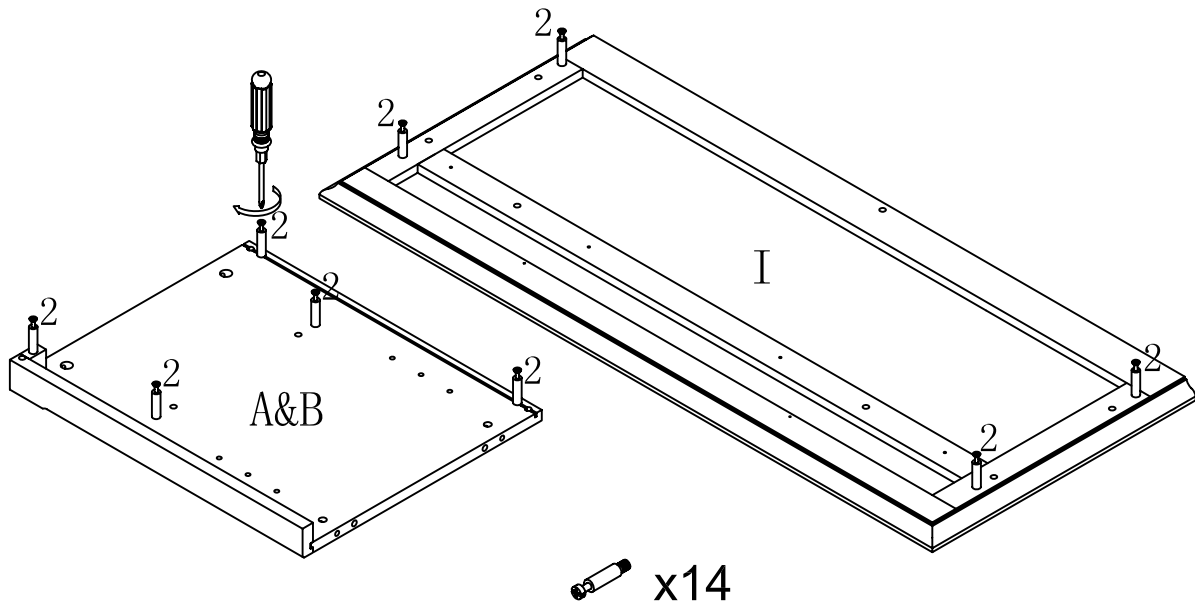
# HARDWARE LIST

<p>1</p> 	<p>2</p> 	<p>3</p> 	<p>4</p> 	<p>5</p> 
<p>CAM LOCK 14 PCS</p>	<p>CAM BOLT 14 PCS</p>	<p>WOOD DOWEL 30 PCS</p>	<p>SCREW 2 PCS</p>	<p>HEX SOCKET HEAD BOLT 4 PCS</p>
<p>6</p> 	<p>7</p> 	<p>8</p> 	<p>9</p> 	<p>10</p> 
<p>BARREL NUT 4 PCS</p>	<p>SHELF HOLDER 4 PCS</p>	<p>KNOB 2 PCS</p>	<p>ROUND HEAD BOLT 2 PCS</p>	<p>MAGNET 1 PC</p>
<p>11</p> 	<p>12</p> 	<p>13</p>  <p>1-1/4" * Ø4 * D8mm</p>		
<p>ROUND HEAD SCREW 2 PCS</p>	<p>ALLEN KEY 1 PC</p>	<p>SCREW 4 PCS</p>		

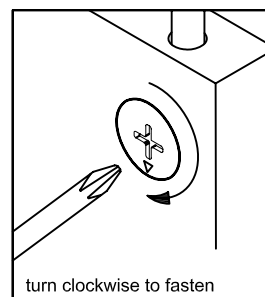
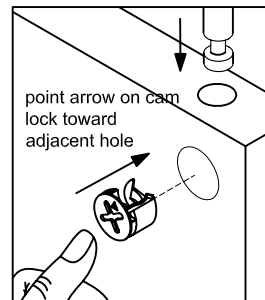
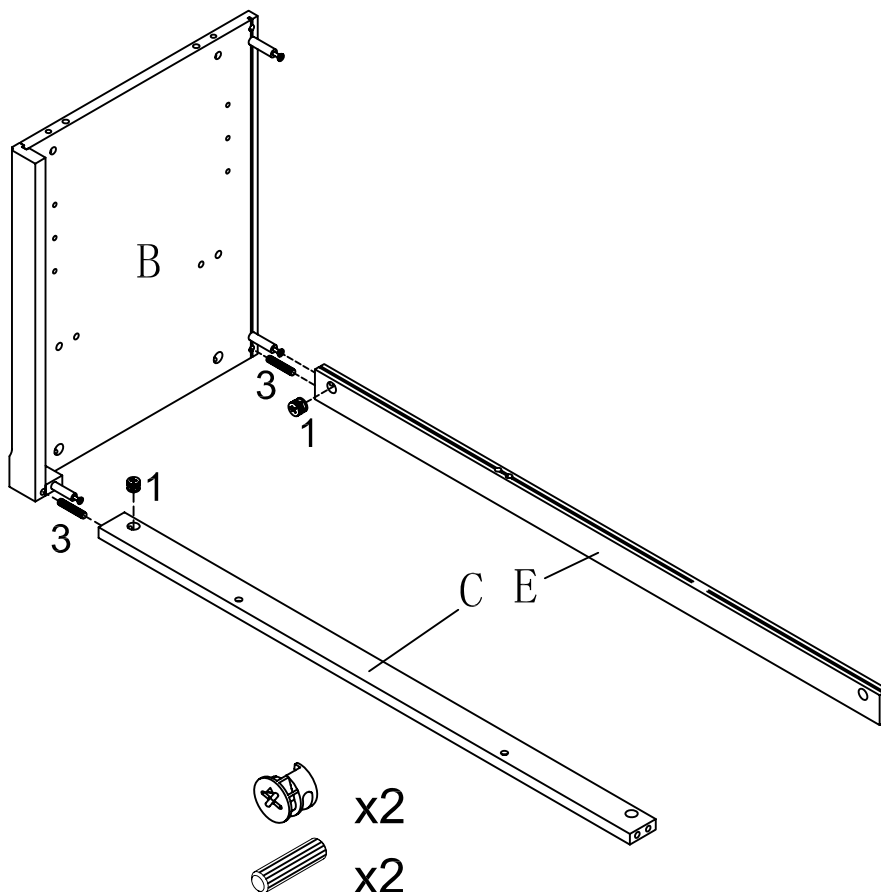
Tools needed: Allen key (part #12)(included)  
Phillips Head Screw Driver (Not included)

**Note: Wood dowels are intended for alignment purposes only when assembling your furniture. Additional clearance between the wood dowel & pre-drilled holes is intentional for ease of assembly.**

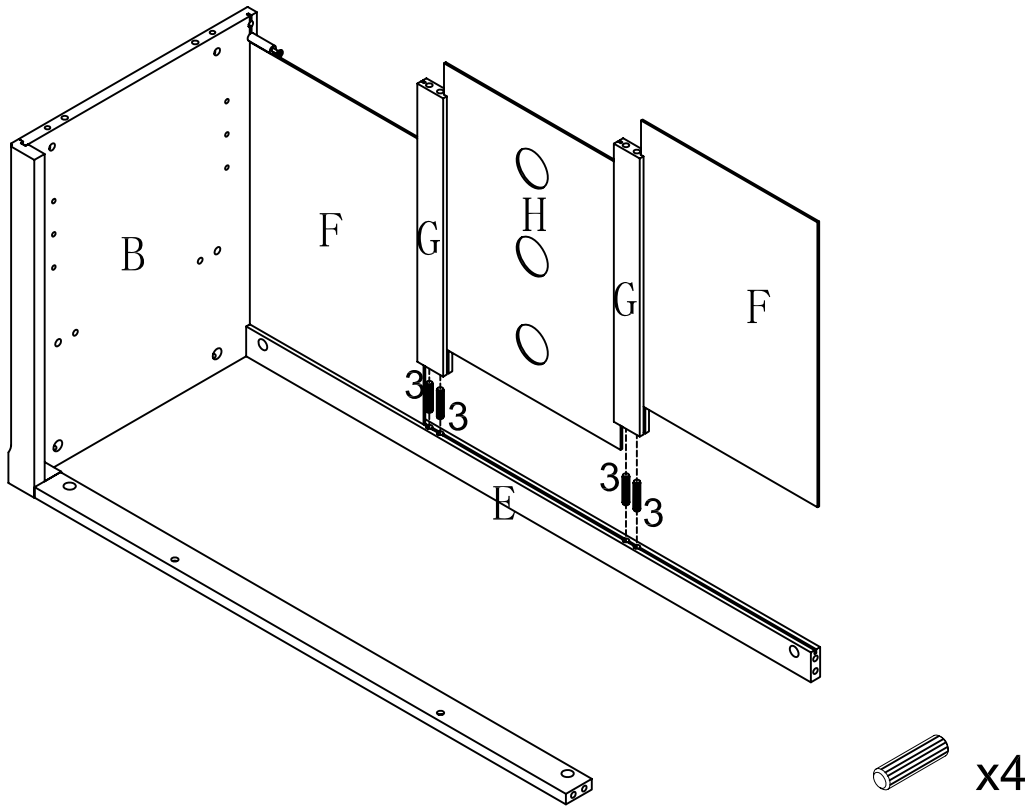
Step 1. Insert Cam Bolts (part #2) into pre-drilled holes of parts A, B & I using a Phillips head screw driver.



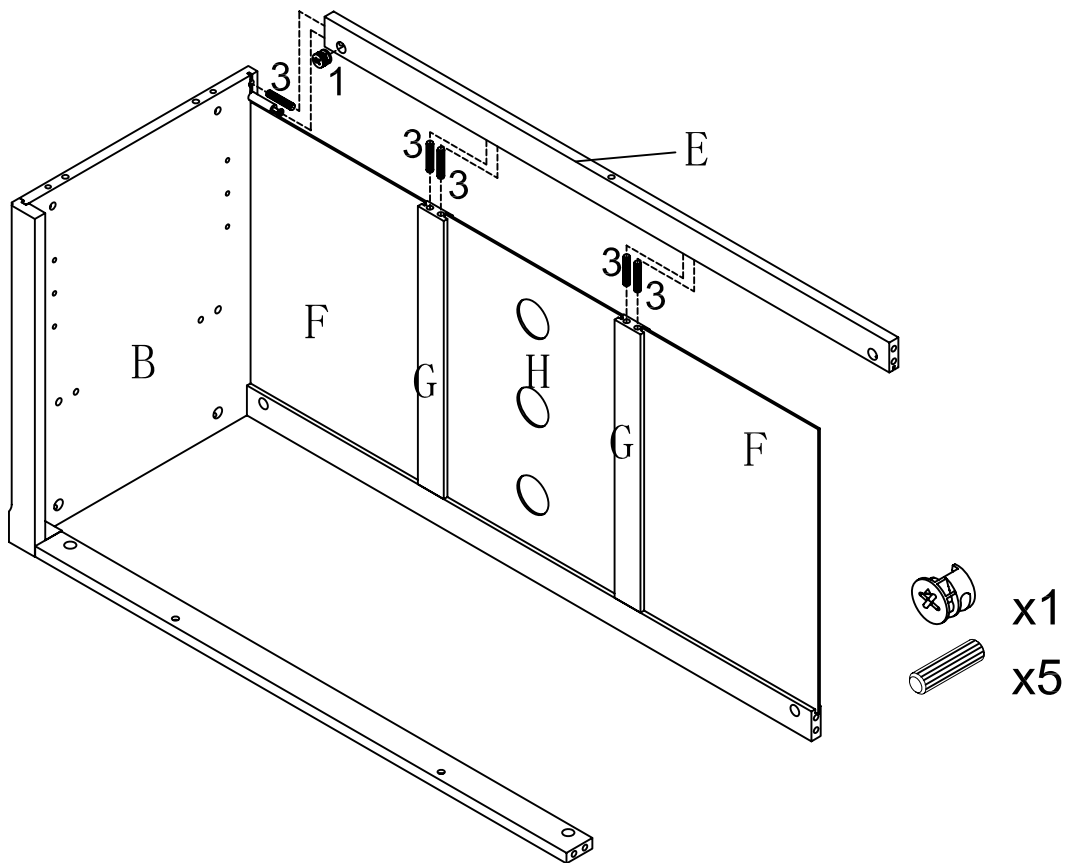
Step 2. Attach Panel B to rails C & E using Cam locks & wood dowels as shown.



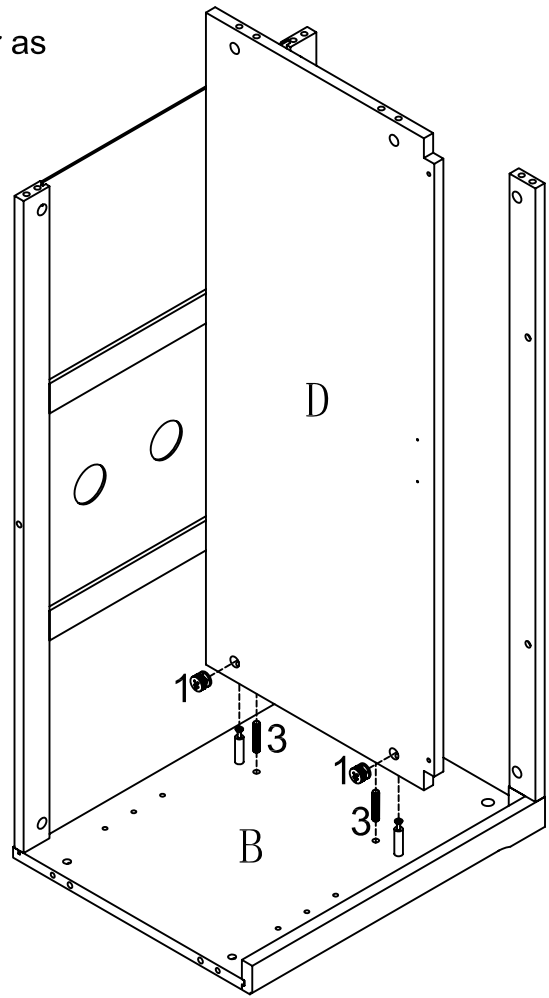
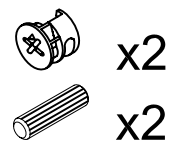
Step 3. Place Rails G into place on Rail E using Wood dowels as shown. Slide Back panels F & Panel H into the grooves as shown.



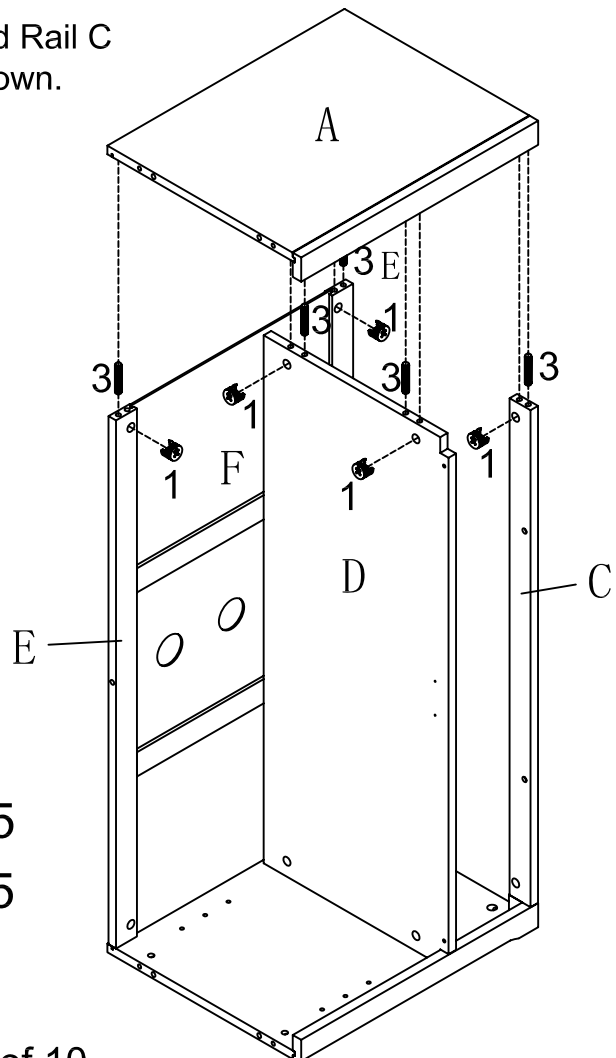
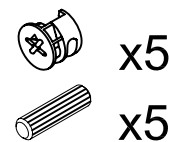
Step 4. Insert Wood dowels into the top end of rails G. Attach rail E to Panel B & Rails G using Wood dowels & Cam lock as shown.



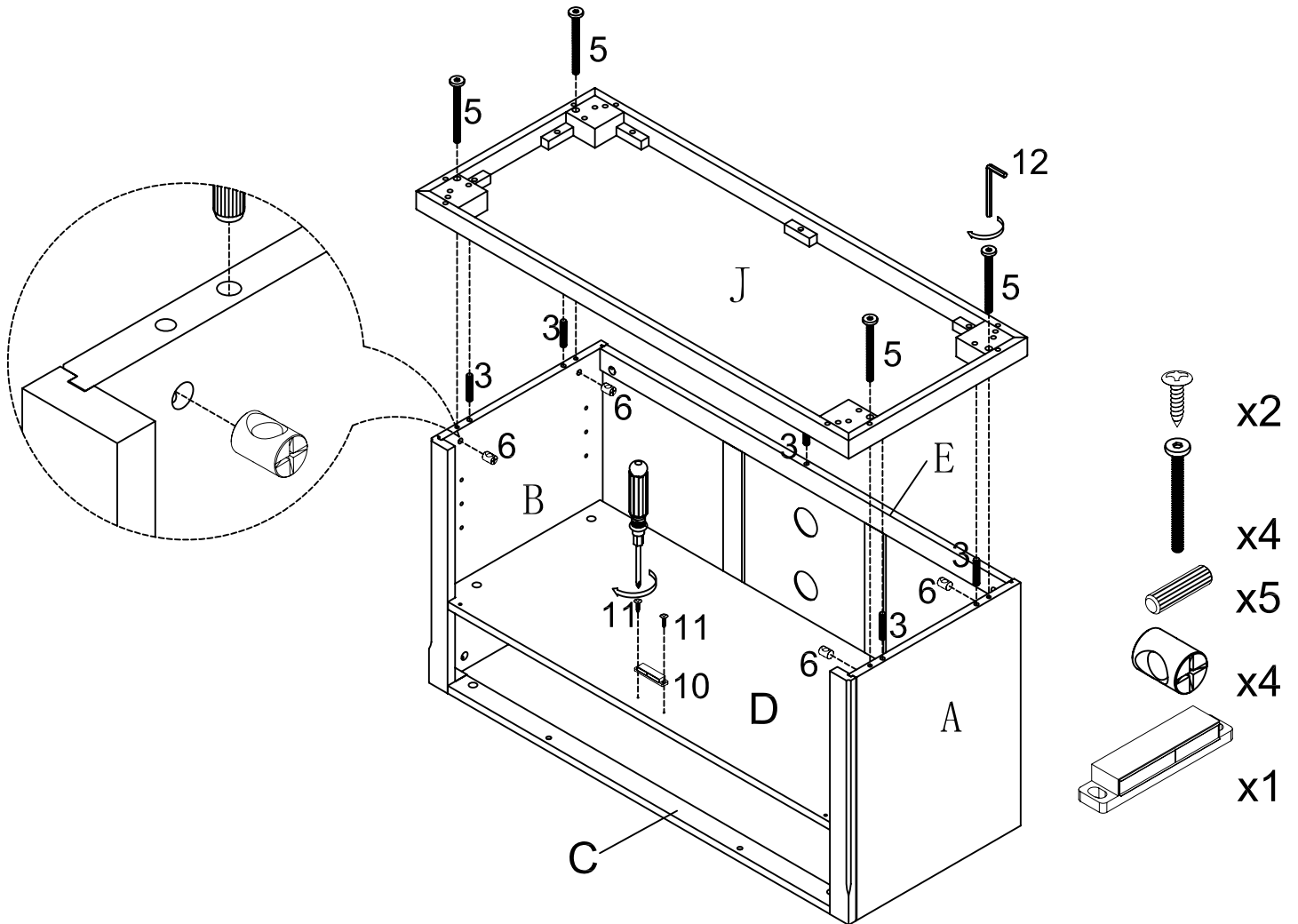
Step 5. Turn unit on its side with Panel B flat on floor as shown. Attach Shelf D to Panel B with Wood dowels & Cam locks as shown.



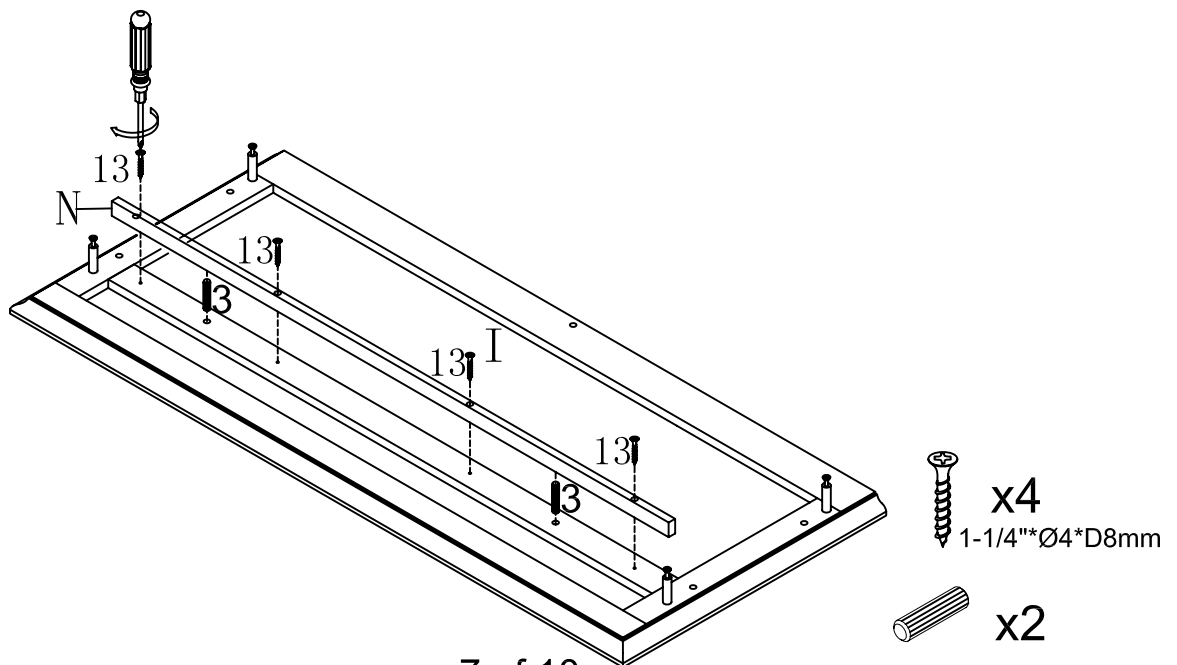
Step 6. Attach Panel A to Rails E, Shelf D, and Rail C with Wood dowels & Cam locks as shown.



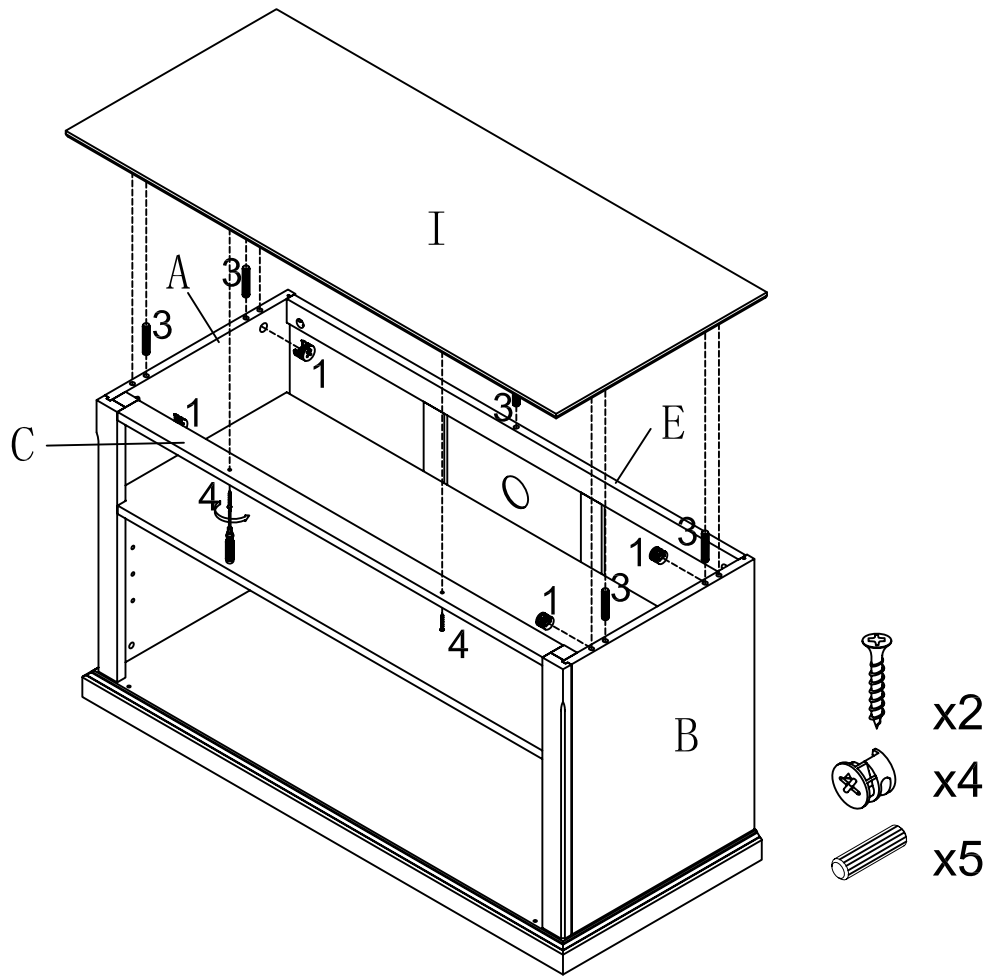
Step 7. Turn cabinet over so that Rail C is flat on ground. The bottom side is now facing upward. Attach Base J to cabinet using Wood dowels, Hex Socket Head Bolts (Part #5) & Barrel nuts (Part #6) as shown. Attach Magnet (Part #10) to Shelf D with Round Head Screws (Part #11) into pre-drilled holes as shown. Attach legs using Hex Socket Head Bolts & Wood dowels (as shown in instruction manual included in carton with legs). Carefully turn cabinet with legs on the floor.



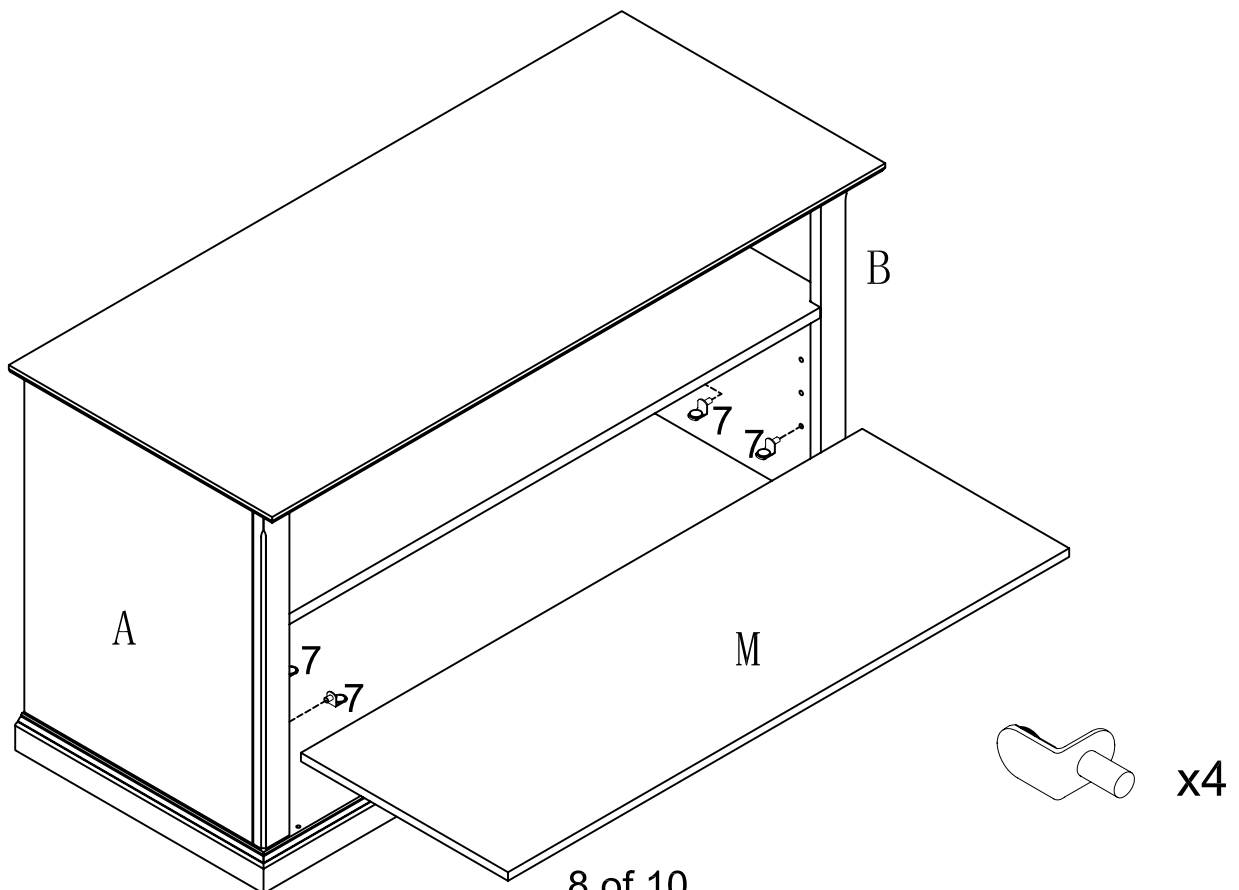
Step 8. Attach Rail N to Top I using wood dowels & Screws as shown.



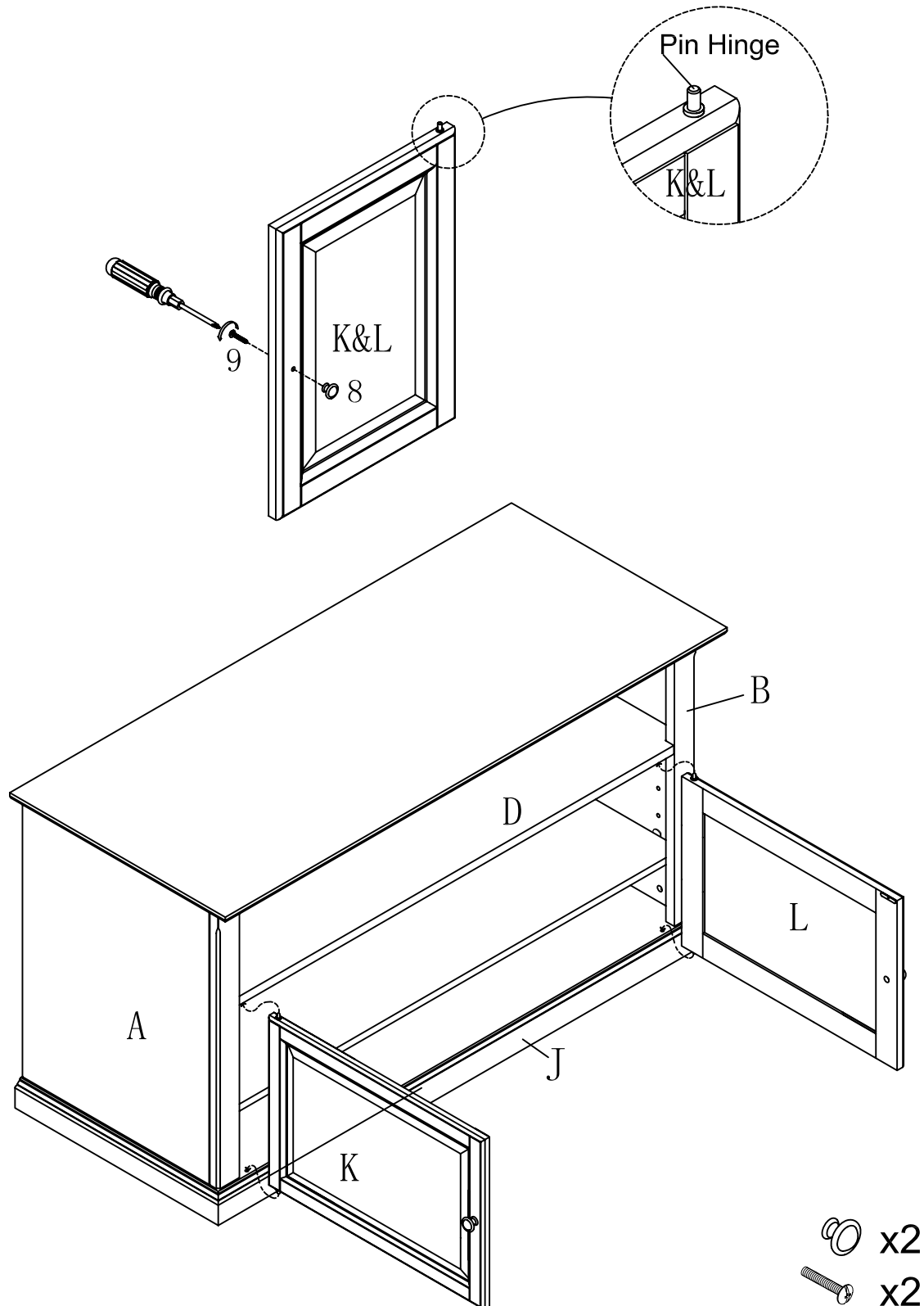
Step 9. Attach Top I to cabinet using Wood Dowels & Cam locks as shown. Secure Rail C to Top I using Screws (Part #4) through pre-drilled holes as shown.



Step 10. Insert the Shelf Holders (Part #7) into desired position, and add shelf M as shown.



Step 11. Attach hardware knobs (Part #8) to Doors K & L using Round Head Bolts (Part #9) and a Phillips Head screw driver. Attach doors to cabinet by placing bottom Pin Hinge into pre-drilled holes in Base J & depressing top spring loaded Pin Hinge to fit door into place. **Note: Be sure Pin Hinges (top & bottom) have fully extended into the pre-drilled holes in Base J and Shelf D to secure doors into place.**



## **Limited Manufacturers Warranty**

Furniture Products are warranted against defects in material and workmanship for a period of 90 days beginning from the date of sale. Should any parts be missing or defective, we will replace or repair the parts for a period of 90 days from the date of purchase.

This warranty gives the purchaser specified legal rights in addition to any rights which may vary from state to state. In accordance with the "Moss-Magnuson Warranty Act" of July 10, 1975, this is termed a "limited warranty" which in no way compromises Furniture's high standards of Quality and Workmanship.