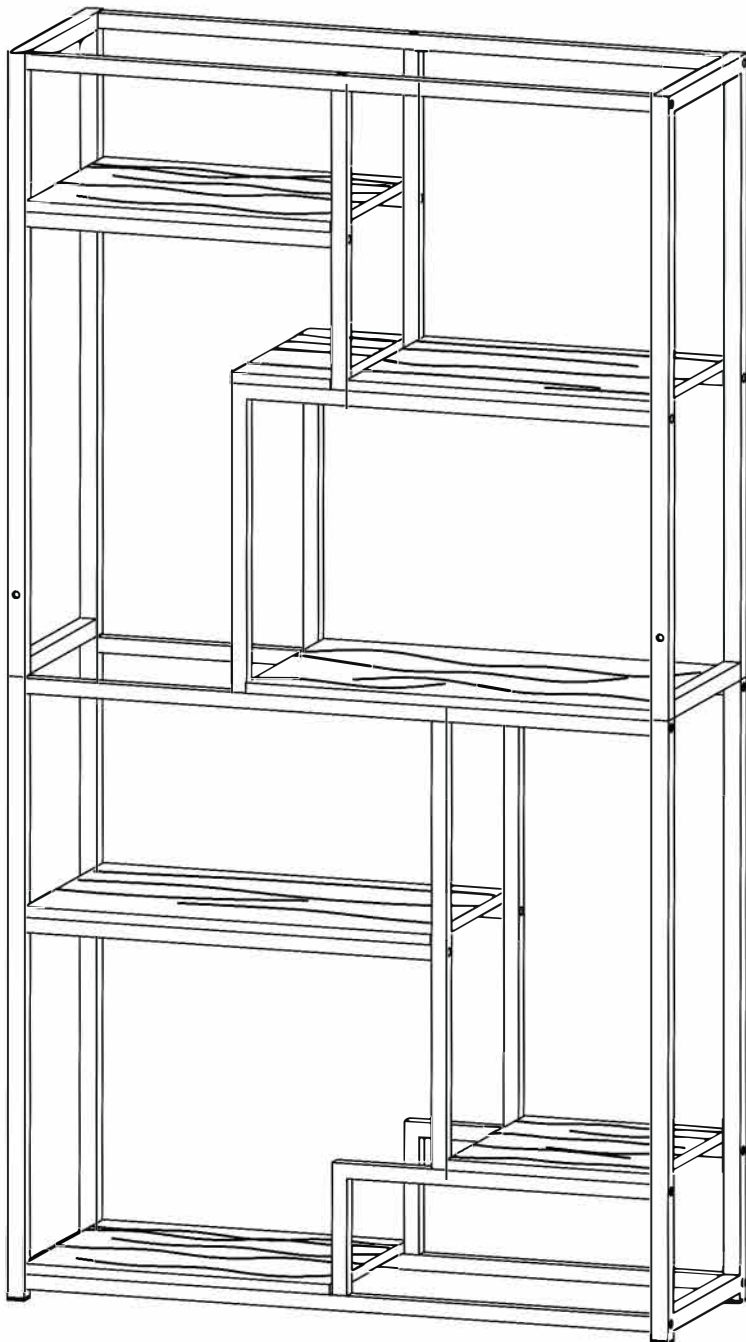


# ASSEMBLY INSTRUCTIONS



## TOOLS REQUIRED



**Allen Wrench**

(Included)



**Phillips  
Screwdriver**

(Not Included)



**2 - Persons  
Recommended**

## ASSEMBLY RATING



EASY —————> DIFFICULT

The Assembly Rating is a 5-point system showing the level of effort needed to assemble a specific product.



## **CHECK BEFORE STARTING**

- Are you missing anything?**  
Double-check all parts, hardware and accessories listed on Page 6 are accounted for.
- Check out our Quick Tips!**  
We recommend reviewing the pre-assembly handouts. Even experts need a refresher now and then!
- Should we send any replacements?**  
Are there any irregularities or flaws in the parts? We can send replacements!
- Prep Time!**  
Please review the assembly instructions and all diagrams prior to assembling. Arrange parts as recommended on Page 7 and group identical hardware together to make assembling easier.

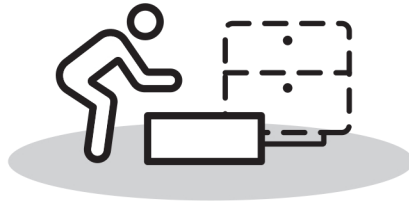
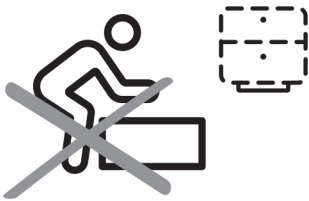
# PRE ASSEMBLY INTRODUCTION

We understand building ready-to-assemble furniture can be a challenging experience for some. To help avoid confusion, we have provided some helpful tips that may speed up the process.



## Teamwork

ALWAYS have at least two people to help with transporting and assembling the product to avoid potential injury and/or damage.



## Suitable Location

Assembling near the area of the intended location is highly recommended.



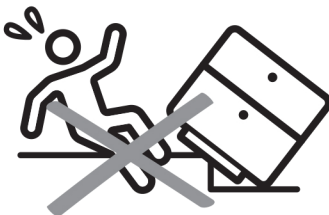
## Sufficient Space

Make sure you have enough space to move around during the assembly.



## Avoid Scratches

Use cardboard, blankets or a carpeted area while assembling furniture to prevent scratches.



## Flat Surface

Make sure the furniture rests on a flat and level surface with each leg evenly touching the floor.

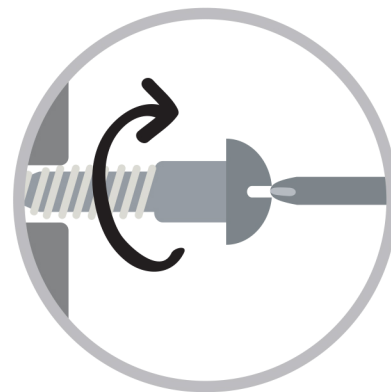
# ASSEMBLY AND CARE ADVICE



**FAILURE TO FOLLOW THE GUIDELINES BELOW MAY RESULT IN INJURY AND/OR PROPERTY DAMAGE.**



Position each part correctly and insert screws or bolts into their respective holes.



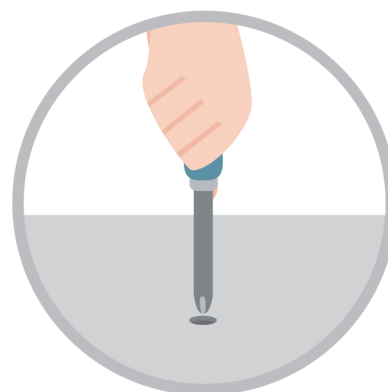
Turn clockwise to tighten and only tighten when step is completed or when instructed to do so.



Use the appropriate hand tools or power tools for assembly. Select steps, such as tightening screws and/or bolts, may require hand tools to avoid causing damage during assembly.



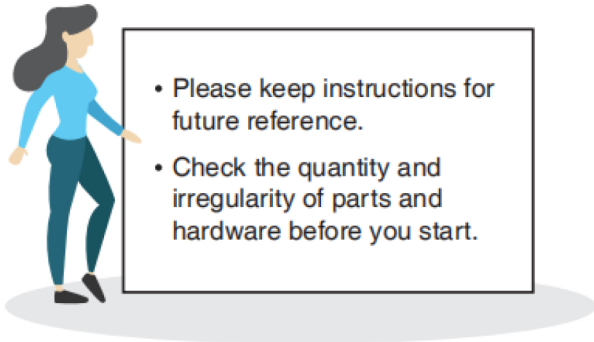
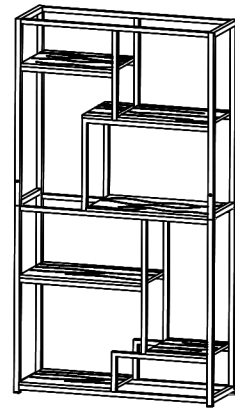
Save the instructions and store any supplied tools for later maintenance.



After two weeks, check and tighten any loose hardware and repeat again every six months thereafter.

**IT IS THE USER'S RESPONSIBILITY TO MAINTAIN THE FURNITURE. THE HARDWARE MAY LOOSEN OVER TIME AND MAY CAUSE THE FURNITURE TO BE WOBBLY AND UNABLE TO SUPPORT ITS INTENDED WEIGHT CAPACITY. THIS MAY LEAD TO COLLAPSE AND MAY CAUSE SERIOUS INJURY.**

# BOOKCASE

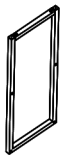


- Please keep instructions for future reference.
- Check the quantity and irregularity of parts and hardware before you start.

Due to the size and/or weight of this product, it is highly recommended that the assembly should be done near the area of its intended location. Make sure you have enough space to move around during the assembly. Always have at least two people to help with transporting and assembling the product to avoid any potential injury and/or damage.

## PARTS

#1 1pc



Left Slide Frame (Up)

#2 1pc



Right Slide Frame (Up)

#3 1pc



Left Slide Frame (Down)

#4 1pc



Right Slide Frame (Down)

#5 2pcs



Stretcher 5 928mm (1 Hole)

#6 2pcs



Stretcher 6 928mm (4 Hole)

#7 2pcs



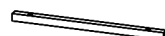
Stretcher 7 928mm (3 Hole)

#8 2pcs



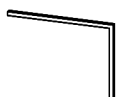
Stretcher 8 427mm

#9 2pcs



Stretcher 9 455mm

#10 2pcs



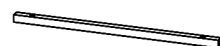
Stretcher 10 Large

#11 2pcs



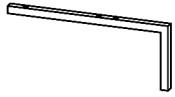
Stretcher 11 660mm

#12 2pcs



Stretcher 12 604mm

#13 2pcs



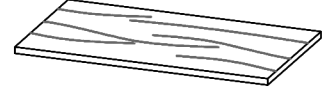
Stretcher 13 Small

#14 3pcs



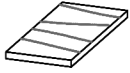
Wood Shelf 14 451x336mm

#15 2pcs



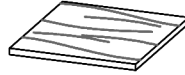
Wood Shelf 15 600x336mm

#16 1pc



Wood Shelf 16 150x336mm

#17 1pc



Wood Shelf 17 302x336mm

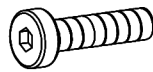
**HARDWARE**

#A 6pcs



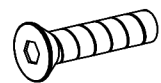
Flat Bolt 1/4" x 1/2"

#B 34pcs



Bolt 1/4" x 1-1/2"

#C 2pcs



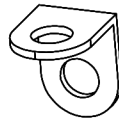
Bolt 1/4"X1-1/2"

#D 26pcs



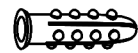
Screw 1-1/4"

#E 4pcs



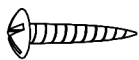
L Bracket

#F 2pcs



Wall Anchor

#G 2pcs



Screw 1"

#H 2pcs



Plastic Strap

#I 1pc

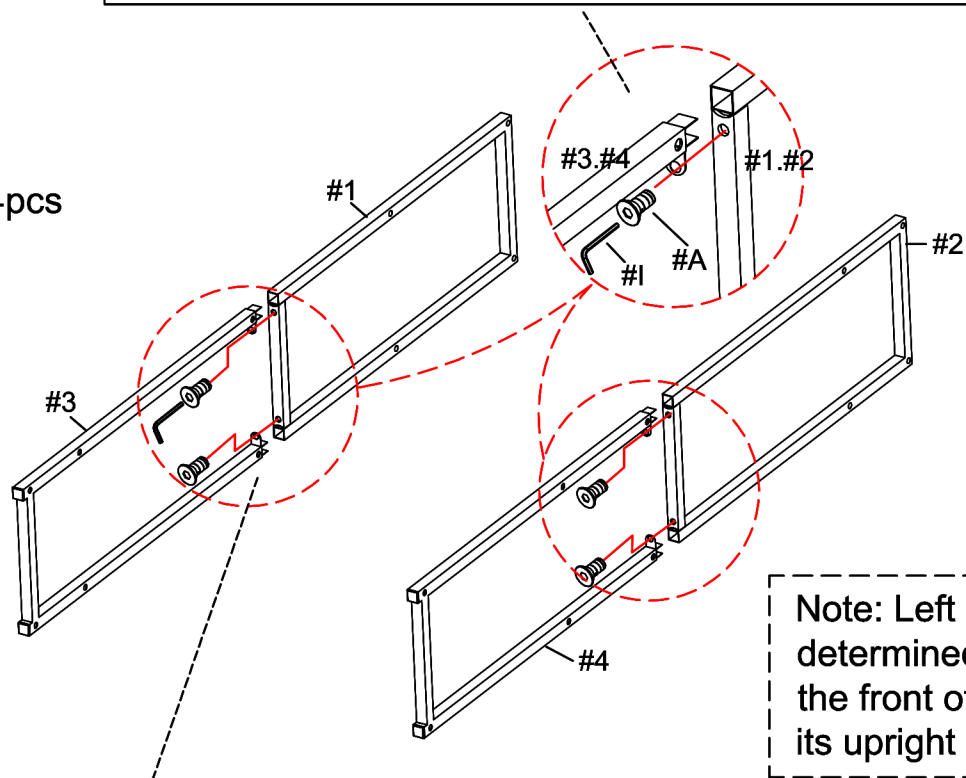


Allen Wrench

# ASSEMBLY INSTRUCTIONS

## 1

- Part #1 x1pc
- Part #2 x1pc
- Part #3 x1pc
- Part #4 x1pc
- Hardware #A x4pcs

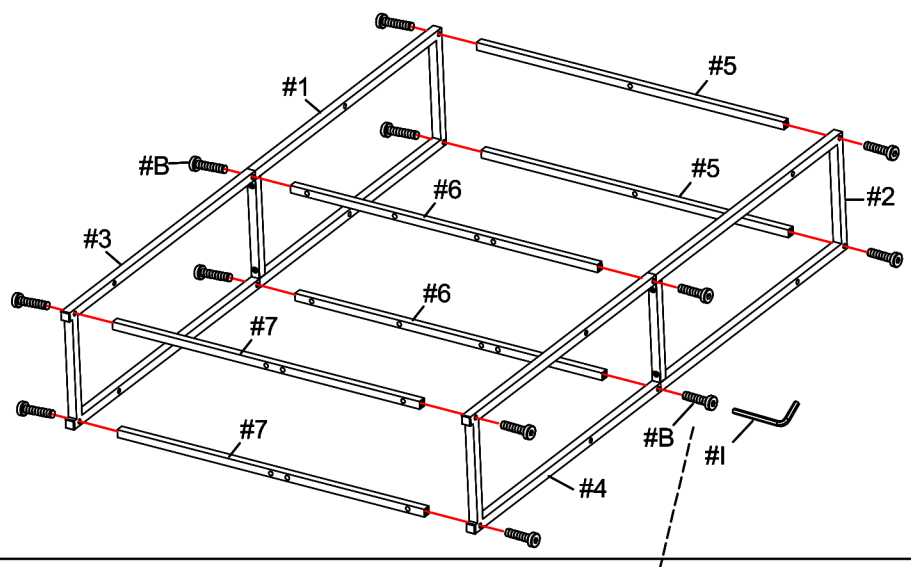


1. Insert the bottom of the L/R side frame up (#1,2) into the slots along the top of the L/R side frame down (#3,4).

## 2

- Part #1 x1pc
- Part #2 x1pc
- Part #3 x1pc
- Part #4 x1pc
- Part #5 x2pcs
- Part #6 x2pcs
- Part #7 x2pcs
- Hardware #B x12pcs

1. Place both side frames onto a protected surface. Align the stretchers to the side frames. Stretchers (#5) align to the top, stretchers (#6) to the center, and stretchers (#7) to the bottom holes.



# ASSEMBLY INSTRUCTIONS

## 3

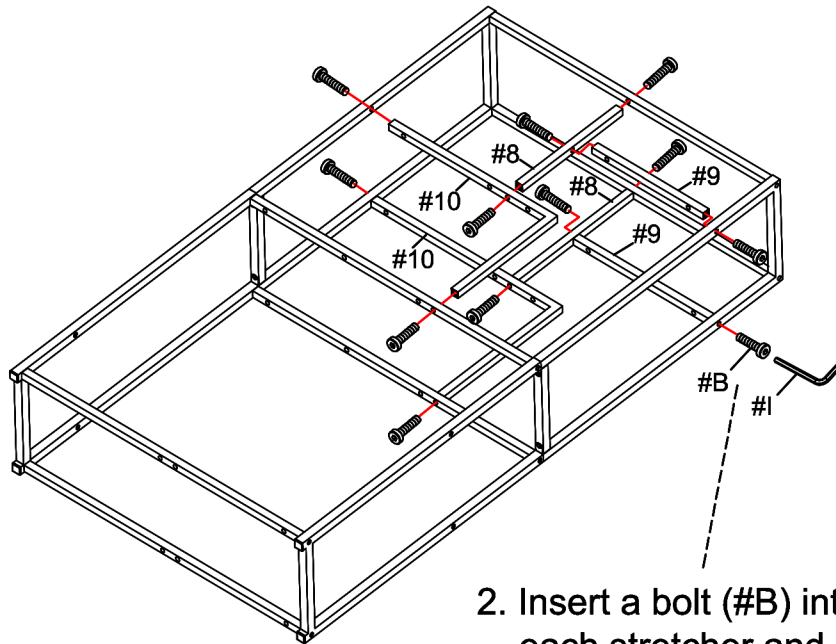
Part (#8) x2pcs

Part (#9) x2pcs

Part (#10) x2pcs

Hardware (#B) x12pcs

1. Align the stretchers (#8,9,10) as shown below.



2. Insert a bolt (#B) into the ends of each stretcher and secure using the Allen wrench (#I).

## 4

Part (#11) x2pcs

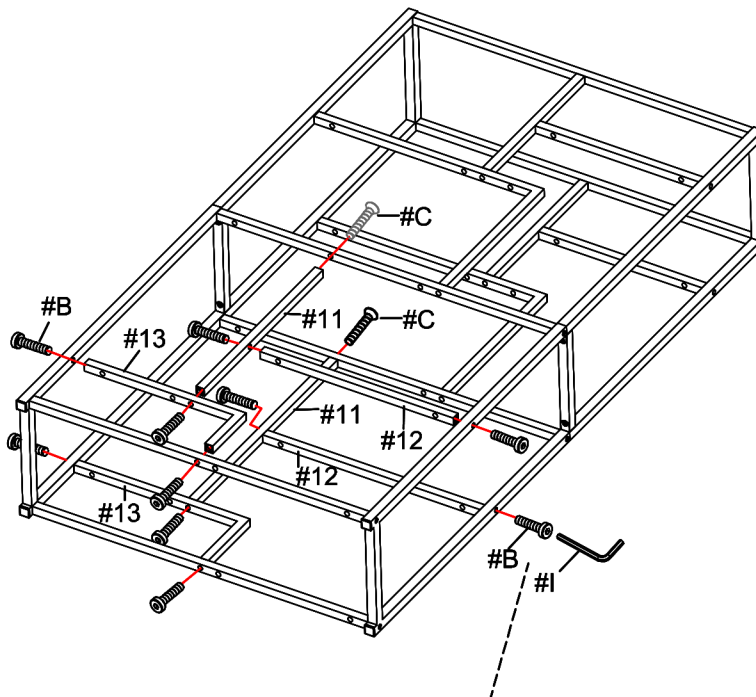
Part (#12) x2pcs

Part (#13) x2pcs

Hardware (#B) x10pcs

Hardware (#C) x2pcs

1. Align the stretchers (#11,12,13) as shown below



2. Insert a bolt (#B,C) into the ends of each stretcher and secure using the Allen wrench (#I).

# ASSEMBLY INSTRUCTIONS

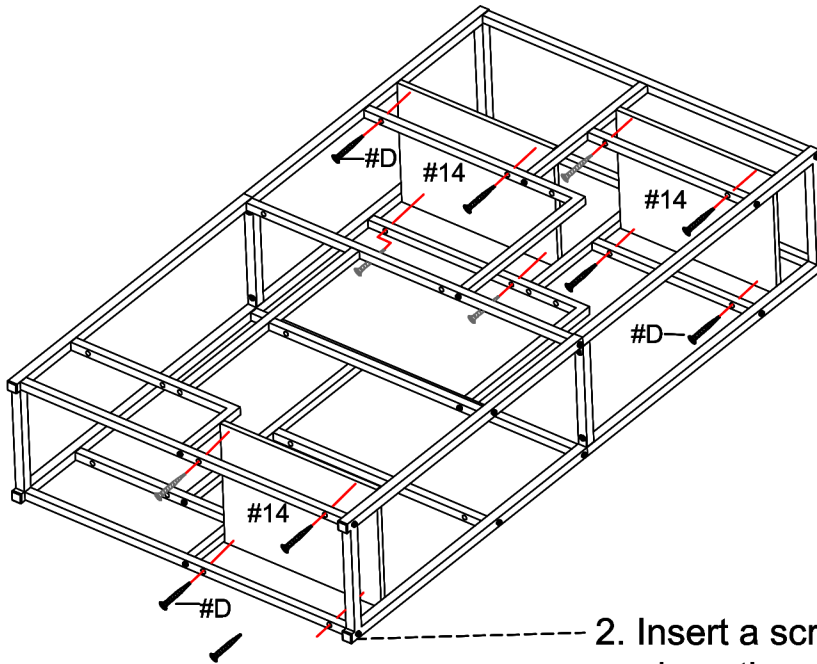
## 5

Part #14 x3pcs

Hardware #D x12pcs

There are no pre-drilled hole on the shelves; only on the frame,

1. Place the wood shelves (#14) onto the slots displayed below.



2. Insert a screw (#D) into each hole along the stretchers and secure using a phillips screwdriver.

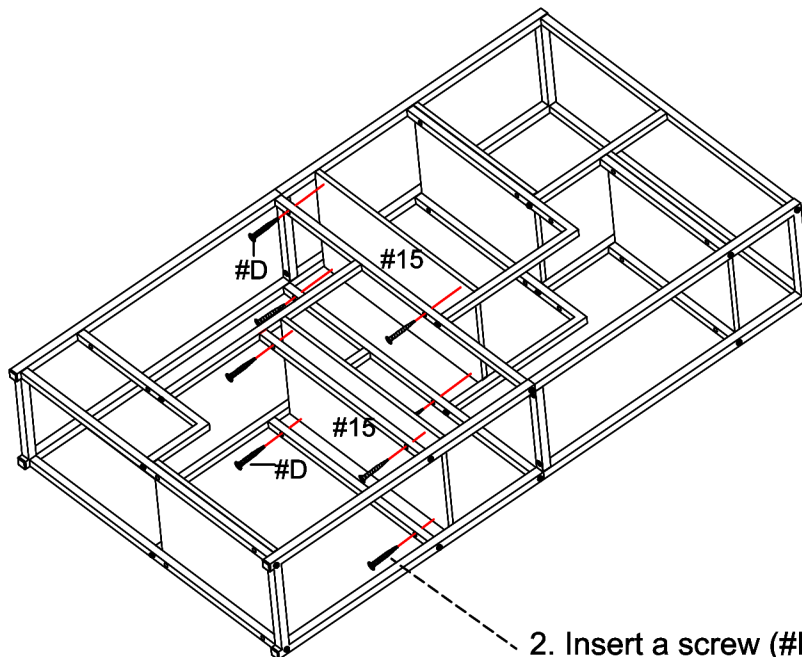
## 6

Part #15 x3pcs

Hardware #D x8pcs

There are no pre-drilled hole on the shelves; only on the frame

1. Place the wood shelves (#15) onto the slots displayed below.



2. Insert a screw (#D) into each hole along the stretchers and secure using a phillips screwdriver.

# ASSEMBLY INSTRUCTIONS

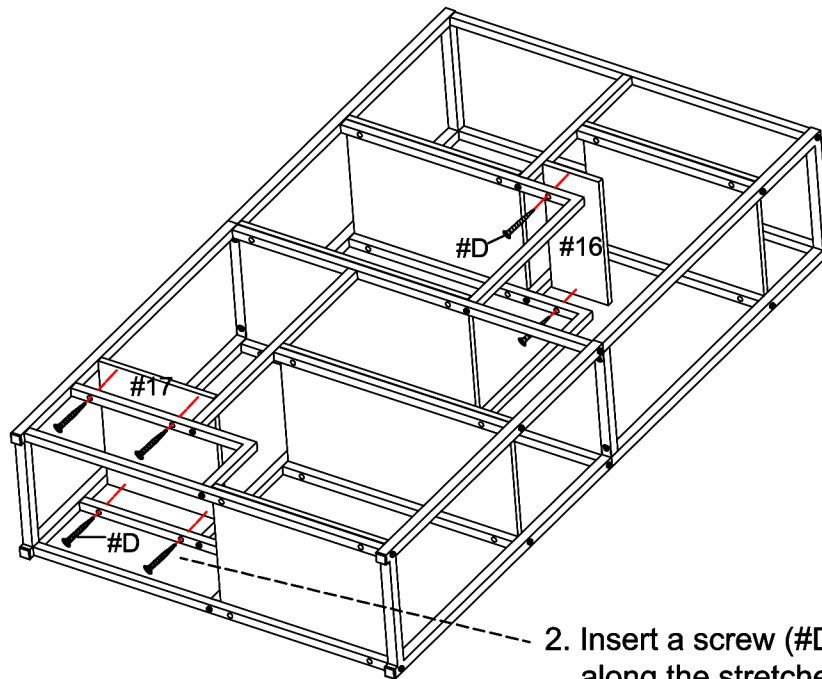
## 7

1. Place the wood shelves (#16,17) onto the slots displayed below.

Part (#16) x1pc

Part (#17) x1pc

Hardware (#D) x6pcs



2. Insert a screw (#D) into each hole along the stretchers and secure using a phillips screwdriver.

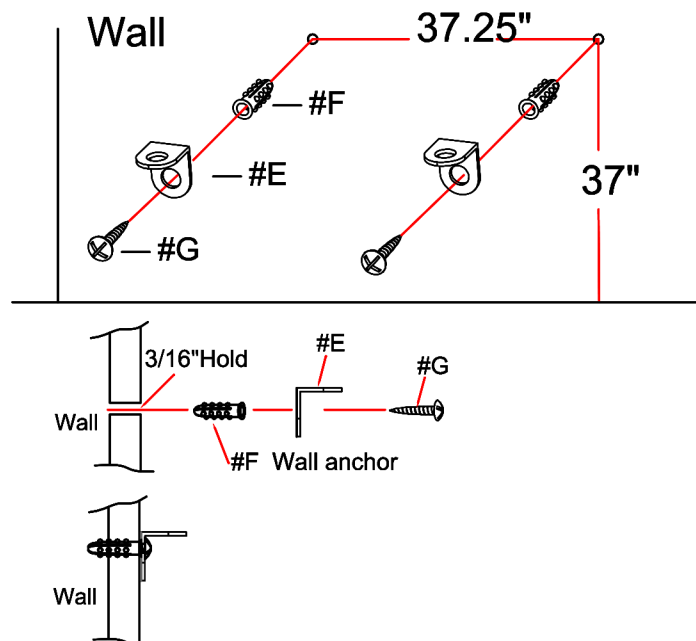
## 8

Hardware (#E) x2pcs

Hardware (#F) x2pcs

Hardware (#G) x2pcs

Select a location where you want the shelf mounted. Mark on the wall the two locations where the wall anchors (#F) will be placed. Drill a hole for each anchor slightly smaller than the size of the screw, Push the anchor (#F) as far as it will go with your finger. Tap gently with a hammer until the anchor is in. Then align the L brackets (#E) to the anchor and insert a screw (#G) to secure.



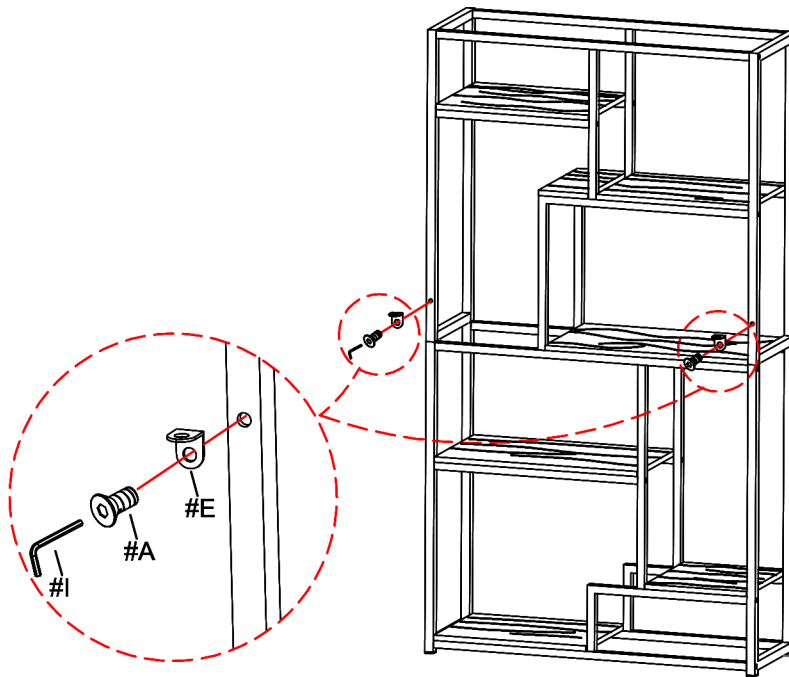
# ASSEMBLY INSTRUCTIONS

## 9

Hardware (#A) x2pcs

Hardware (#E) x2pcs

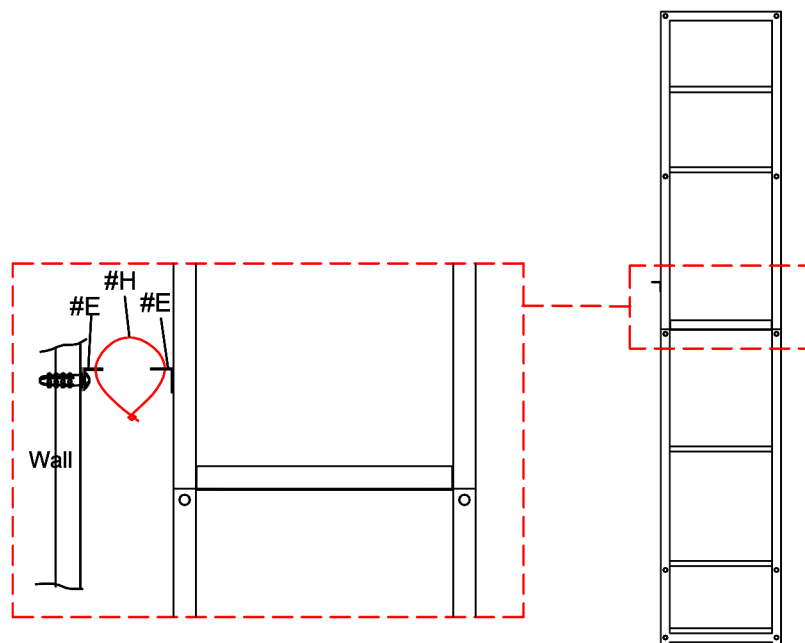
Align the L brackets (#E) to the back sides and insert a flat bolt (#A). Secure using the Allen wrench (#I).



## 10

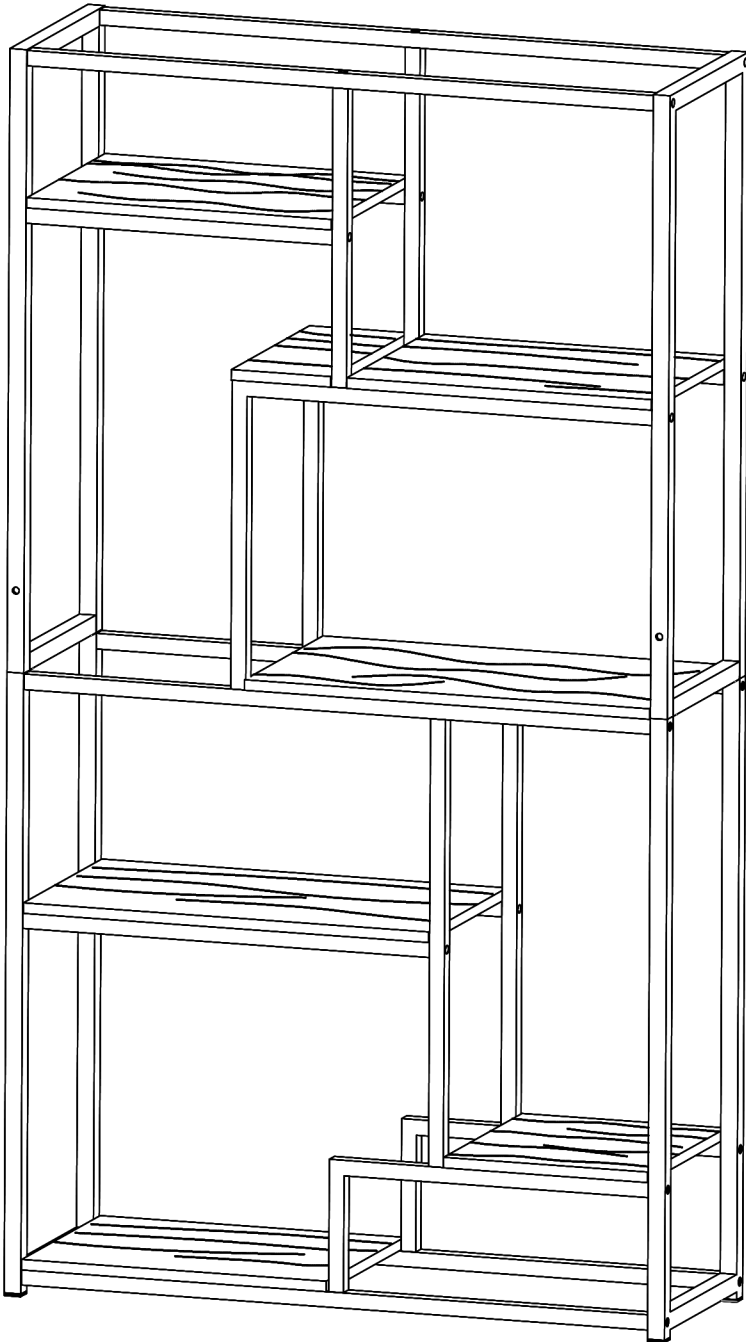
Hardware (#H) x2pcs

Insert each end of the plastic strap (#H) into the L brackets (#E), then secure and tighten.



# ASSEMBLY INSTRUCTIONS

11



## ASSEMBLY COMPLETED



Please ensure the furniture rests on an even and flat surface. If the product wobbles or feels loose, double-check all bolts and/or screws are properly tightened and secured.



### Keep this handy!

Please retain this instruction manual and any order-related information for future reference.



### Lift, don't drag!

To avoid damage to product please always LIFT the product when transporting or adjusting the placement.