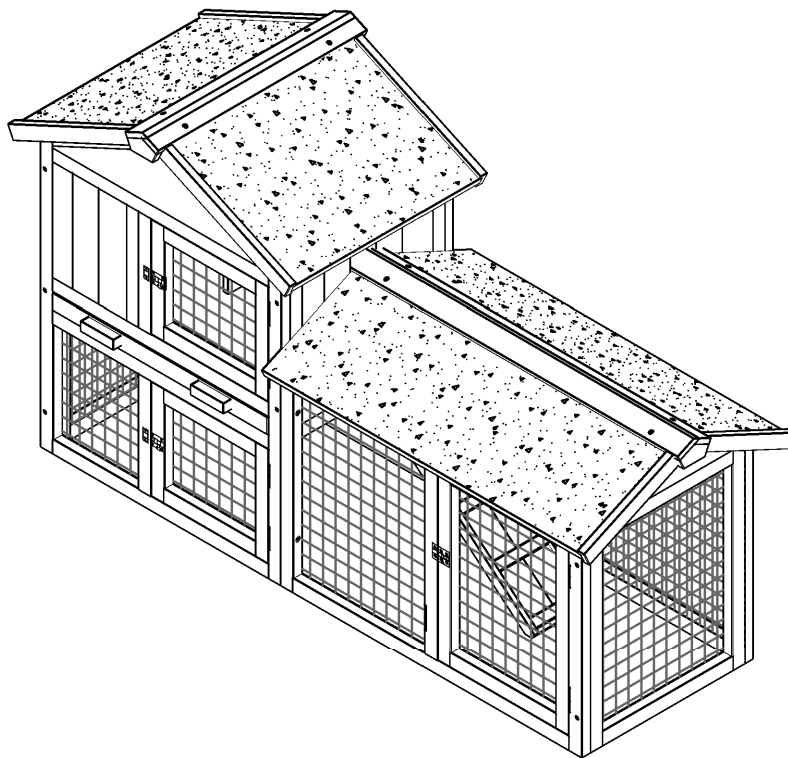
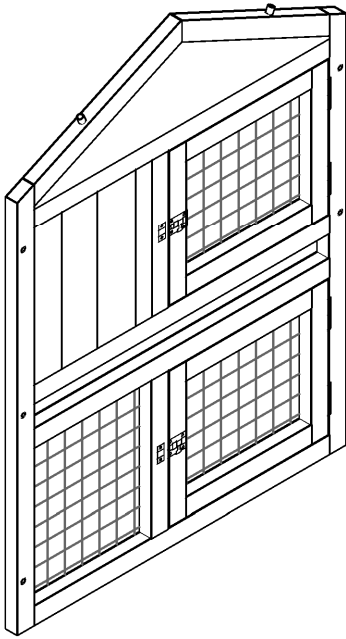


# GA3014



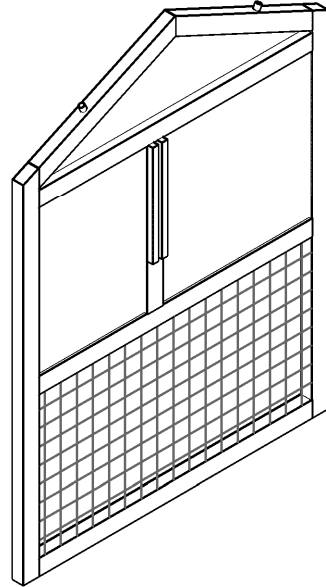
# COMPONENTS

1



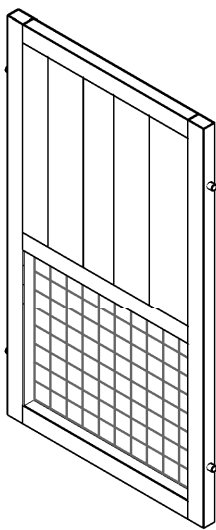
1PC

2



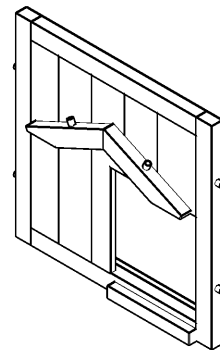
1PC

3



1PC

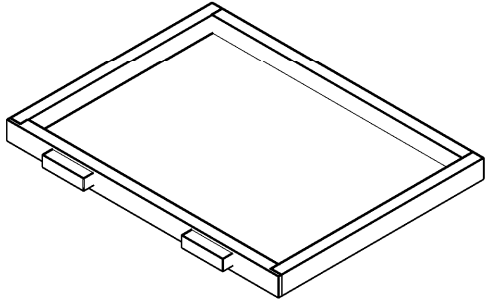
4



1PC

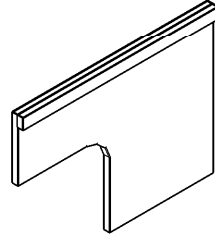
# COMPONENTS

5



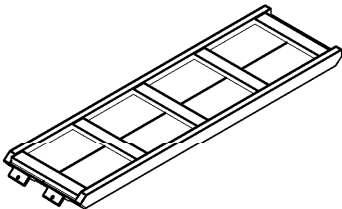
1PC

6



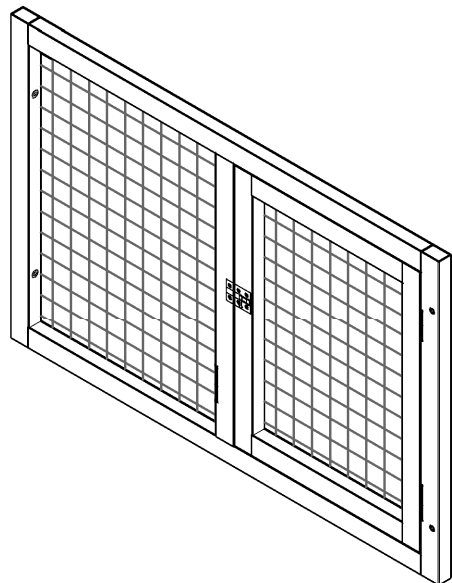
1PC

7



1PC

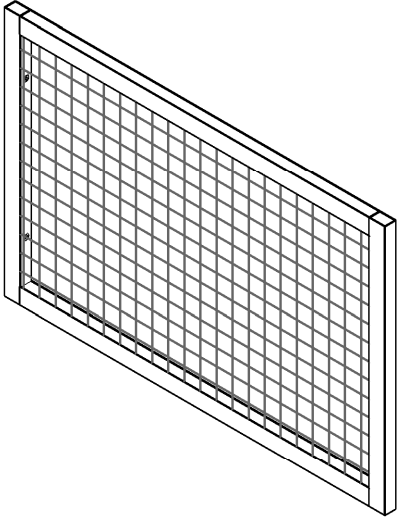
8



1PC

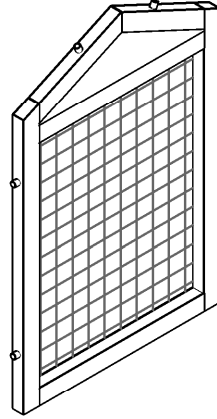
# COMPONENTS

9



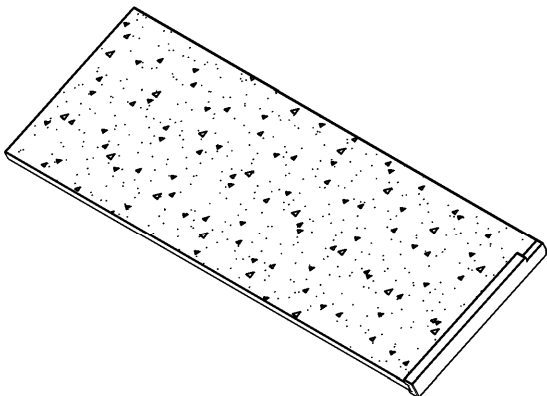
1PC

10



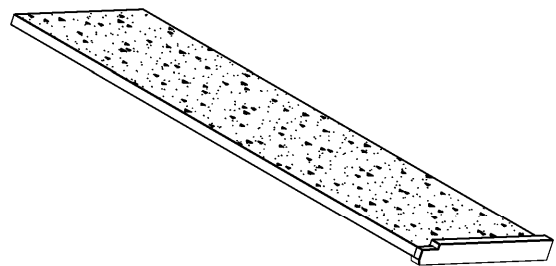
1PC

11



1PC

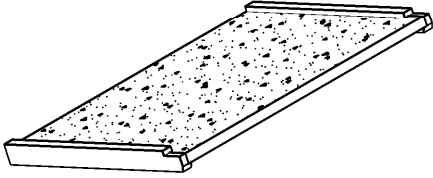
12



1PC

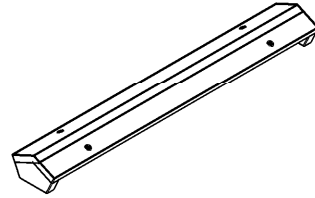
# COMPONENTS

13



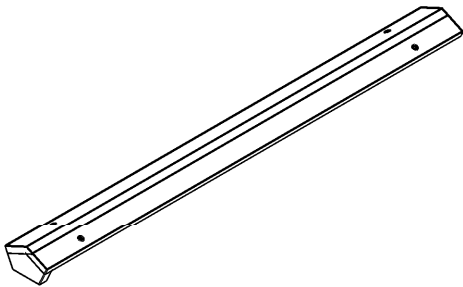
2PCS

14



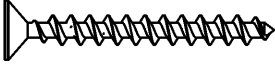
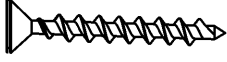
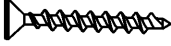
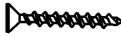
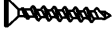
1PC

15




1PC

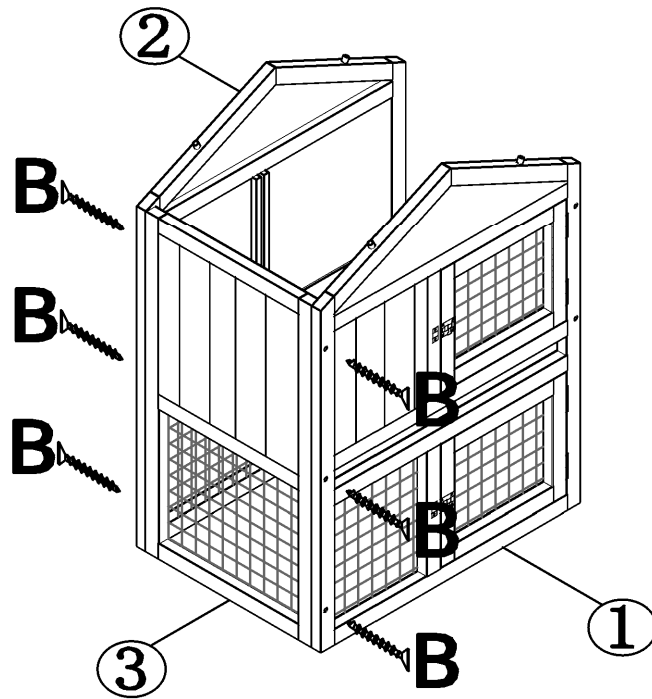
# COMPONENTS

<p><b>A</b></p>  <p>M3. 5*50mm</p> <p>4+1PCS</p>	<p><b>B</b></p>  <p>M3. 5*40mm</p> <p>14+1PCS</p>
<p><b>C</b></p>  <p>M3. 5*35mm</p> <p>14+1PCS</p>	<p><b>D</b></p>  <p>M3. 5*25mm</p> <p>8+1PCS</p>
<p><b>E</b></p>  <p>M3. 0*16mm</p> <p>2+1PCS</p>	


# Assembly Steps

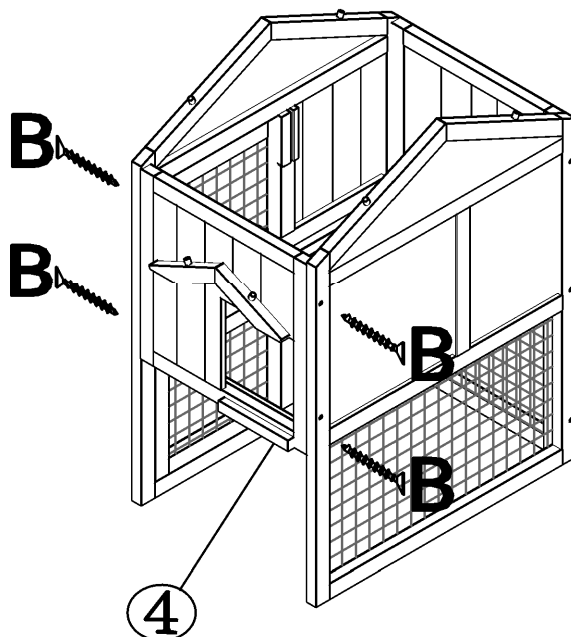
1

  
B 6PCS



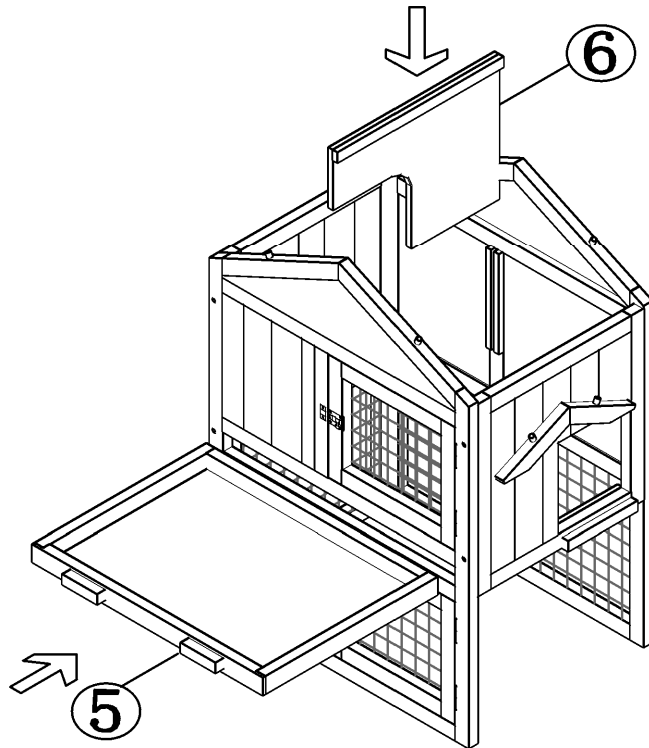
2

  
B 4PCS




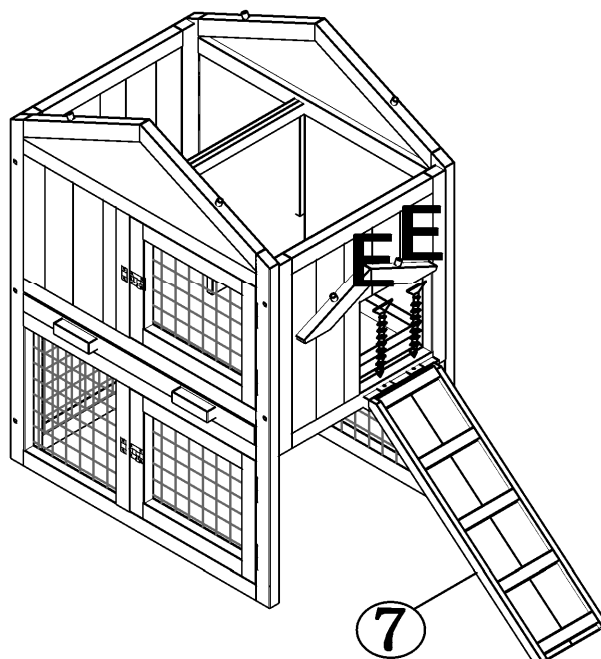
# Assembly Steps

3



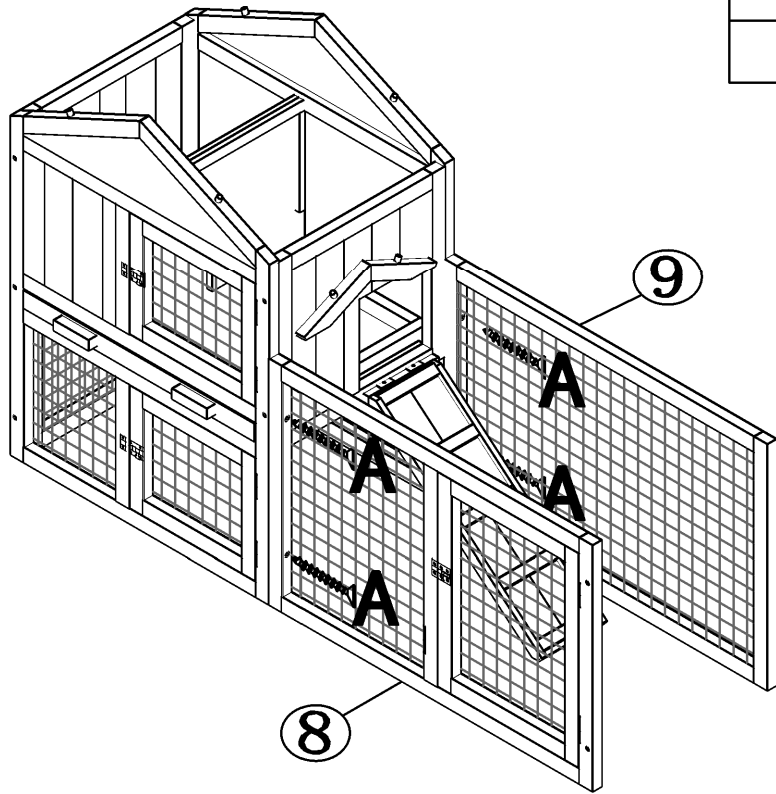
4

  
E 2PCS



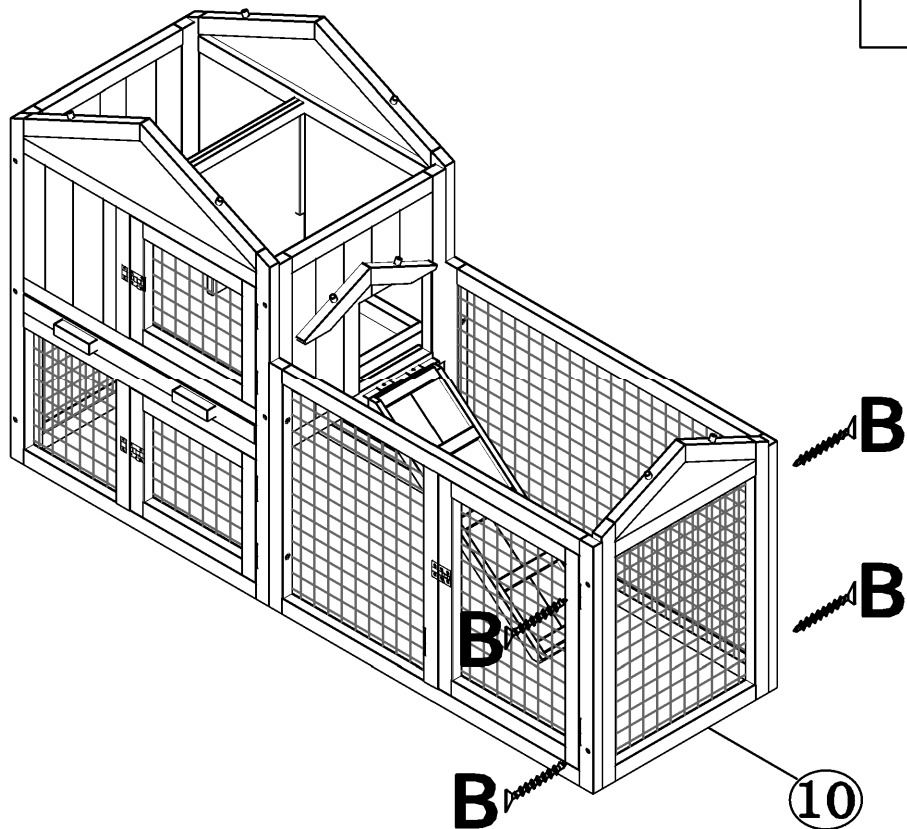
# Assembly Steps

5



A 4PCS

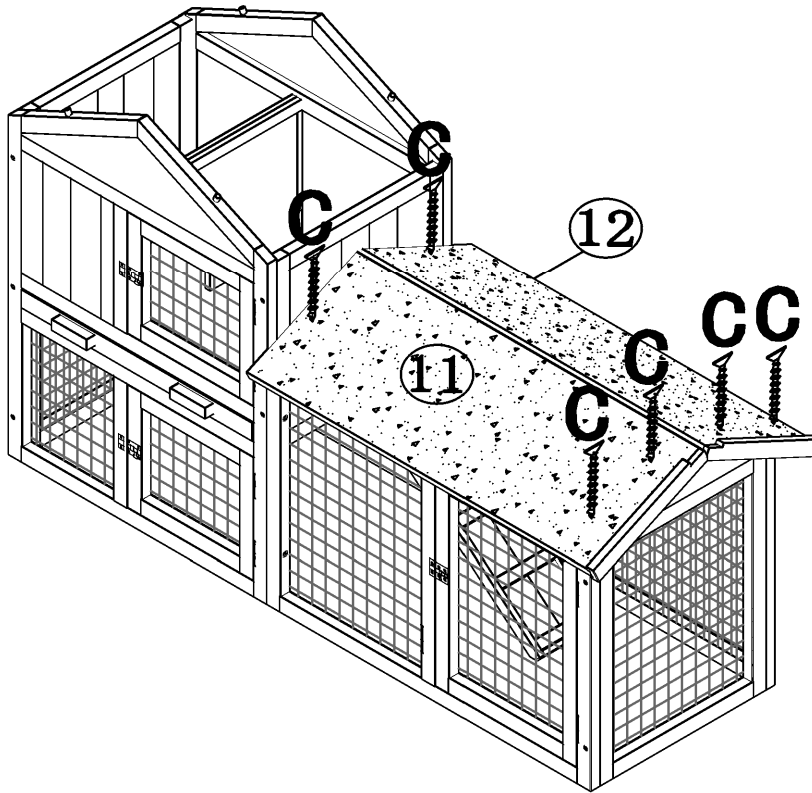
6



B 4PCS

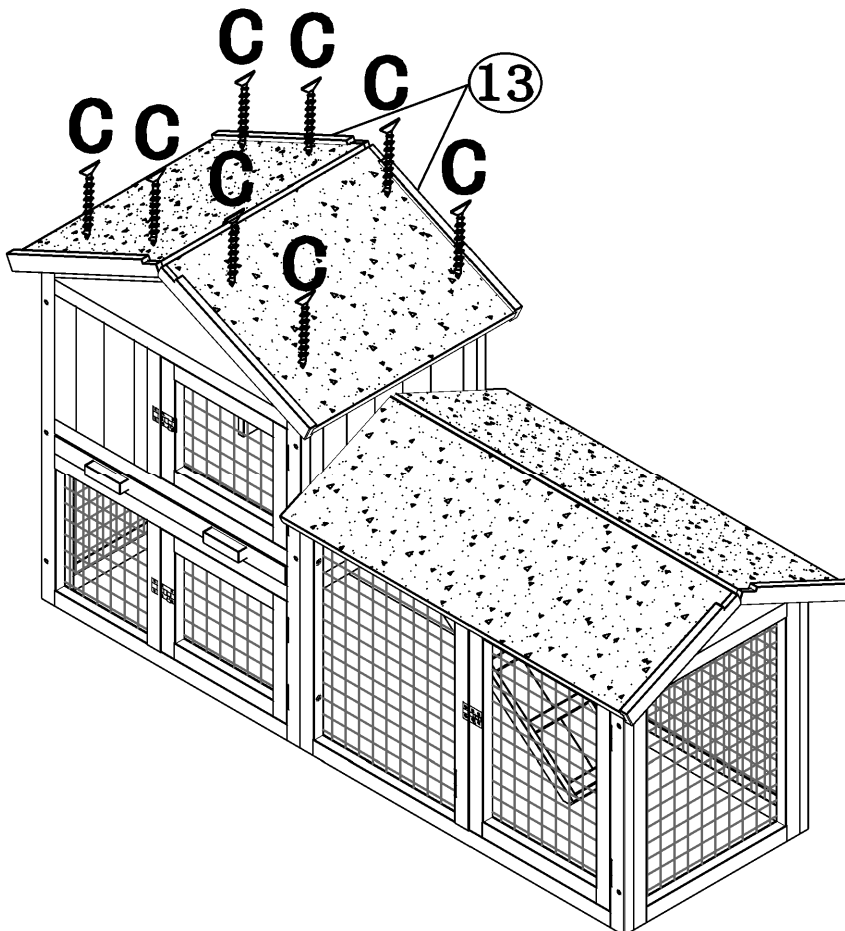
# Assembly Steps

7



C 6PCS

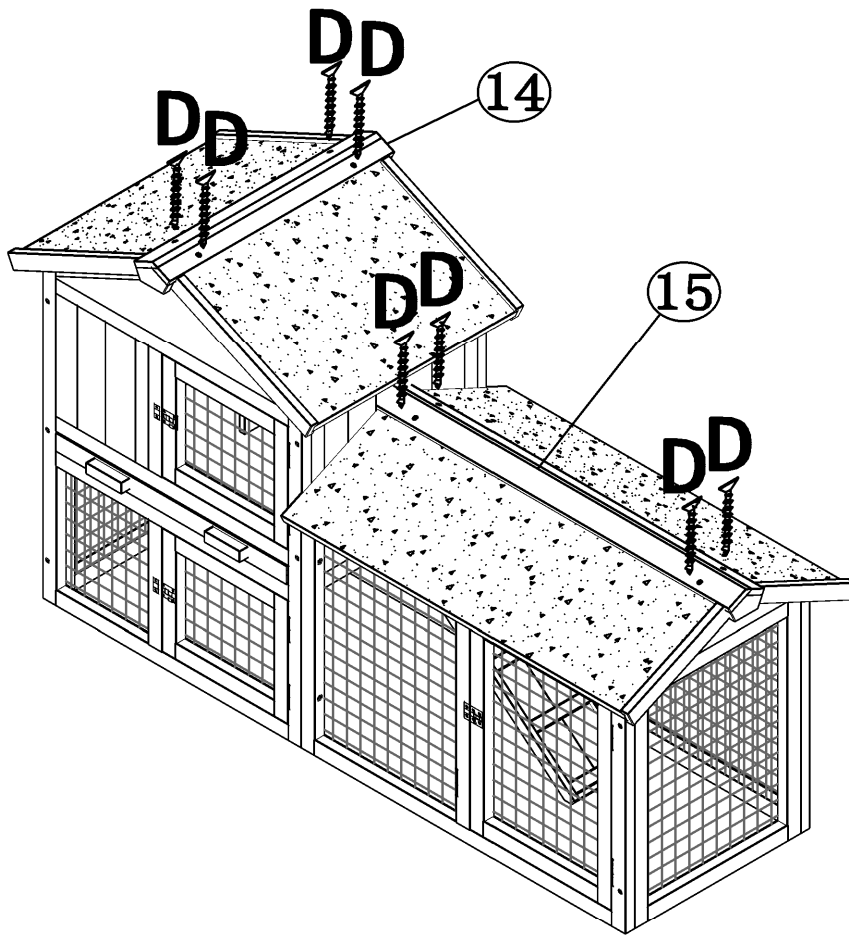
8




C 8PCS

# Assembly Steps

9




<b>D 8PCS</b>



**CONGRATULATIONS  
YOU ARE DONE!**