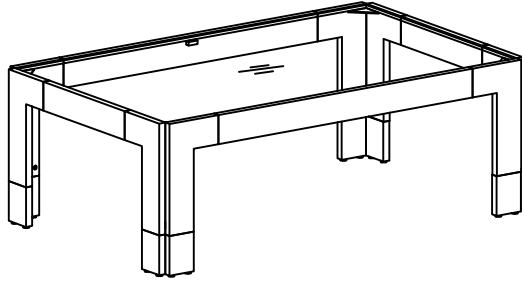


# ASSEMBLY INSTRUCTIONS

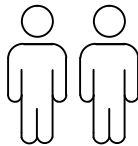
## GOLD RECTANGULAR COFFEE TABLE CHROME RECTANGULAR COFFEE TABLE



### + Do Not Use PowerTools



### + Suggested Adults



#### NOTE:

- 1 Read instructions cover to cover.
- 2 Save all packaging until assembly is completed.

#### 1 IMPORTANT SAFETY INFORMATION

**Do not** assemble the product if any of the following parts arrived damaged:

Part # -Table Top

**Tempered Glass Warning:** Should the tempered glass chip at ANY point throughout ownership, please immediately discontinue use of the table to avoid injury.

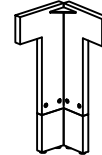
**CAUTION :** DO NOT place hot objects (100°F or more) directly on the glass surface.

#### 2 IMPORTANT ASSEMBLY INFORMATION

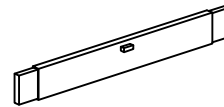
**Assembly Step Use Bolt A to connect Part 1 to Part 4.**

### + Parts Included

- ① Leg  
4PCS



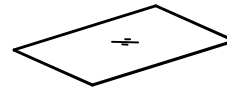
- ② Acrylic Long Rail  
2PCS



- ③ Acrylic Short Rail  
2PCS



- ④ Glass Top  
1PC



### + Hardware Included

- A Bolt(1/4"\*5/8")  
16 PCS



- B Allen Key(4mm)  
1 PC



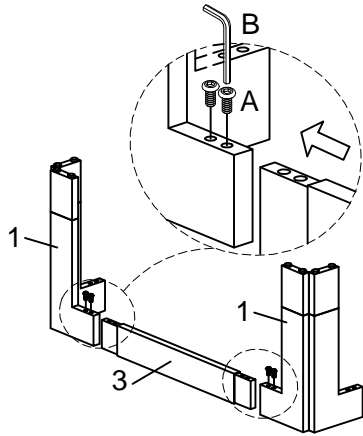
- C Antiskid Pad  
6 PCS



# ASSEMBLY INSTRUCTIONS

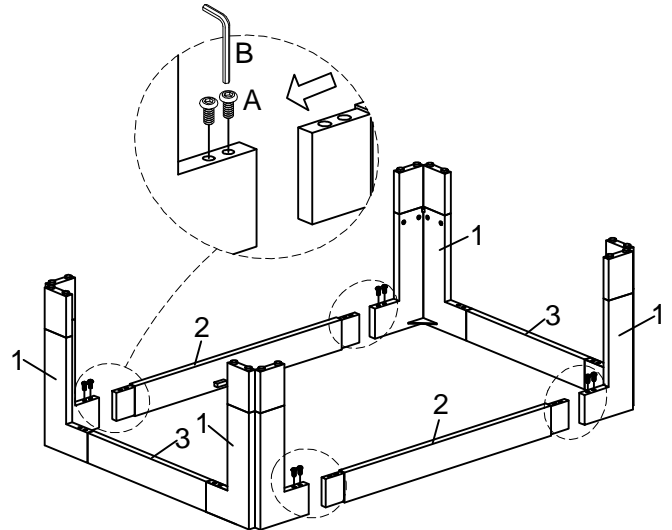
GOLD RECTANGULAR COFFEE TABLE  
CHROME RECTANGULAR COFFEE TABLE

①



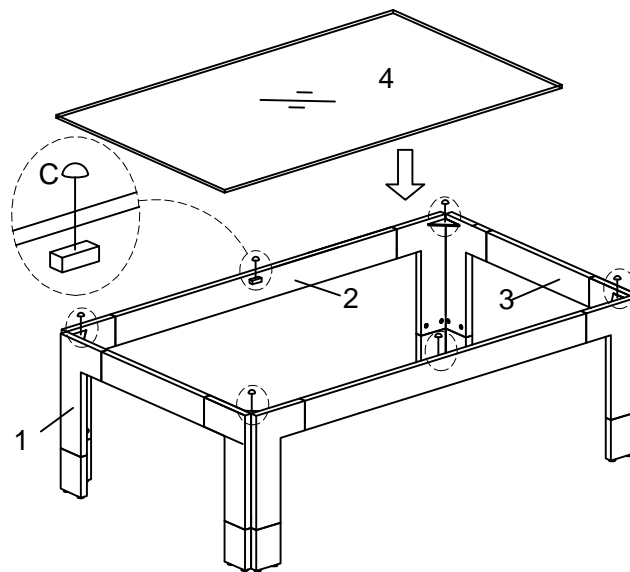
**Note: Do not fully tighten the bolts at this step.**

②



**Note: Do not fully tighten the bolts at this step.**

③



**Note: Fully tighten all bolts at this step.**