



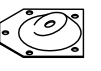


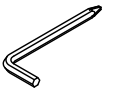





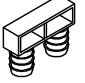



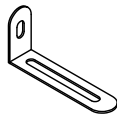


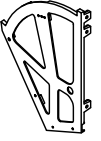

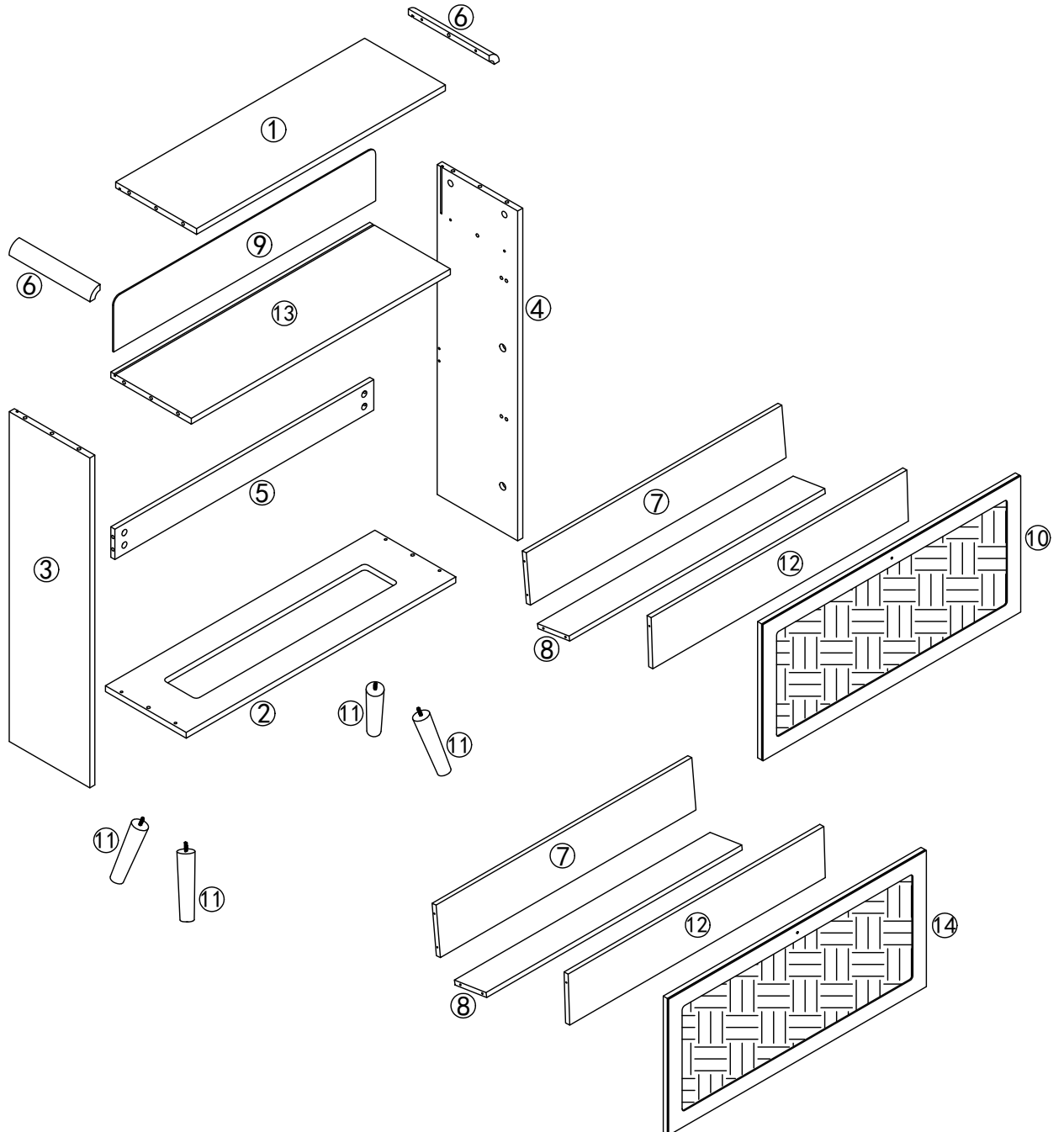
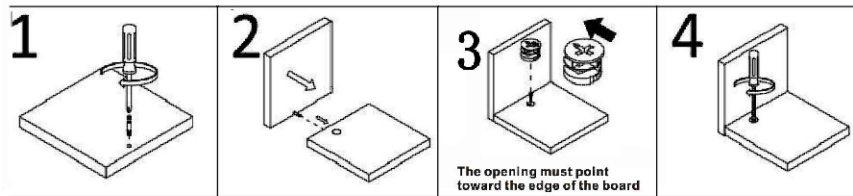


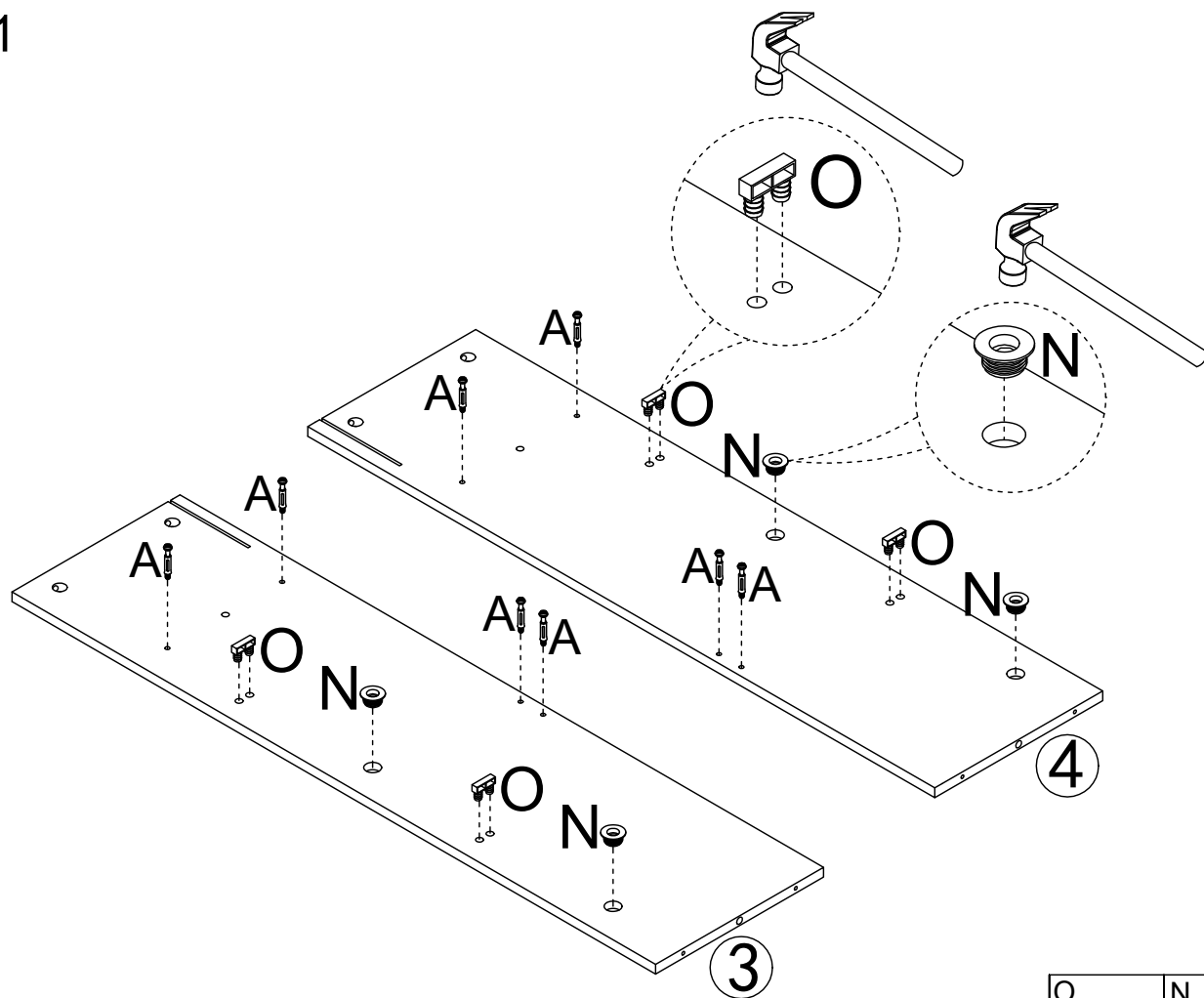
A M6X35  16PCS	B Ø15X12  16PCS	C M3.5X18  28PCS	D M3.5X14  20PCS	E  4PCS	F M5X40  4PCS	G Ø8X30  8PCS	H 4mm  1PC	I M4X12  4PCS	J M4X20  2PCS	K  2PCS
M  4PCS	N  4PCS	O  4PCS	P M4X35  2PCS	Q Ø6x30  2PCS	S M4X14  2PCS	T  2PCS	U  4PCS	V M3X16  4PCS	L  2PCS	R  2PCS

Cam Lock Fastening System

Insert the cam bolt into the hole first, then insert the cam lock and lock it.

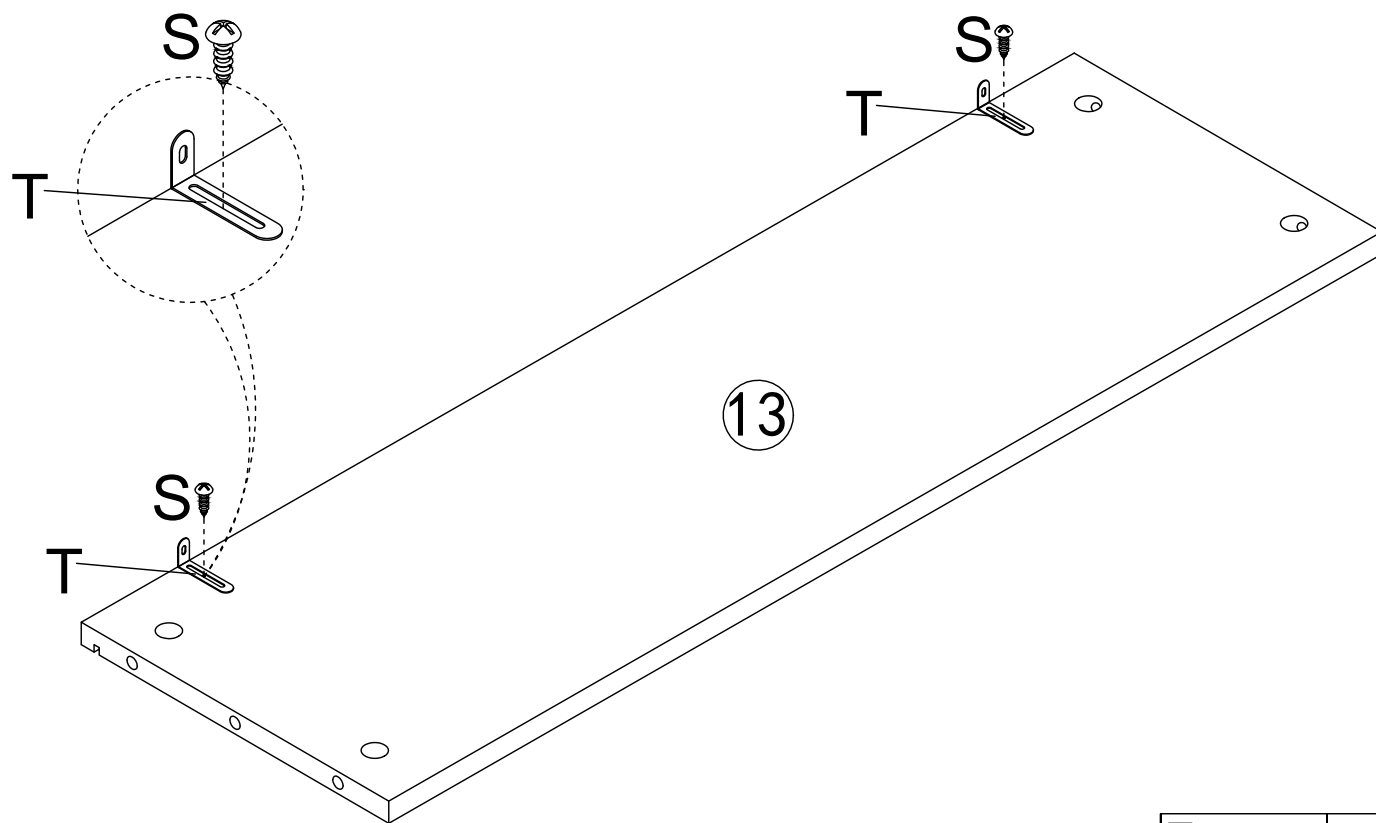


Step 1



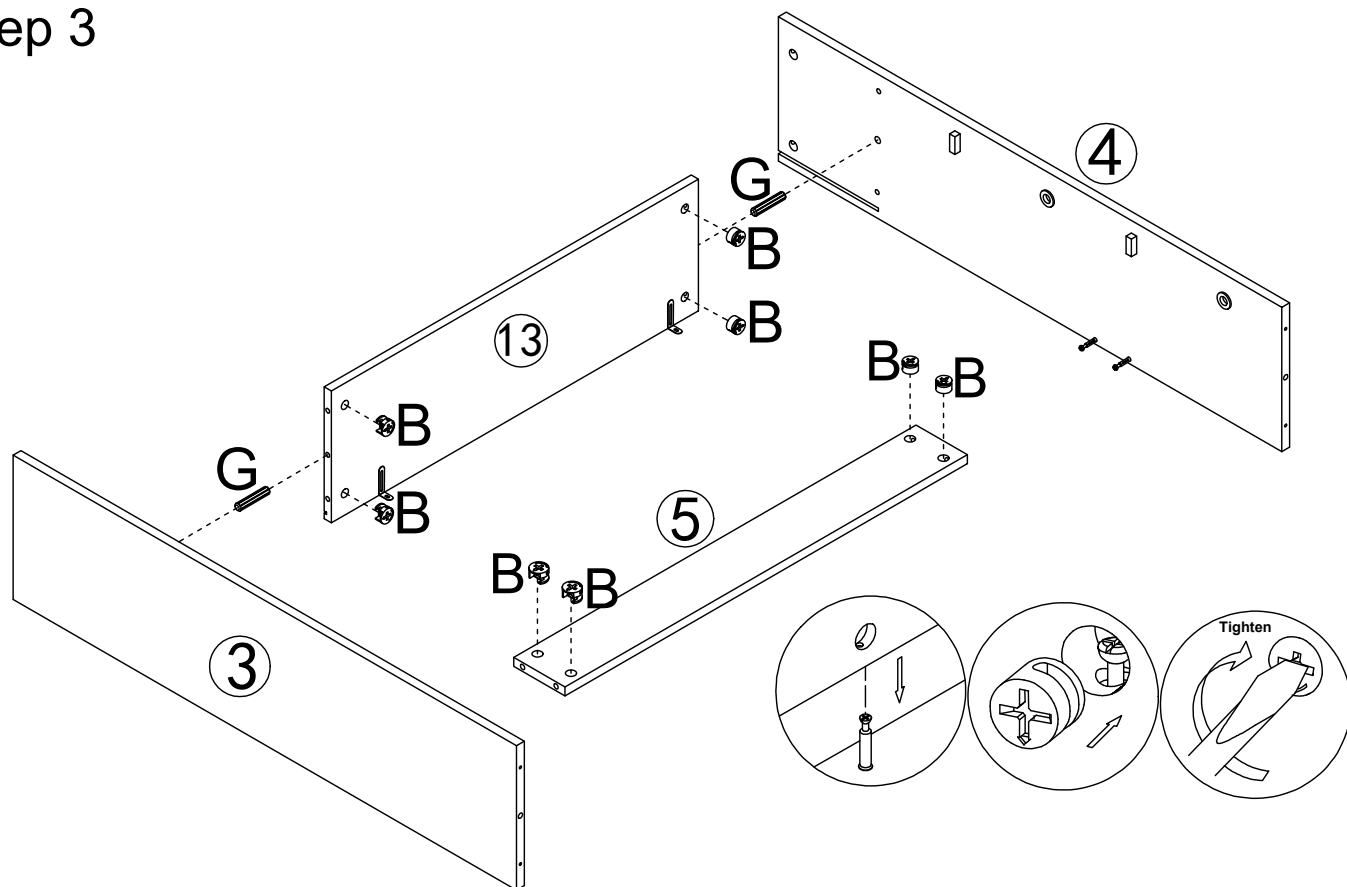
O	N	A
4PCS	4PCS	8PCS



Step 2



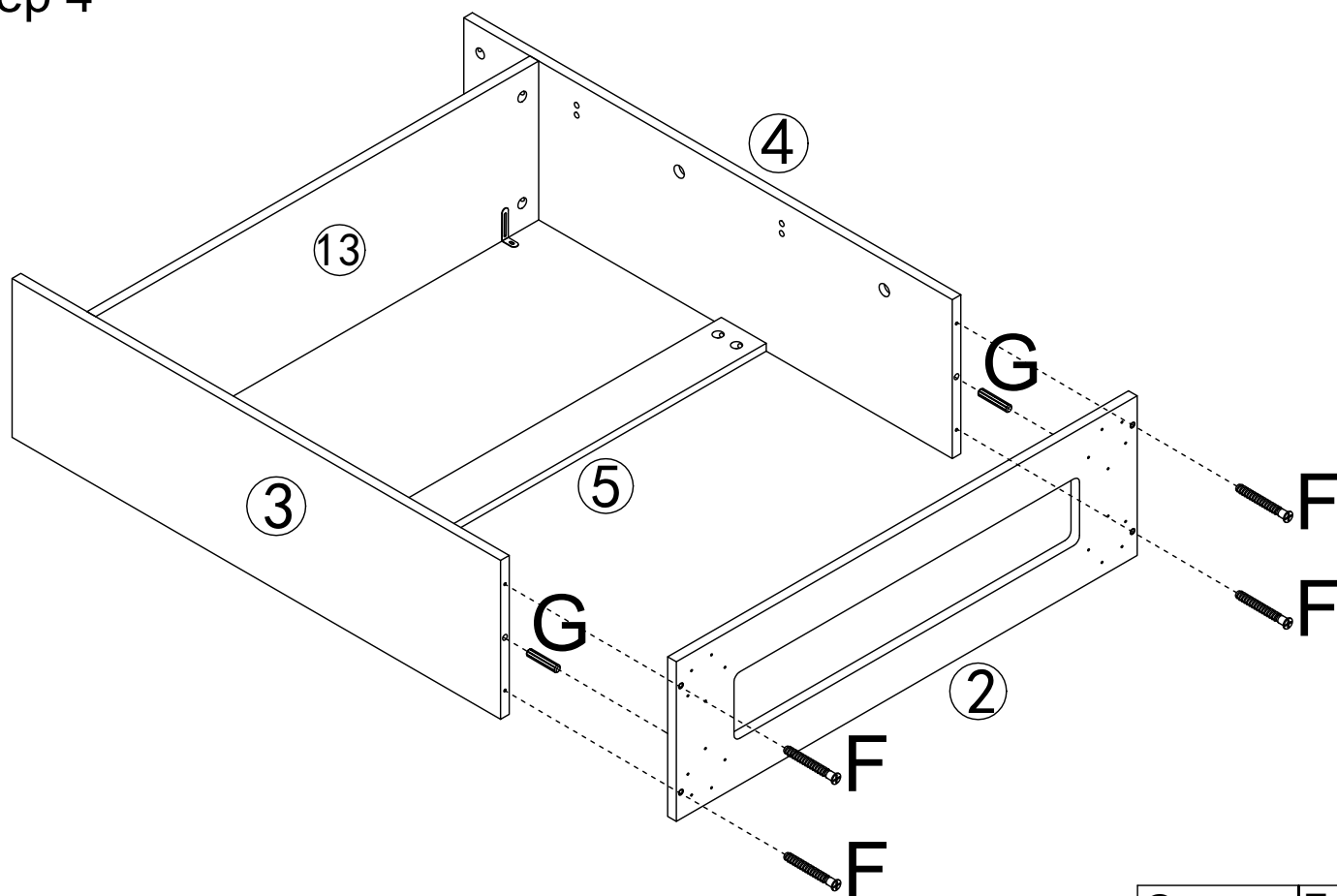
T	S
2PCS	2PCS



Step 3



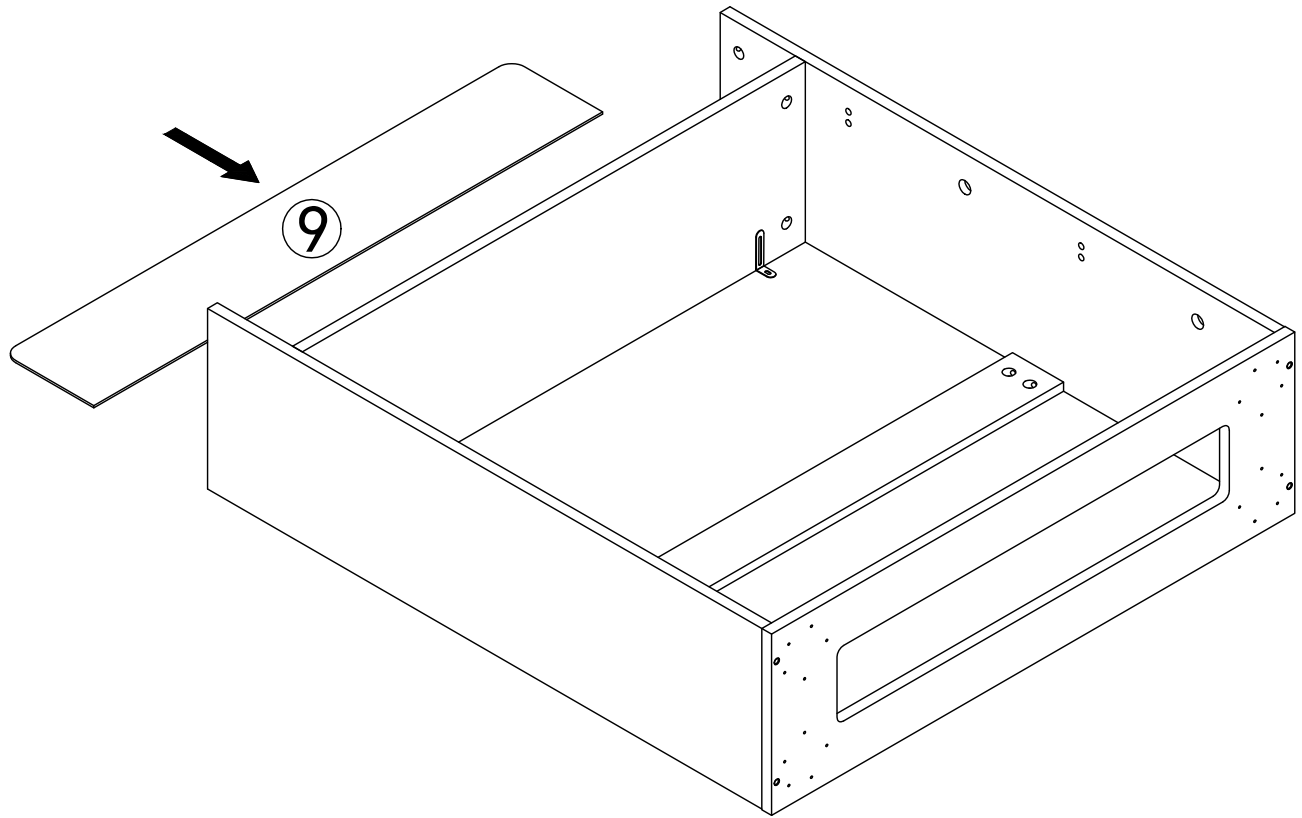
G 	B 
2PCS	8PCS

Step 4

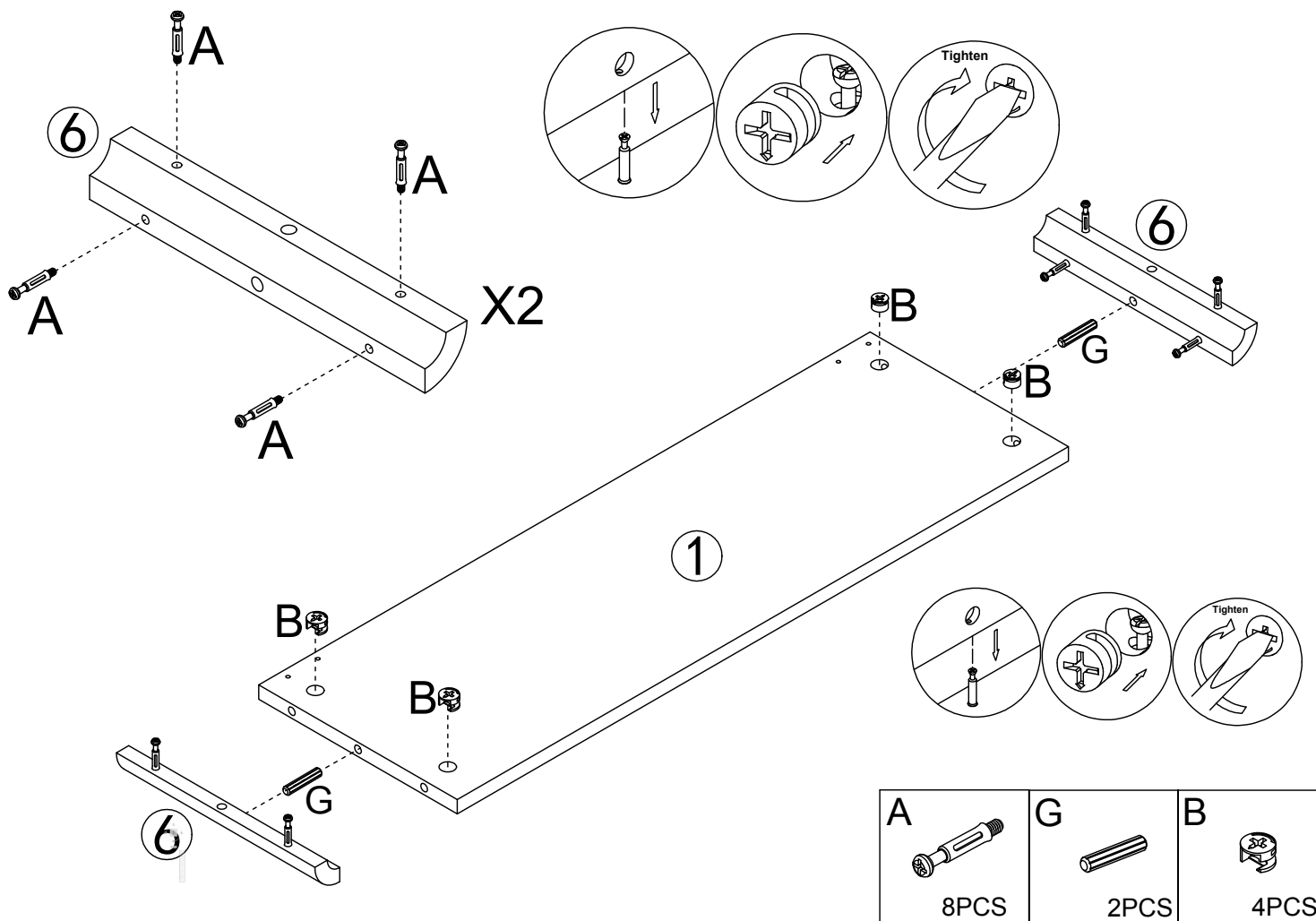


G 	F 
2PCS	4PCS

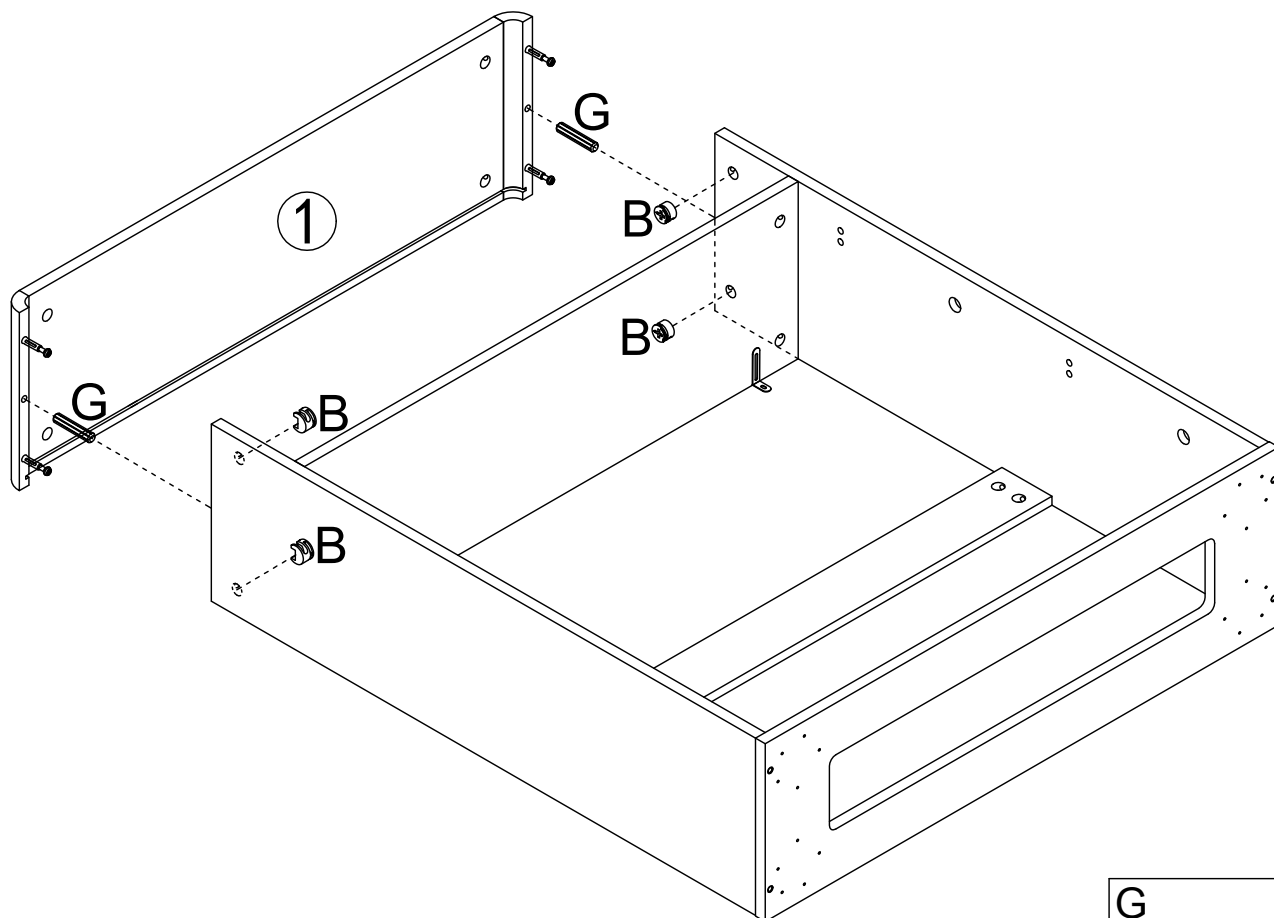
Step 5





Step 6

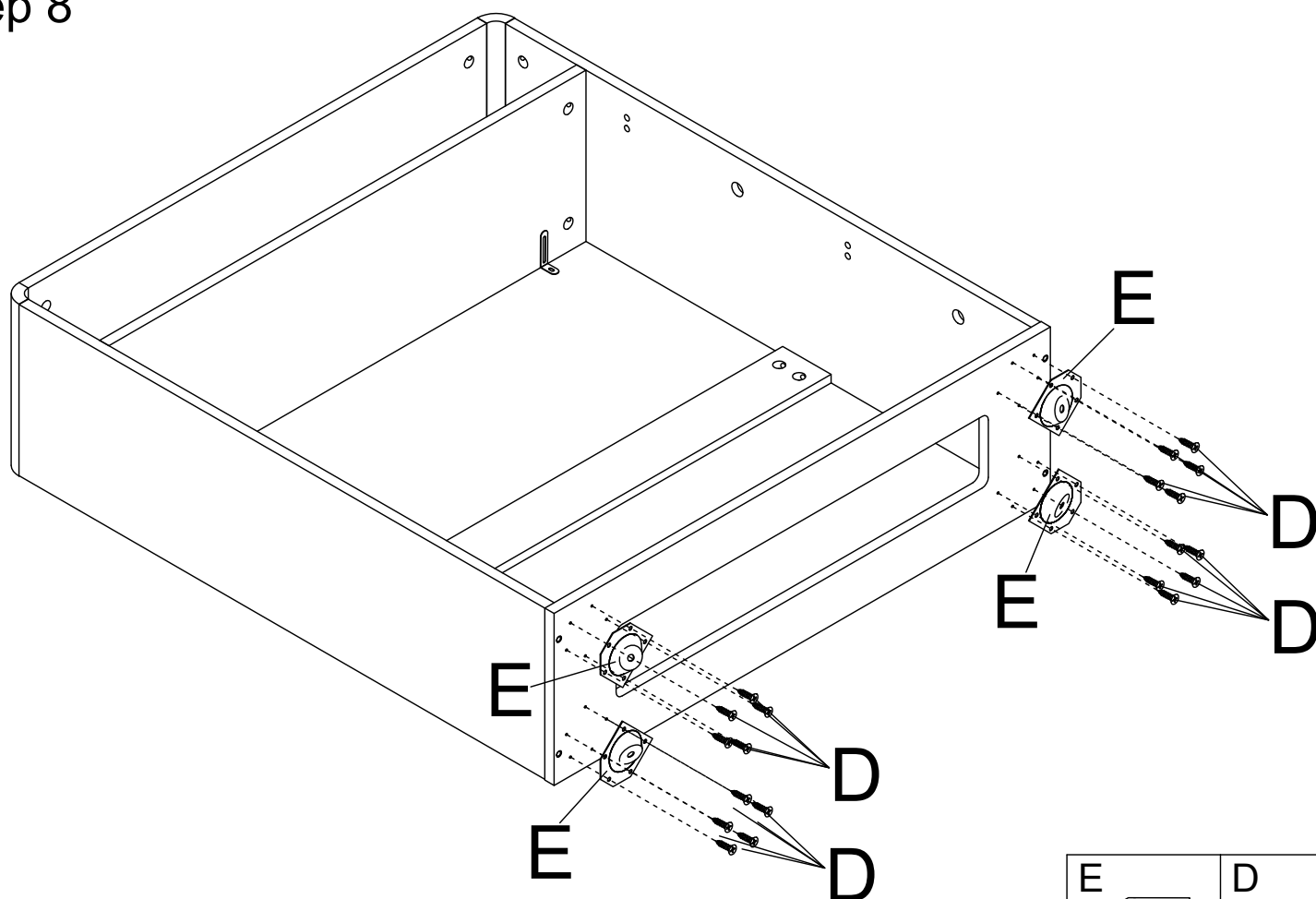


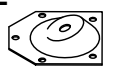

Step 7



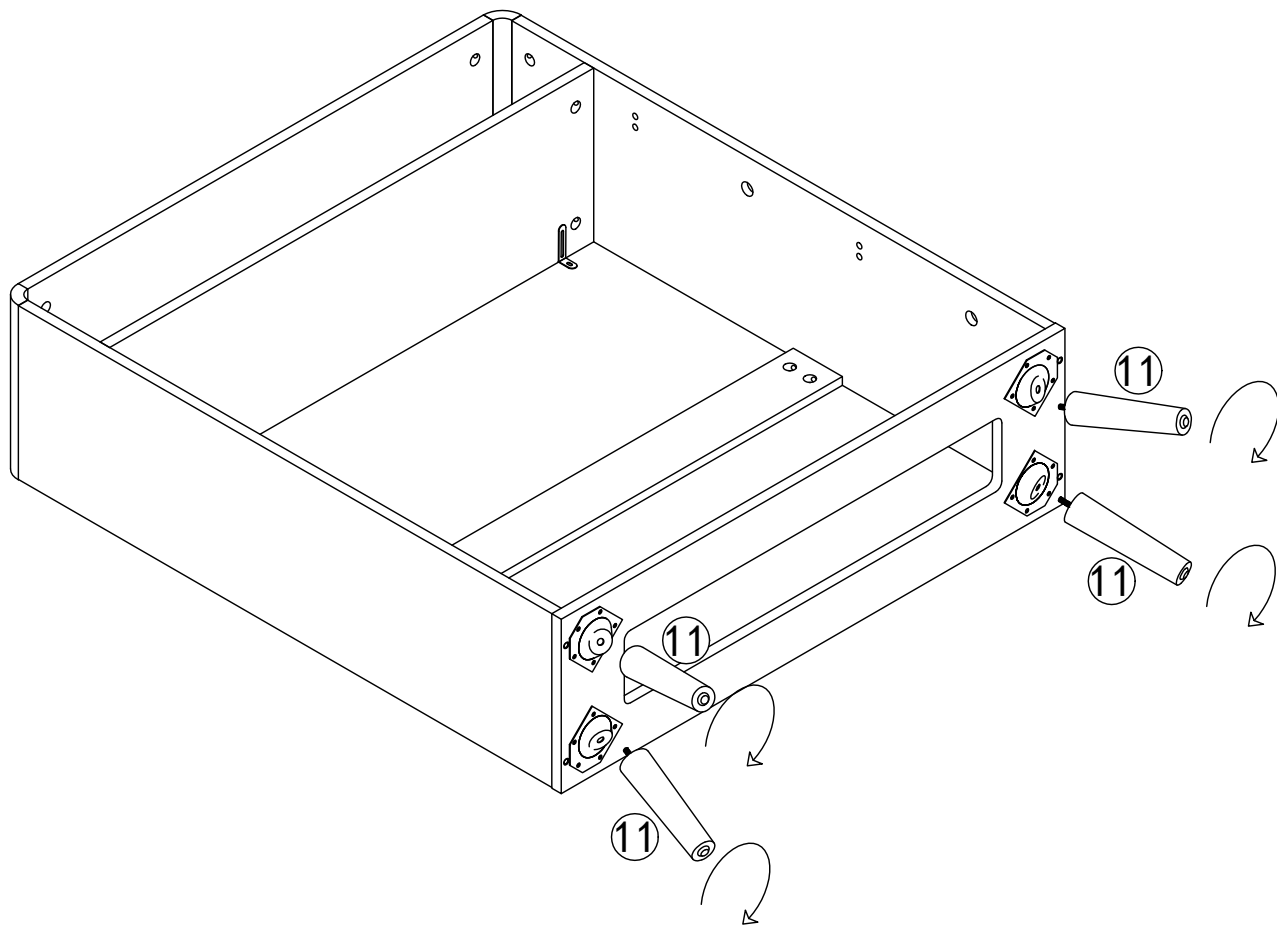
G 	B 
2PCS	4PCS

Step 8

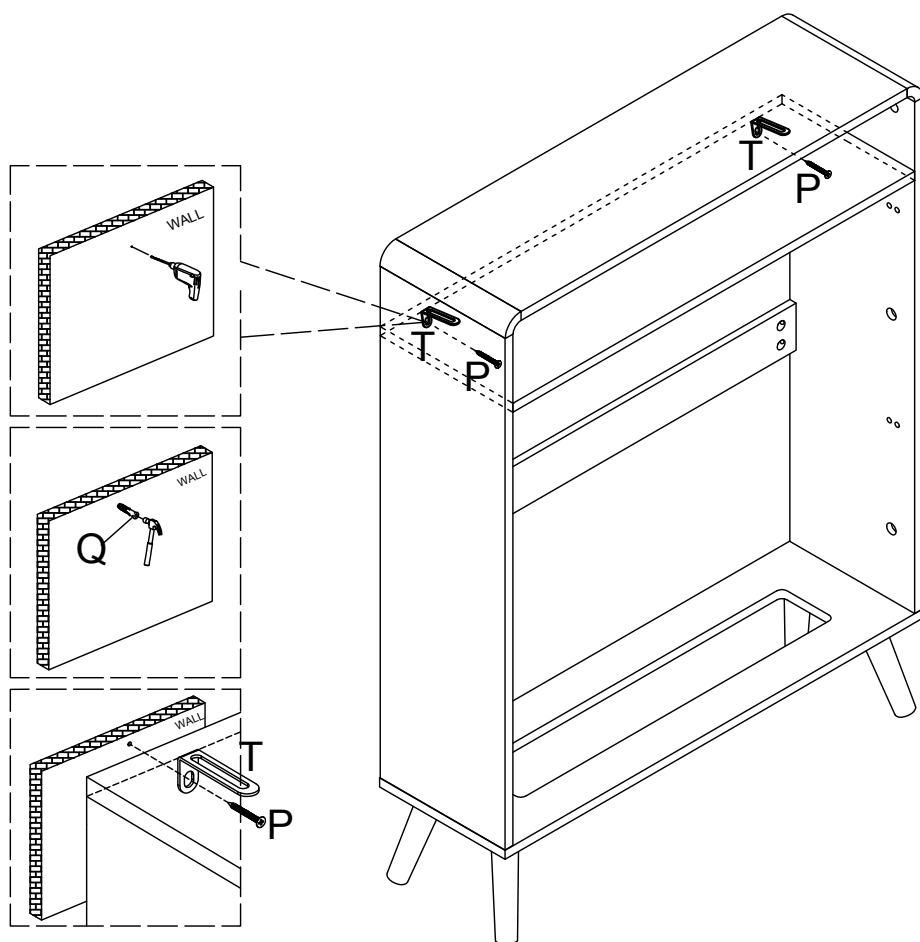


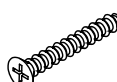

E 	D 
4PCS	20PCS

Step 9

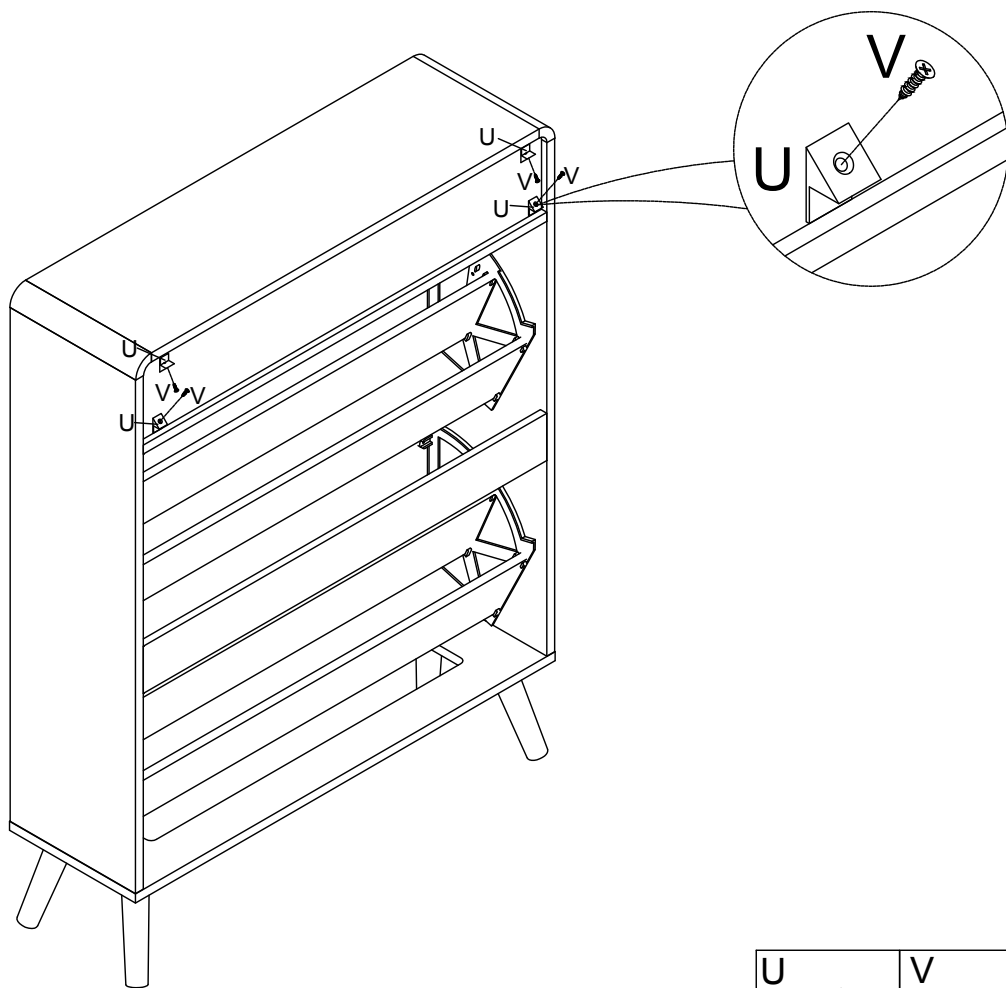




Step 10



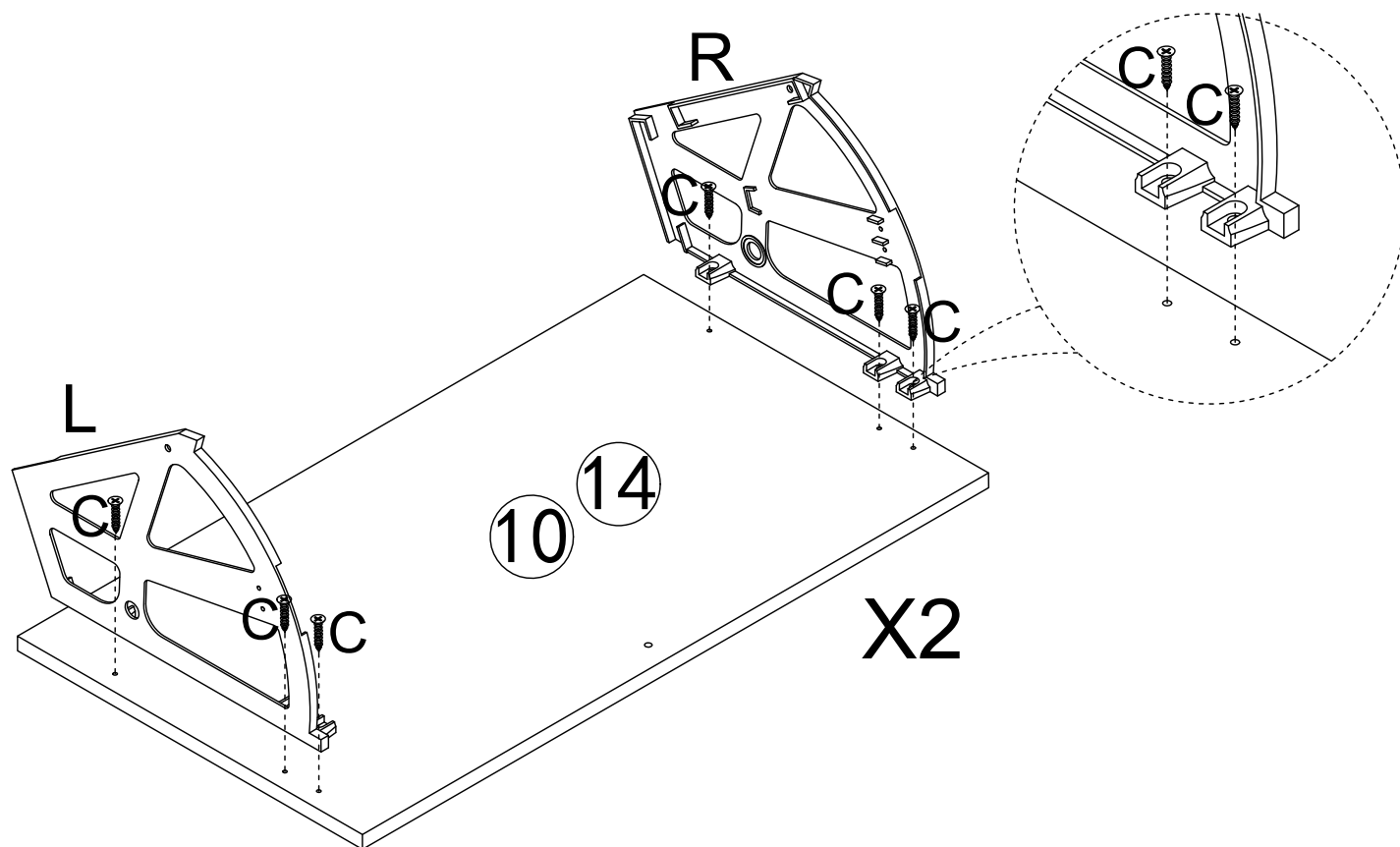
P  2PCS	Q  2PCS
---	---


Step 9



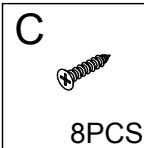
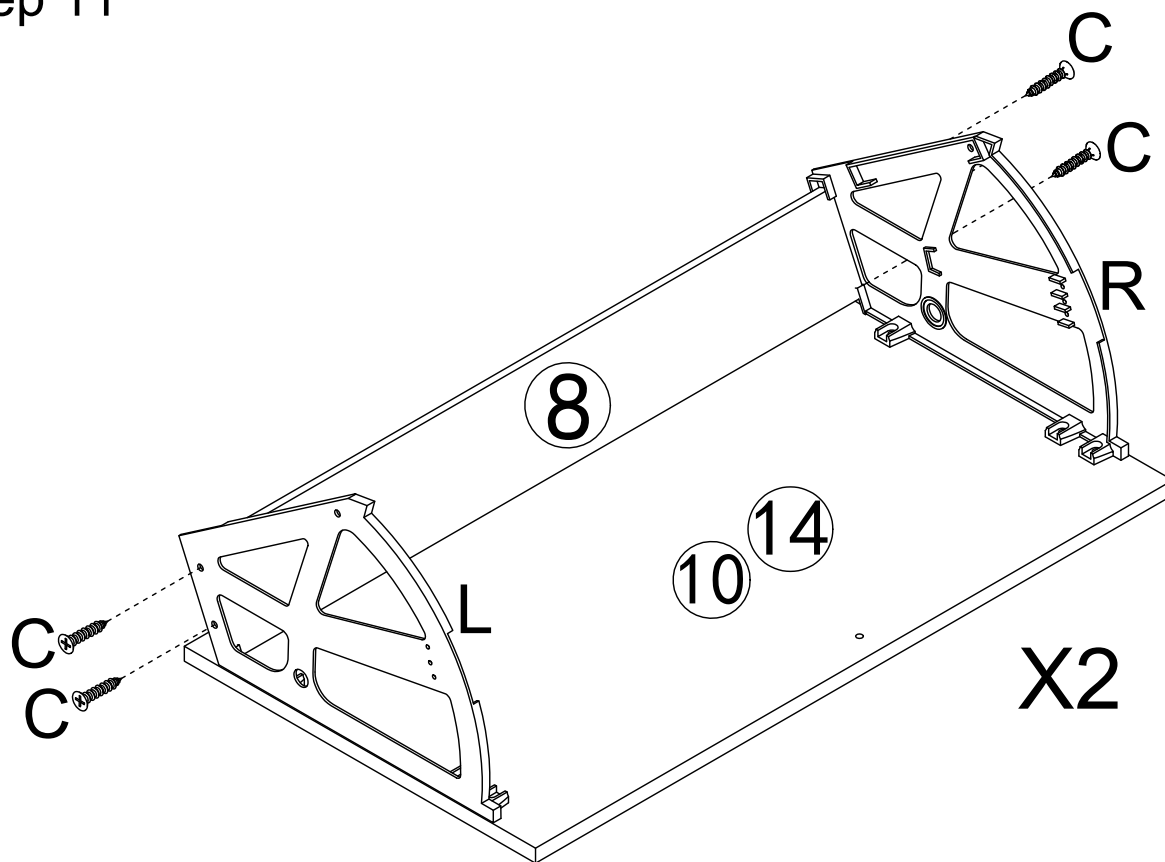
U	V
	
4PCS	4PCS

Step 10

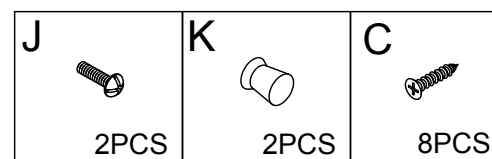
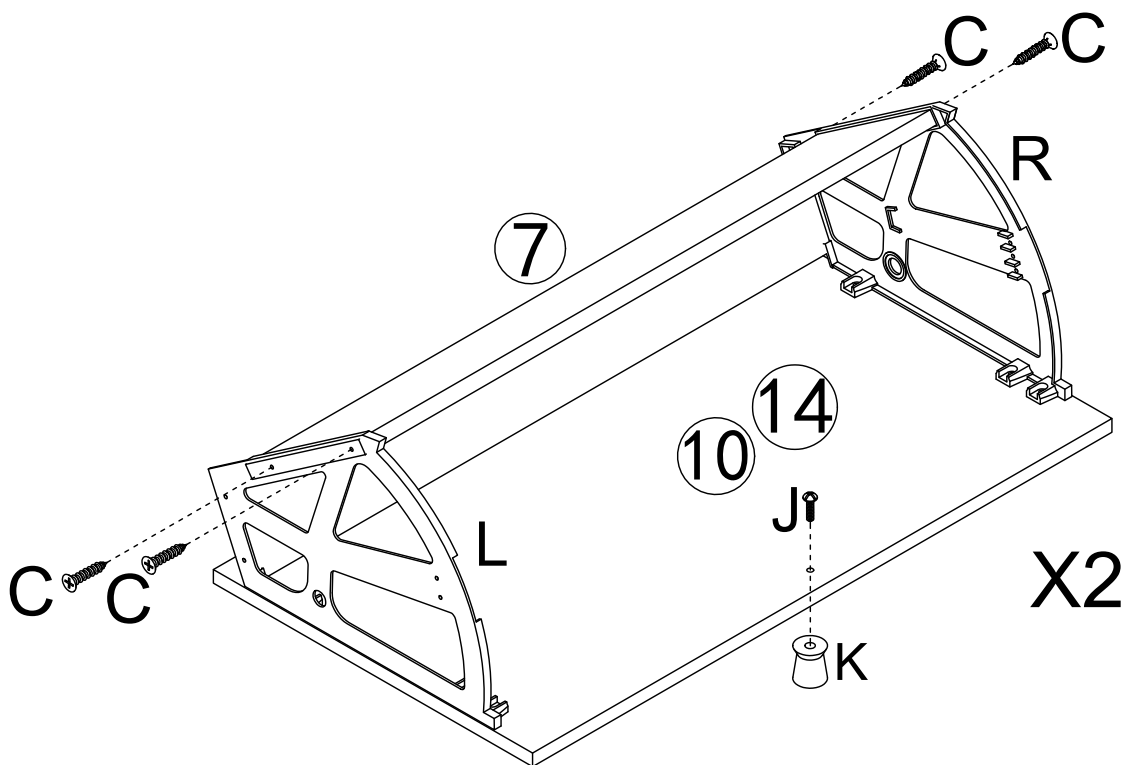


C

12PCS

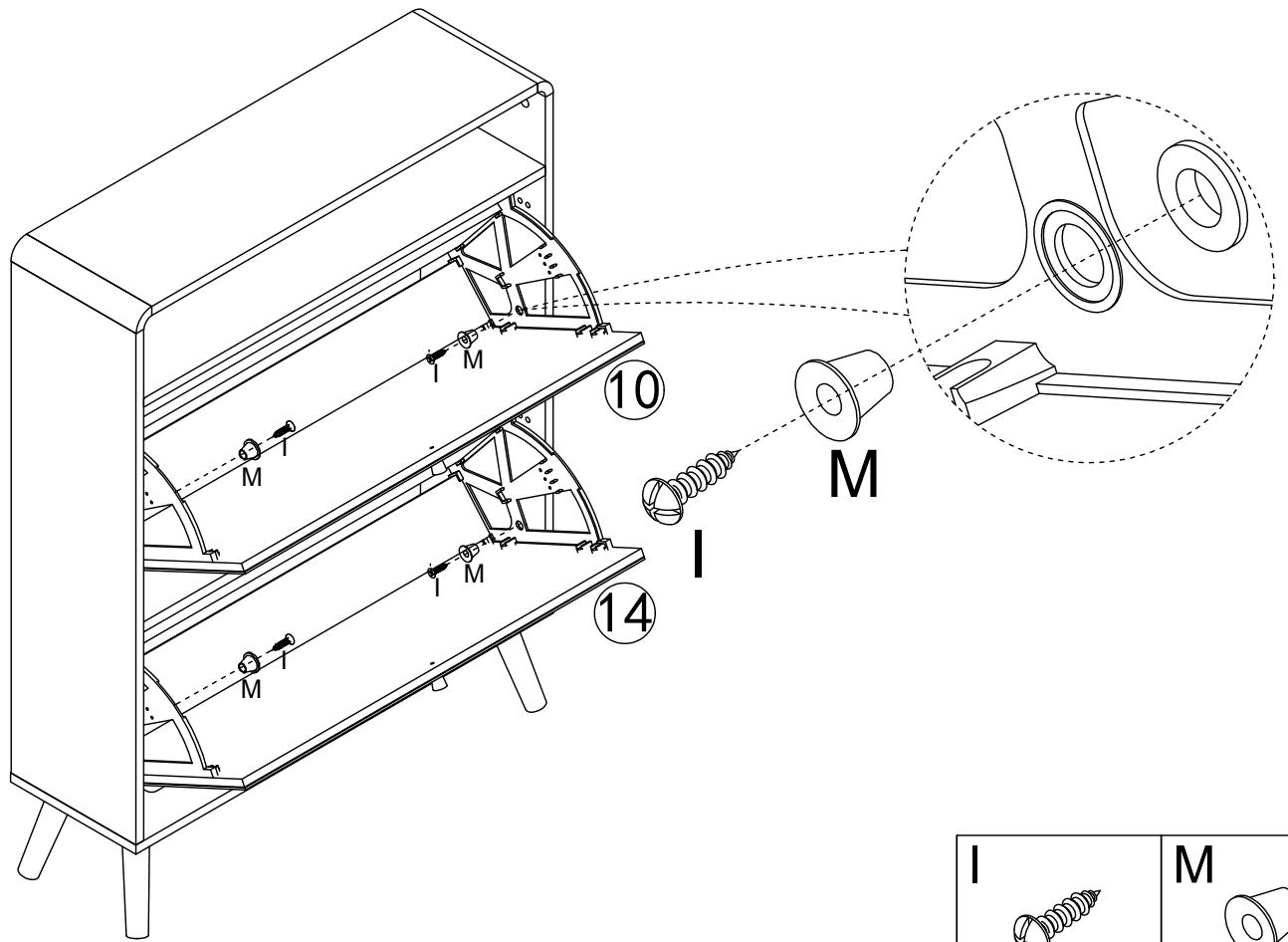
Step 11



Step 12

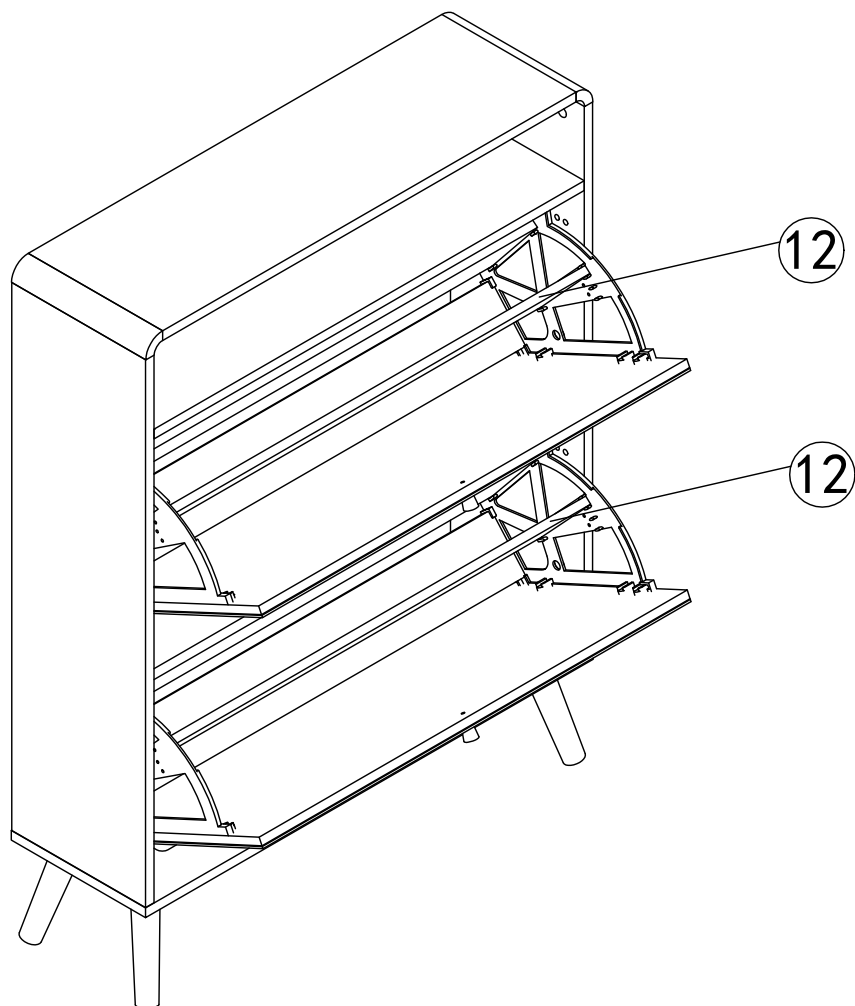


Step 13



I		M	
	4PCS		4PCS

Step 14



Step 15

