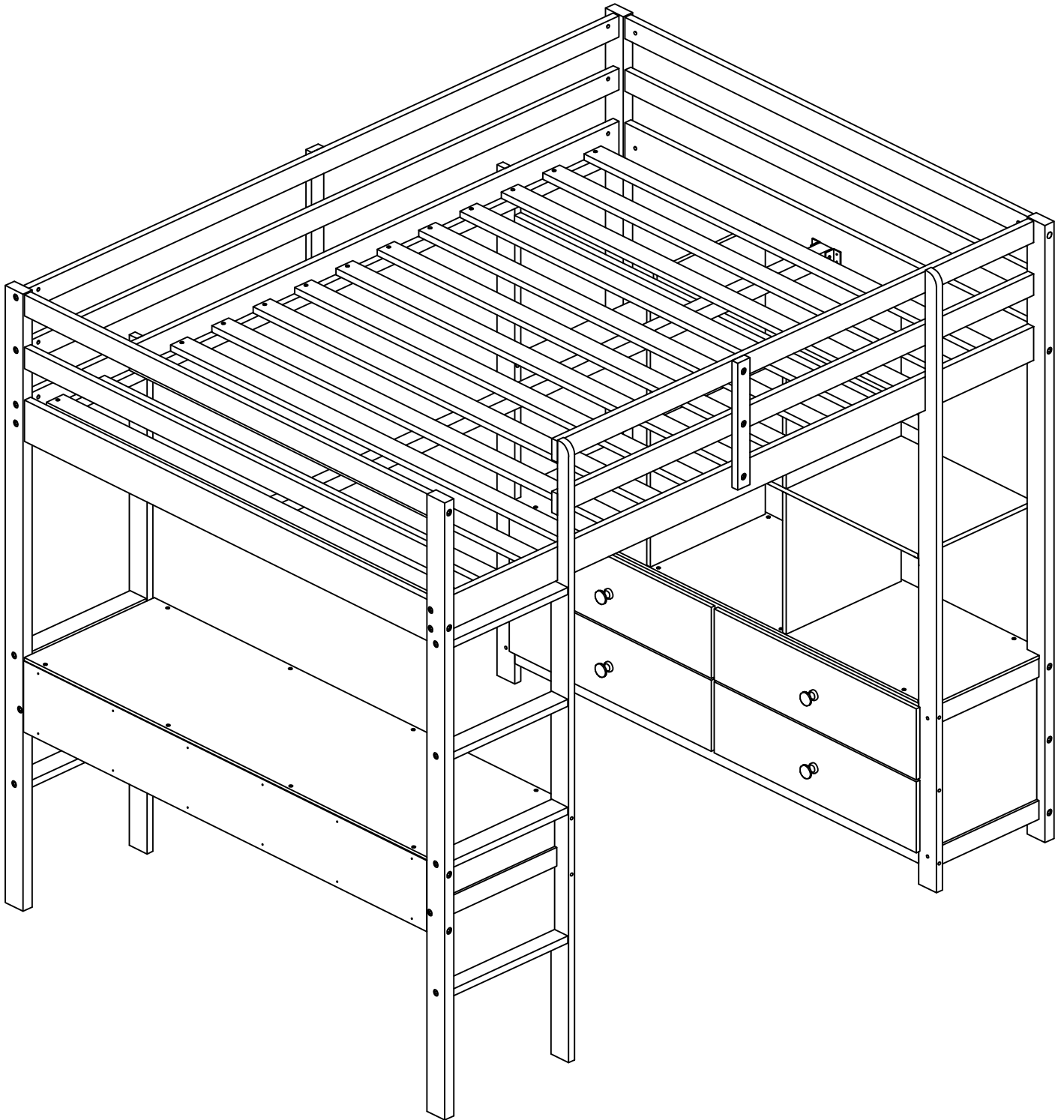


ASSEMBLY INSTRUCTION



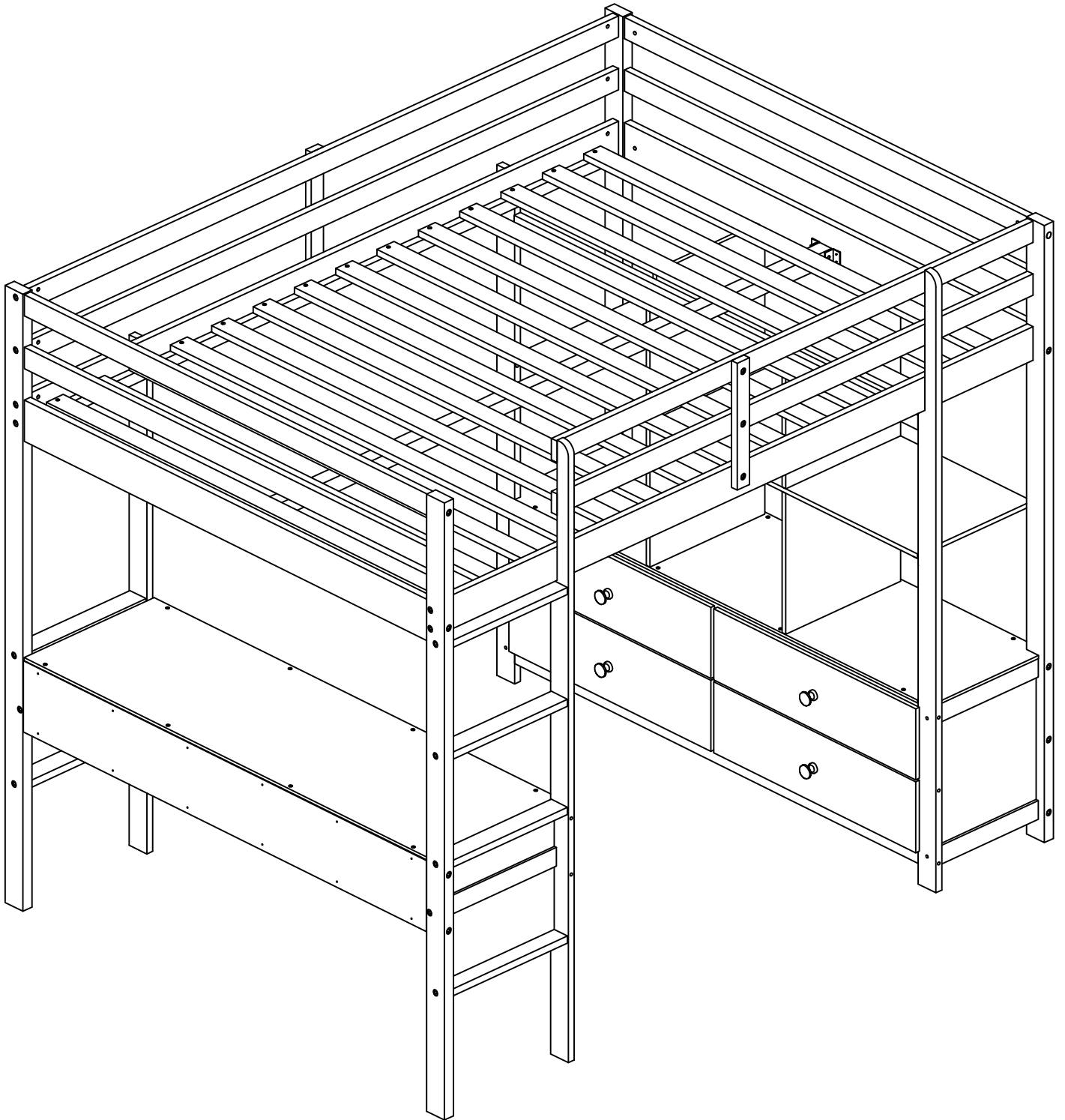
! SAFETY WARNINGS !

1. This bed is designed for use only mattress (es) meeting the following specifications on the upper bunk

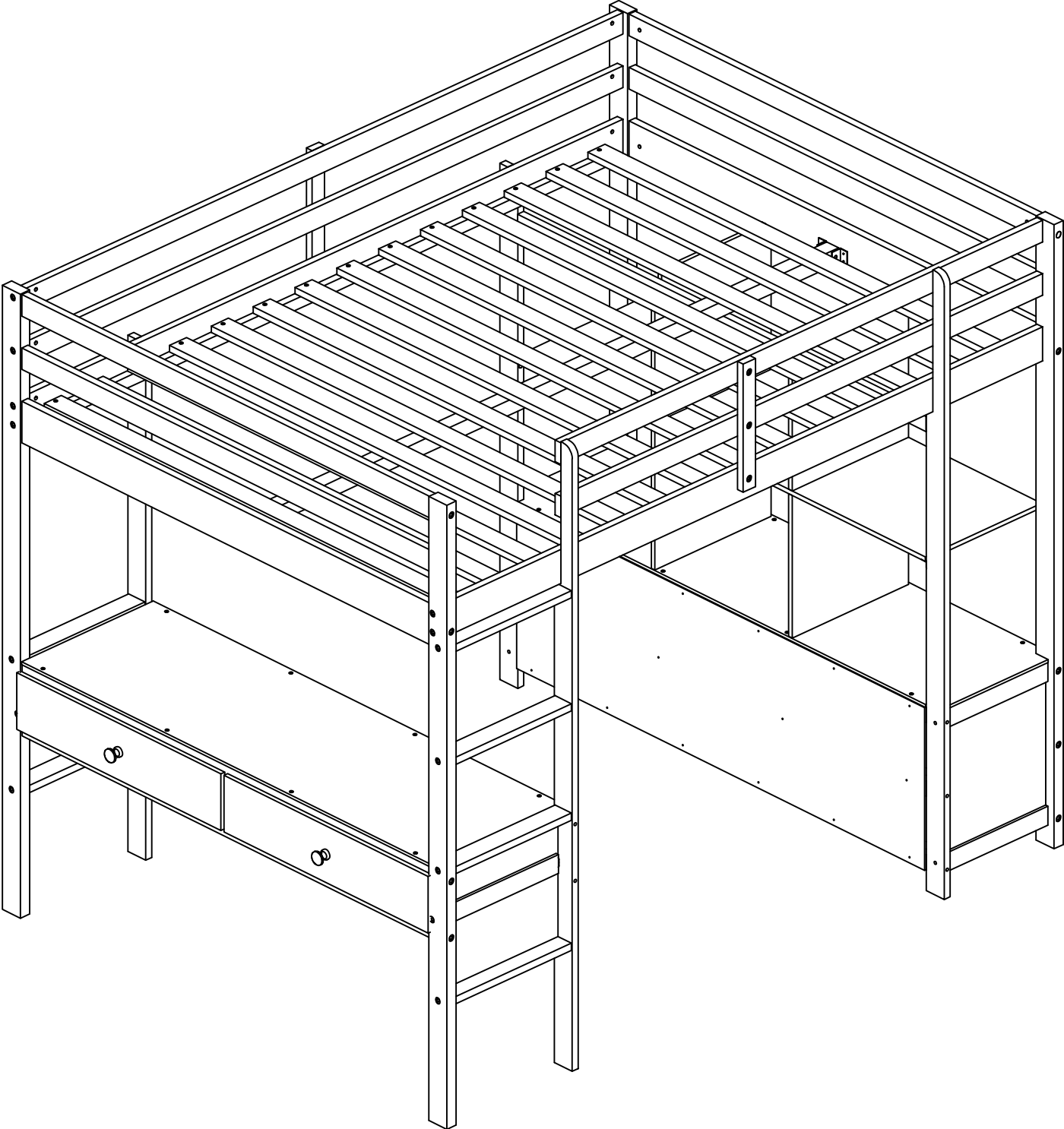
Upper bed			
Bed Type	Length	Width	Thickness
Full Standard	<i>74" - 75"</i>	<i>53 1/2"</i>	<i>6" max</i>

2. Replacement parts, including additional guardrails, maybe obtained from any of our (GIGACLOUD TECHNOLOGY (USA) INC. 18961 ARENTH AVENUE CITY OF INDUSTRY, CA, 91748) dealers
3. Follow the information on the warnings appearing on the upper bunk bed end structure and on the carton. Do not remove warning label from bed
4. Always use the recommended size mattresses or mattress supports, or both, to help prevent the likelihood of entrapment or falls.
5. Surface of mattress must be at least 5" (127mm) below the upper edge of guardrails
6. Do not allow children under 6 years of age to use the upper bunk.
7. Periodically check and ensure that the guardrail, ladder, and other components are in their proper position, free from damage, and that all connectors are tight.
8. Do not allow horseplay on or under the bed and prohibit jumping on the bed.
9. Always use the ladder for entering and leaving the upper bunk.
10. Do not use substitute part. Contact the manufacture or dealer for replacement part
11. Use of a night light may provide added safety precaution for a child using the upper bunk..
12. Always use guardrails on both long sides of the upper bunk. If the bunk bed will be placed next to the wall, the guardrail that runs the full length of the bed should be placed against the wall to prevent entrapment between the bed and wall.
13. The use of water or sleep flotation mattresses is prohibited
14. STRANGULATION HAZARD - Never attach or hang items to any part of the bunk bed that are not designed for use with the bed; for example, but not limited to, hook, belts and jump ropes
15. Keep these instruction for future reference
16. Prohibit more than one person on upper bunk
17. We recommend assembling your bunk bed on the shipping carton to protect your floor or carpet
18. Be certain all staples are out of the box before beginning assembly on the shipping carton.

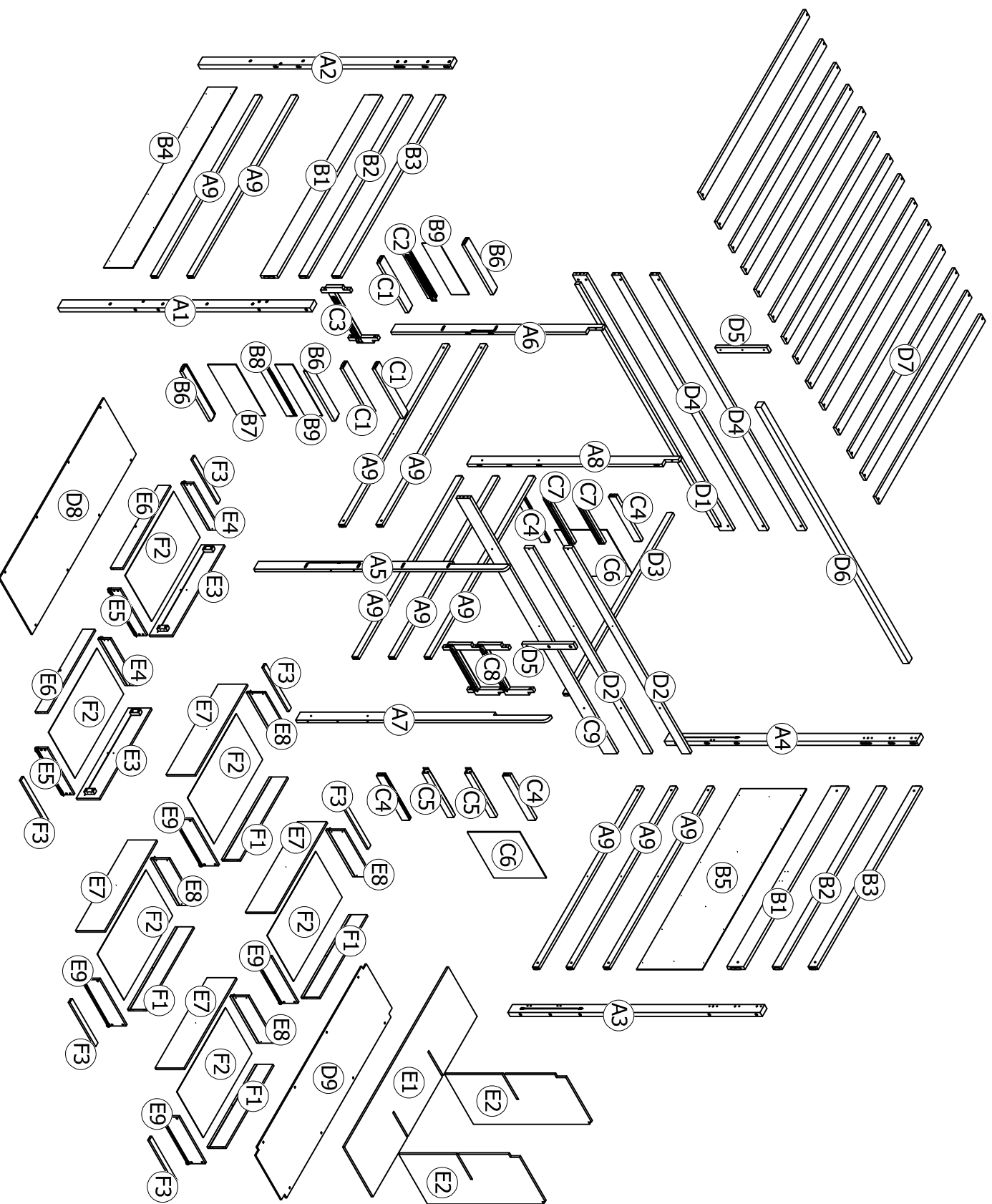
OPTION 1: DRAWER -INSIDE



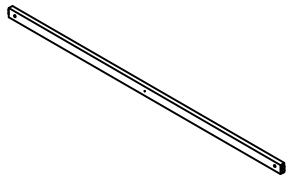
OPTION 2: DRAWER -OUTSIDE



ASSEMBLY INSTRUCTION

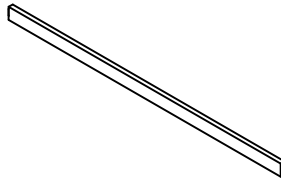


A9



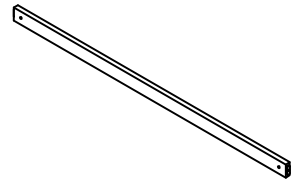
WoodBar-10pcs

B2



WoodBar-2pcs

B3



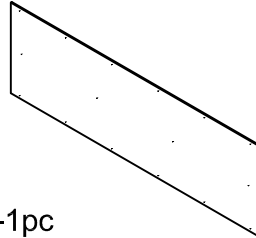
WoodBar-2pcs

B4



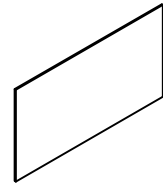
Panel-1pc

B5



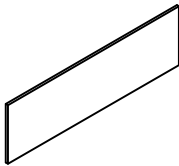
Panel-1pc

B7



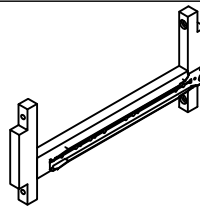
Panel-1pc

B9



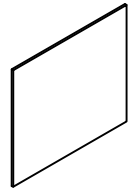
Panel-2pcs

C3



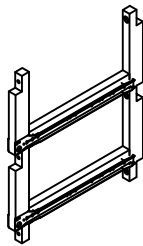
WoodBar-1pc

C6



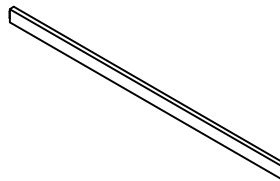
Panel-2pcs

C8



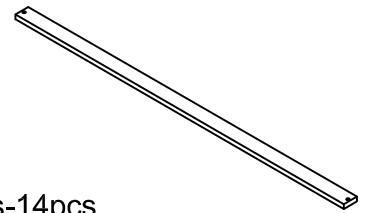
WoodBar-1pc

D3



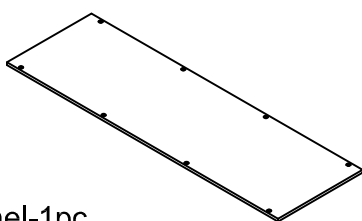
WoodBar-1pc

D7



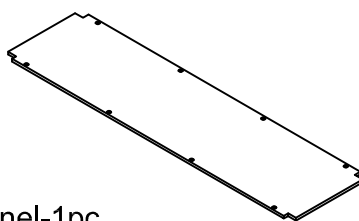
Slats-14pcs

D8



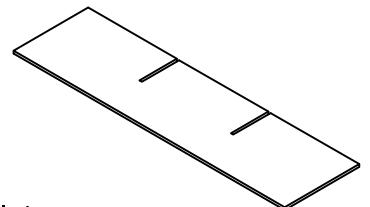
Panel-1pc

D9



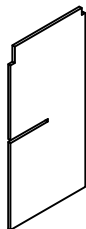
Panel-1pc

E1



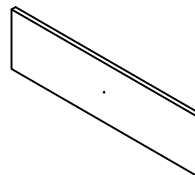
Panel-1pc

E2



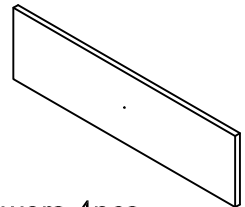
Panel-2pcs

E3



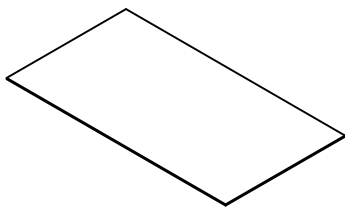
Front Drawers-2pcs

E7




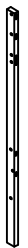






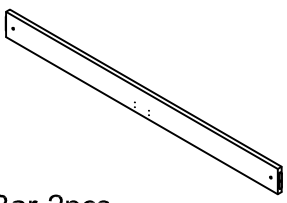
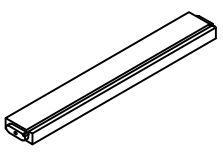
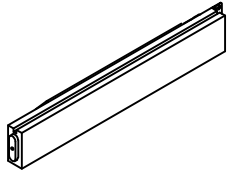
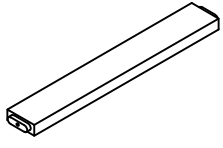
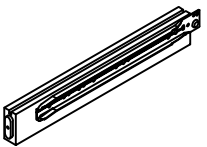
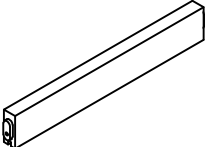
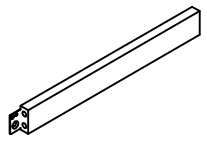
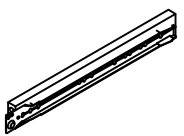
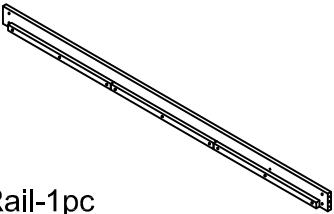
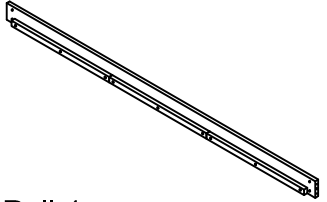
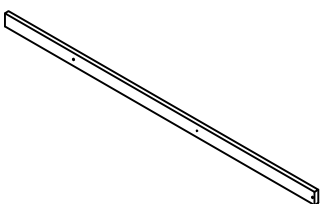
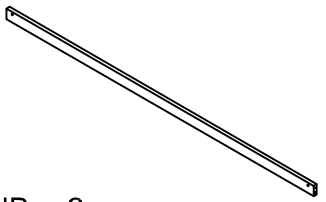

Front Drawers-4pcs

F2



Bottom Drawers-6pcs

Part List & Hardware List (

<p>A1</p>  <p>Leg-1pc</p>	<p>A2</p>  <p>Leg-1pc</p>	<p>A3</p>  <p>Leg-1pc</p>
<p>A4</p>  <p>Leg-1pc</p>	<p>A5</p>  <p>Leg-1pc</p>	<p>A6</p>  <p>Leg-1pc</p>
<p>A7</p>  <p>Leg-1pc</p>	<p>A8</p>  <p>Leg-1pc</p>	<p>B1</p>  <p>WoodBar-2pcs</p>
<p>B6</p>  <p>WoodBar-3pcs</p>	<p>B8</p>  <p>WoodBar-1pc</p>	<p>C1</p>  <p>WoodBar-3pcs</p>
<p>C2</p>  <p>WoodBar-1pc</p>	<p>C4</p>  <p>WoodBar-4pcs</p>	<p>C5</p>  <p>WoodBar-2pcs</p>
<p>C7</p>  <p>WoodBar-2pcs</p>	<p>C9</p>  <p>Side Rail-1pc</p>	<p>D1</p>  <p>Side Rail-1pc</p>
<p>D2</p>  <p>WoodBar-2pcs</p>	<p>D4</p>  <p>WoodBar-2pcs</p>	<p>D5</p>  <p>WoodBar-2pcs</p>

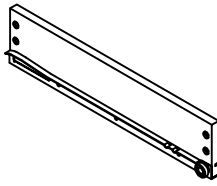
Part List & Hardware List

D6



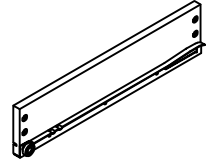
WoodBar-1pc

E4



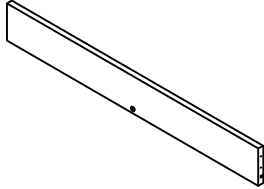
Side Drawers-2pcs

E5



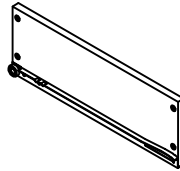
Side Drawers-2pcs

E6



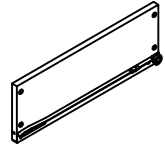
Back Drawers-2pcs

E8



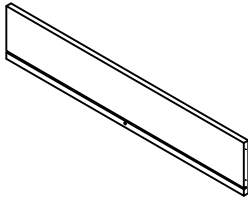
Side Drawers-4pcs

E9



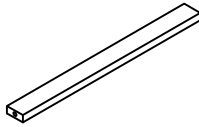
Side Drawers-4pcs

F1



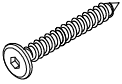
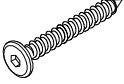

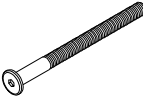
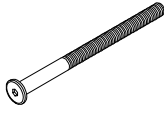
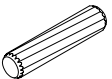
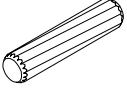
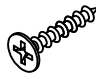
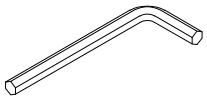
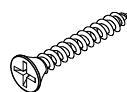
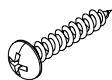
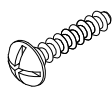

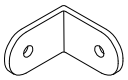
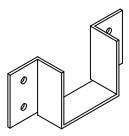
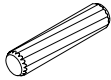
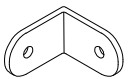
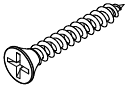
Back Drawers-4pcs

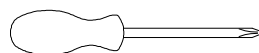
F3



Support Drawers-6pcs

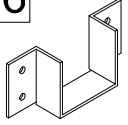
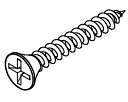
Hardware List

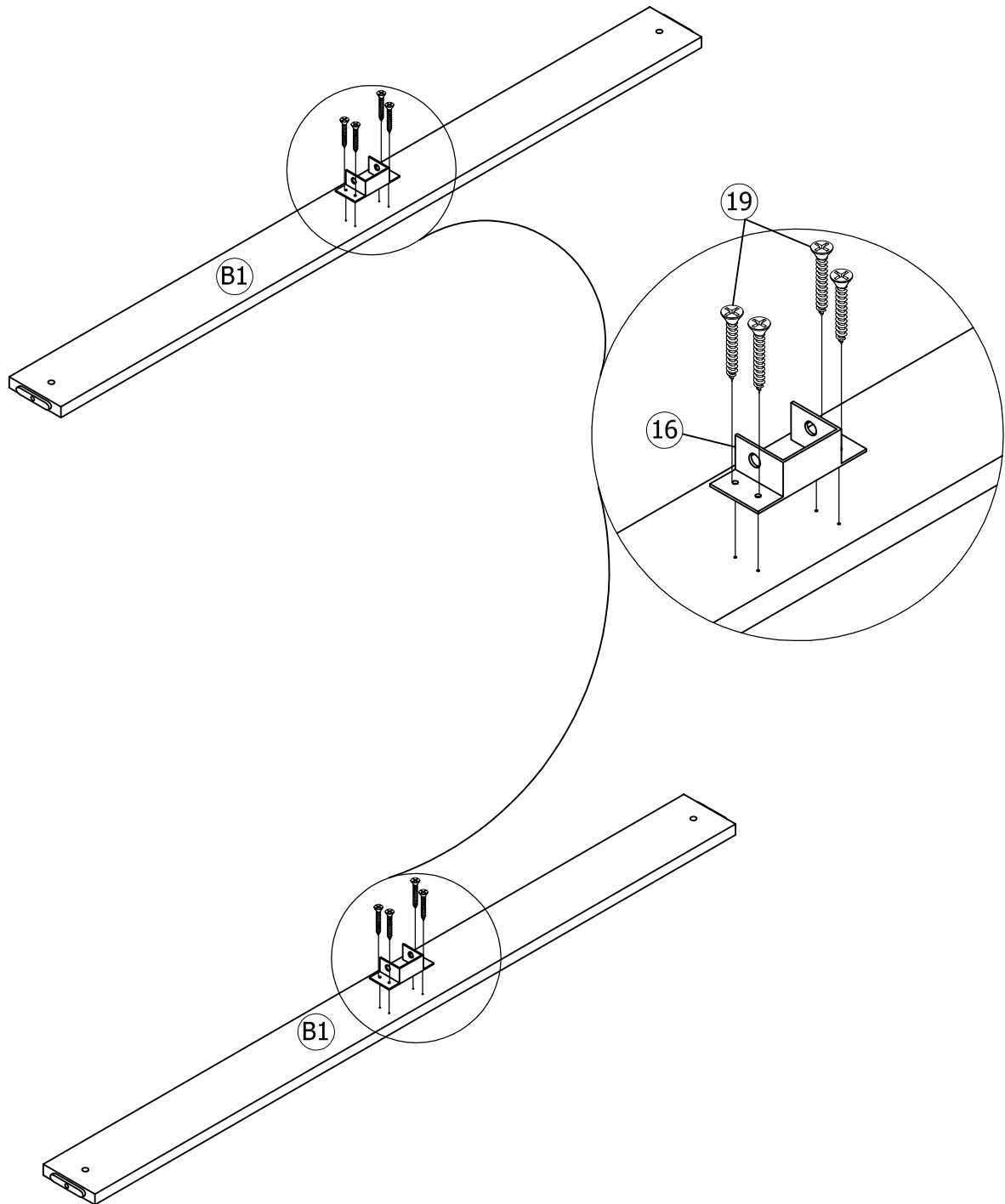
<p>1</p>  <p>Screws 1/4" x30 16pcs</p>	<p>2</p>  <p>Screws 1/4" x40 20pcs</p>	<p>3</p>  <p>Screws 1/4" x50 12pcs</p>
<p>4</p>  <p>Ø1/4" x 80 mm Hex-Head bolts 14pcs</p>	<p>5</p>  <p>Ø1/4" x 100 mm Hex-Head bolts 28pcs</p>	<p>6</p>  <p>Ø1/4" x 13 mm Horizontal-Hole bolts 42pcs</p>
<p>7</p>  <p>Ø8 x 30 mm Wood dowel 16pcs</p>	<p>8</p>  <p>Ø10 x 40 mm Wood dowel 10pcs</p>	<p>9</p>  <p>M3.5 x 12 mm Wood Screws 36pcs</p>
<p>10</p>  <p>Allen Key 1pc</p>	<p>11</p>  <p>M4 x 30 mm Wood Screws 82pcs</p>	<p>12</p>  <p>M4 x 15 mm Wood Screws 28pcs</p>
<p>13</p>  <p>M4 x 25 mm Wood Screws 6pcs</p>	<p>14</p>  <p>Handle Wood 6pcs</p>	<p>15</p>  <p>Steel Bracket 12pcs</p>
<p>16</p>  <p>Steel Bracket 2pc</p>	<p>17</p>  <p>Ø6 x 30 mm Wood dowel 6pcs</p>	<p>18</p>  <p>Steel Bracket 6pcs</p>
<p>19</p>  <p>M4 x 20 mm Wood Screws 24pcs</p>		



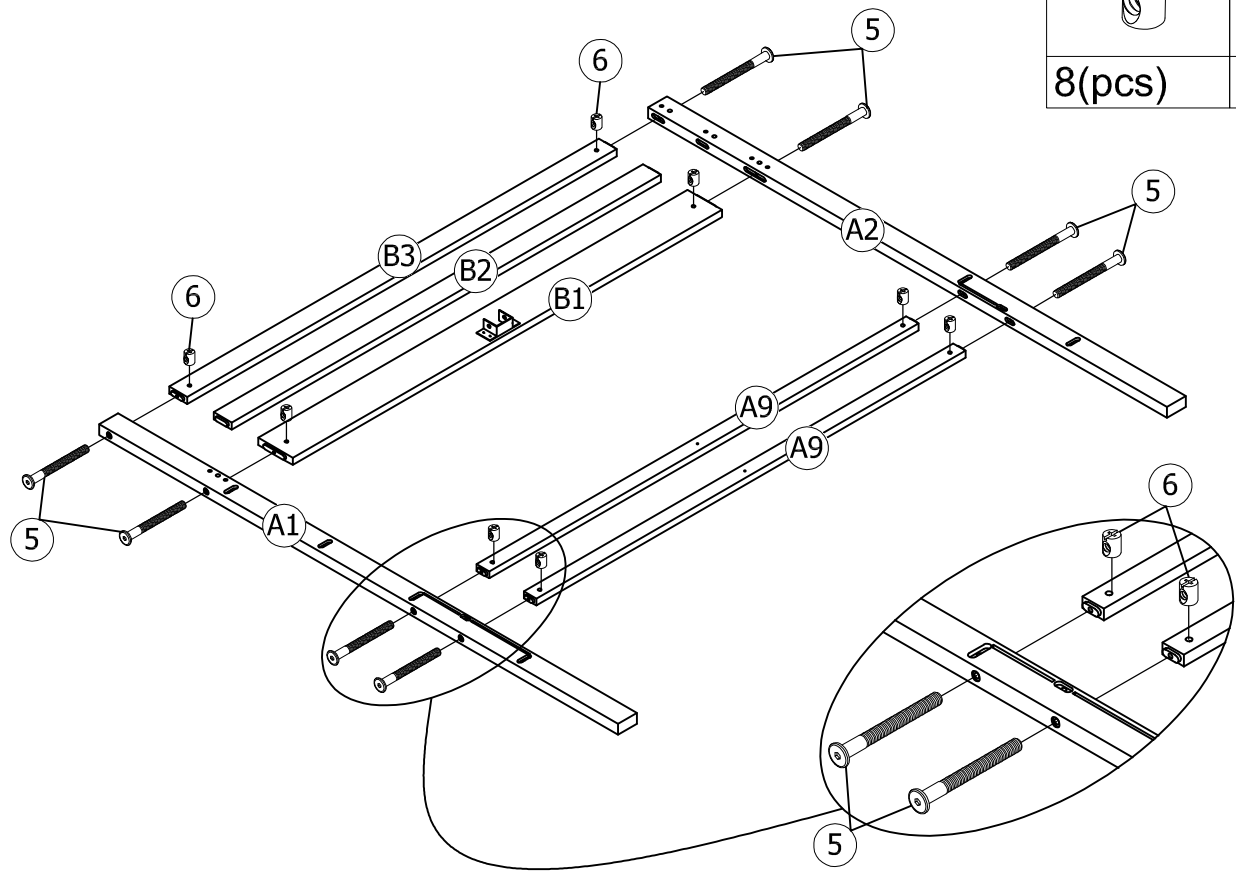
Assembly Tools Required (Not Included)

STEP1: Following below illustration.

16 	19 
2(pcs)	8(pcs)

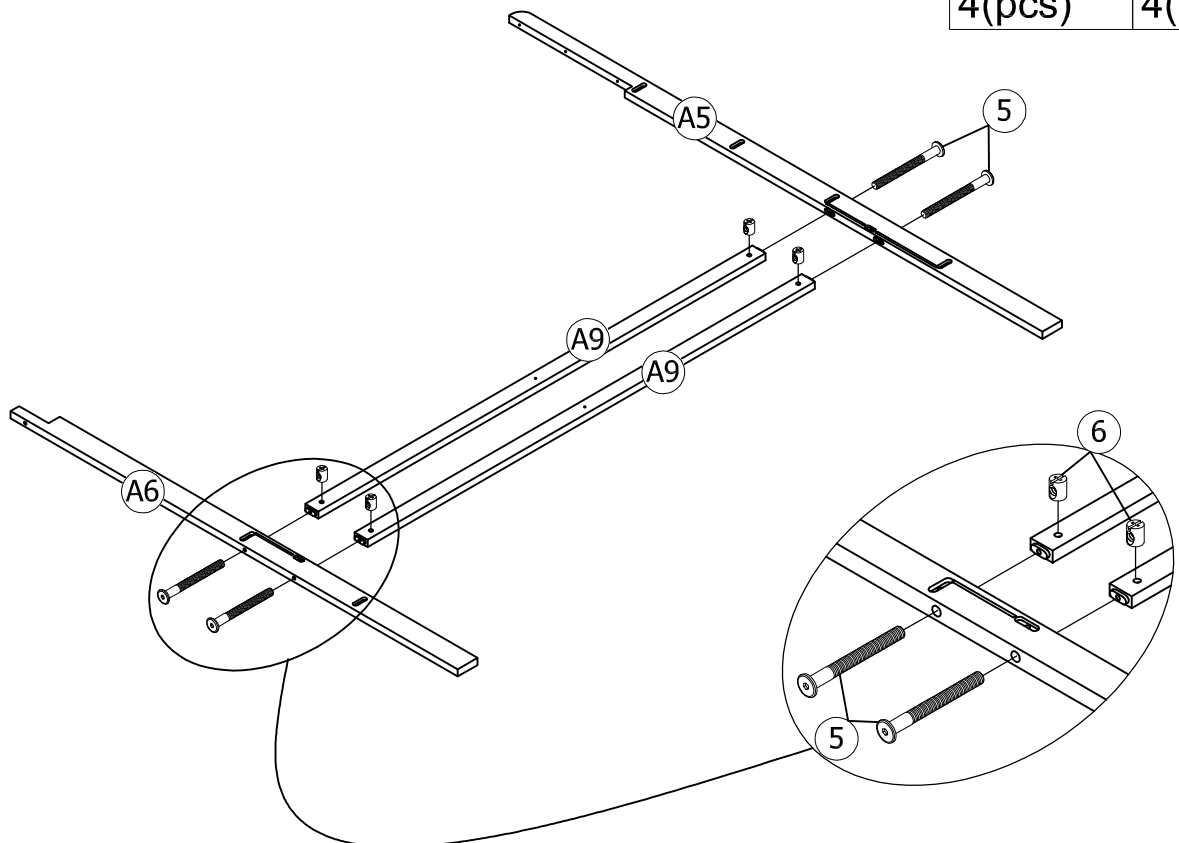


STEP2: Following below illustration.



6	5
8(pcs)	8(pcs)

STEP3: Following below illustration.



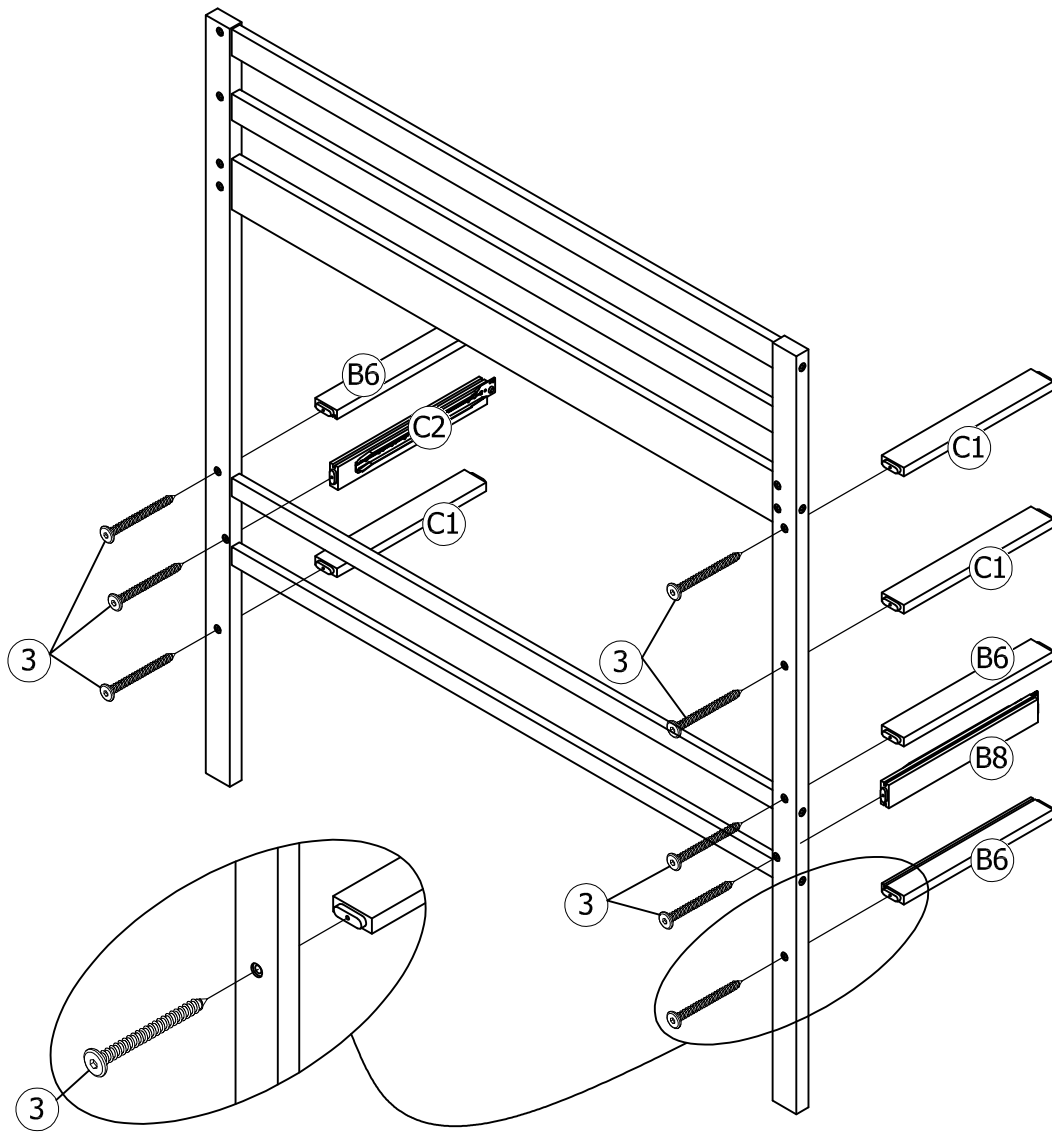
6	5
4(pcs)	4(pcs)

STEP4: Following below illustration.

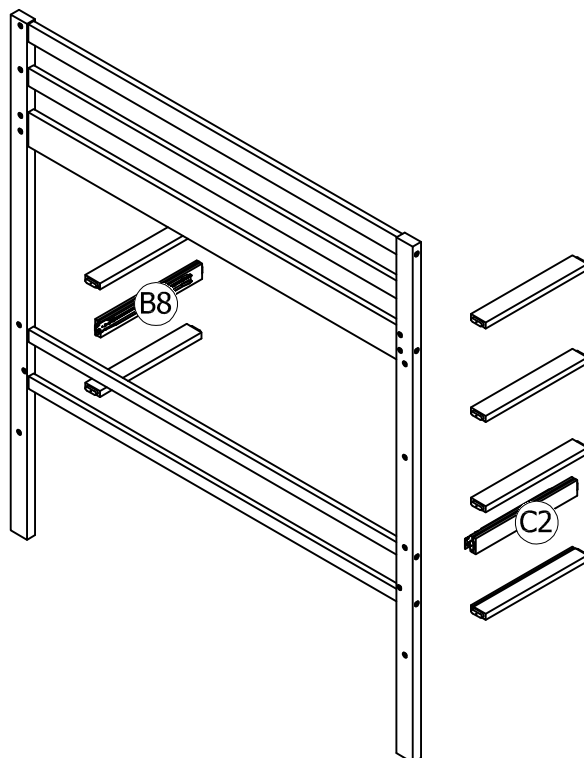
3



8(pcs)

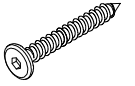


OPTION 2

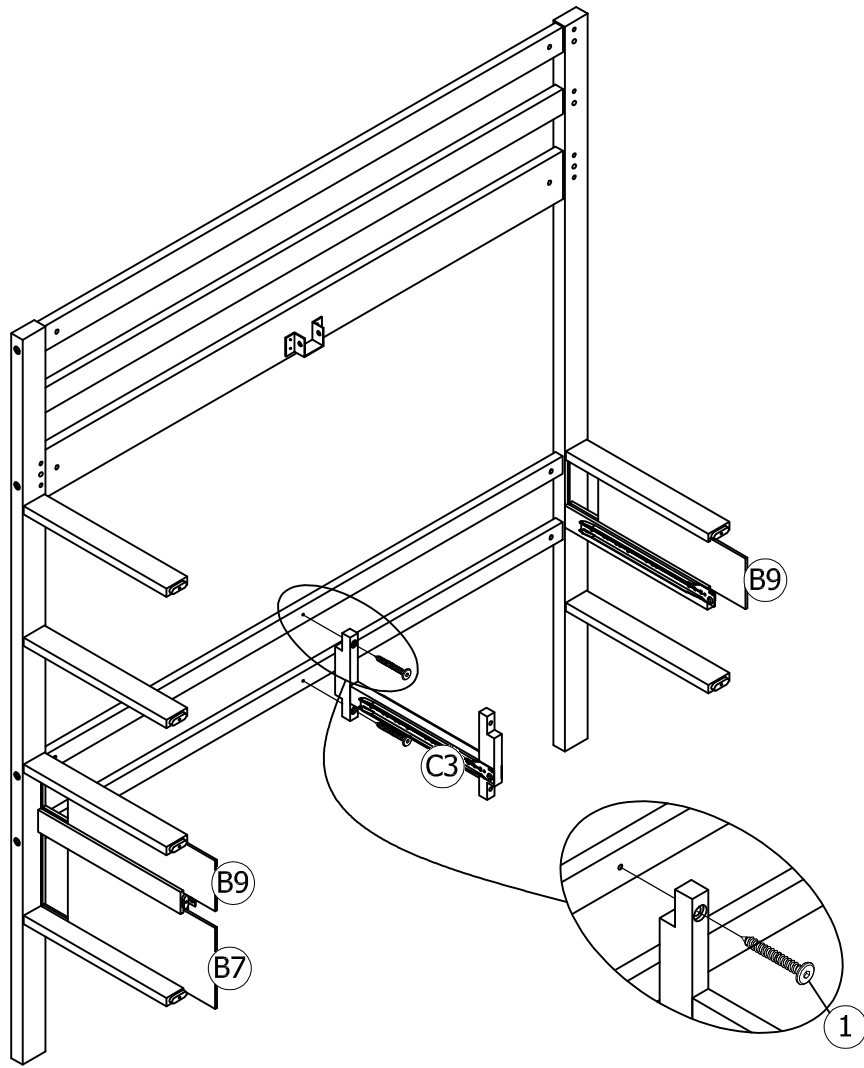


STEP5: Following below illustration.

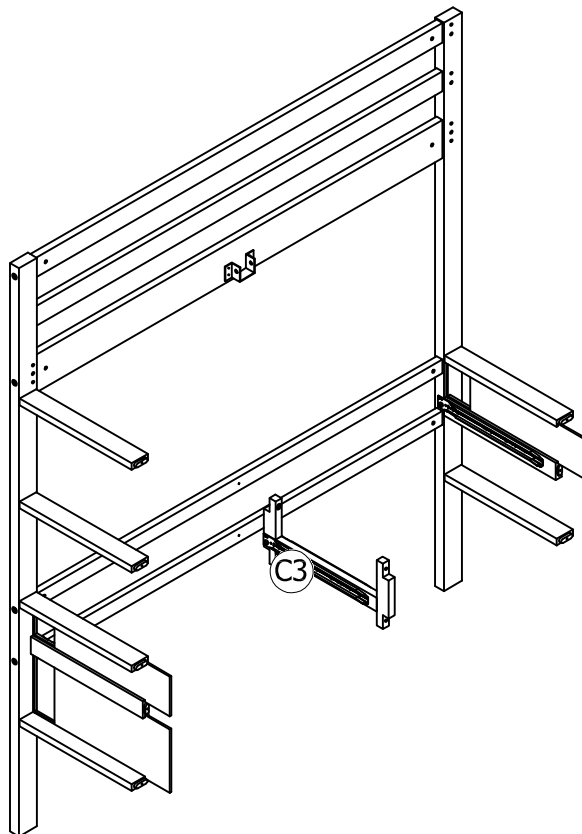
1



2(pcs)



OPTION 2

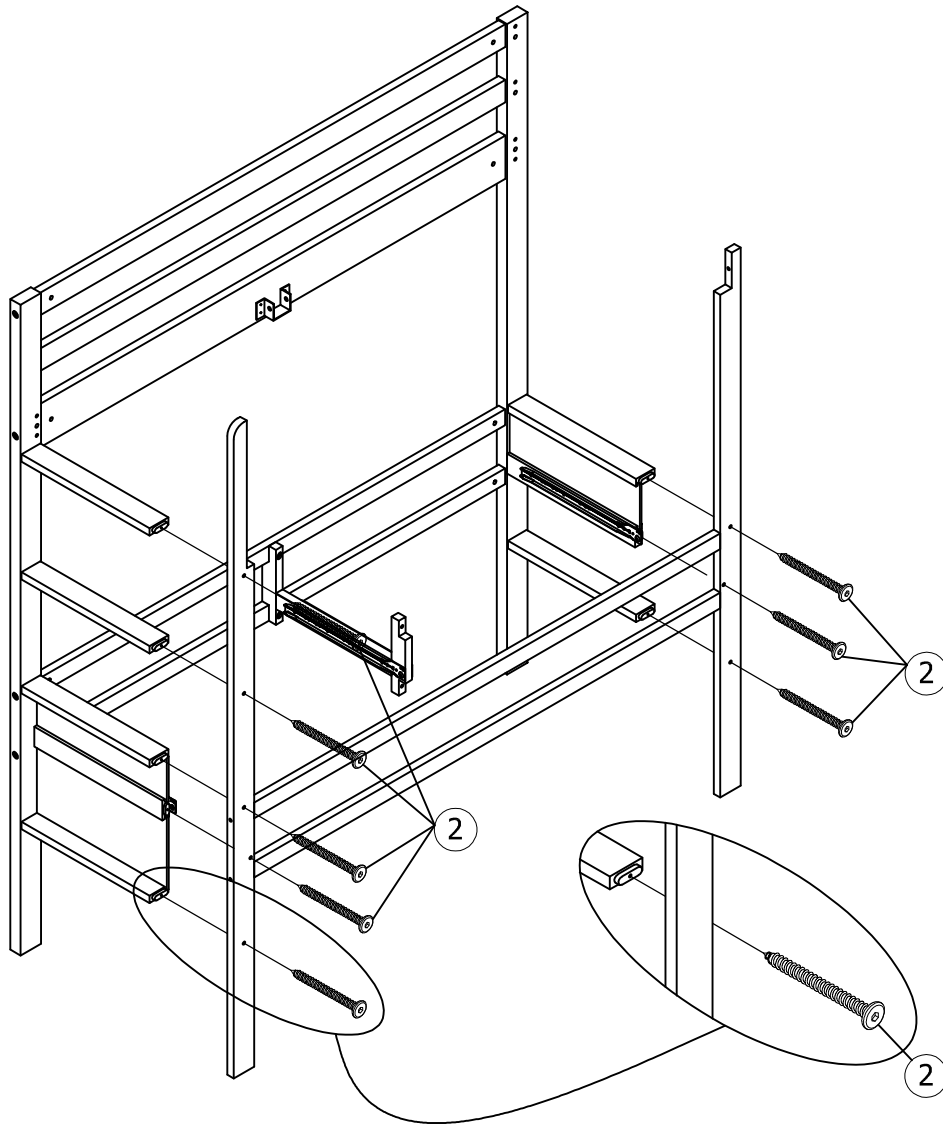


STEP6: Following below illustration.

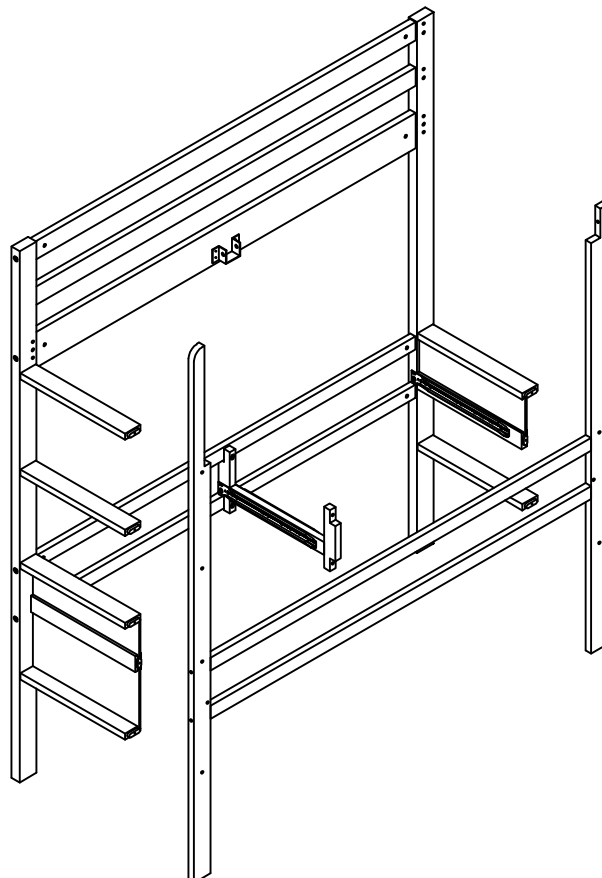
2



8(pcs)



OPTION 2

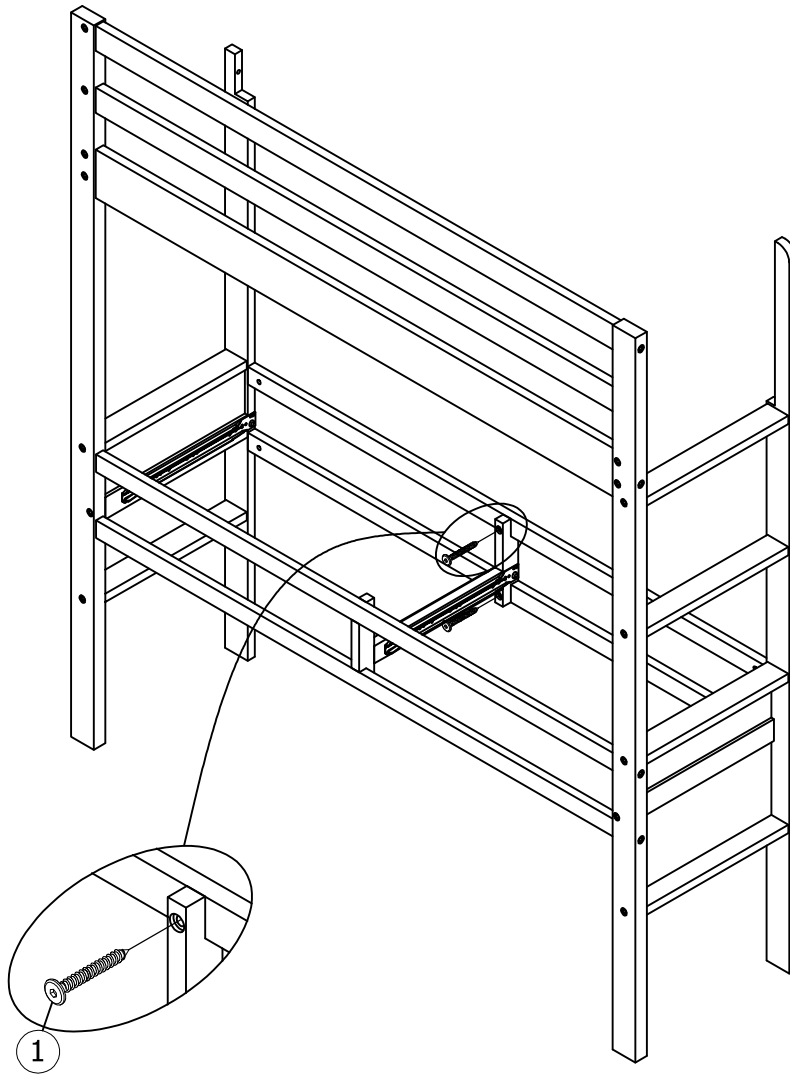


STEP7: Following below illustration.

1

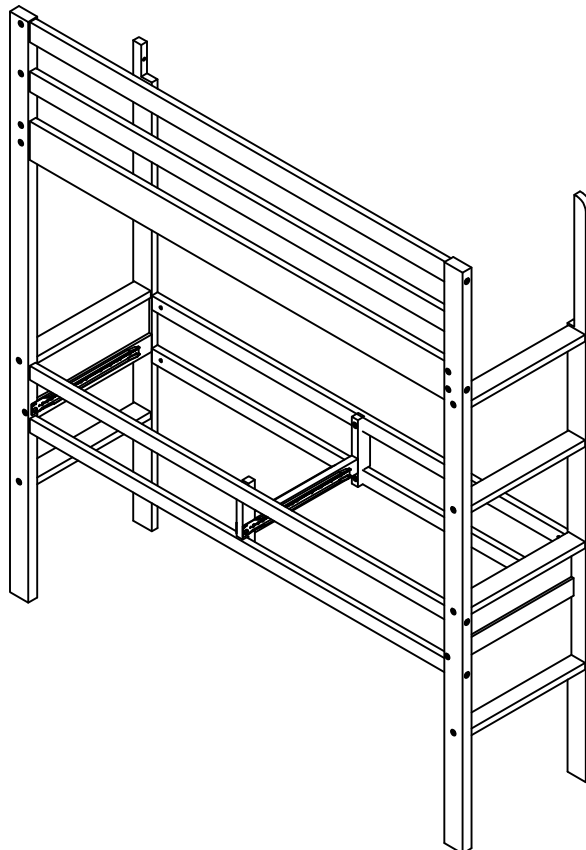


2(pcs)



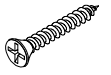
1

OPTION 2

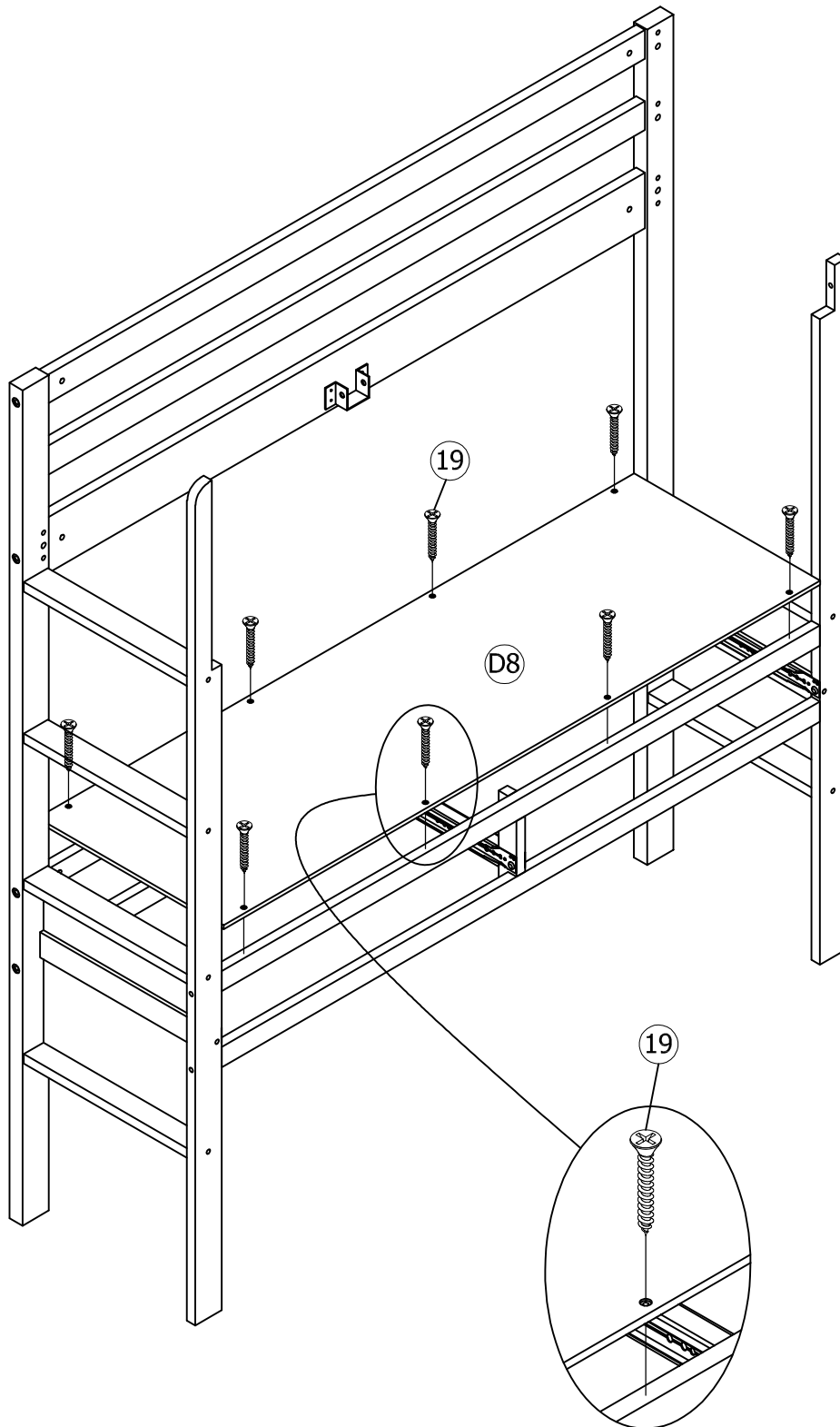


STEP8: Following below illustration.

19



8(pcs)

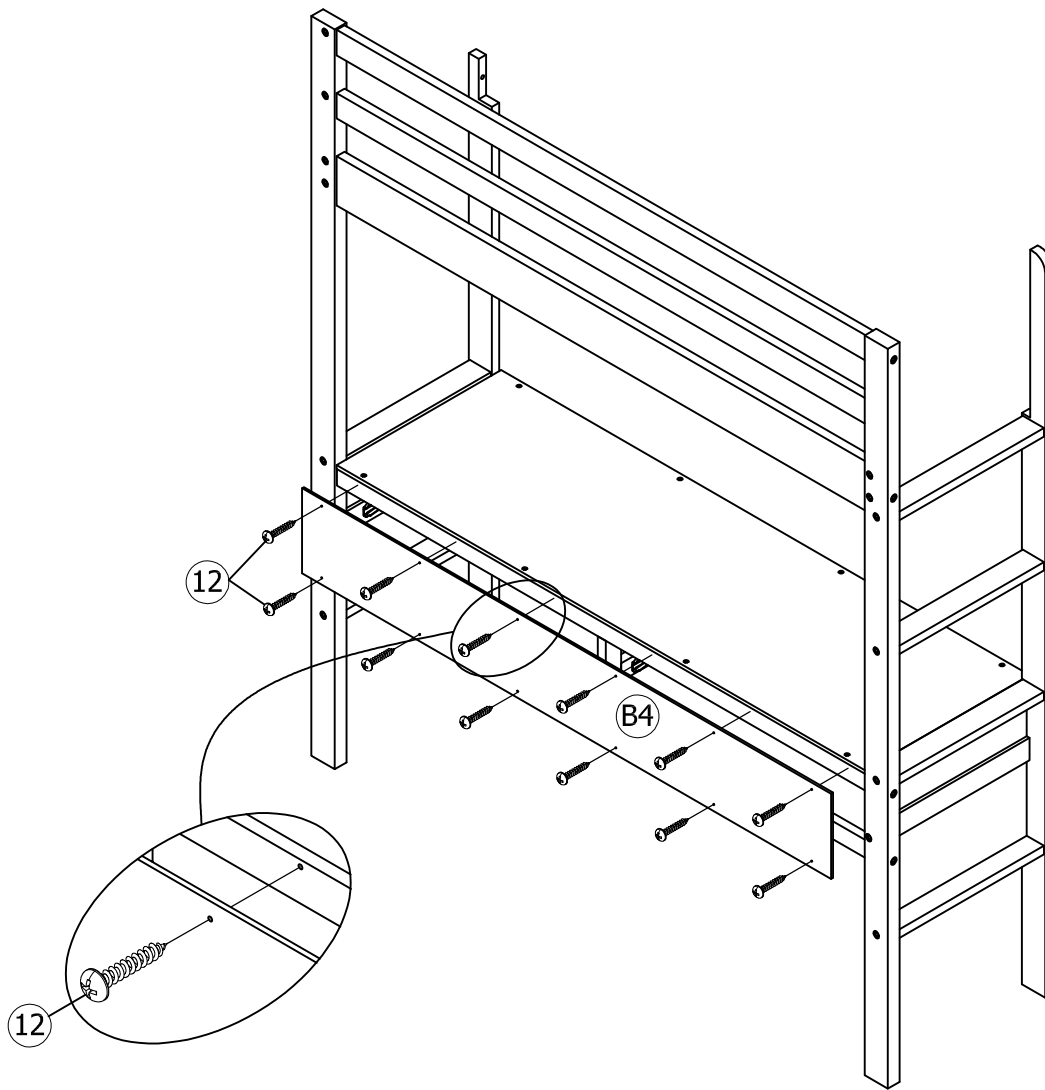


STEP9: Following below illustration.

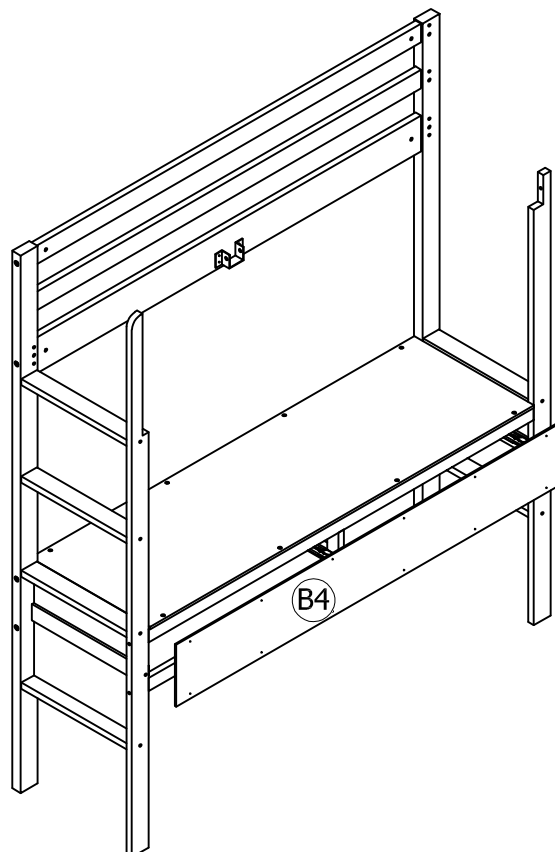
12





12(pcs)

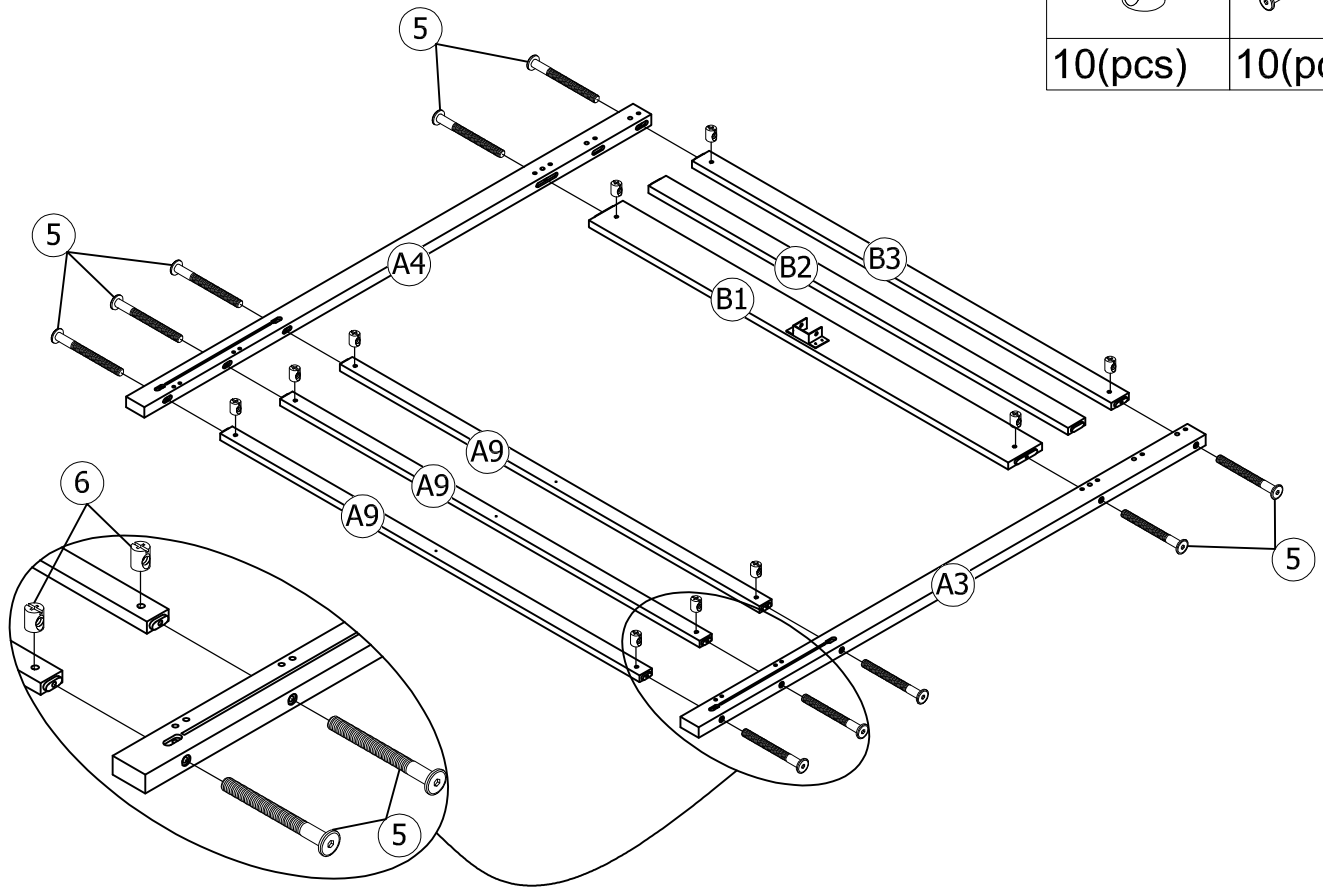


OPTION 2





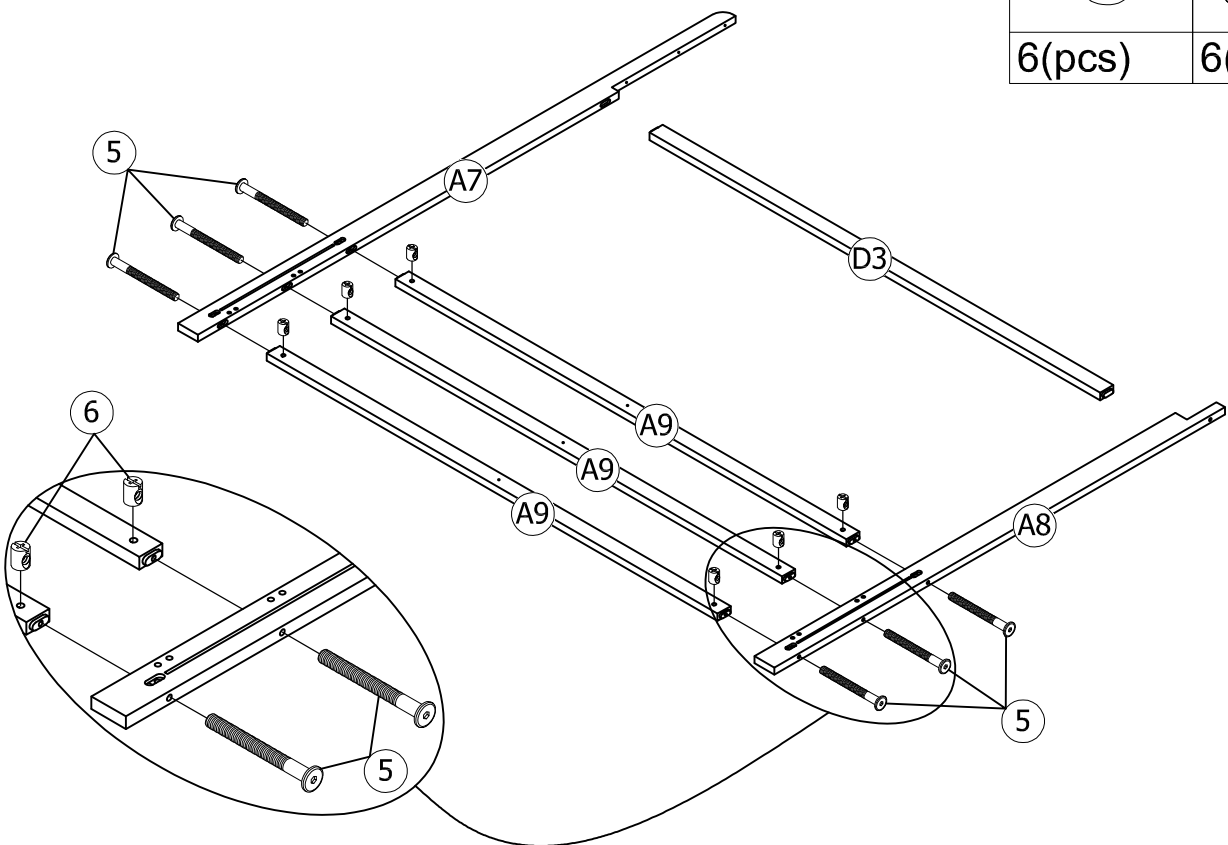
STEP10: Following below illustration.

6		5	
10(pcs)		10(pcs)	

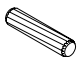
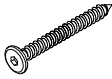


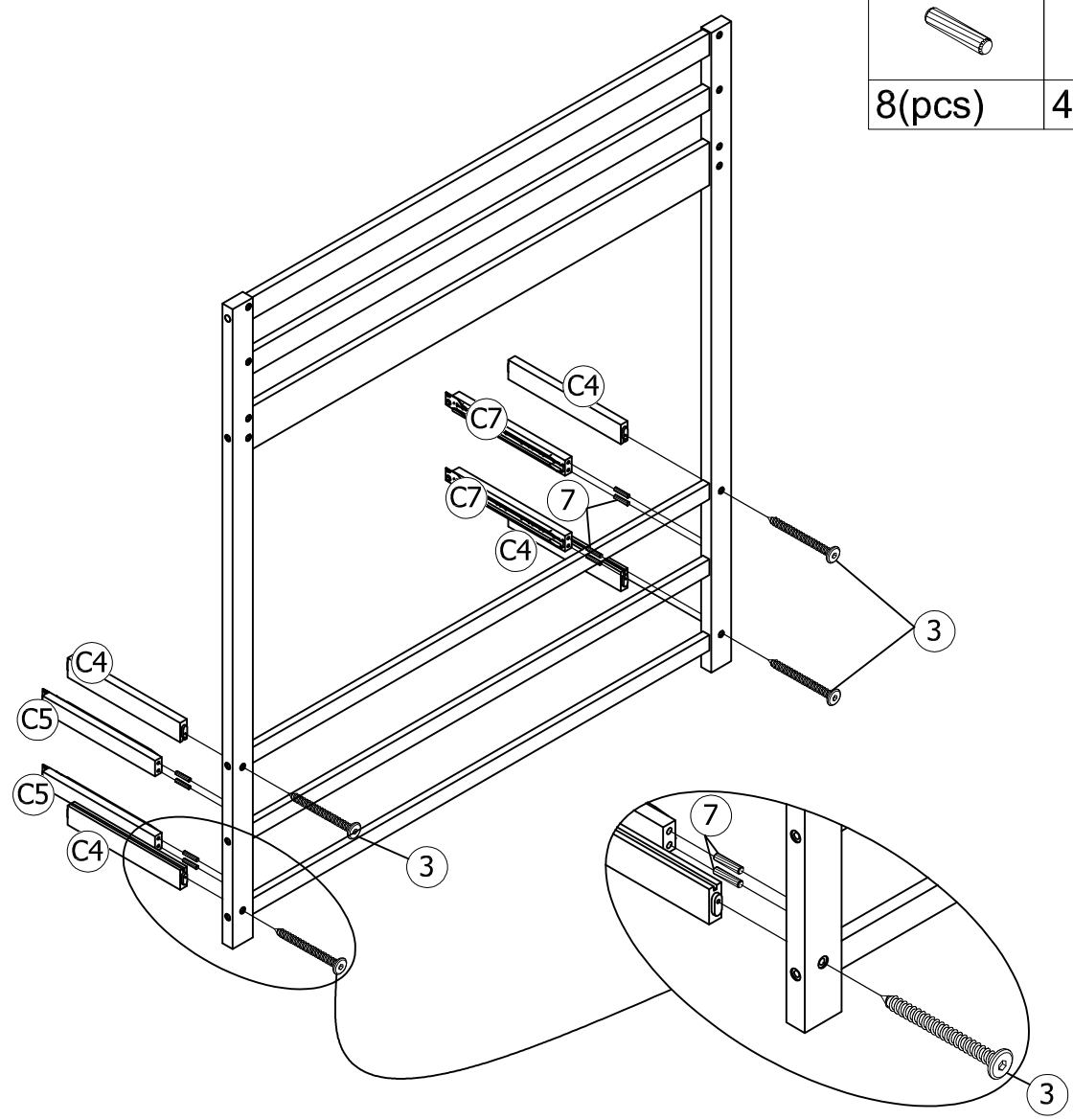
STEP11: Following below illustration.

6		5	
6(pcs)		6(pcs)	

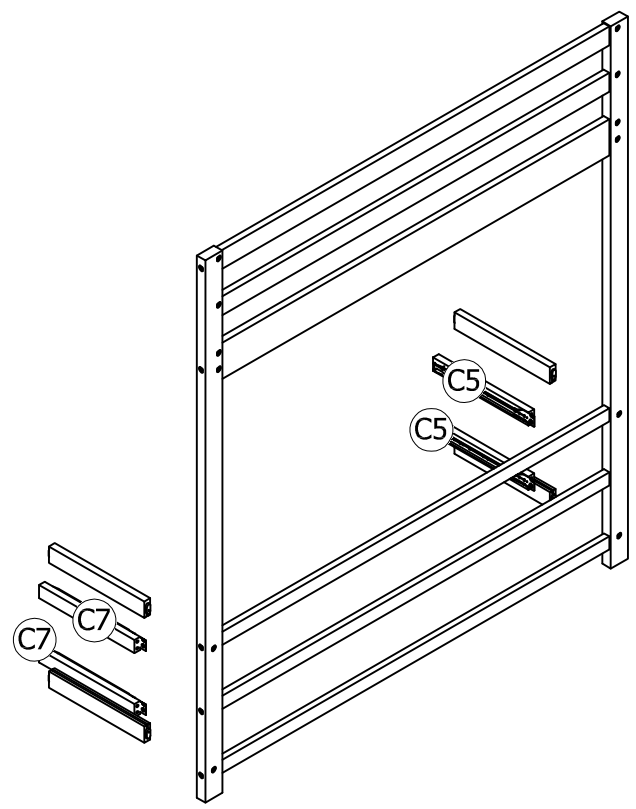


STEP12: Following below illustration.

7	3
	
8(pcs)	4(pcs)



OPTION 2

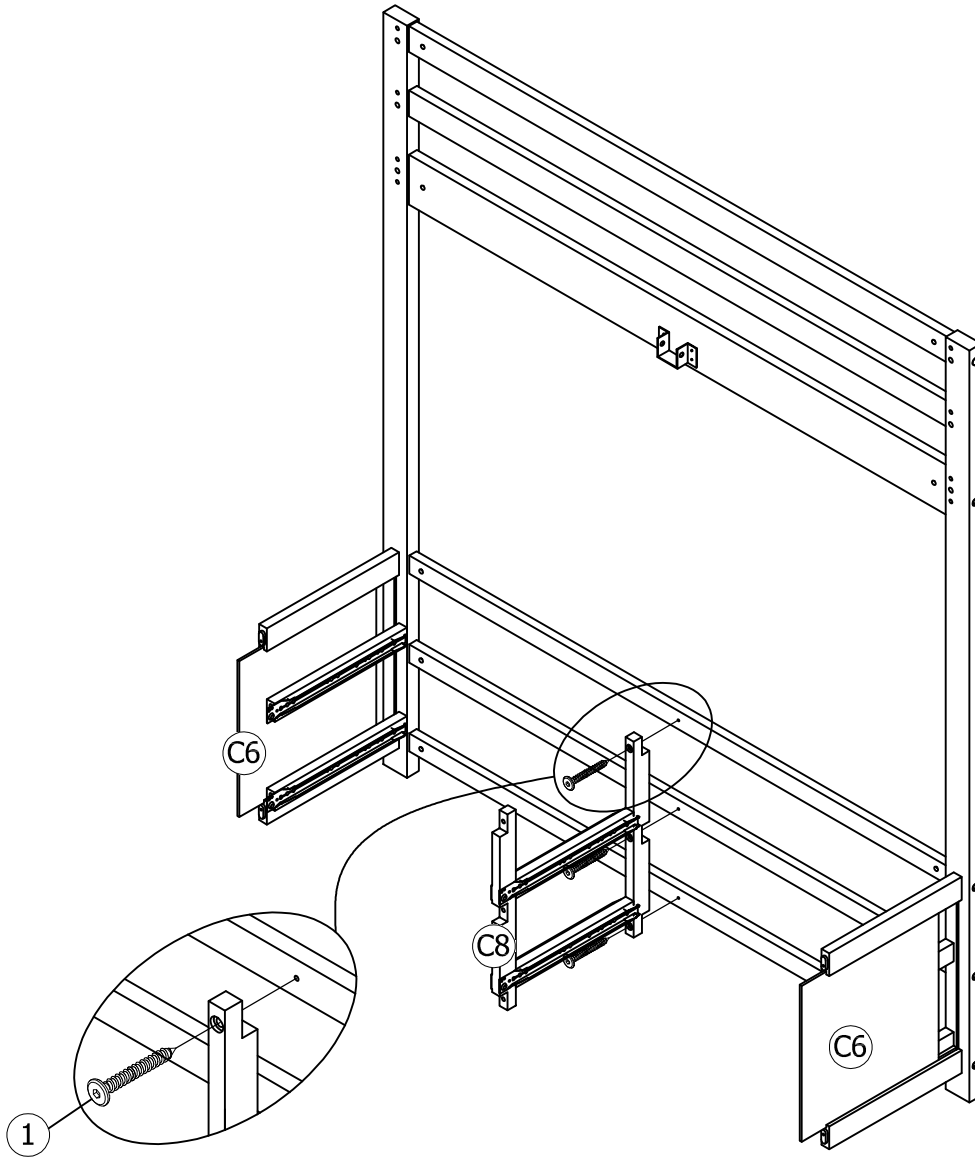


STEP13: Following below illustration.

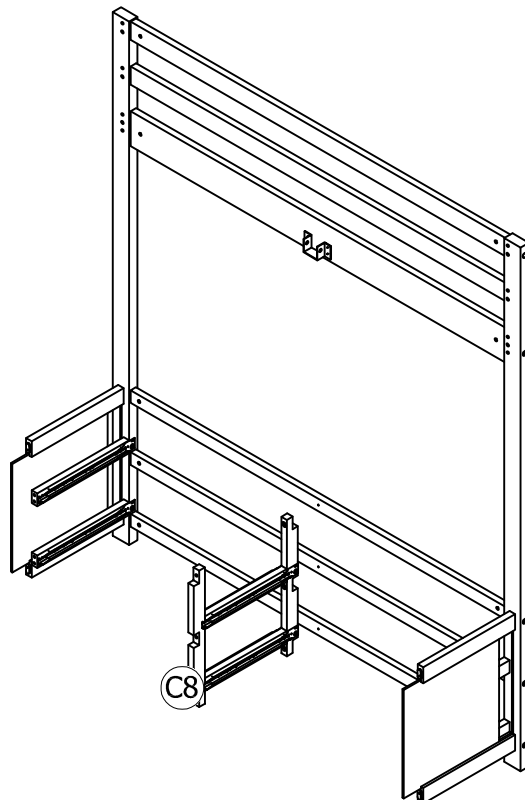
1



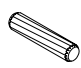

3(pcs)

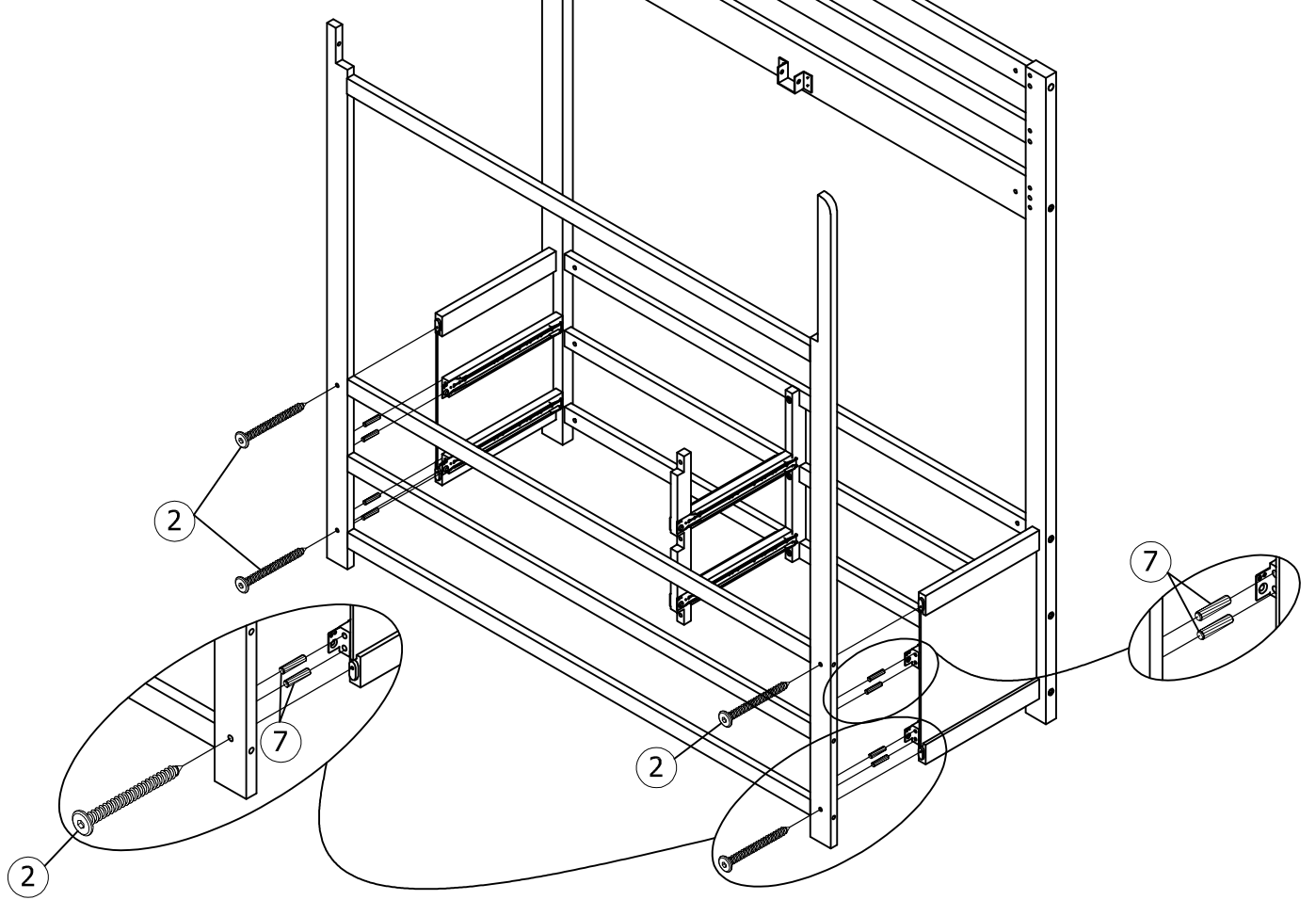


OPTION 2

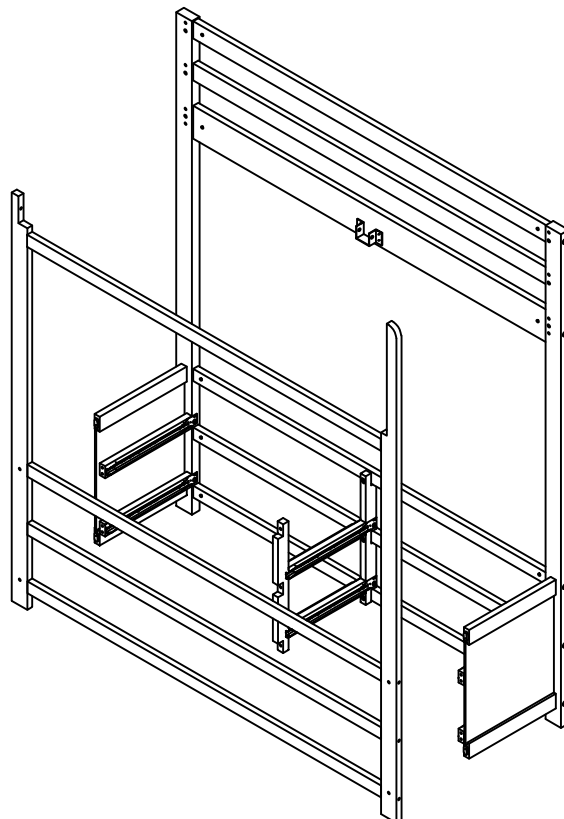


STEP14: Following below illustration.

7	2
	
8(pcs)	4(pcs)



OPTION 2

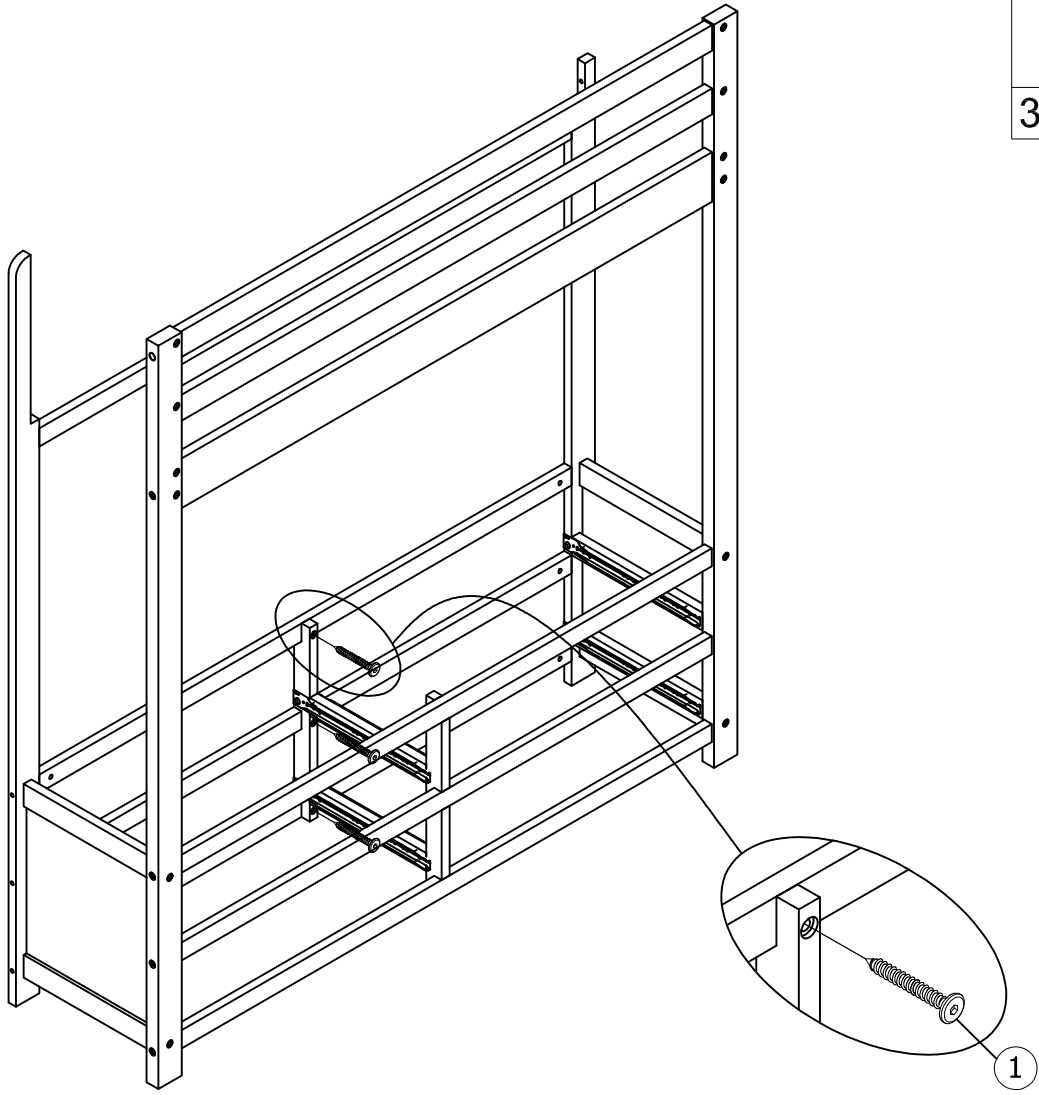


STEP15: Following below illustration.

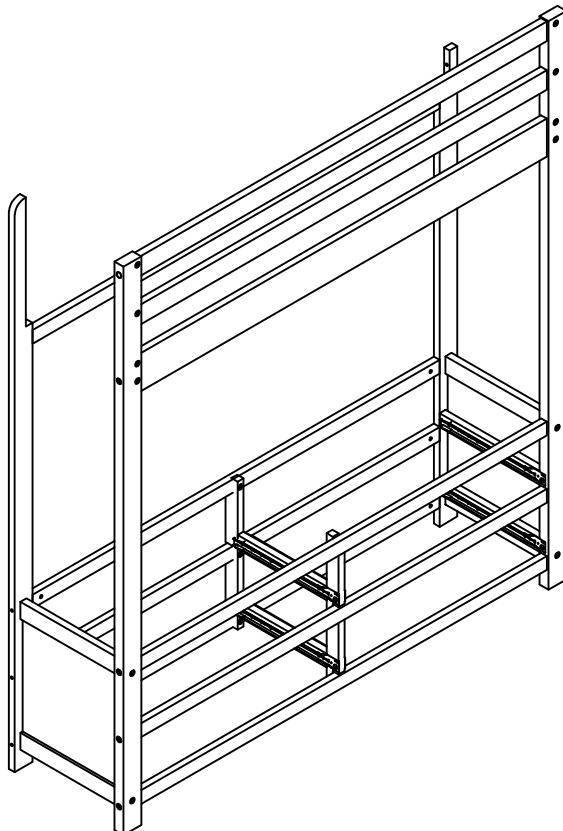
1



3(pcs)

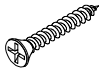


OPTION 2

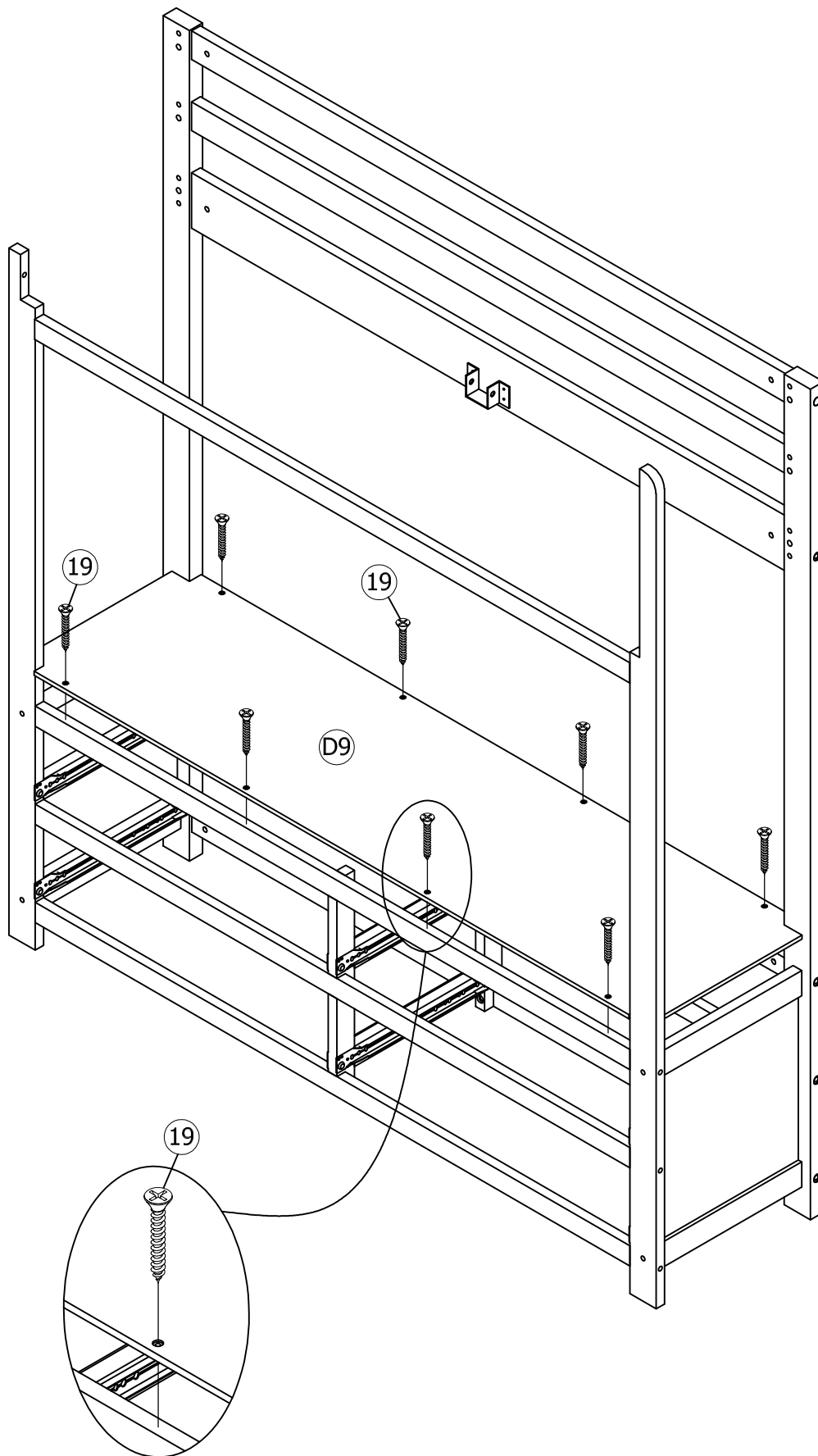


STEP16: Following below illustration.

19



8(pcs)

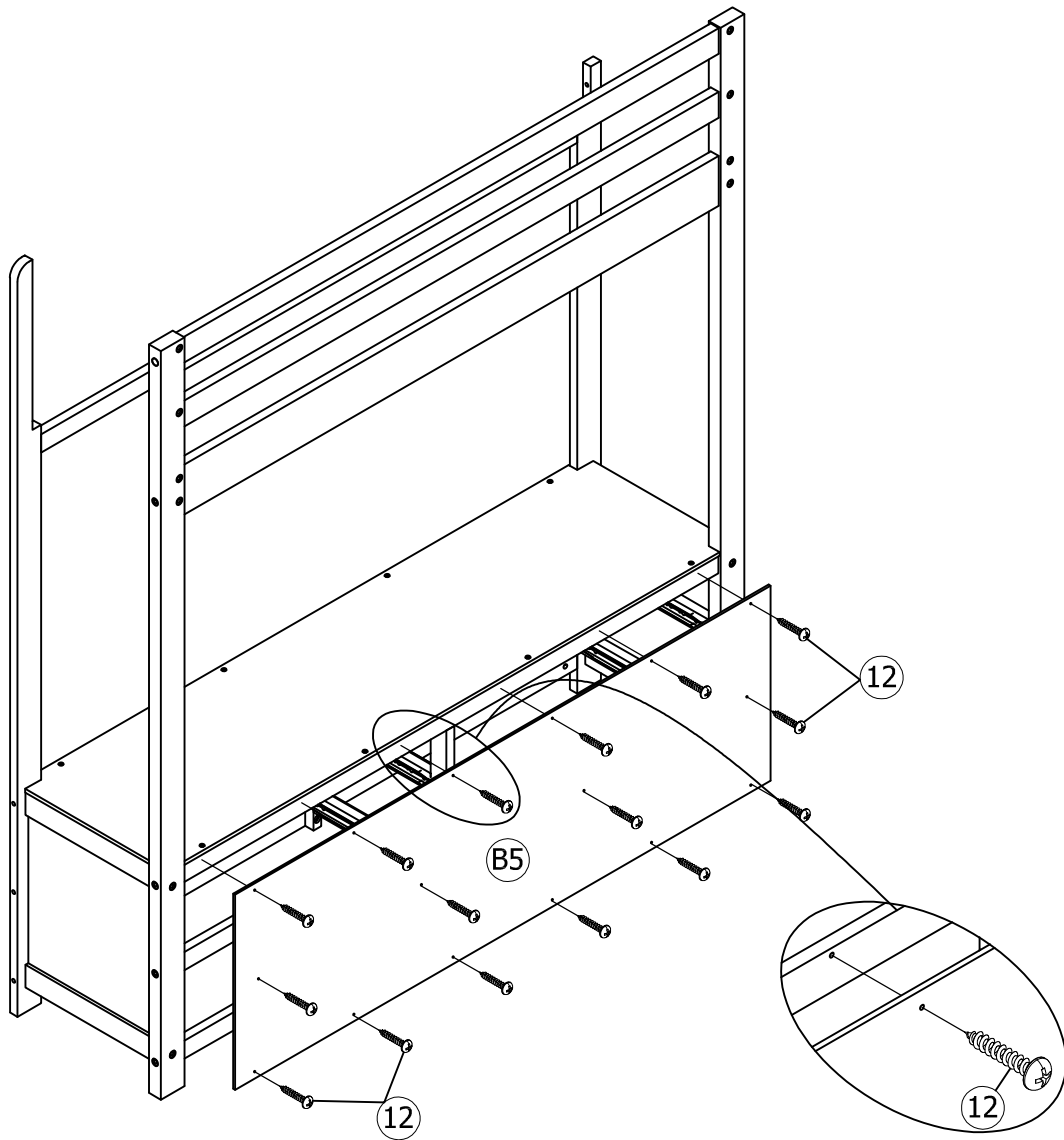


STEP17: Following below illustration.

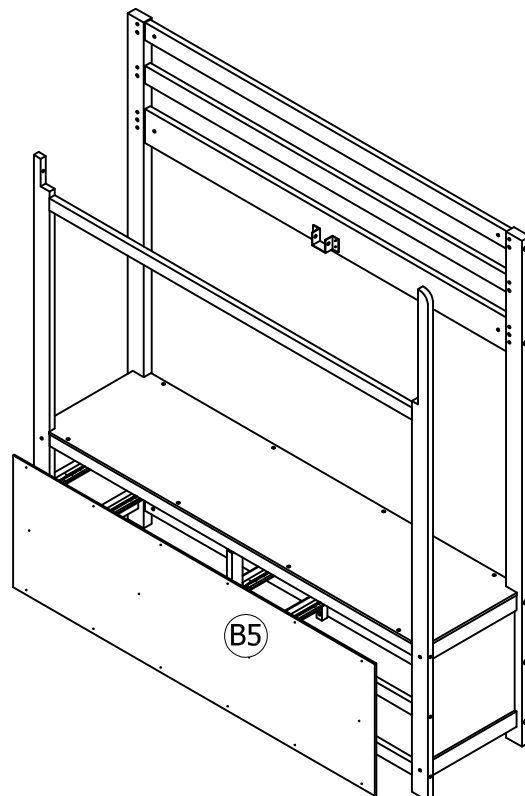
12



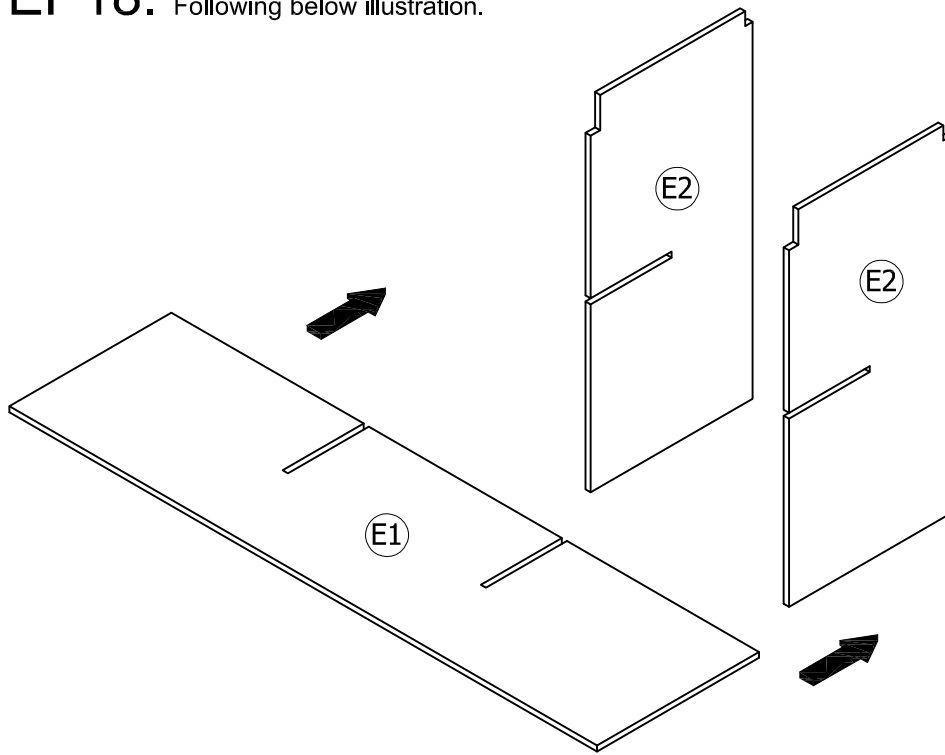
16(pcs)



OPTION 2

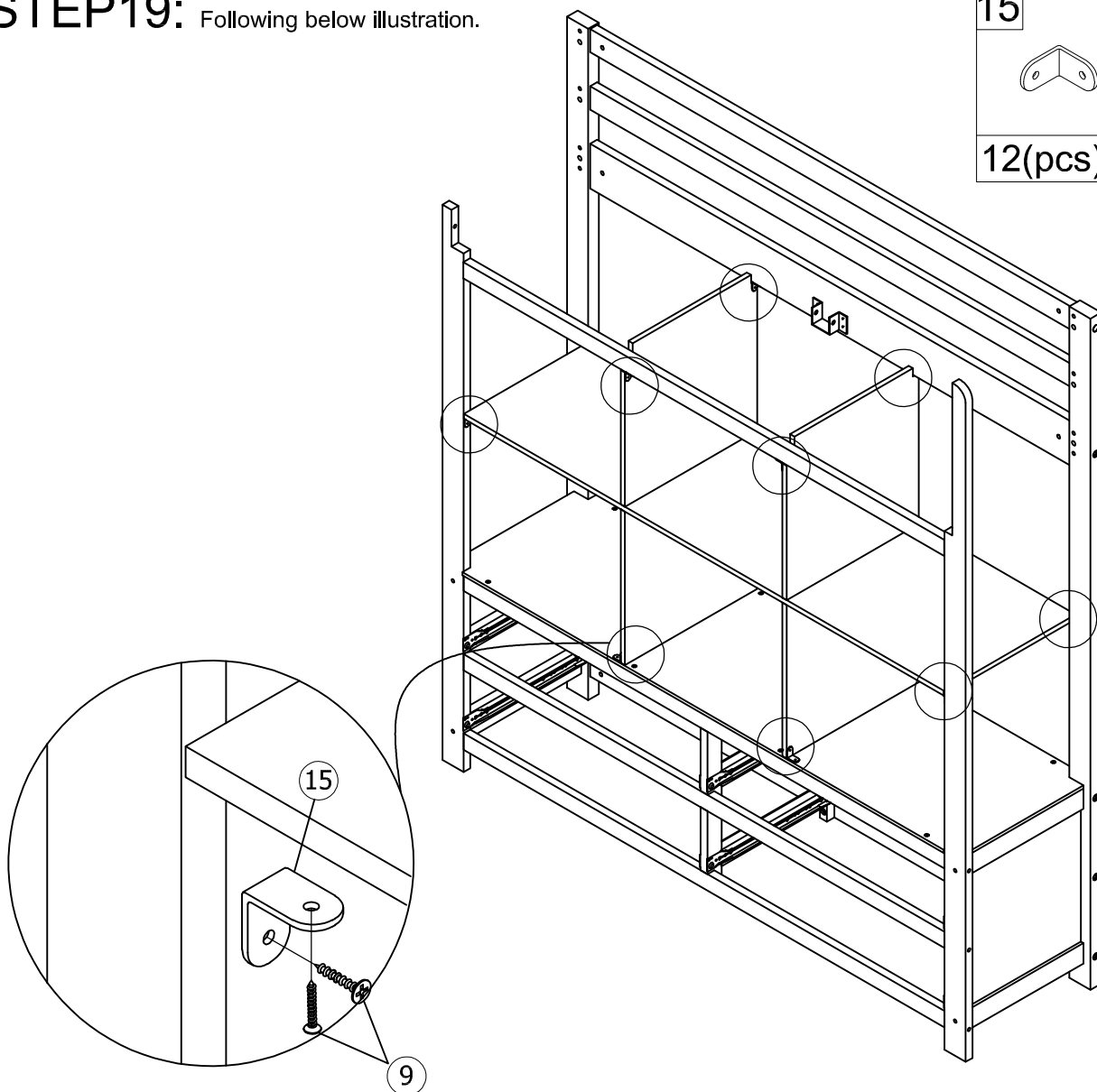


STEP18: Following below illustration.

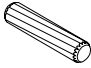

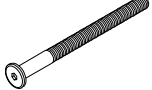


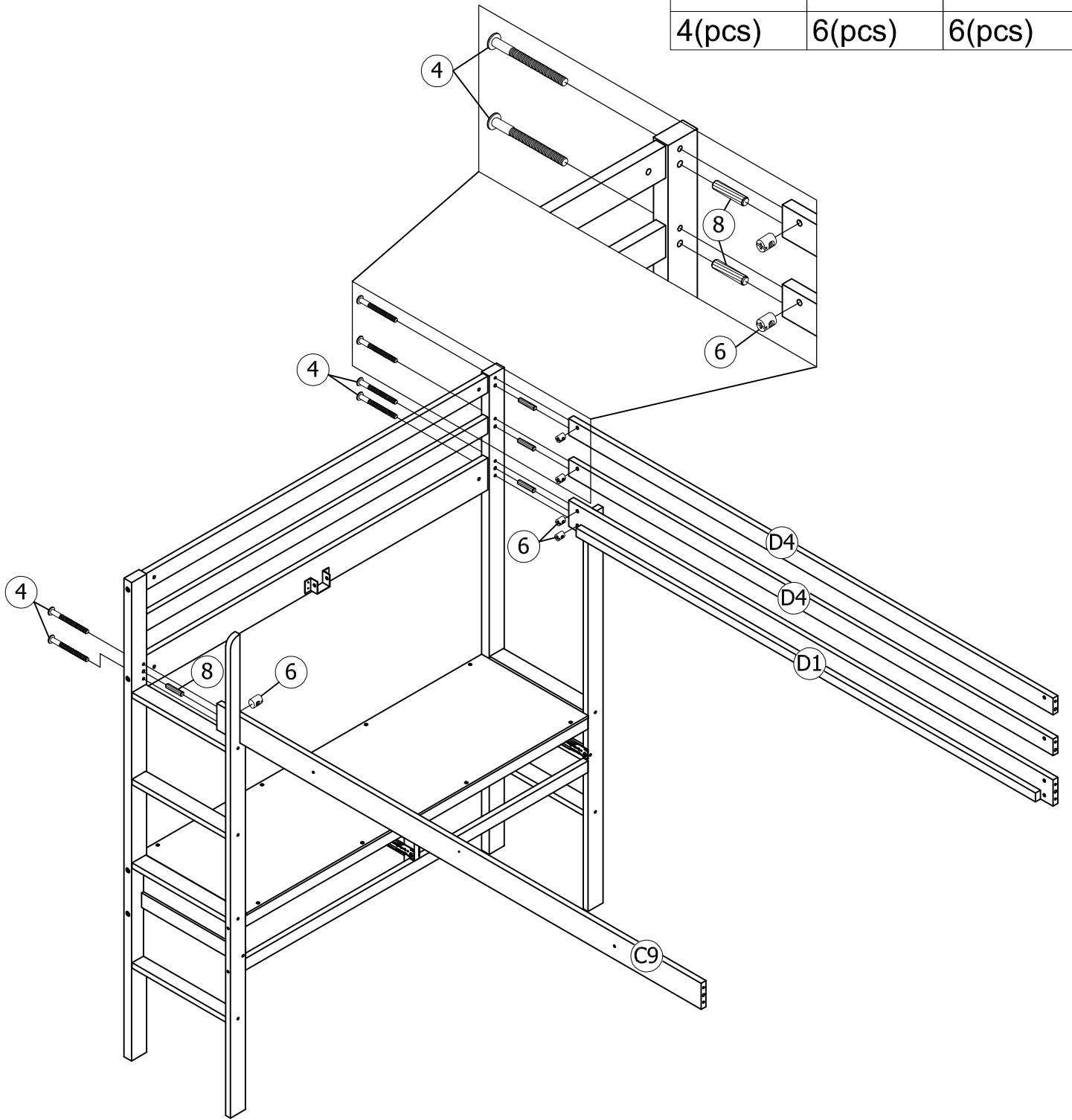
STEP19: Following below illustration.

15	9
12(pcs)	24(pcs)

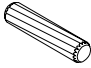

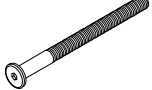


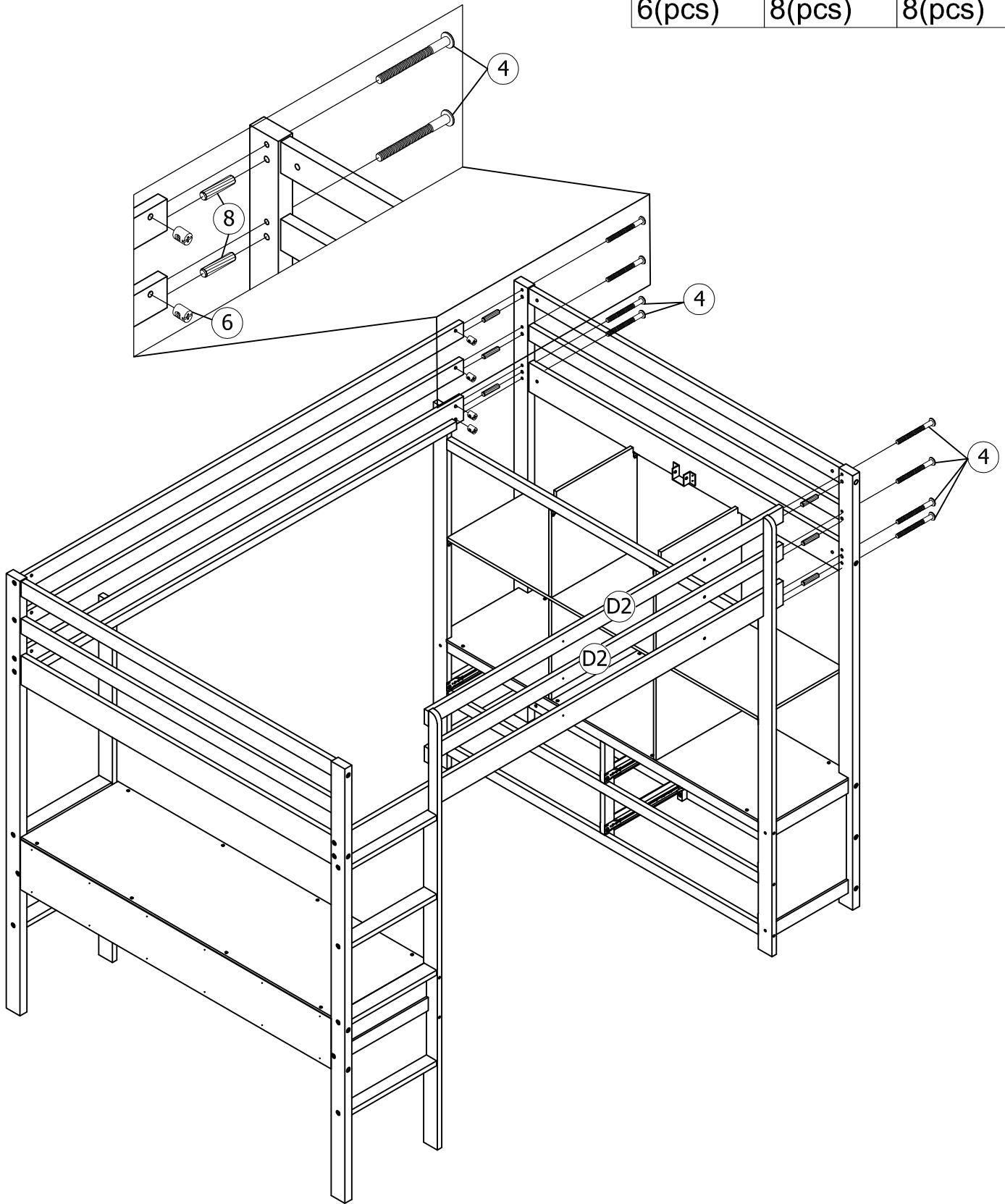
STEP20: Following below illustration.

8	6	4
		
4(pcs)	6(pcs)	6(pcs)



STEP21: Following below illustration.

8	6	4
		
6(pcs)	8(pcs)	8(pcs)

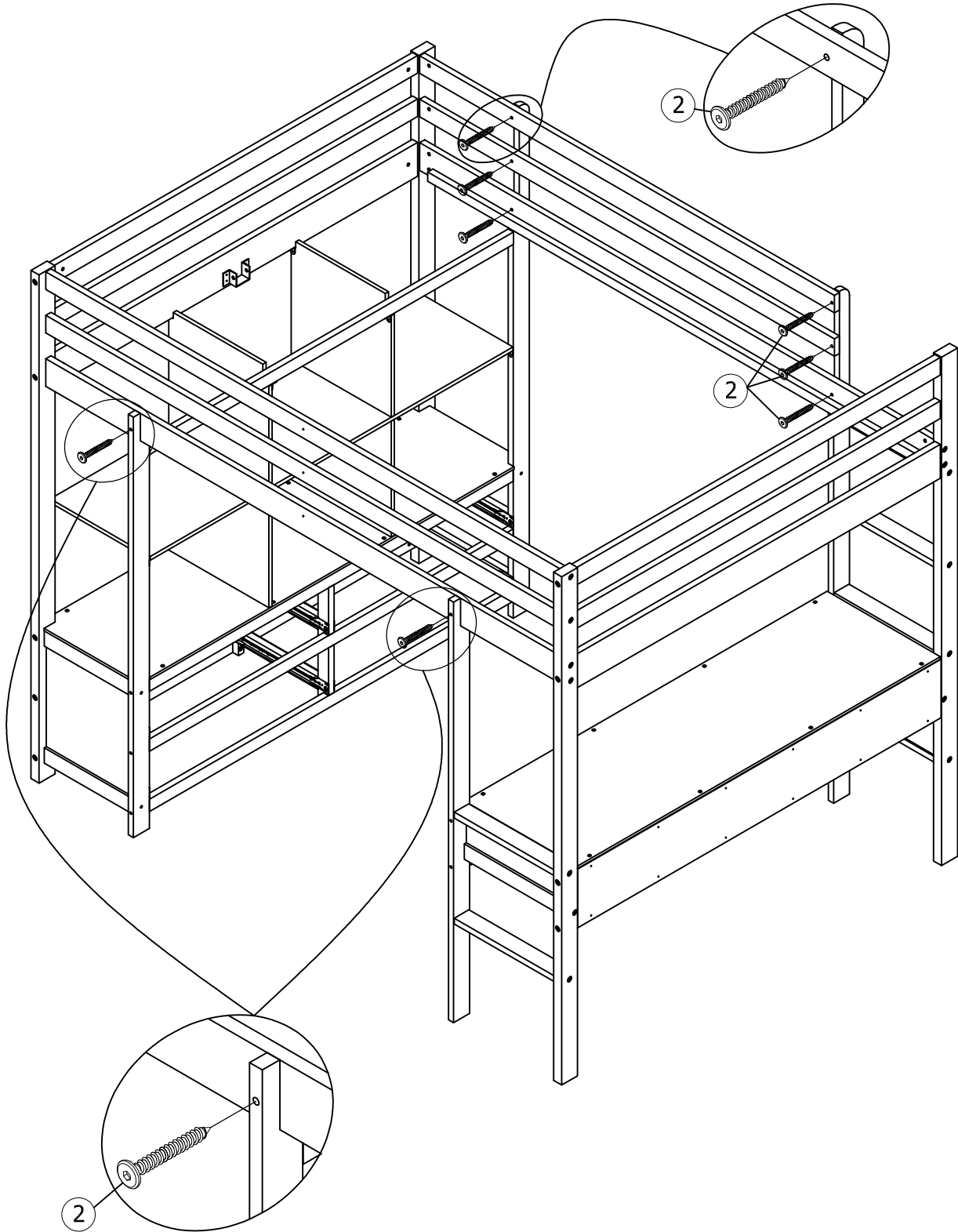


STEP22: Following below illustration.

2



8(pcs)

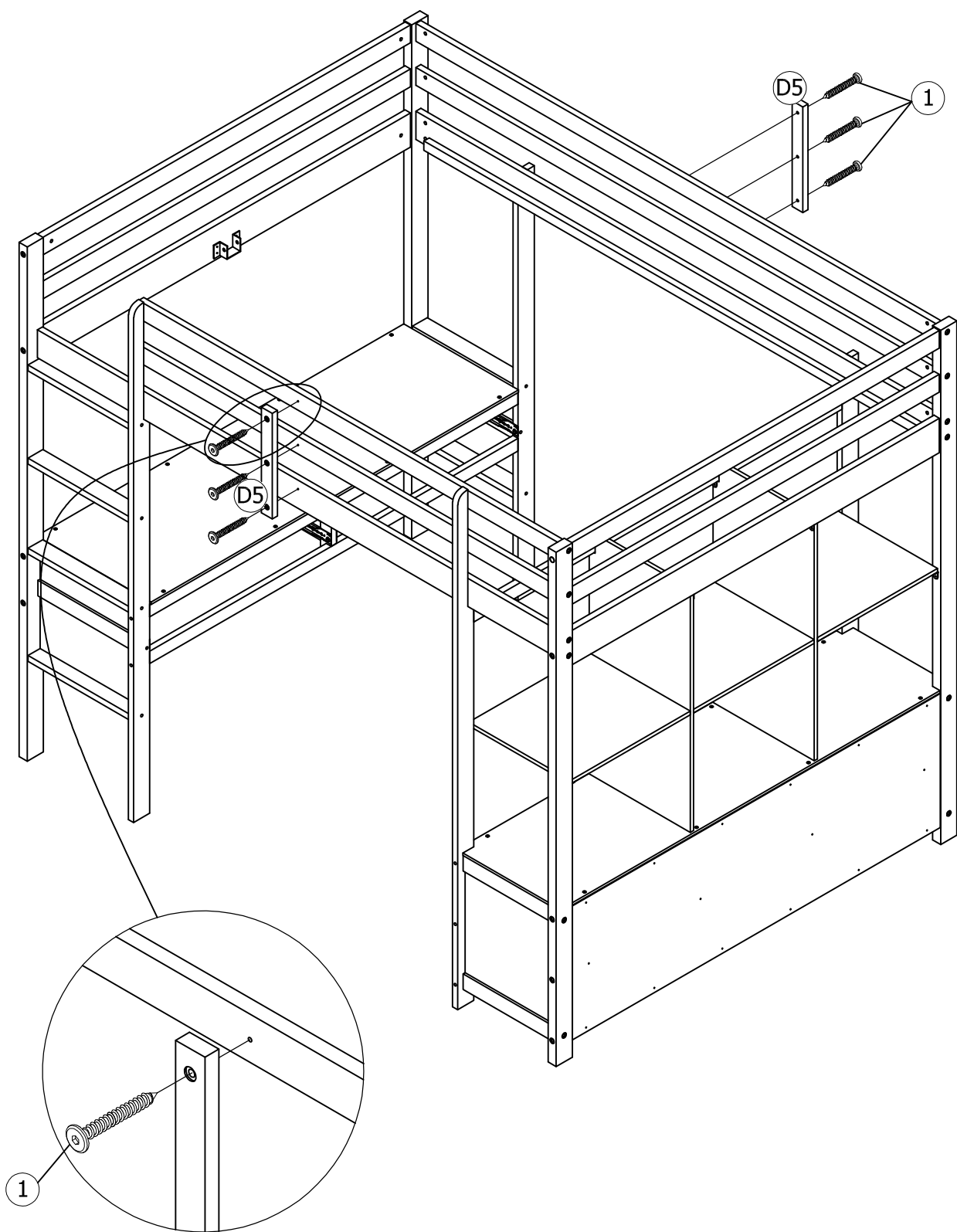


STEP23: Following below illustration.

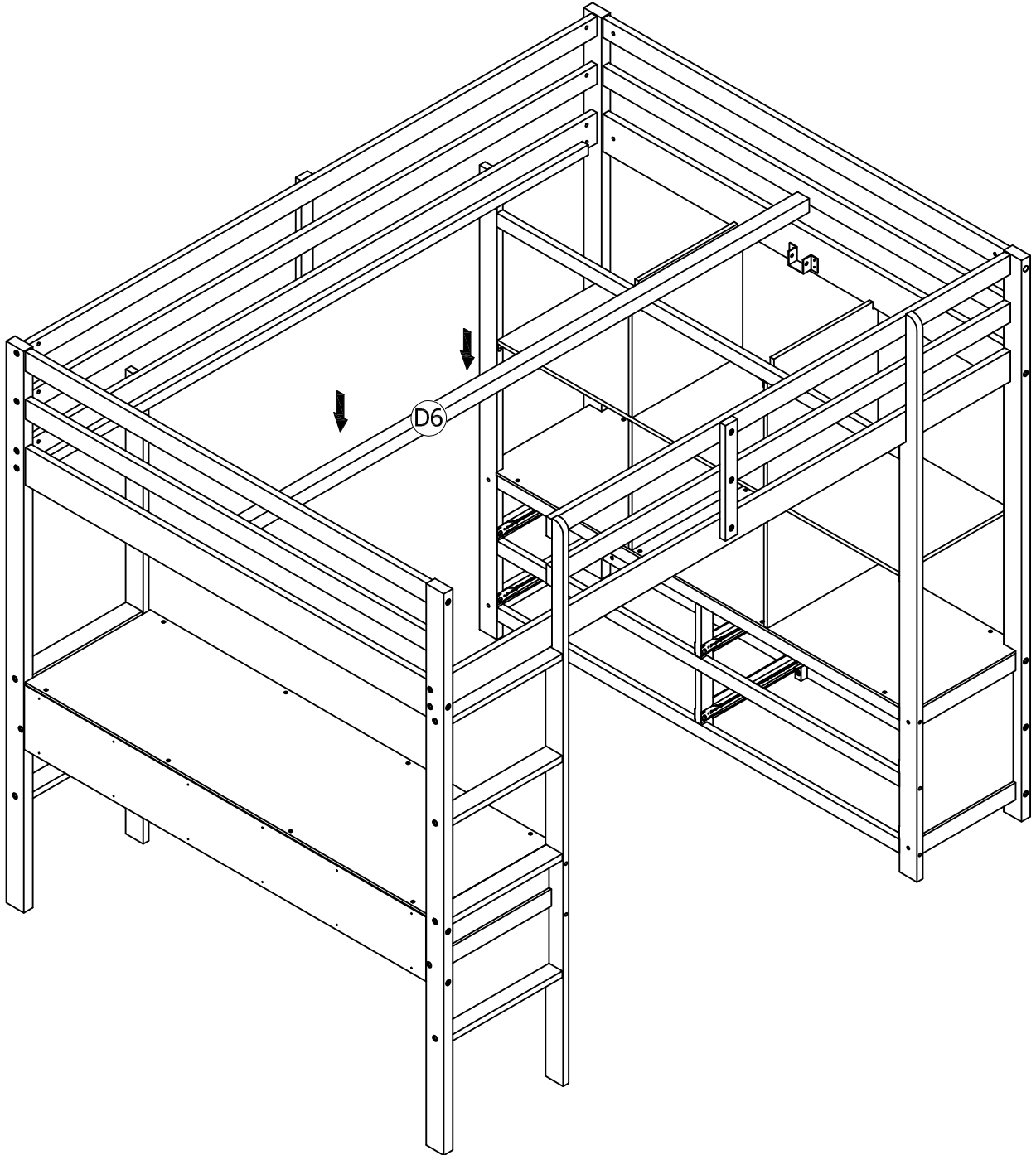
1



6(pcs)

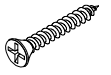


STEP24: Following below illustration.

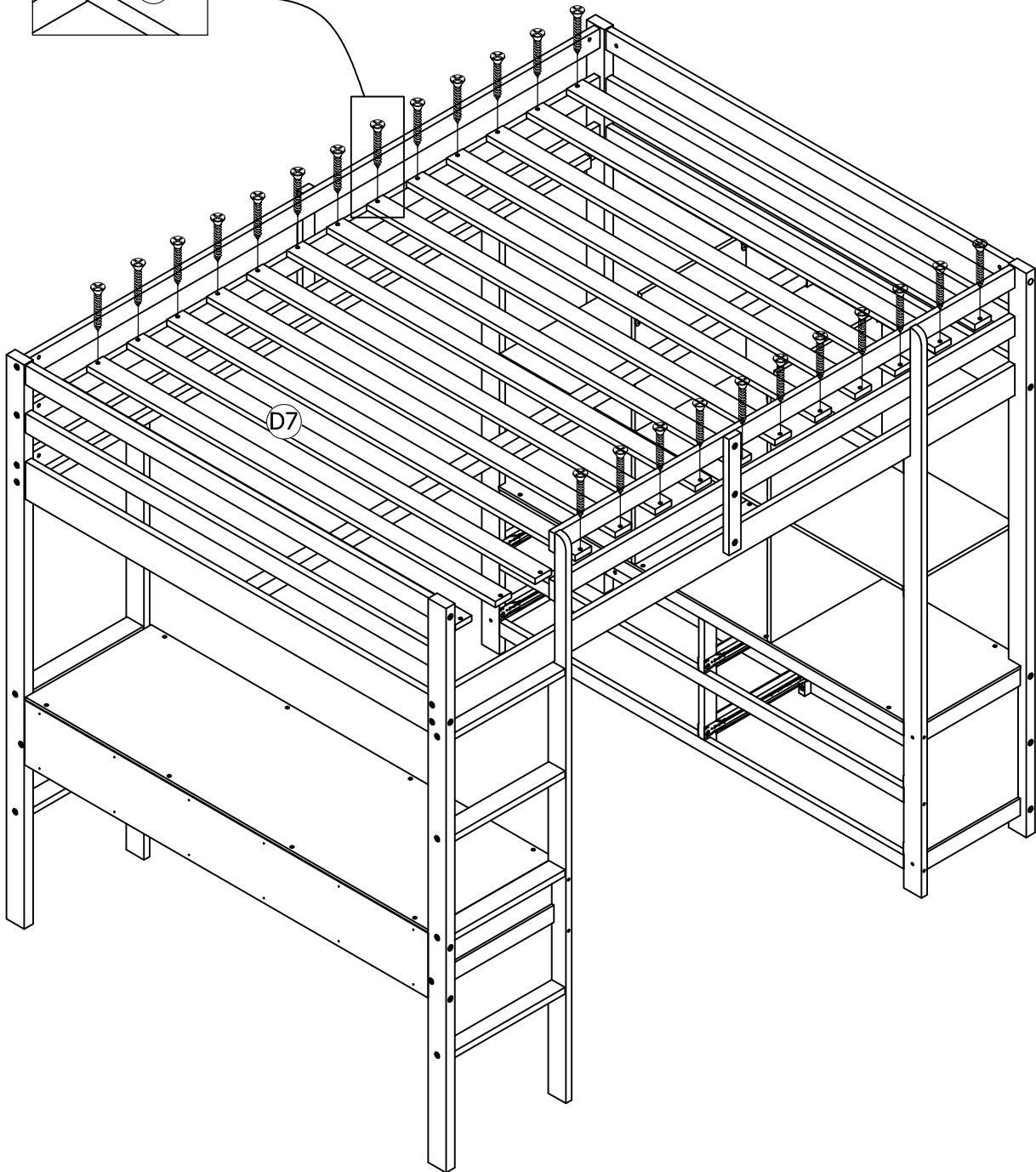
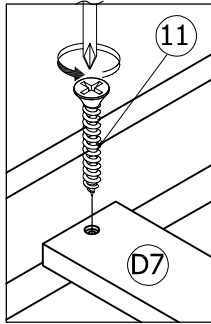


STEP25: Following below illustration.

11



28(pcs)

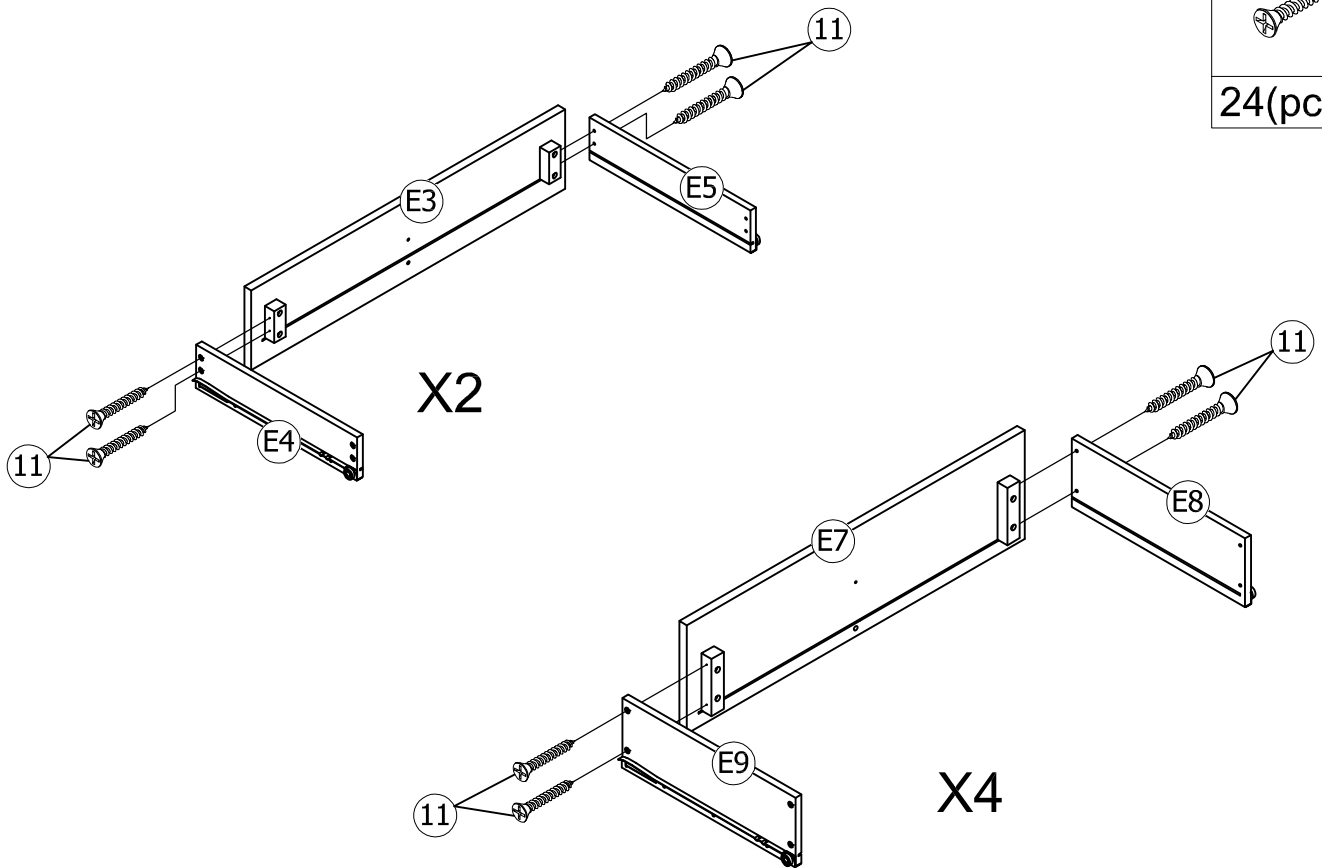


STEP26: Following below illustration.

11

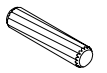


24(pcs)

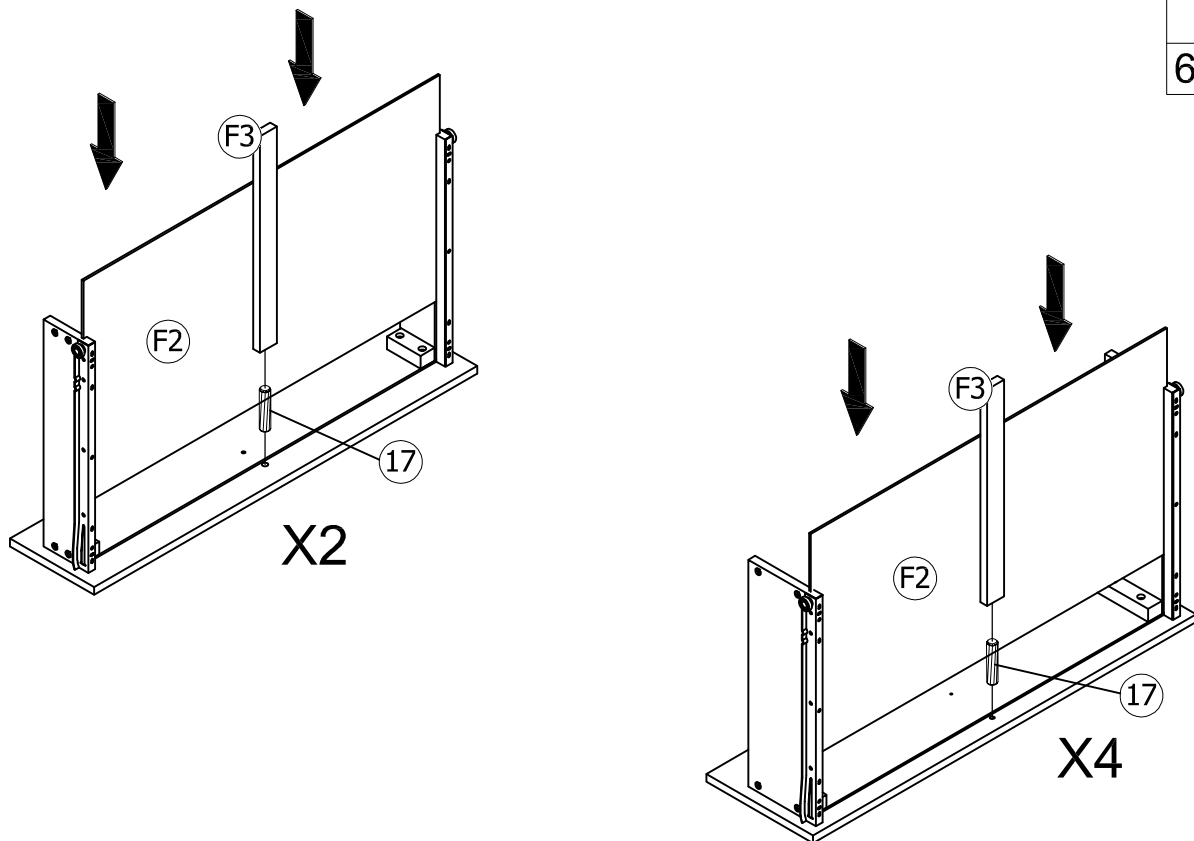


STEP27: Following below illustration.

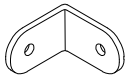
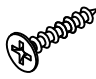

17

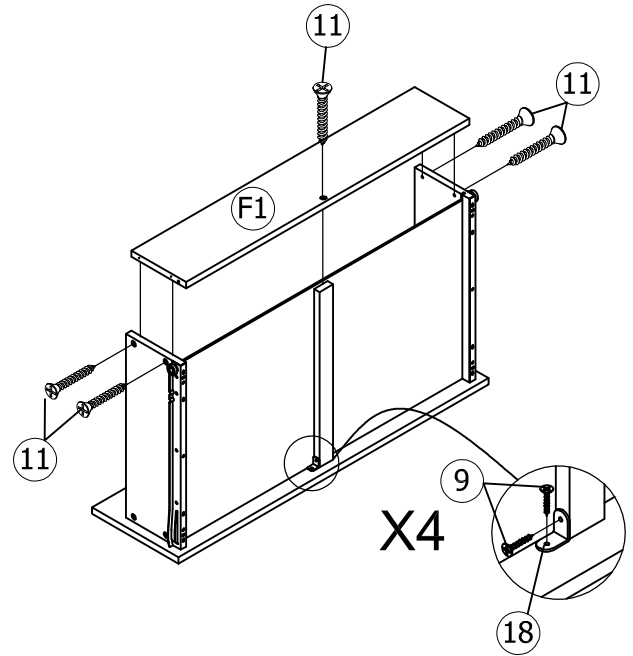
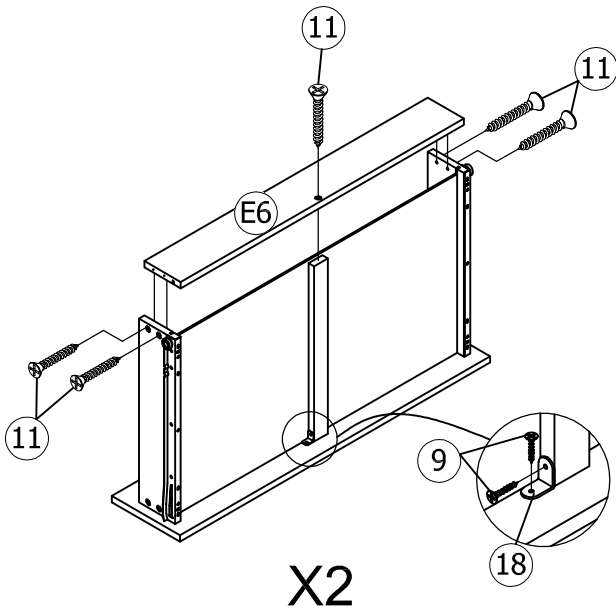


6(pcs)


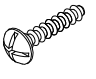


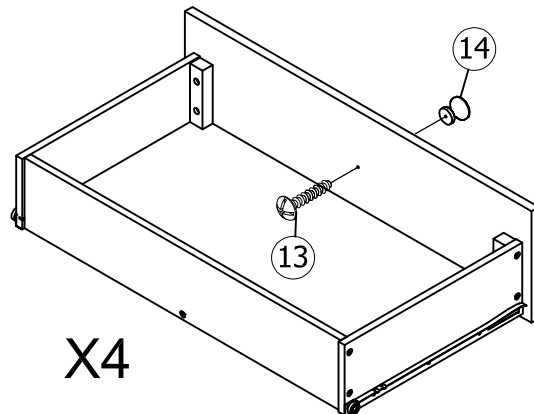
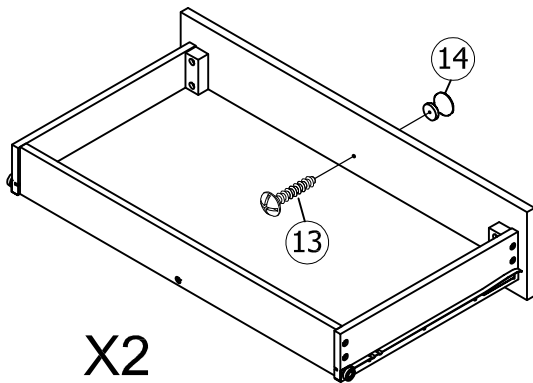
STEP28: Following below illustration.

18	9	11
		
6(pcs)	12(pcs)	30(pcs)



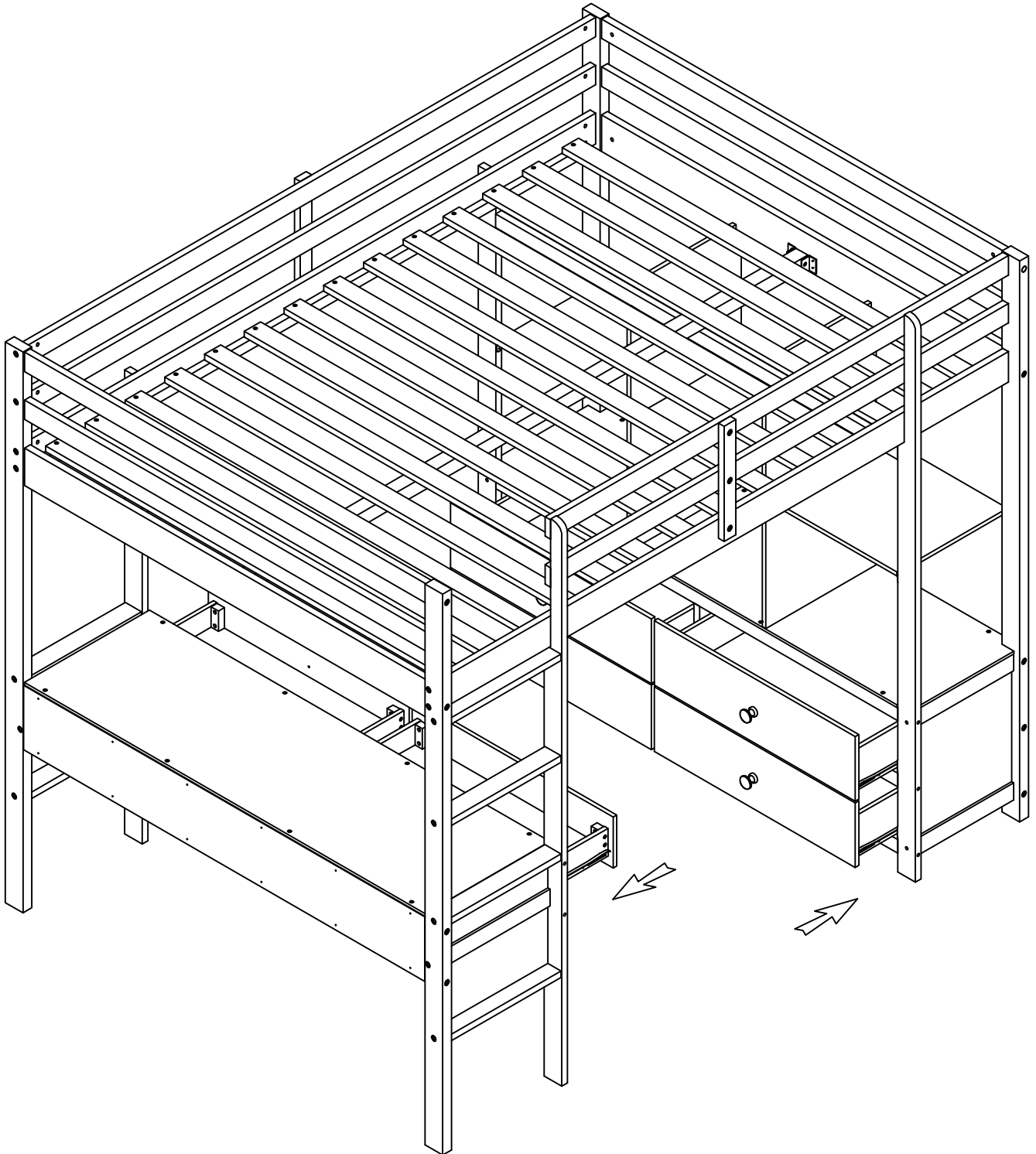
STEP29: Following below illustration.

14	13
	
6(pcs)	6(pcs)



STEP30:(OPTION1) Congratulations! You have completed the bed.

Push the 6 drawers into their positions.



STEP30:(OPTION2) Congratulations! You have completed the bed.

Push the 6 drawers into their positions.

