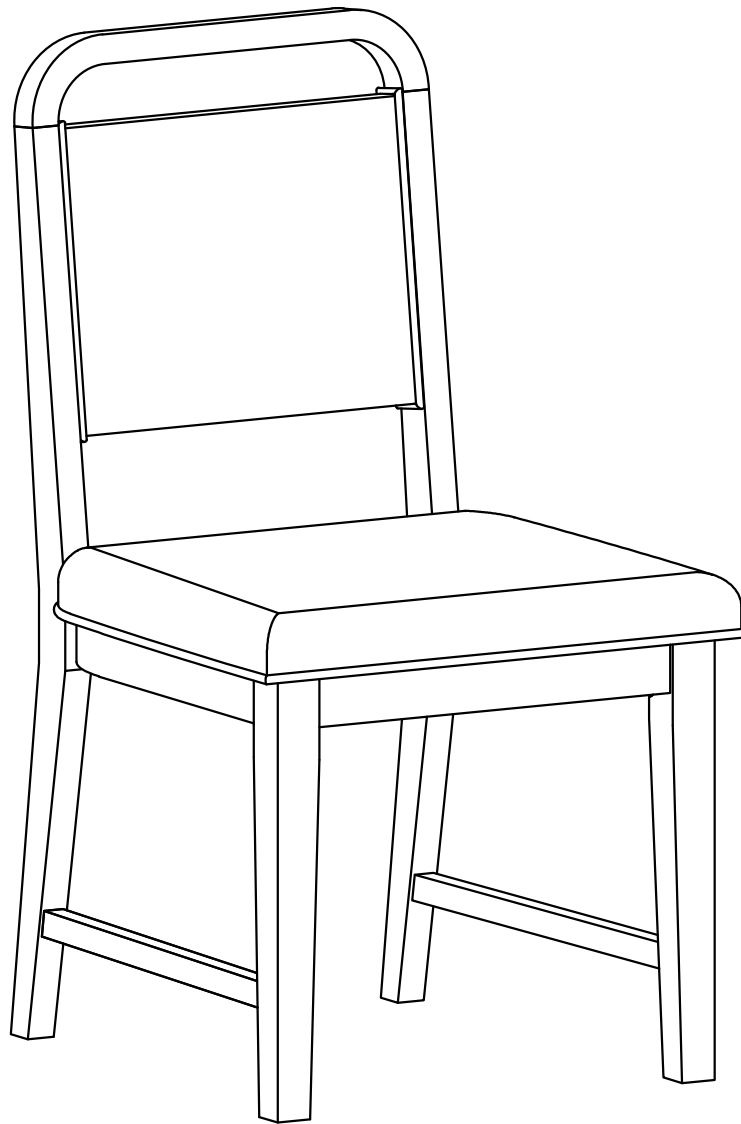


ASSEMBLY INSTRUCTION

ITEM NO.N715P196026

Dining Chair



ASSEMBLY INSTRUCTION

ITEM NO.N715P196026

Please read these instructions fully before starting assembly:

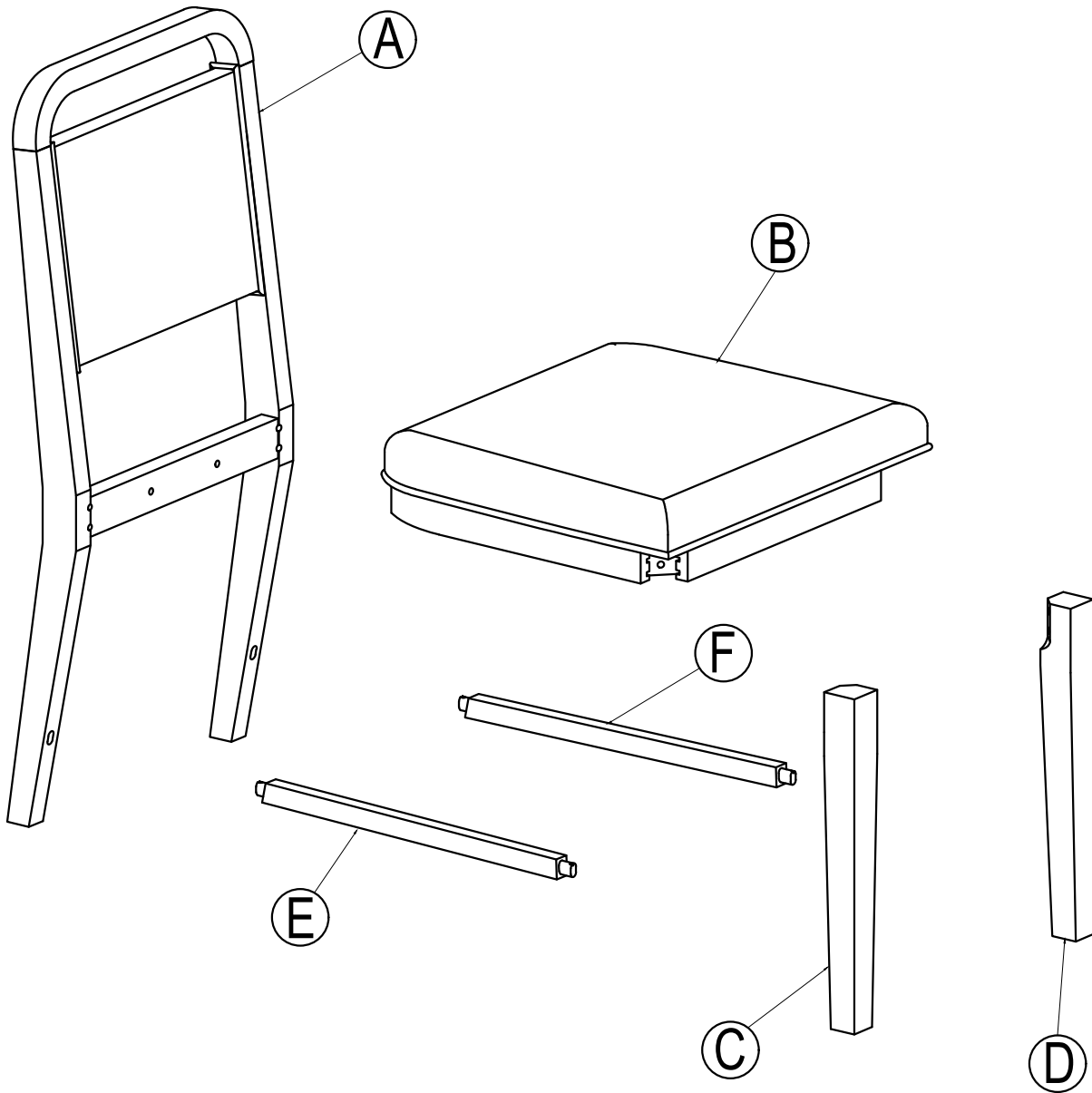
1. Place all wooden parts on a clean and smooth surface such as a rug or carpet to avoid scratching the parts.
2. Kindly follow the assembly instructions step by step.
3. Do not tighten all screws and bolts until the table is fully assembled.
4. Unscrew the protective plastique supports from the metal insert of the table legs before assembly.
5. Parts of the assembly will be easier with 2 people.

Care and maintenance:

Only clean using a damp cloth and mild detergent, do not use bleach or abrasive cleaners.

ASSEMBLY INSTRUCTION

ITEM NO.N715P196026

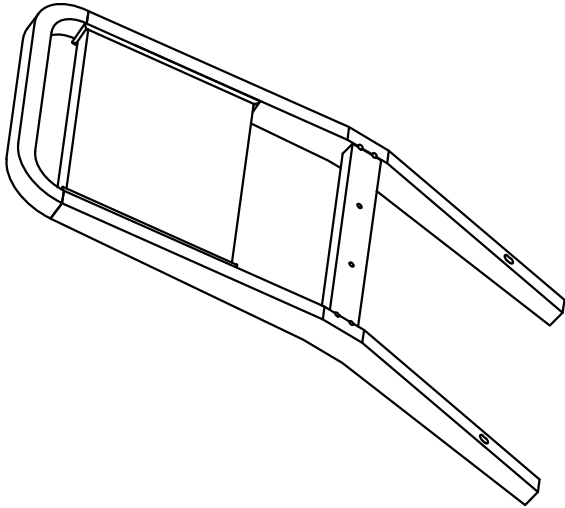


ASSEMBLY INSTRUCTION

ITEM NO.N715P196026

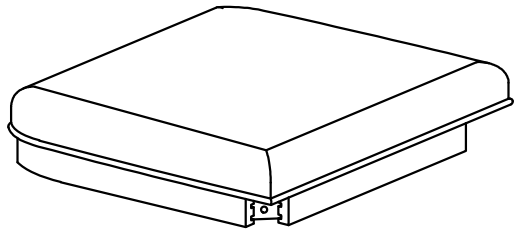
Part List

(A)



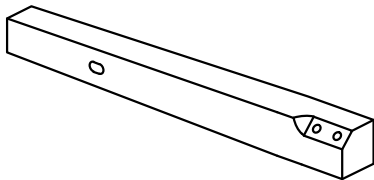
BACK FRAME (4 pcs)

(B)



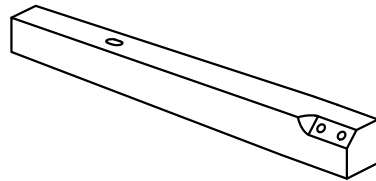
SEAT FRAME (4 pcs)

(C)



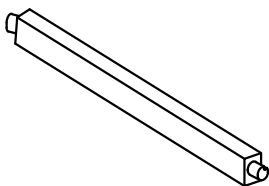
LEG LEFT (4 pcs)

(D)



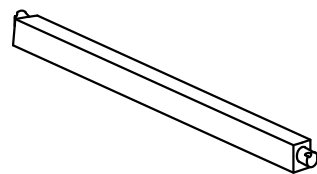
LEG RIGHT (4 pcs)

(E)



LEFT SIDE STRETCHER (4 pcs)

(F)



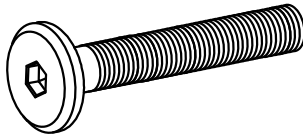
RIGHT SIDE STRETCHER (4 pcs)

ASSEMBLY INSTRUCTION

ITEM NO.N715P196026

Hardware List

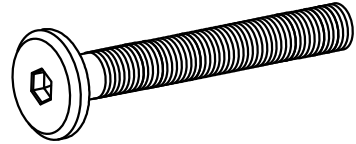
①



Ø 1/4" x 40 mm

BOLT (8 pcs)

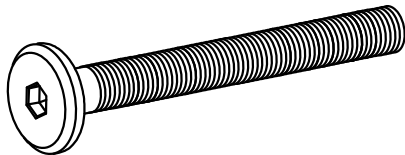
②



Ø 1/4" x 55 mm

BOLT (16 pcs)

③



Ø 1/4" x 75 mm

BOLT (16 pcs)

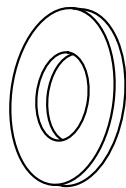
④



Ø5/16" x 13 mm

FLAT WASHER (40 pcs)

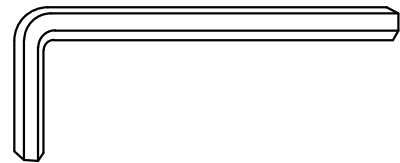
⑤



Ø5/16" x 19 mm

LOCK WASHER (40 pcs)

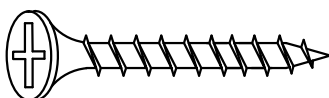
⑥



4 mm

ALLEN KEY (1 pc)

⑦



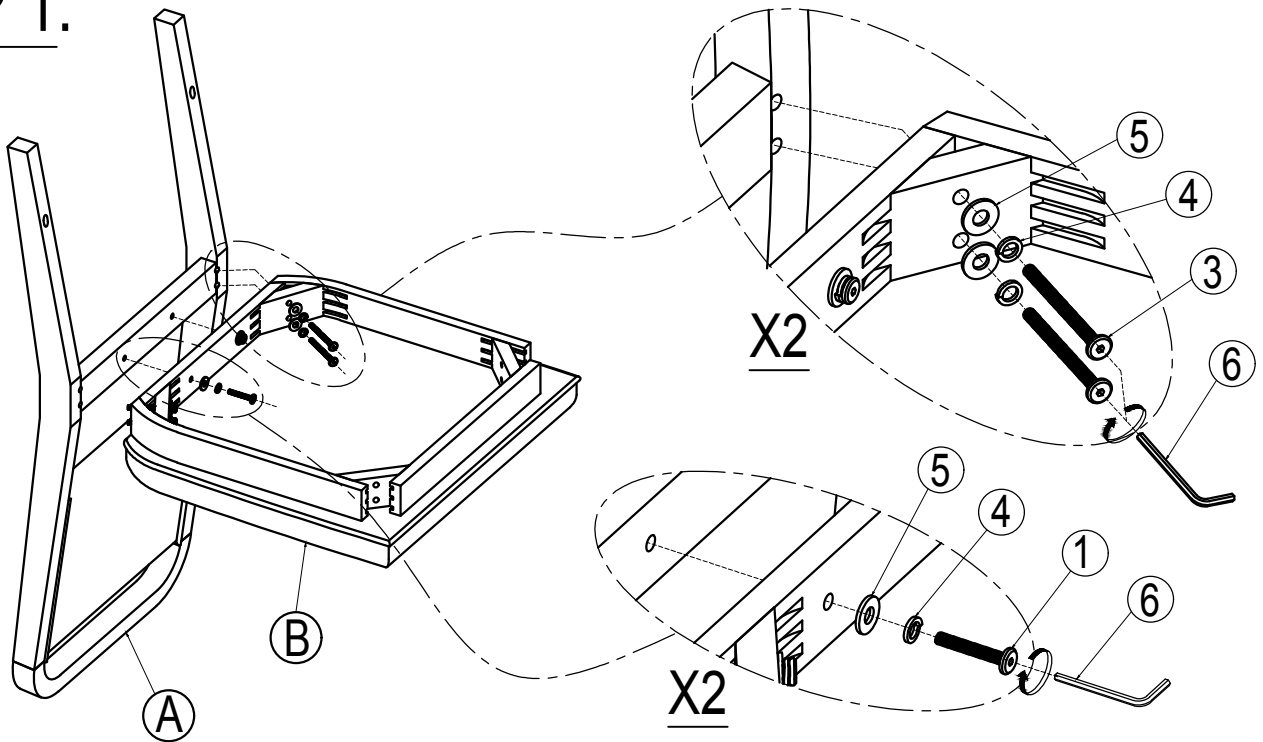
Ø4 x 38 mm






WOOD SCREWS (16 pcs)

ASSEMBLY INSTRUCTION

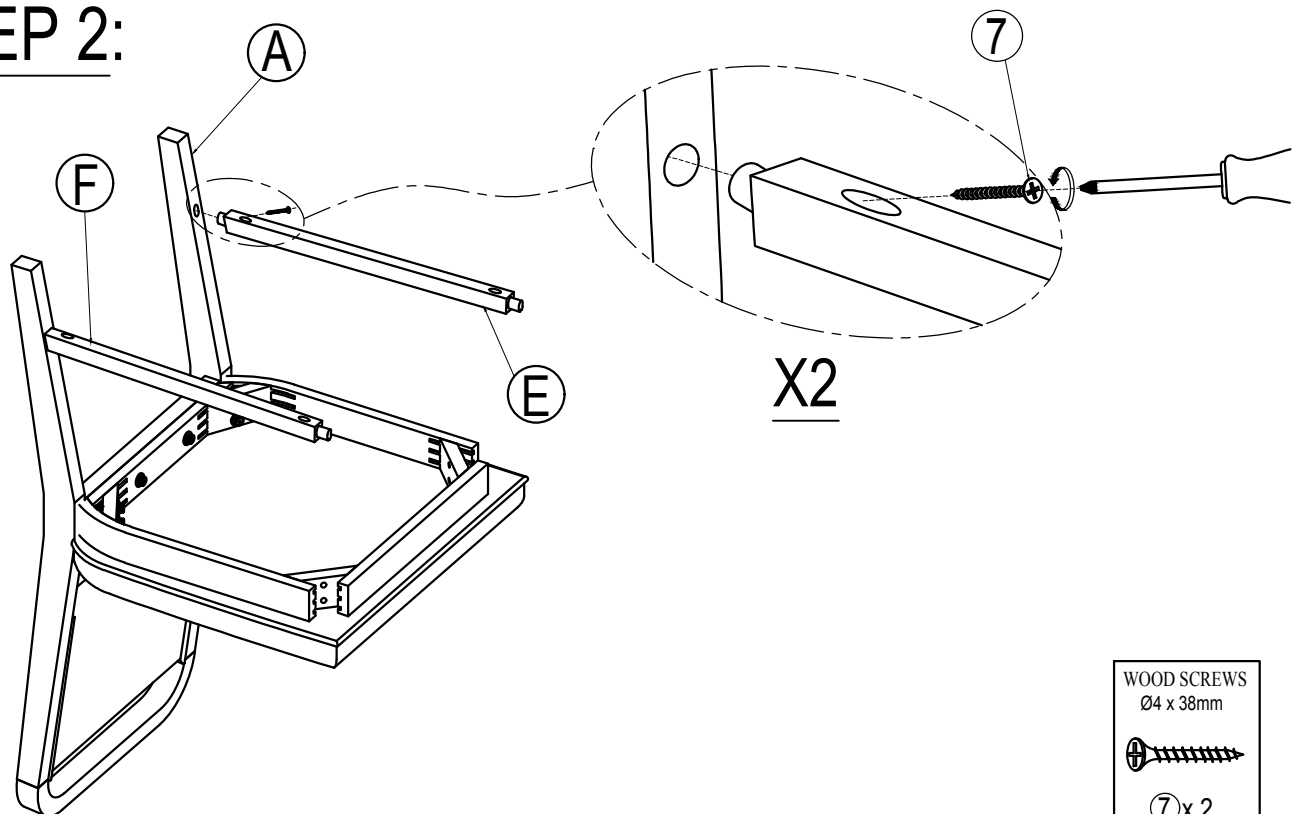
ITEM NO.N715P196026

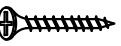
STEP 1:



BOLT Ø 1/4" x 40 mm	BOLT Ø 1/4" x 75 mm	FLAT WASHER Ø5/16" x 13 mm	LOCK WASHER Ø5/16" x 19mm	ALLEN KEY 4 mm
				
①x2	③x4	④x6	⑤x6	⑥x1

STEP 2:

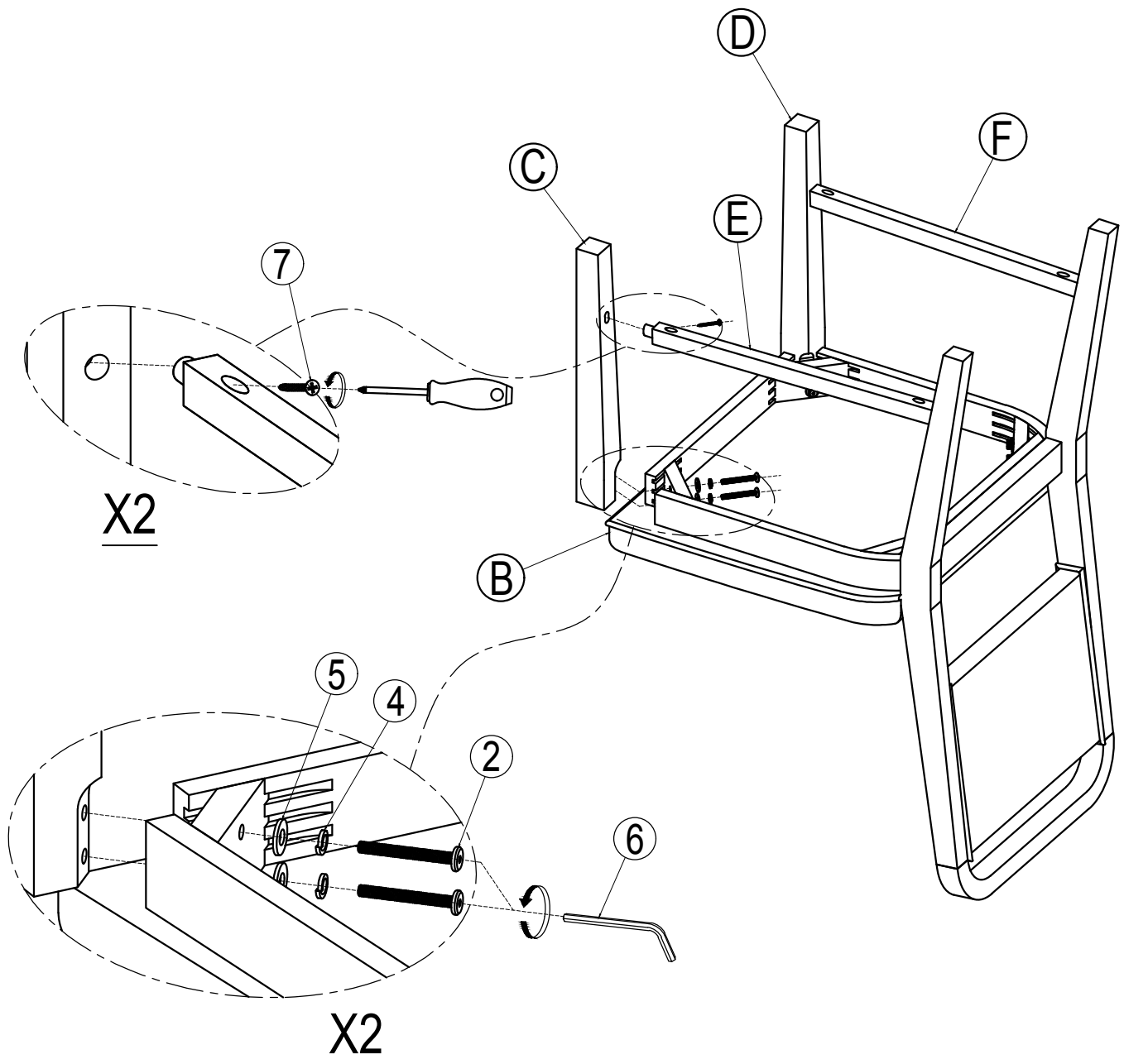




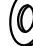
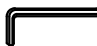
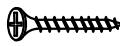
WOOD SCREWS Ø4 x 38mm

⑦x2

ASSEMBLY INSTRUCTION

ITEM NO.N715P196026

STEP 3:



BOLT Ø 1/4" x 55 mm	FLAT WASHER Ø5/16" x 13 mm	LOCK WASHER Ø5/16" x 19mm	ALLEN KEY 4 mm	WOOD SCREWS Ø4 x 38mm
				
② x 4	④ x 4	⑤ x 4	⑥ x 1	⑦ x 2

ASSEMBLY INSTRUCTION

ITEM NO.N715P196026

COMPLETE

