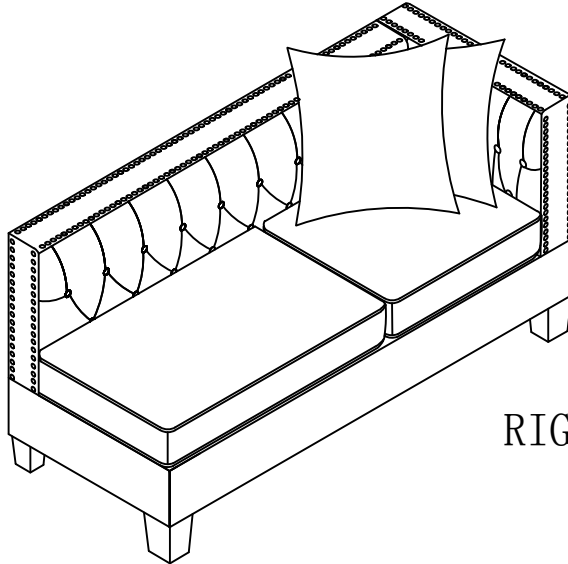


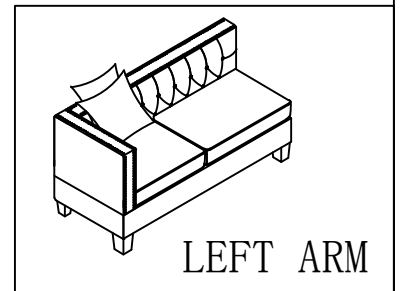
NOTICE BEFORE ASSEMBLY

ASSEMBLY INSTRUCTIONS

ITEM NO.: F8941, F8943



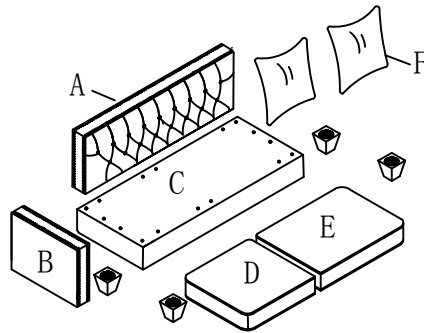
RIGHT ARM



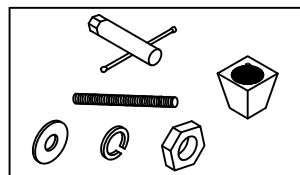
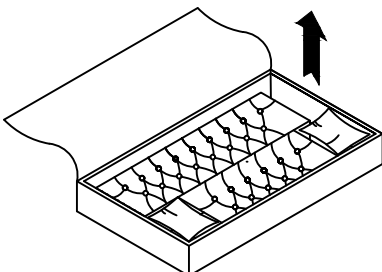
LEFT ARM

PART LIST

Cushions, pillows and legs included



1	X 5	2	X 5	3	X 5	4	X 2
5	X 5	6	X 1	7	X 4		



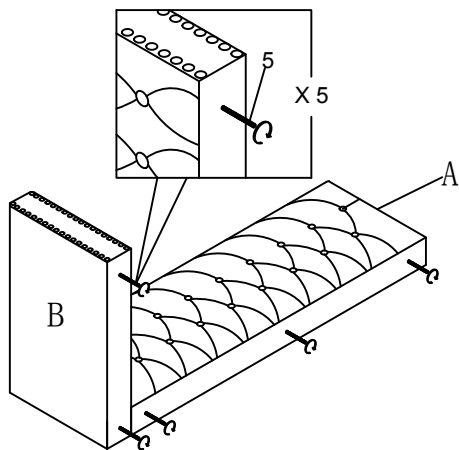
Open up the Velcro of Non-Woven Fabric cover on the bottom of the seat frame to remove seat cushions, back cushions and pillows.

*** PLEASE REMOVE ALL PARTS FROM SEAT FRAMES AND BACKS BEFORE ASSEMBLY***

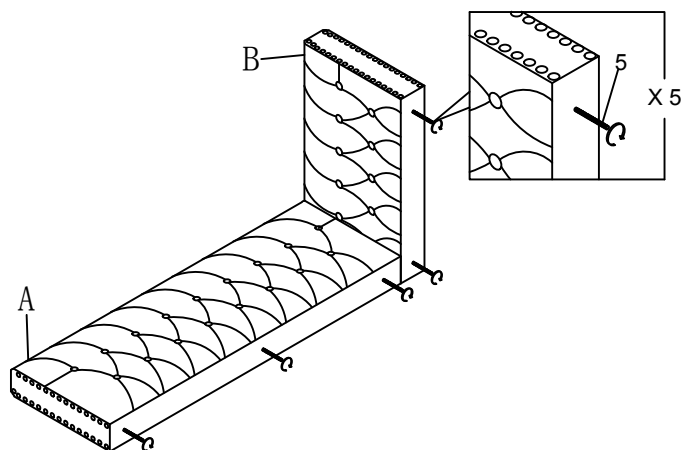
LOVESEAT ASSEMBLY INSTRUCTION

STEP 1- INSERT THREADED RODS INTO SEAT BACKS & LEFT/RIGHT ARM

Shorter end of the threaded screw going into the back panel

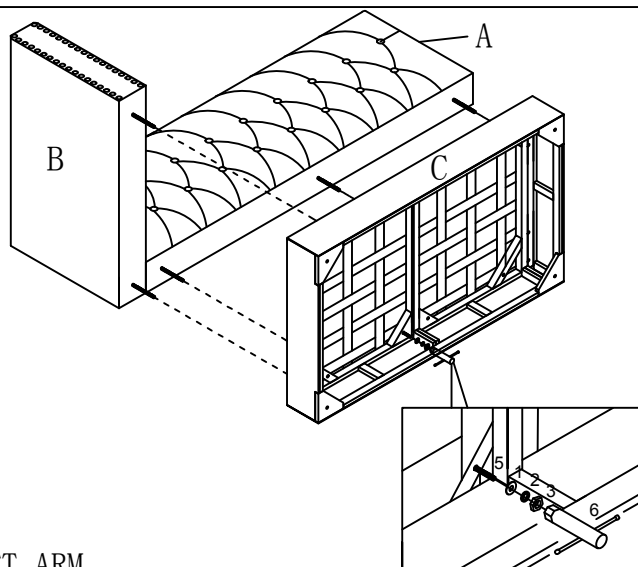


LEFT ARM

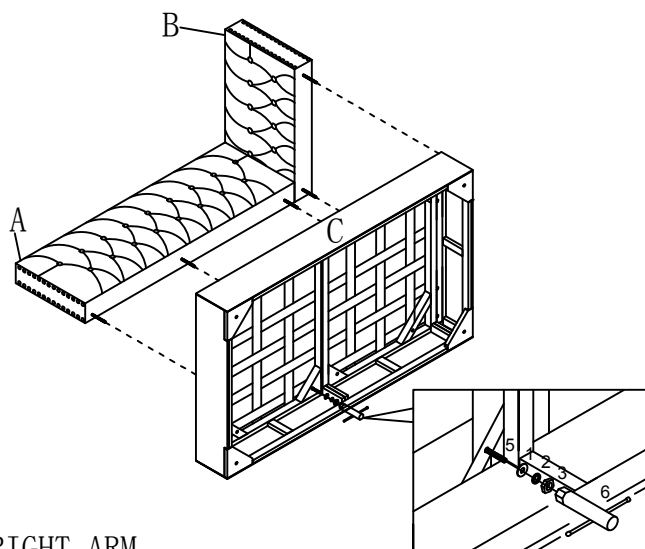


RIGHT ARM

STEP 2- MOUNT SEAT BACK & LEFT/RIGHT ARM INTO THE SEAT FRAME.

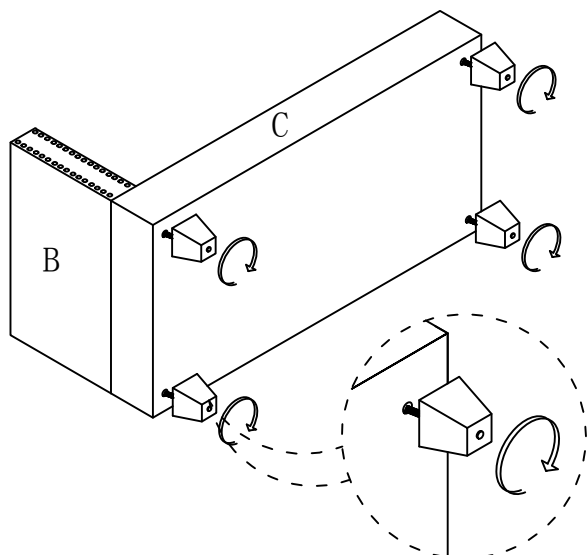


LEFT ARM

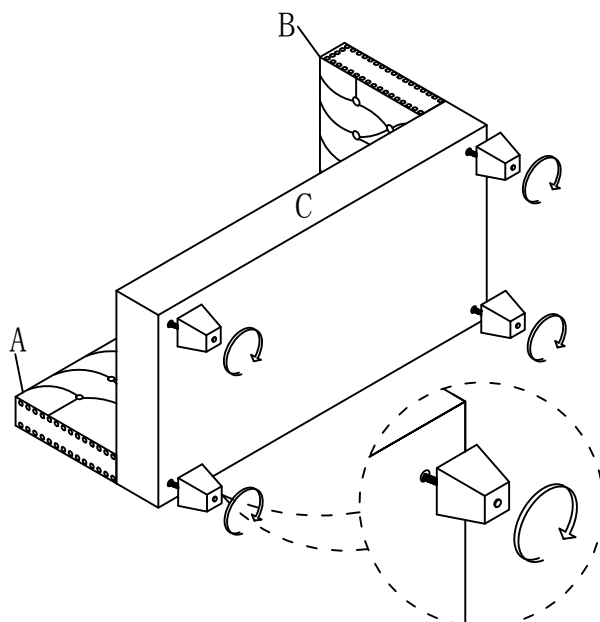


RIGHT ARM

STEP 3- PUT BACK THE FABRIC COVER AND INSERT THE LEGS.



LEFT ARM

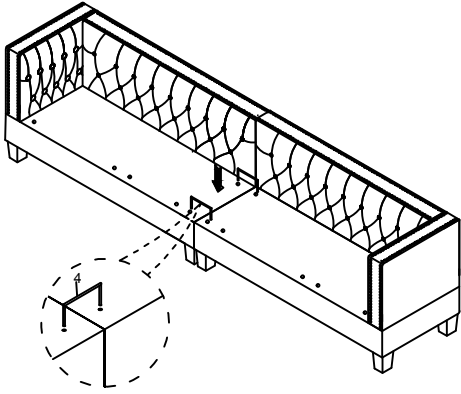


RIGHT ARM

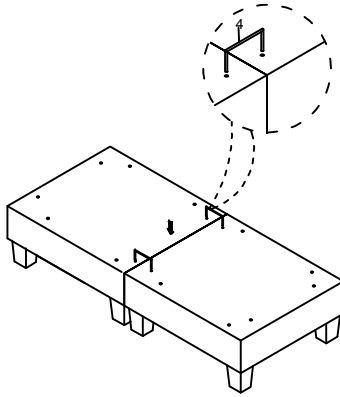
SECTIONAL SOFA

SECTIONAL SOFA CAN BE ATTACHED TOGETHER BY "n" SHAPE HANGER AS THE DRAWINGS SHOWN BELOW.

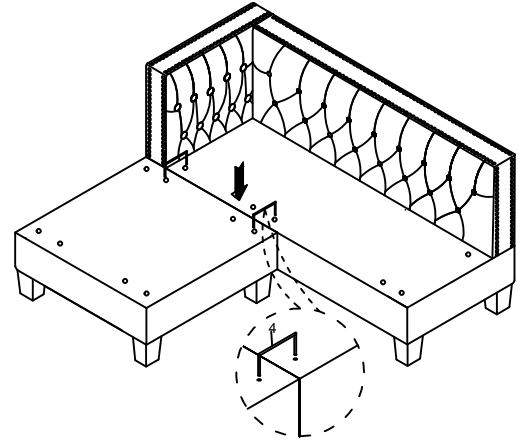
CHAISE+CHAISE



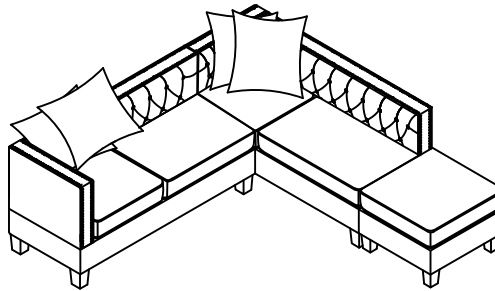
OTTOMAN+OTTOMAN



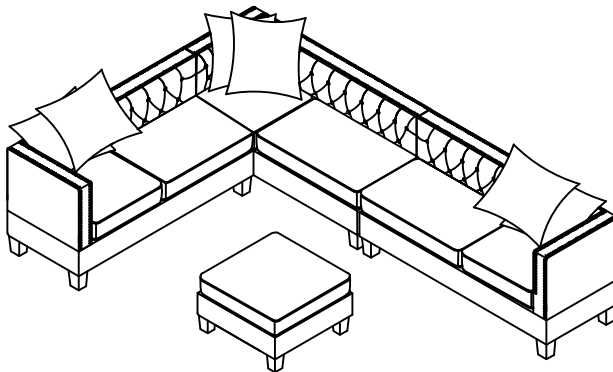
CHAISE+OTTOMAN



F8941*2+F8942*1
F8943*2+F8944*1



F8941*3+F8942*1
F8943*3+F8944*1



F8941*2+F8942*2
F8943*2+F8944*2

