

MX19210-18GD-P
OPERATIONS MANUAL



4MODERN
4HOME

Assembly & Installation Instructions

Dear Customer:

Thank you for your business!

If you have any questions or problems, please send us an email to support@4modernhome.com or call us at 469-312-6428. We will do everything possible to make you completely satisfied with your purchase.

For video instruction, please search "MX19210-18BK-P" on Youtube.com

Product reviews help future customers to make their purchase decision. You are encouraged to share your experience by leaving a short product review on the platform where you bought this product.

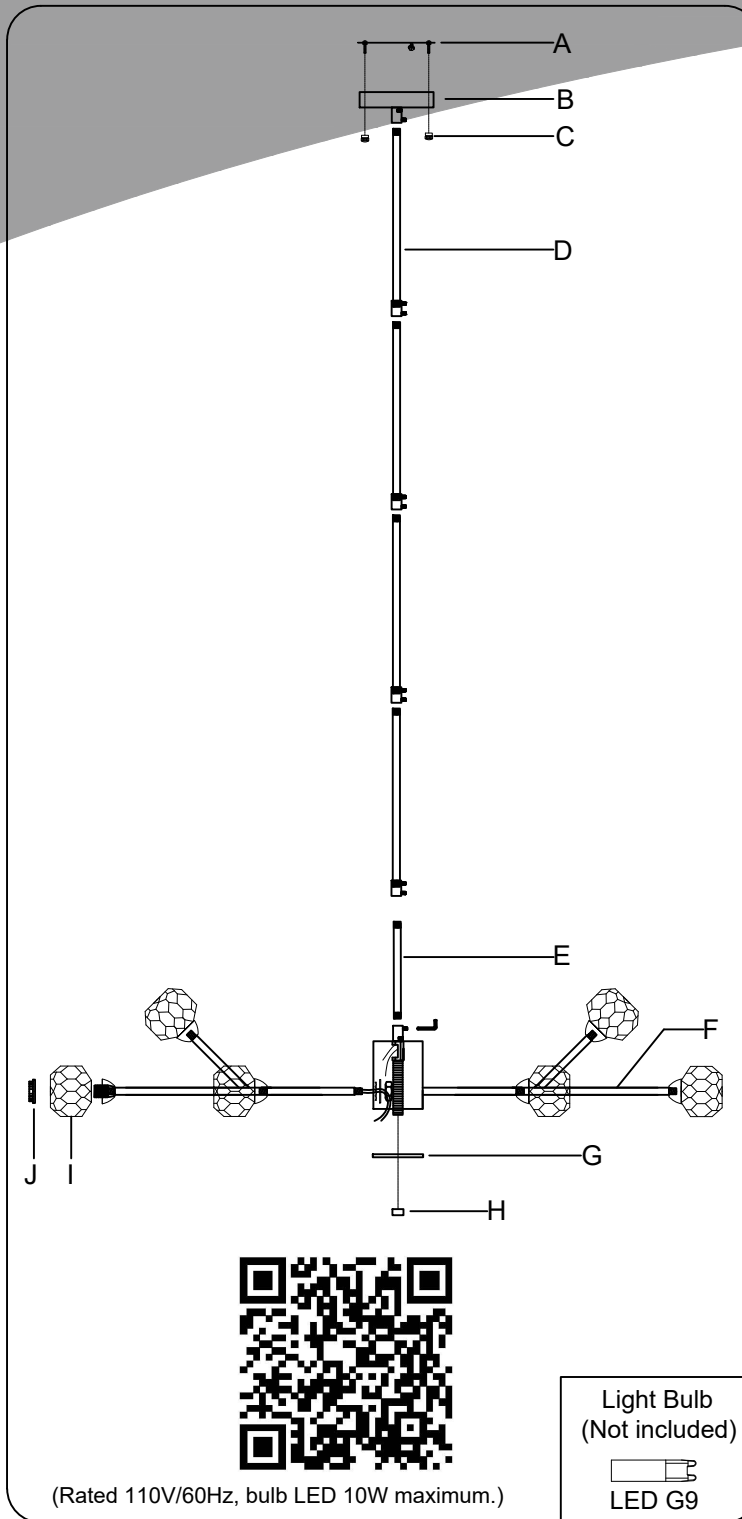
Thank you!

4ModernHome

Warning: If any special control devices are used with this fixture, follow the instructions carefully to assure full compliance with N.E.C.requirements. If there are any questions, contact a qualified electric contractor.

Warning: California Residents Proposition 65 This product contains lead, a chemical known to the state of California to cause cancer and birth defects or other reproductive harm. Do not place the product in your mouth. Wash your hands after handling this product.

Caution: It is highly recommended to get an electrician to install this light. Please make sure to turn the electricity off at the main circuit breaker before beginning installation. All glass is fragile. Use care when handling glass component(s) and/or lamp(s).



WIRE CONNECTION DIAGRAM

Wires meeting safety standards are required to connect the electrical circuit.

CAUTION: Risk of fire

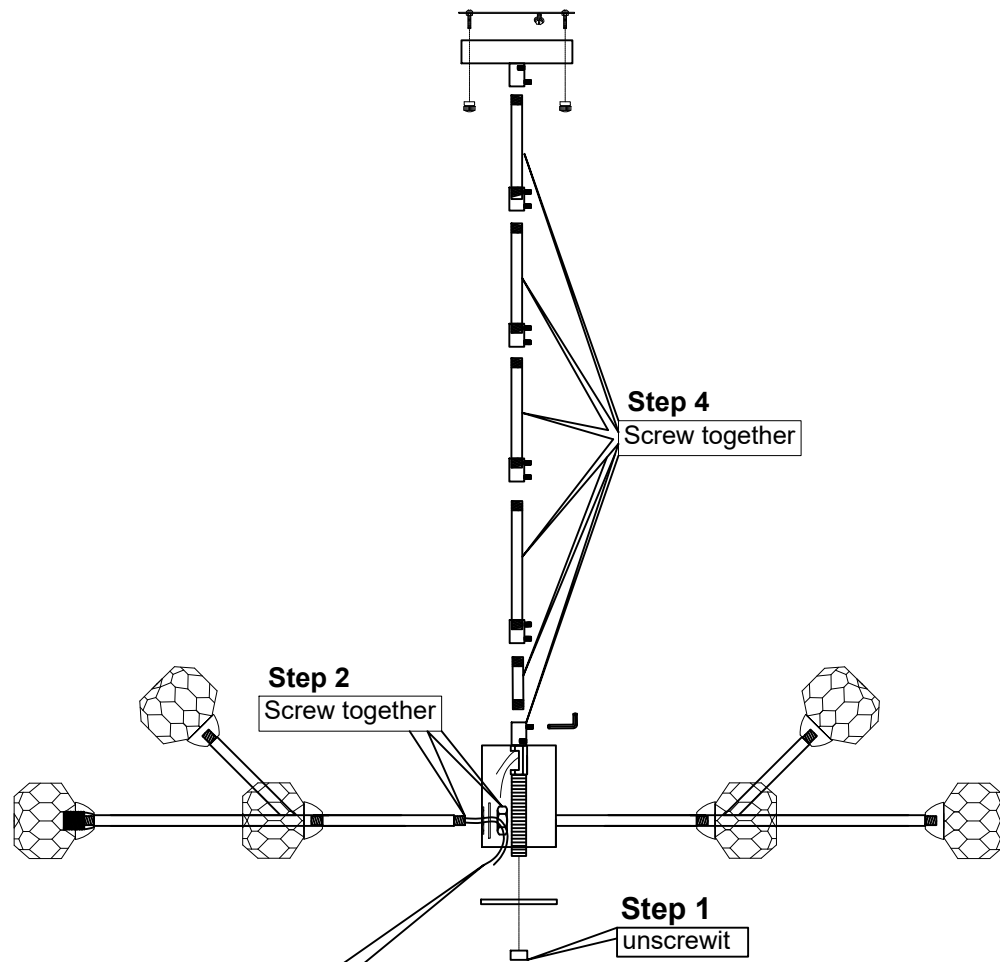


Please read all instructions carefully. Before you proceed to install, make sure that the power supply is turned off and remains off until installation is completed.

PARTS INCLUDED

| Code | Part Description | QTY |
|------|------------------|-------|
| A | Mounting Bracket | 1 PCS |
| B | Canopy | 1 PCS |
| C | Cover Nut | 2 PCS |
| D | Central Pipe | 4 PCS |
| E | Central Pipe | 1 PCS |
| F | Lamp Arm | 6 PCS |
| G | Decorative Cover | 1 PCS |
| H | Decorative Nut | 1PCS |
| I | Crystal Ball | 18PCS |
| J | G9 Lock Ring | 18PCS |
| | | |
| | | |
| | | |

Assembly and Installation Steps



Step 3

1. Each light arm has 3 wires, black and white. Divide the 6 lamp arms into two groups. Connect the 9 black wires (+) of the first group to lead L. Connect the 9 white wires (-) of the first group to lead N. Then connect the 9 black wires (+) of the second group to lead L of the first group.

2. Connect the 9 white wires (-) of the second group to lead N of the first group. Lead L is connected to the second group of black wires corresponding to main wire L, and lead N is connected to the second group of white wires corresponding to main wire N. Wire connection is complete.

Step 5

5A. Lock the crossbar to the junction box of the ceiling by using 2 pcs of 5/32 screws in the accessories bag.

5B. Connect the wires. The hot/positive wire (+) has an "L" label on it. The other one is the negative wire (-). And the bare cooper is the ground wire.

5C. Attach the canopy to the ceiling with screws

