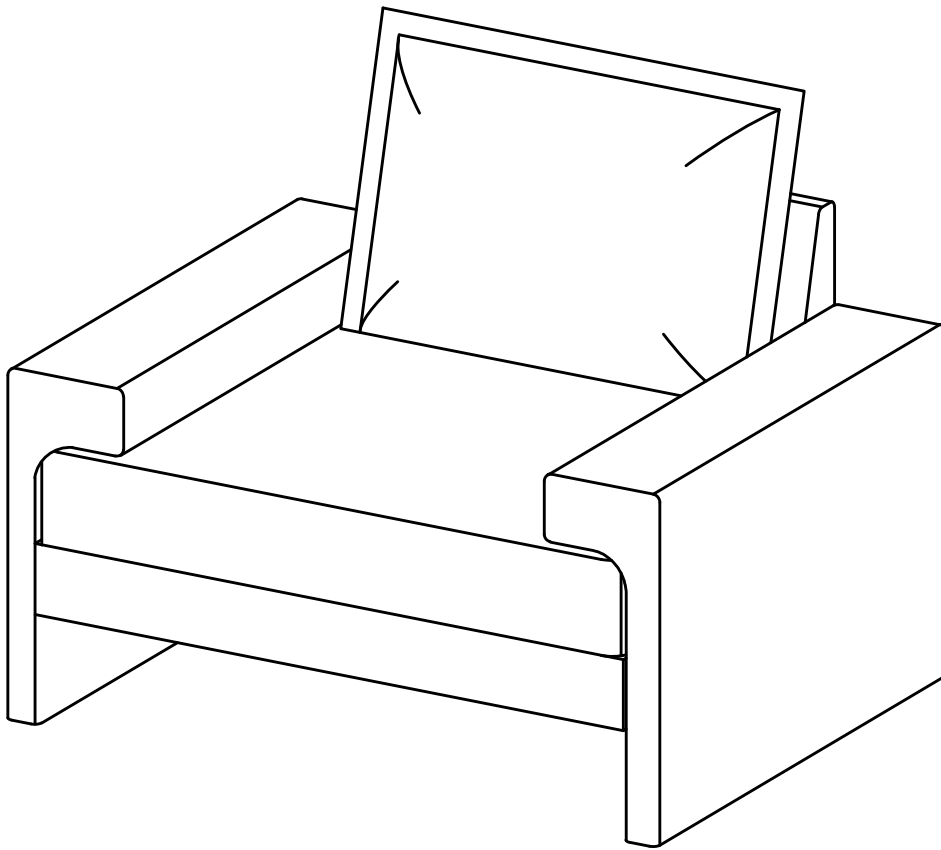


ASSEMBLY INSTRUCTION

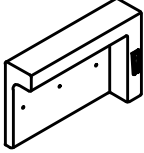
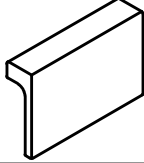
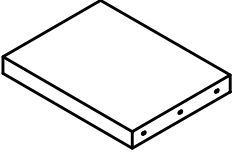
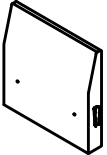
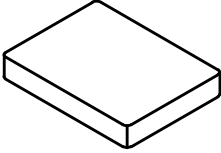
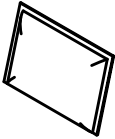


CAUTION: This Chair is NOT a TOY.

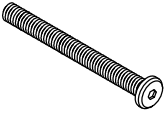


Keep your child / children at bay during the assembly process.

For moving the Chair and to prevent damage to the Chair, two adults are needed to execute this action.

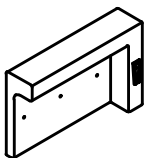
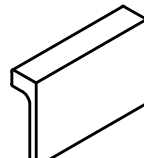
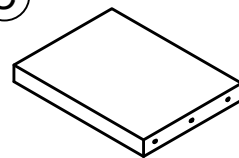
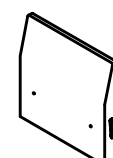
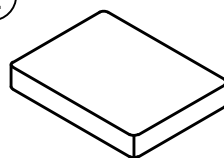
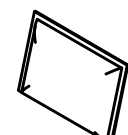
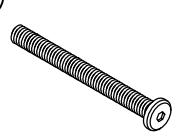


PART LIST

LABEL	PICTURE	QTY	DESCRIPTION
Ⓐ		1	Left Leg Frame
Ⓑ		1	Right Leg Frame
Ⓒ		1	Seat Panel
Ⓓ		1	Backrest
Ⓔ		1	Seat Cushion
Ⓕ		1	Back Cushion

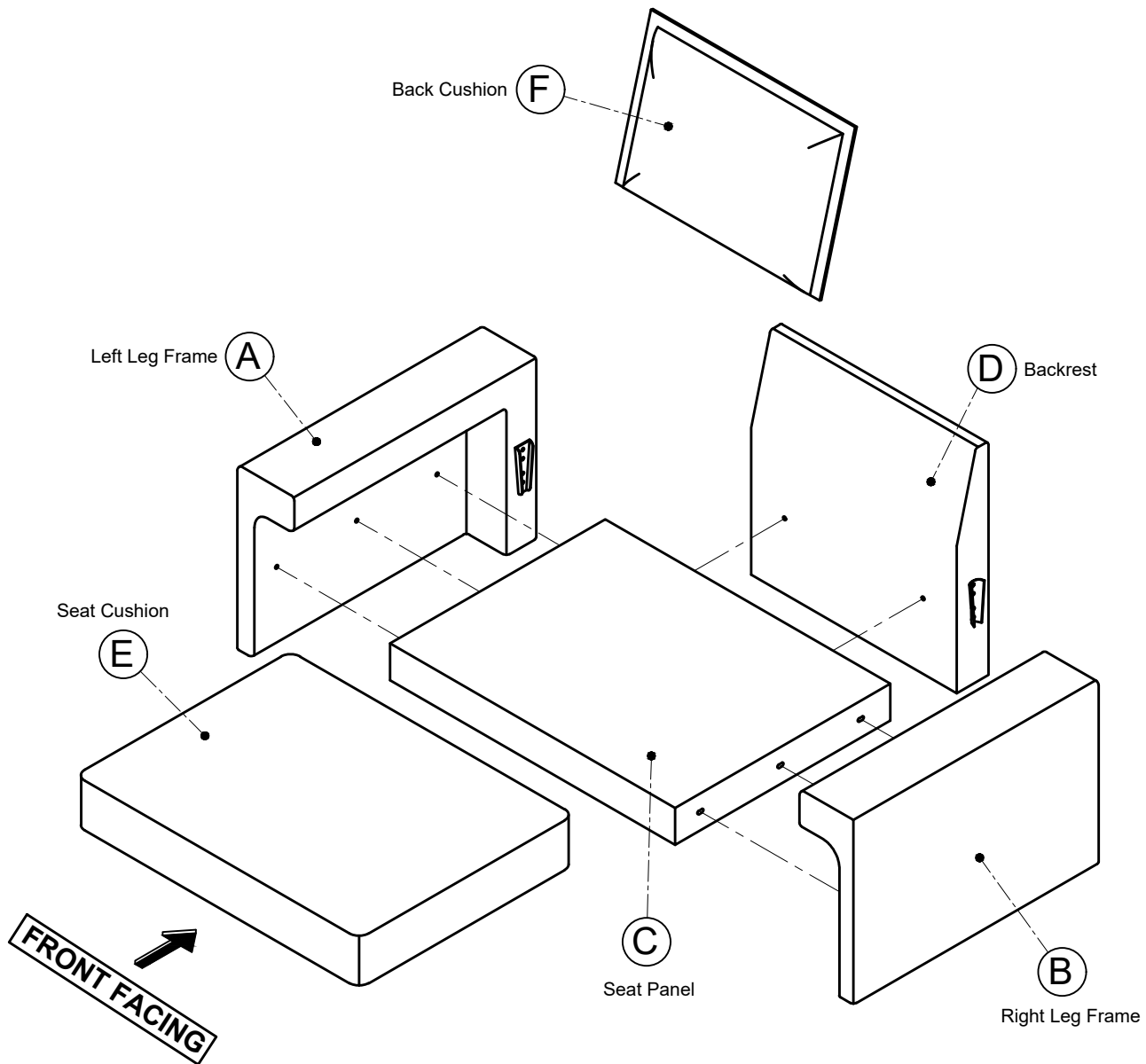
HARDWARE LIST

LABEL	PICTURE	QTY	DESCRIPTION
Ⓖ		8	Bolt 5/16" x 50mm
Ⓕ		8	Flat Washer Ø8 5/16"
Ⓖ		1	Allen Wrench

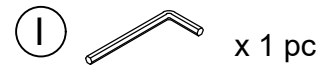
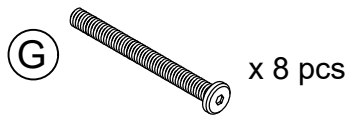
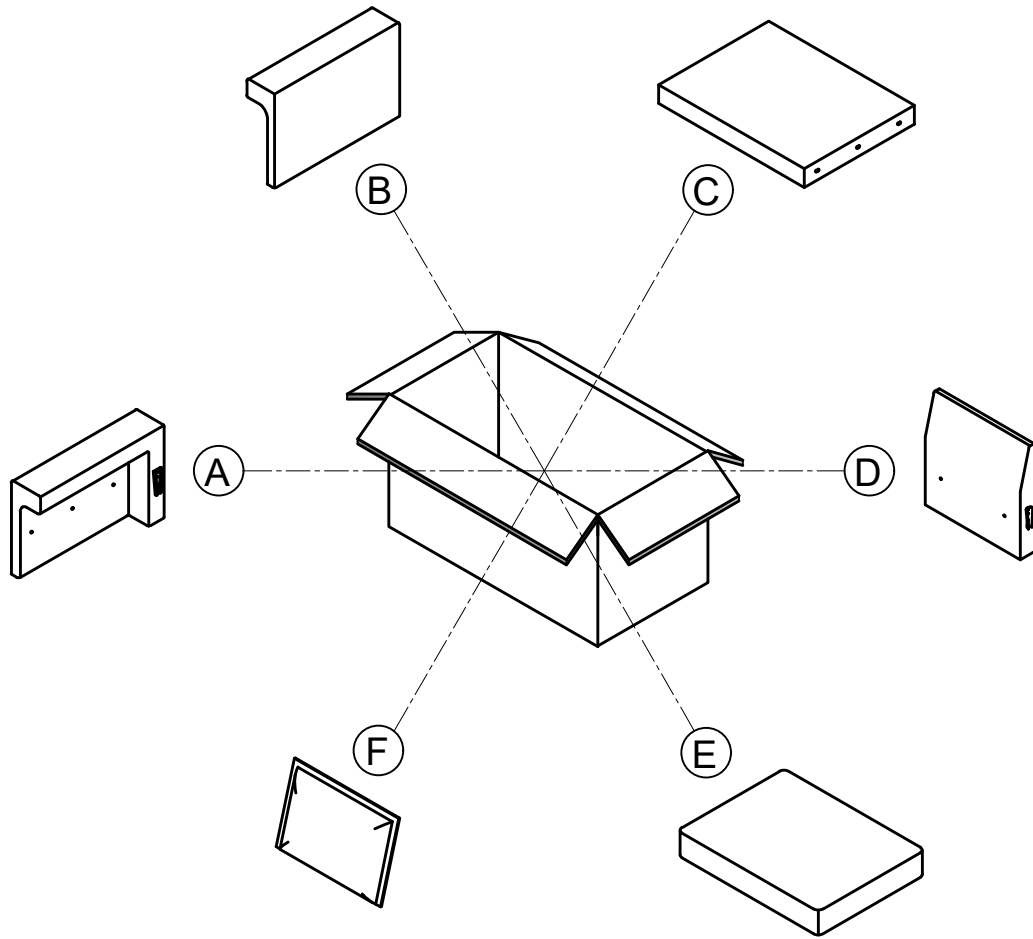
ASSEMBLY PREPARATION

<p>(A)</p> 	<p>(B)</p> 	<p>(C)</p> 	<p>(D)</p> 	<p>(E)</p> 
<p>Left Leg Frame x 1 pc</p>	<p>Right Leg Frame x 1 pc</p>	<p>Seat Panel x 1 pc</p>	<p>Backrest x 1 pc</p>	<p>Seat Cushion x 1 pc</p>
<p>(F)</p> 	<p>(G)</p> 	<p>(H)</p> 	<p>(I)</p> 	
<p>Back Cushion x 1 pc</p>	<p>Bolt 5/16" x 50mm x 8 pcs</p>	<p>Flat Washer Ø8 5/16" x 8 pcs</p>	<p>Allen Wrench x 1 pc</p>	

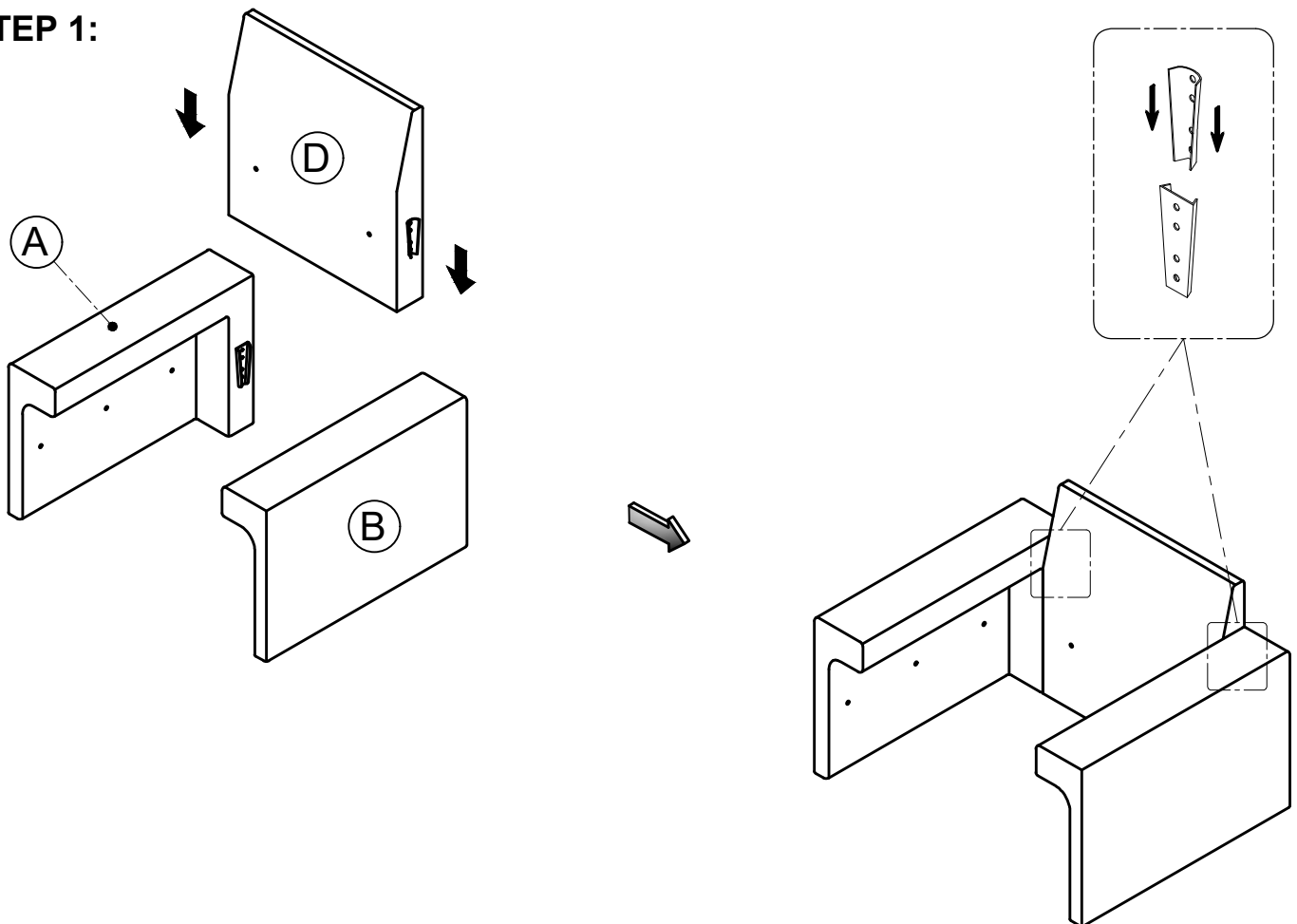
ASSEMBLY STEPS



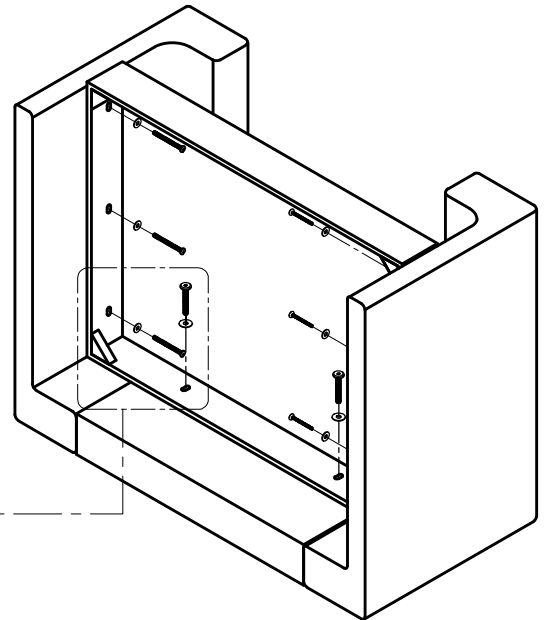
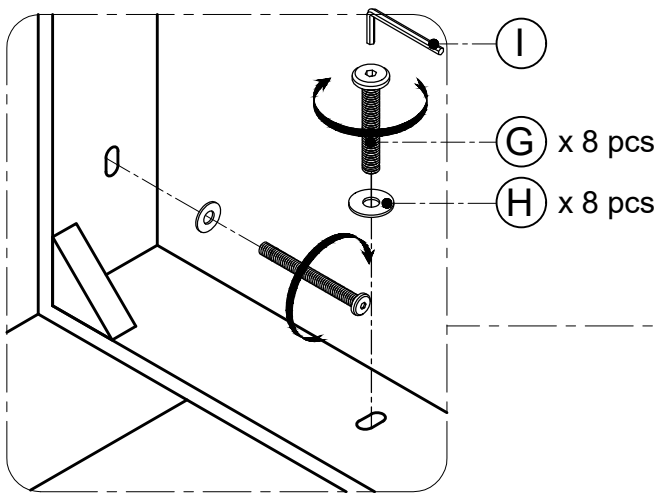
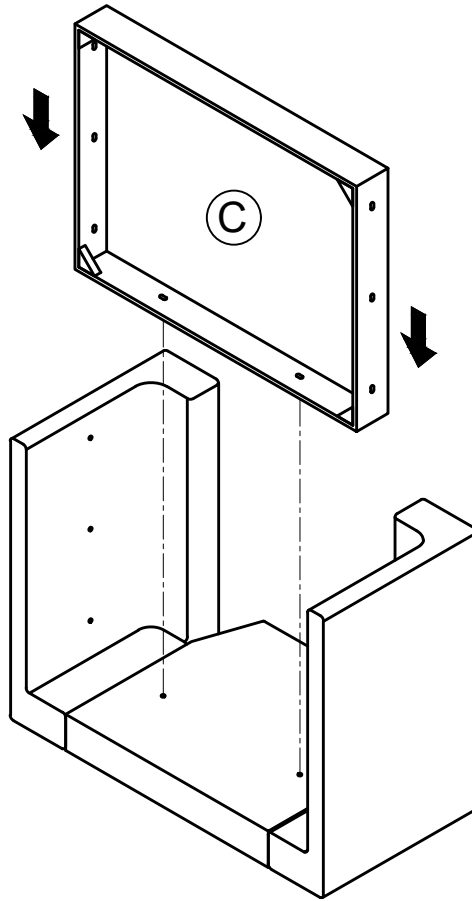
* Take out the (A) (B) (C) (D) (E) (F) (G) (H) (I)



STEP 1:



STEP 2:



Helpful Hints

- Move your new furniture carefully, with two people lifting and carrying the unit to its new location.
- Your furniture can be disassembled and reassembled to move.
- Clean the product with a soft damp cloth. DO NOT use harsh chemicals or abrasive cleaners.

COMPLETED

