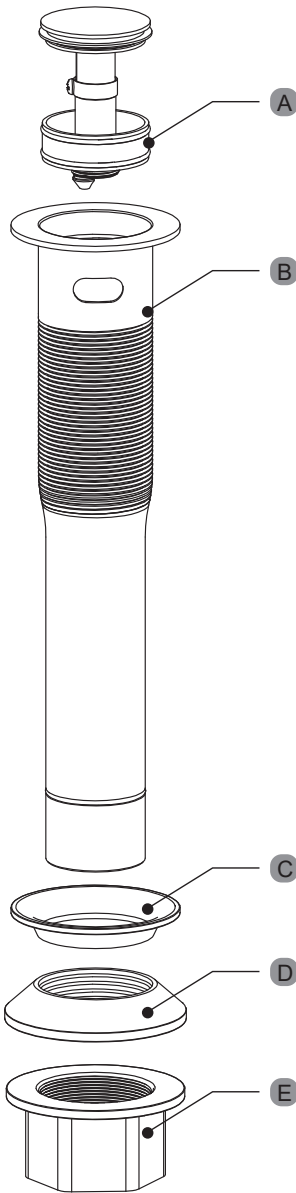
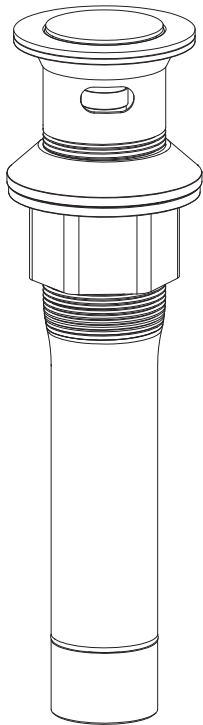


Pop Up Drain Installation Guidance:

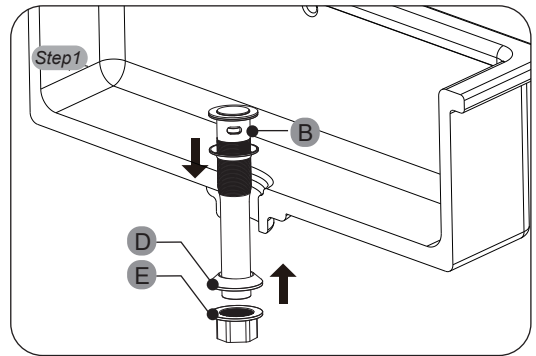


Parts Sheet:

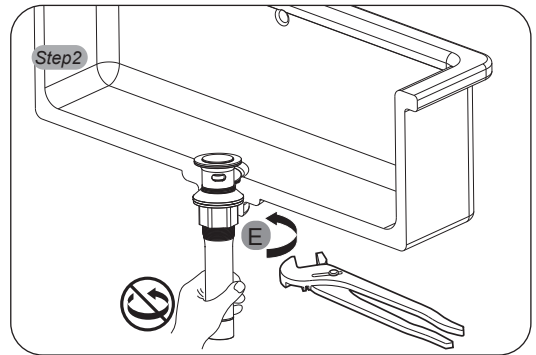
- A Filter
- B Drain Body
- C Small Gasket
- D Large Gasket
- E Fasten Nut

Tips:

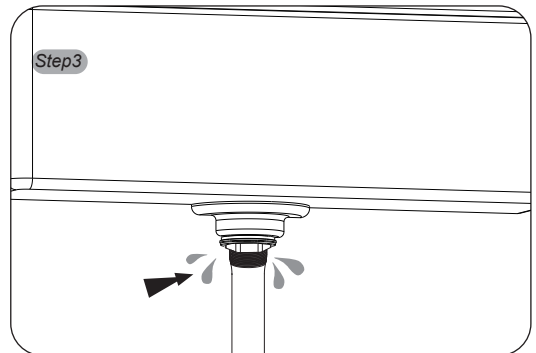
1. The pop up drain is both suitable for the installation of basins with and without overflow holes;
2. Make sure that the overflow hole of pop up drain is aligned with the overflow hole of the basin when installation.



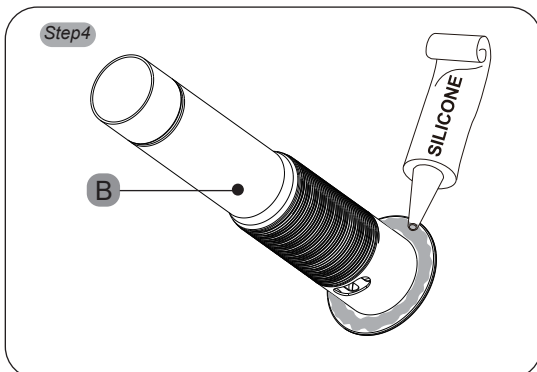
Remove parts D and E from the drain, insert B into the basin hole, and then install D and E on B in sequence.



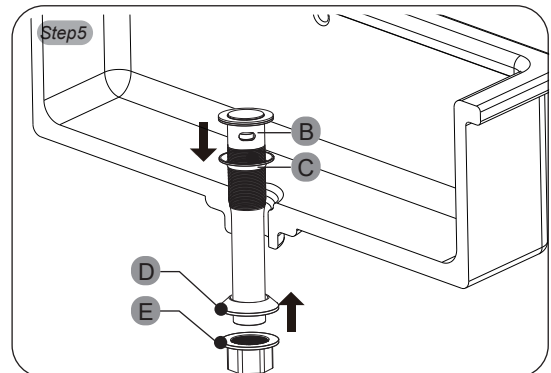
Use a wrench to tighten the fasten nut (E).



Check whether leakage happened here under the basin sink; You need apply some silicone to prevent leakage issue if there is leakage under the basin sink, Follow steps 4 and 5 to apply the silicone and complete installation;



Remove C,D and E from B, apply the silicone to underside of flange as shown. Insert B into sink hole;



Follow step 2 and 3 to install D, E onto B (C is no need in this process), if there is any further issue, please feel free to contact us (support@gele.ltd) for help.