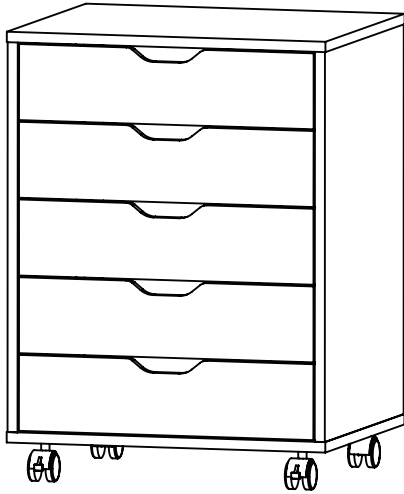




DEVAISE
WWW.DEVAISE.COM



ASNG074

Wood 5 Drawer Storage Cabinet V3.3



IMPORTANT INFORMATION

READ CAREFULLY.

KEEP THIS INFORMATION FOR FURTHER REFERENCE.

GENERAL GUIDELINES

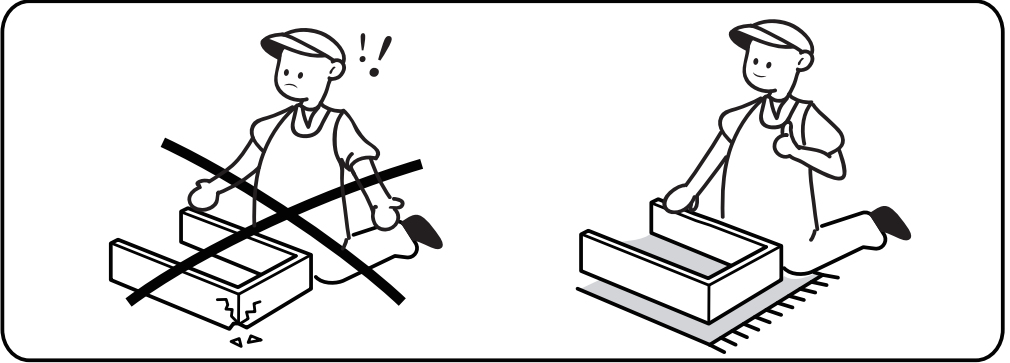
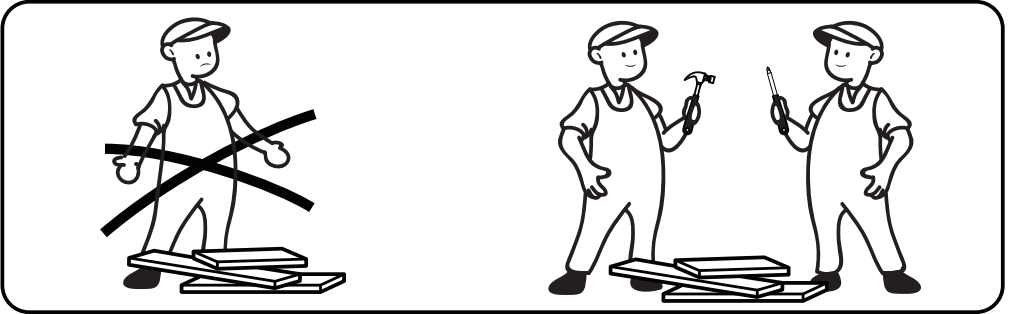
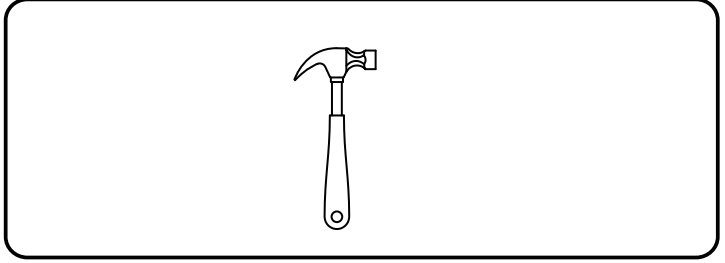
- Please read the following instruction carefully and use the product accordingly.
- Please keep this manual and hand it over when you transfer the product.
- This summary may not include every detail of all variations and considered steps. Please **contact us** when further information and help are needed.

NOTES

- Please follow the assembly instructions precisely and only use the product as intended.
- If an odor is present when first opening the package, please leave the unwrapped product in a shaded and ventilated area for a few days to air out.
- Prior to assembly, please check the product for defects or missing accessories. If any defects are found or accessories are missing, do not use product as damage or injury may occur;
Please **contact us** for assistance and replacement.
- It is suggested you regularly check the products bolts and connections to ensure safe use.
- Assemble the item on a soft flat and clean surface to avoid scratches and damage.
- It is recommended that two people assemble this product.

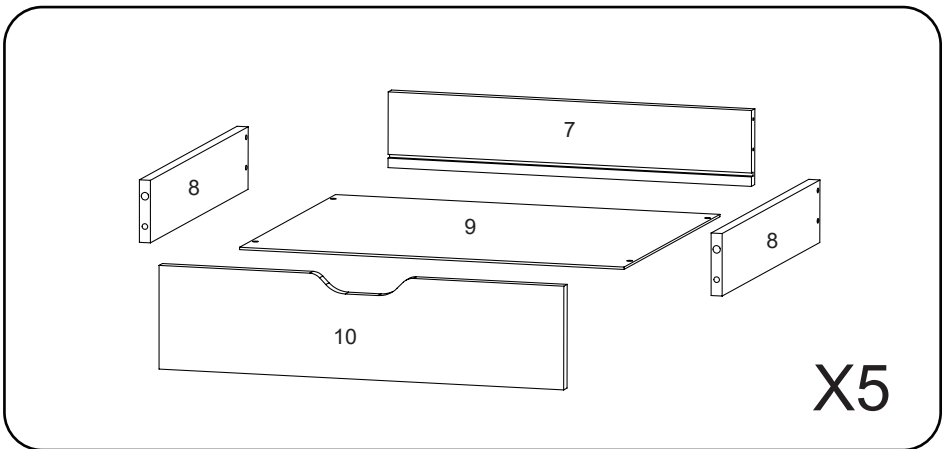
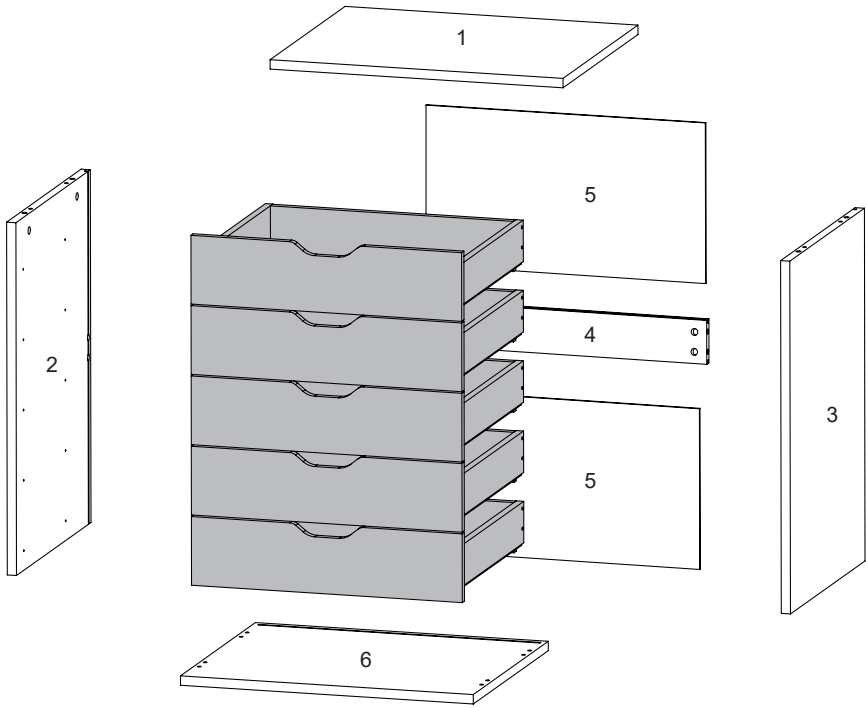
WARNINGS

- During assembly, keep parts and packaging materials away from children and pets as there could cause injury and are a potential choking hazard.
- Avoid sharp objects or corrosive chemicals to prevent damage to the product.
- Please open the item slowly and cautiously to avoid pinching your hands by metal joints, especially children.



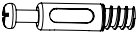


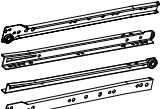










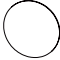

- If you have any further questions, please feel free to contact us by email or official website: devaise-cs@devaise.com
We will reply ASAP.
- Before installation, please make sure you have all the hardware, the serial numbers are properly labeled corresponding to the list, and the quantity is correct.
- Enjoy your new purchase!

EXPLODED DRAWING

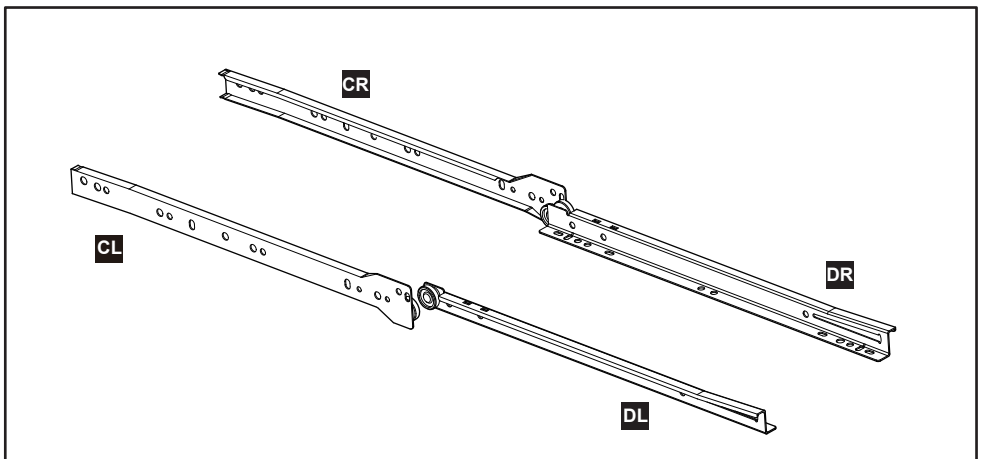


X5

PARTS

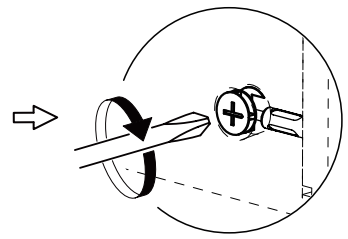
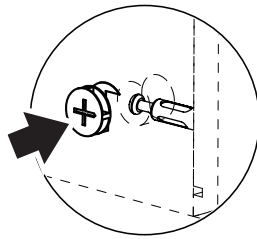
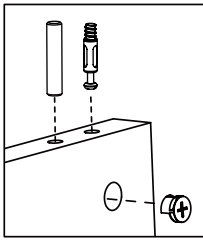
 A X18	 B X18	 C X18
 D X5 II  CL +  DL +  DR +  CR	 E X64 M4x14	 F X4 M5x50
 G X20 M4x30	 H X2	
 I X2	 J X8	
 K X10	 L X1	

REMARK

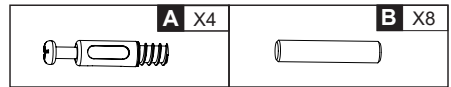


REMARK

MINIFIX POSITION

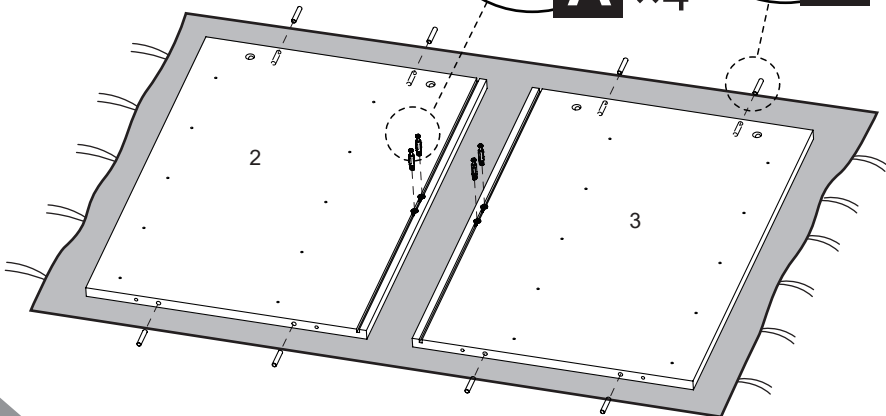
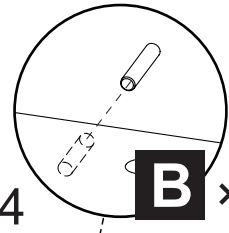
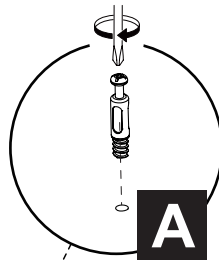
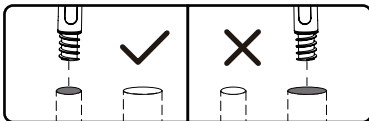
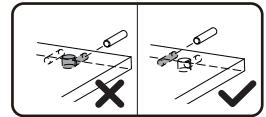
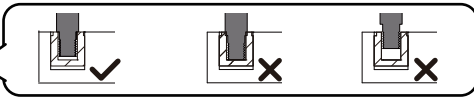


1






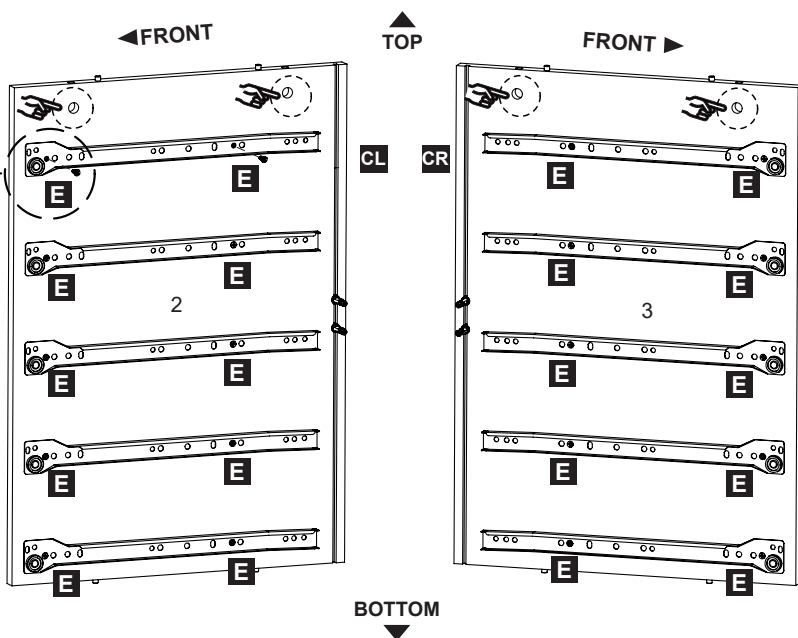
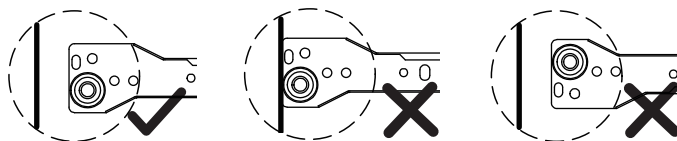
REMARK

1. Put a blanket under the board to avoid scratch or damage.
2. Please do not screw **A** too deep or too shallow.



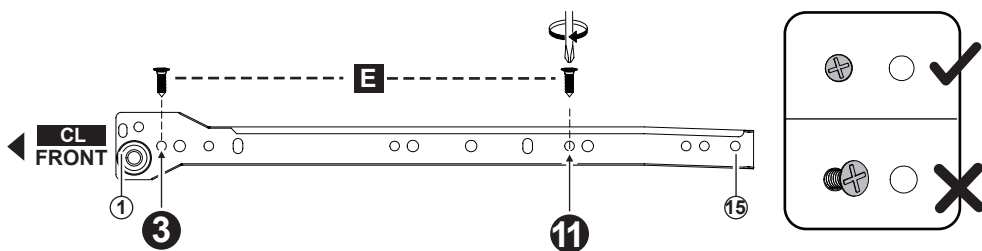
2

	E X20 M4x14		CL X5		CR X5
---	-----------------------	---	--------------	---	--------------



REMARK

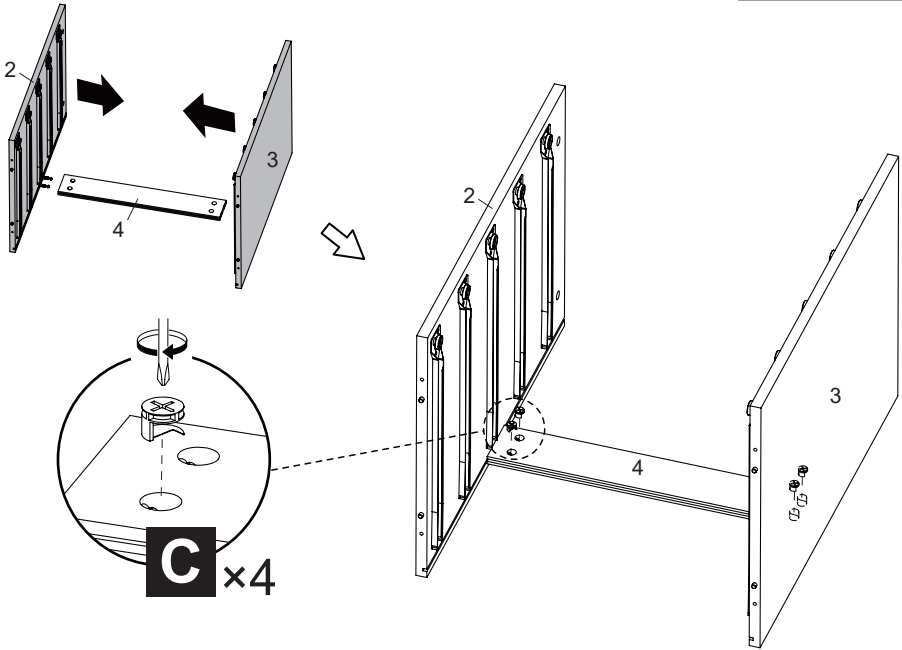
When installing, please make sure the screws are flattened, not crooked; Otherwise the drawers will not be installed perfectly.



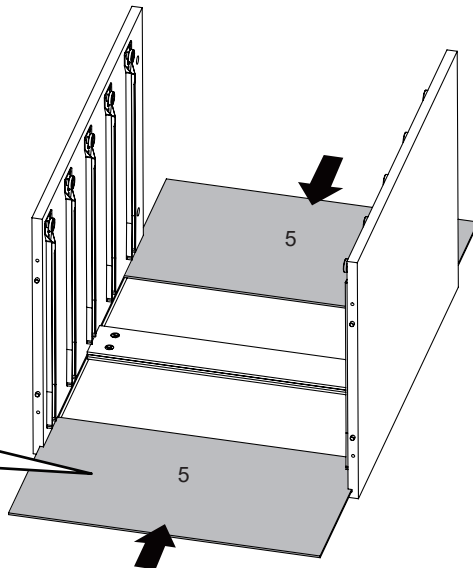
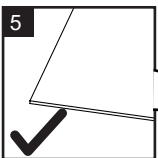
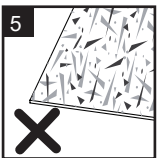
3



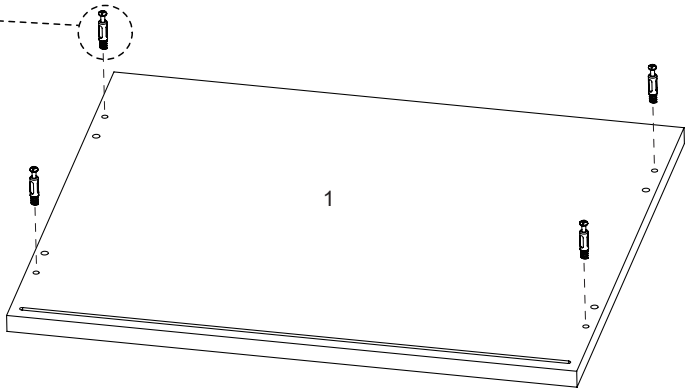
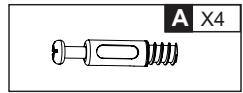
C X4



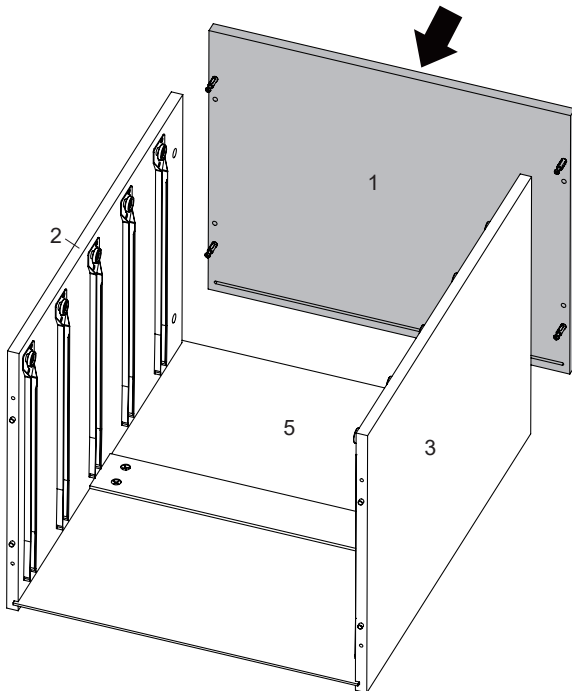
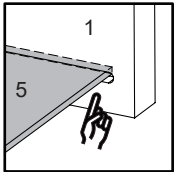
4



5

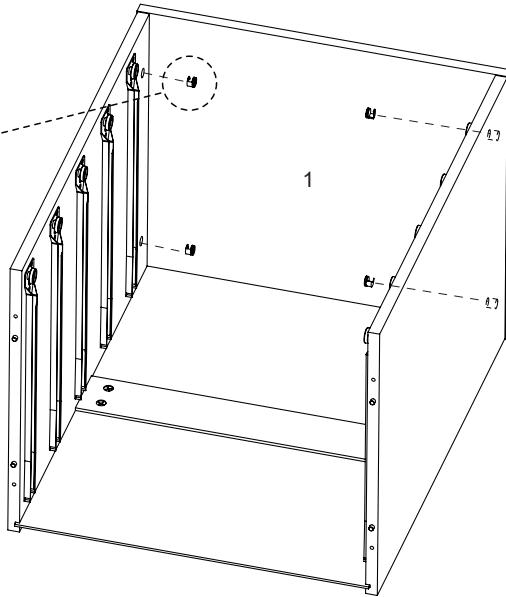


6



7

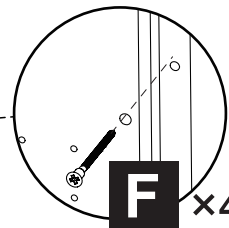
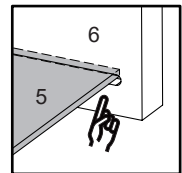
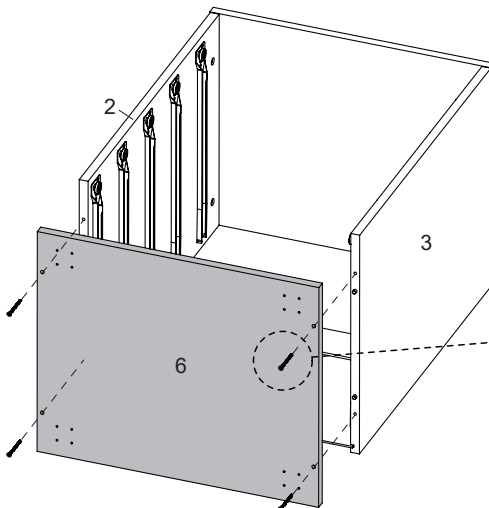

C X4

C x4





8



REMARK

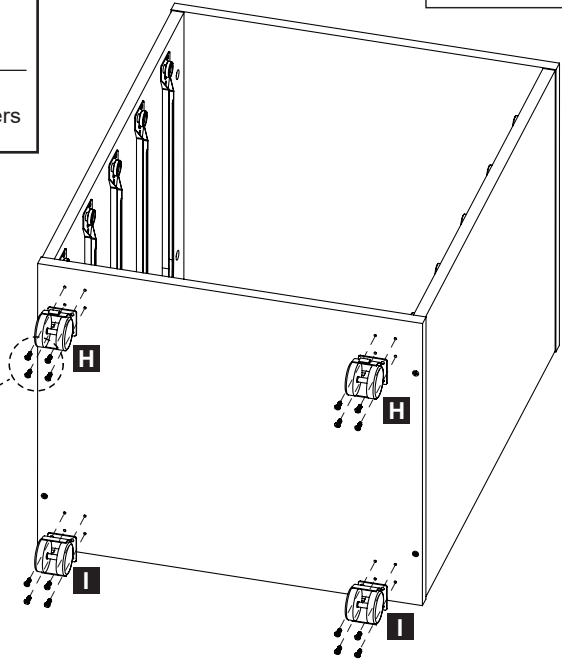
1. Install screw **F** after connect part **6** with part **2** and part **3**.
2. Please do not fully tighten screws until all screws are in place.


F X4
M5x50

F x4

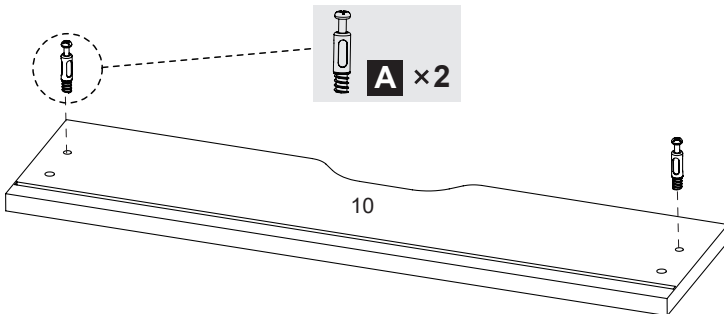
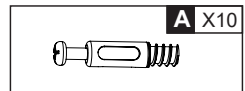
9

	E X16 M4x14		H X2
			I X2

H		Lockable casters
I		360° Swivel Casters

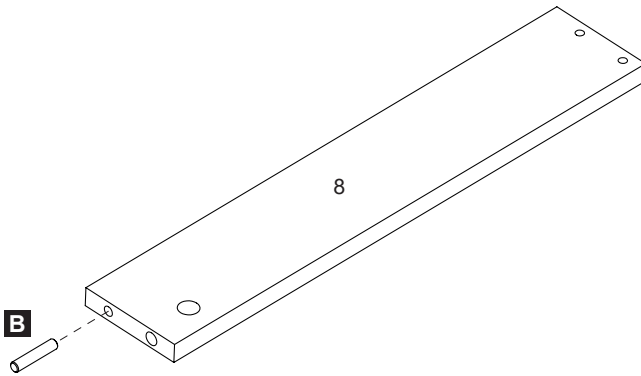


10



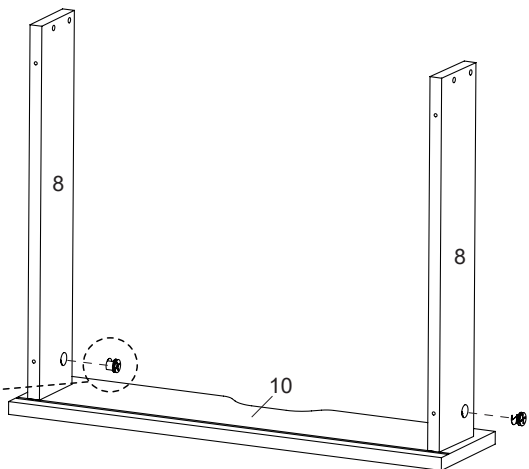
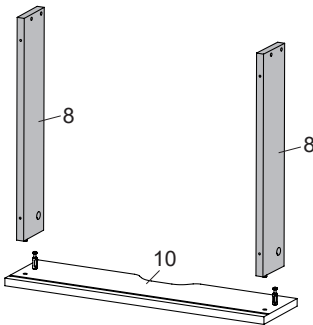
x5

11



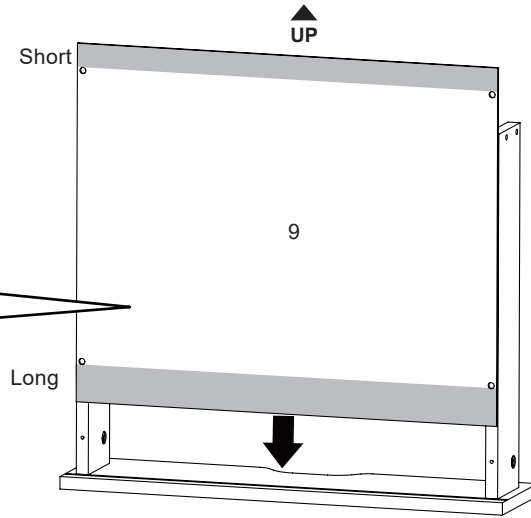
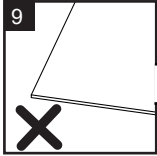
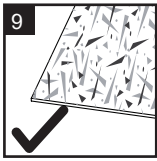
x10

12

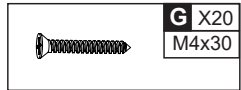


x5

13

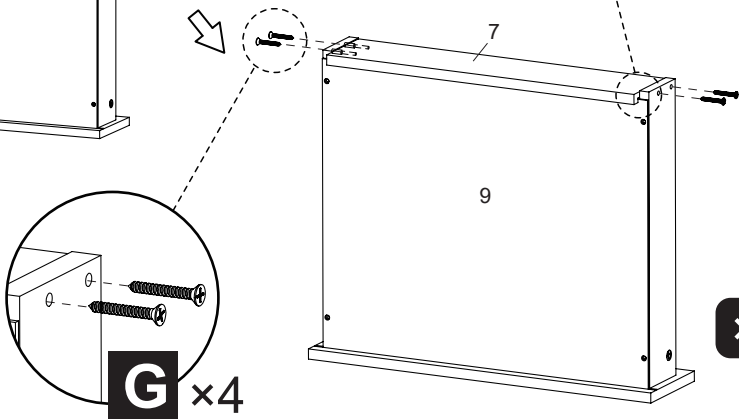
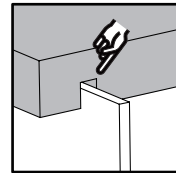
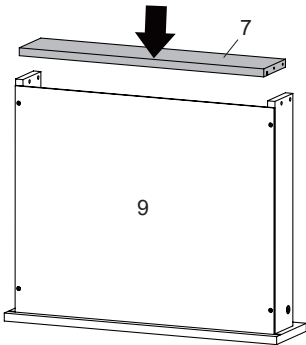


14






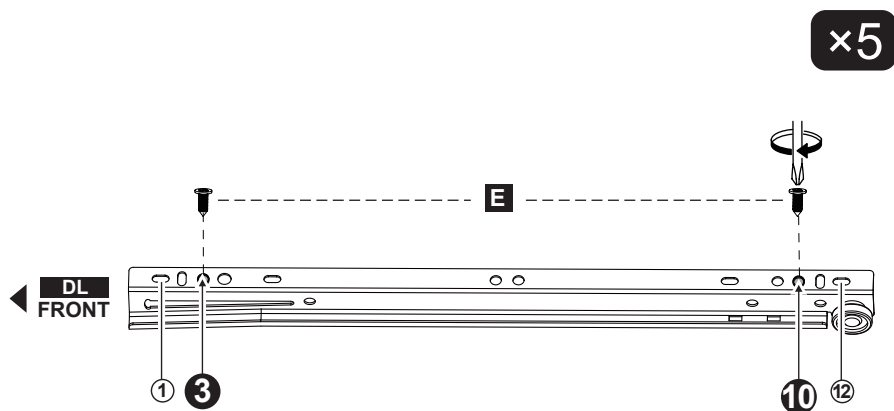
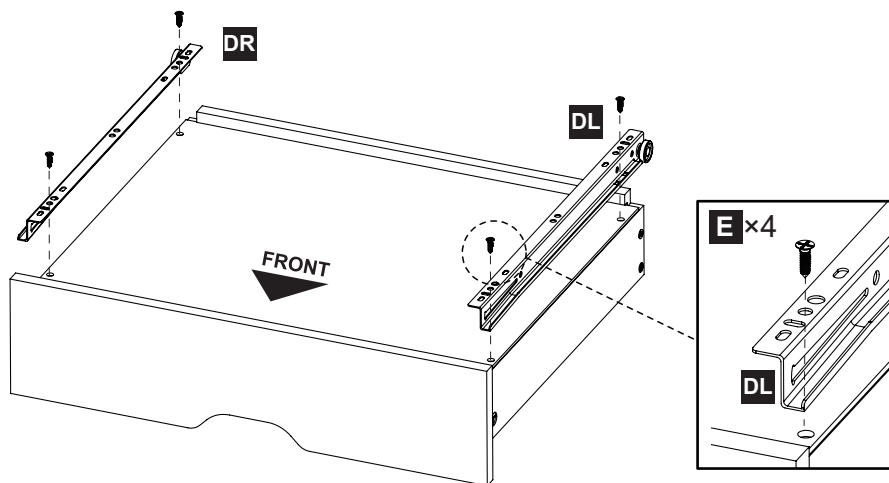
REMARK

Please do not fully tighten screws until all screws are in place.

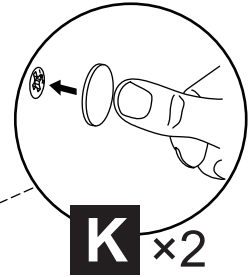
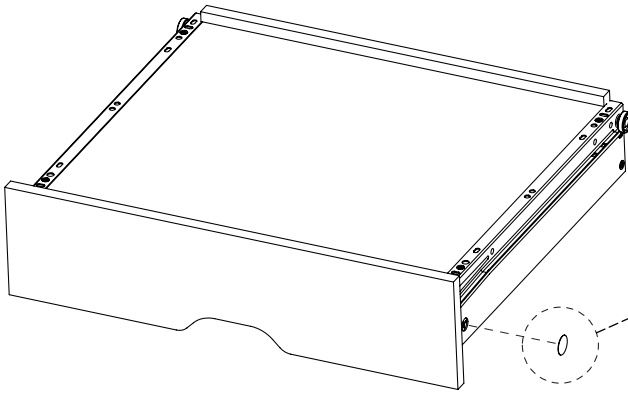


15

	E X20 M4x14	DL X5 
		DR X5 

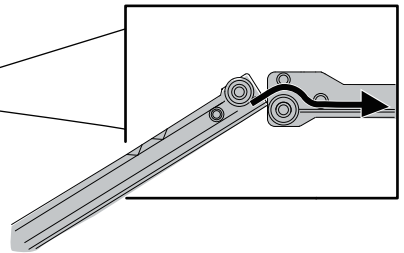
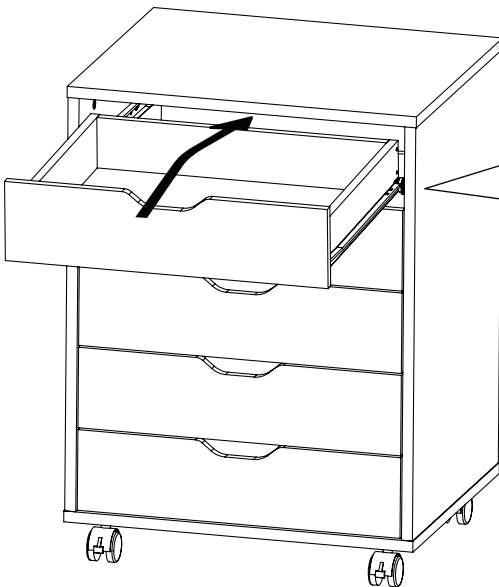


16





x5

17



18

	E X8 M4x14
	J X8

