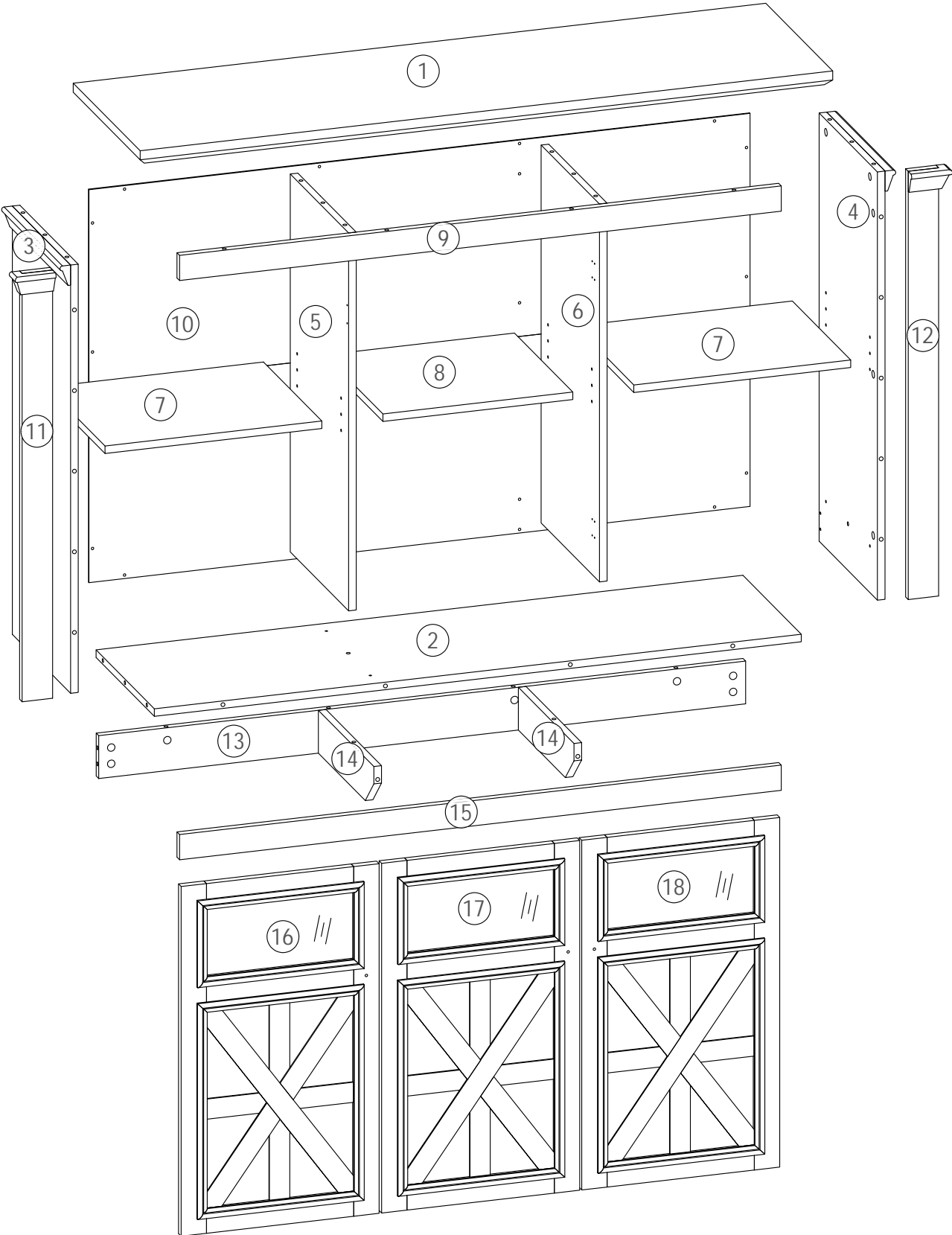


3 Doors Cabinet

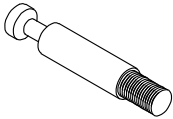
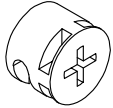
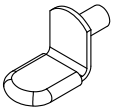
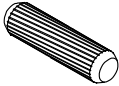
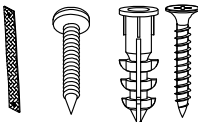

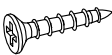
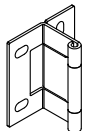
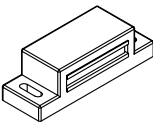

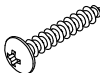
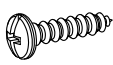

Assembly Instructions

NOTE: This instruction manual contains **IMPORTANT** safety information.
Please read carefully before assembling the product

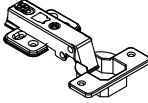
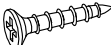
List of Parts



List of Hardware

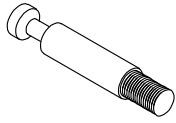
No.	Hardware	Quantity
A		48
B		Ø15x9MM
C		12
D		Ø8x30MM
E		2
F		6
G		Ø3.5x14MM
H		4
I		2
J		Ø4x22MM
K		Ø3.5x12MM
L		4
M		3

List of Hardware

No.	Hardware	Quantity
N		2
O	 Ø3.0x12MM	12

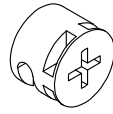
STEP1

A

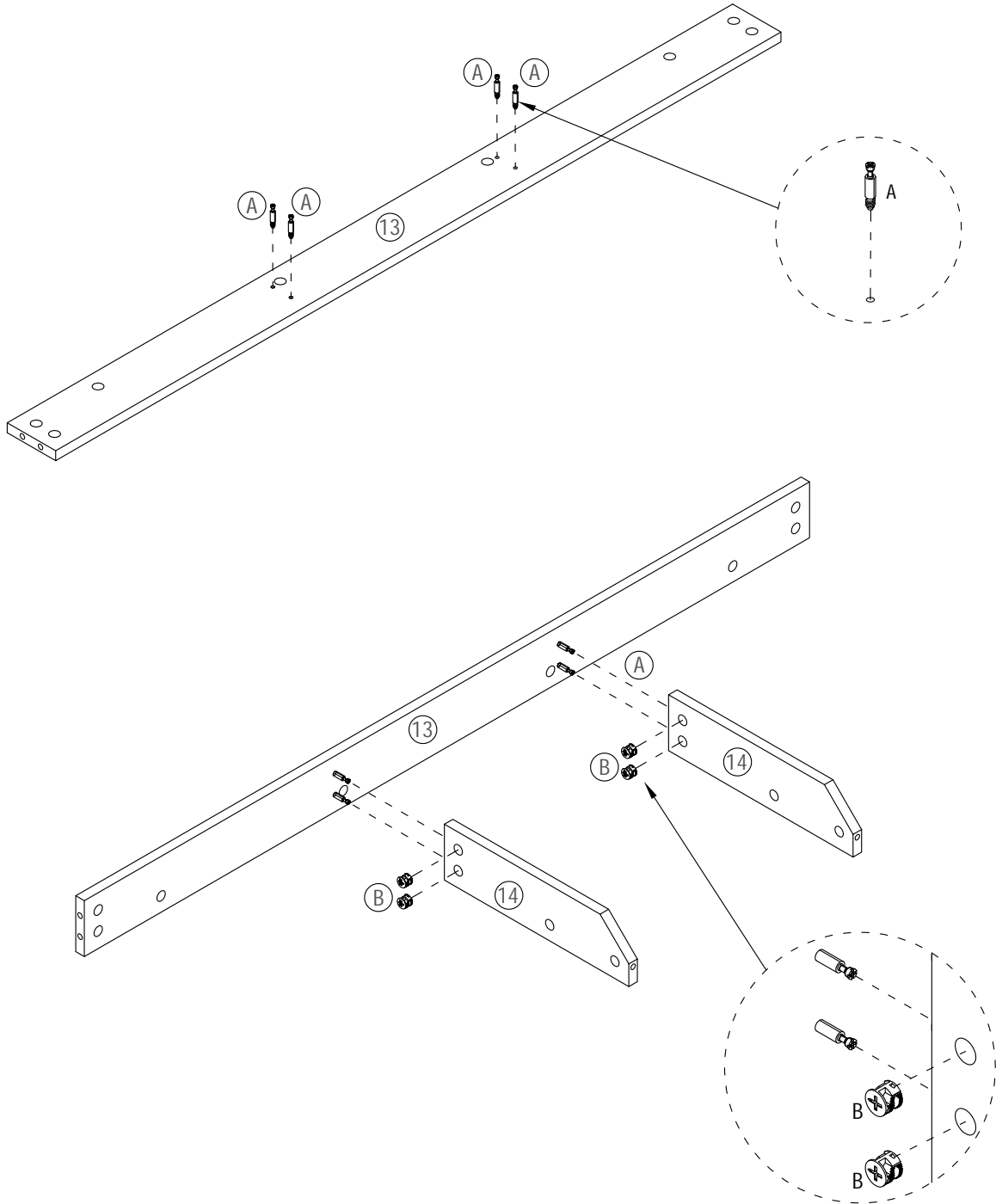


4 PCS

B

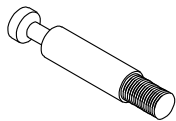


4 PCS

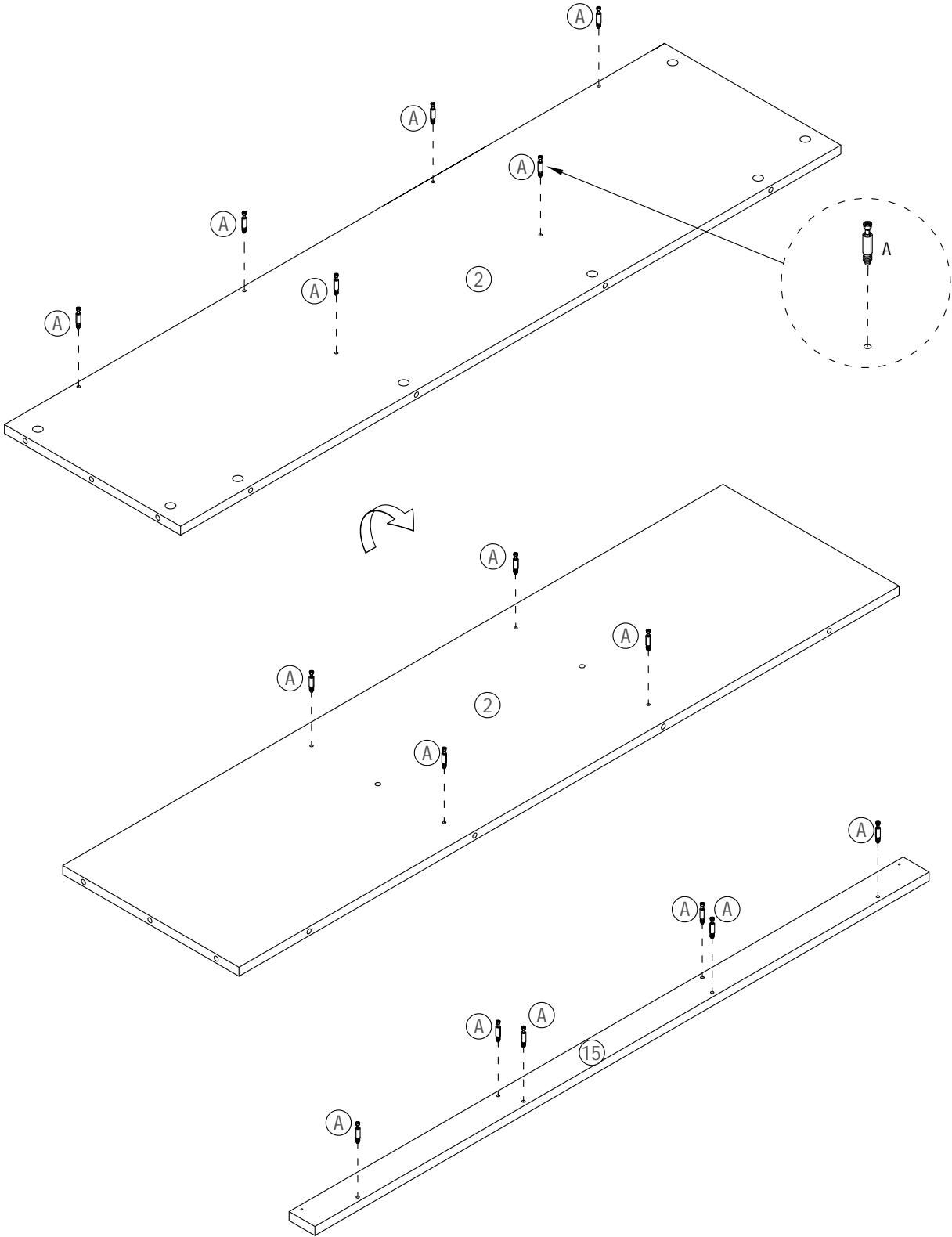


STEP2

A

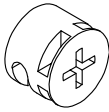


16 PCS

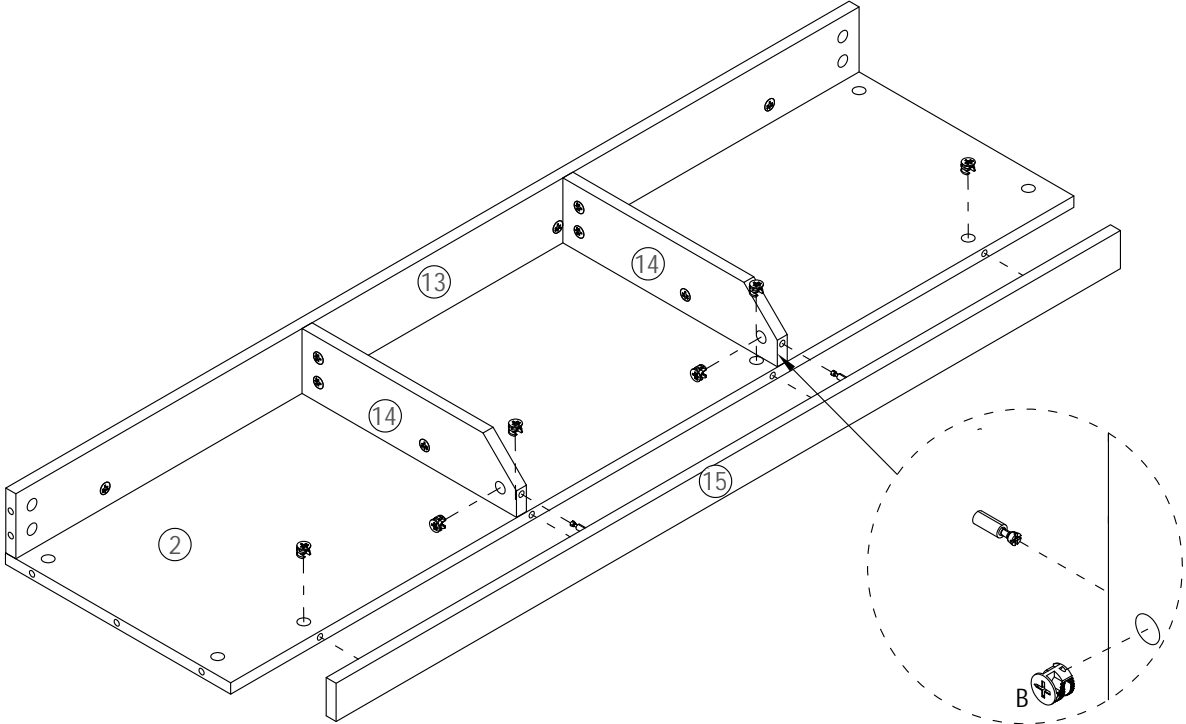
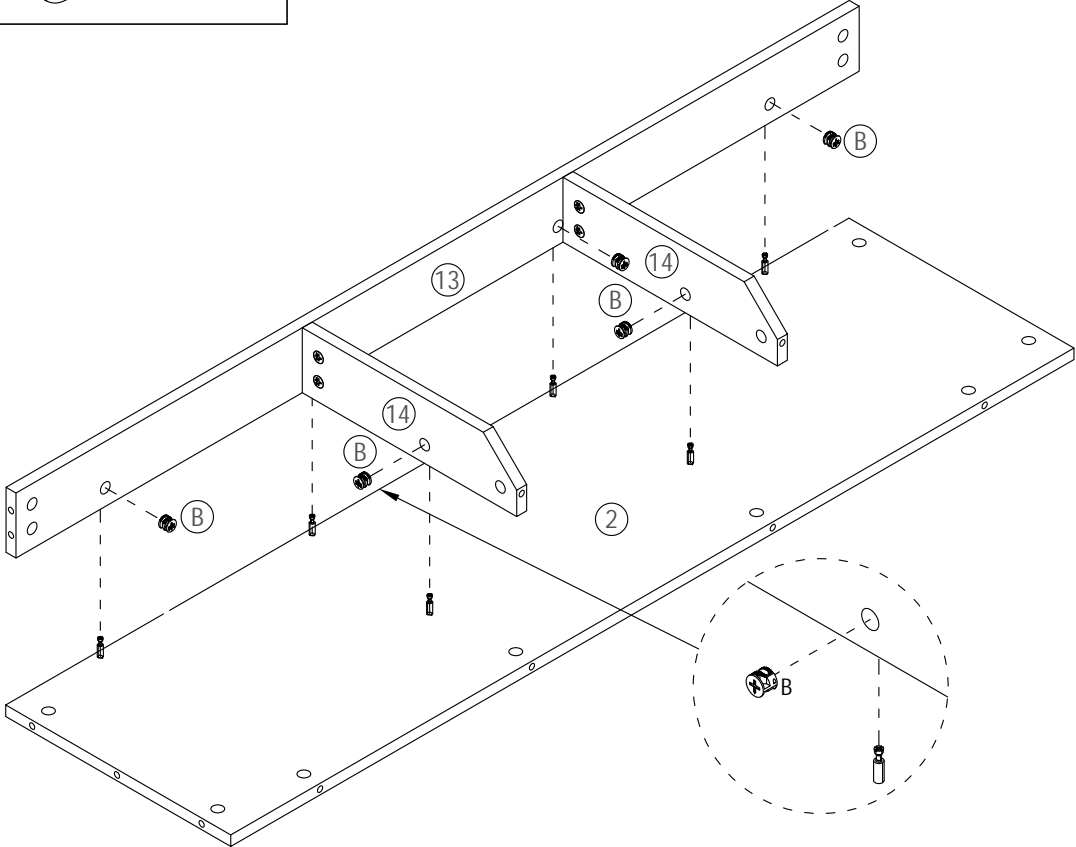


STEP3

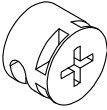
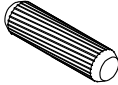
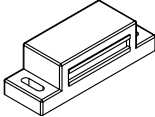
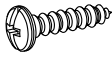
B

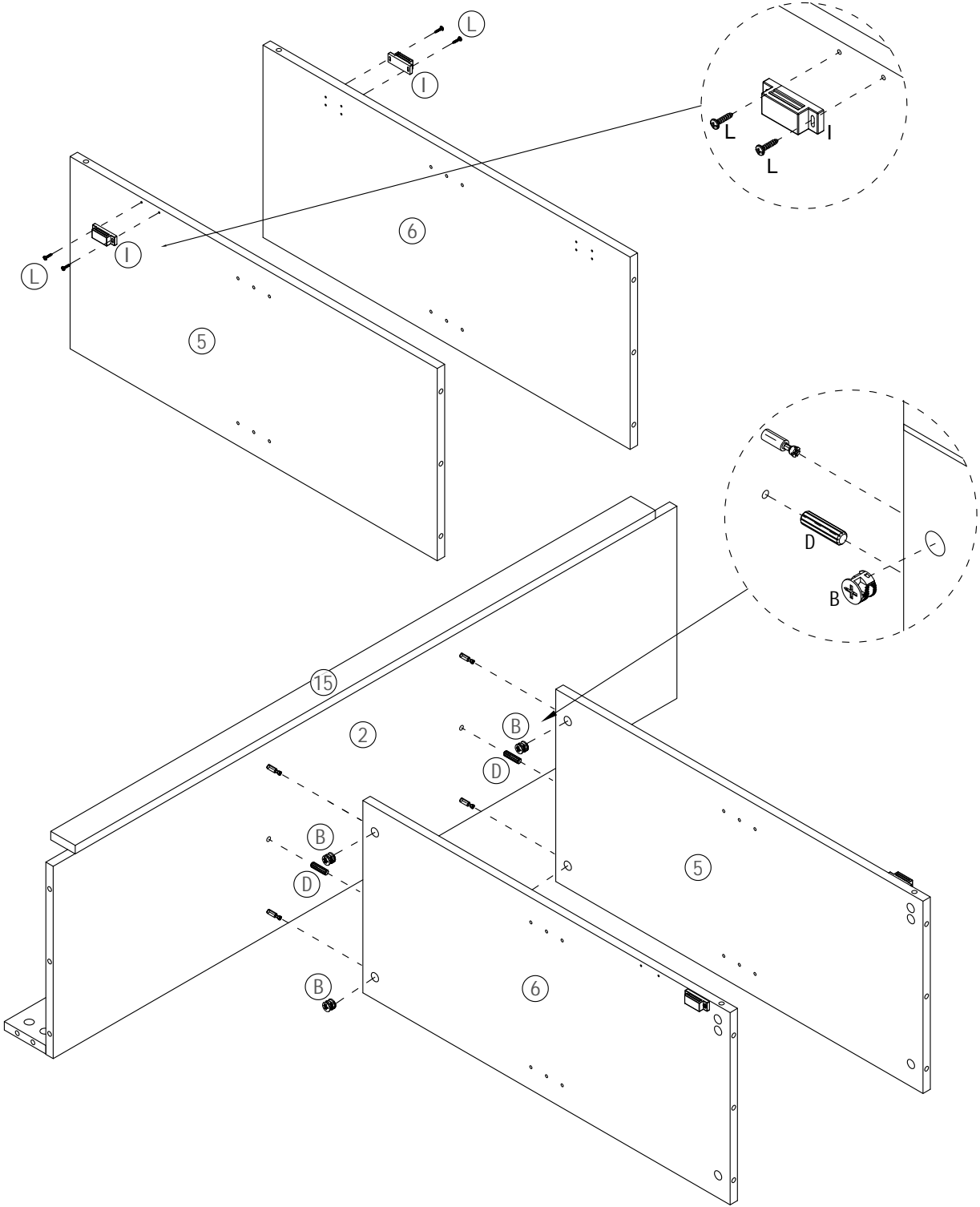


12 PCS



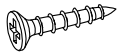
STEP4

B		4 PCS	D		2 PCS
I		2 PCS	L		4 PCS



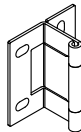
STEP5

G



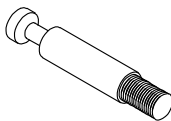
8 PCS

H

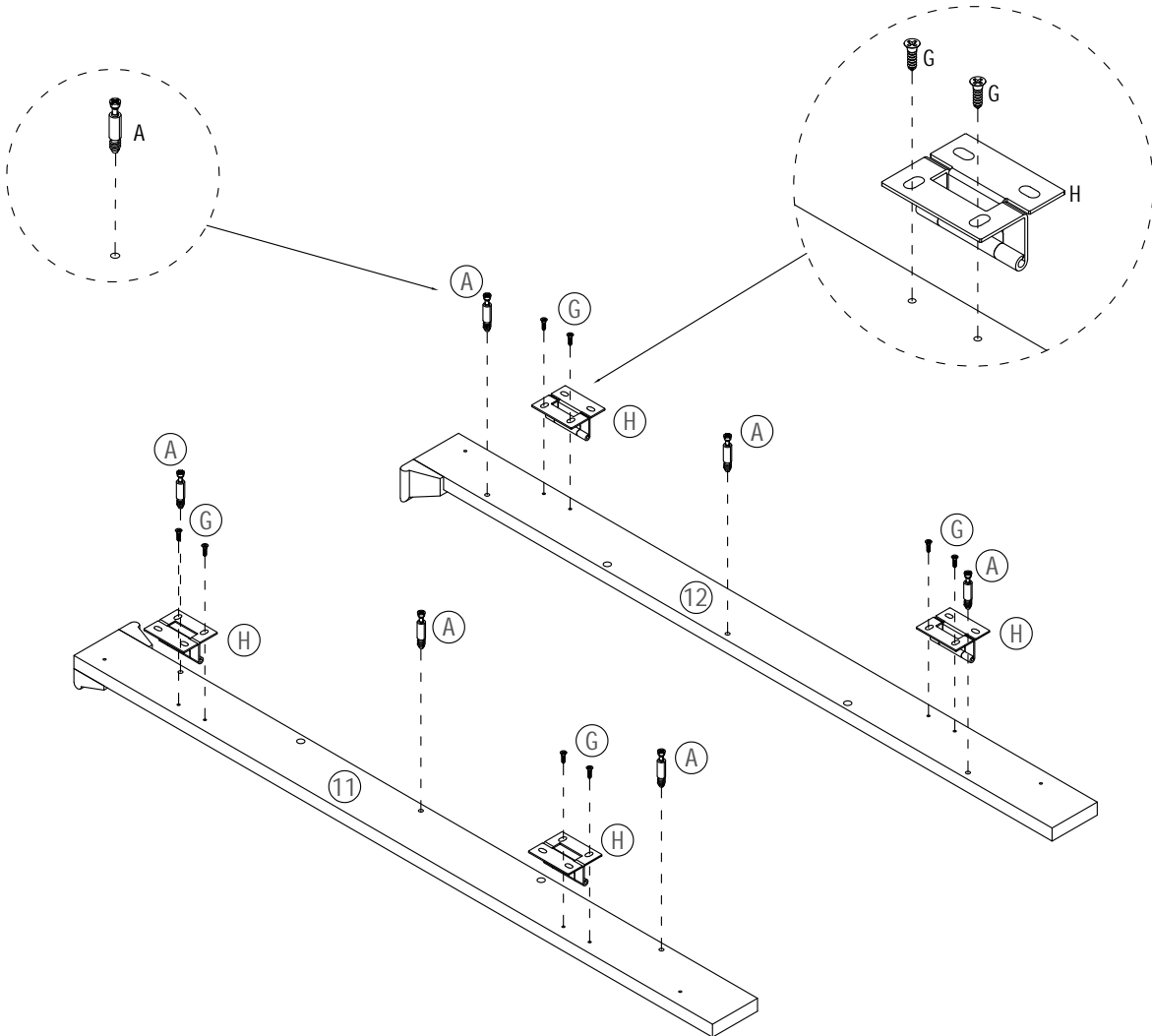


4 PCS

A

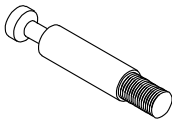


6 PCS



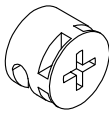
STEP6

A



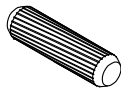
8 PCS

B

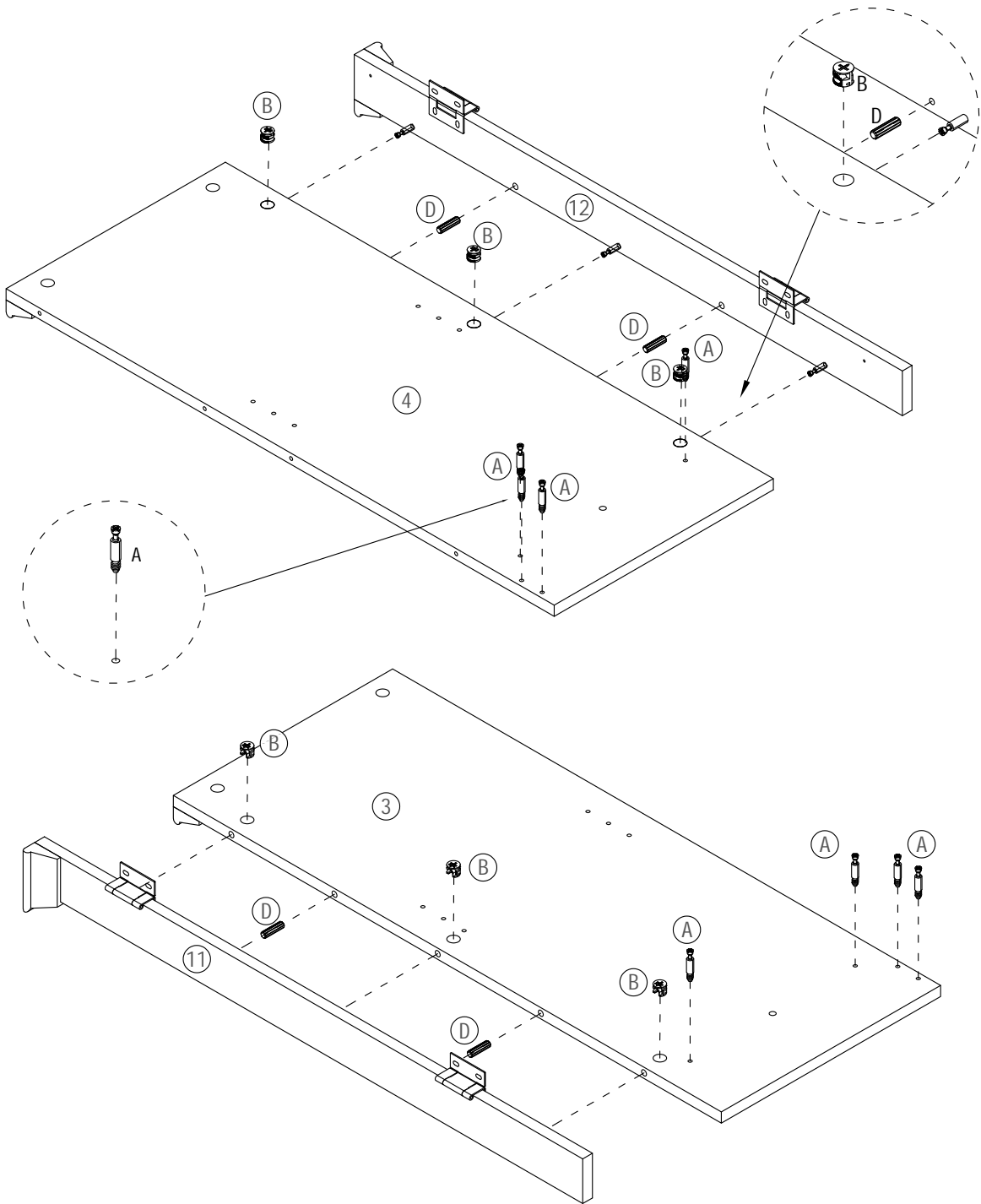


6 PCS

D

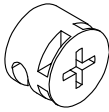


4 PCS



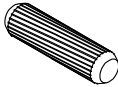
STEP 7

B

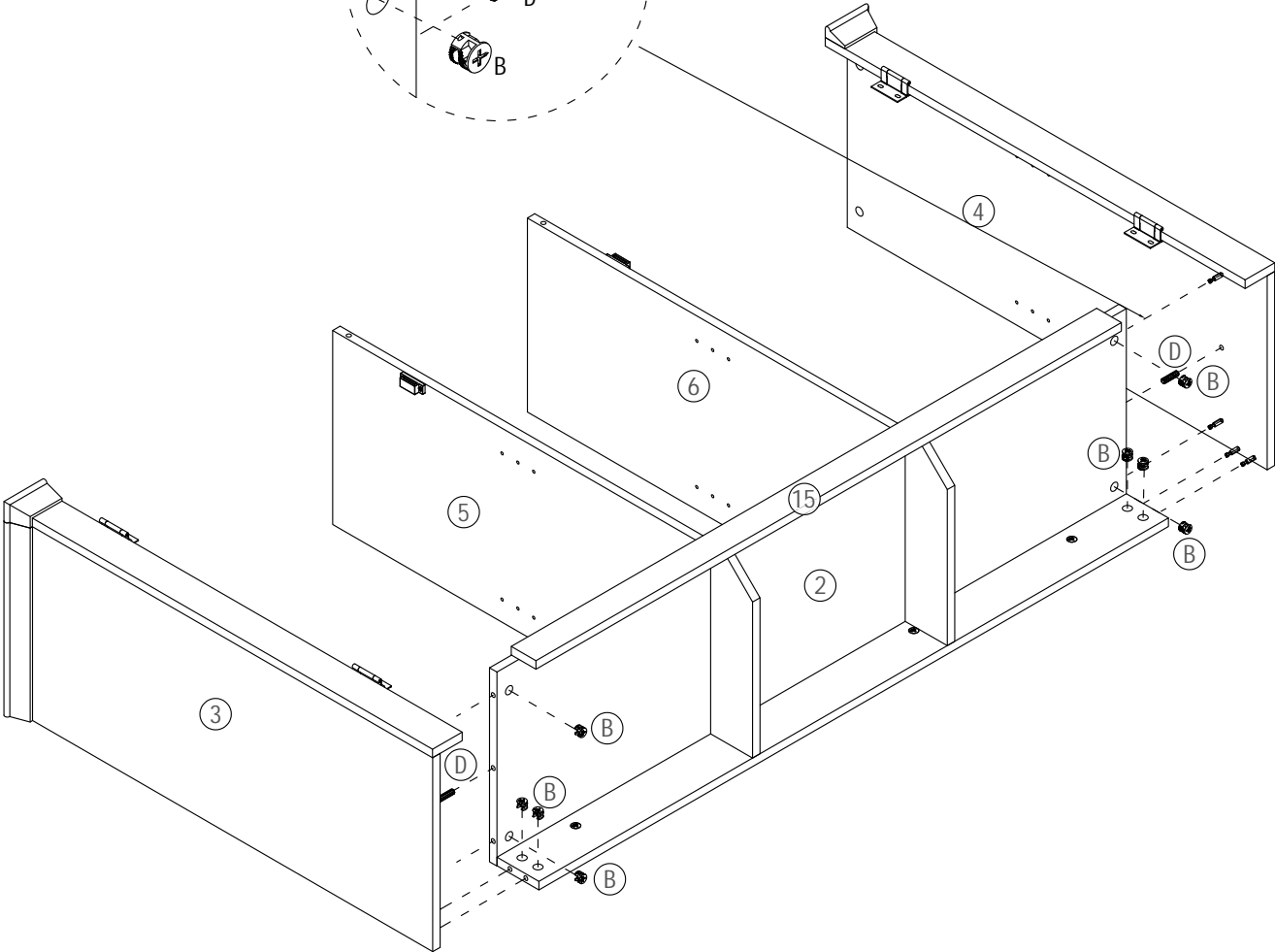
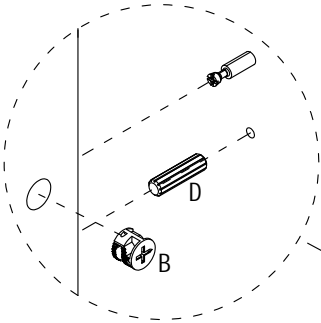


8 PCS

D

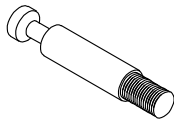


2 PCS



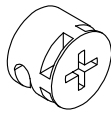
STEP8

A



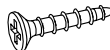
2 PCS

B



2 PCS

O

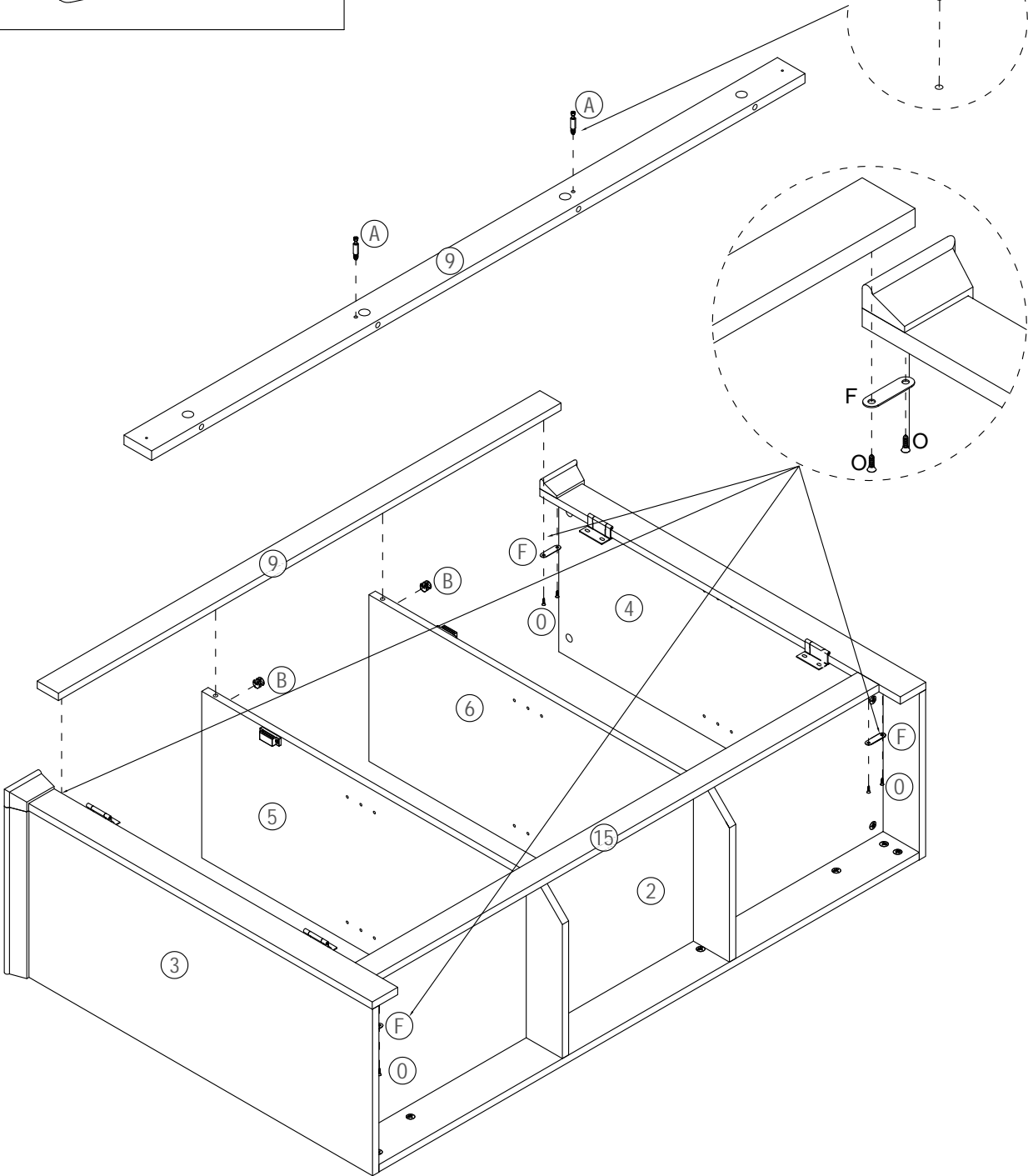


8 PCS

F

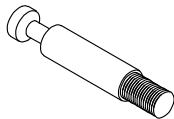


4 PCS



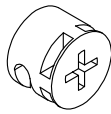
STEP 9

A



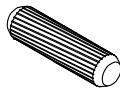
12 PCS

B

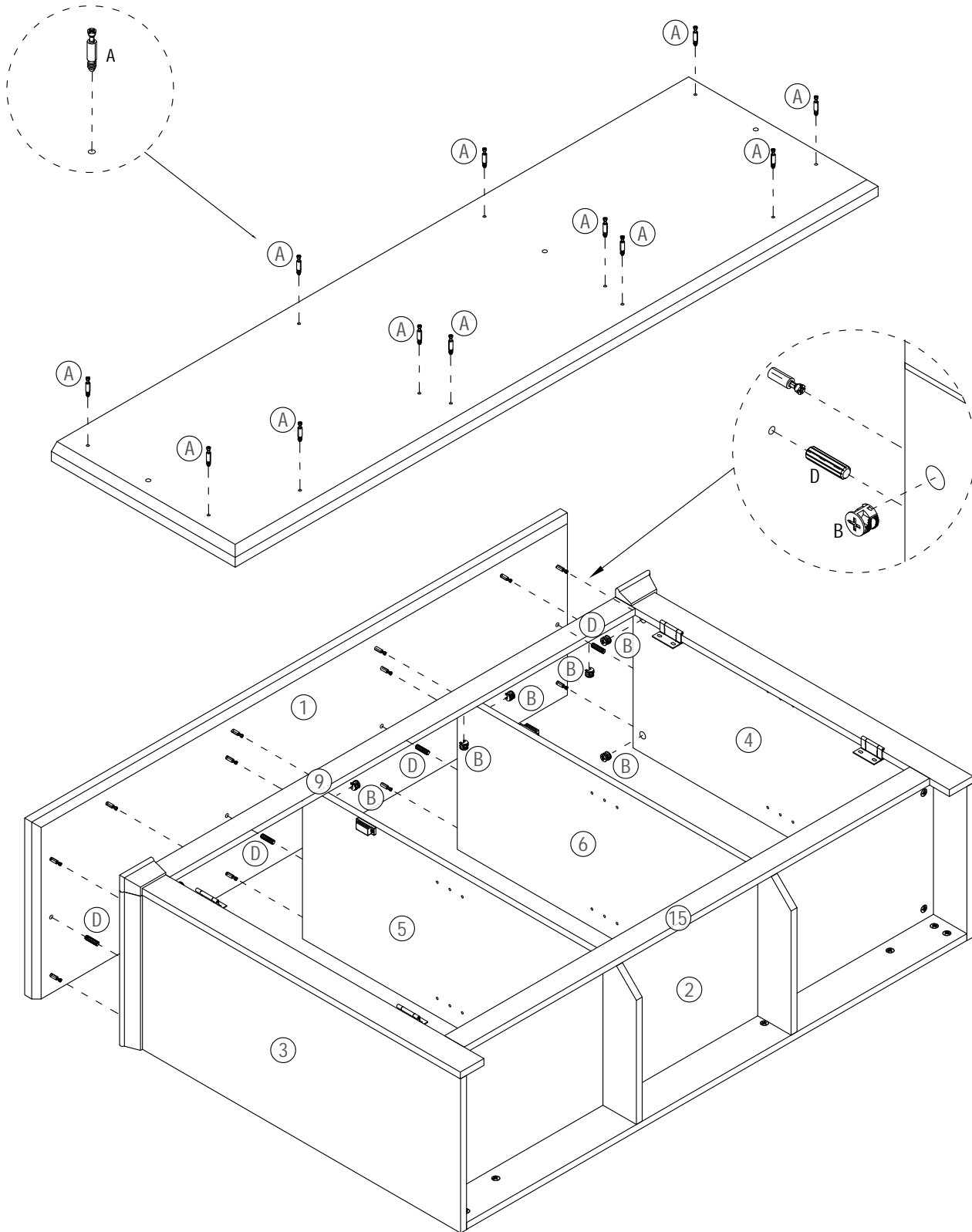


12 PCS

D

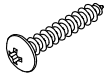


4 PCS

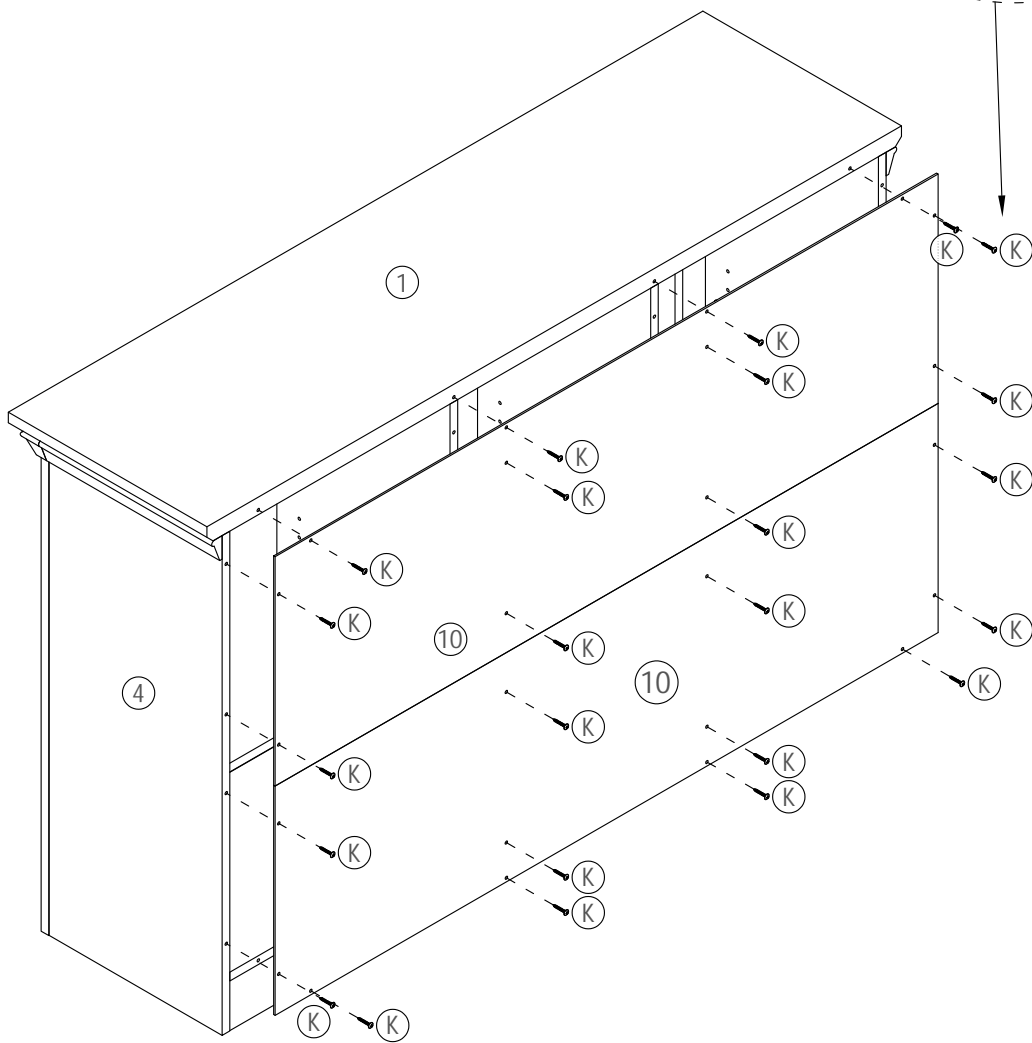
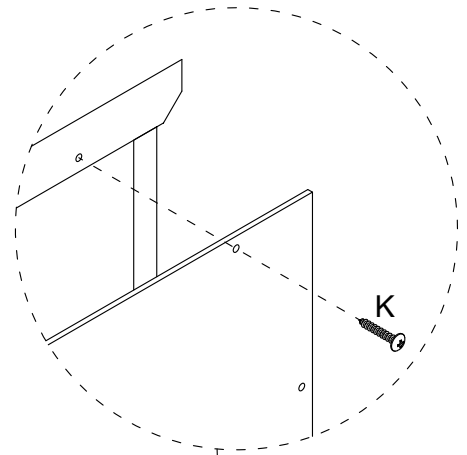


STEP10

(K)

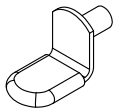


24 PCS

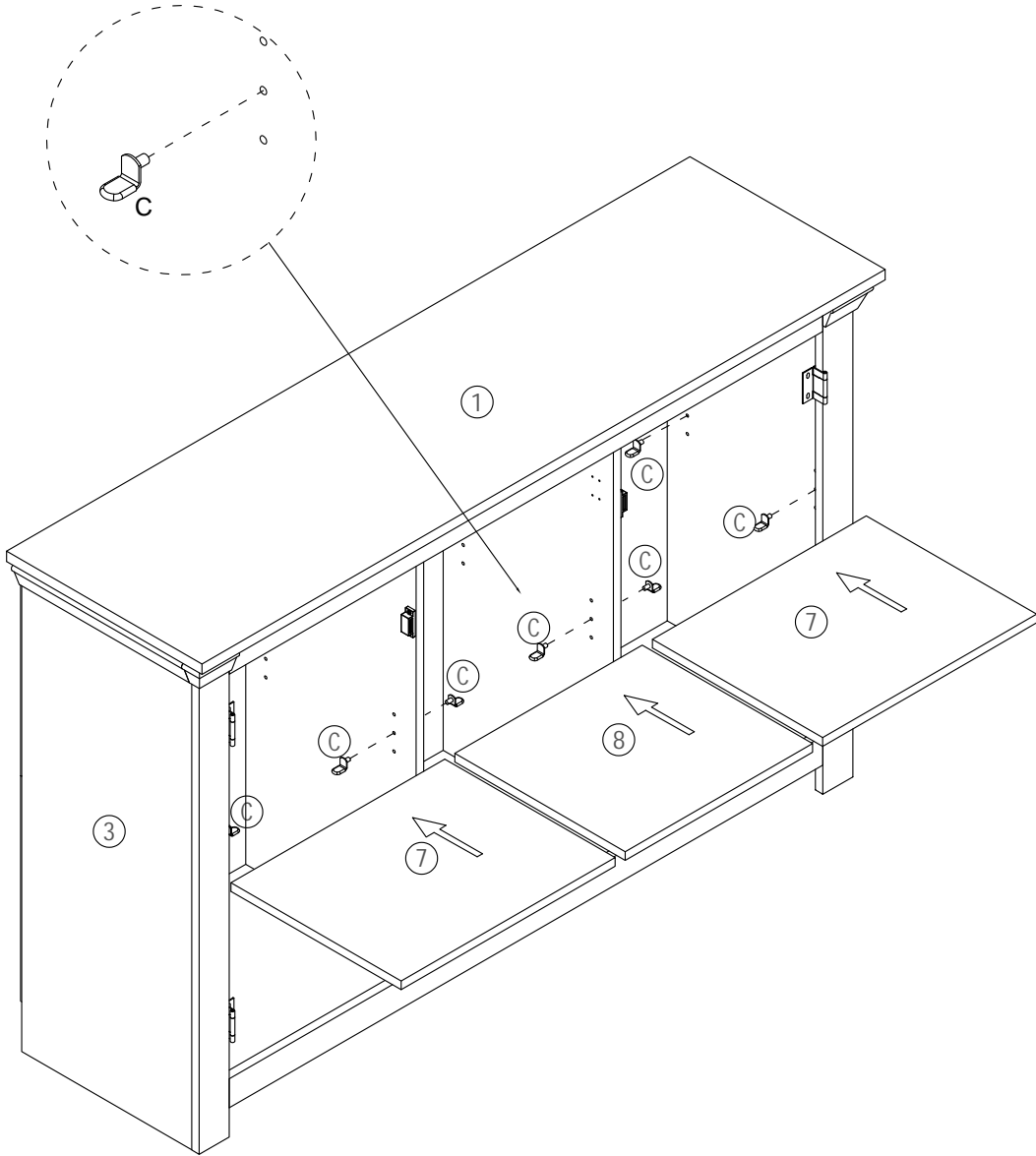


STEP11

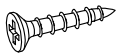



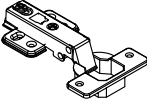
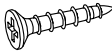
(C)

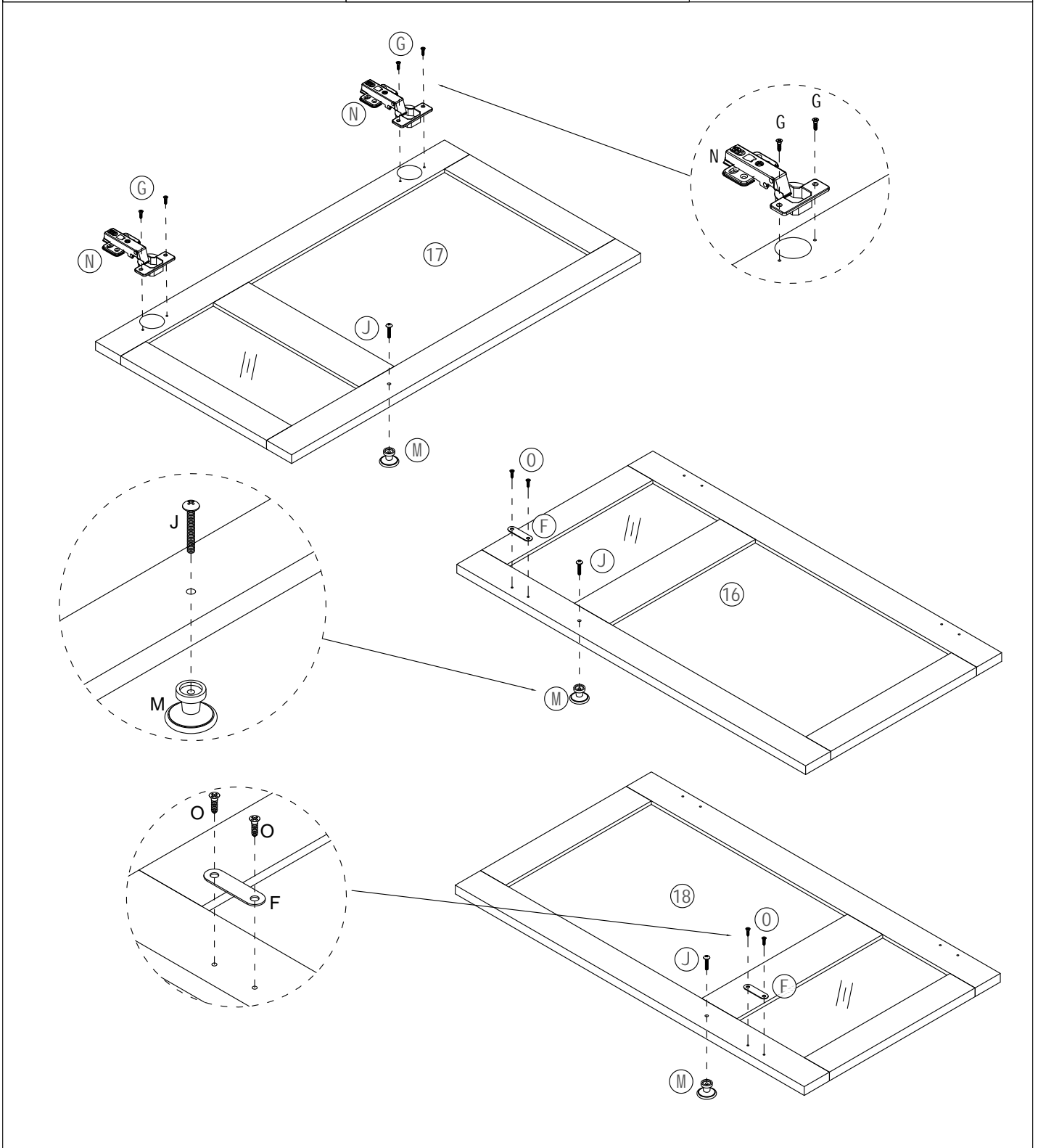


12 PCS



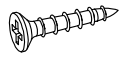
STEP12

<p>(G)  4 PCS</p>	<p>(F)  2 PCS</p>	<p>(J)  3 PCS</p>
<p>(M)  3 PCS</p>	<p>(N)  2 PCS</p>	<p>(O)  4 PCS</p>

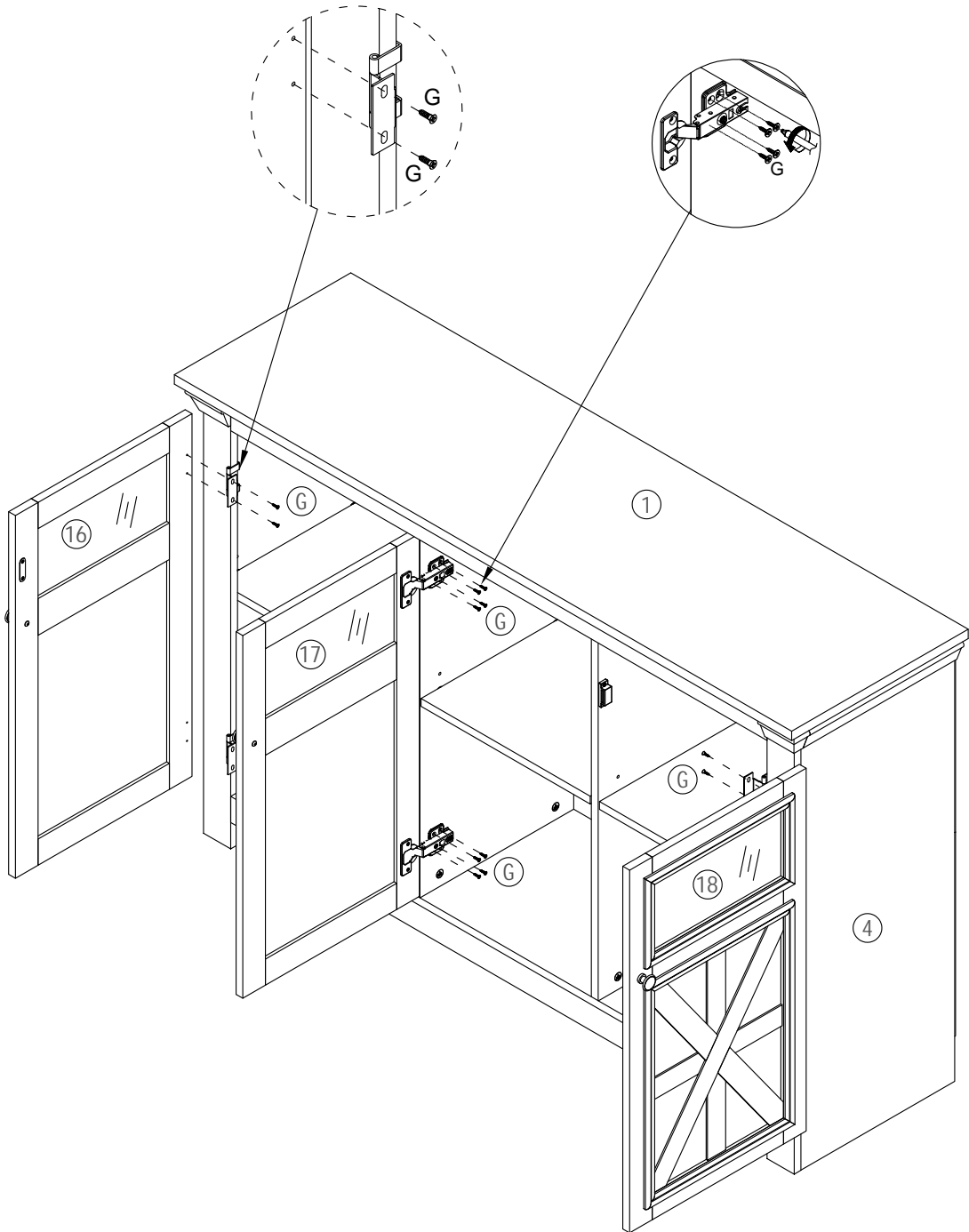


STEP13

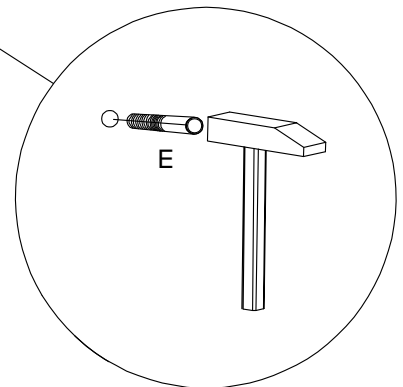
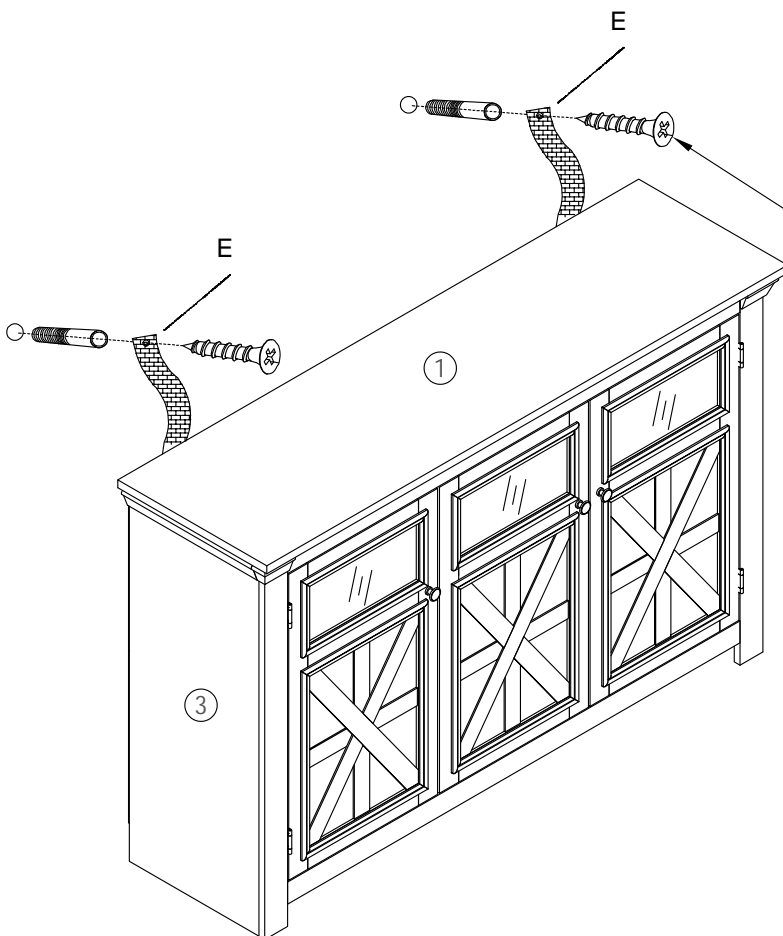
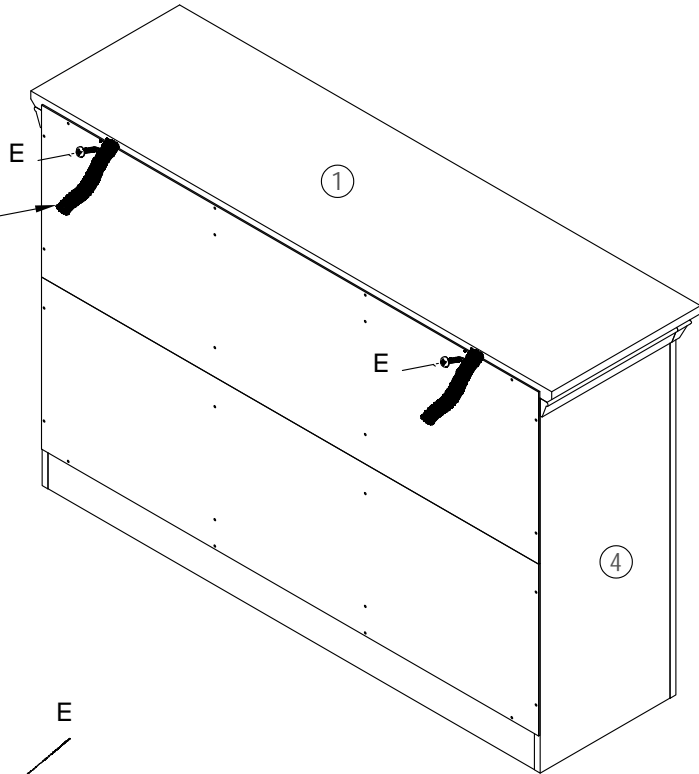
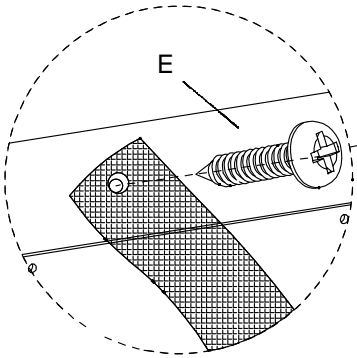
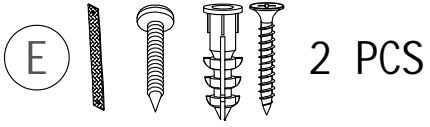
G



16 PCS

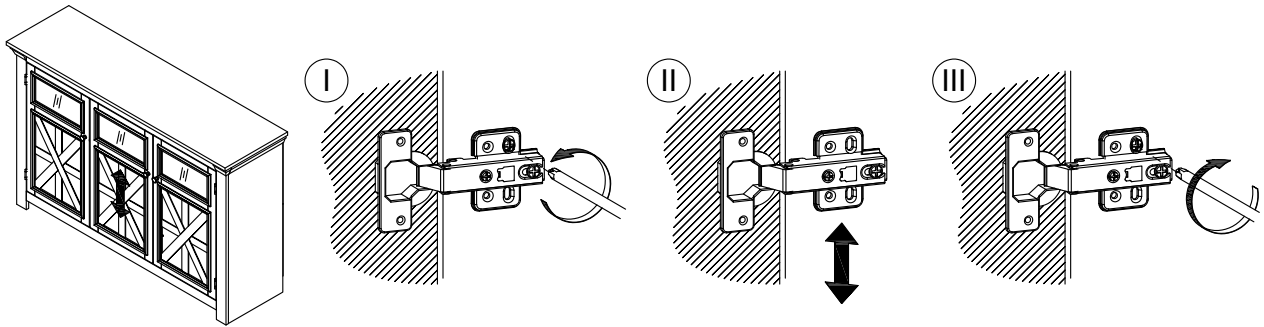


STEP14

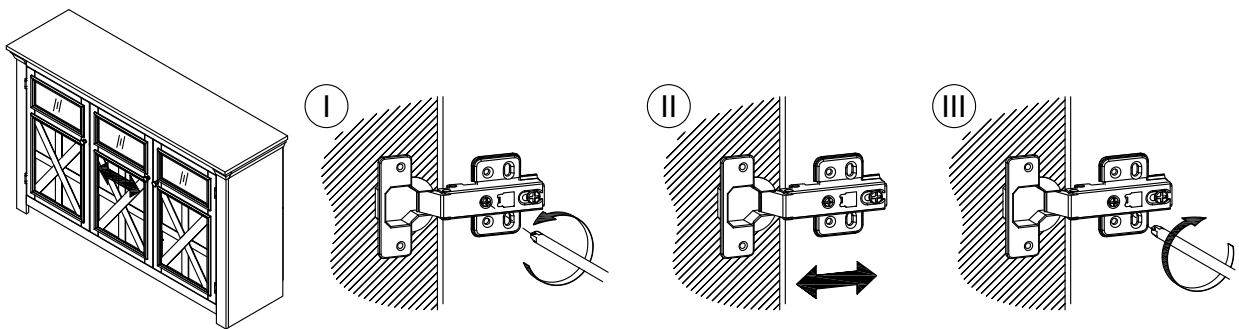


Adjust & Align Door Hinges

Up & Down Adjustment



Left & Right Adjustment



Forward & Back Adjustment

