

ALEKO

Galvanized Steel Chain Link Fence

INSTALLATION MANUAL














Note: Please read all instructions carefully before using this product.

Model: KITCLF4X50, KITCLF5X50,
KITCLF6X50

Parts List

Included Components:

Included Components:

Name/Description	Image	Name/Description	Image
<ul style="list-style-type: none"> Fence Fabric 1pc <i>In rolls of 50 Feet</i> 		<ul style="list-style-type: none"> End Posts 2pcs End, corner posts, 2 3/8" dia. 16 Gauge Use as required. 	
<ul style="list-style-type: none"> Line Posts 4 pcs 2 3/8" dia. 16 Gauge Line post 		<ul style="list-style-type: none"> Brace Bands 2pcs Use 1 per junction of top rail and corner post 2pcs 	
<ul style="list-style-type: none"> Top Rail 7pcs 1 3/8" dia. 17 Gauge 		<ul style="list-style-type: none"> End Top Rail 2pcs 1 3/8" dia. 17 Gauge 	
<ul style="list-style-type: none"> Top Rail Sleeve 1pc 1 needed for every top rail joint 			
<ul style="list-style-type: none"> Tension Bar 2pcs 1 for each end/gate post, 2 per corner post 		<ul style="list-style-type: none"> Carriage Bolts (10pcs or 12pc) 5/16" x 1 1/4" Use 1 per Tension or Brace Band, one bag 	
<ul style="list-style-type: none"> Tension Band 8pcs for 4ft kit and 5ft kit 10pcs for 6ft Use 4 or 5 per Tension Bar or 1 per foot of fence height 			
<ul style="list-style-type: none"> DIY line post 2 3/8" dia. 16 Gauge Line post 6 pcs for DIY 5ft kit and 6ft kit 			

Additionally, you will need quick-set cement and the tools to mix and pour it.

Total parts needed will vary per project. Email
hello@aleko.com with any questions
about your specific needs.

How to Install Chain Link Fence:

Beginning Your Installation

Important Planning!
Confirm all Local building & safety codes starting your project."

Note: Before conducting any digging, always call your local DigAlert 811 line.

Step 1 - Survey Property Lines

- Locate your property's boundary lines.
- It is recommended that all posts be set approximately 4" inside the property line so that concrete footings do not encroach onto any adjoining property.

Step 2 - Locate and Set Terminal Posts

- Measure the overall length of your planned fence to determine how many feet of chain-link fabric and top rail will be required
- Dig terminal post holes approximately 8" in diameter and 30" deep, with sloping sides. The exact diameter and depth will be determined by local weather and soil conditions (Figure 1).
- Make a mark on the posts 30" from the bottom that can be used to align with ground level when setting.
- Set posts with concrete once properly positioned.

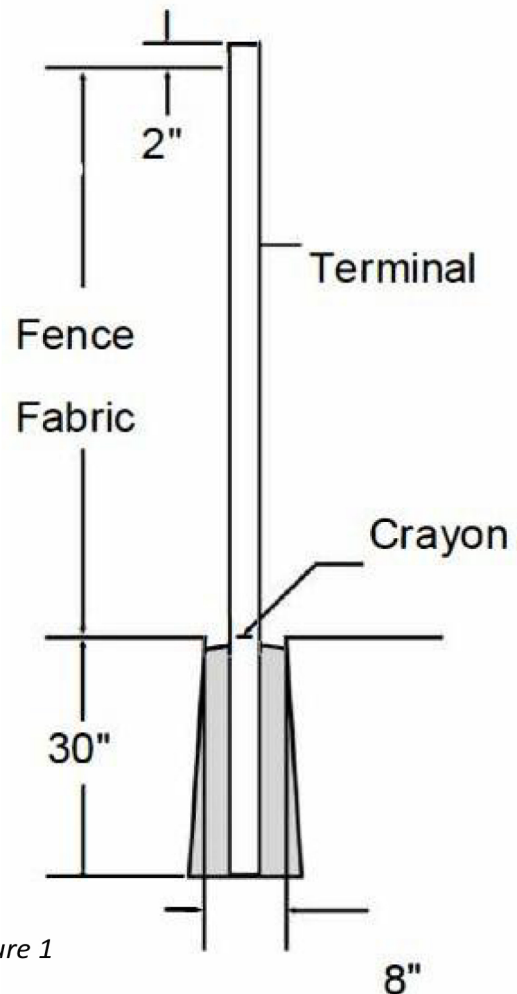
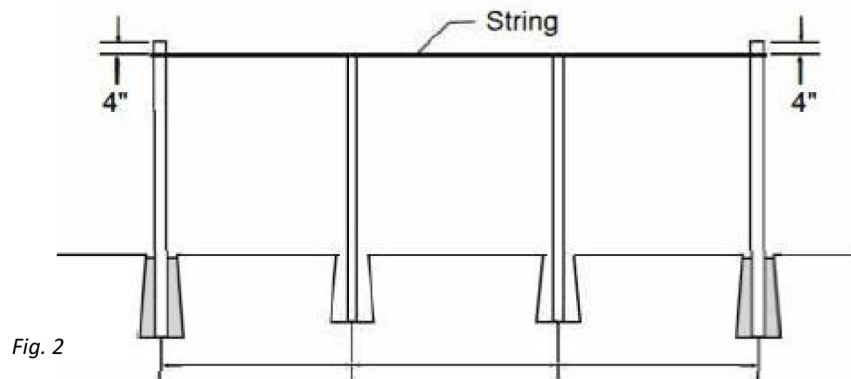


Figure 1

Installation Cont'd:

Step 3 - Locate and Set Line Posts

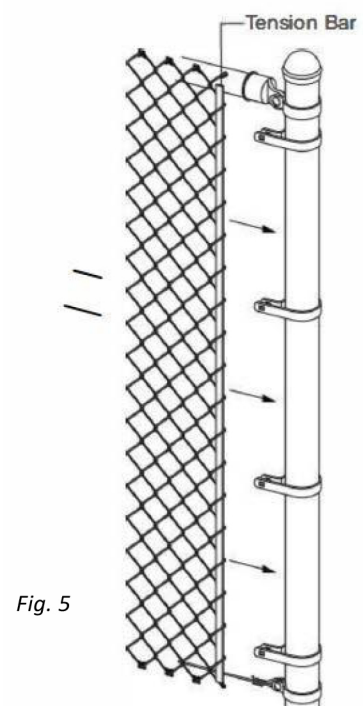
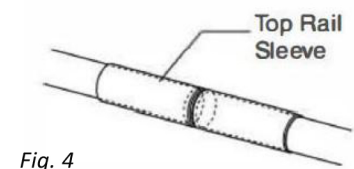
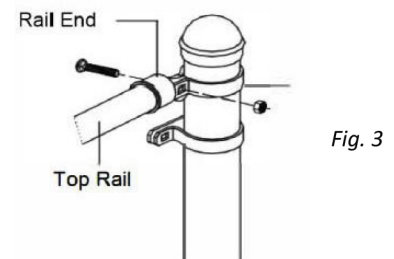
- After the concrete around the terminal posts has hardened, stretch a string tight between the terminal posts. The string should be 4" below the top of the terminal posts (Fig. 2).



- Dig the post holes and set the line posts. Before concrete begins to set, adjust post height by moving post up or down. Top of the line posts should be even with the string. Check with level to make sure posts are straight.

Step 4 - Apply Top Rail

- Attach loop caps to line posts.
- Insert one length of top rail pipe through the eye-top closest to one of the terminal post.
- Slide a rail end onto the end of the top rail and attach it to a terminal post by using the brace band (Fig 3).
- Secure the rail end to the brace band with a carriage bolt.
- Continue by attaching top rails together. If a swedged top rail is not used, connect the rail ends together by using top rail sleeve (Fig. 4).
- Upon reaching the other terminal post, measure carefully and cut the top rail to fit tightly into the rail end. Secure rail end to the terminal post with brace band and carriage bolt.



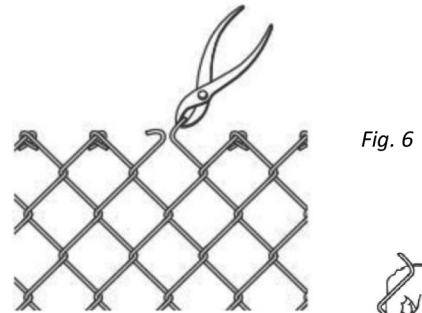
Step 5 - Hang Chain Link Fabric

- Unroll the chain link fabric on the ground along the fence line. Slide tension bar through the last link on the chain link fabric.
- Stand the fabric up and lay it against the posts.
- Fasten the tension bar to the terminal post with tension bands (Fig. 5).
- Install carriage bolts with the head to the outside of the fence. Walk along the fence and take the slack out.
- Loosely attach fabric to top rail with a few wire ties.

Installation Cont'd:

Connecting Two Sections of Chain Link Mesh

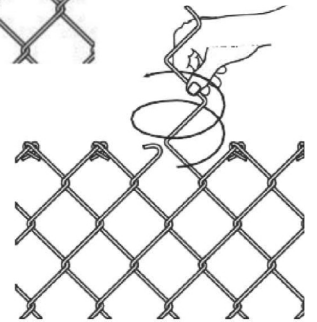
- Remove a single strand of wire from one of the sections of fence (Fig. 6).
- Place the two sections of fence next to each other.
- Join the two sections by winding the loose strand down through the fence.
- Join and tighten the knuckles at bottom and top.



To remove excess chain link fence fabric:

- Untie both top and bottom ends of fence.
- Twist the wire in a corkscrew fashion until the fence comes apart (Fig. 7).

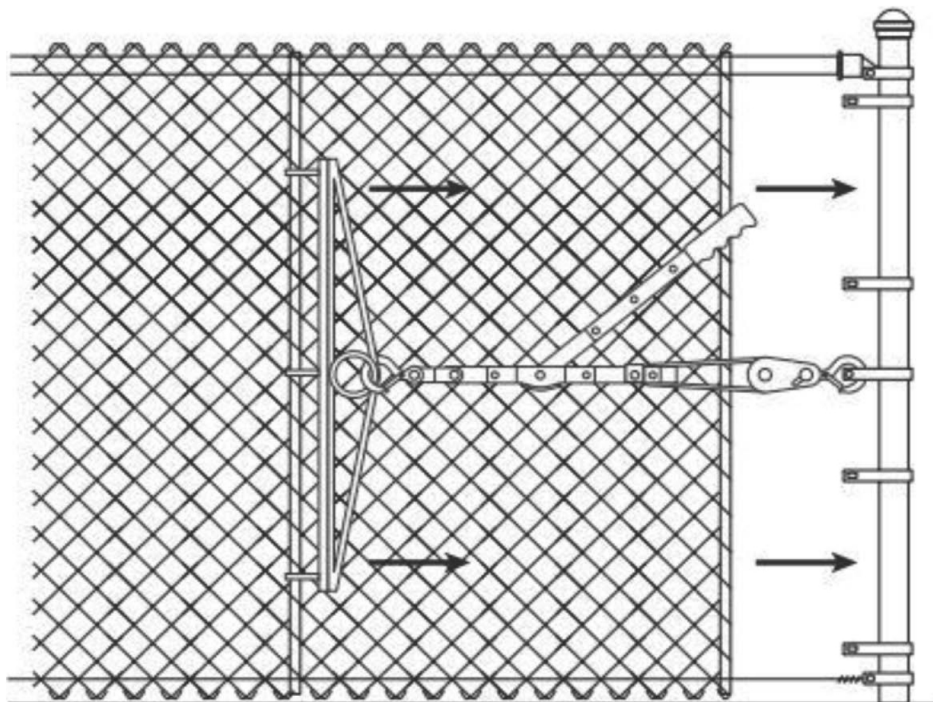
Fig. 7



Step 6 - Stretching Fence Fabric

- Temporarily insert a tension bar about 3 feet inside the unattached end of fabric.
- Securely fasten one end of the fence stretcher to the tension bar and the other end to the terminal post. Stretch the fabric (Fig. 8).
- Remove the temporary tension bar.
- Adjust the fabric to exact length by adding or removing wire as shown in figures 15 and 16.
- Insert a tension bar at the end of the fabric and connect to tension bands on terminal post.

Fig. 8



ALEKO®

8307 S 192nd St Kent, WA 98032

Phone: 833-926-2323

hello@aleko.com

www.ALEKO.com