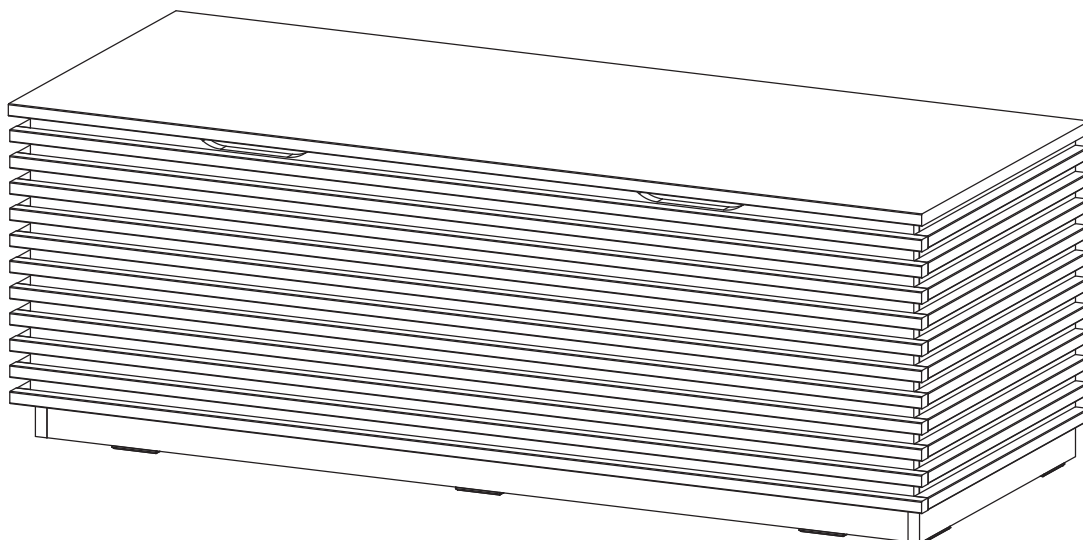


ASSEMBLY INSTRUCTIONS

EEI-6057

V0.05.18.22



Questions? Contact us!

609.256.9000 • cs@modway.com
www.modway.com

*modway



Read through all of the instructions before starting



Care instructions are listed in the last step of this manual



Approx. 60 minutes assembly time



Make sure you have all parts and components before discarding any packing materials



2 people recommended for assembly

Only use hand tools to assemble this item. Do not use power tools. Do not tighten bolts or screws completely until all hardware is lined up and inserted into the holes.

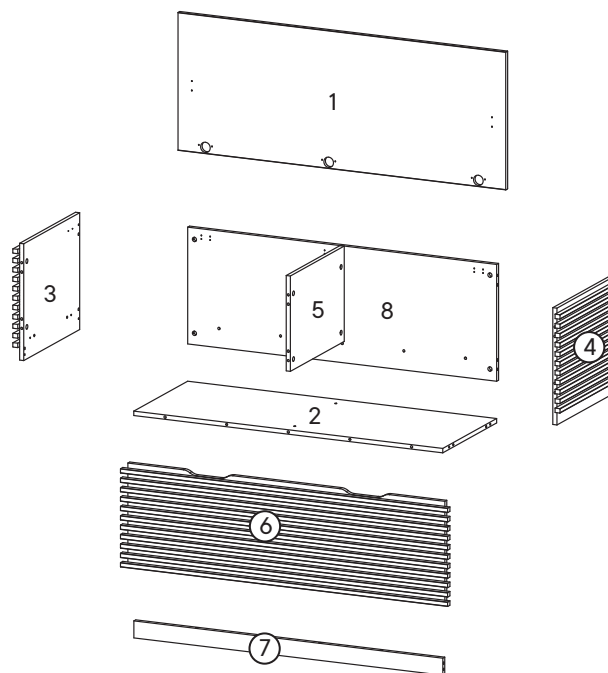
Do not over-tighten screws and bolts to avoid stripping the hardware or cracking the item.

Assemble your item on a flat, carpeted area, with plenty of space to work. This will prevent damage and scratches to your floors or the item while you're assembling the product.

Keep all components and packaging out of reach of children or animals to avoid risk of choking or suffocation.

Furniture components:

1	Top Board	x1
2	Bottom Board	x1
3	Side Board Left	x1
4	Side Board Right	x1
5	Center Board	x1
6	Front Board	x1
7	Bottom Skirt	x1
8	Back Board	x1



Provided hardware:

A		Cam Bolt $\varnothing 6 \times 35$ mm	x22
B		Cam Lock $\varnothing 15$ mm	x22
C		Wood Dowel $\varnothing 8 \times 30$ mm	x26
D		Allen Key	x2
E		Screw M 7 x 50 mm	x4
F		Silicon Bumper	x5
G		Screw M 3.5 x 13 mm	x8
H		Screw M 4.5 x 12.5 mm	x18
I		Lid Stays	x2

J		Screw Cap $\varnothing 15$ mm	x10
K		Leg	x10
HS35A		Hinge	x3

What you need:

Phillips Head Screwdriver

Wait!

Missing parts or hardware? Need assistance?
Contact us before returning your item. We're here to help!
609.256.9000 • cs@modway.com

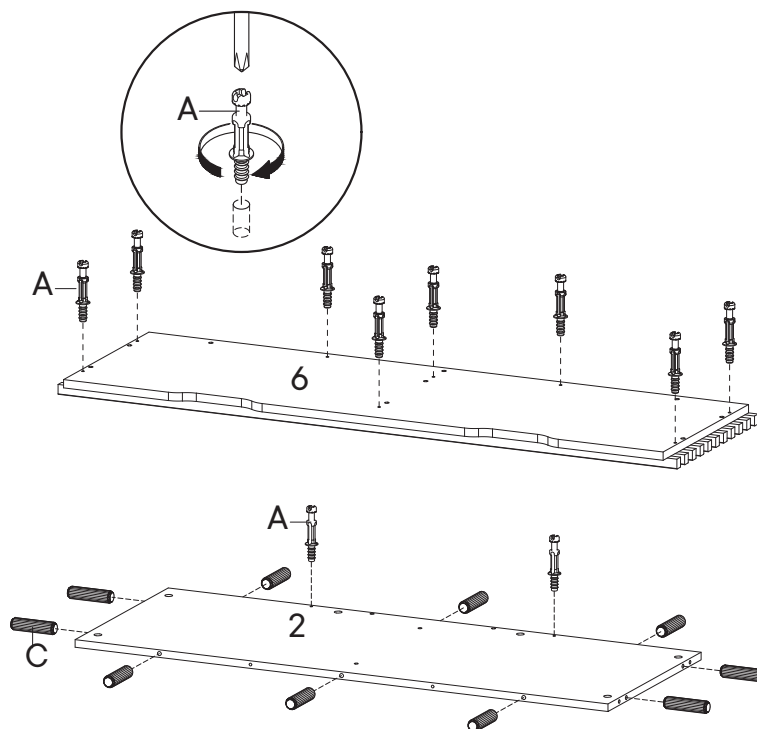
Step 1

HARDWARE

- A** Cam Bolt Ø6 x 35 mm x10
- C** Wood Dowel Ø8 x 30 mm x10

COMPONENTS

- 2** Bottom Board x1
- 6** Front Board x1



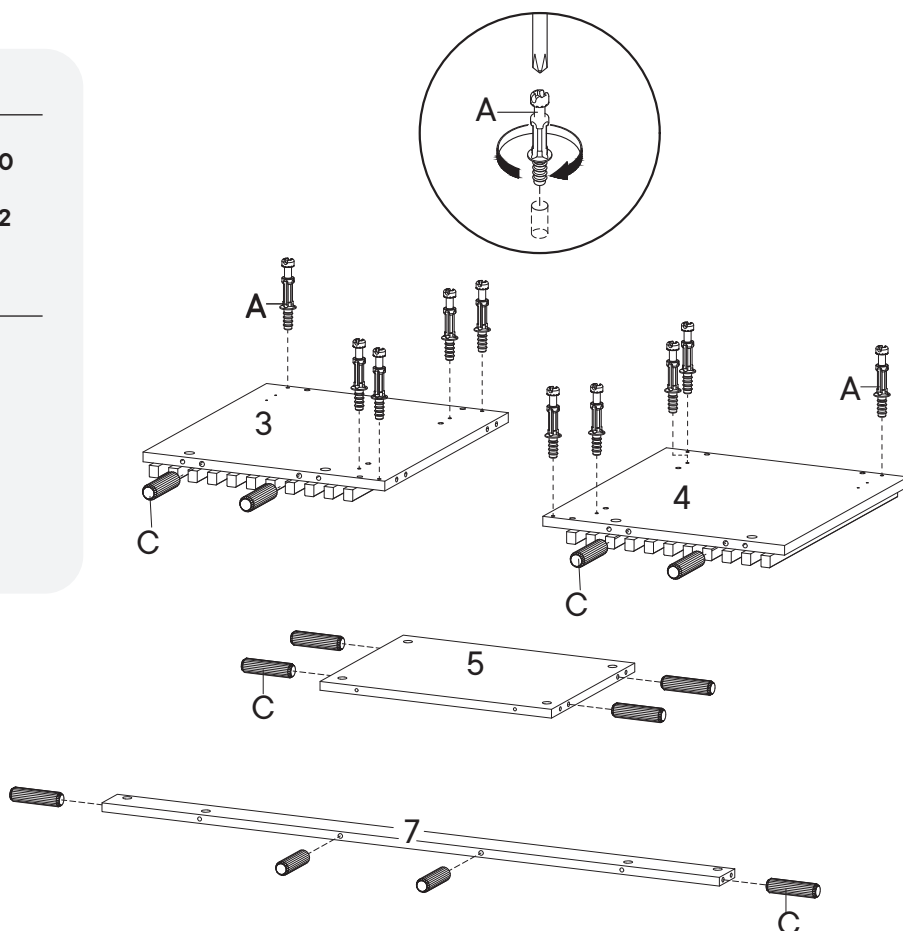
Step 2

HARDWARE

- A** Cam Bolt Ø6 x 35 mm x10
- C** Wood Dowel Ø8 x 30 mm x12

COMPONENTS

- 3** Side Board Left x1
- 4** Side Board Right x1
- 5** Center Board x1
- 7** Bottom Skirt x1



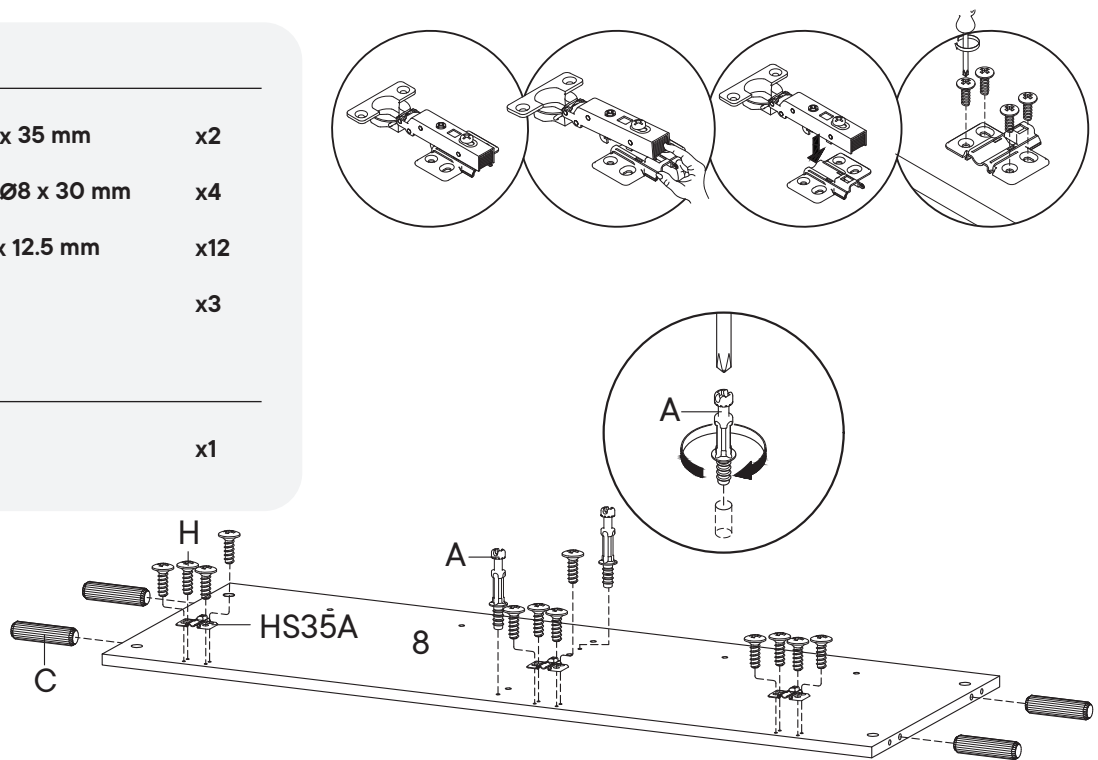
Step 3

HARDWARE

- A** Cam Bolt $\varnothing 6 \times 35$ mm x2
- C** Wood Dowel $\varnothing 8 \times 30$ mm x4
- H** Screw M 4.5 x 12.5 mm x12
- HS35A** Hinge x3

COMPONENTS

- 8** Back Board x1



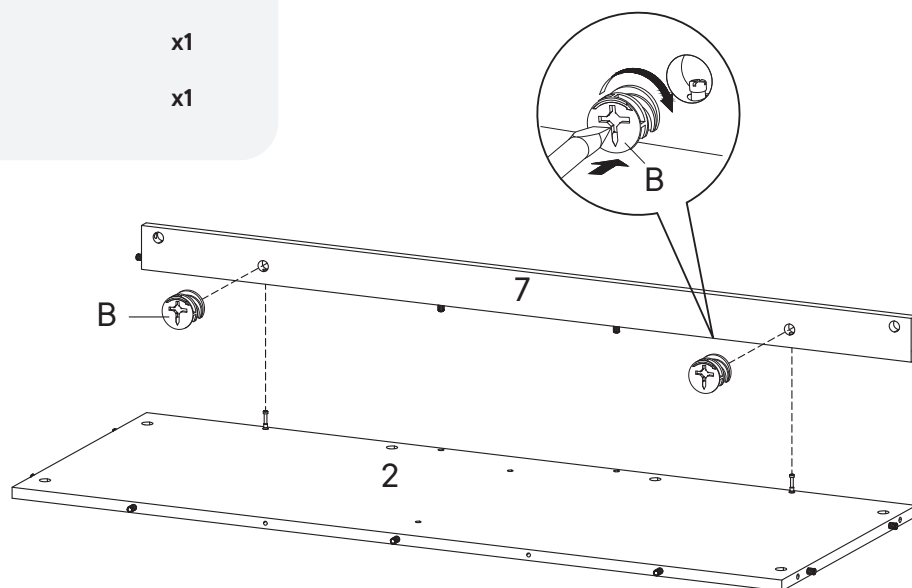
Step 4

HARDWARE

- B** Cam Lock $\varnothing 15$ mm x2

COMPONENTS

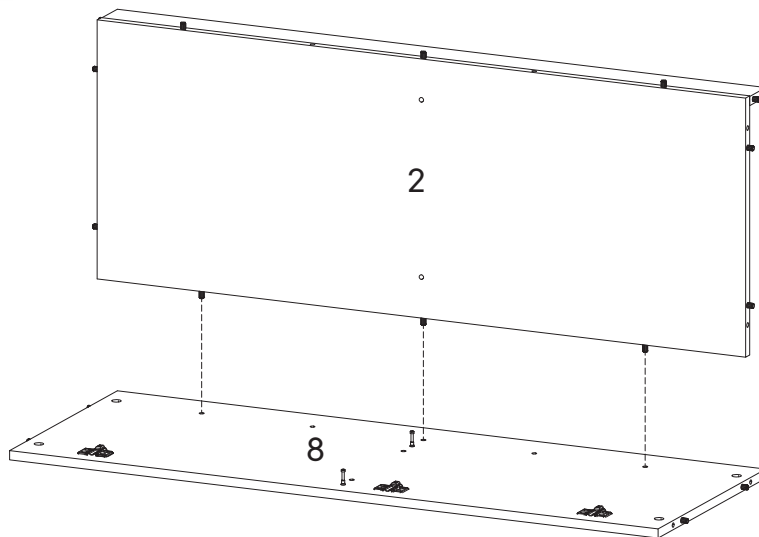
- 2** Bottom Board x1
- 7** Bottom Skirt x1



Step 5

COMPONENTS

- 8 Back Board x1



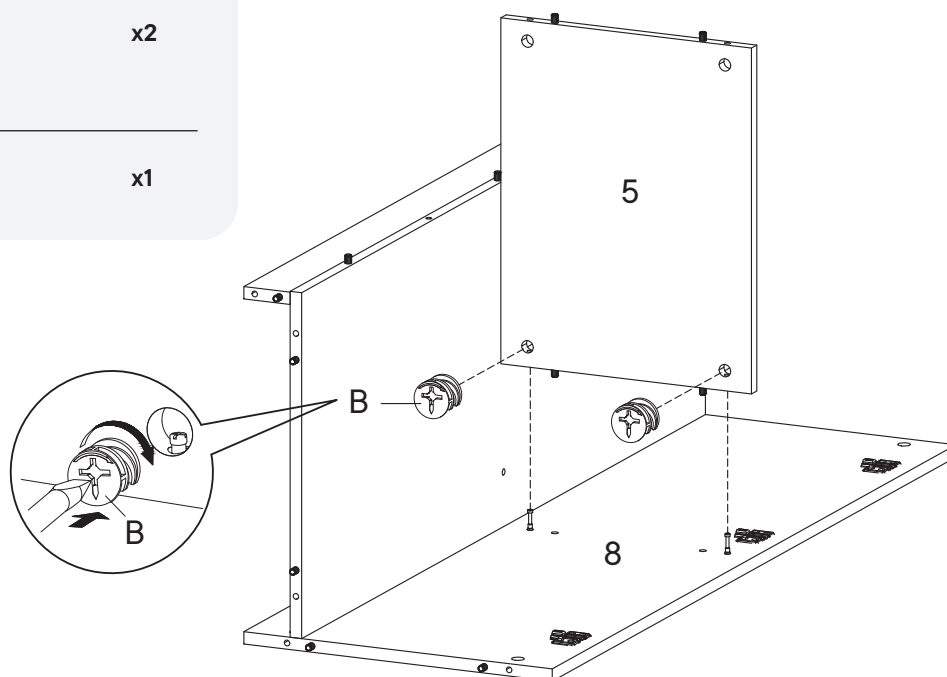
Step 6

HARDWARE

- B Cam Lock Ø15 mm x2

COMPONENTS

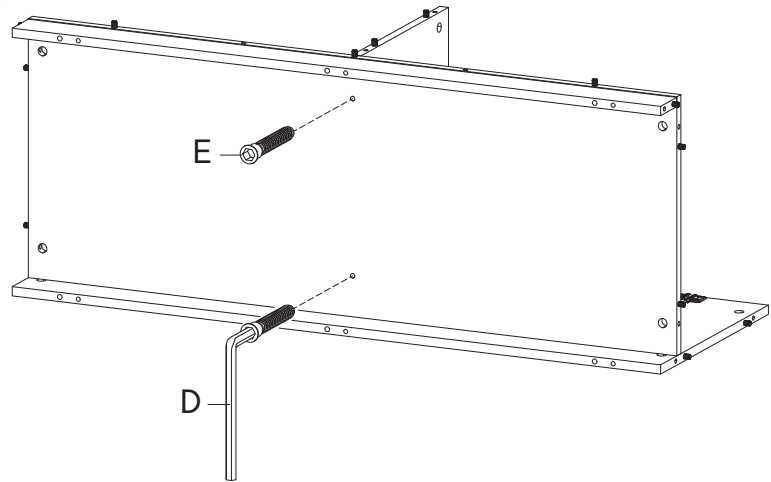
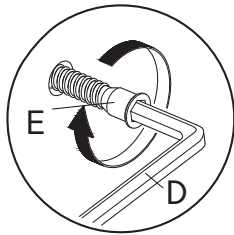
- 5 Center Board x1



Step 7

HARDWARE

- D** Allen Key x1
- E** Screw M 7 x 50 mm x2



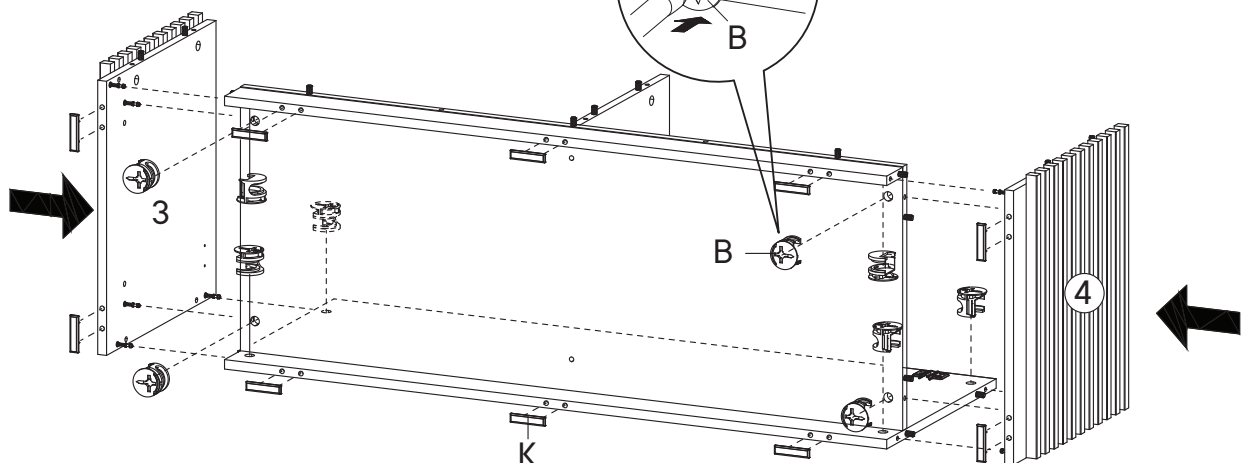
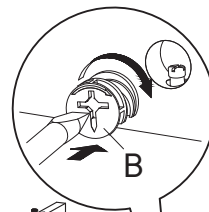
Step 8

HARDWARE

- B** Cam Lock Ø15 mm x10
- K** Leg x10

COMPONENTS

- 3** Side Board Left x1
- 4** Side Board Right x1



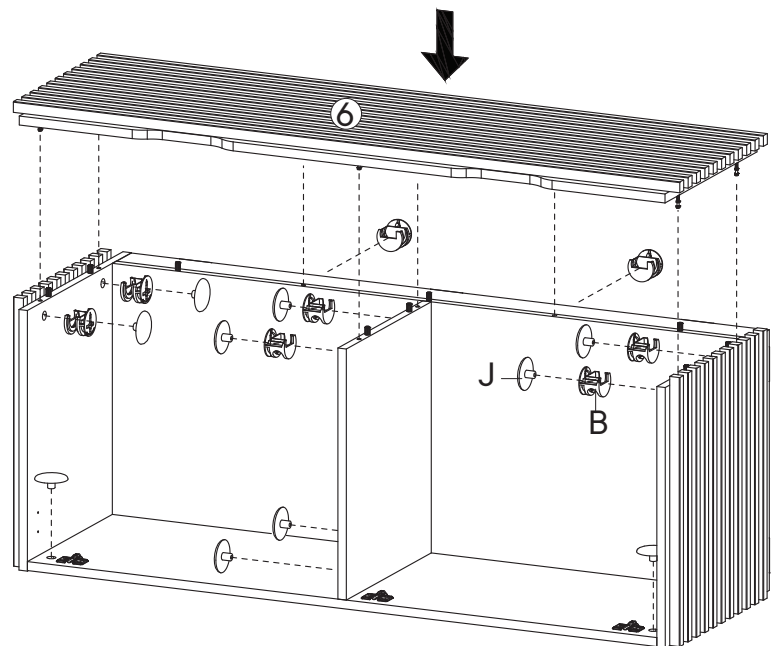
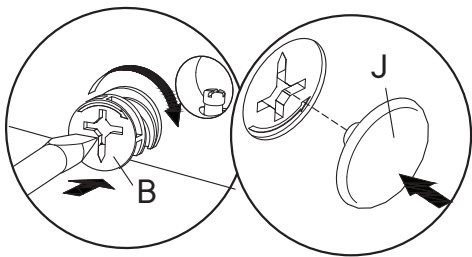
Step 9

HARDWARE

- B** Cam Lock Ø15 mm x8
- J** Screw Cap Ø15 mm x10

COMPONENTS

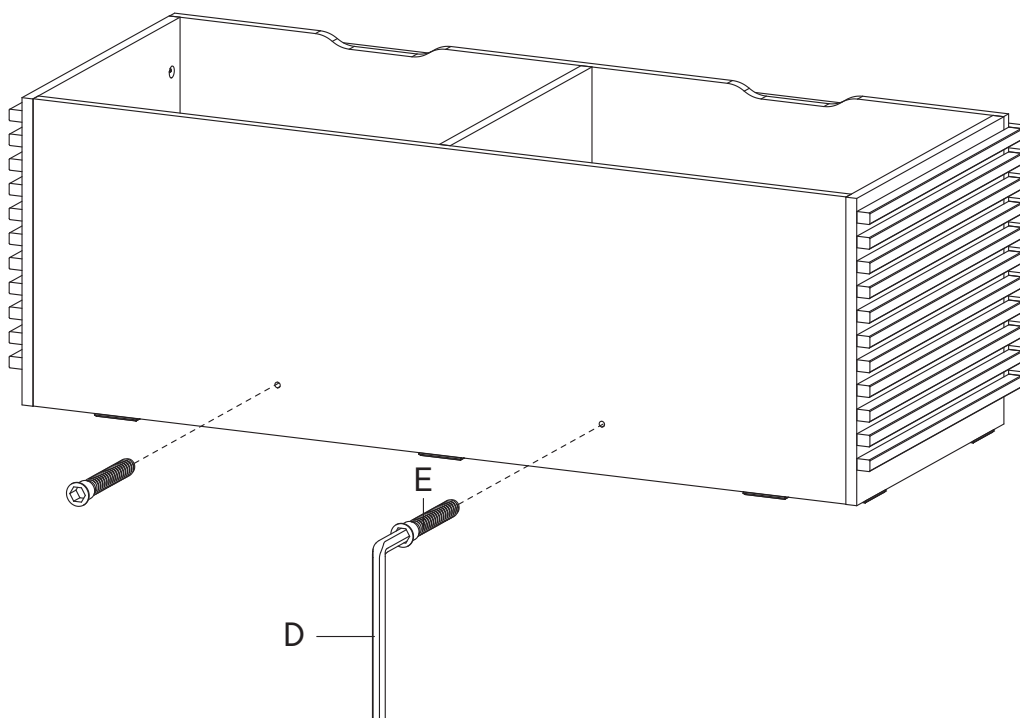
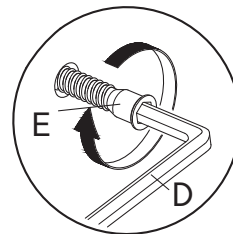
- 6** Front Board x1



Step 10

HARDWARE

- D** Allen Key x1
- E** Screw M 7 x 50 mm x2



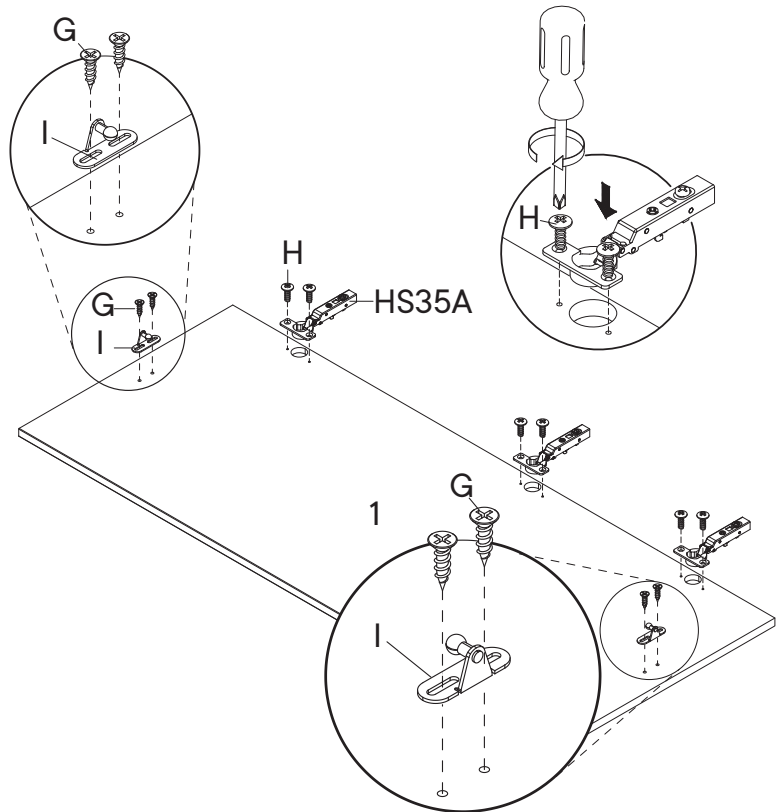
Step 11

HARDWARE

- G** Screw M 3.5 x 13 mm x4
- H** Screw M 4.5 x 12.5 mm x6
- I** Lid Stays x2
- HS35A** Hinge x3

COMPONENTS

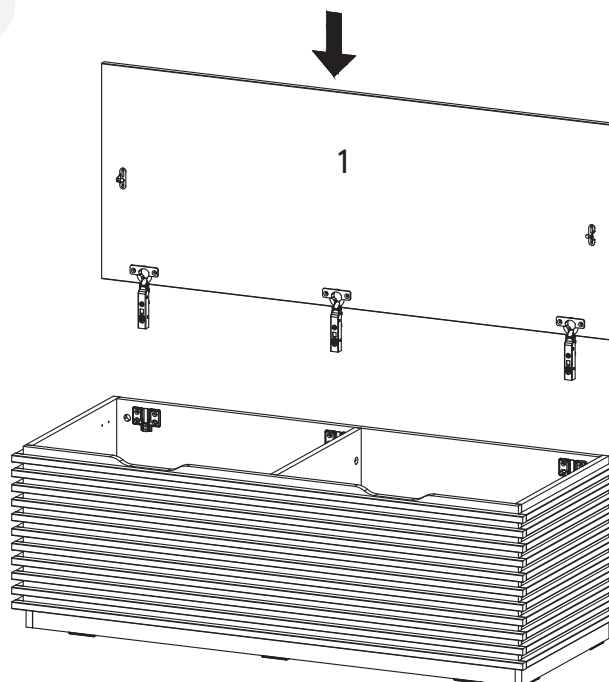
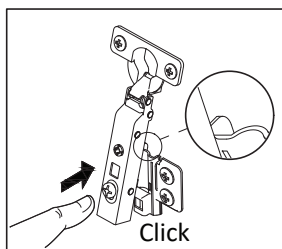
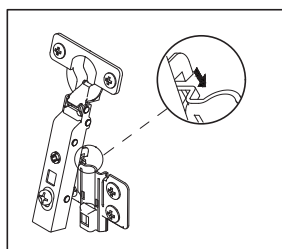
- 1** Top Board x1



Step 12

COMPONENTS

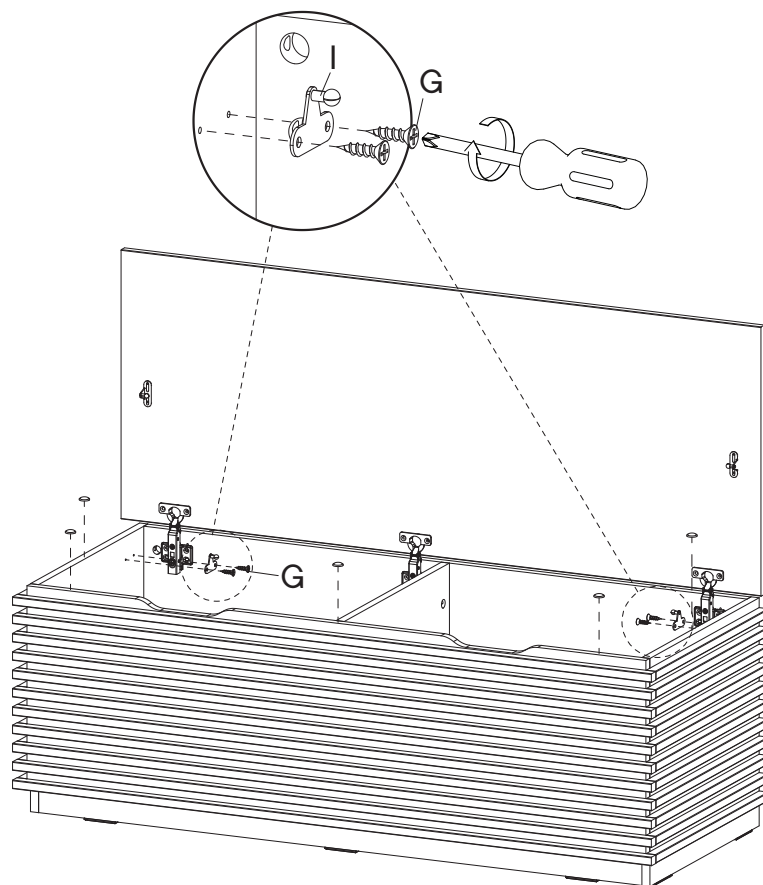
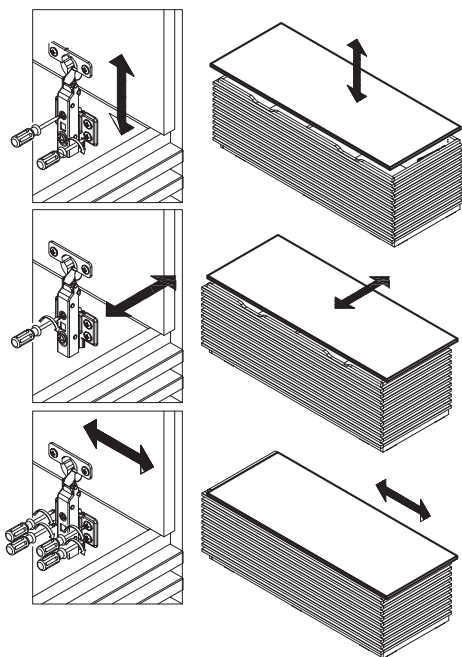
- 1** Top Board x1



Step 13

HARDWARE

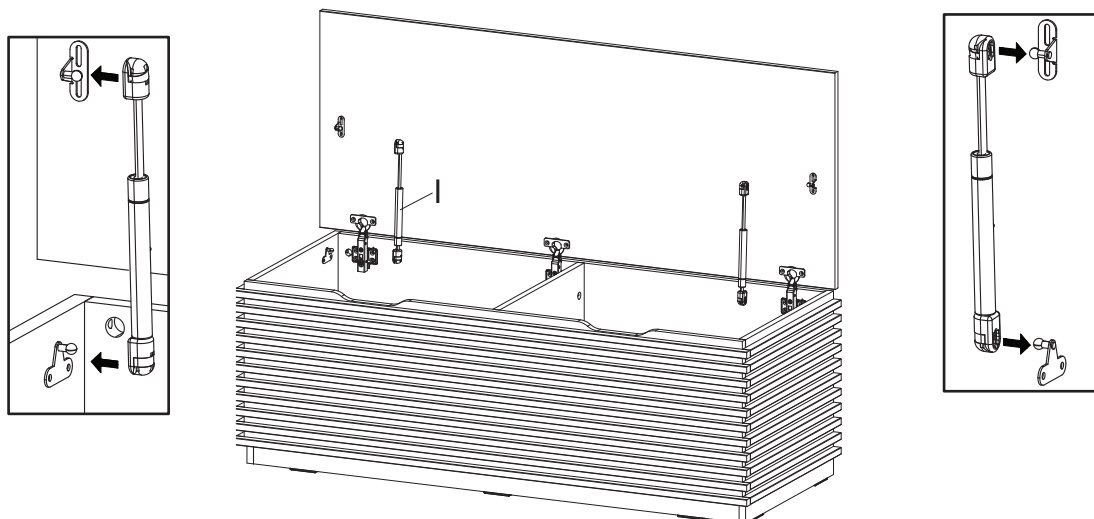
- F** Silicon Bumper x5
- G** Screw M 3.5 x 13 mm x4
- I** Lid Stays x2



Step 14

HARDWARE

- I** Lid Stays x2



Great job!

Storage bench assembly is complete.

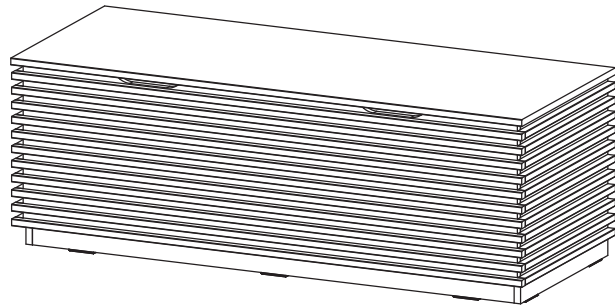
♥ CARING FOR YOUR ITEM

Indoor use only.

Not contract grade.

Clean using a non-abrasive cloth and a mild cleaner.

Never use harsh chemicals, as they could damage the finish or integrity of the item.



CONNECT WITH US!   

Tag us [@modway_furniture](#) and [#modway](#) for a chance to be featured.