

EN_IMPORTANT, RETAIN FOR FUTURE REFERENCE: READ CAREFULLY.

. THANK YOU FOR PURCHASE! .

FREE REPLACEMENT PARTS AVAILABLE!



---NEED HELP WITH YOUR FURNITURE?---

Scan the QR code to contact us!



If you're experiencing any issues—whether due to shipping, assembly, or any other reason
—we're here to help.
For any damaged or missing components, we're happy to provide FREE replacement parts.



WhatsApp

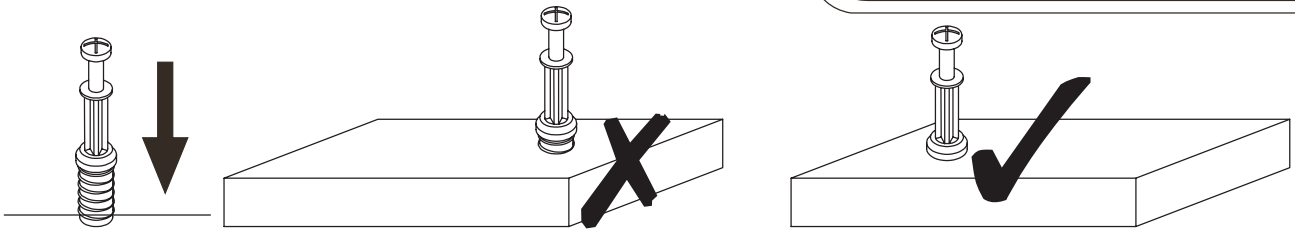
Email: service@furnlog.com

WANT TO CONTACT US THROUGH AMAZON?

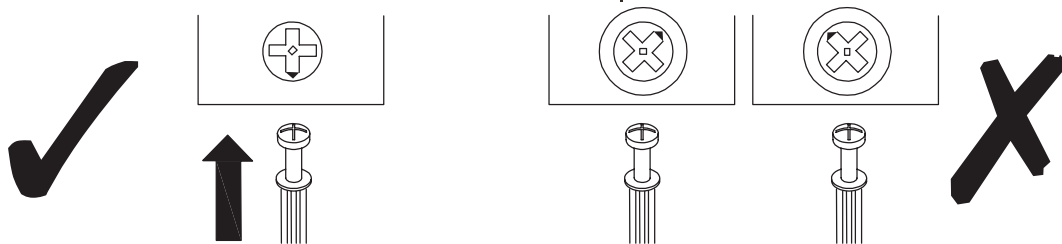
- ▶ Log in to your Amazon account.
- ▶ Go to “Your Orders” and locate your furniture order.
- ▶ Click on “Get Help with Order” to send us a message directly.

Our customer support team is ready to assist you and we will respond within
12-24 HOURS to resolve your concerns quickly!

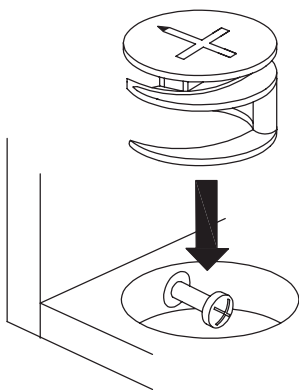
USING CAM LOCK AND QUICKFIT



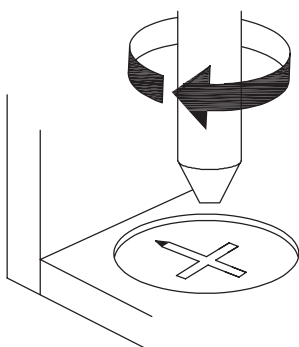
EN_QUICKFIT: Tighten quickfit until shoulder is flush with panel. Do not overtighten or undertighten.



EN_CAM LOCK: When fitting cam lock, ensure starting position is correct before you insert connecting quickfit.



EN_Quickfit head should be in the centre of the cam lock when the two panels are joined.
Cam lock should be inserted before quickfit.

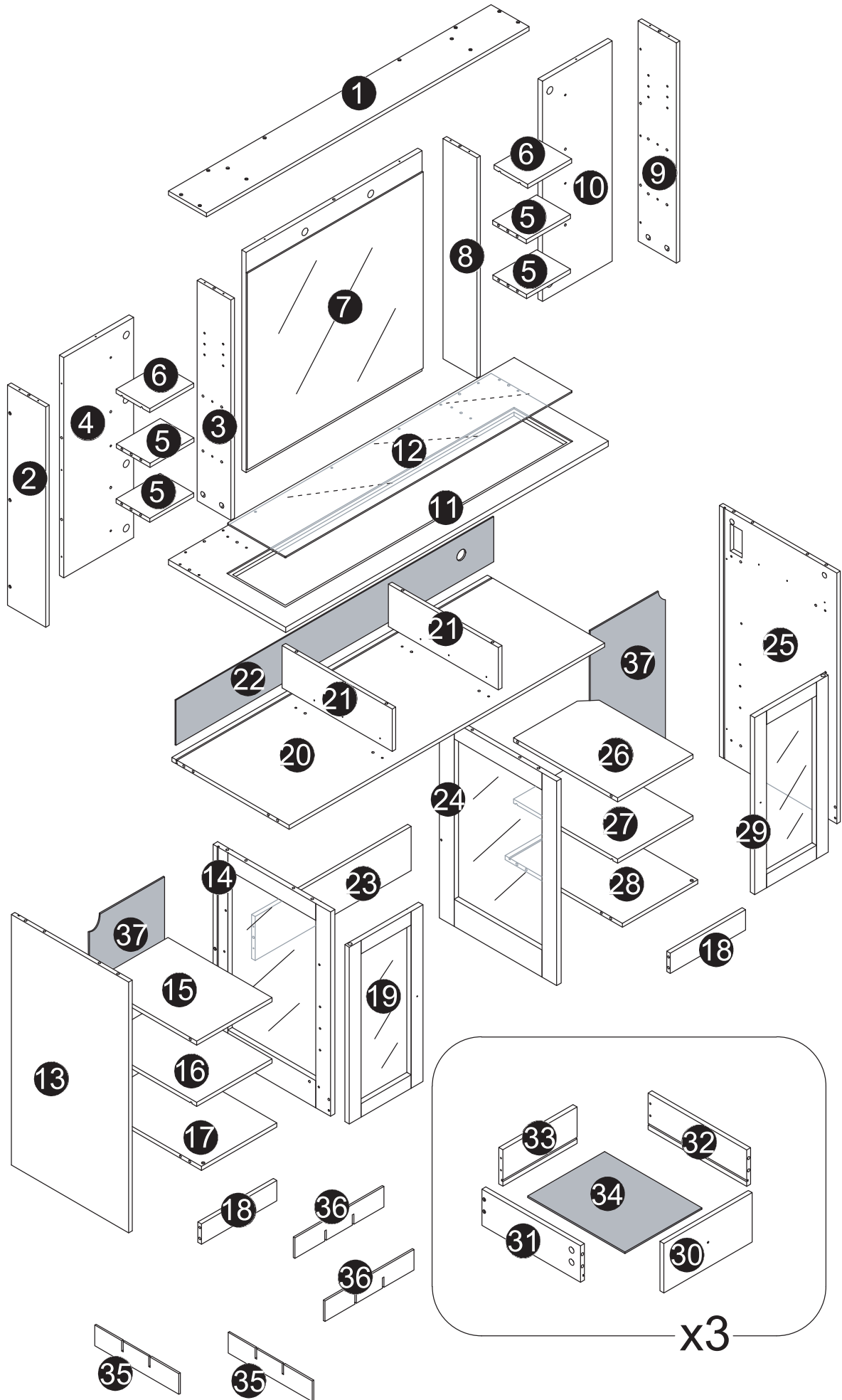


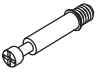







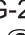




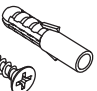

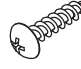







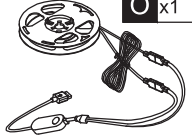



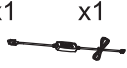
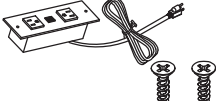
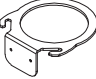




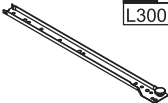
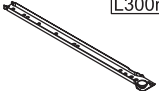
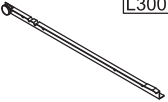
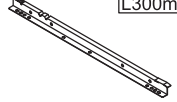
EN_Turn cam lock clockwise to tighten.

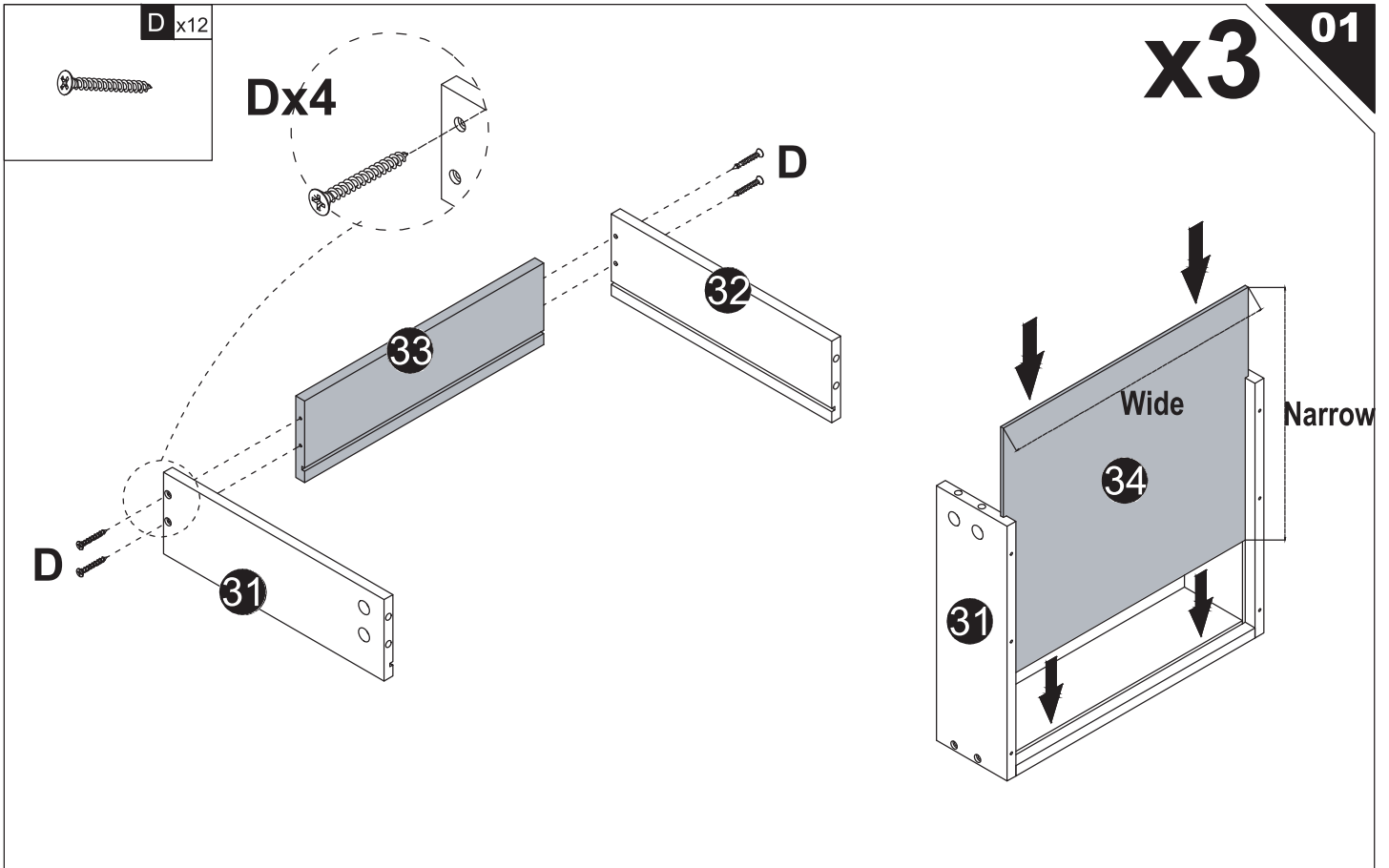
PACKING DELALS

NO.	PARTS	QTY	SPARE
①		x1	
②		x1	
③		x1	
④		x1	
⑤		x4	
⑥		x2	
⑦		x1	
⑧		x1	
⑨		x1	
⑩		x1	
⑪		x1	

NO.	PARTS	QTY	SPARE
⑫		x1	
⑬		x1	
⑭		x1	
⑮		x1	
⑯		x1	
⑰		x1	
⑱		x2	
⑲		x1	
⑳		x1	
㉑		x2	
㉒		x1	



 A x71 Ø6x35mm +2(spare)	 B x71 Ø15x10mm +2(spare)	 C x65 Ø6x30mm +3(spare)	 D x44 Ø4x35mm +3(spare)	 E x36 Ø3.5x12mm +3(spare)	 F-1	 F-2 x3					
 G-1	 G-2	 G x2 Ø4x14mm	 H-1	 H x18 Ø3x16mm +2(spare)	 I-1	 I-2	 I x2	 J x4 Ø4x12mm	 K x16	 L-1	 L-2 x2 Ø3x16mm
 M-1	 M-2 x6 Ø3.5x12mm	 N-1	 N-2 x8 Ø4x12mm +1(spare)	 O x1	 P-1 x10	 P-2 x10	 P-3 x1	 P-4 x1	 R x1		
 S x1	 T x26 +2(spare)	 U x4	 V-1	 V-2 x2							
 CL x3 L300mm	 CR x3 L300mm	 DL x3 L300mm	 DR x3 L300mm								



x3

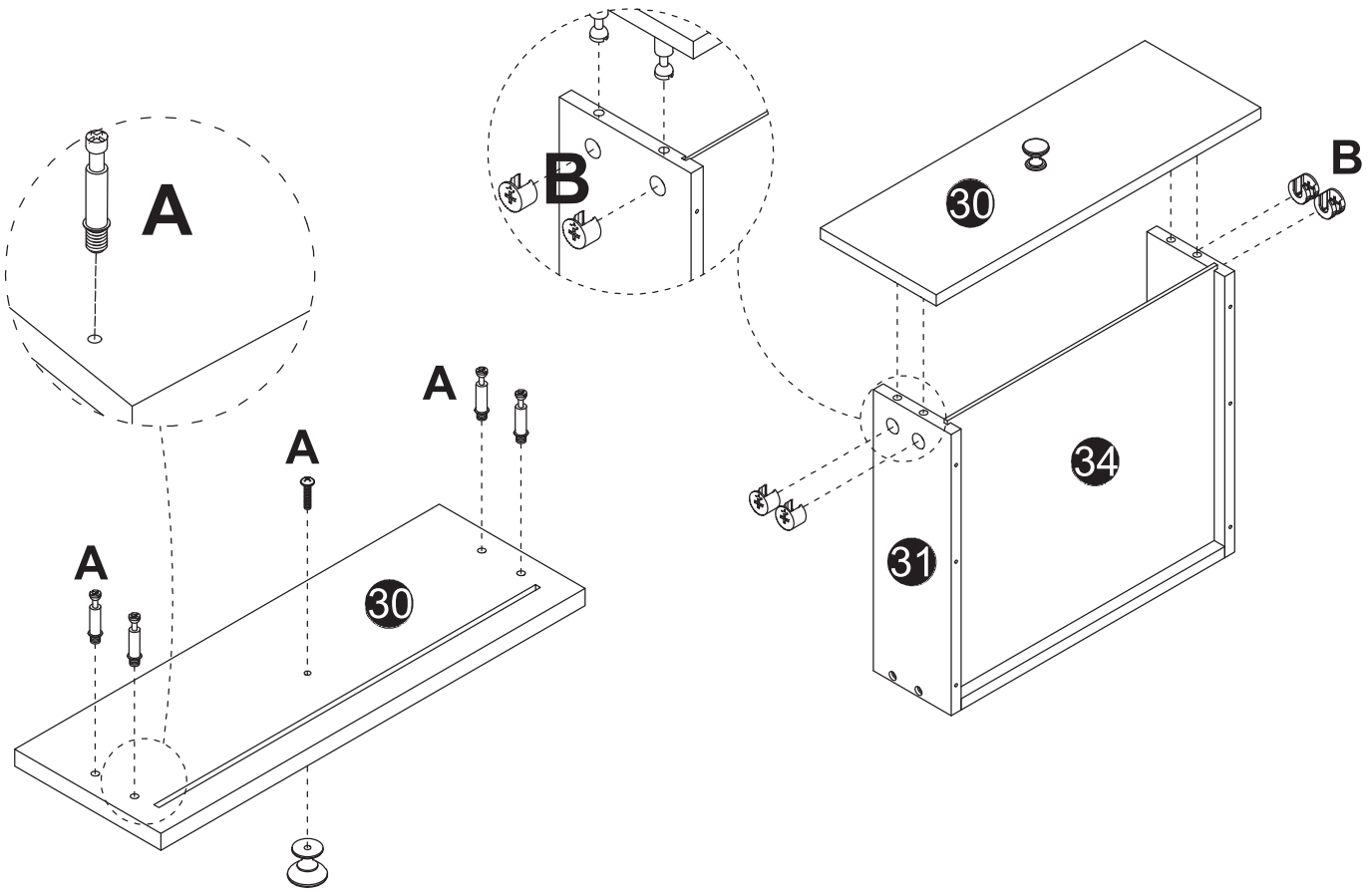
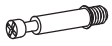
A x12

B x12

F x3

F-1

F-2

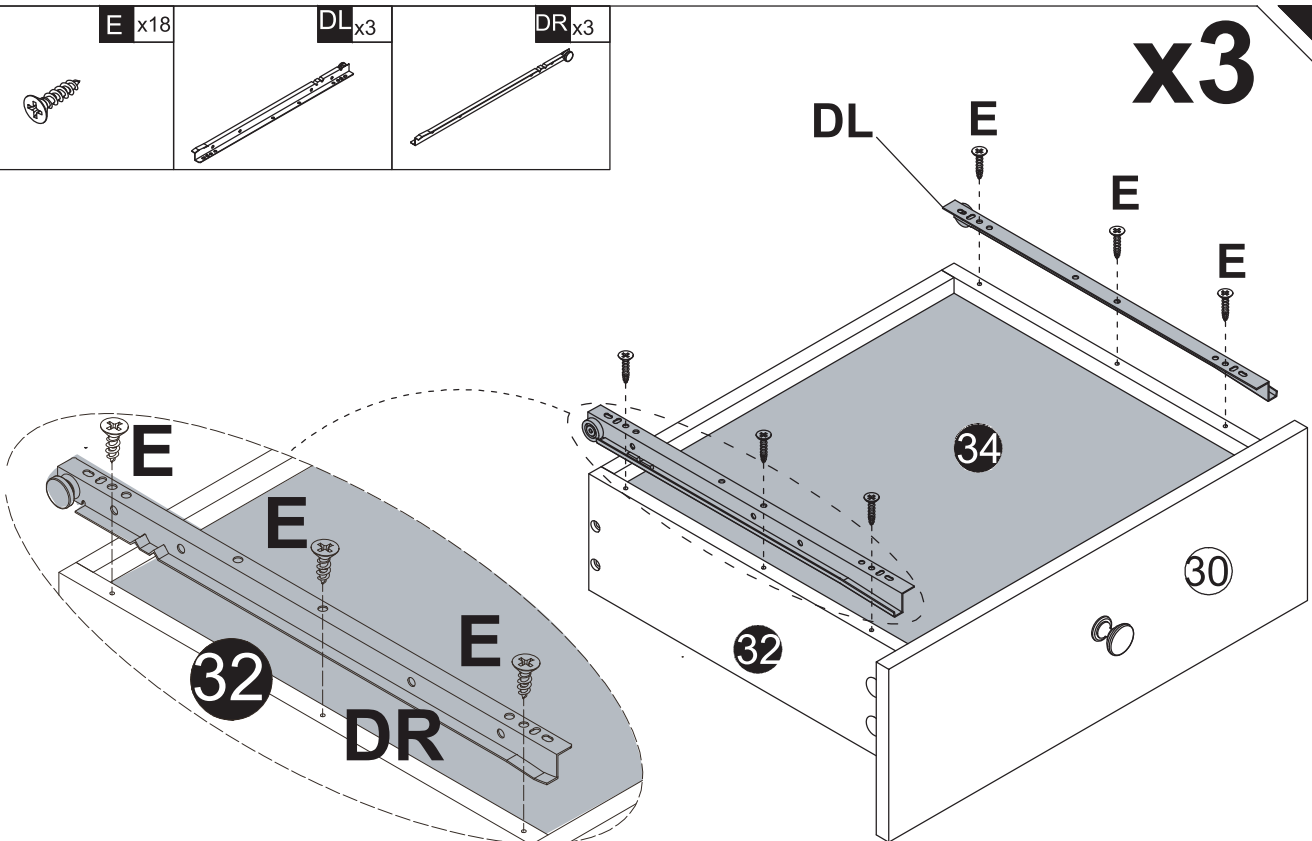
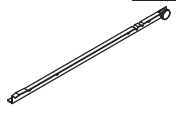
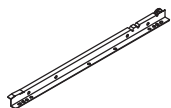


x3

E x18

DL x3

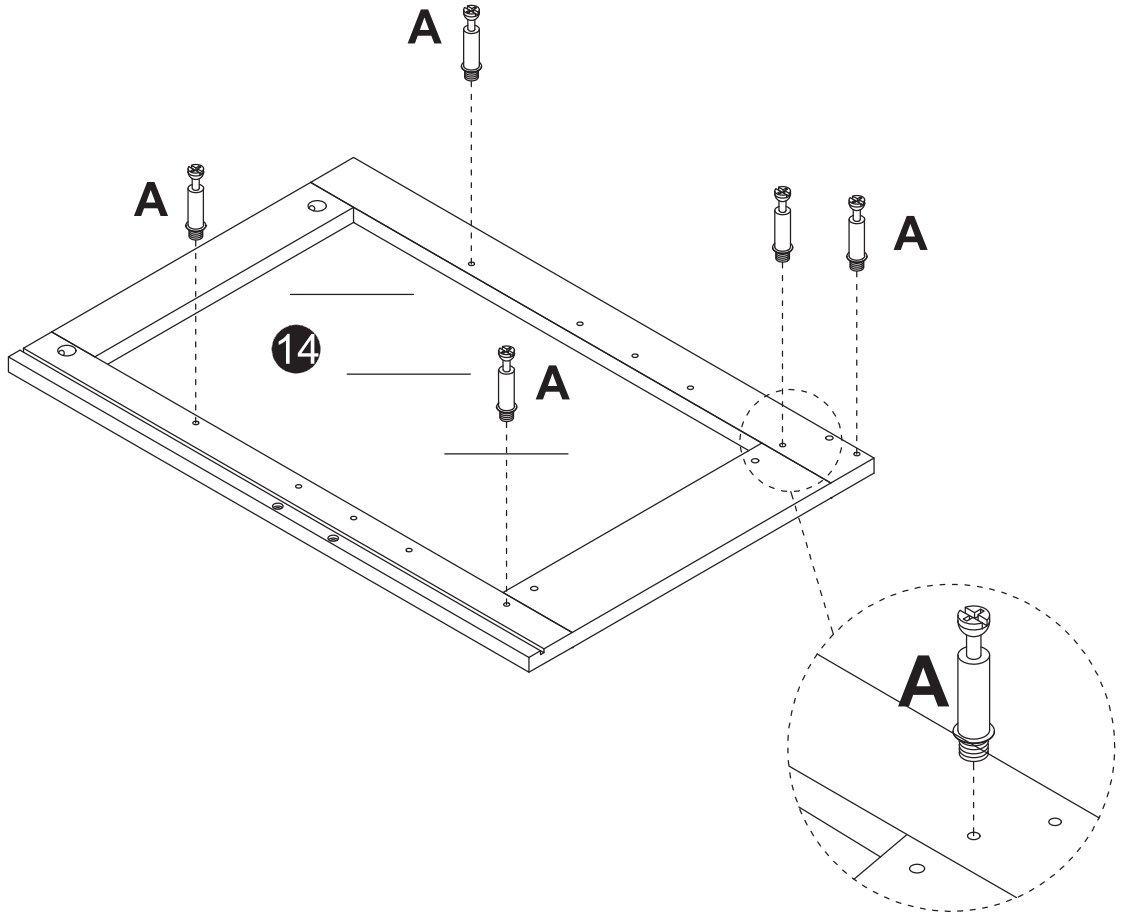
DR x3



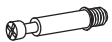
A x5



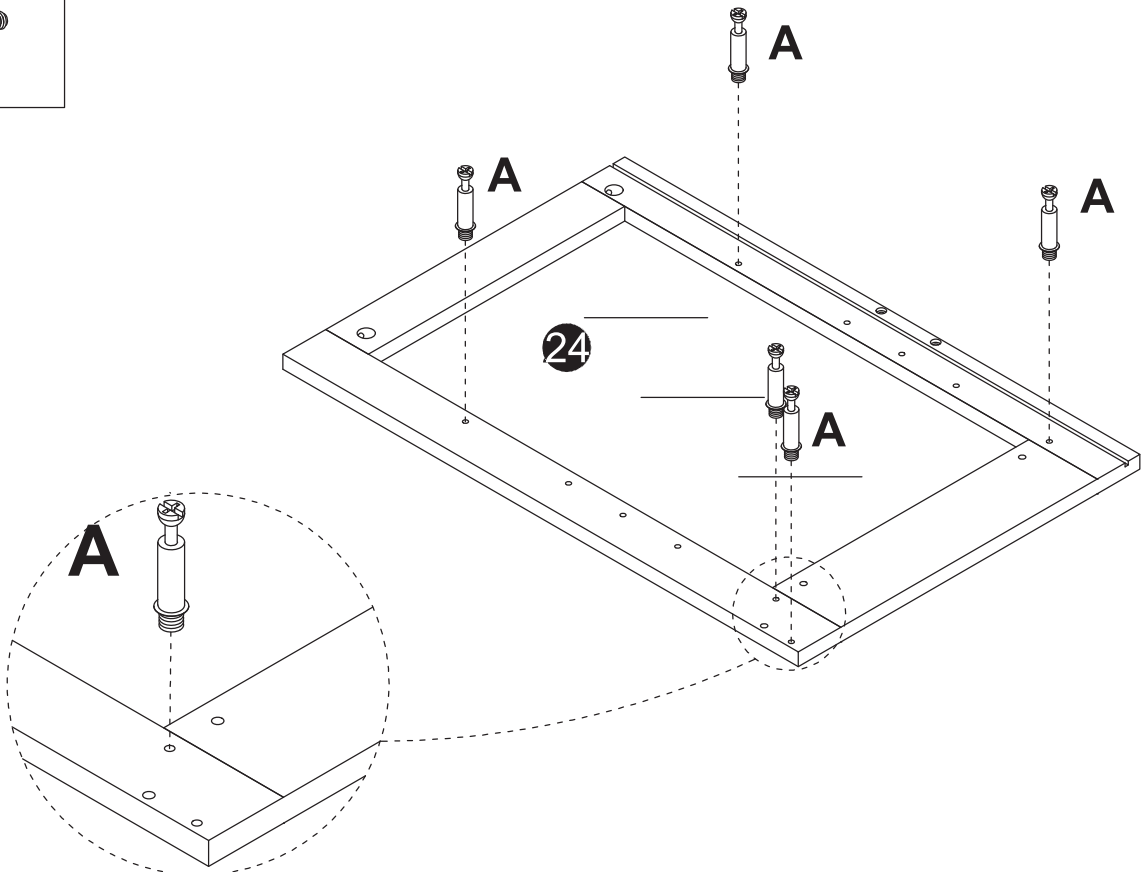
04



A x5

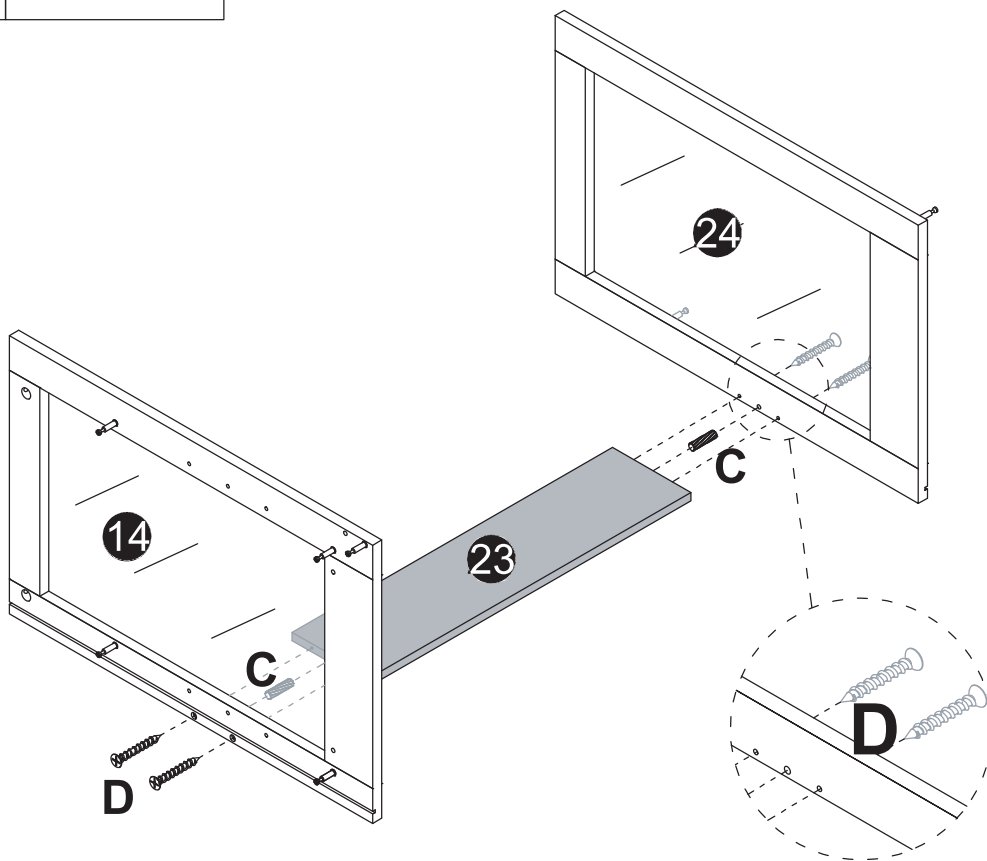


05



C x2

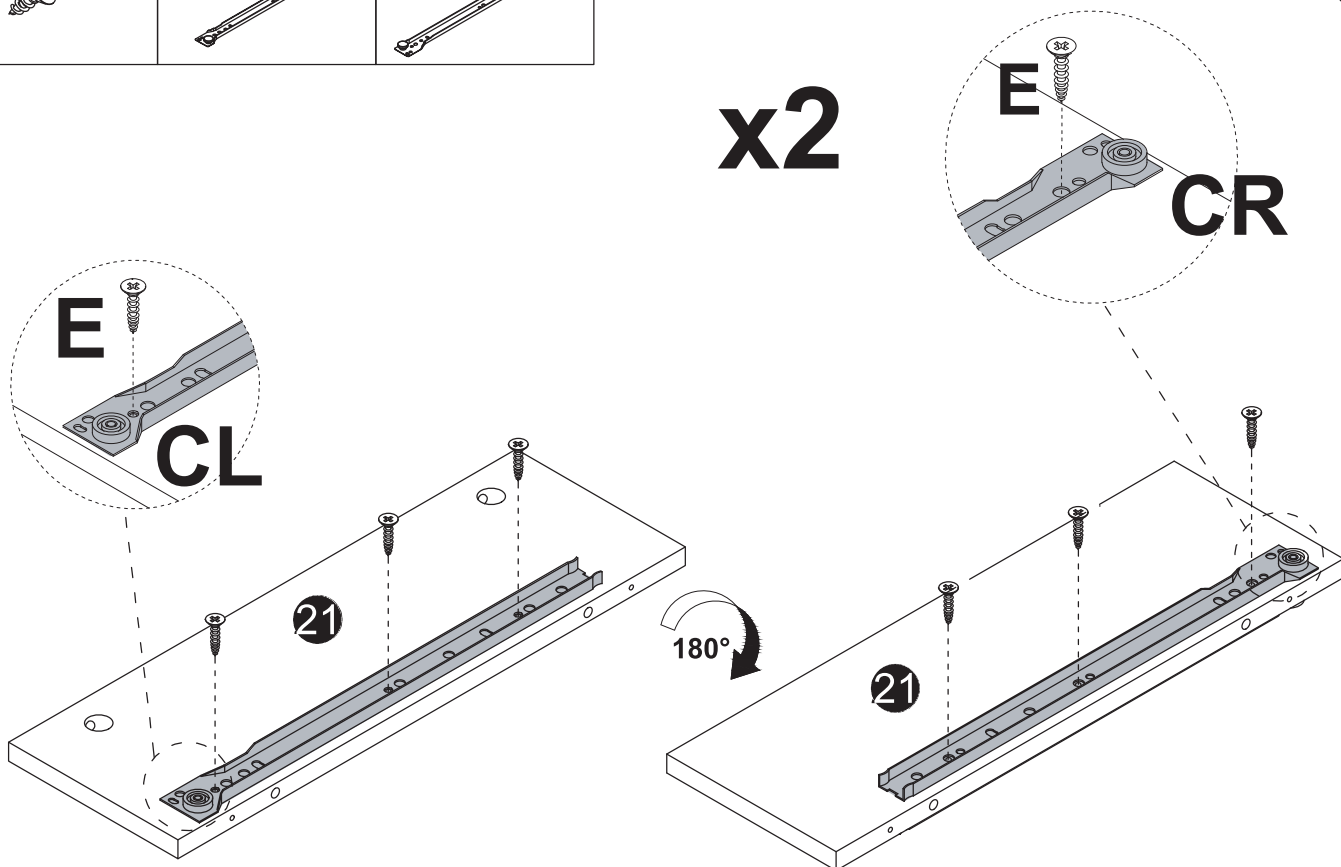
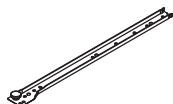
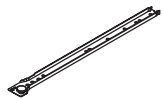
D x4



E x12

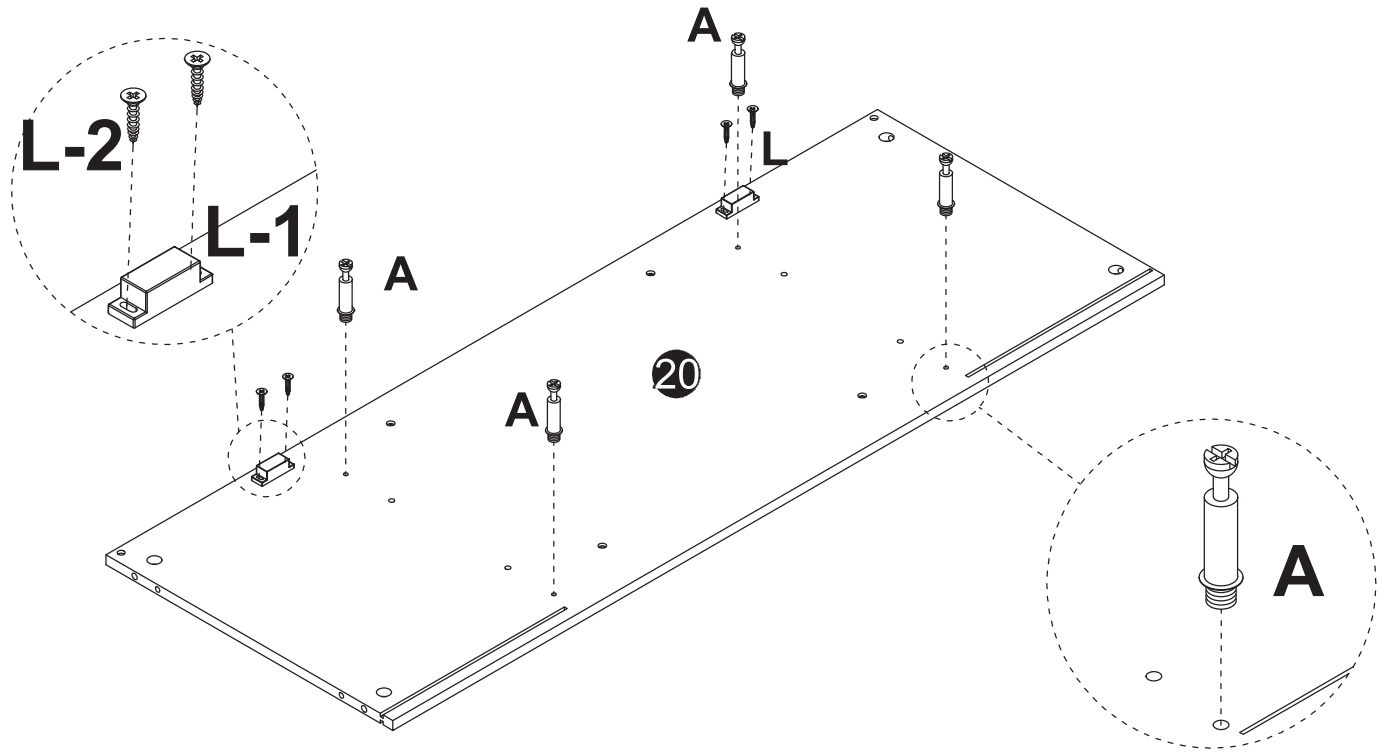
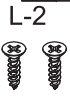
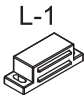
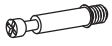
CLx2

CRx2



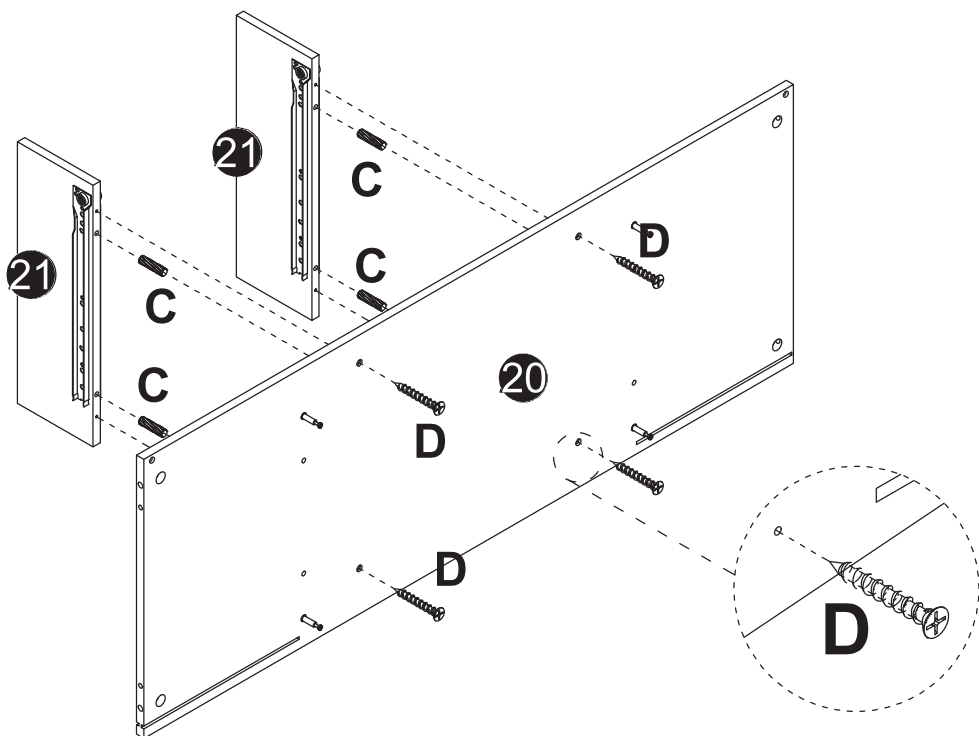
A x4

L x2



C x4

D x4



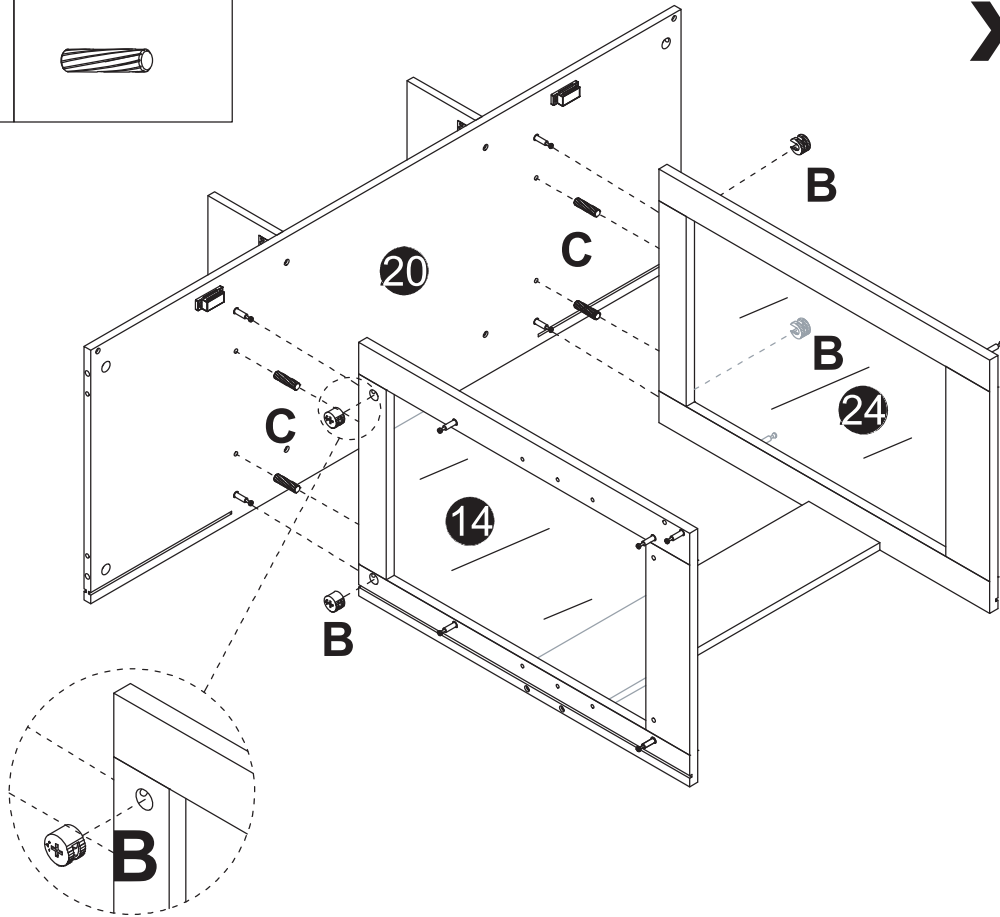
B x4

C x4



x2

10

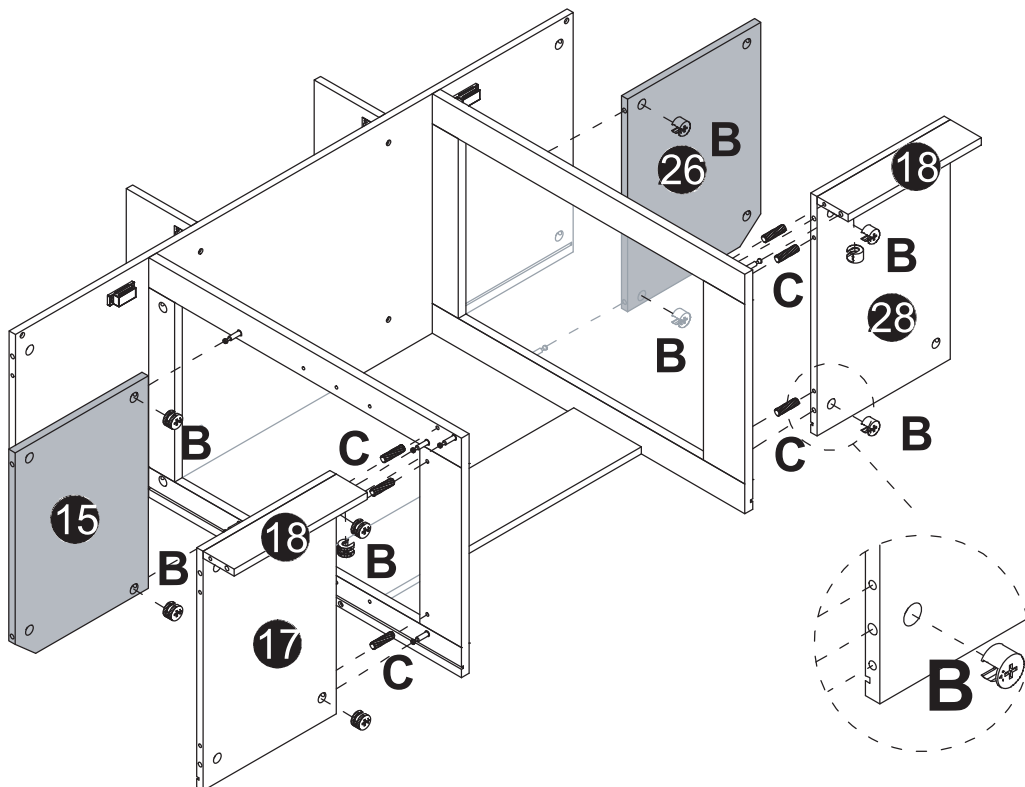


B x10

C x6



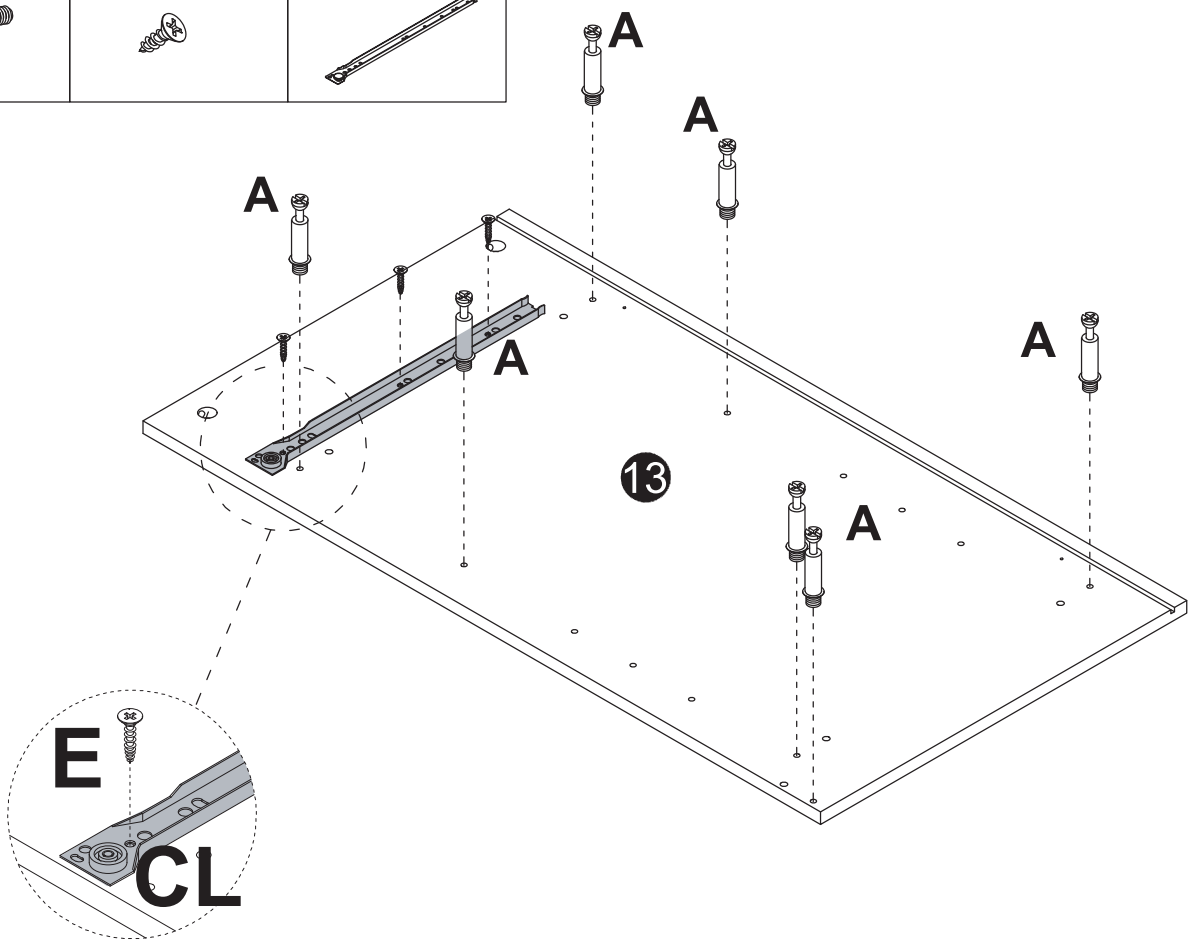
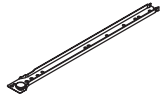
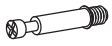
11



A x7

E x3

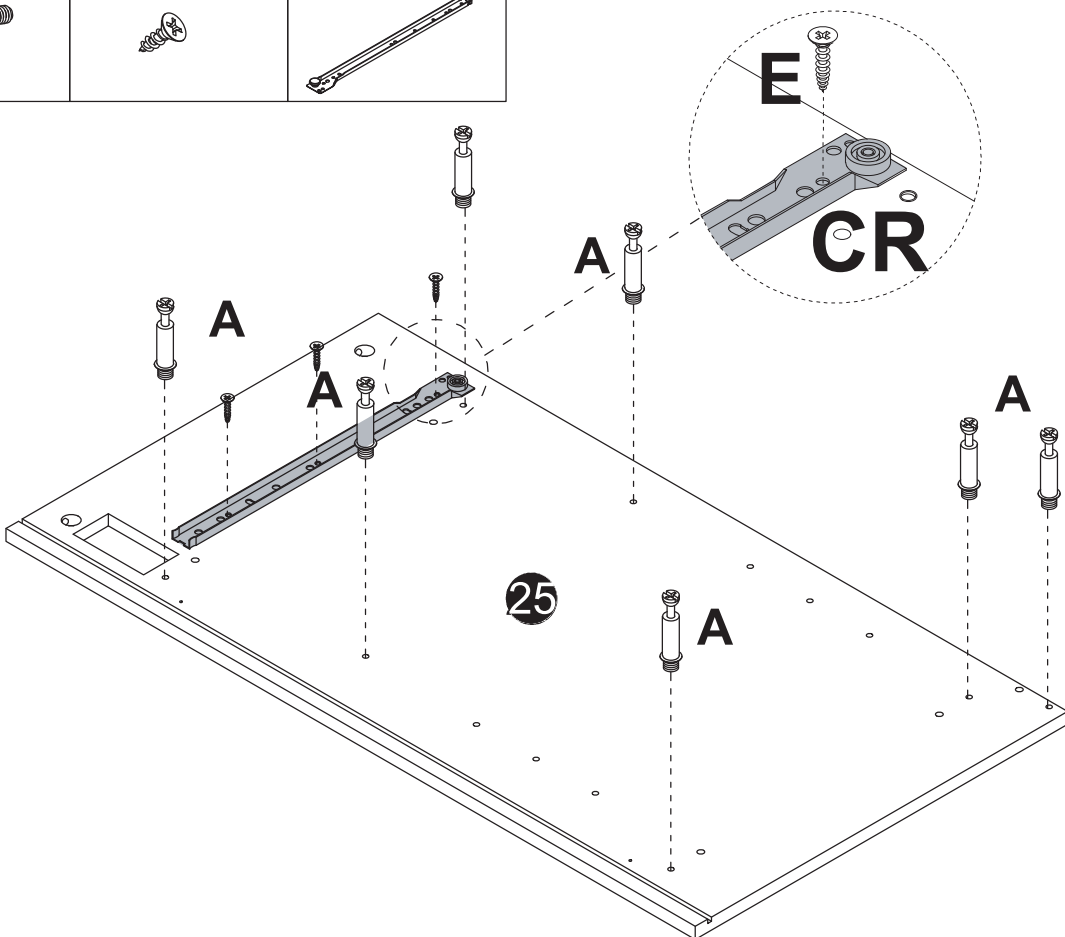
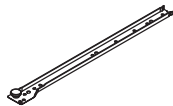
CL x1



A x7

E x3

CR x1



N x4

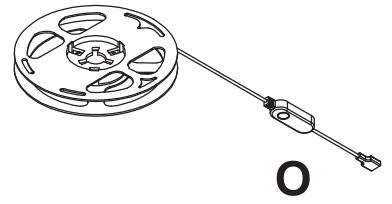
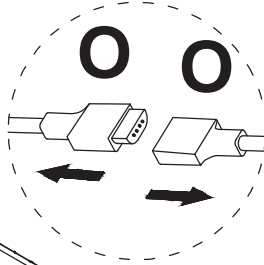
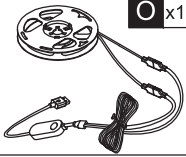
O x1



N-1



N-2

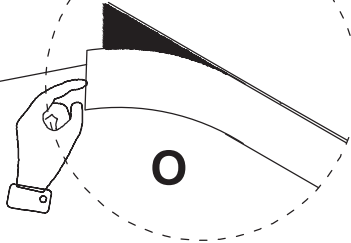


O

O



Tear off the back glue of the light strip



O

! Cord length LED strip light

N-2

N-1

O

N

13

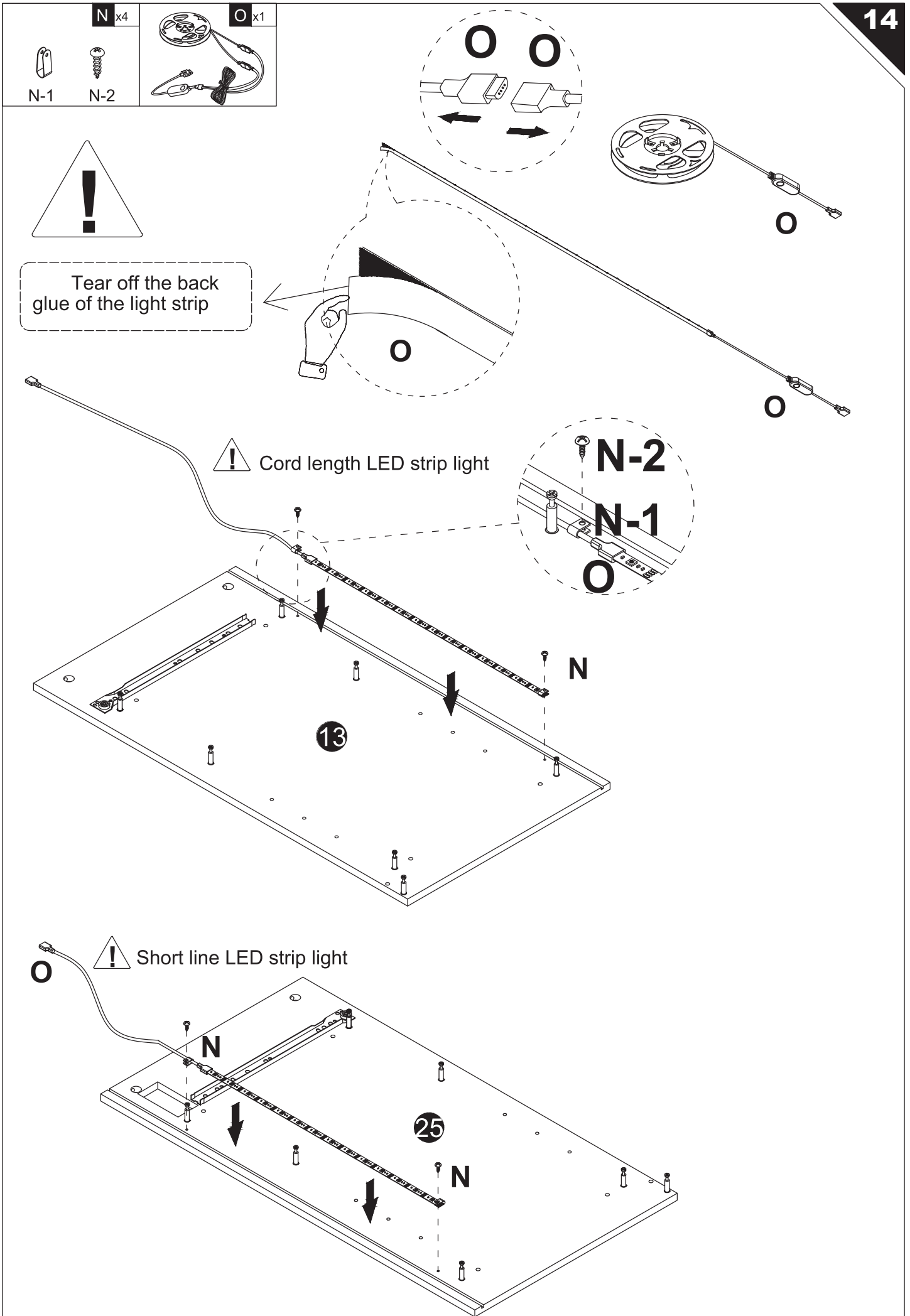
! Short line LED strip light

O

N

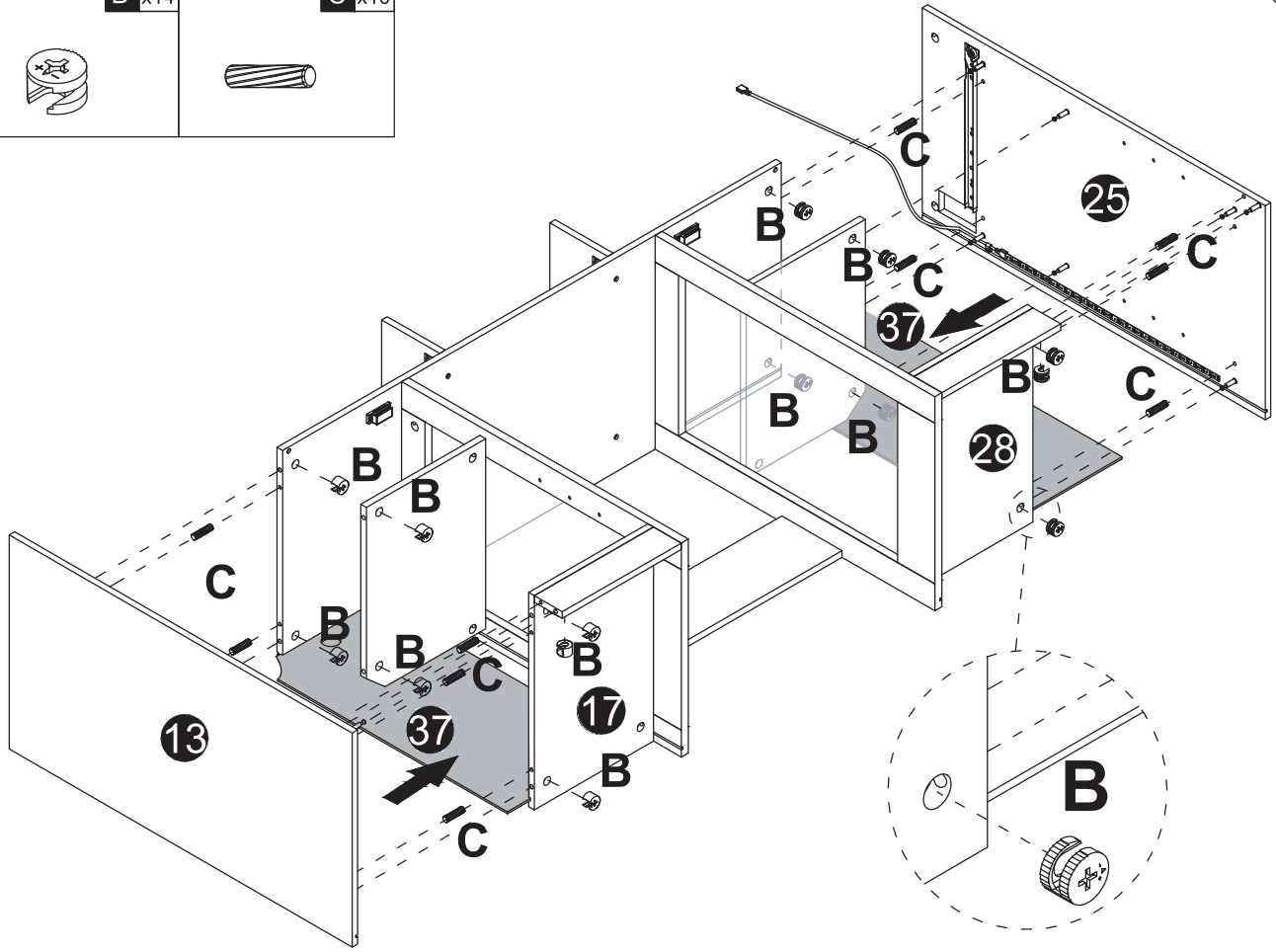
25

N

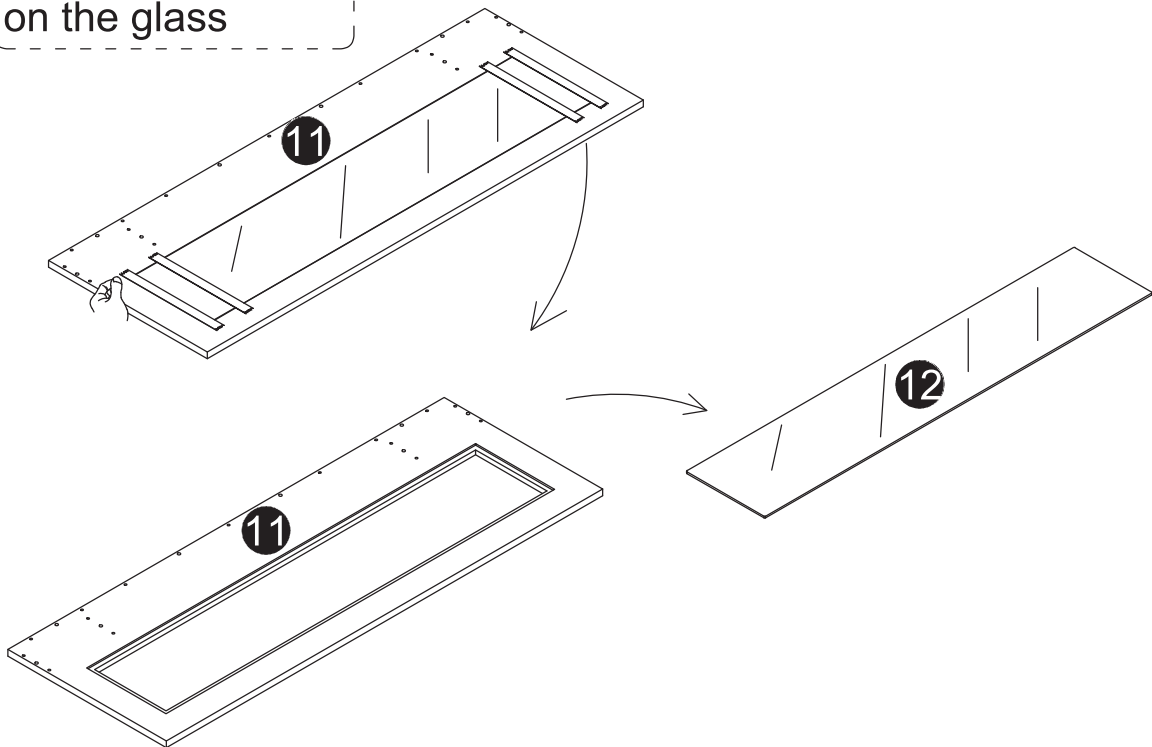


B x14

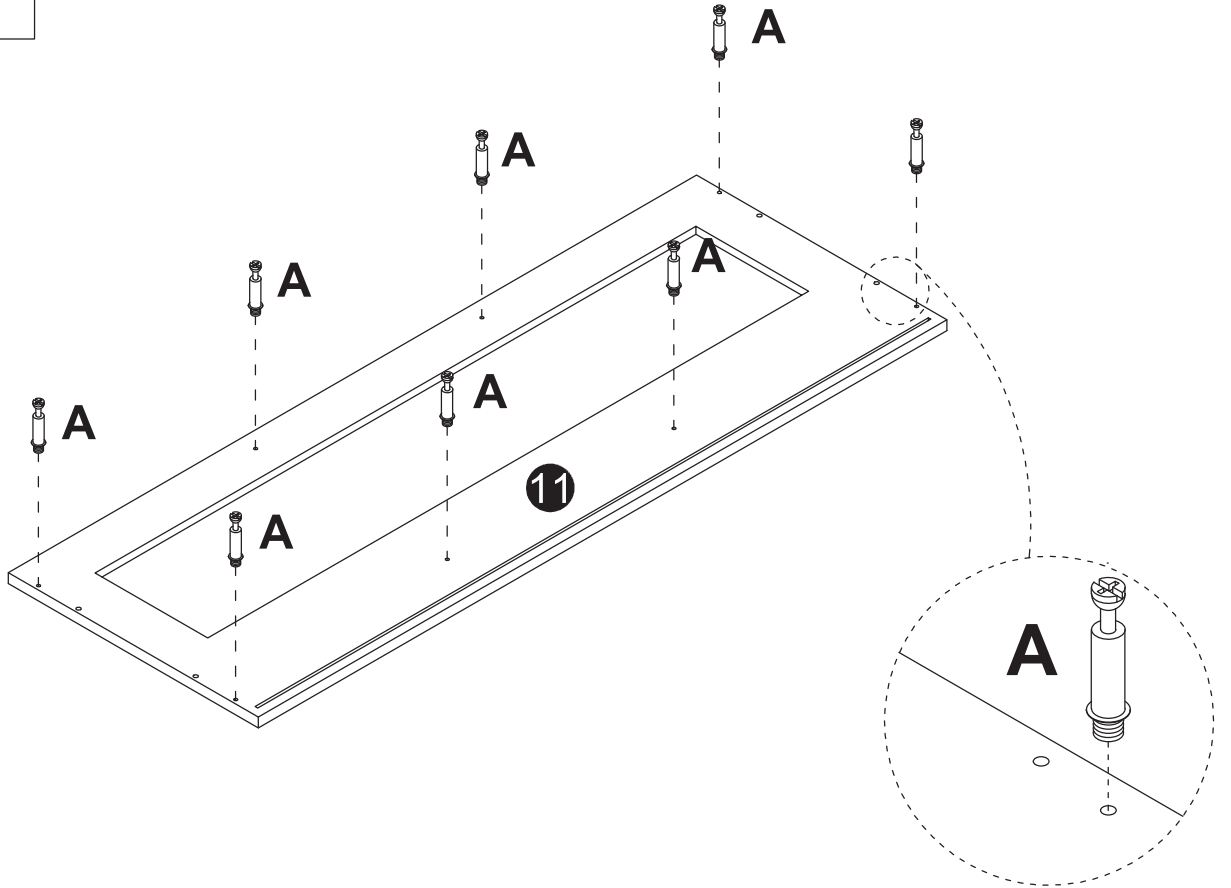
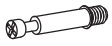
C x10



Peel off the sticker on the glass

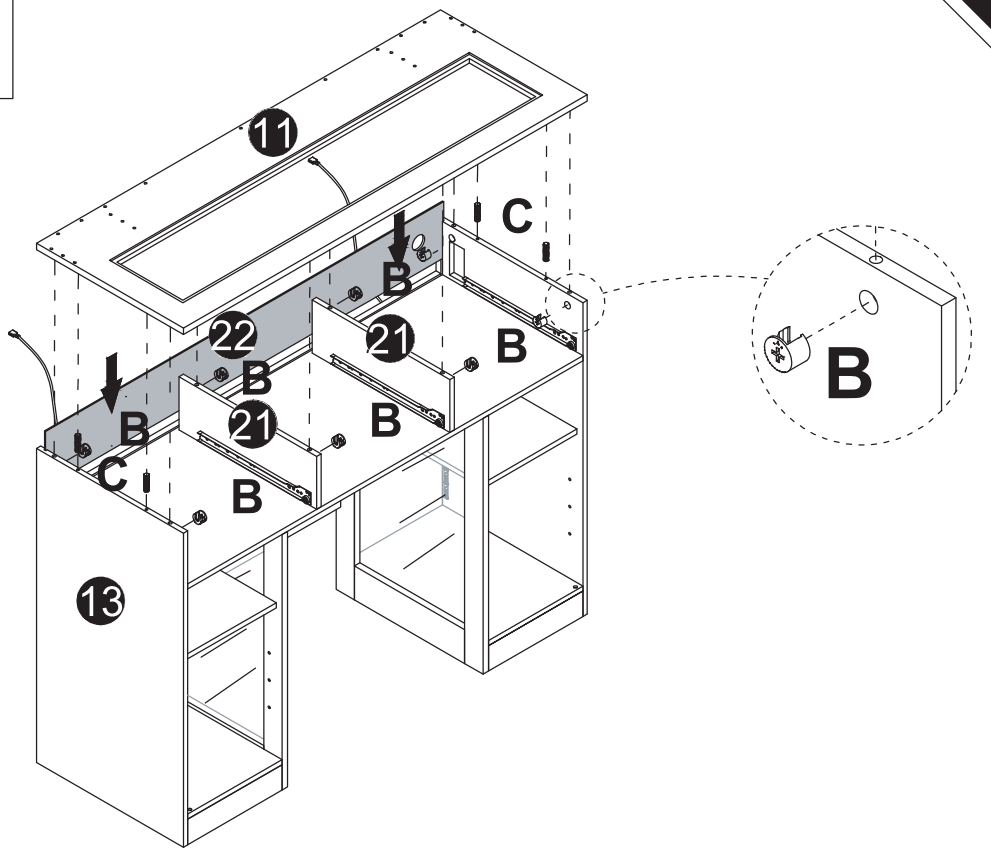


A x8

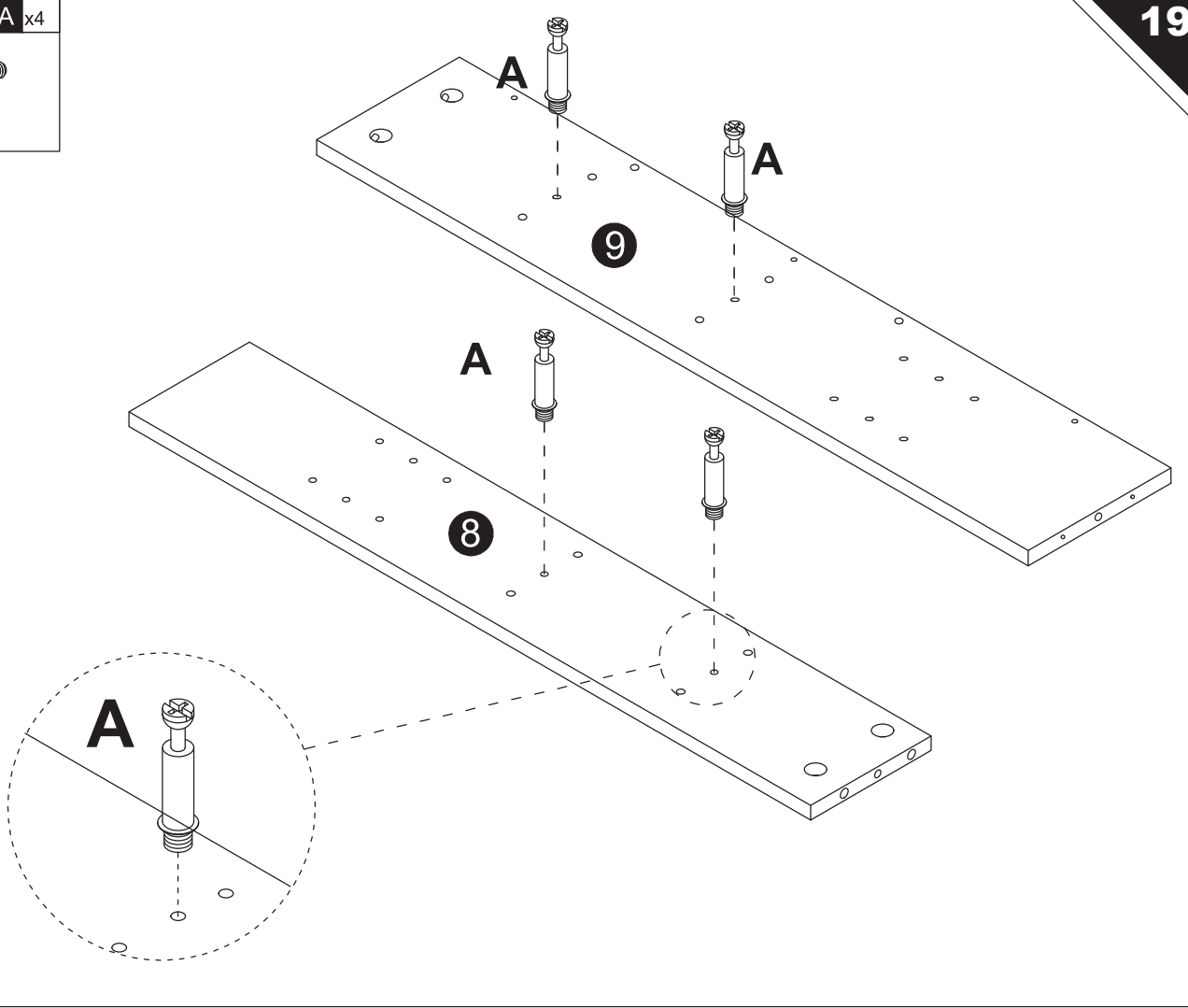
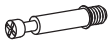


B x8

C x4

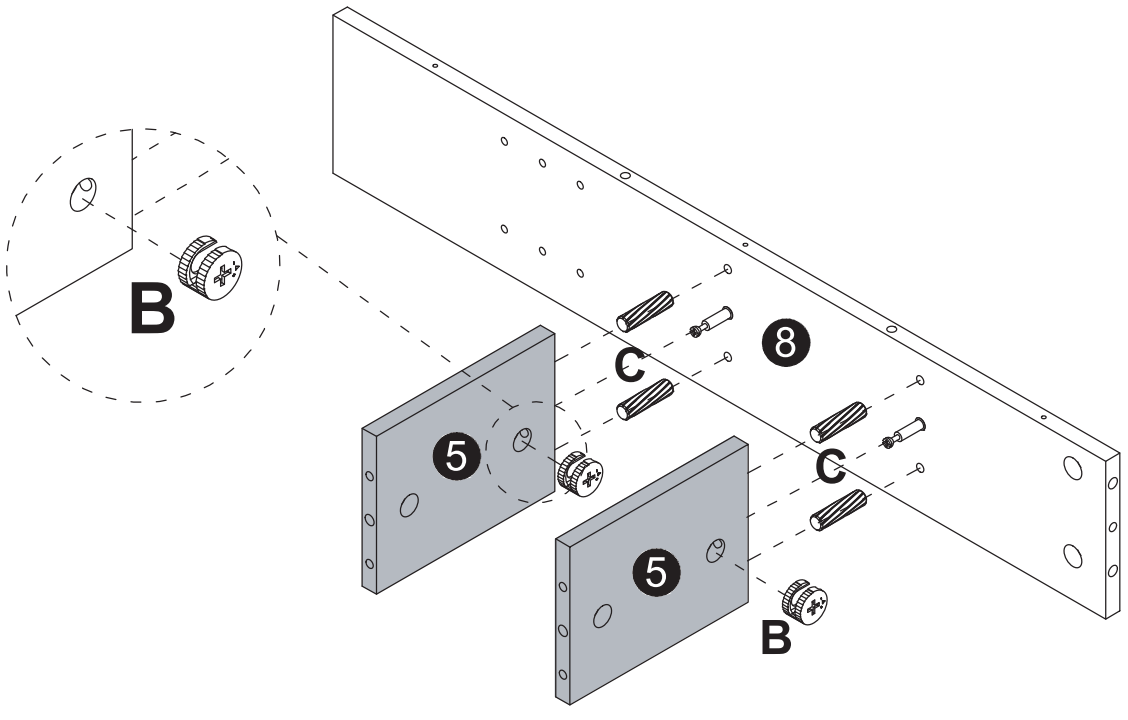


A x4



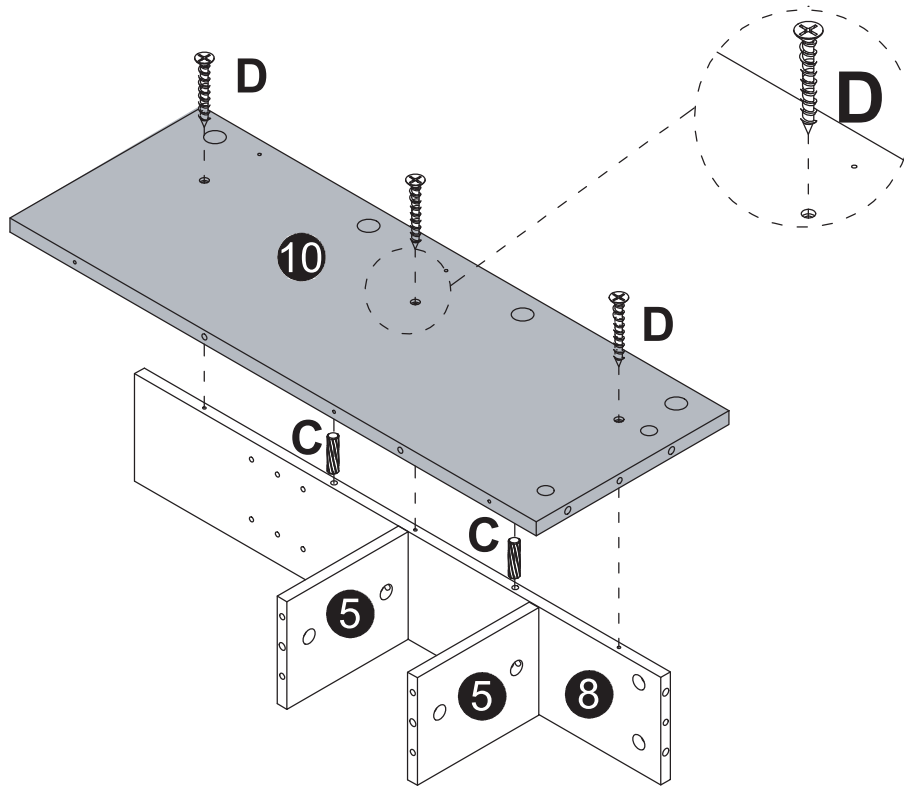
B x2

C x4



C x2

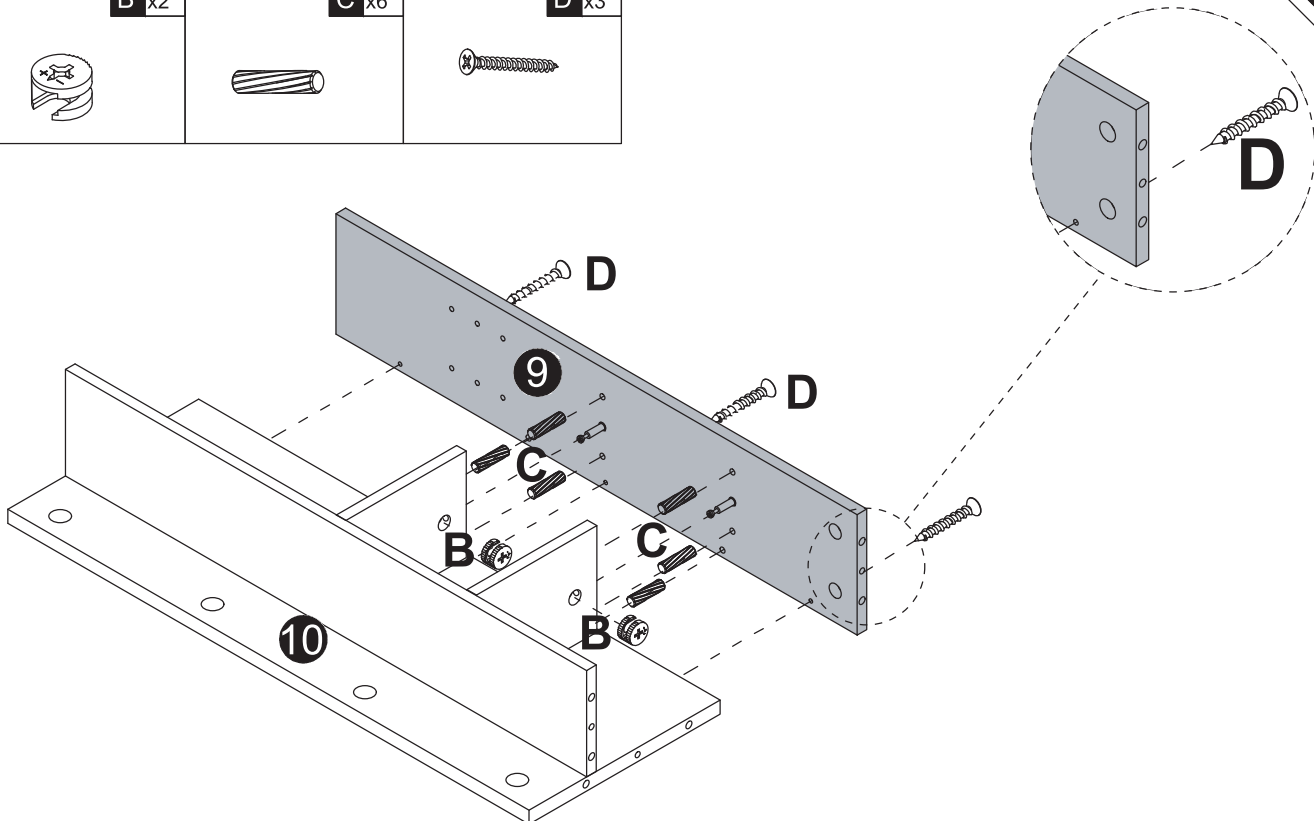
D x3



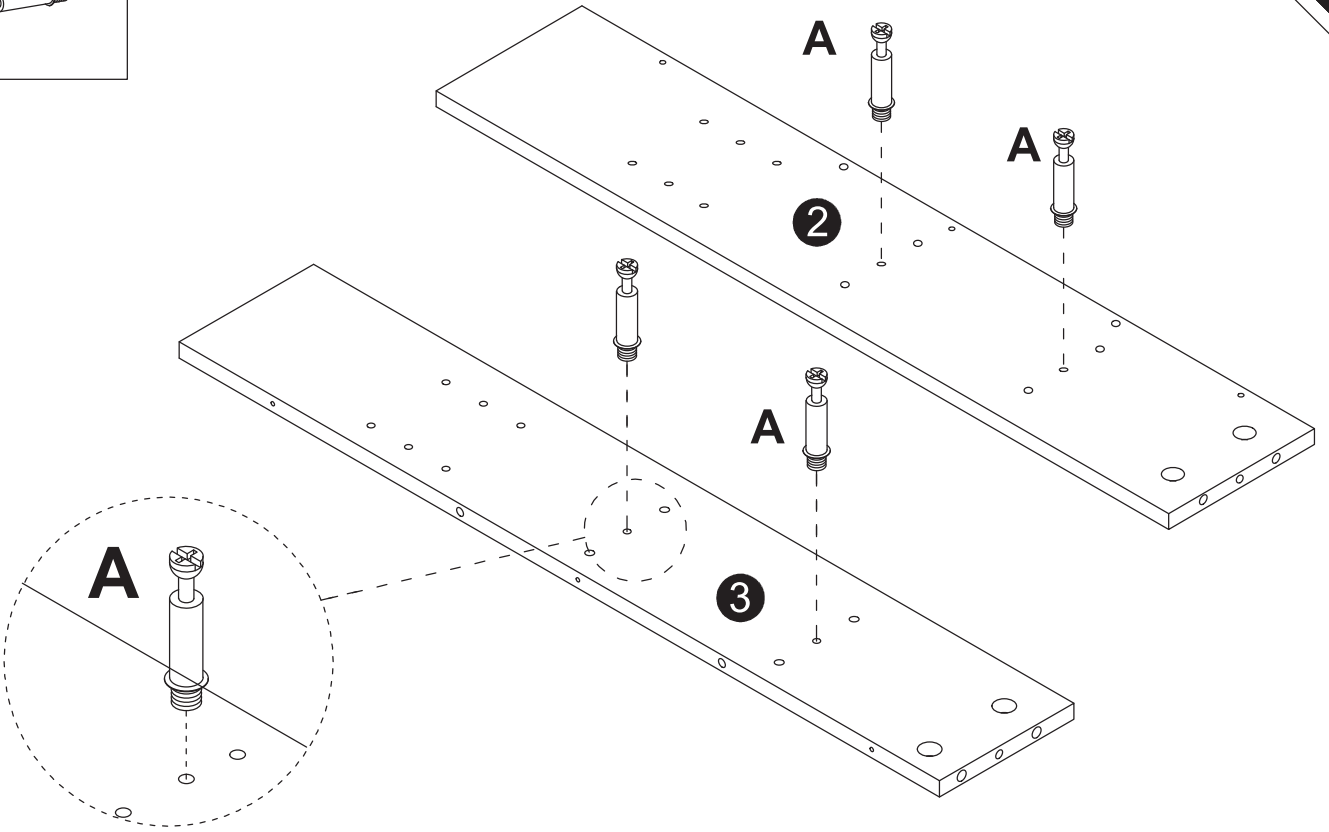
B x2

C x6

D x3

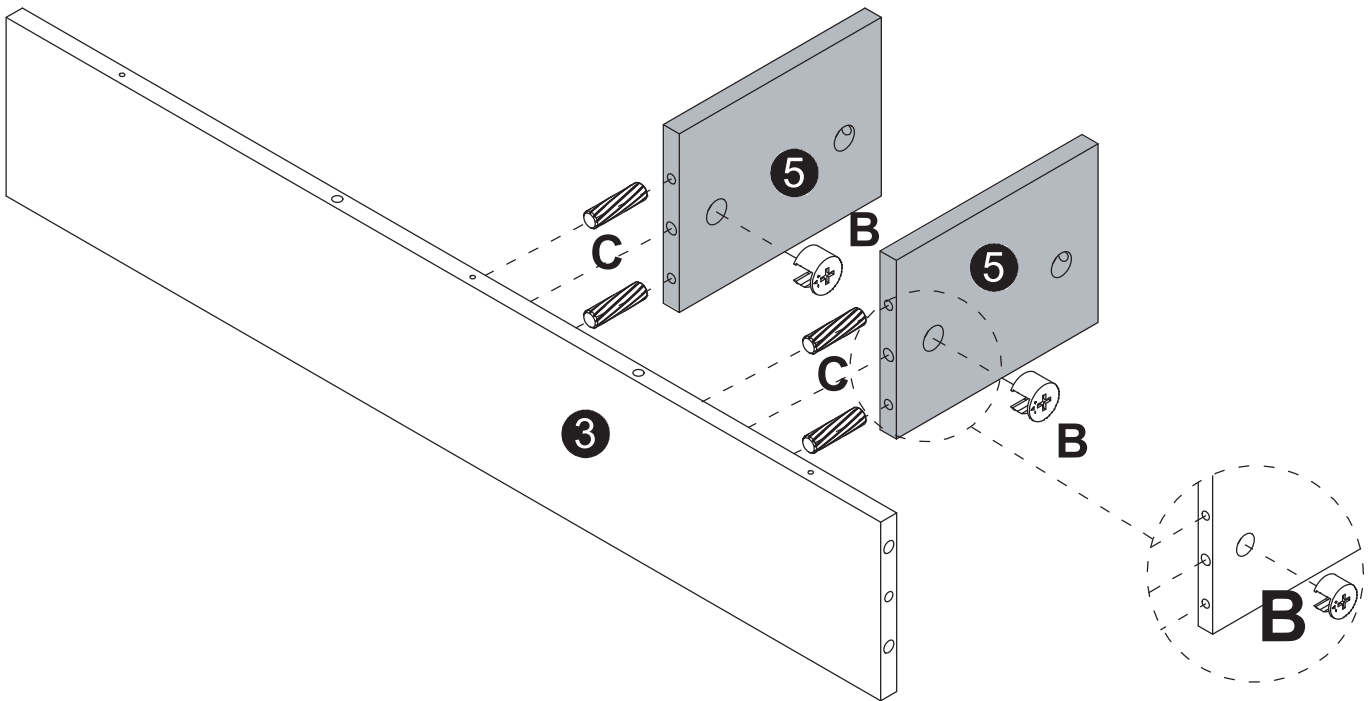


A x4



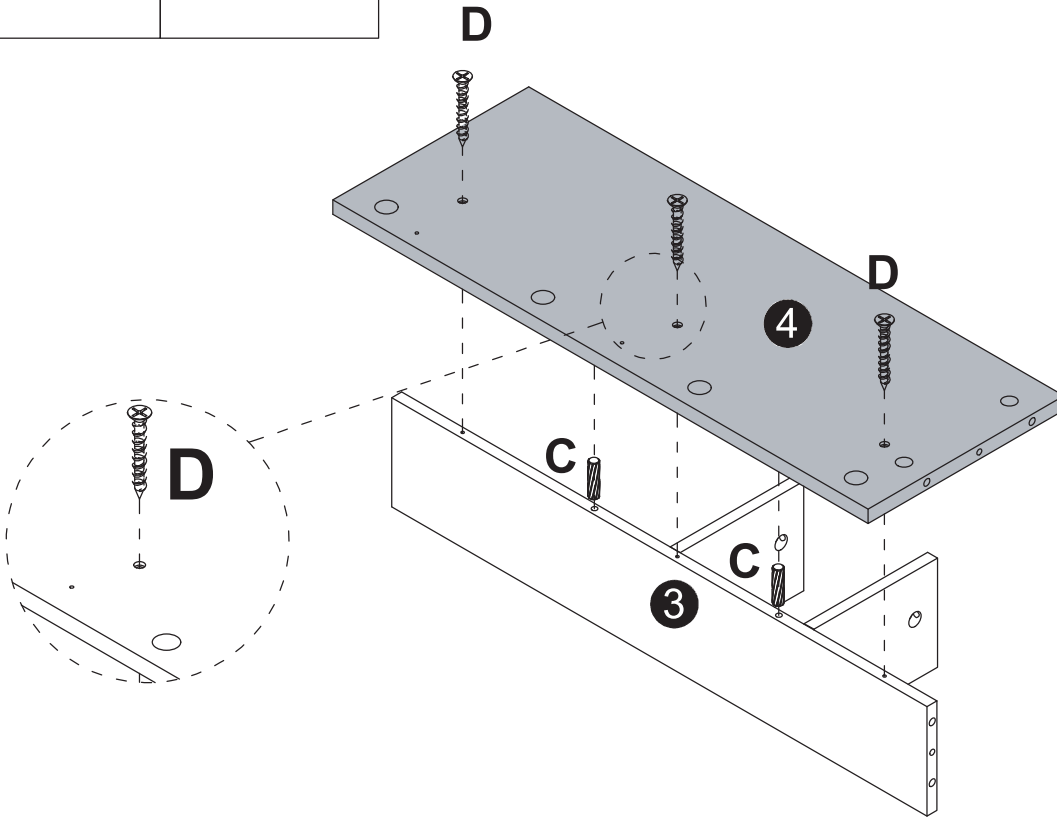
B x2

C x4



C x2

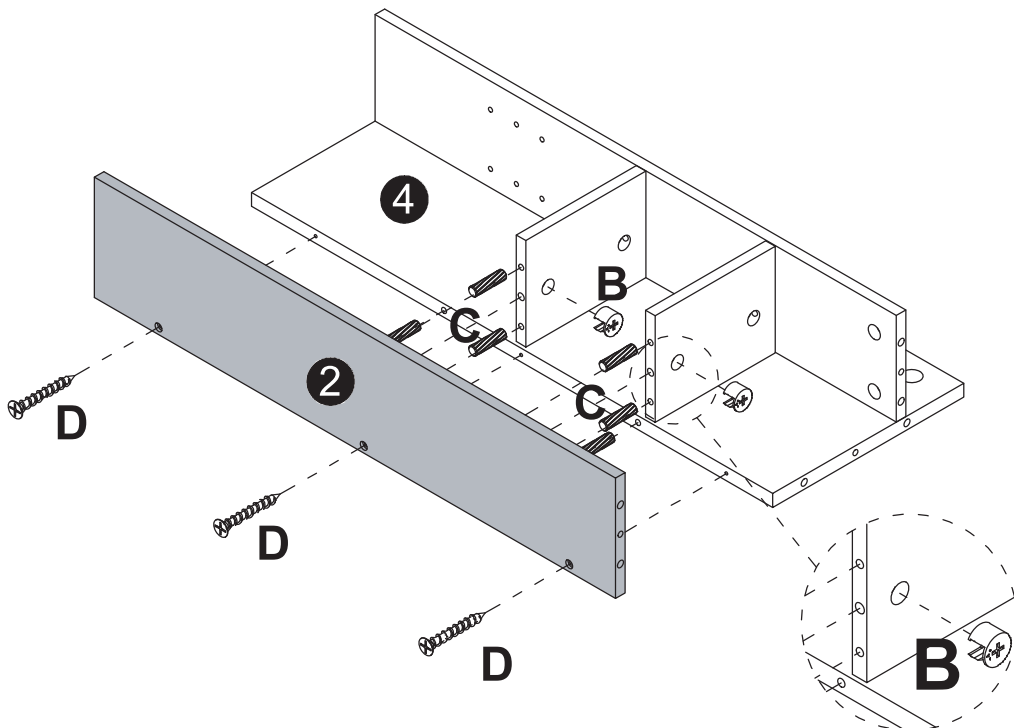
D x3

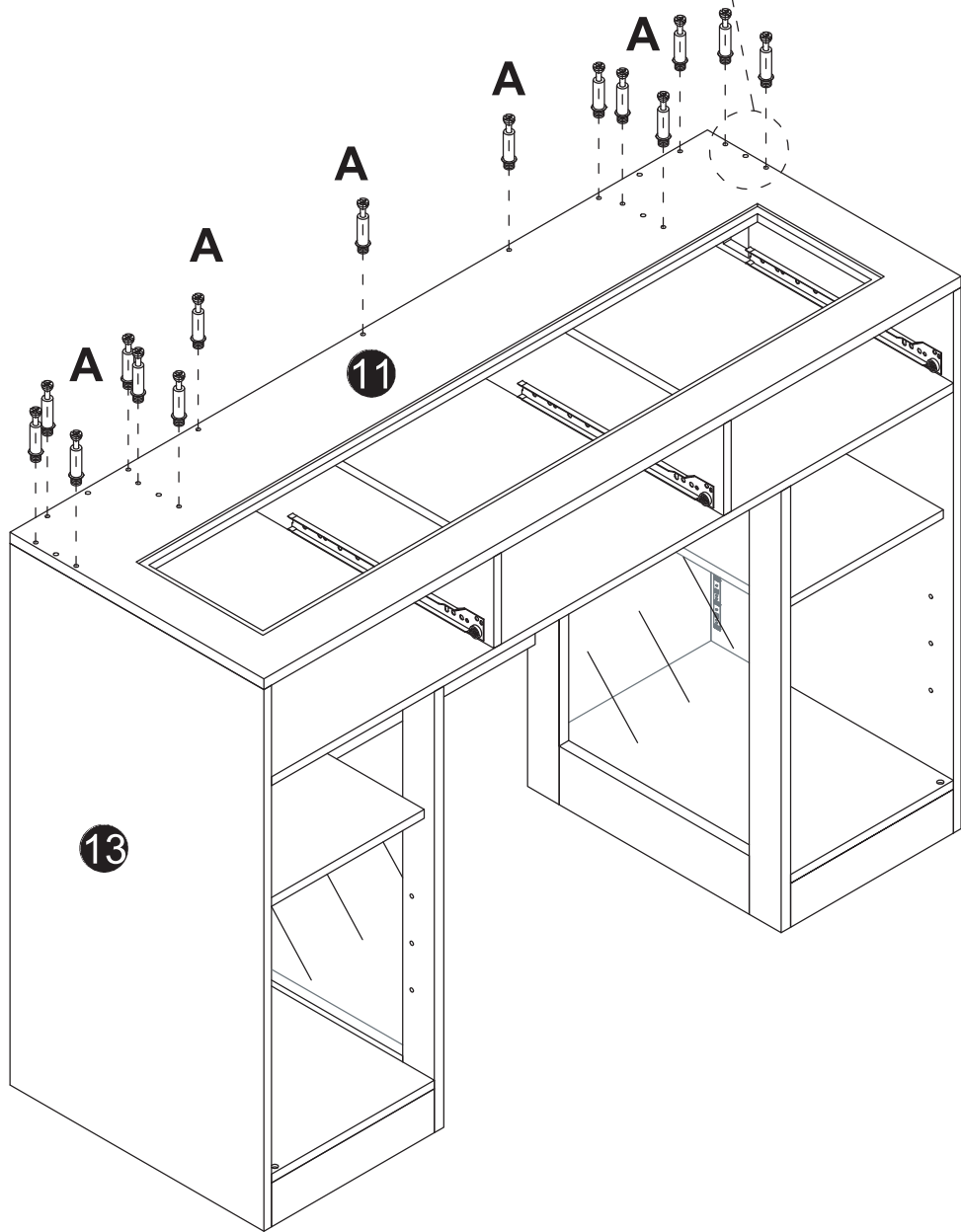
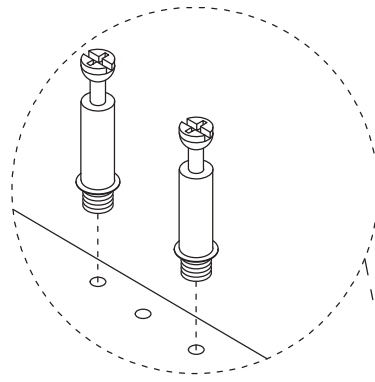
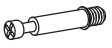


B x2

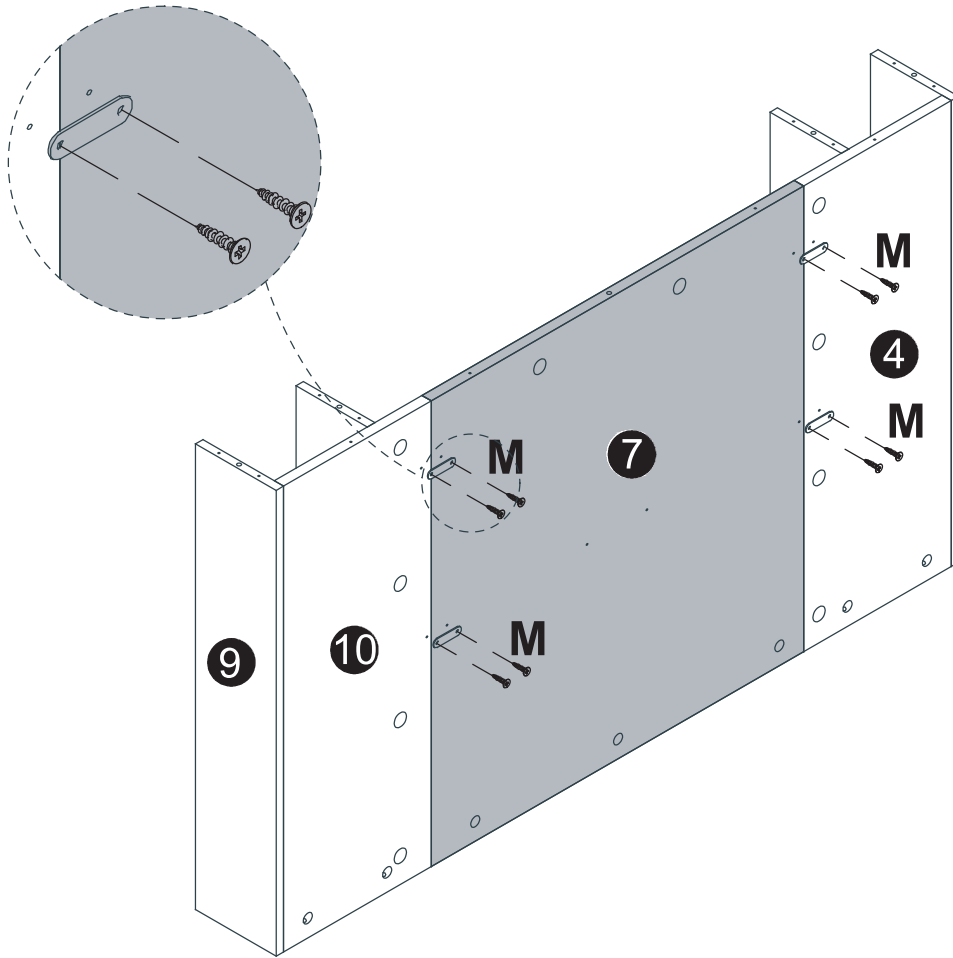
C x6

D x3



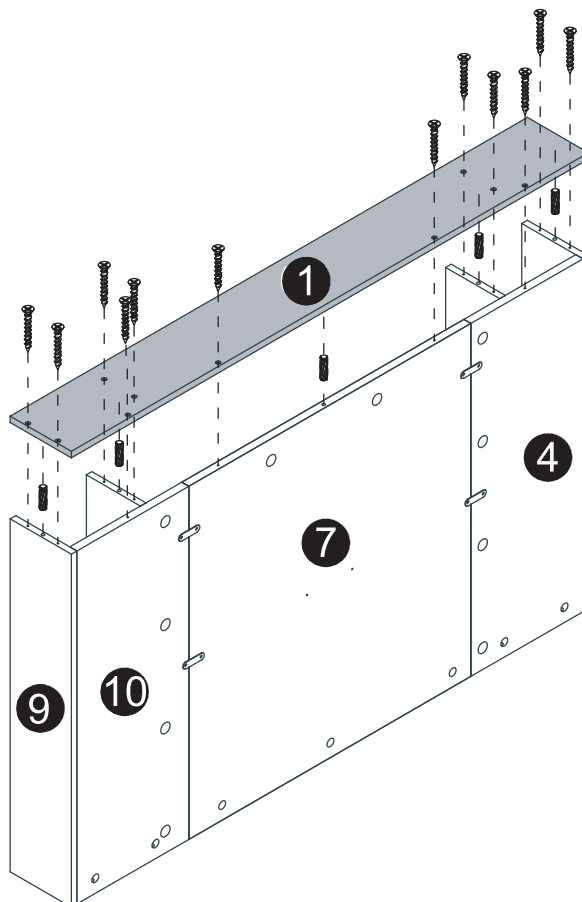


M-1 **M** x4
 M-2



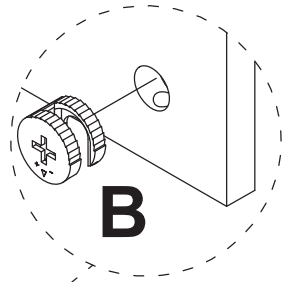
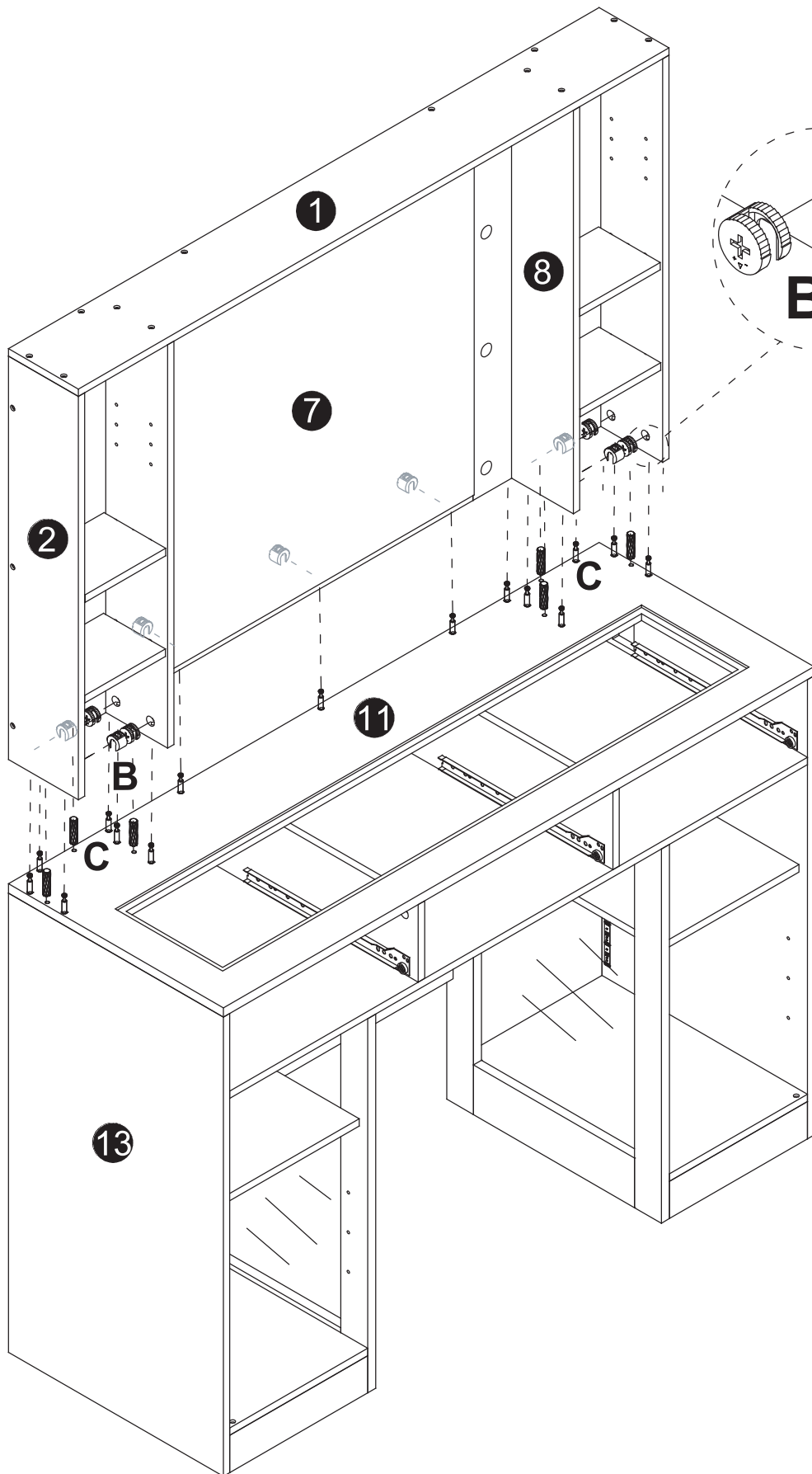
C x5

D x12



B x15

C x6



B

C

C

B

1

8

7

2

11

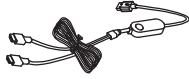
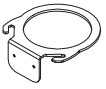
13

S x1

J x2

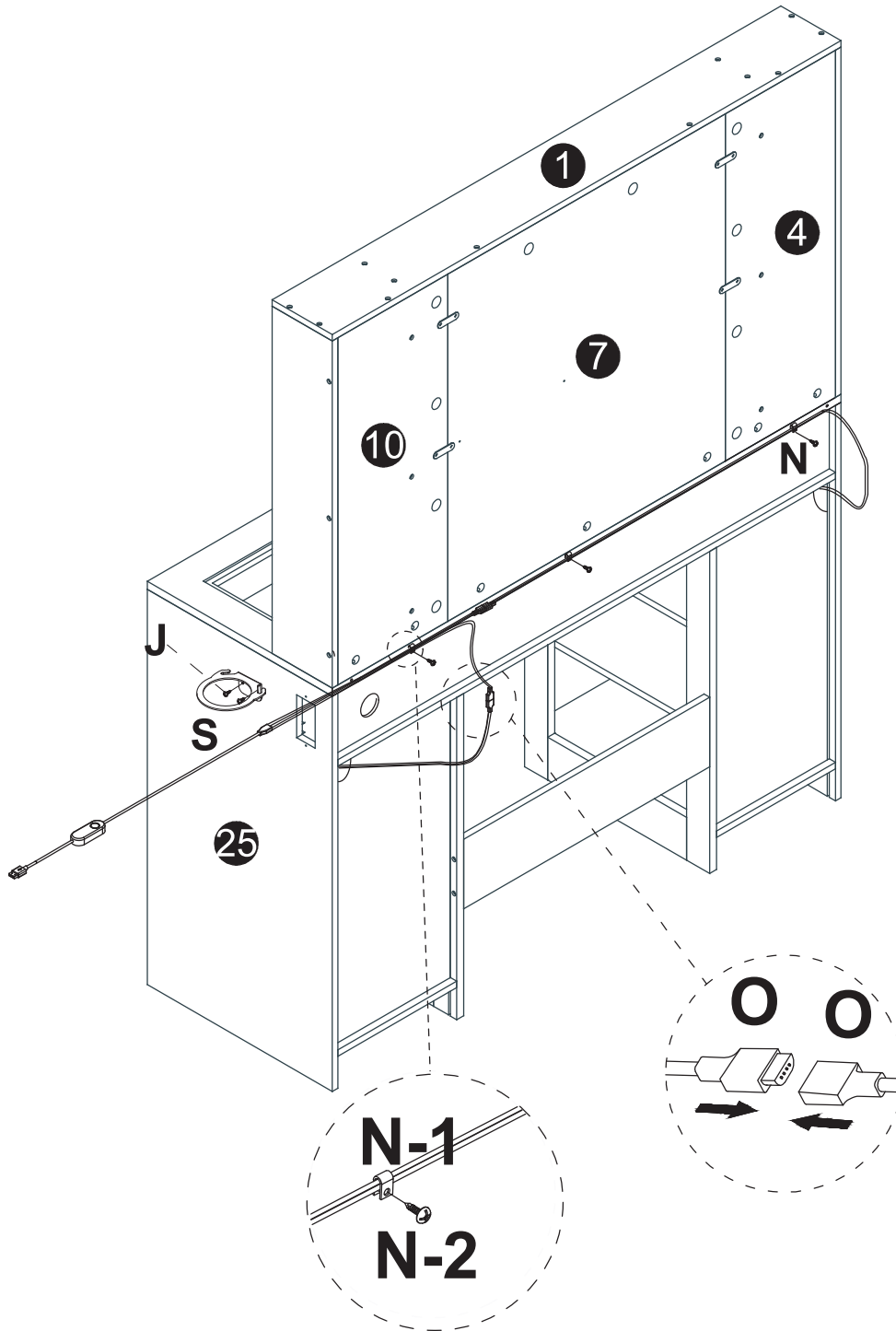
N x3

O x1



N-1

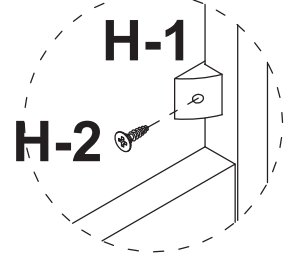
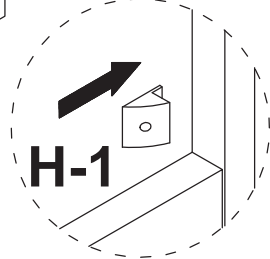
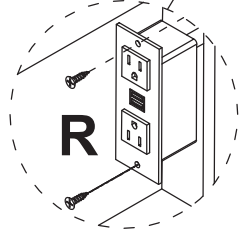
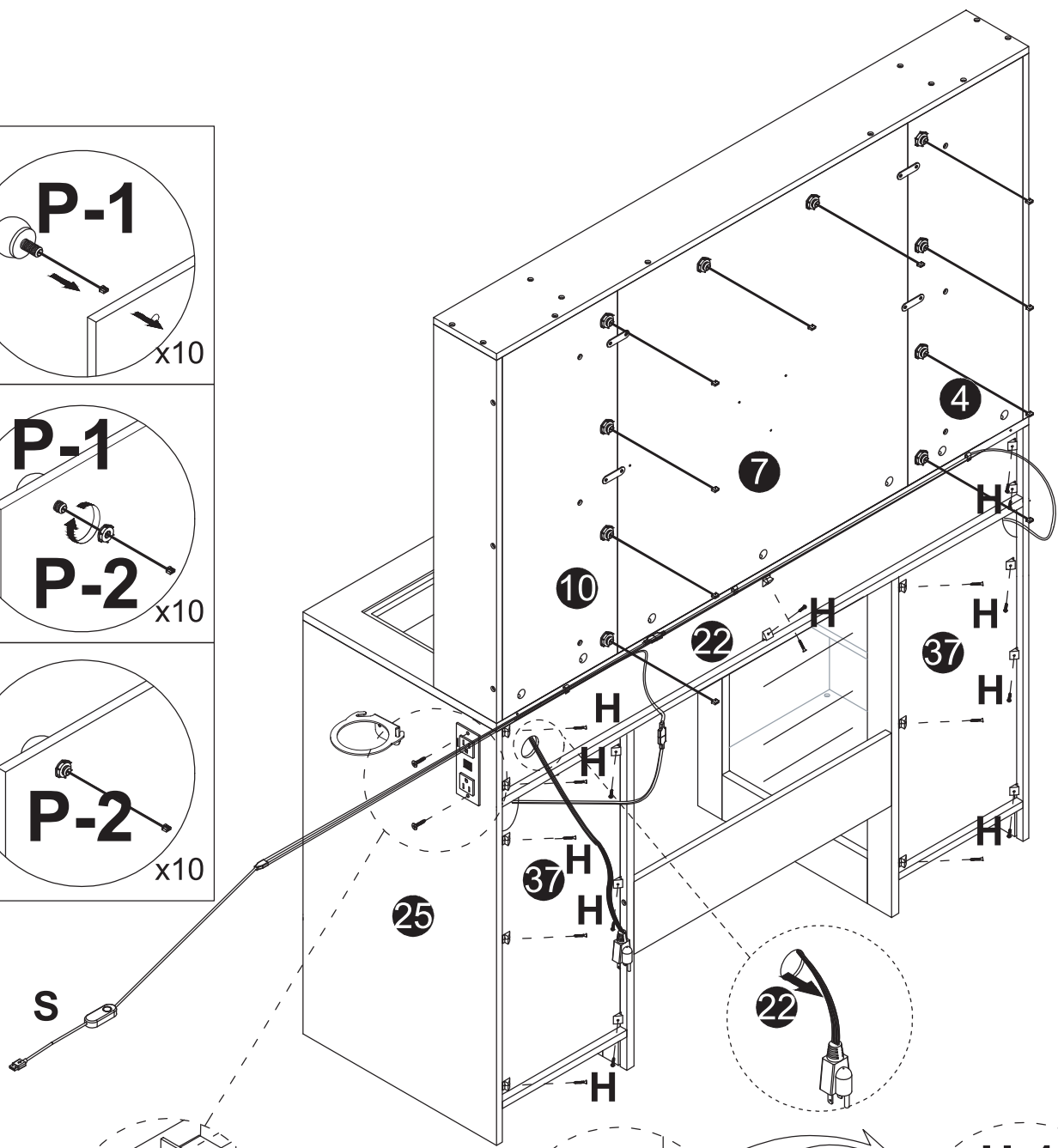
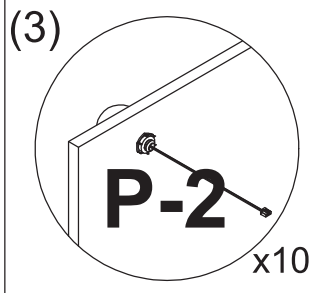
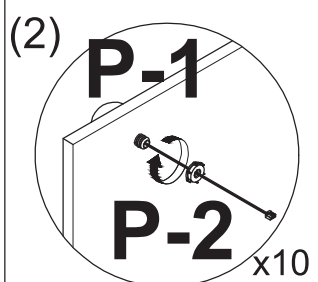
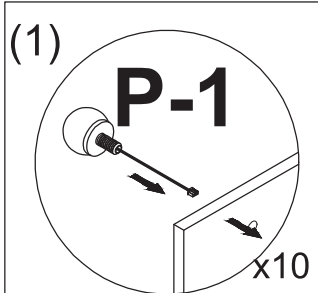
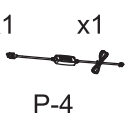
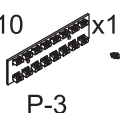
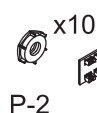
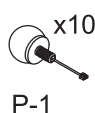
N-2



H x18

P x1

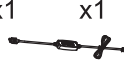
R x1



N x1

J x2

P x1



N-1

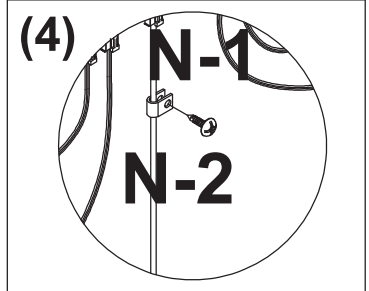
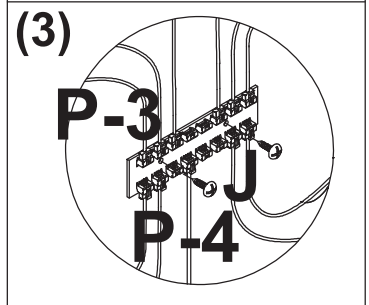
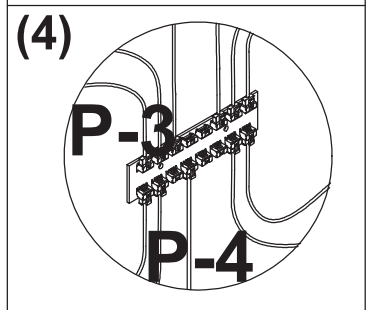
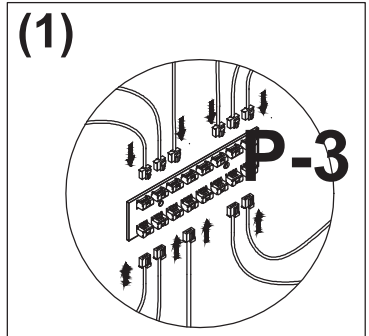
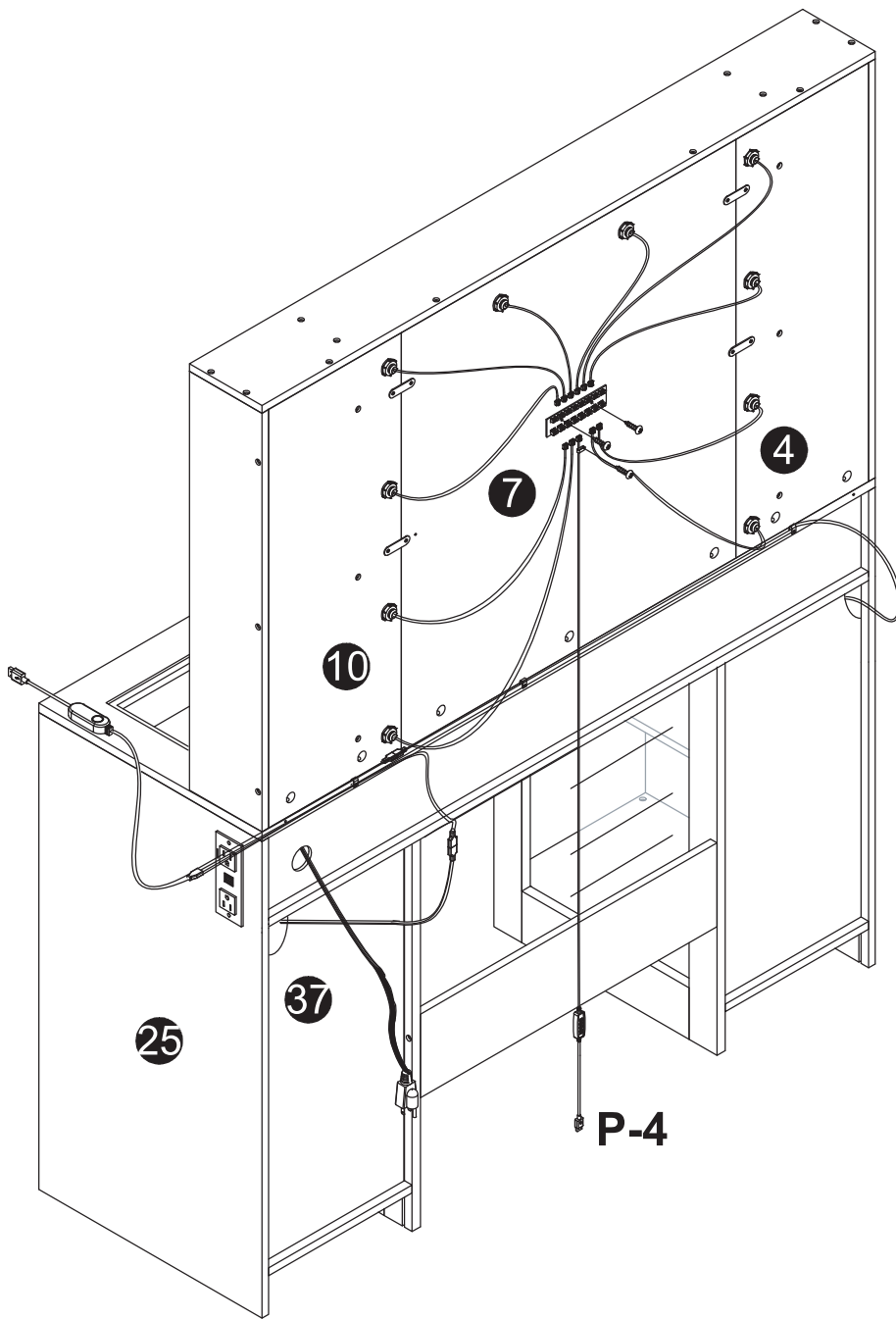
N-2

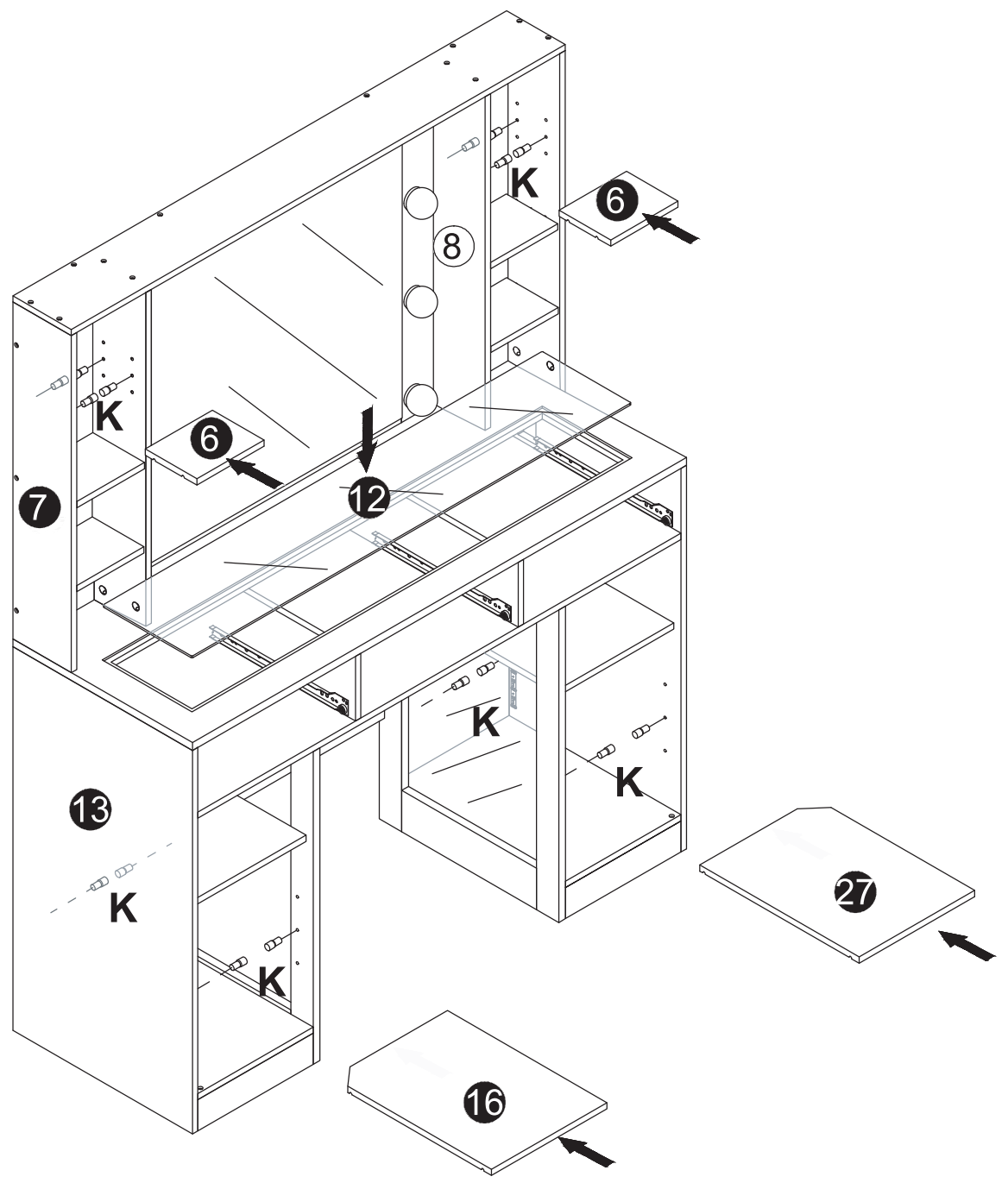
P-1







P-2

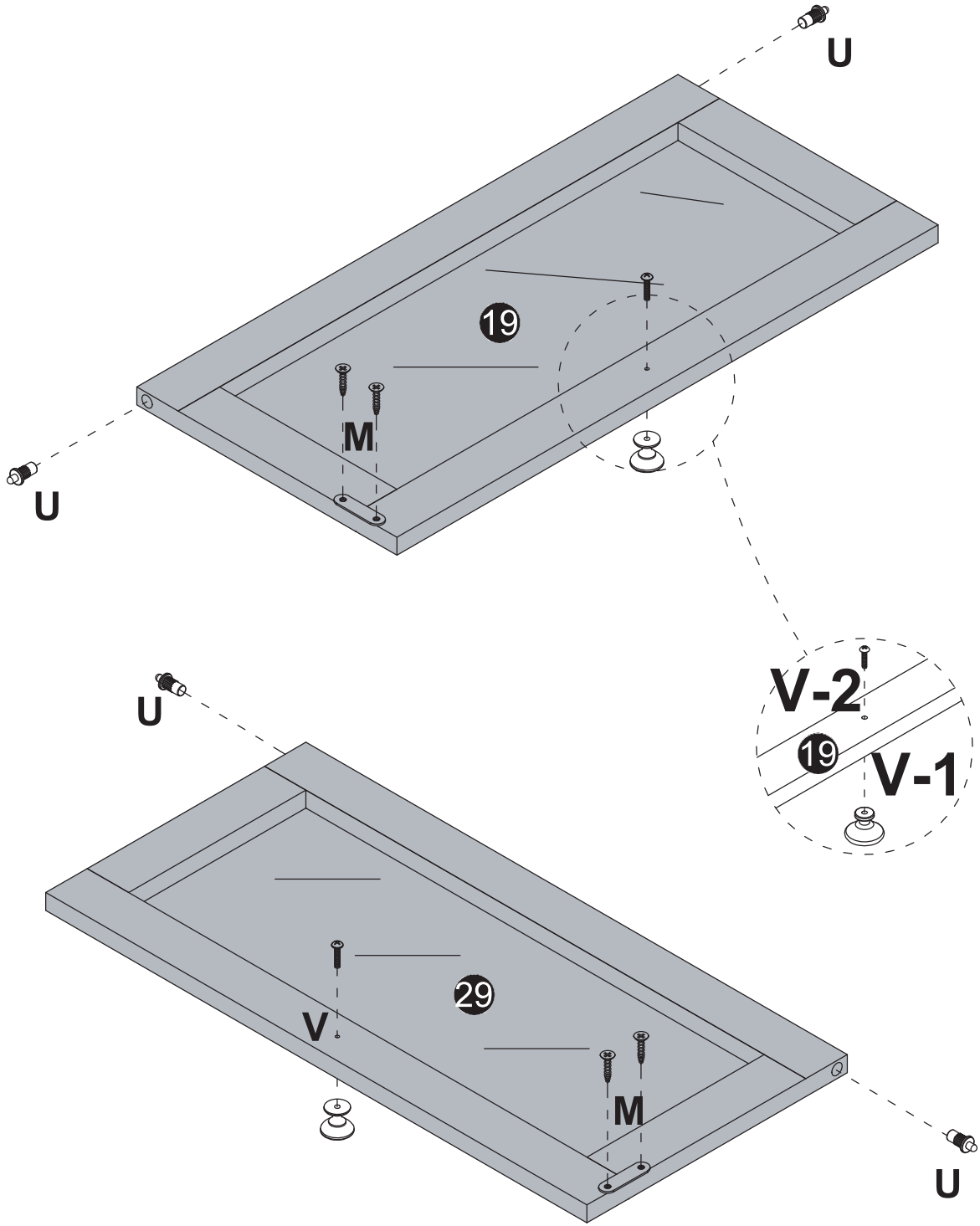
P-3

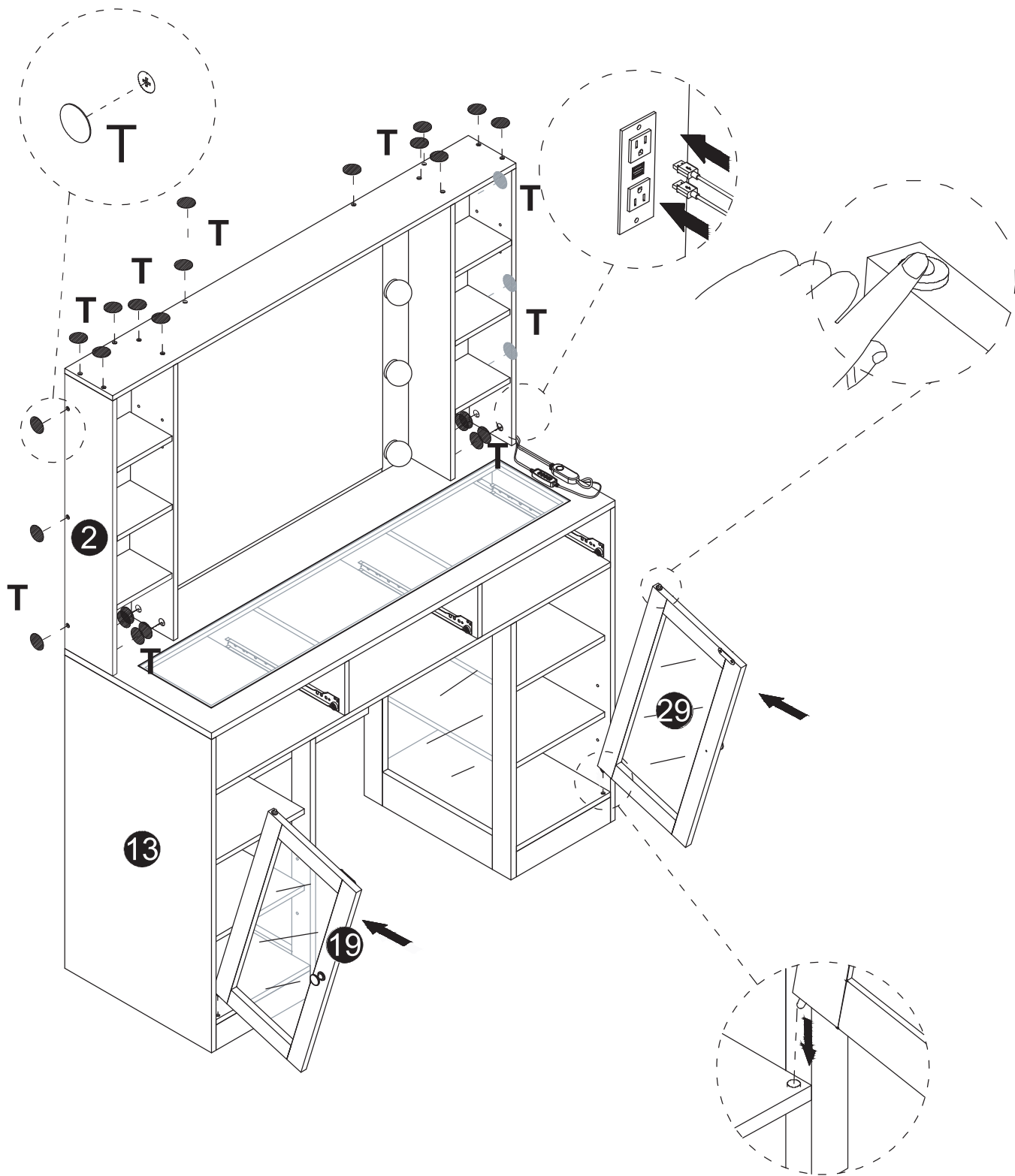
P-4



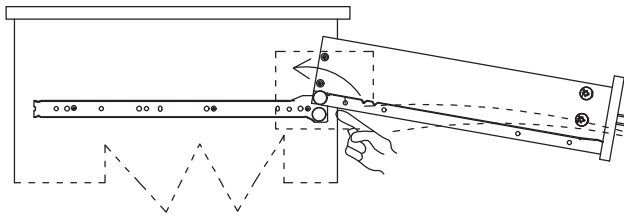


V-1	V x2	M-1	M x2	U x4
			 	

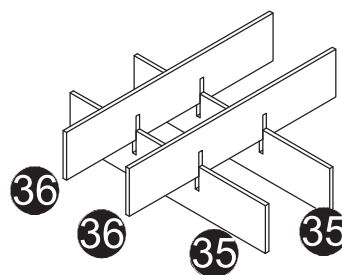
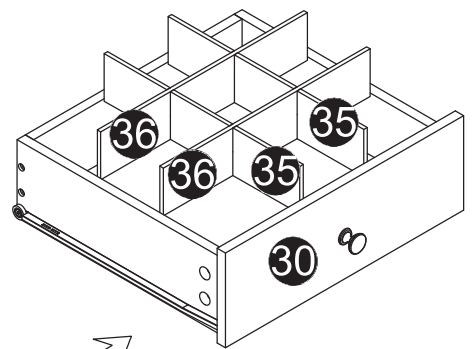
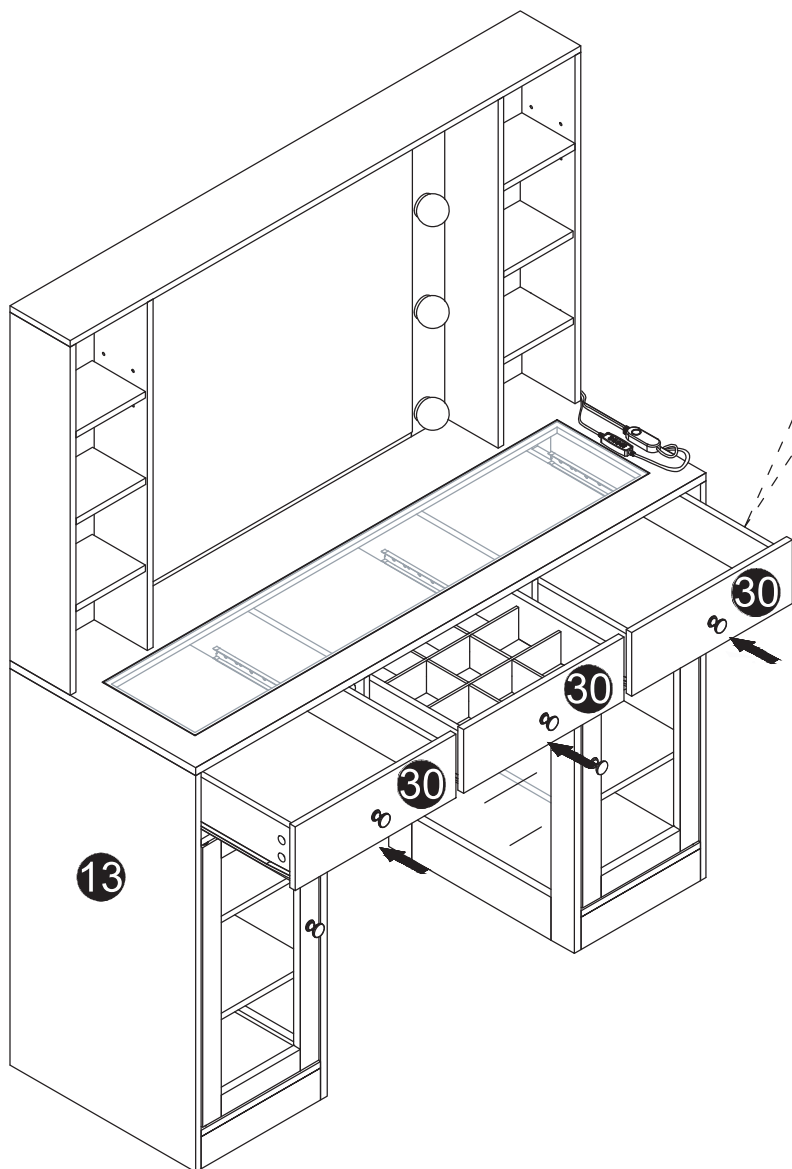
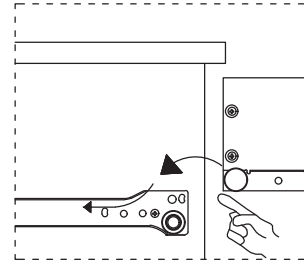
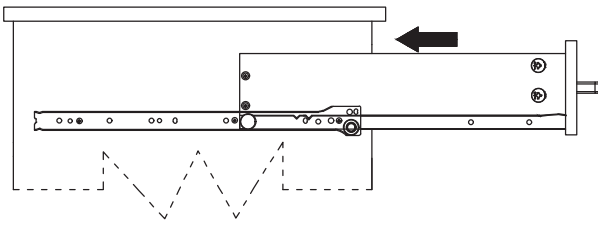


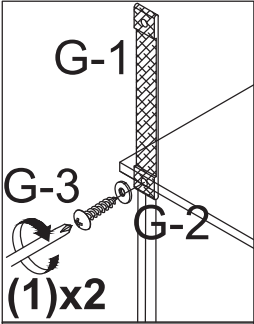
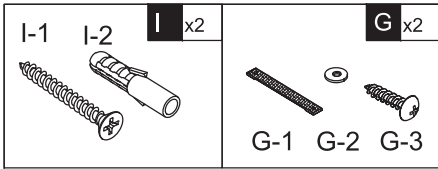


(1)

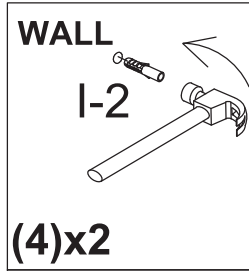


(2)

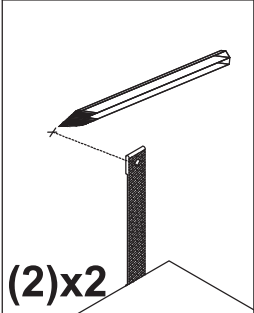




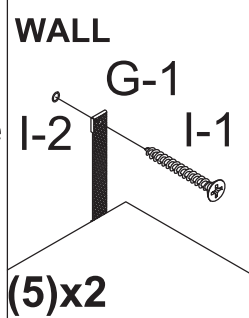
First fix the anti-rewind screw in the reserved hole of the product.



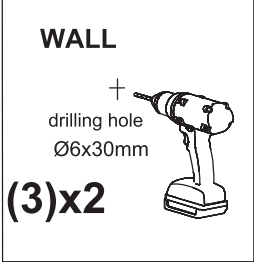
Then, put the expansion bolt into the hole



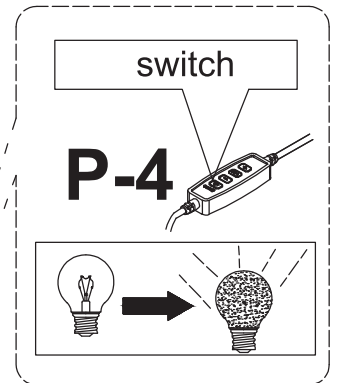
then, use a ruler to measure the approximate height of the product on the wall, and then mark it with a pen.



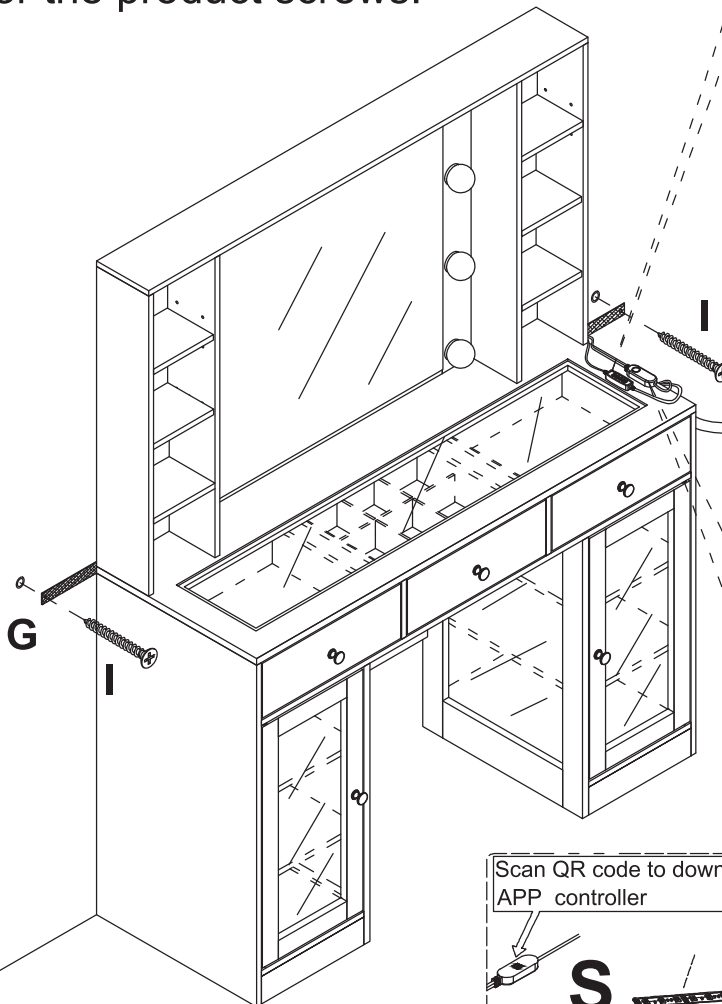
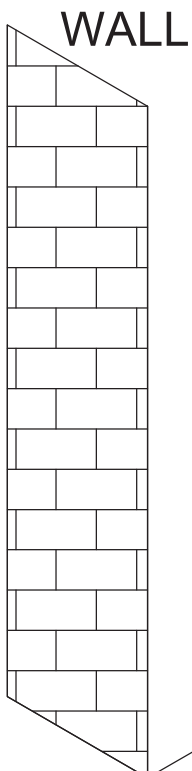
Finally, pass the matching screws through the "anti-rewind" and tighten them to fix them on the wall.



Then use a tape drill to make holes in the wall that are suitable for the product screws.



Power supply



Scan QR code to download APP controller

OR

Flip to the other side to find the control button

