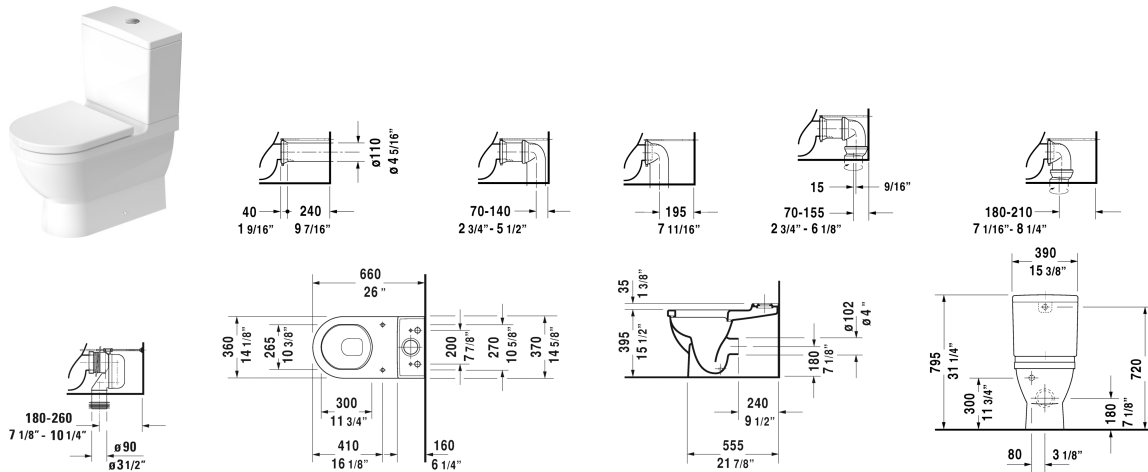


Starck 3 Toilet close-coupled # 012809..92 / 012809..92

| < 14 1/8" Inch > |



Toilet close-coupled	Dimension	Weight	Order number
(without tank), washdown model, hardware included, cUPC® listed*, WaterSense® listed			
Colors			
00 White 20 HygieneGlaze (an antibacterial ceramic glaze that provides almost indefinite effectiveness)			
Variant			
<ul style="list-style-type: none"> 1.6/0.8 gpf, outlet for vario connector set, for horizontal and vertical outlet, length adjustable from 2 3/4" - 7 7/8", and vario connecting bend, vertical outlet from 6 1/4" - 7 7/8" 	14 1/8" x 25 3/4" Inch	69 lb	012809..92
<ul style="list-style-type: none"> 1.6/0.8 gpf, outlet for vario connector set, for horizontal and vertical outlet, length adjustable from 2 3/4" - 7 7/8", and vario connecting bend, vertical outlet from 6 1/4" - 7 7/8" 	14 1/8" x 25 3/4" Inch	69 lb	012809..92
Infobox			
* Complies with following standards: ASME A112.19.2/CSA B45.1 and ASME A112.19.14, Not available with WonderGliss			
Accessory for ceramics			
Tank for bottom left supply, cUPC® listed*, WaterSense® listed	15 3/8" x 7 1/4" Inch	28.7 lb	092010
Vario connecting bend for vertical outlet		1.5 lb	899025
Vario connector set incl. offset	Ø 4 3/8" Inch	3.3 lb	001422
Suitable products			
Toilet seat and cover hinges stainless steel, without slow close,			006381

Starck 3 Toilet close-coupled # 012809..92 / 012809..92

|< 14 1/8" Inch >|

Toilet seat and cover hinges stainless steel, removable, with slow close,

006389

All drawings contain the necessary measurements which are subject to standard tolerances. They are stated in inch & mm and are non-binding. Exact measurements, in particular for customized installation scenarios, can only be taken from the finished ceramic piece.