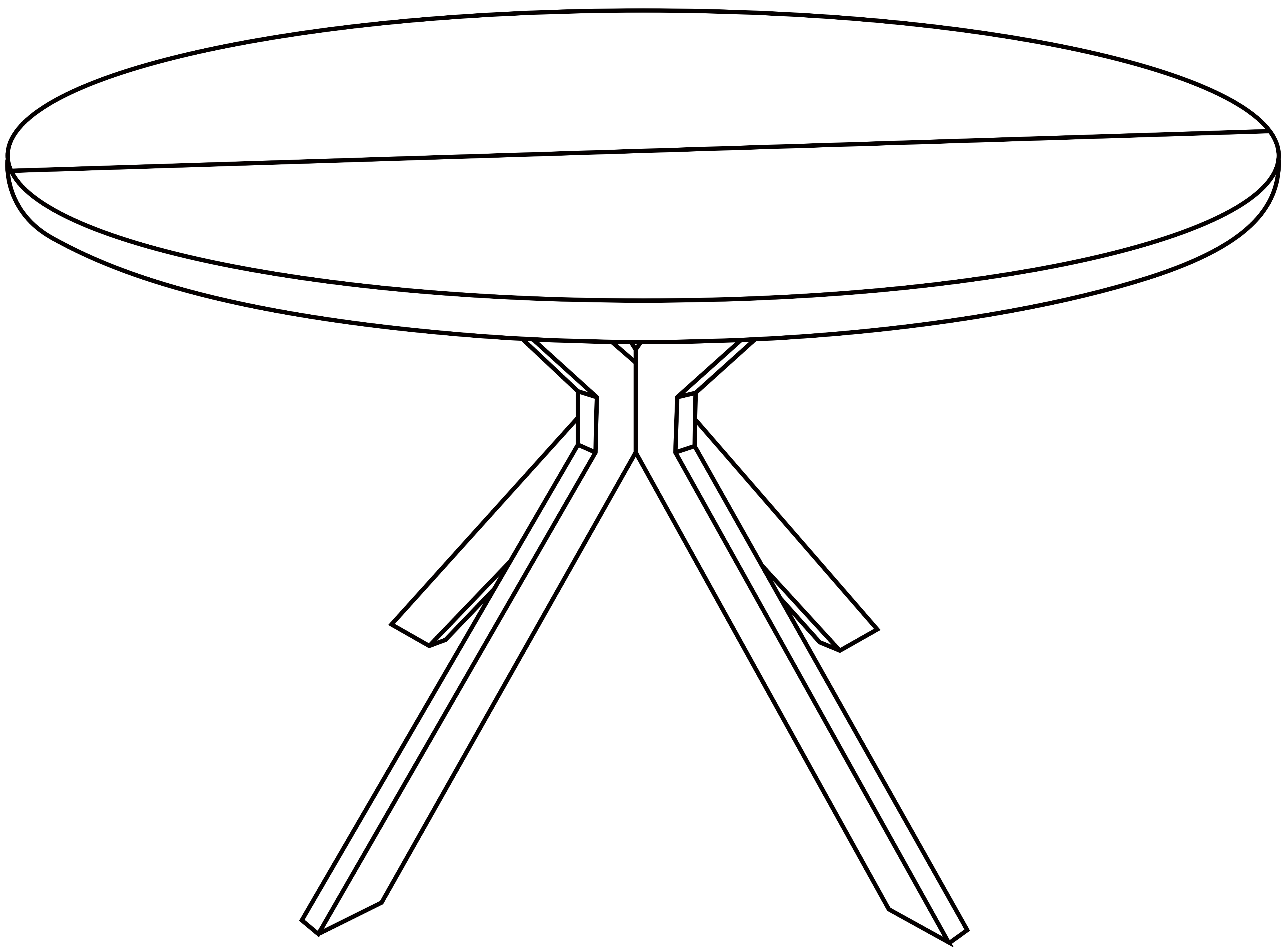


STARY

Assembly Manual Dining Table

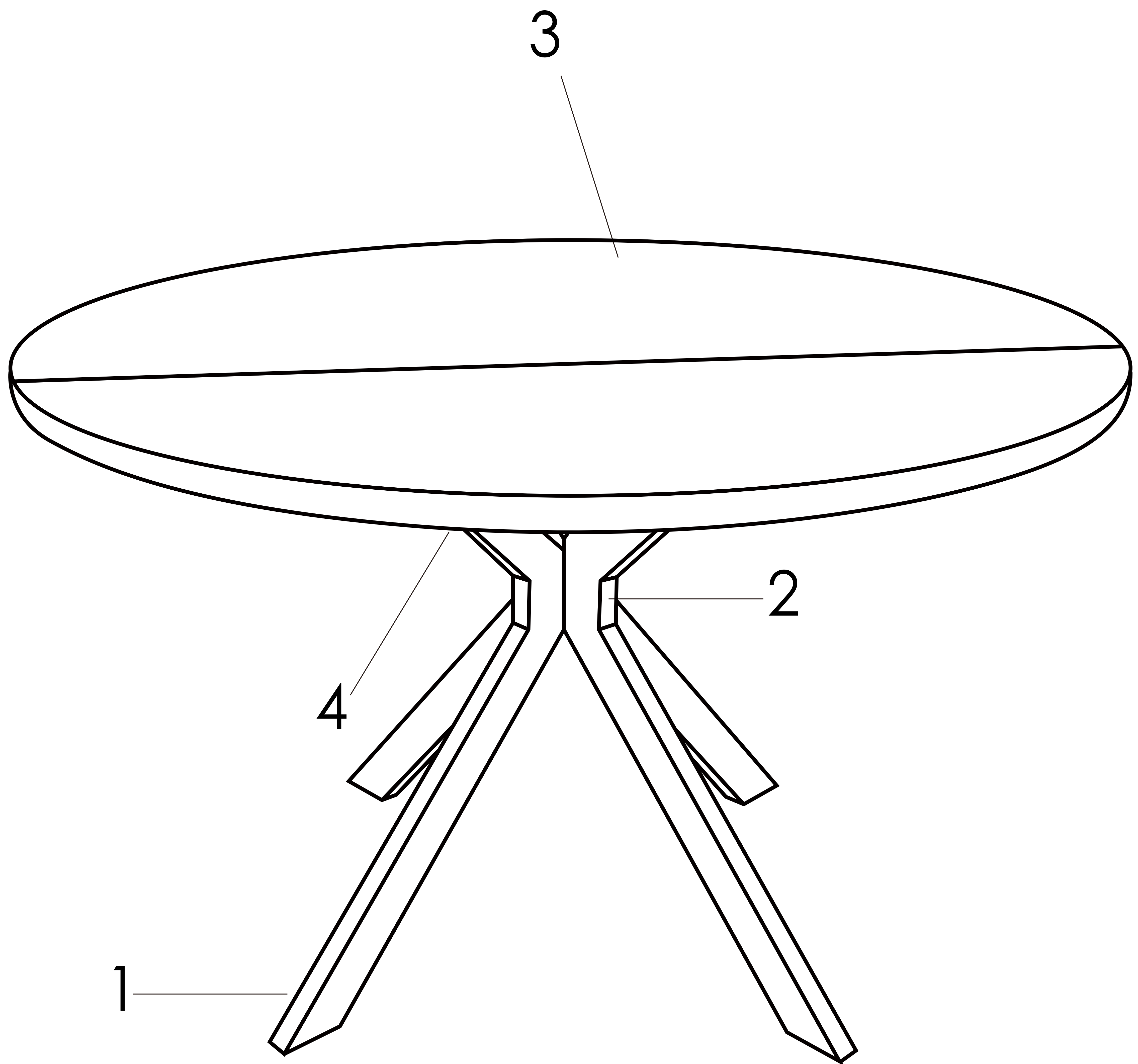
DT014



Please read this manual carefully before any operation and keep it properly for future use.

If any problems on our product, please feel free to contact us at [**ecservice@isunon.com**](mailto:ecservice@isunon.com).

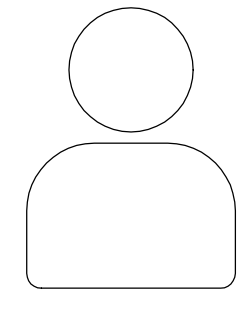
Exploded View



Components List

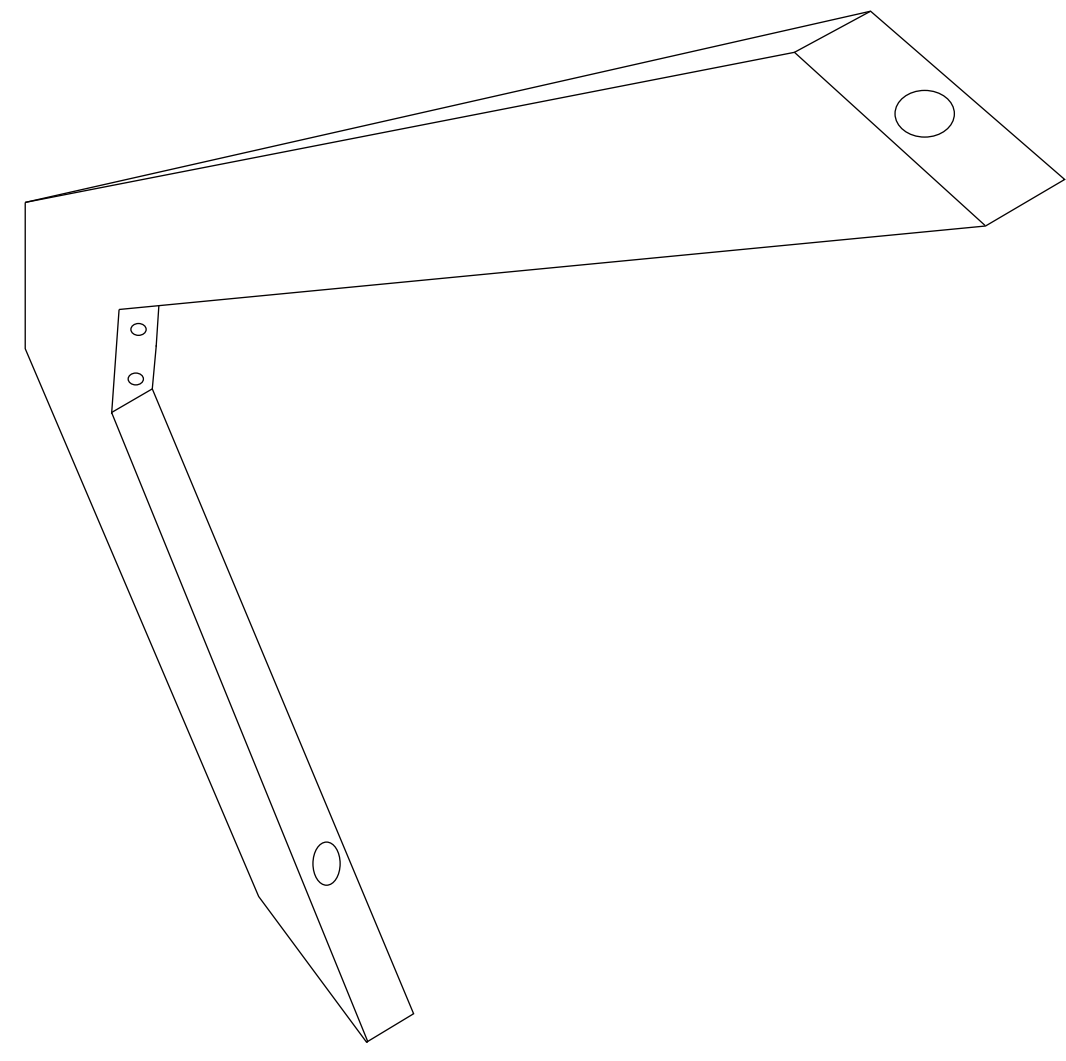
15 min

Assembly Time



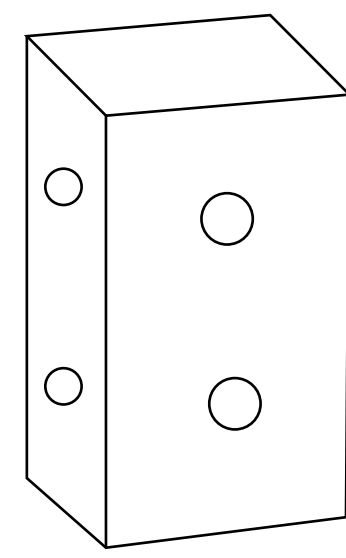
One People

Note: The number after "+" sign indicates the extra piece(s).



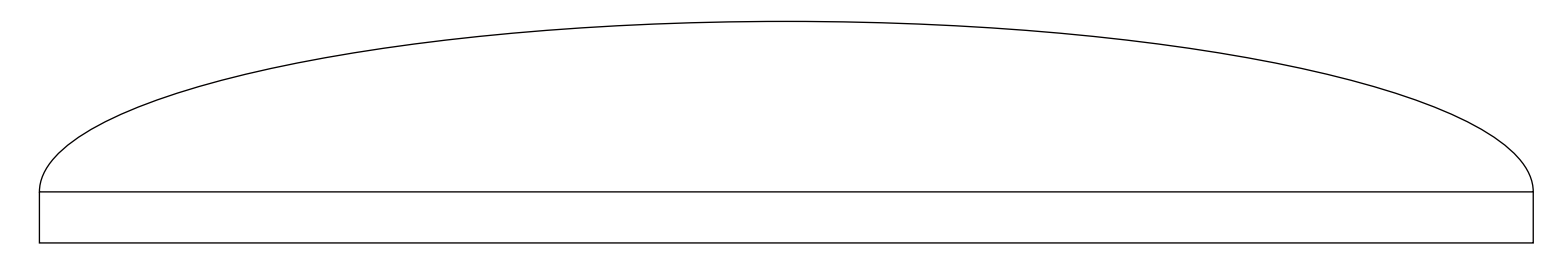
1

leg*4



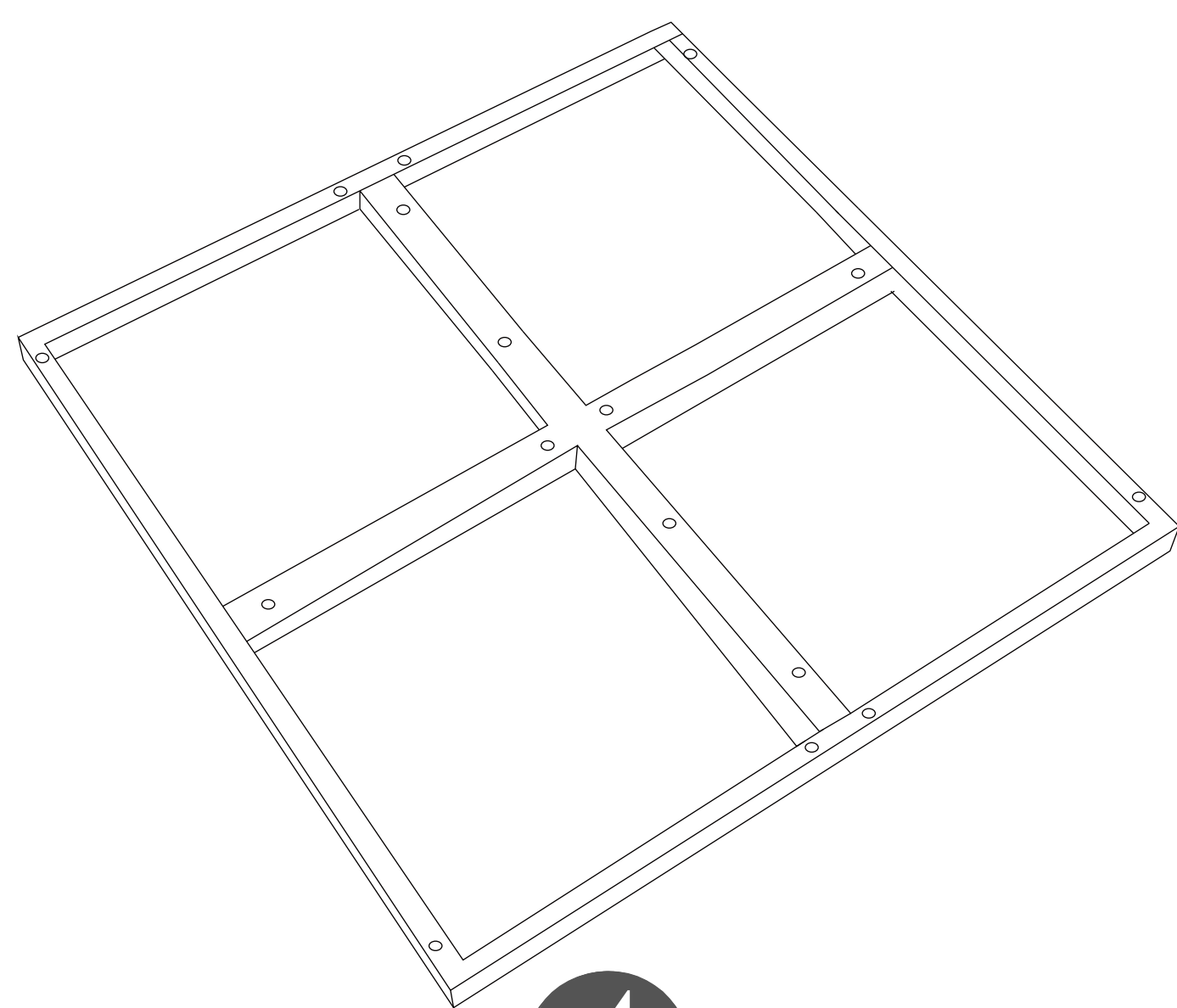
2

Middle connector*1



3

Desktop*2



4

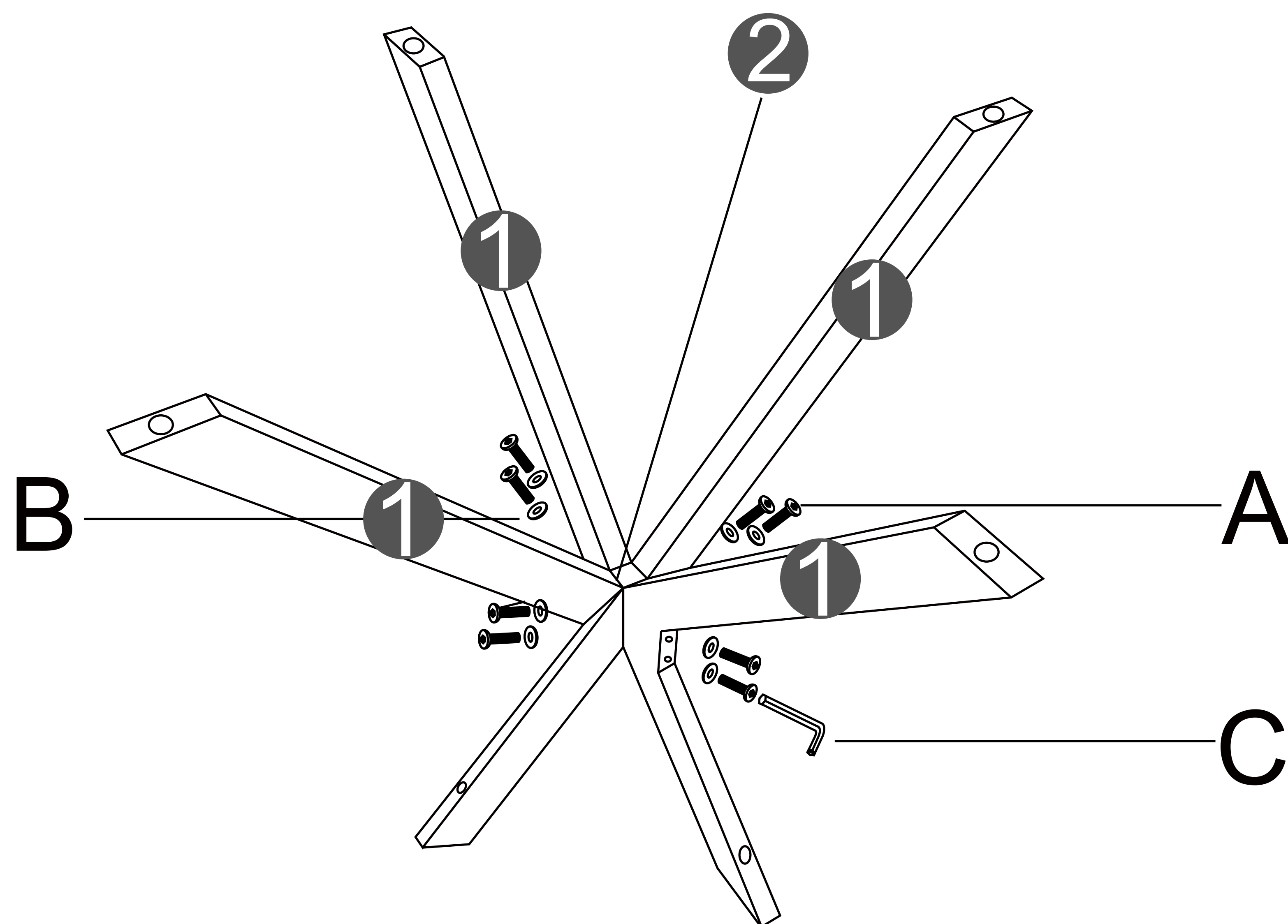
Frame*1

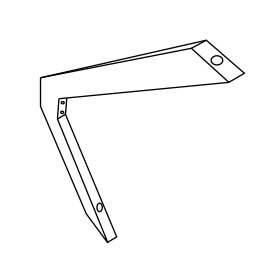
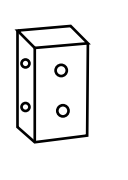
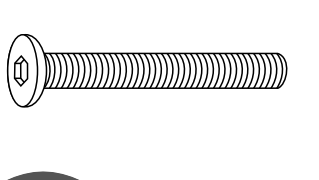
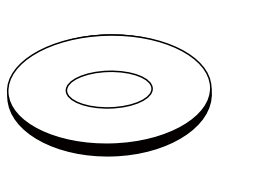
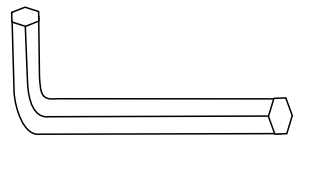
A			B			C			D			E		
Bolt	M8x70mm	8+1	Washer	M8x16x1.5mm	12+2	Allen wrench	#5	1	connector		2	Bolt	M6x16mm	8+1
F			G			H			I					
Washer	M6x14x1.5mm	18+2	Bolt	M6x40mm	10+2	Adjustable leg		4+1	Bolt	M8x16mm	4+1			

Assembly Instruction

STEP 1

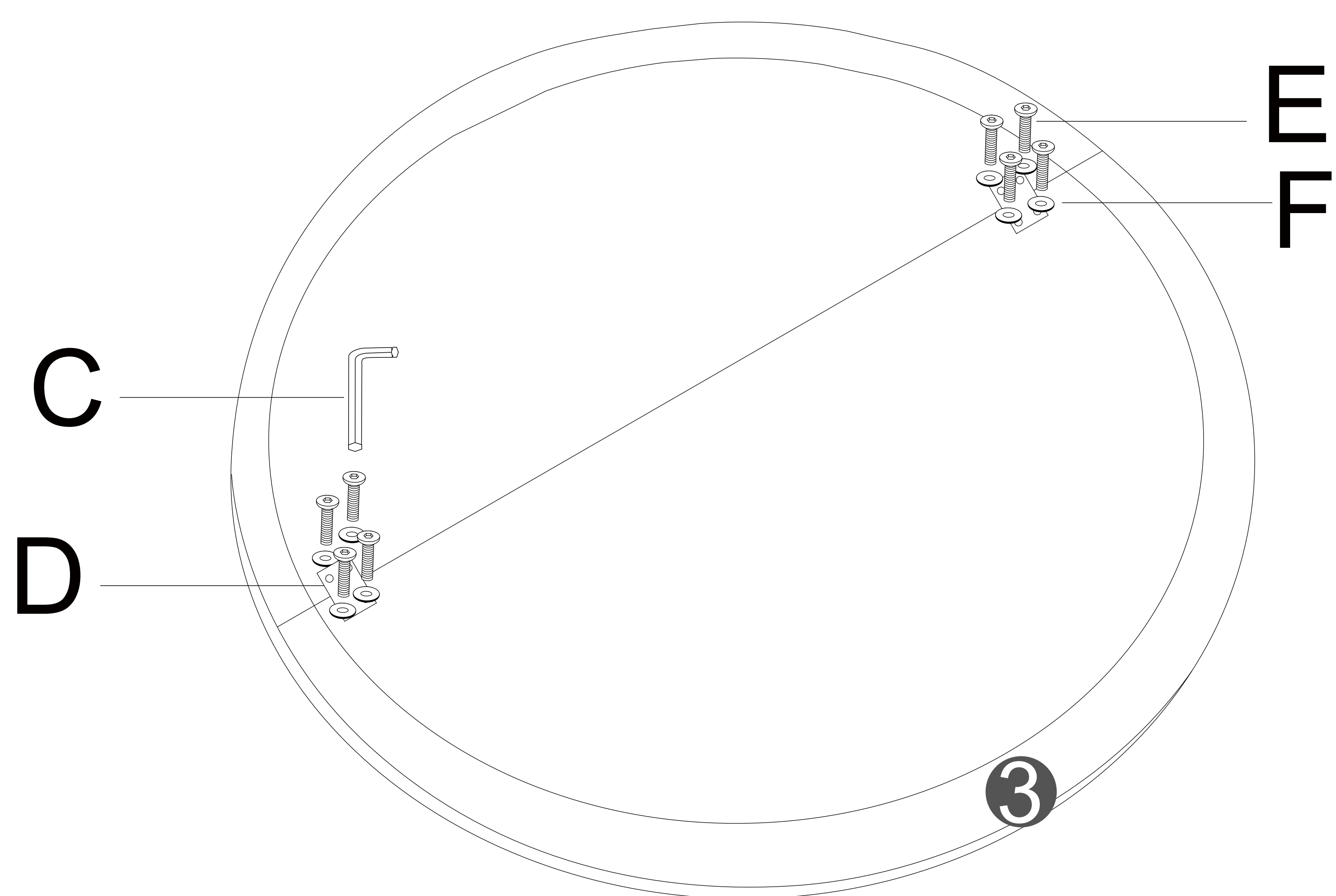
Connect legs(1) to the middle connector(2) using washers(B),bolts(A) and Allen wrench(C)

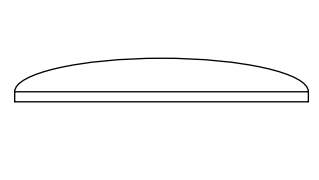
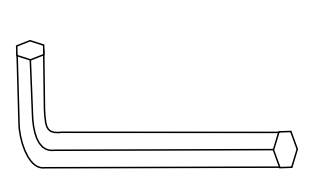
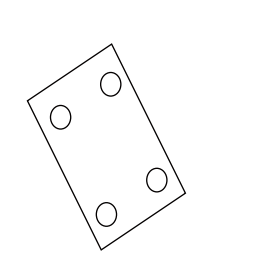
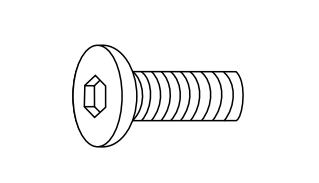
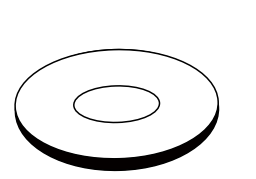


-  1*4
-  2*1
-  A*8
-  B*8
-  C*1

STEP 2

Connect desktops(3) to the middle connector(D) using washers(F),bolts(E) and Allen wrench(C)

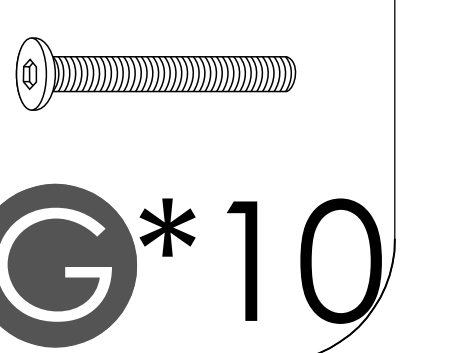
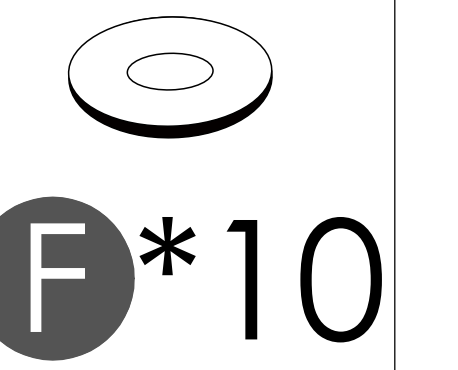
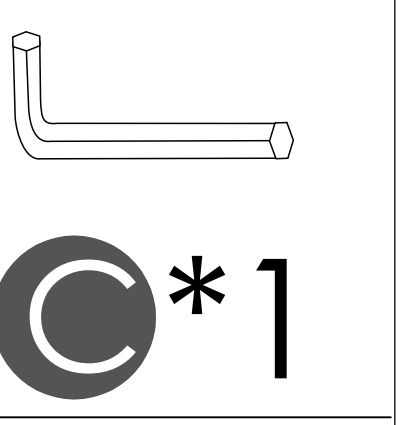
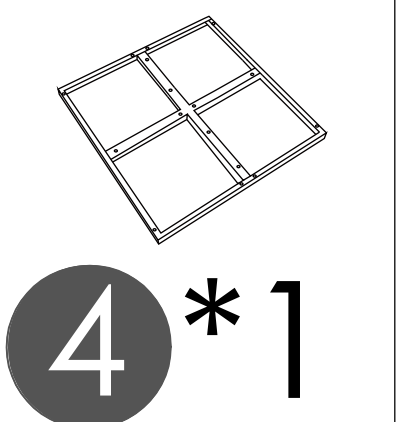
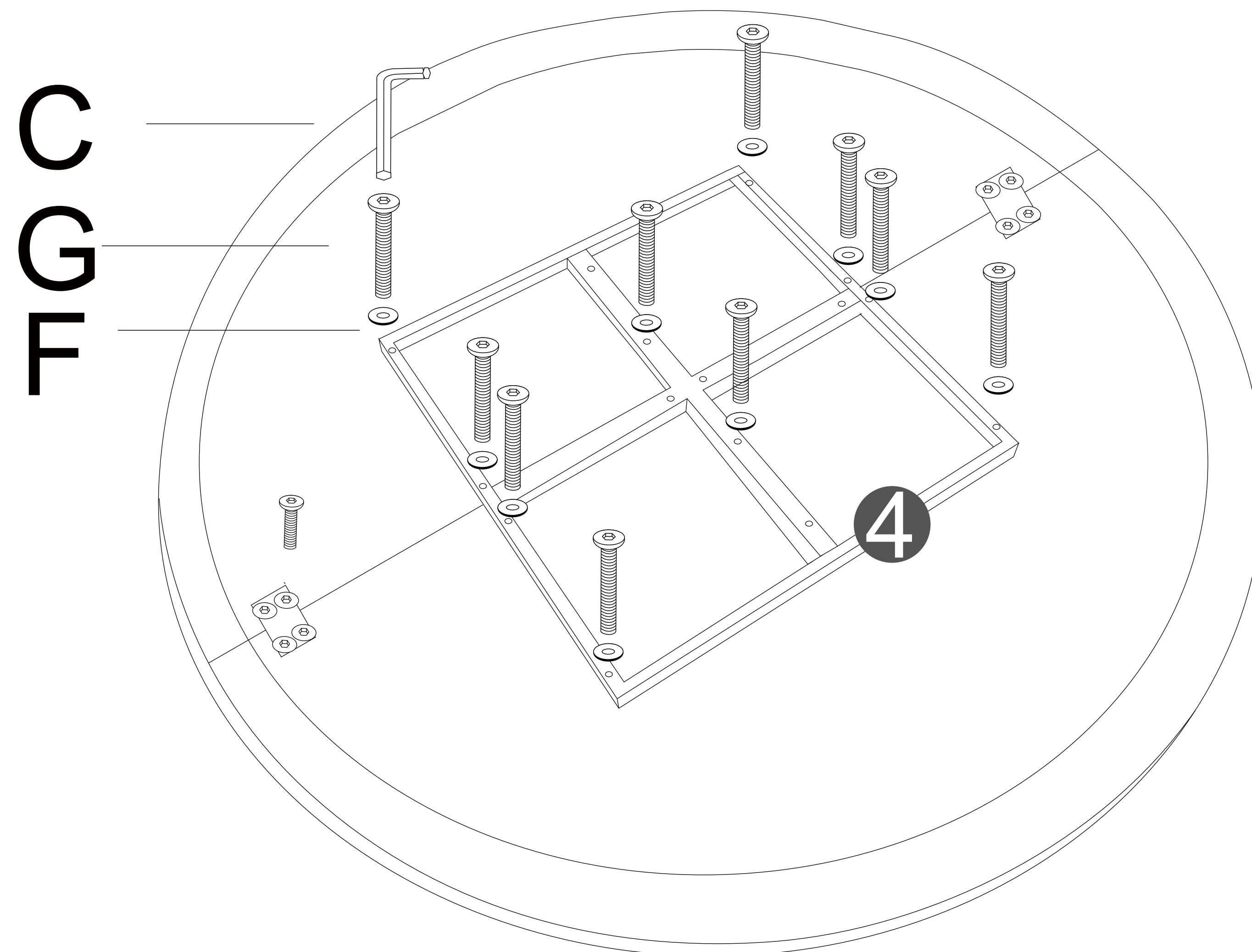


-  3*2
-  C*1
-  D*2
-  E*8
-  F*8

Assembly Instruction

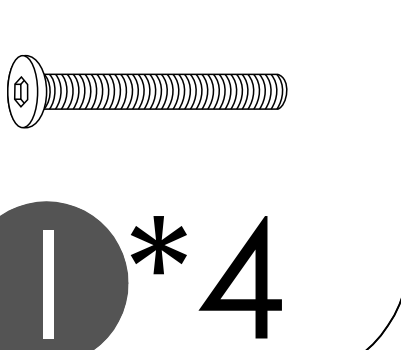
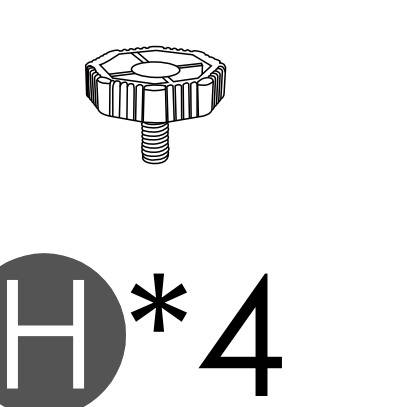
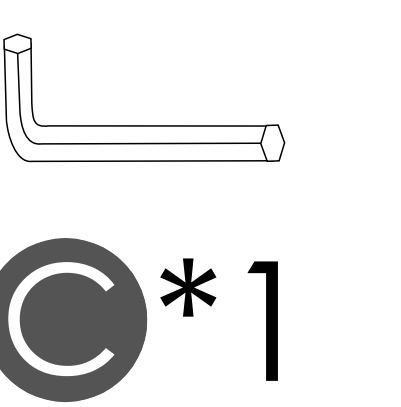
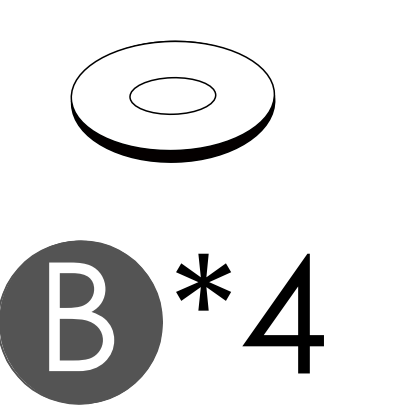
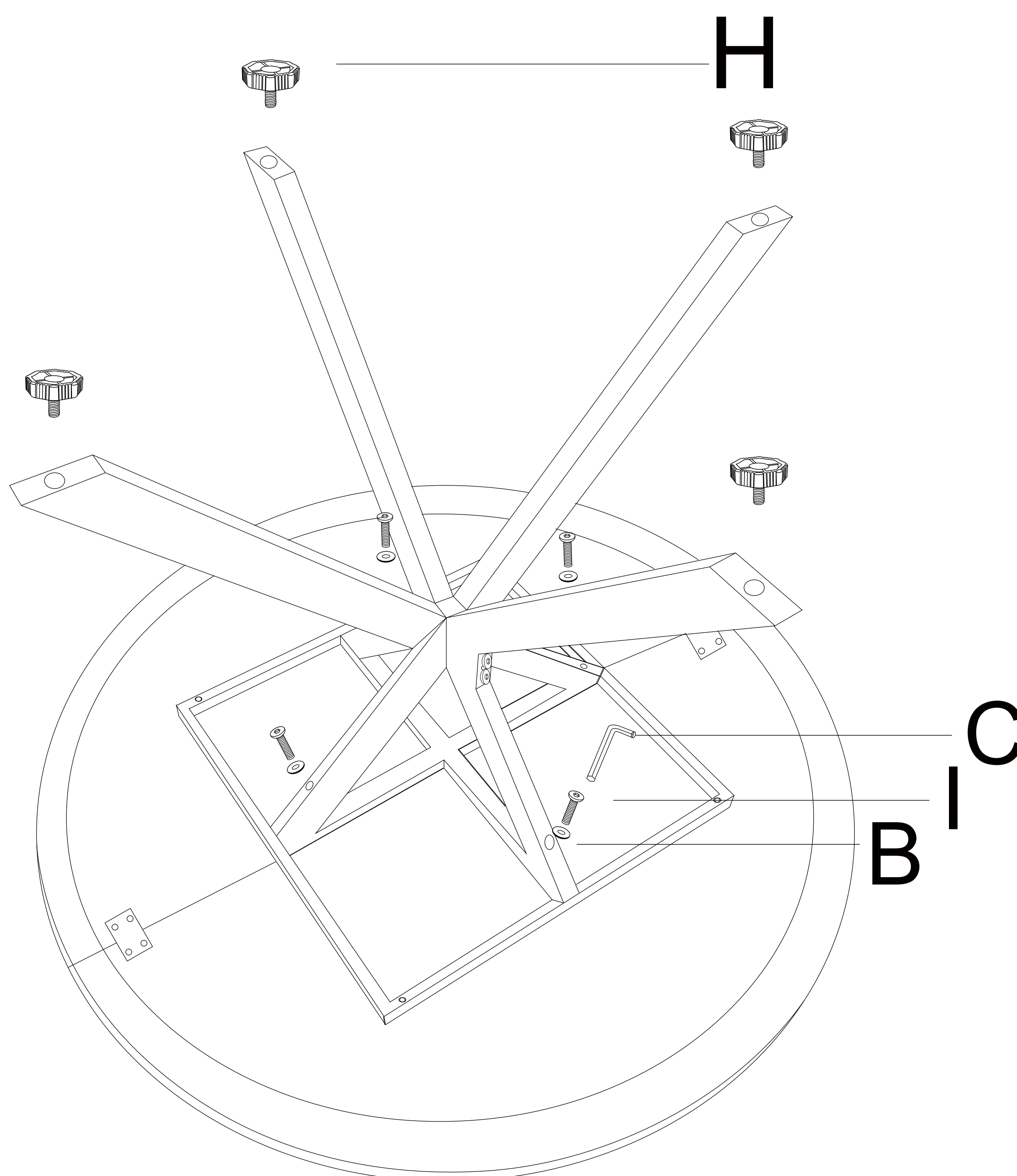
STEP 3

Attach frame(4) to the desktops using washers(F) bolts(G) and Allen wrench(C)



STEP 4

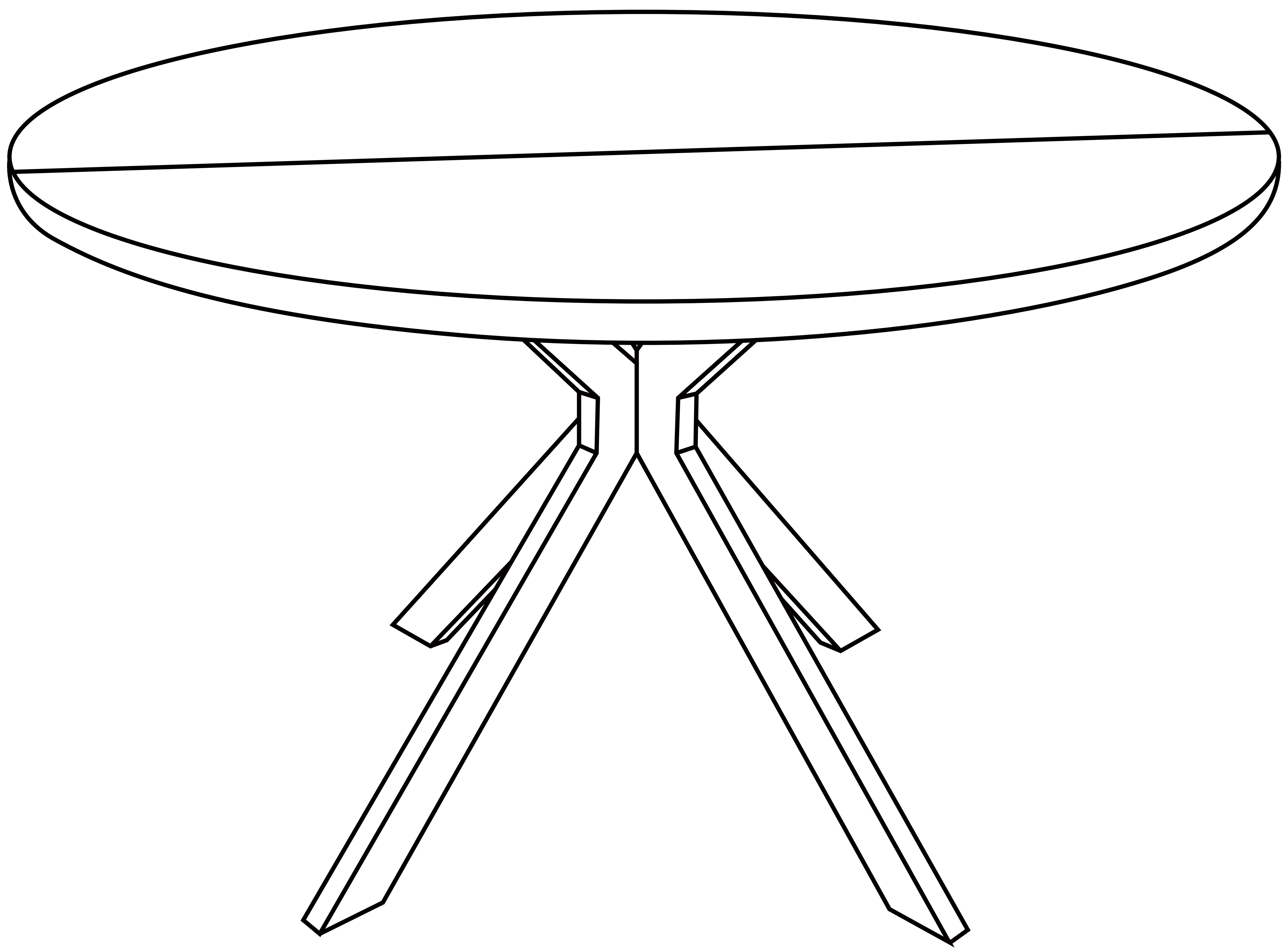
Attach legs to the frame using bolts(I) and Allen wrench(C)
Rotate the adjustable legs(H) into the bottom of legs. If you find the desk is not level, just rotate the adjustable legs



Assembly Instruction

STEP 5

The assembly is done



DONE