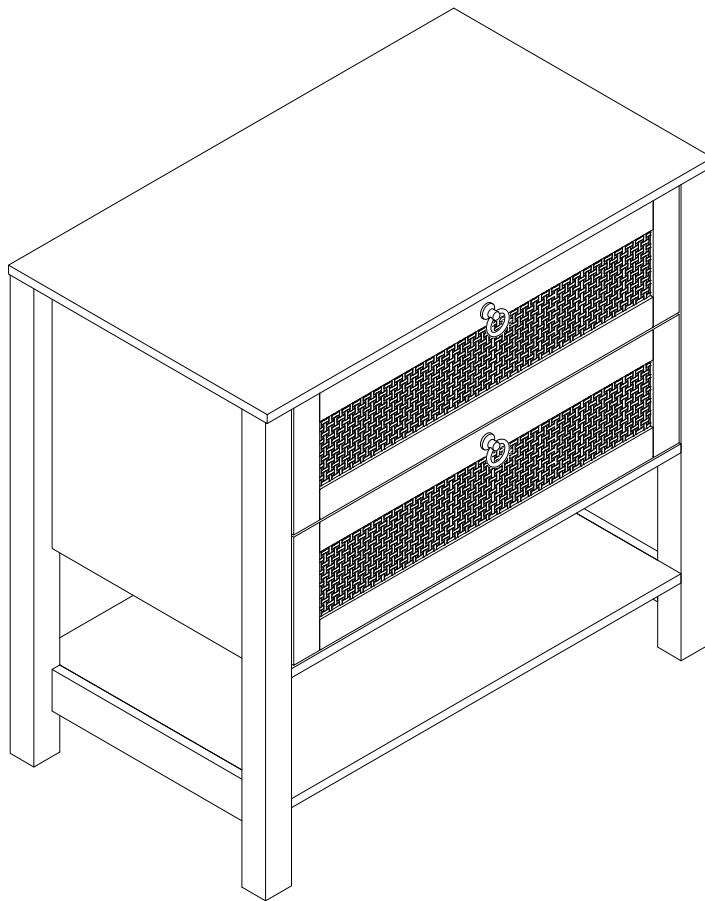


# Owner Manual

---

## End Table



***PLEASE READ CAREFULLY AND FOLLOW THE INSTRUCTIONS MANUAL  
TO ASSEMBLE YOUR FURNITURE.  
PLEASE KEEP THE INSTRUCTIONS MANUAL FOR FUTURE REFERENCE.***

---

# READ BEFORE ASSEMBLY

## **1. SAFETY INFORMATION**

---

- DO NOT step on the top of the item. DO NOT use this item as a stepladder.
- Secure the item with the anti-tip device (if provided) to avoid tip-over.
- Tighten all the parts and screws before moving the item.
- DO NOT put stuffs overweight on the item.

## **2. ASSEMBLY TIPS**

---

- Place place the parts and assemble the item on a carpet or a soft surface to avoid scratches.
- Check and identify all parts/pieces before assembly and assemble the item step by step according to the instructions maunal.
- For your safety and efficiency of the assembly, we recommend two or more adults to cooperate.
- Never move the item before all screws are tighten to avoid collapse.

## **3. CARE & CLEANING TIPS**

---

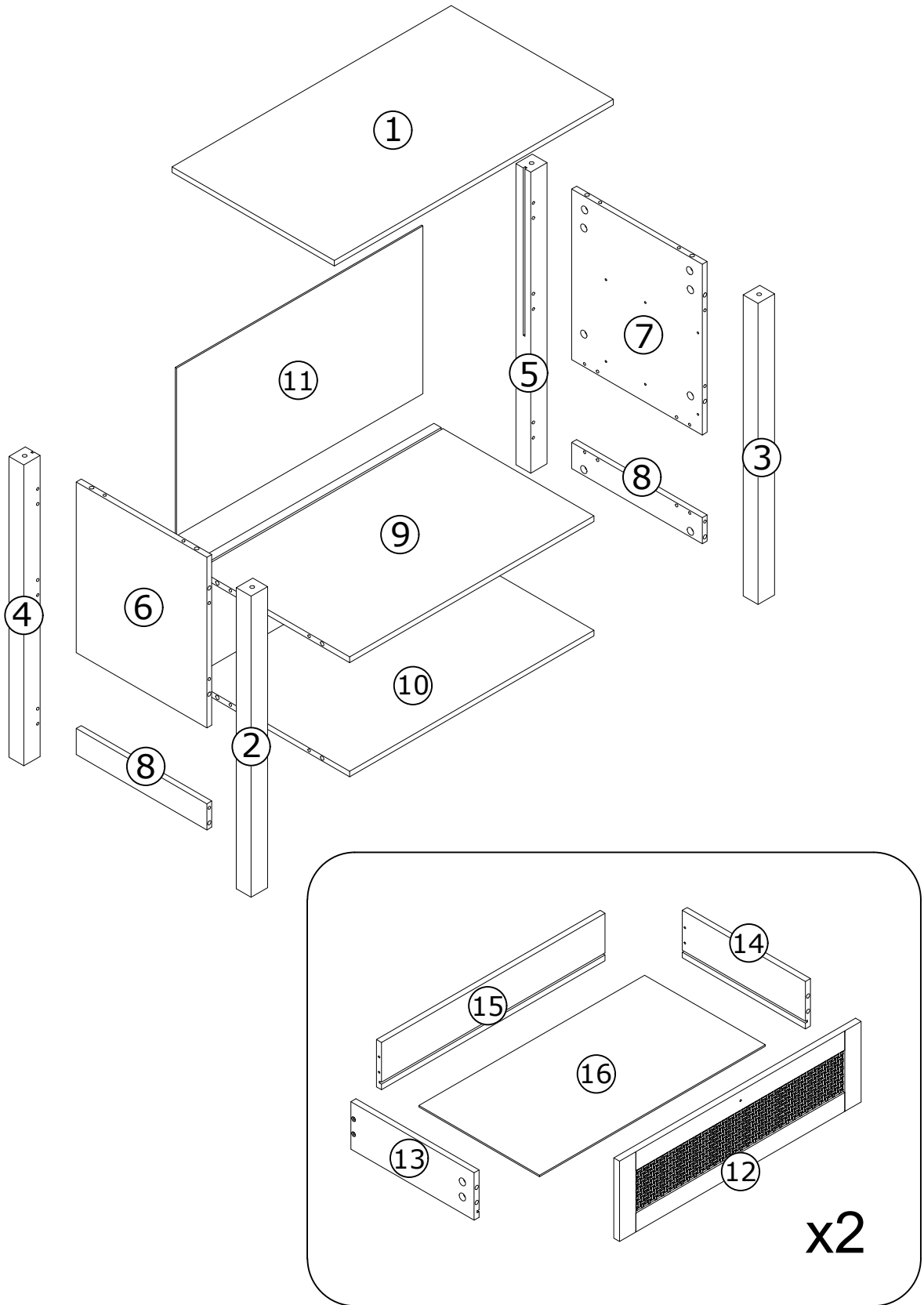
- Wipe the item with dry soft cloth to avoid scratch.
- Check periodically in case any fittings become loose.
- Never let water stay long on the surface in case the top material swells.
- Always remove all contents before relocating the cabinet. Never attempt to move while loaded.

## **4. WARRANTY SERVICE**

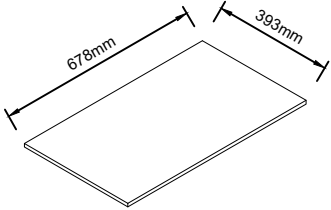
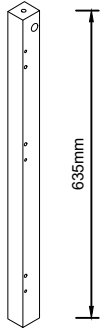
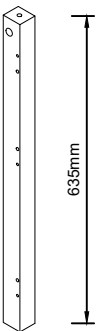
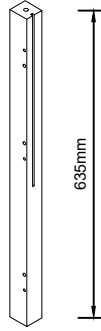
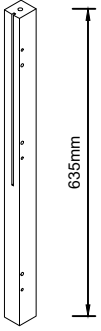
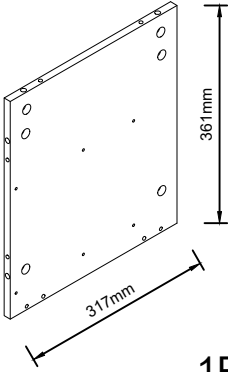
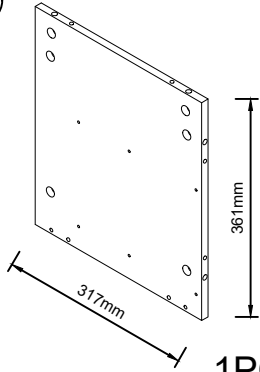
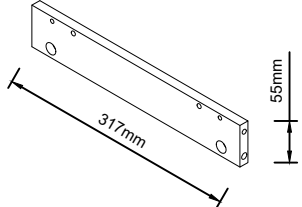
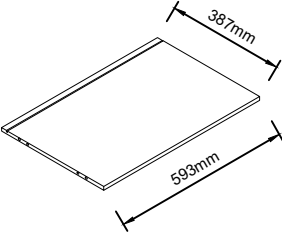
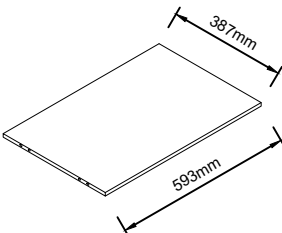
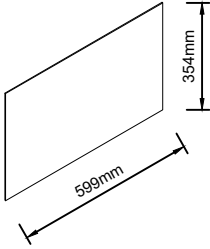
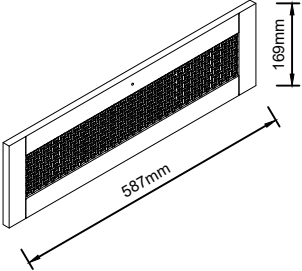
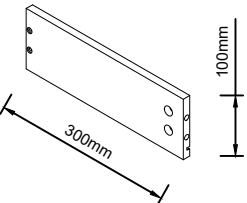
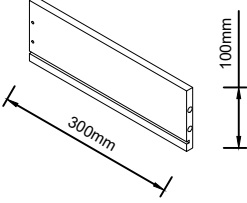
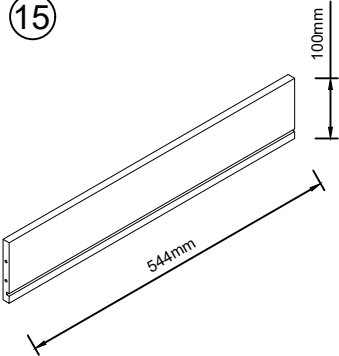
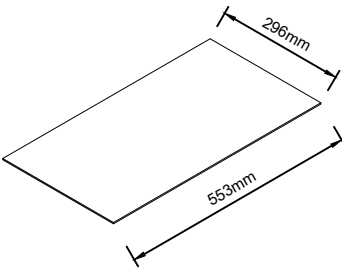
---

- We offer 30-day warranty for the items. If any part/piece is defefctive, missing or damaged, please contact us for support.

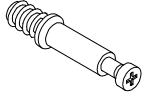
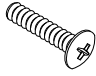
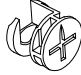

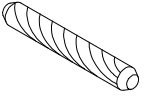
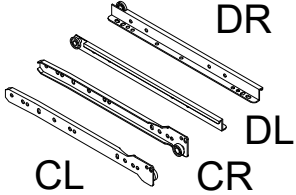
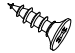

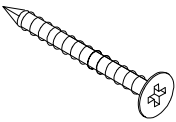
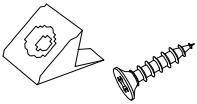
# Parts & Hardware List



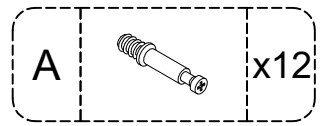
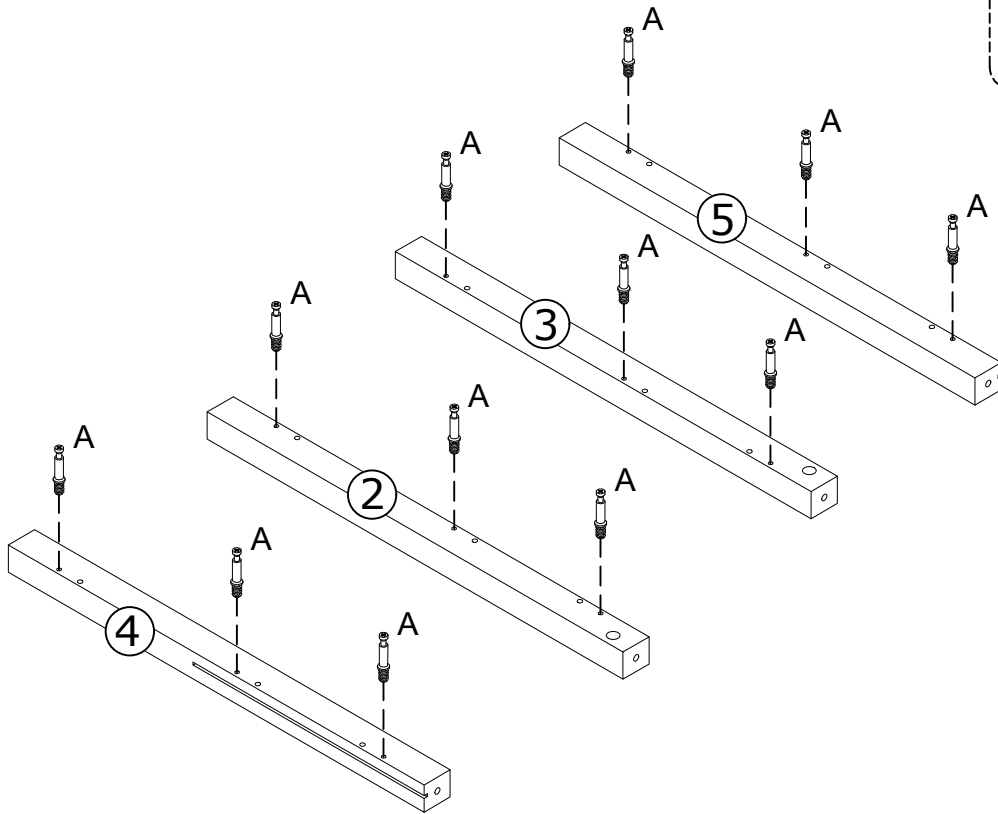
# Parts & Hardware List

<p>①</p>  <p>1PC</p>	<p>②</p>  <p>1PC</p>	<p>③</p>  <p>1PC</p>	<p>④</p>  <p>1PC</p>
<p>⑤</p>  <p>1PC</p>	<p>⑥</p>  <p>1PC</p>	<p>⑦</p>  <p>1PC</p>	<p>⑧</p>  <p>2PCS</p>
<p>⑨</p>  <p>1PC</p>	<p>⑩</p>  <p>1PC</p>	<p>⑪</p>  <p>1PC</p>	<p>⑫</p>  <p>2PCS</p>
<p>⑬</p>  <p>2PCS</p>	<p>⑭</p>  <p>2PCS</p>	<p>⑮</p>  <p>2PCS</p>	<p>⑯</p>  <p>2PCS</p>

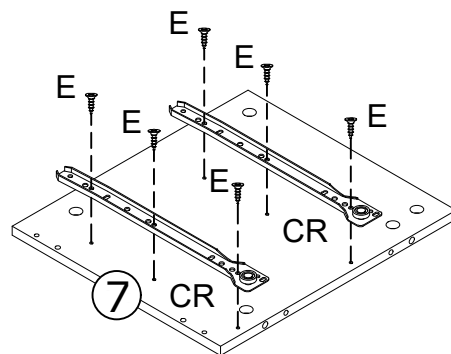
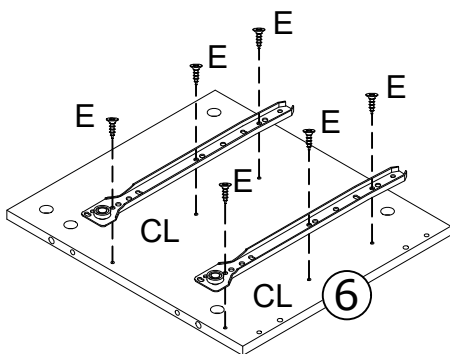
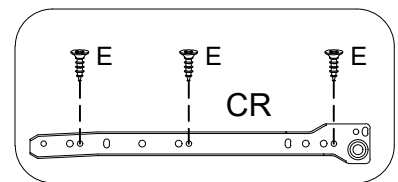
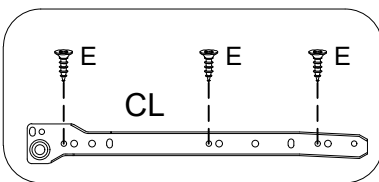
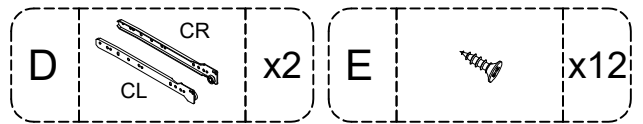
## Parts & Hardware List

<p><b>A</b></p>	 M6x35mm	<p>x36</p>	<p><b>I</b></p>	 M4x18mm	<p>x2</p>
<p><b>B</b></p>	 M15x10mm	<p>x36</p>	<p><b>J</b></p>	 	<p>x2</p>
<p><b>C</b></p>	 M6x30mm	<p>x24</p>			
<p><b>D</b></p>	 DR DL CL CR	<p>x2</p>			
<p><b>E</b></p>	 M3x12mm	<p>x24</p>			
<p><b>F</b></p>		<p>x4</p>			
<p><b>G</b></p>	 M4x35mm	<p>x8</p>			
<p><b>H</b></p>		<p>x4</p>			

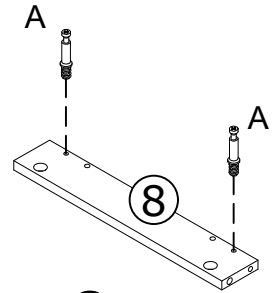
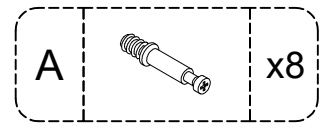
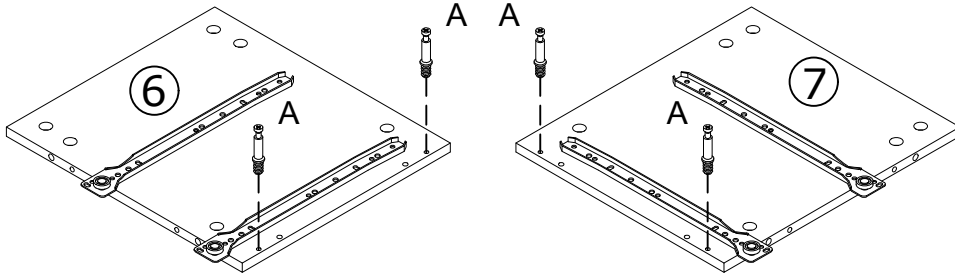
1



2

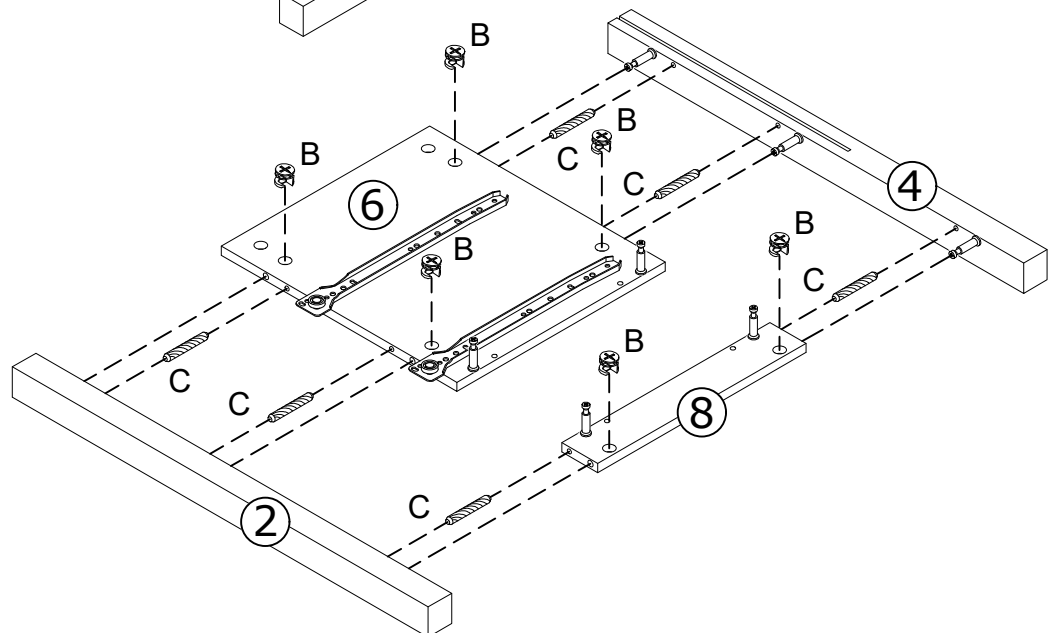
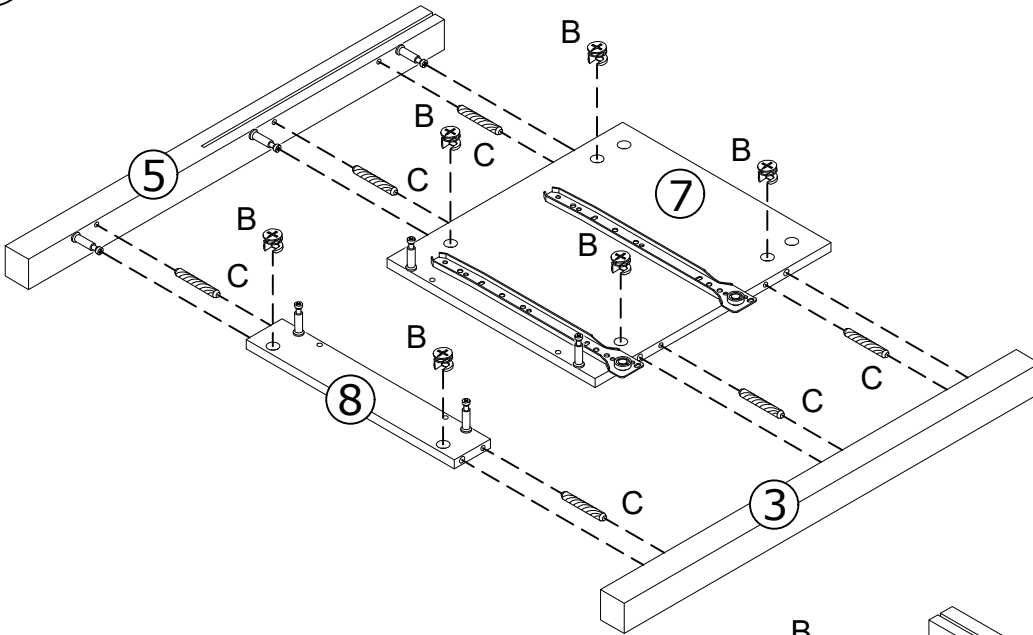


3

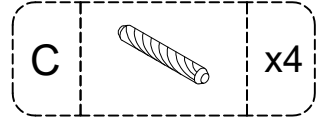
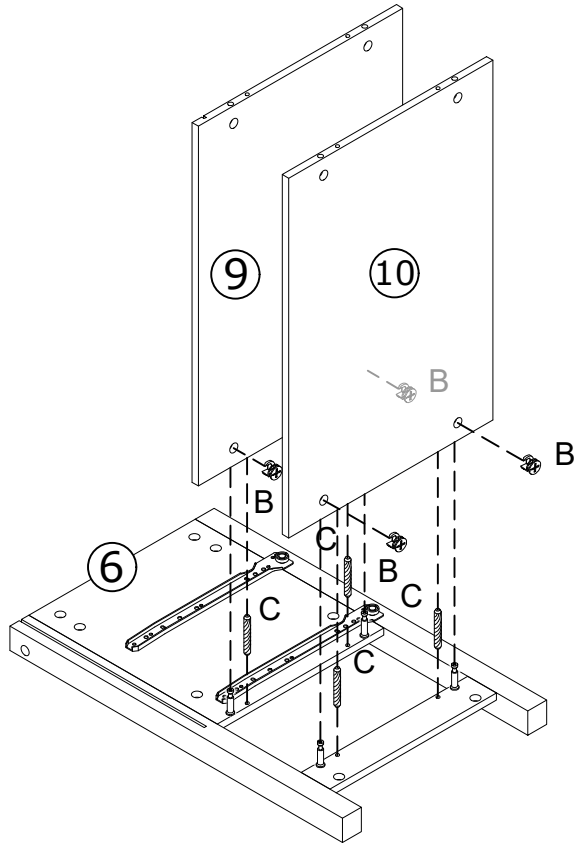


x2

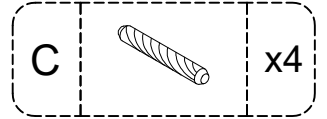
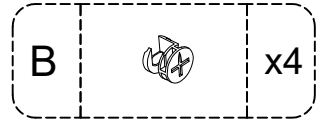
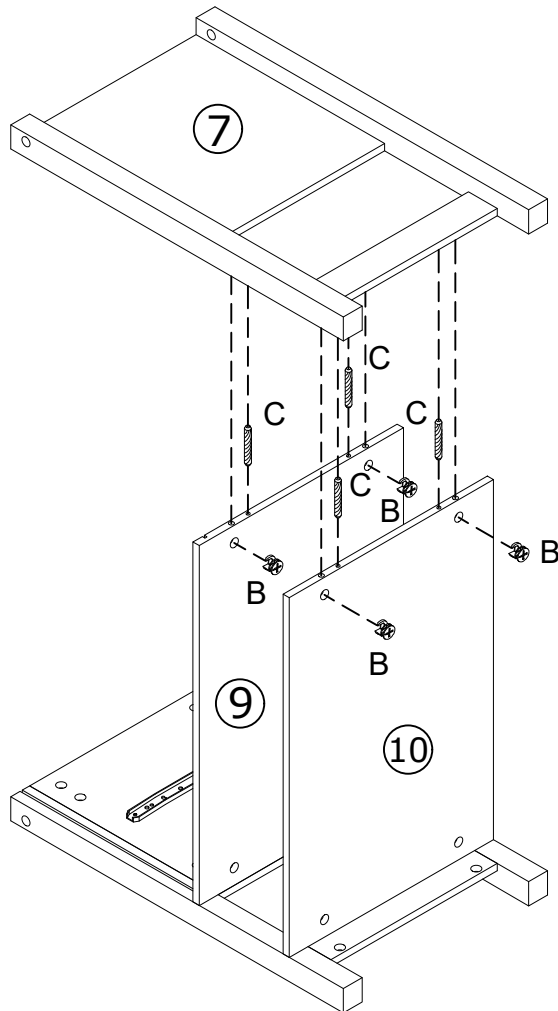
4



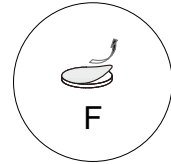
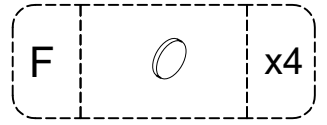
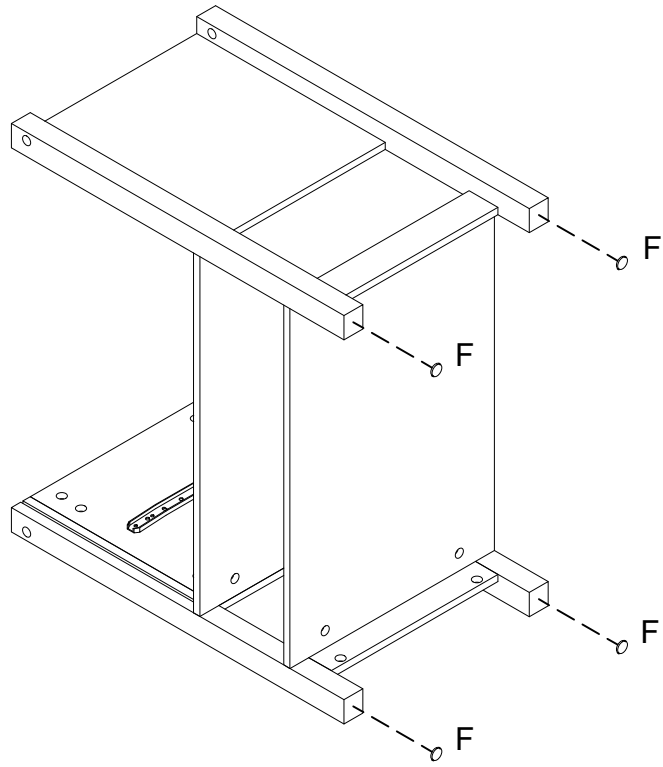
5



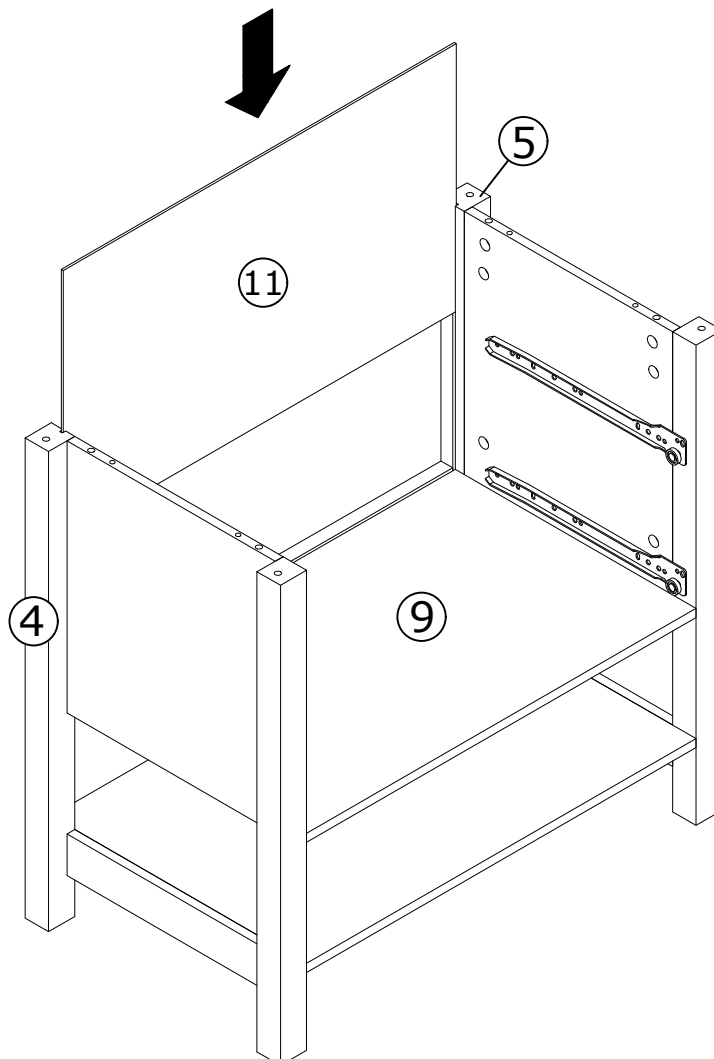
6



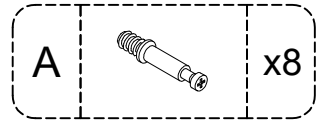
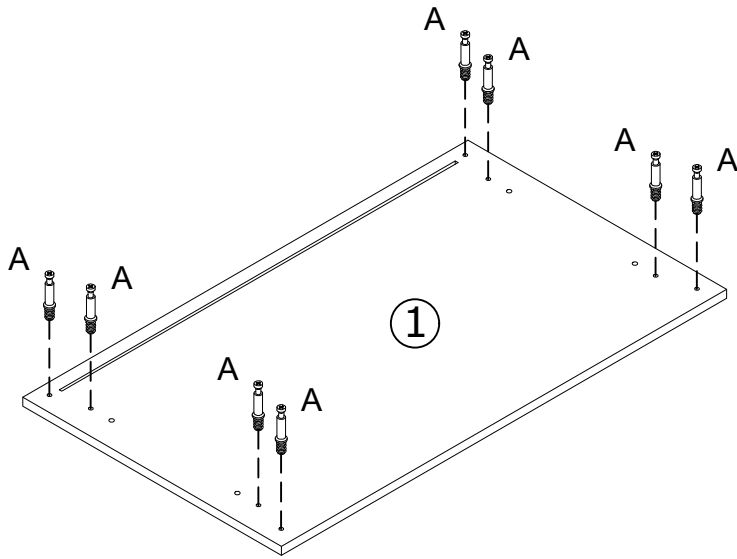
7



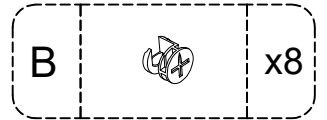
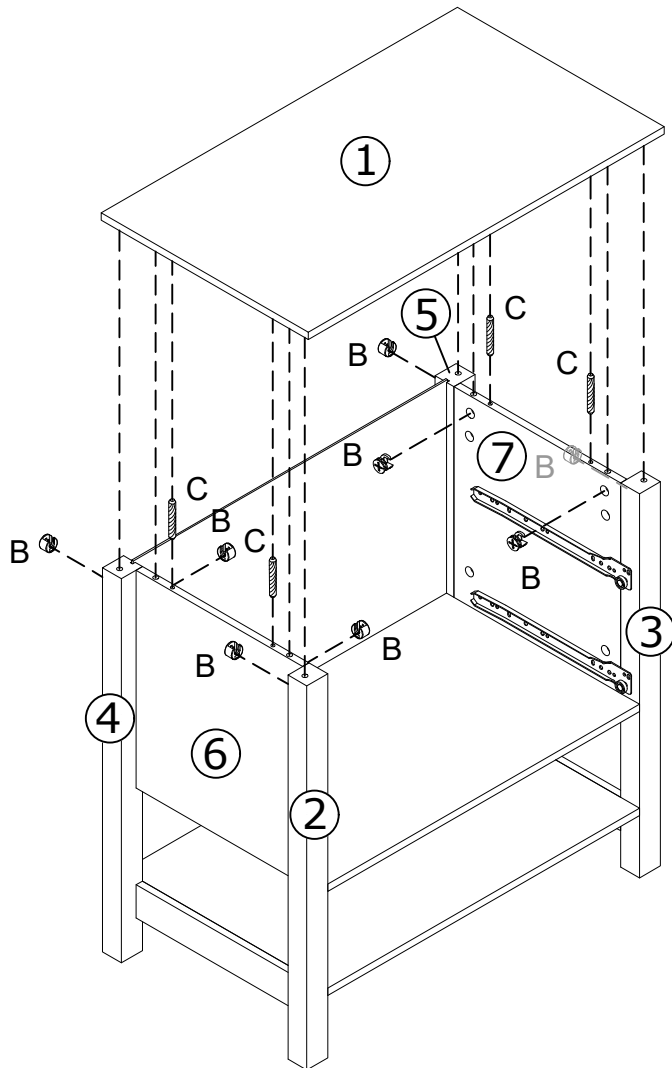
8



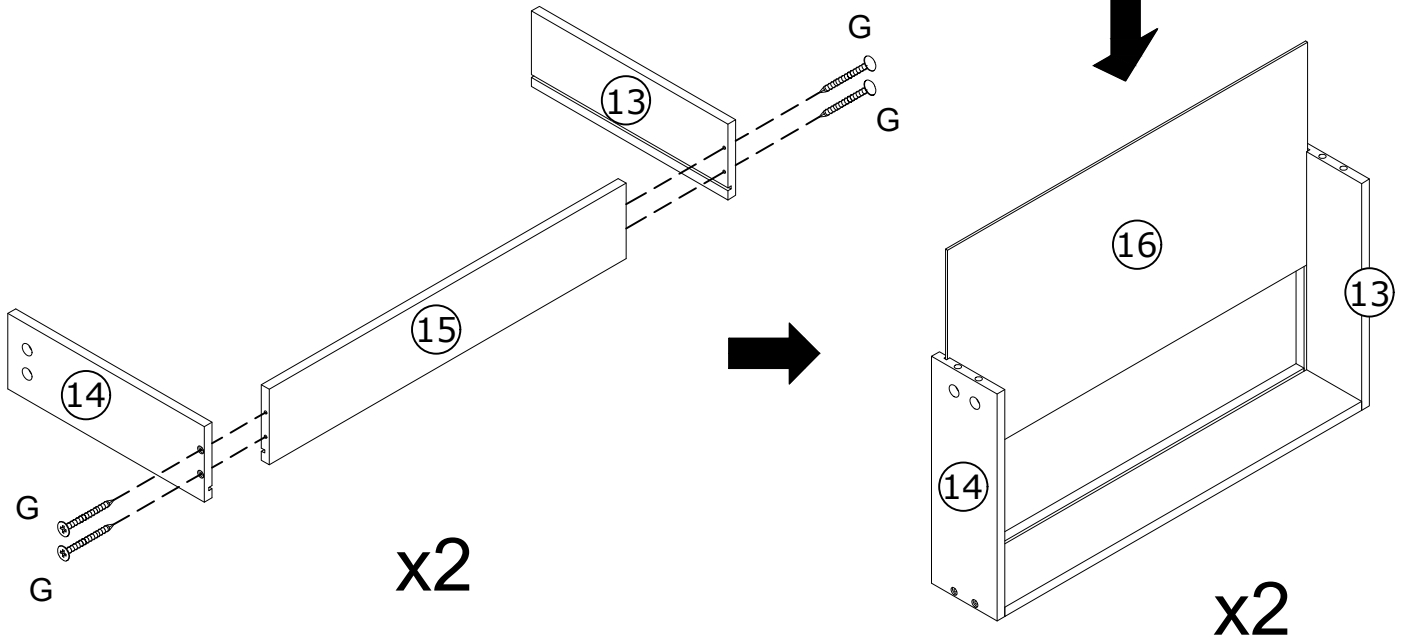
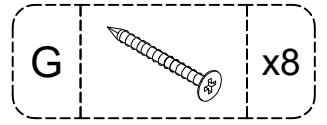
9



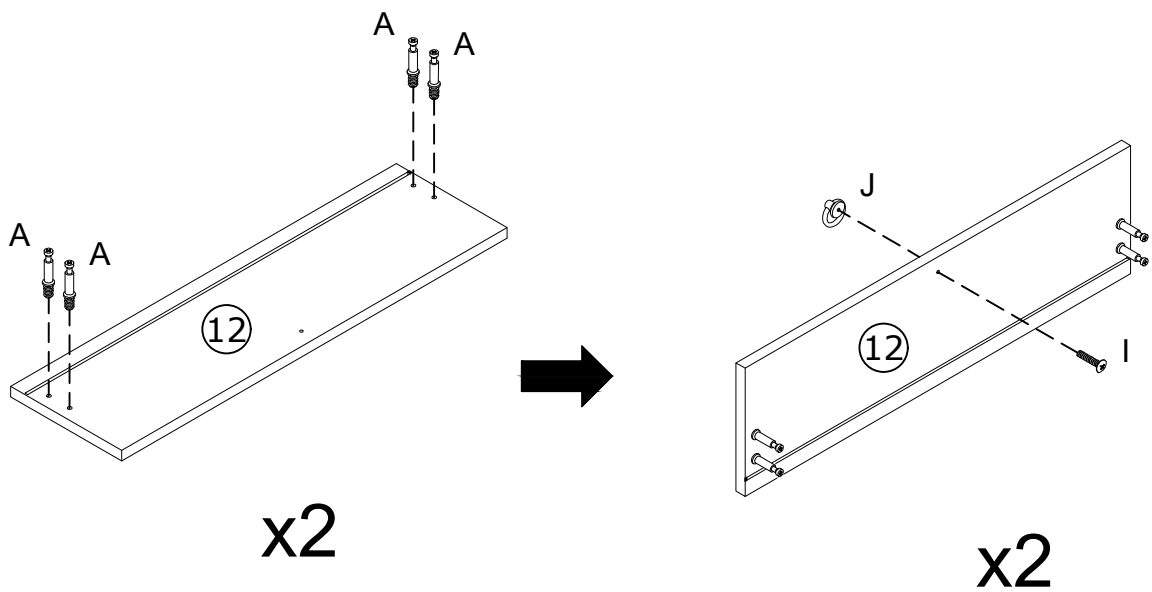
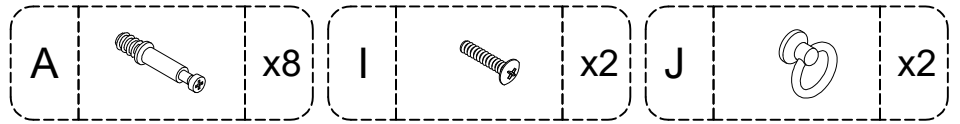
10



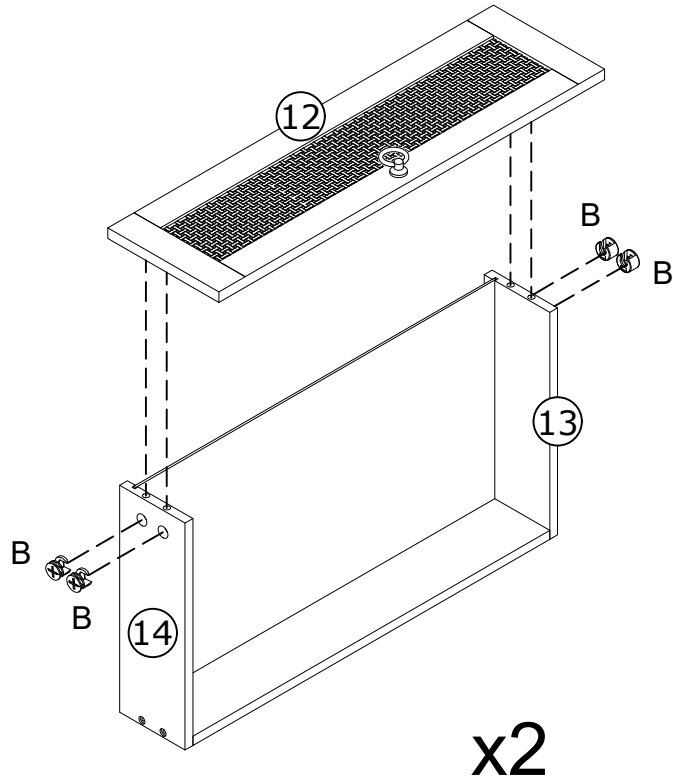
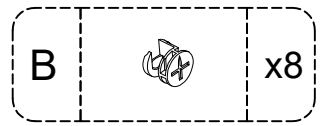
11



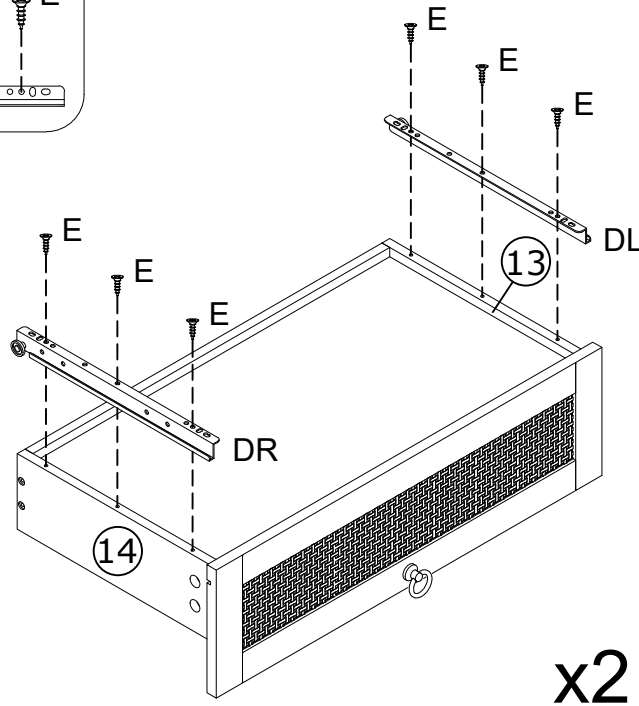
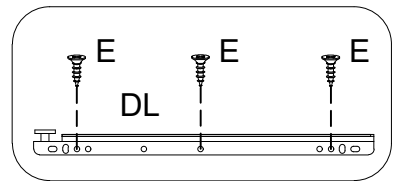
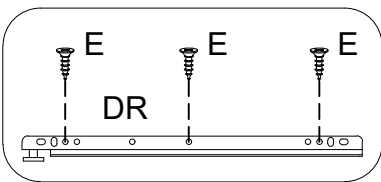
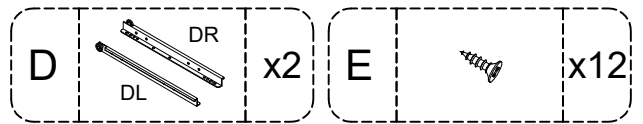
12



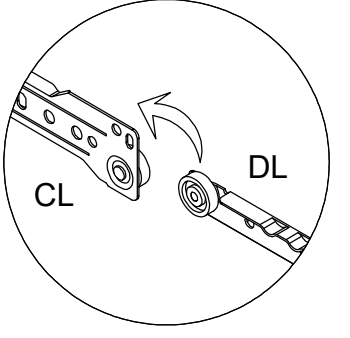
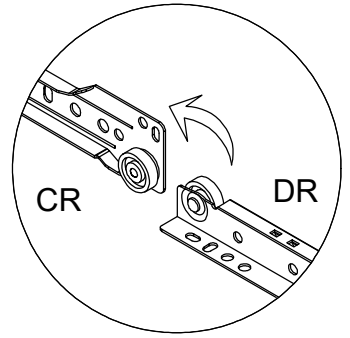
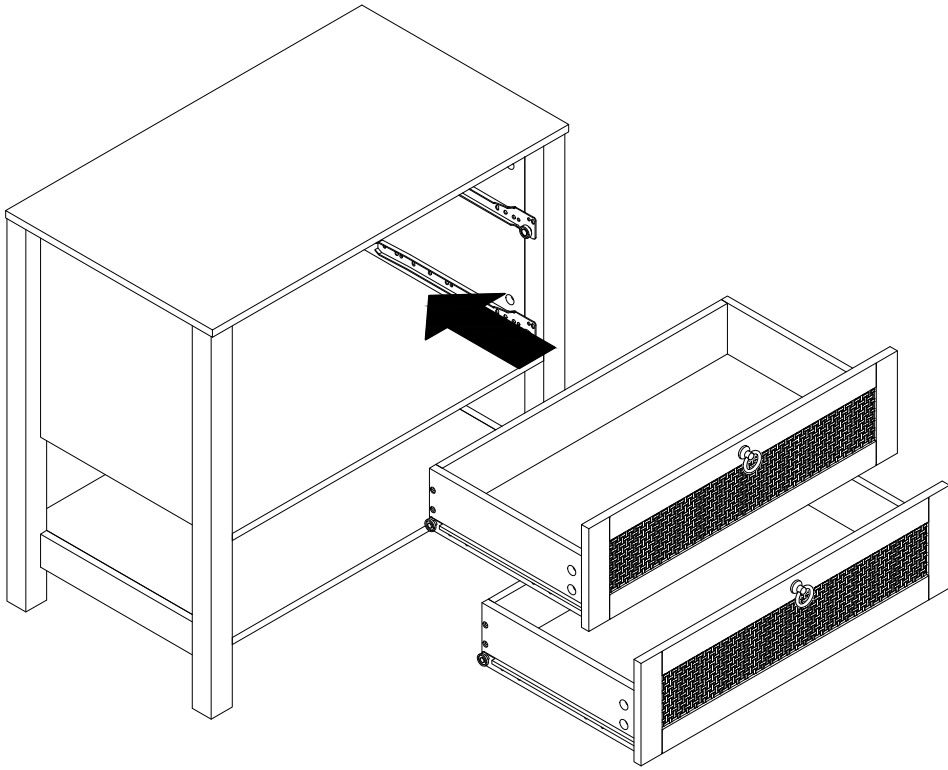
13



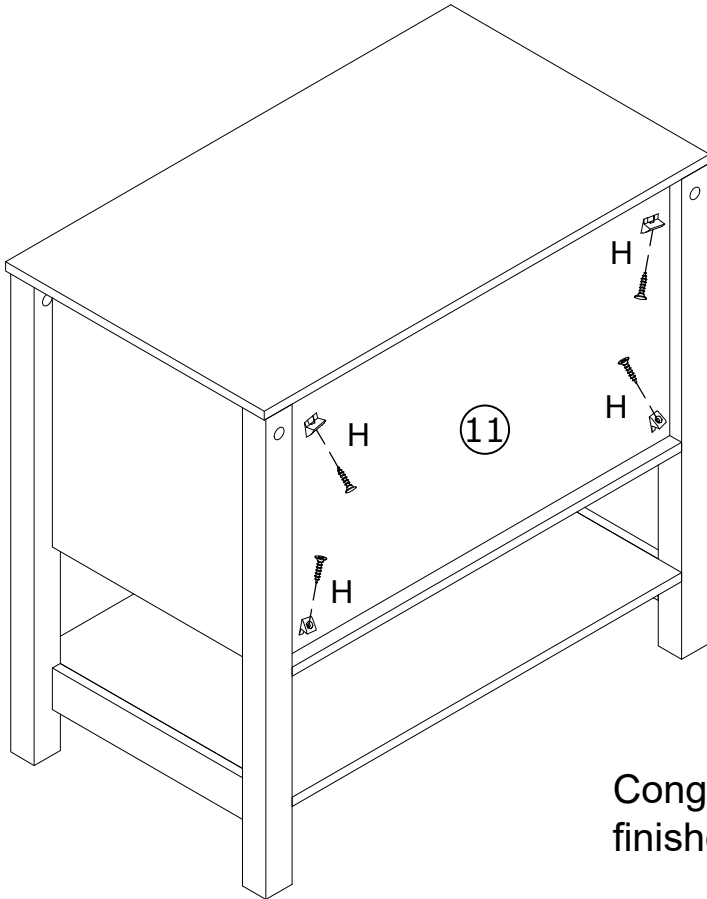
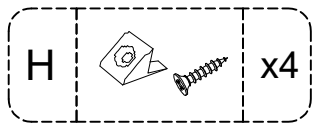
14



15



16



Congras! You have successfully finished the assembly.