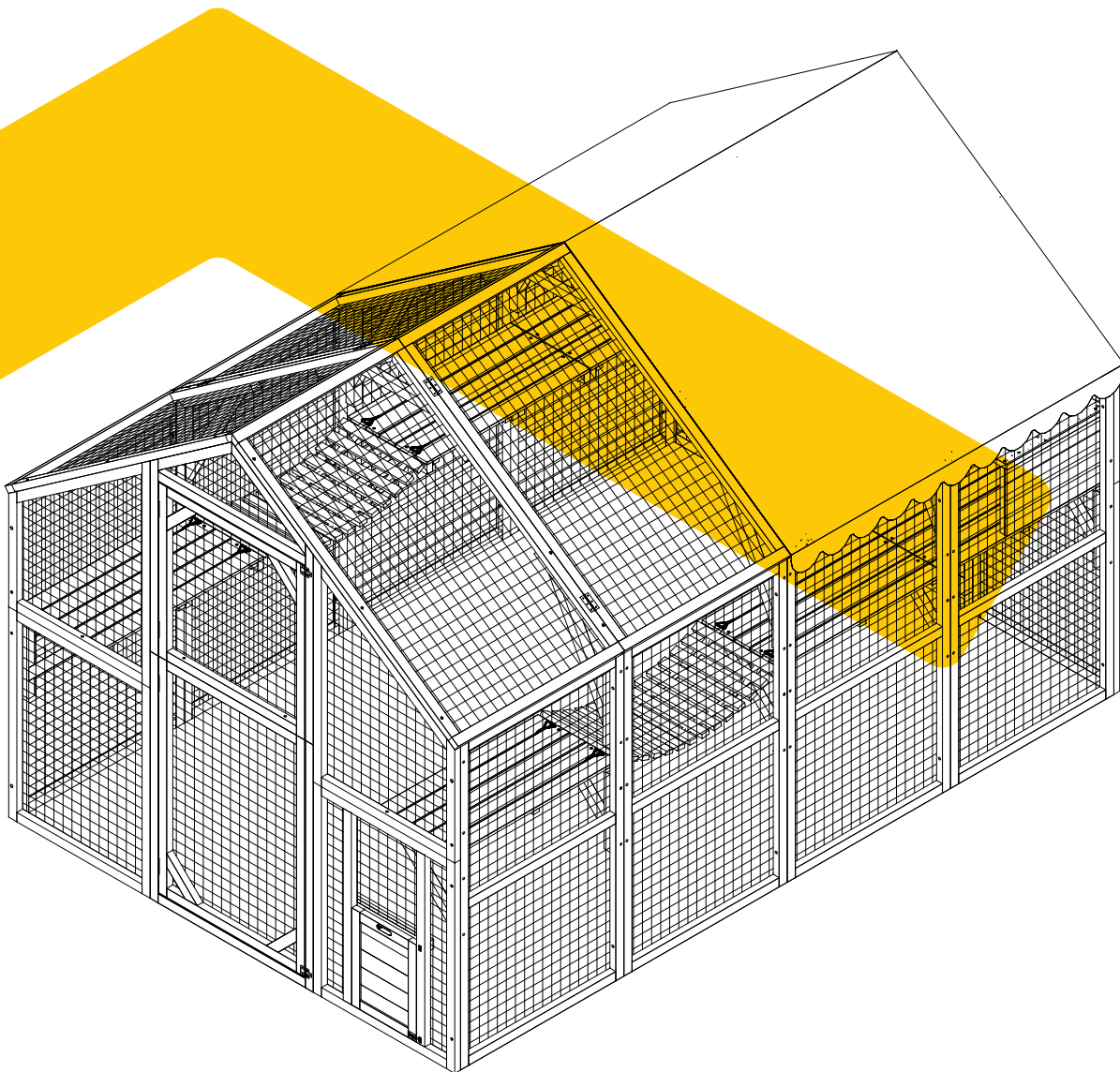


INSTRUCTION MANUAL





NOTICE

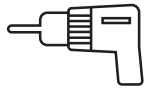
Please retain these instructions for future

- Firmly secure all bolts, screws and knobs before use.
- Reconfirm that all bolts, screws, and knobs are secure every 90 days.
- Fasten screws loosely during initial assembly. Do not fully tighten screws until the item is completely assembled.
- Do not use or store this item in the proximity of open flame or flammable/combustible chemicals.
- Be aware that some parts are heavy and have sharp edges.
- Be aware that moving parts can injure, crush and cut.
- If any parts are missing, broken, damaged, or worn, stop using this product until repairs are made and/or factory replacement parts are installed.
- Do not use this item in a way inconsistent with the manufacturer's instructions as this could void the product warranty.

TOOLS REQUIRED



PHILLIPS
SCREWDRIVER



DRILL
(RECOMMENDED)



2PERSON
ASSEMBLY



APPROXIMATELY
60MIN. ASSEMBLY

HARDWARE

M6.0x80 mm BOLT
12PCS+1 spare



P1

M6.0x70 mm BOLT
48PCS+1 spare



P2

M4.0x60 mm SCREW
27PCS+1 spare



P3

M3.5x50 mm SCREW
20PCS+1 spare



P4

M3.5x40 mm SCREW
52PCS+1 spare



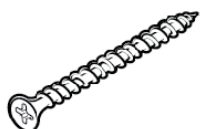
P5

M3.5x30 mm SCREW
8PCS+1 spare

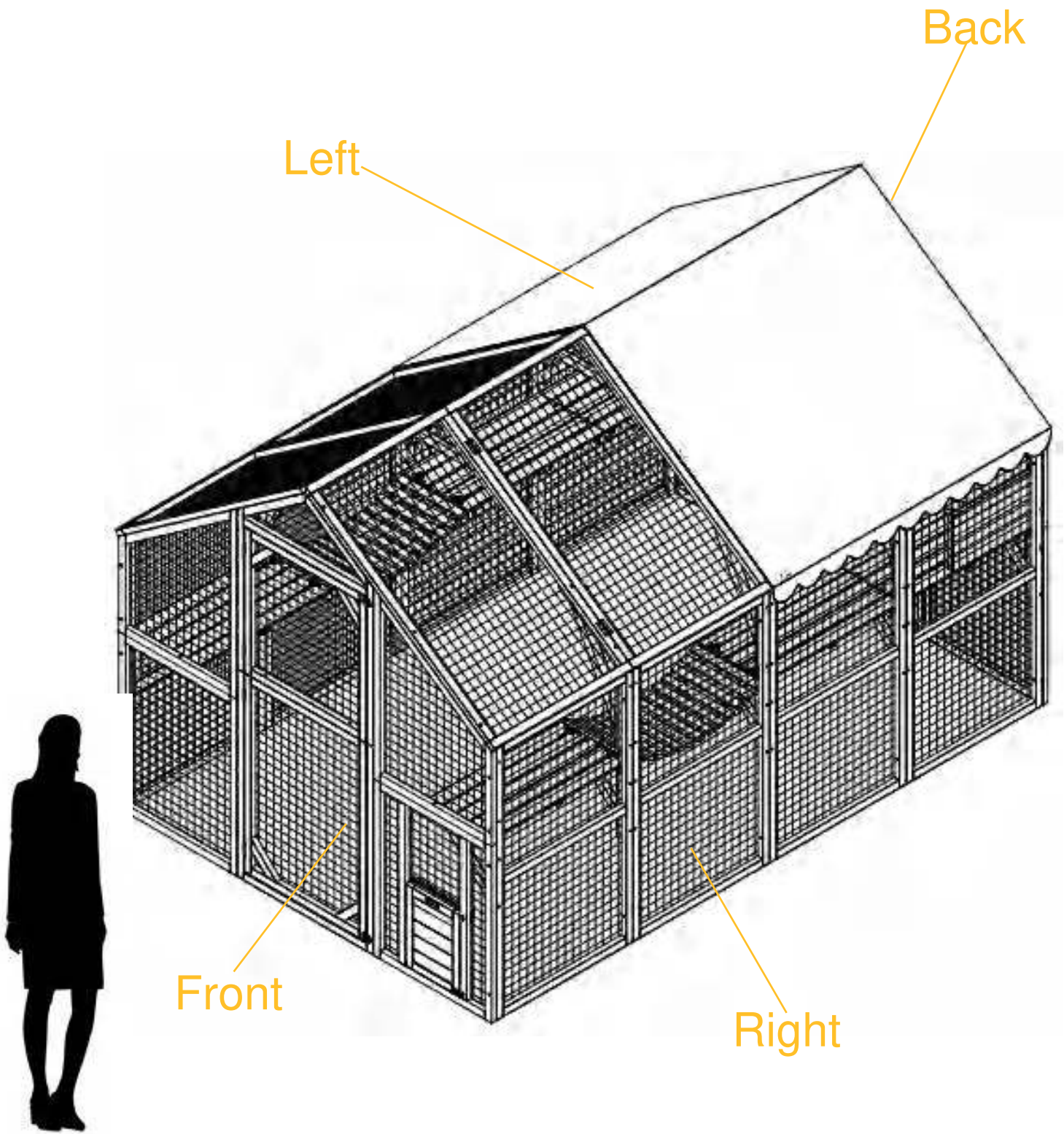


P6

M3.5x25 mm SCREW
16PCS+1 spare



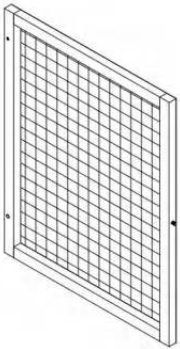
P7



PARTS

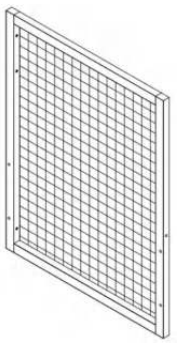
CARTON 1/4

Lower left panel -front & back
1PC



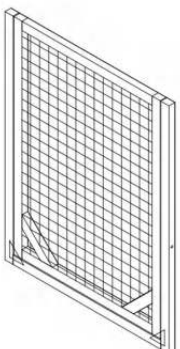
B

Back panel-down & middle
1PC



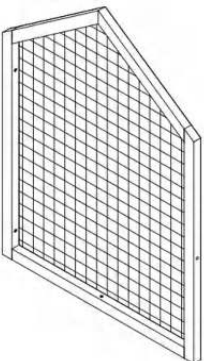
C

Front panel-down & middle
1PC



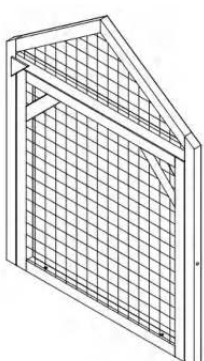
D

Back panel- upper & middle
1PC



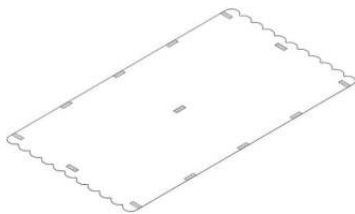
G

Front panel- upper & middle
1PC



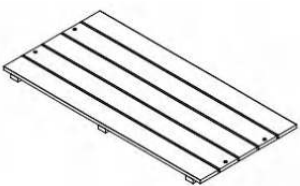
H

Waterproof Cover
1PC



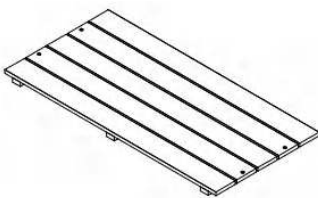
J

Layer
5PCS



O

Bottom of small house
2PCS



Q

Hardware bag

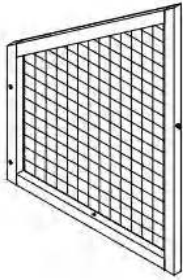


P1 **P2** **P3**
P4 **P5** **P6**

PARTS

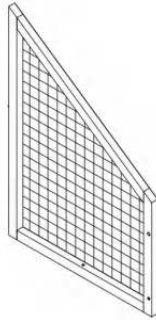
CARTON 2/4

Upper right panel- front & back
2PCS



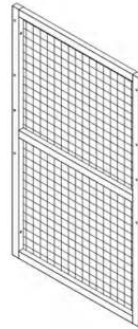
E

Upper left panel-front & back
2PCS



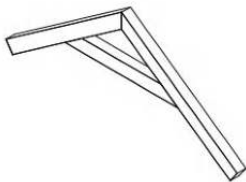
I

Side panel
2PCS



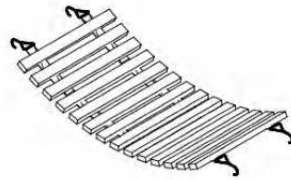
K

Roof supporting bar
3PCS



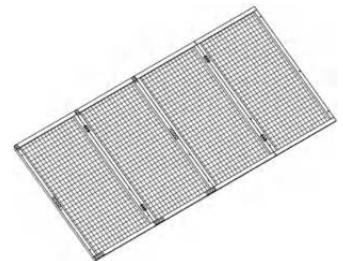
L

Bridge
2PCS



P

Left roof
1PC

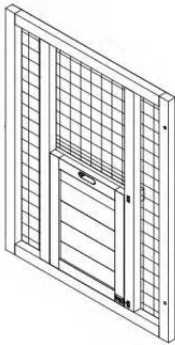


V

PARTS

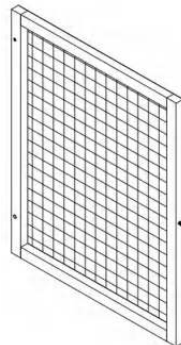
CARTON 3/4

Lower right panel -front & back
2PCS



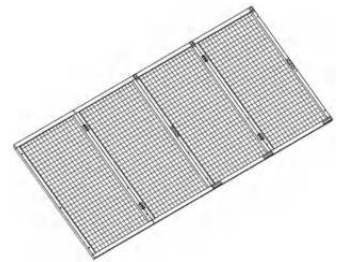
A

Lower left panel -front & back
1PC



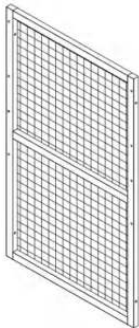
B

Right roof
1PC



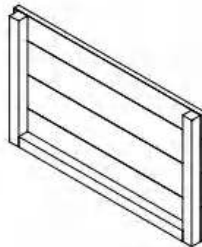
F

Side panel
2PCS



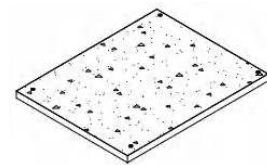
K

Right panel of small house
2PCS



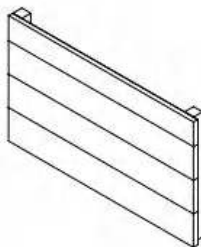
S

Roof of small house
2PCS



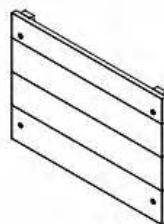
R

Left panel of small house
2PCS



T

Back panel of small house
2PCS

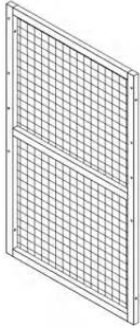


U

PARTS

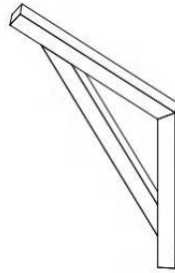
CARTON 4/4

Side panel
4PCS



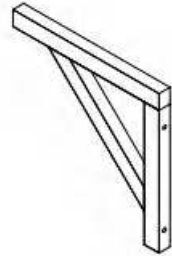
K

Side supporting bar
6PCS



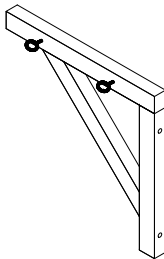
M

Layer supporting bar
10PCS



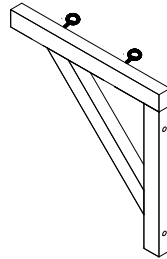
N

Laryer supporting bar with hook fitting (The hook fitting is on the left side)
2PCS



N1

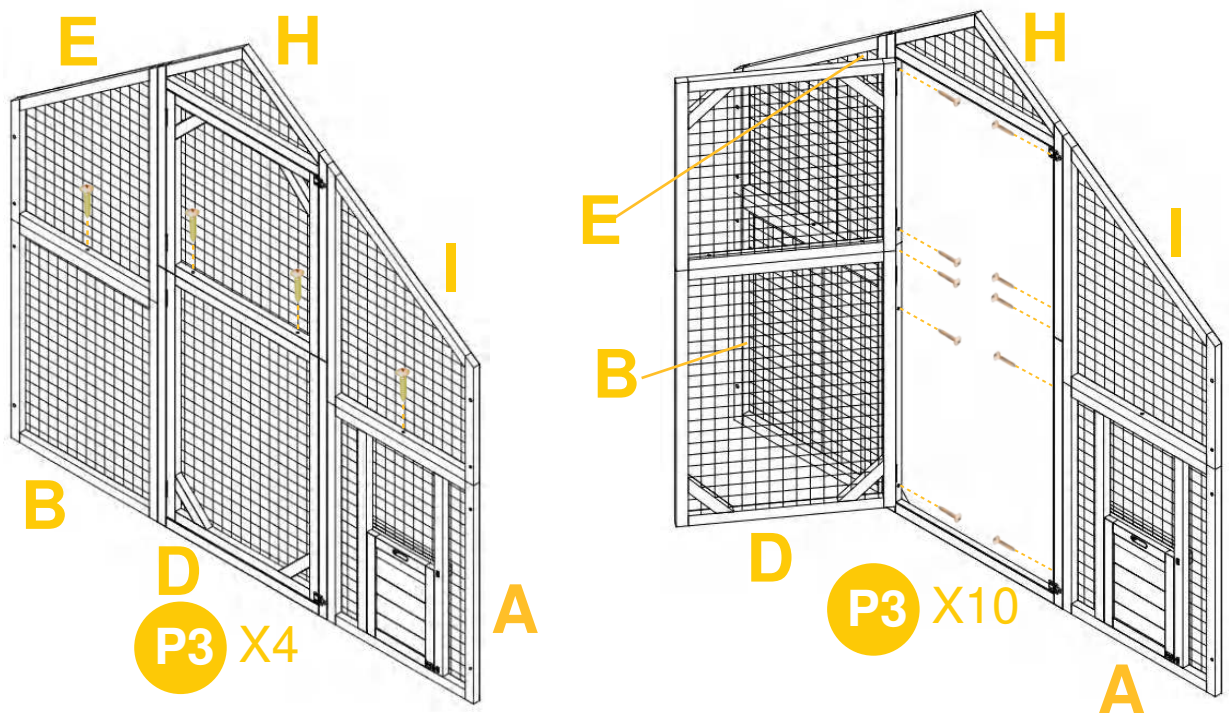
Laryer supporting bar with hook fitting (The hook fitting is on the right side)
2PCS



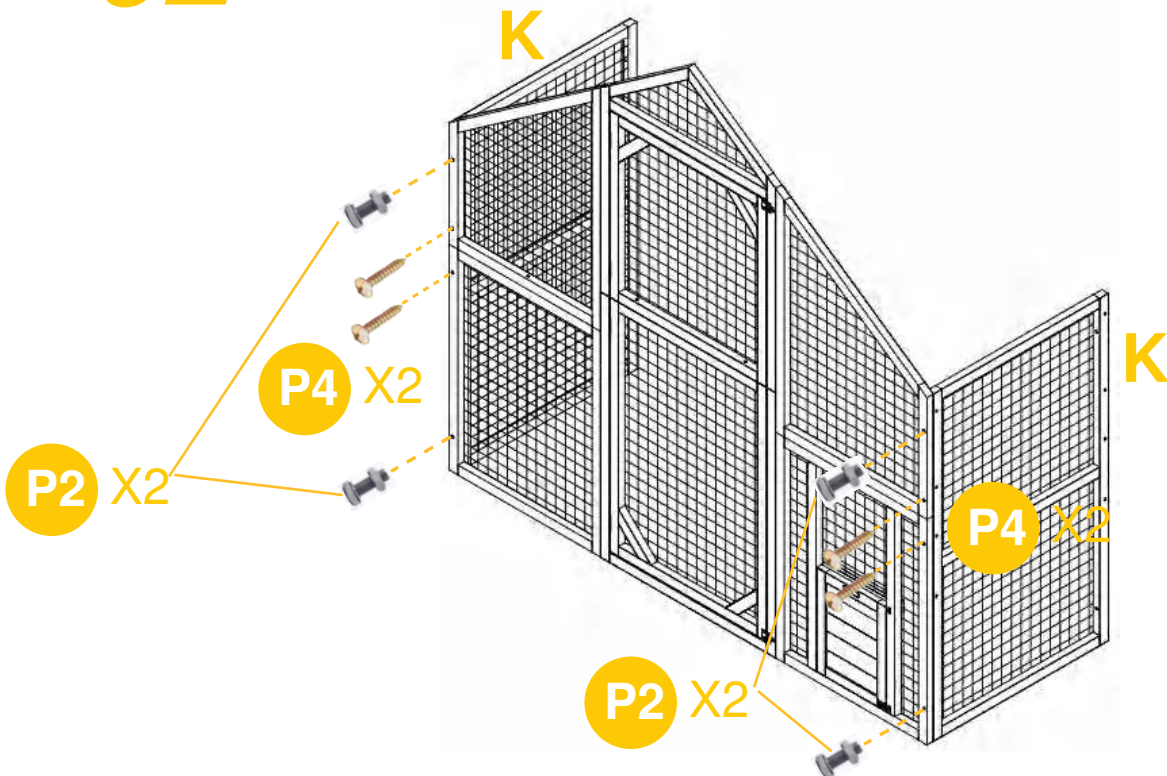
N2

PRODUCT ASSEMBLY

01 Connect the front panels, screw Part A, B, D, E, H, I by 14XP3.

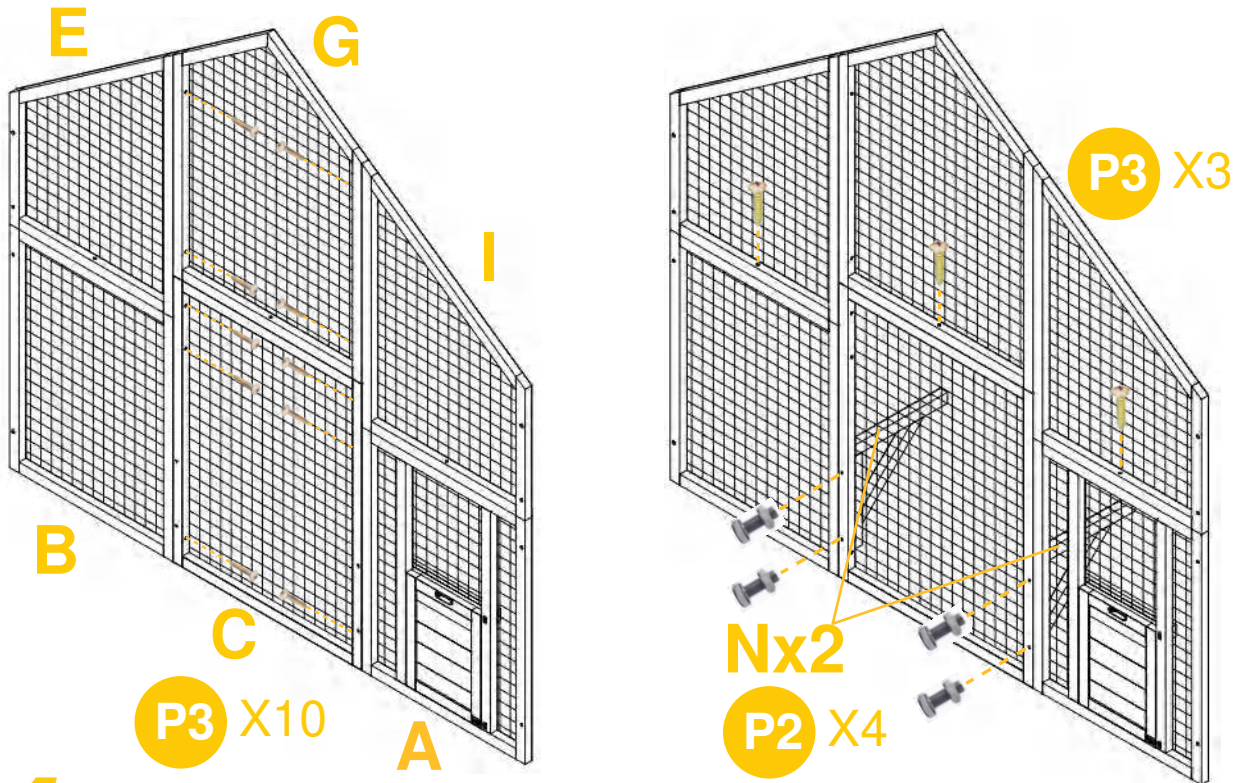


02 Attach side panel Part K to front side by 2XP4 screws in middle position and 2XP2 bolts in side position each side.

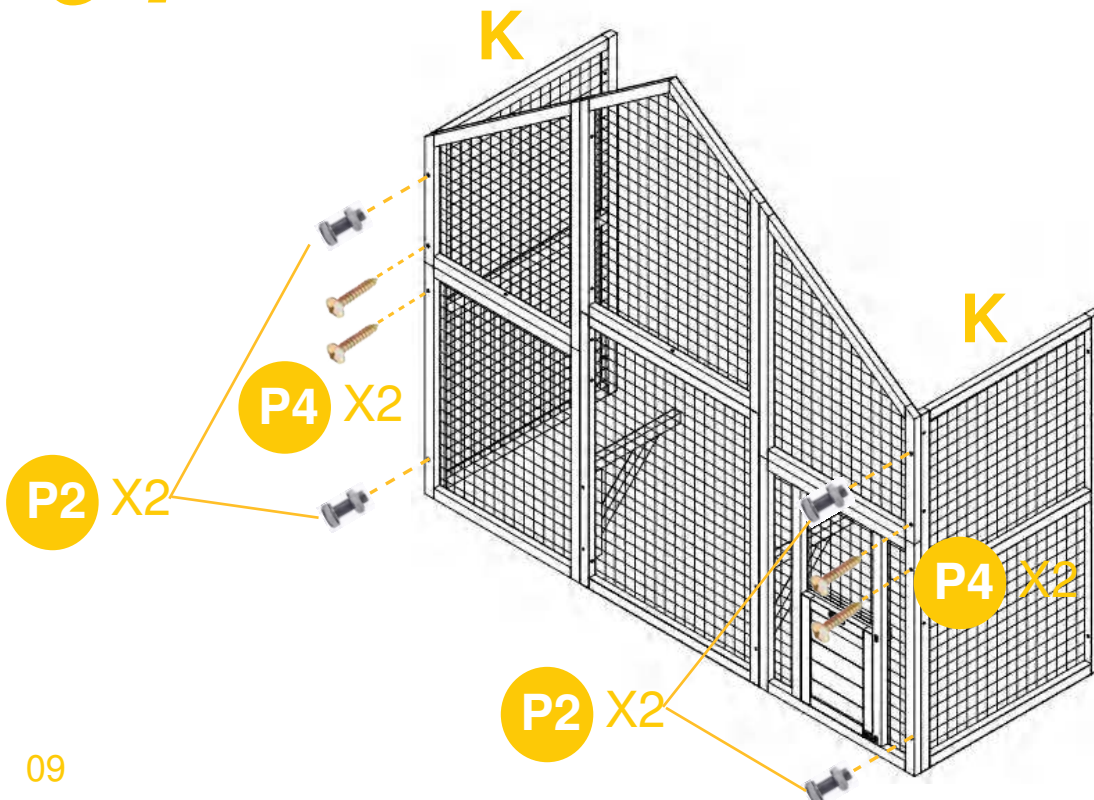


PRODUCT ASSEMBLY

- 03** ① Connect the back panels, screw Part A,B,C,E,G,I by 13XP3.
② Bolt the layer supporting bar Part N by 4XP2.

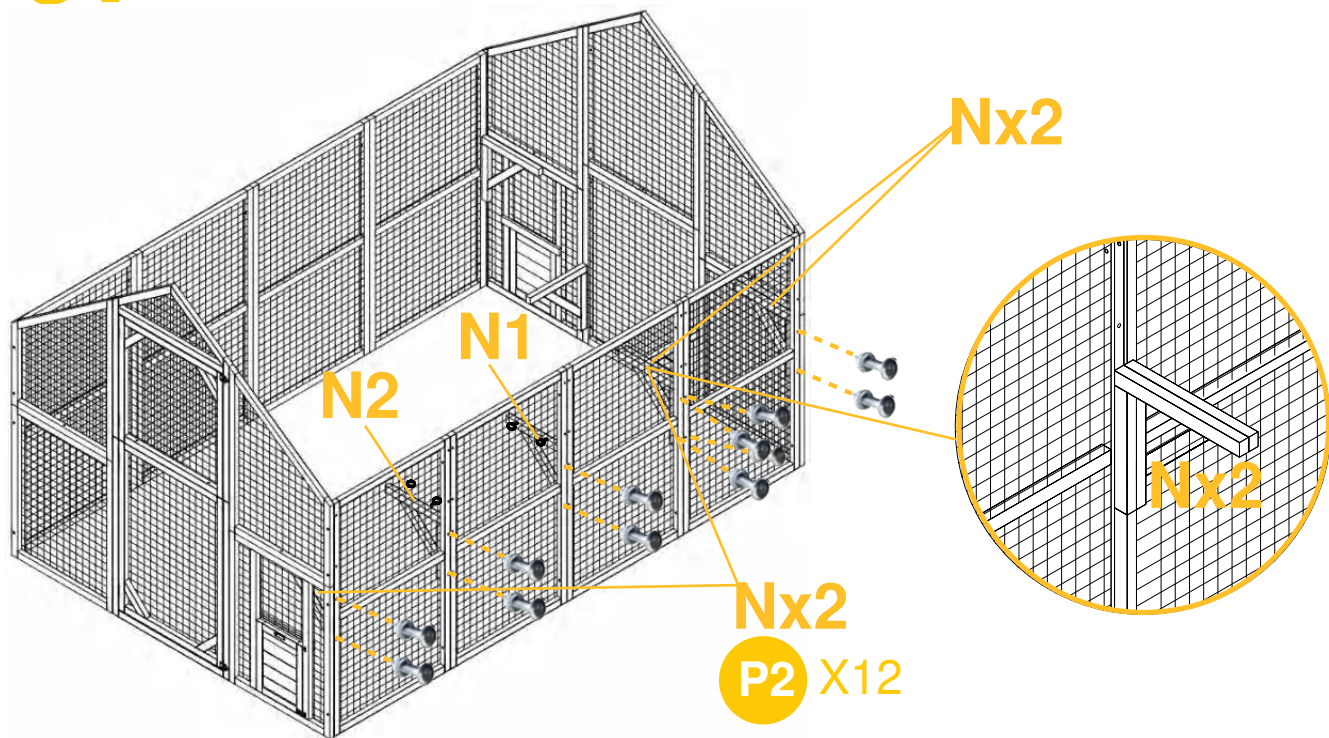


- 04** Attach side panel Part K to back side by 2XP4 screws in middle position and 2XP2 bolts in side position each side.

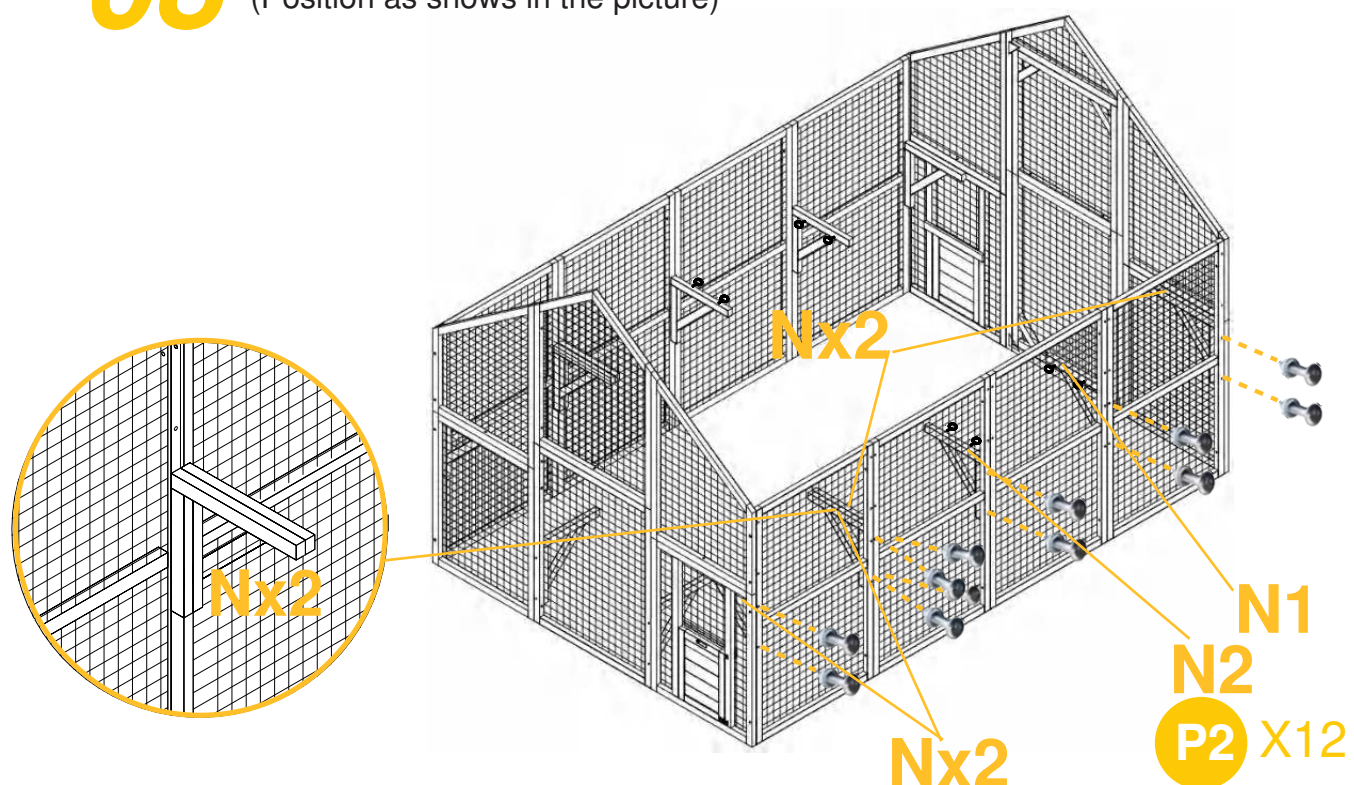


PRODUCT ASSEMBLY

07 Bolt the layer support bars Part N ,N1 & N2 by 12XP2.
(Position as shows in the picture)

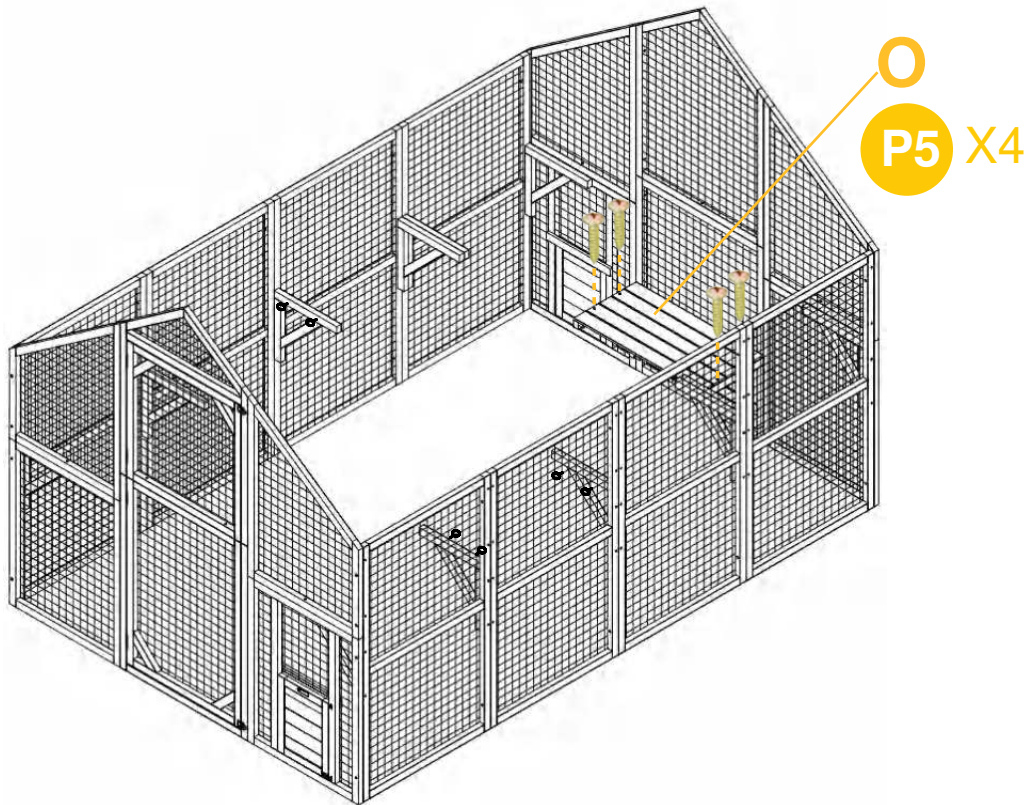


08 Bolt the layer support bars Part N ,N1 & N2 to the other side by 12XP2.
(Position as shows in the picture)

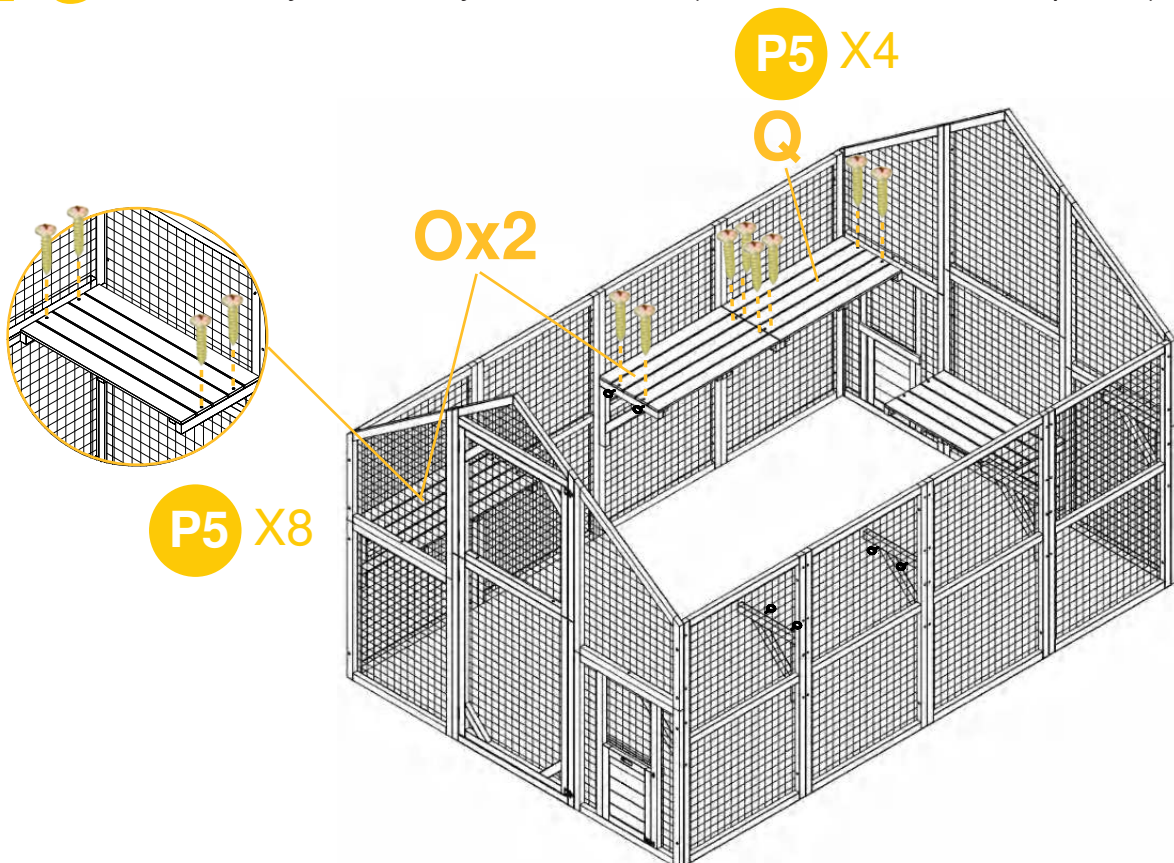


PRODUCT ASSEMBLY

09 Attach layer Part O by 4XP5 screws. (Position as shows in the picture)

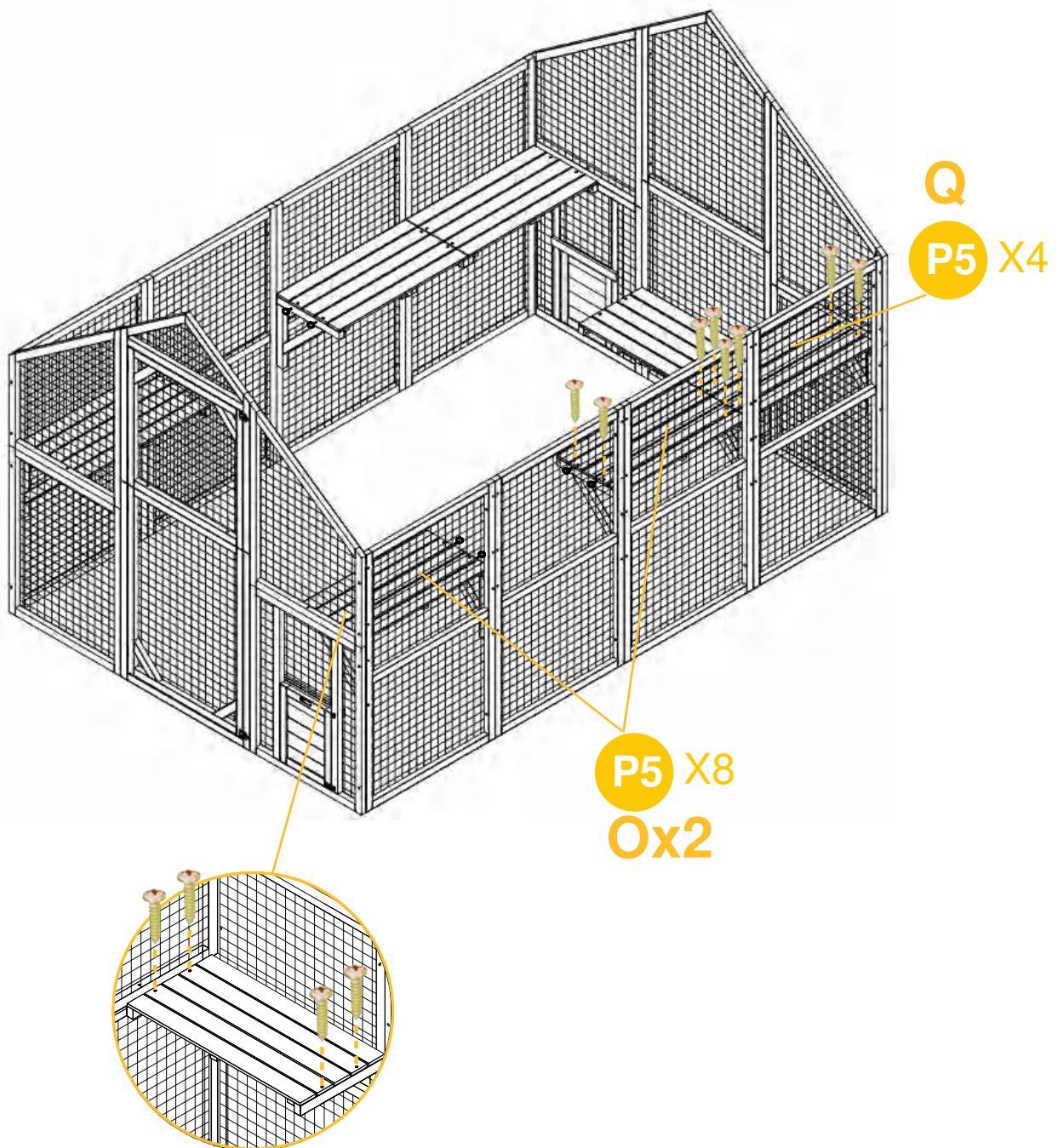


10 ① Attach layer Part O by 8XP5 screws. (Position as shows in the picture)
② Attach layer Part Q by 4XP5 screws. (Position as shows in the picture)



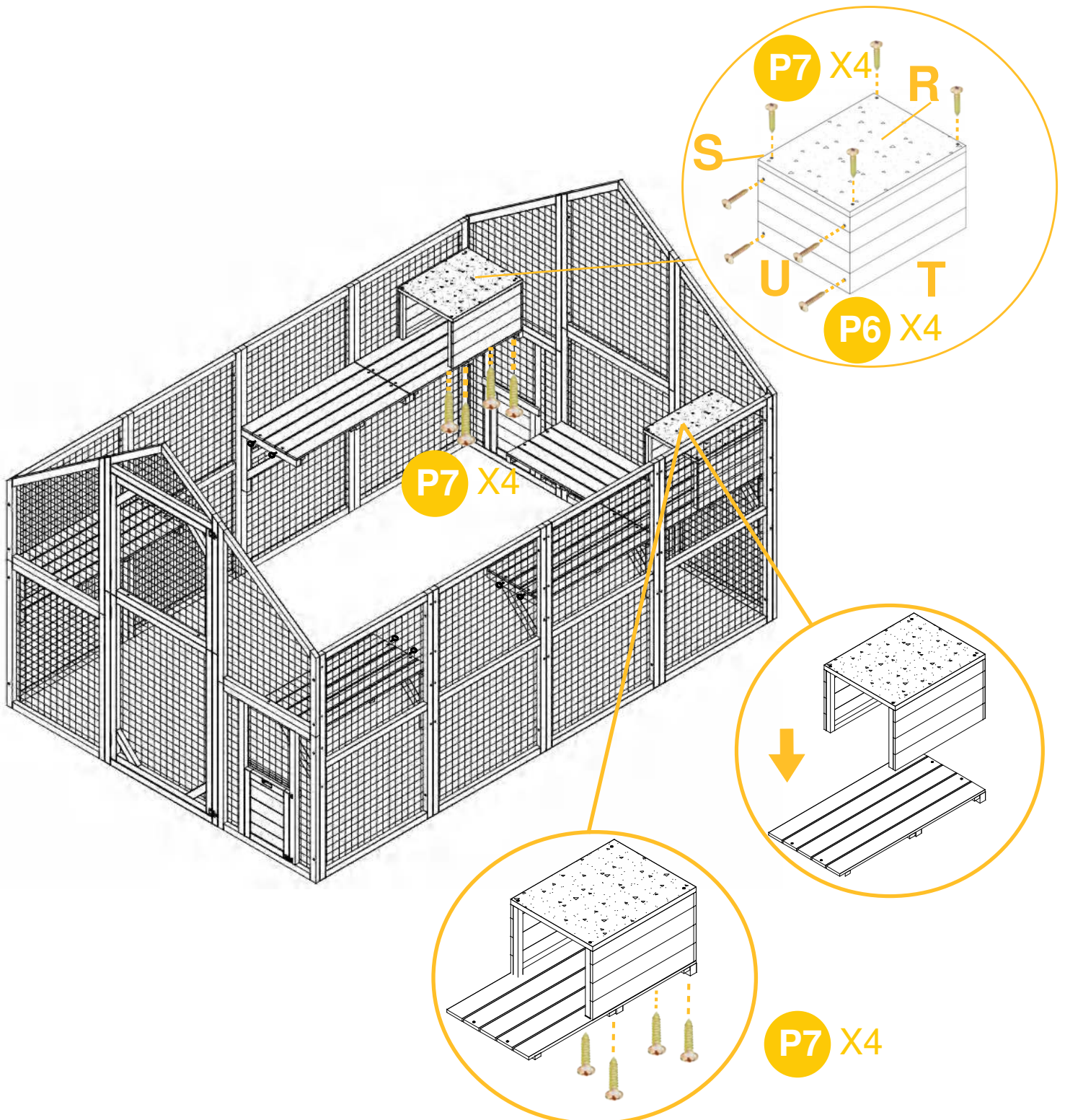
PRODUCT ASSEMBLY

- 11** ① Attach layer Part O to the other side by 8XP5 screws. (Position as shows in the picture)
- ② Attach layer Part Q the other side by 4XP5 screws. (Position as shows in the picture)



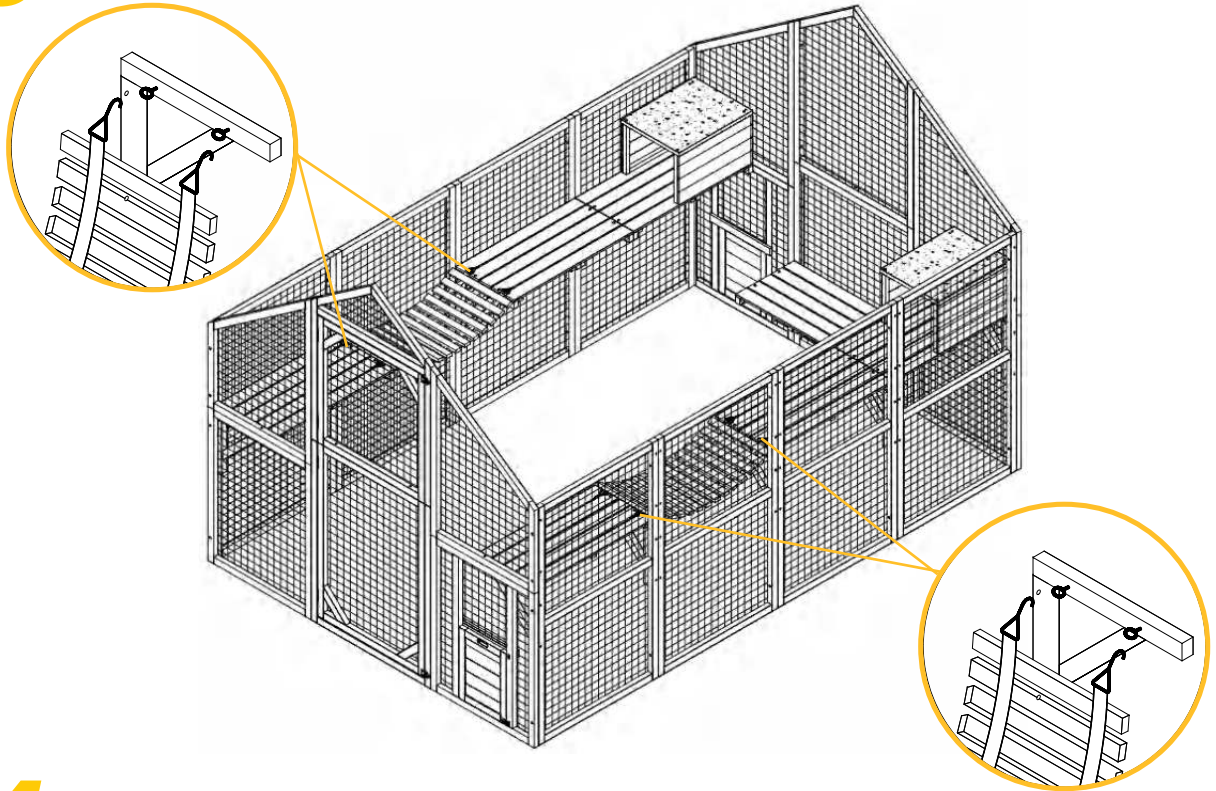
PRODUCT ASSEMBLY

- 12** ① Attach the 2 small houses, screw back panel Part U to side panel Part S&T by 4XP6, screw roof Part R by 4XP7.
② Screw the small house to the layer from the bottom by 4XP7 each.

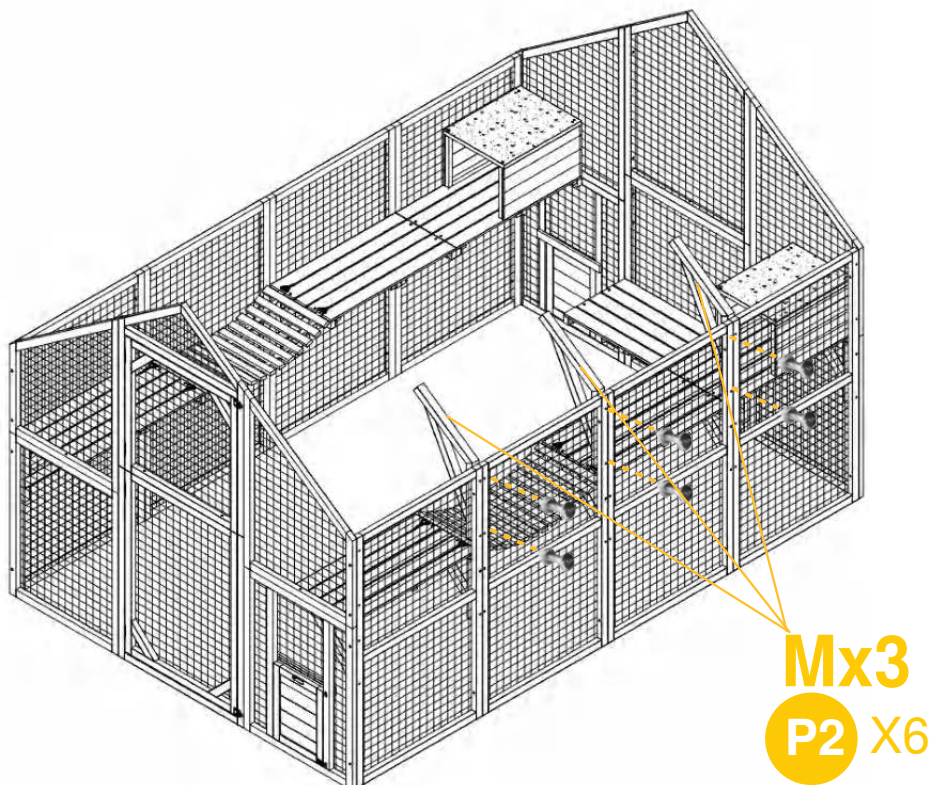


PRODUCT ASSEMBLY

13 Hook the bridge Part P to layers.

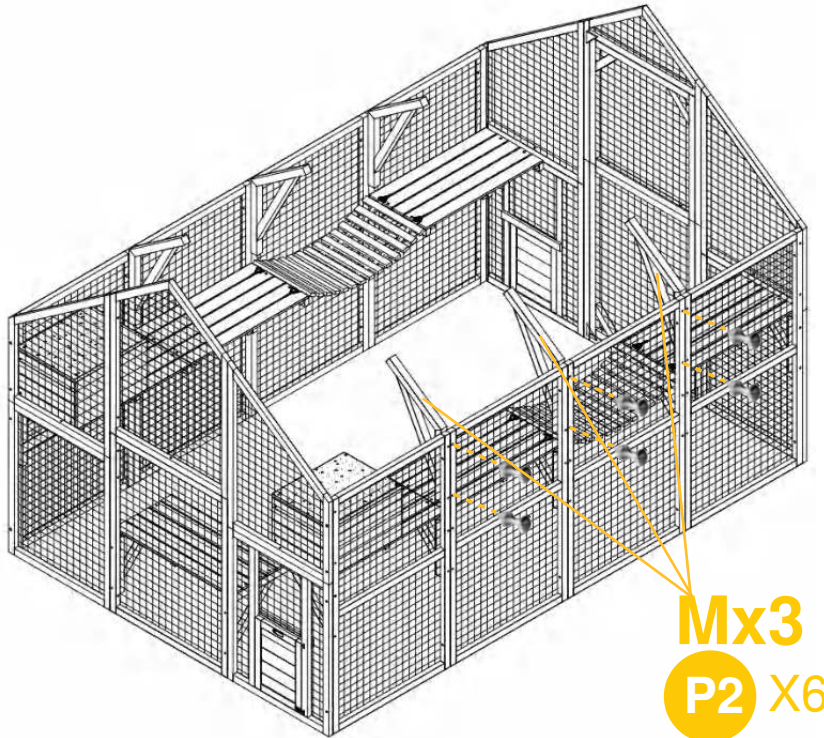


14 Bolt side supporting bar Part M by 6XP2.

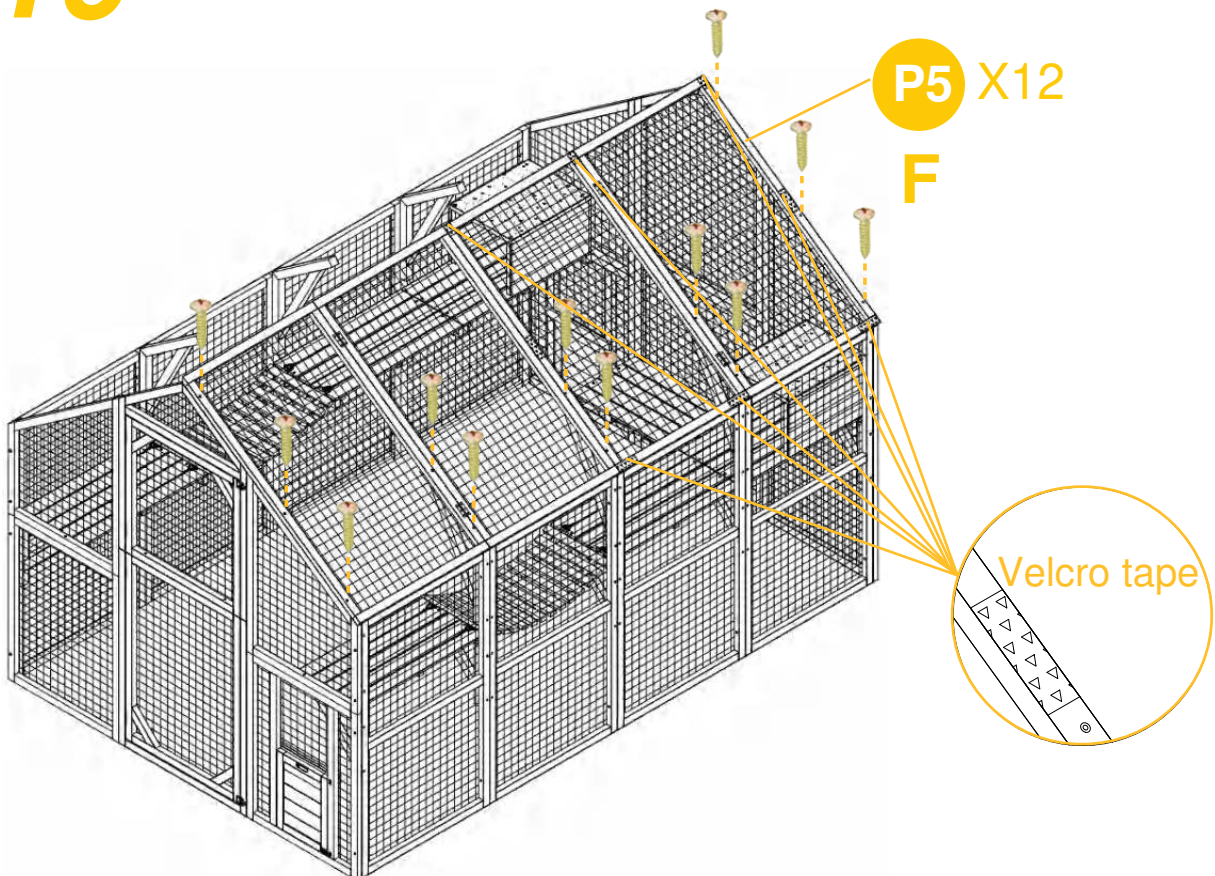


PRODUCT ASSEMBLY

15 Bolt side supporting bar Part M to the other side by 6XP2.

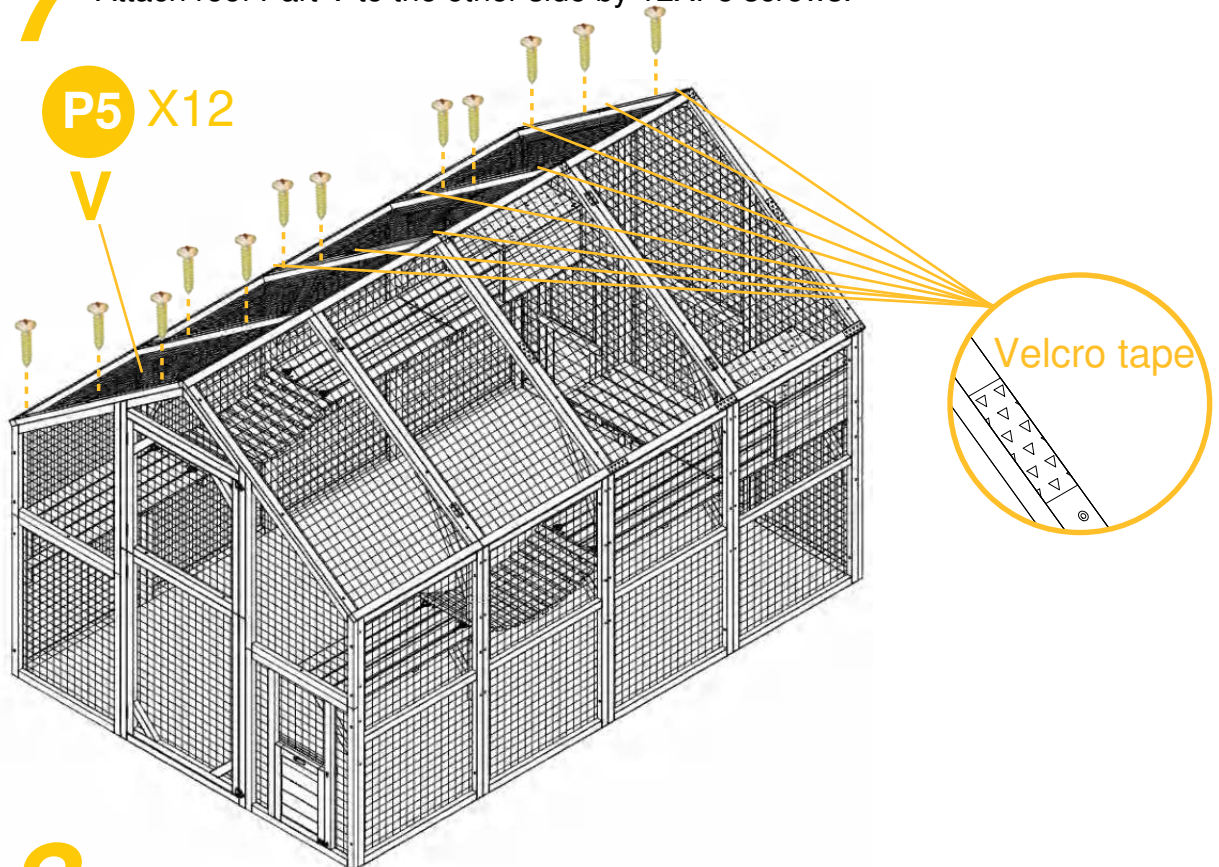


16 Attach roof Part F by 12XP5 screws.

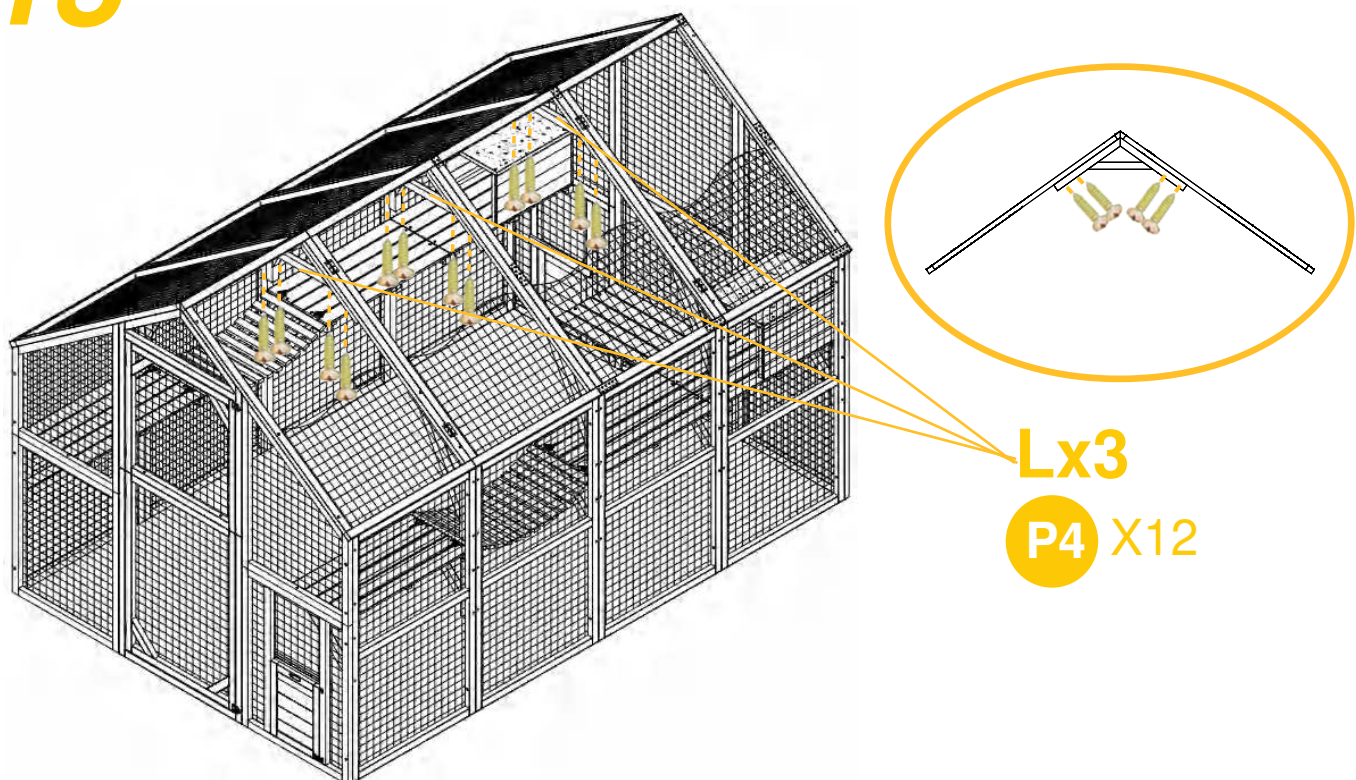


PRODUCT ASSEMBLY

17 Attach roof Part V to the other side by 12XP5 screws.

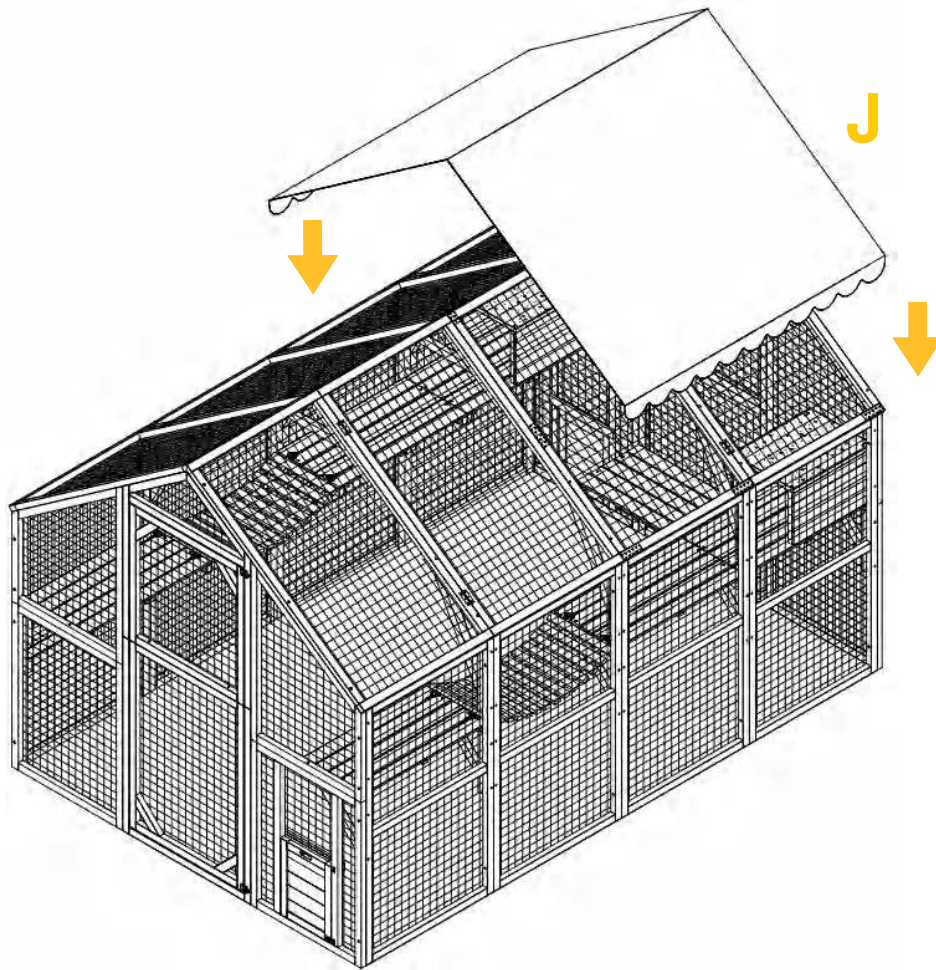


18 Open the door, walk into the cat run, and lock roof supporting bar Part L by 12XP4 screws.



PRODUCT ASSEMBLY

19 Stick the Cover Part J by Velcro.



Finish



WARNING

Manufacturer and seller expressly disclaim any and all liability for personal injury, property damage or loss, whether direct, indirect, or incidental, resulting from the incorrect attachment, improper use, inadequate maintenance, or neglect of this