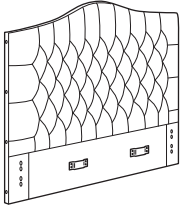
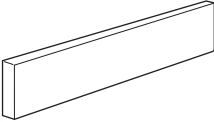
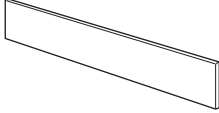
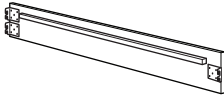
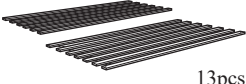
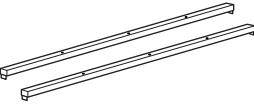

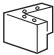
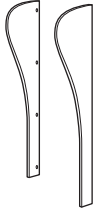


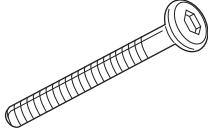
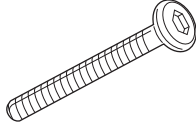
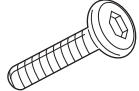




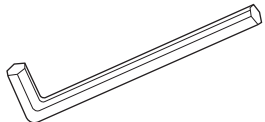
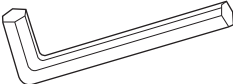
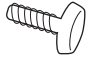
ASSEMBLY INSTRUCTION

(KING)

PART LIST

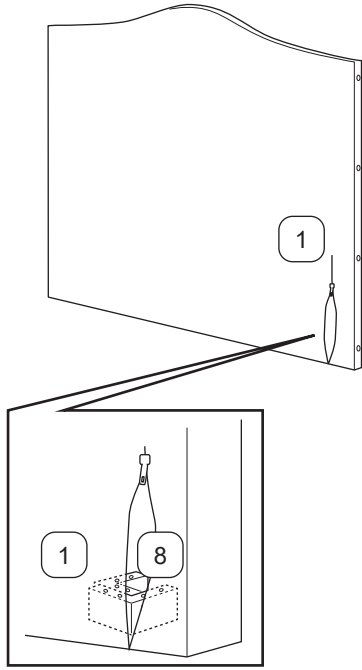
<p>1. HEADBOARD PANEL</p>  <p>x 1PC</p>	<p>2. FOOTBOARD PANEL</p>  <p>x 1PC</p>	<p>3. LEFT BED RAIL</p>  <p>x 1PC</p>	<p>4. RIGHT BED RAIL</p>  <p>x 1PC</p>	
<p>5. ROLL SLAT</p>  <p>13pcs</p> <p>x 2 SET</p>	<p>6. CENTER RAIL</p>  <p>x 2PCS</p>	<p>7. CENTER RAIL SUPPORT WITH LEVELER</p>  <p>x 6PCS</p>	<p>8. LEG</p>  <p>x 2PCS</p>	<p>9. HEADBOARD WING</p>  <p>x 2PCS</p>

HARDWARE LIST (IN ACTUAL SIZE/SCALE FOR REFERENCE)

<p>A. JCBC SCREW M6 x 45mm</p>  <p>x 4PCS</p>	<p>B. JCBC SCREW M6 x 35mm</p>  <p>x 8PCS</p>	<p>C. JCBB SCREW M8 x 20mm</p>  <p>x 12PCS</p>	
<p>D. CSK SCREW M4 x 16mm</p>  <p>x 12PCS</p>	<p>E. CSK SCREW M4 x 32mm</p>  <p>x 16PCS</p>	<p>F. SPRING WASHER M6 x 12mm</p>  <p>x 8PCS</p>	
<p>G. FLAT WASHER M6 x 19mm</p>  <p>x 8PCS</p>	<p>H. L-KEY M4 x 100mm</p>  <p>x 1PC</p>	<p>I. L-KEY M5 x 65mm</p>  <p>x 1PC</p>	<p>J. ADJUSTABLE (BIG)</p>  <p>x 6PCS</p>

ITEM : KINGDOM BED (KING)

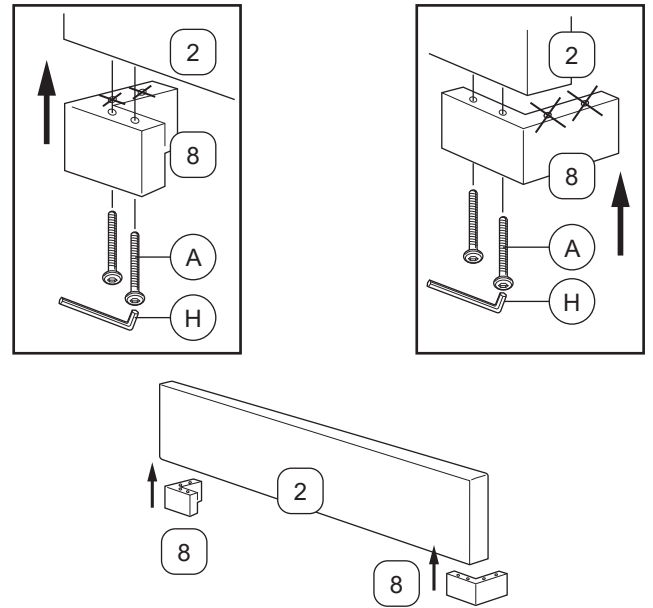
STEP 1



Bed leg (8) put in back side headboard (1).

STEP 2

A x 4 H x 1

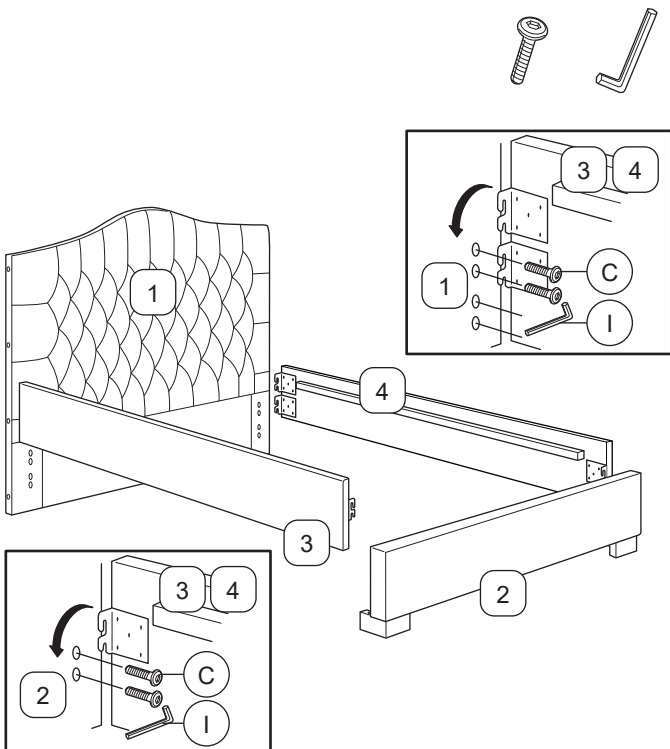


Secure 2 pieces of Legs (8) using 8 Screw (A) using L-key (H) to the bottom of Footboard (2).

Note: No screws needed for X. Assemble only 2 screw.

STEP 3

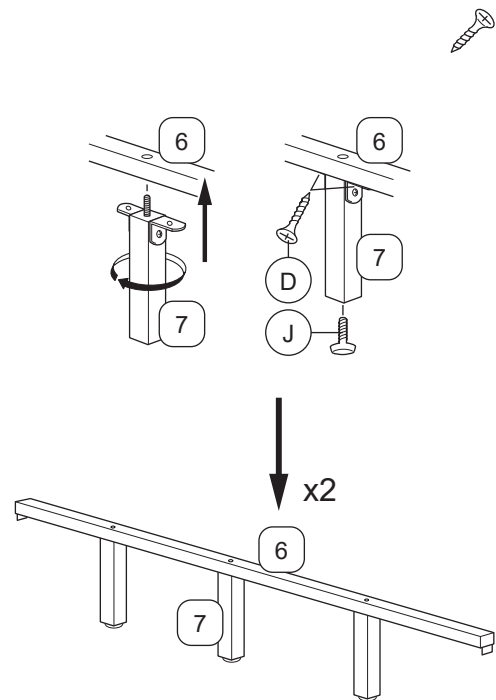
C x 12 I x 1



Attach Side Rail (3) and (4) to Headboard (1) and Footboard (2) by securing with 2 Allen Bolts (C) using L-key (I). Insert the bolts into Headboard (1) and Footboard (2) but do not tighten it in all the way. After, hook on the rail onto the bolt and tighten the bolt when the rails are hooked on properly.

STEP 4

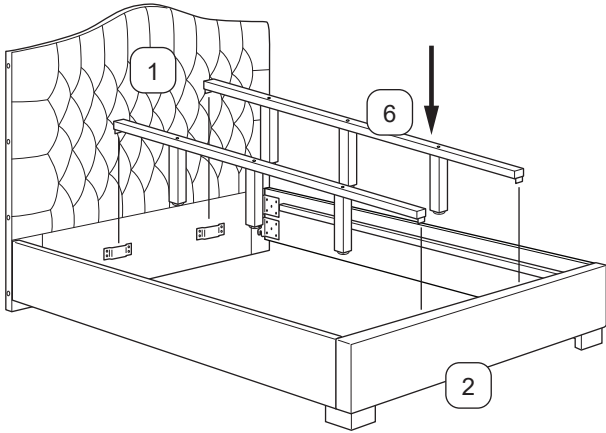
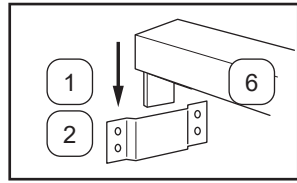
D x 12 J x 6



Attach 3 Center Rail Support with leveler (7) to Center Rail (6) using Screw (D) and Adjustable (Big) (J).

ITEM : KINGDOM BED (KING)

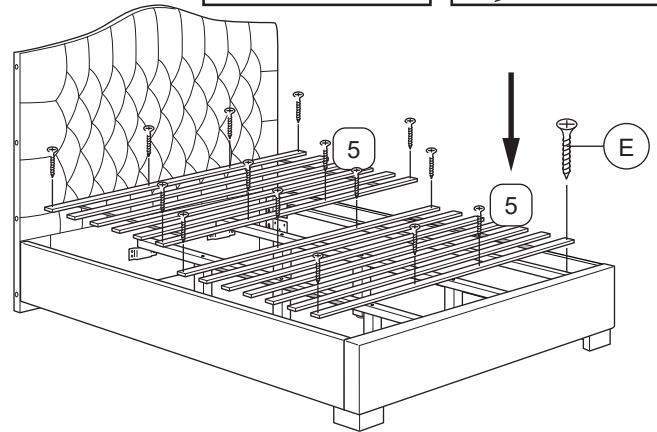
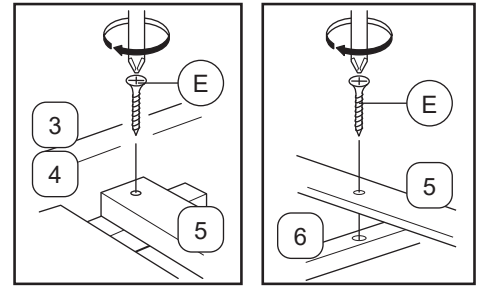
STEP 5



Insert Center Rail (6) to the bracket (provided) on Headboard (1) & Footboard (2).

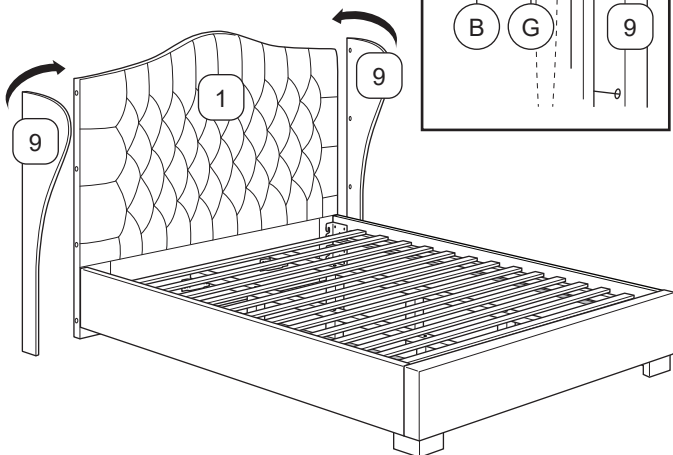
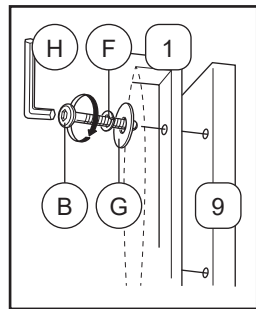
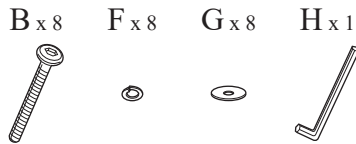
STEP 6

E x 16



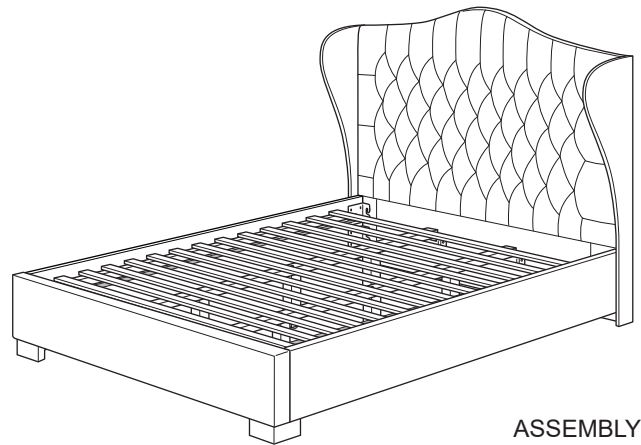
Attach Roll Slat (5) to Side Rail (3) & (4) using 8 Screw (E). Tighten the Screw (E) with Philips Head Screw Driver (not provided). Then Roll Slat (5) to Center Rail (6) using 4 Screw (E) by using same method.

STEP 7



Attach Headboard Wing (9) to Headboard (1) using 8 Screw (B) and Spring Washer (F), Flat Washer (G) using L-key (H). Do not tighten it in all the way. After, hook on the rail onto the bolt and tighten the bolt when the rails are hooked on properly.

STEP 8



ASSEMBLY COMPLETED

Your bed is now ready!
Make sure all screw are fully tightened before using.
Do not jump or stand on top.