

Assembly Instructions

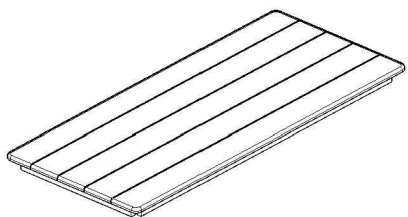
ANAIS DINING TABLE 220

51005872 & 51005873

Parts and Tools

A

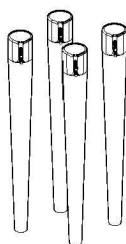
51005872-A
51005873-A



x 1

B

51005872-B
51005873-B



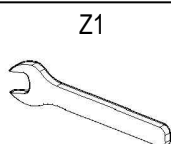
x 4

Before beginning

- 1) Carefully unpack and position the item on a clean, non-marring surface to assemble.
- 2) Read this Assembly Instructions from beginning to end before starting to assemble.
- 3) Take an inventory of required parts to ensure all are available.
- 4) To prevent accidental choking hazards, keep all packing materials away from small children.
- 5) Only tighten hardware until all hardware are fully engaged on their locations. Overtighten bolts will damage the bolt threads.
- 6) Use only factory provided hardware to assemble. Unapproved hardware can damage product or jeopardize the structural integrity of the product.
- 7) The use of power tool to assemble is not recommended due to high risk of over-torque, which can damage the product.

Z

51005872-Z
51005873-Z



Z1

13 mm
x 1



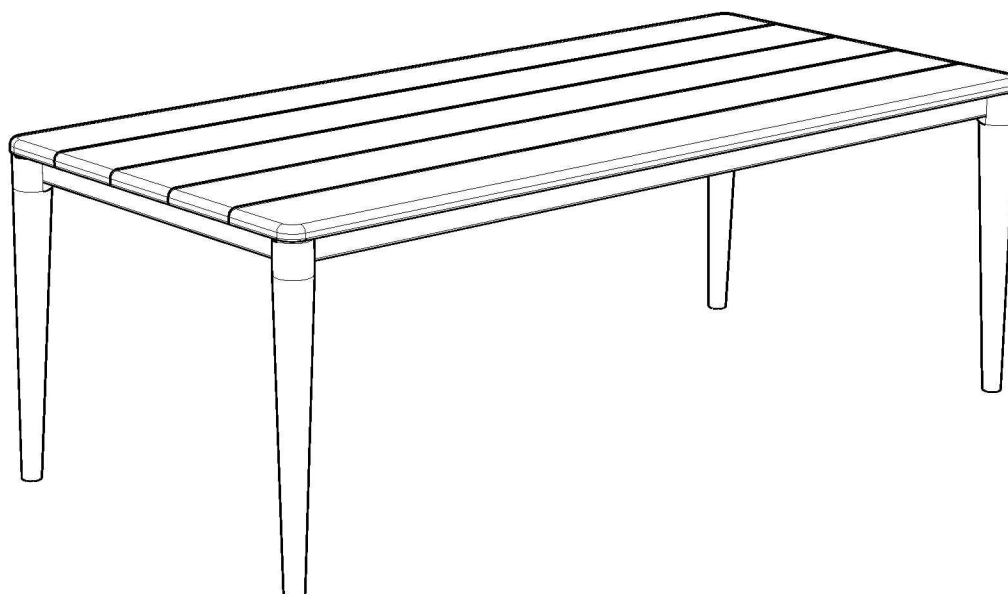
Z2

Nut M8
x 8



Z3

M8
x 8



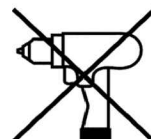
ASSEMBLY REQUIRES
TWO PEOPLE



15 MINUTE
ASSEMBLY TIME

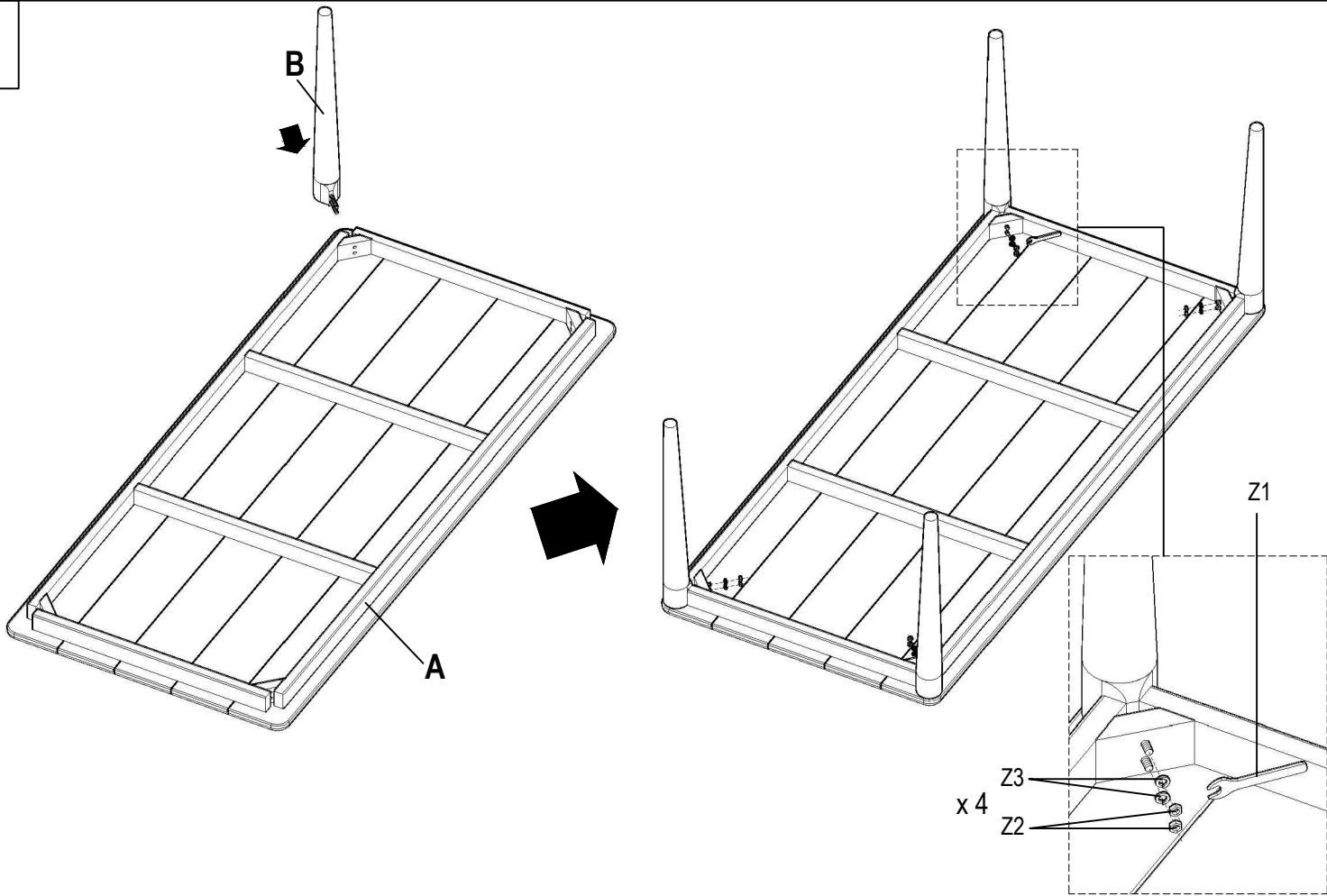


KEEP INSTRUCTIONS
FOR FUTURE USE



Assembly Instructions
ANAIS DINING TABLE 220
51005872 & 51005873

1



2

