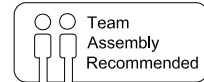
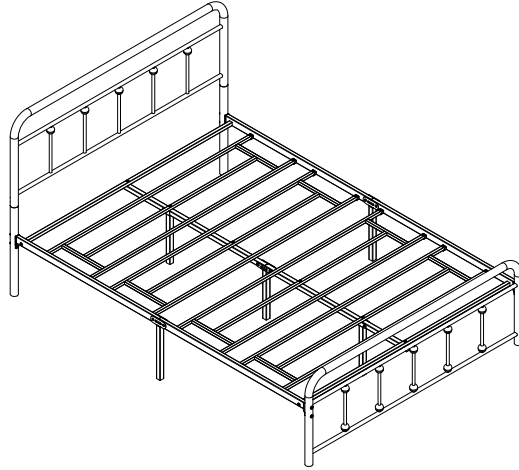


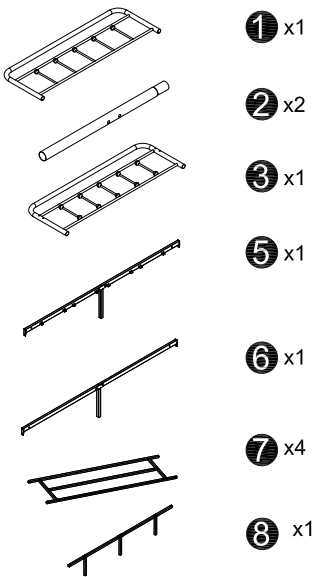
Bed Frame Installation Manual

#Number System

Easy assembly by following 1,2,3...



Componets



Screws & Tools

(A)		M8x50mm	x4
(B)		M6xØ8x22mm	x4
(C)		M6x15mm	x4
(D)		M6x25mm	x16
(E)		M6x35mm	x8
(F)		M6x55mm	x2
(G)		M6x30mm	x4
(H)		M8	x8
(L)		M4	x2

9 x2

Check all the components & screws before assembly. **Do not install in case part is missing, contact us to get.** Send email with your question to us. We will resend within 24 hours.

We believe you will absolutely love your Metal platform bed. But if for some reason you want to return the foundation, please contact us directly before you decide to return your product. Our customer service organization can answer most concerns and assist you with any questions you may have about your new foundation, please email us first. The item must be return within 30 days of delivery for a full refund. The item must be returned in good condition, in original box, with all original proof of purchase, parts and accessories.

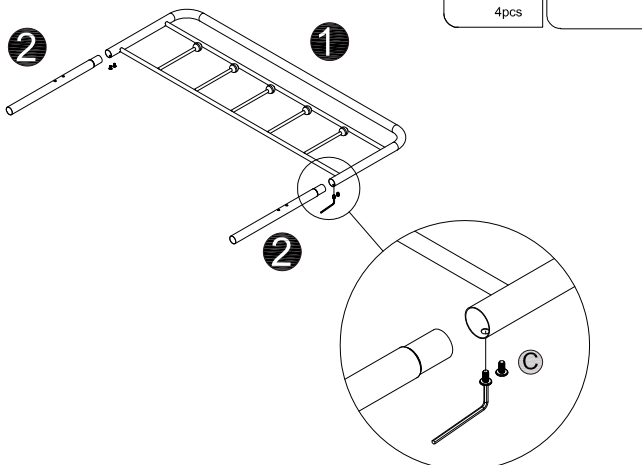
Trouble shooting:

Missing parts
↓
Send email with your question to us
Resend within 24 hours
Issue resolved

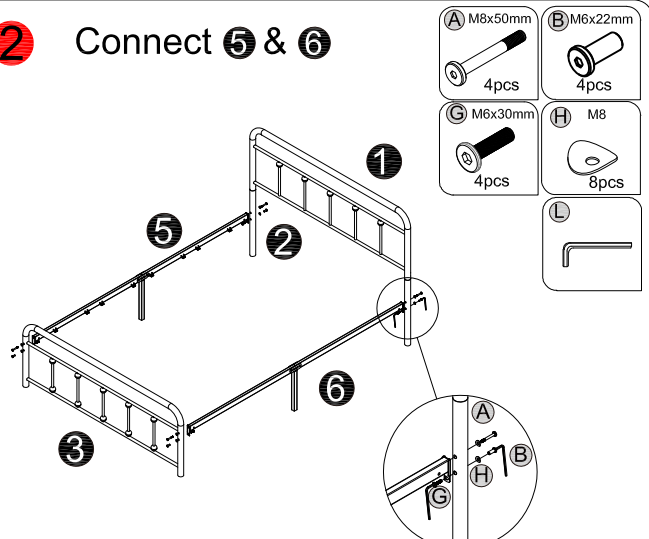
Other issues
Send email with your issue to us
Respond within 24 hours
Issue resolved

We control manufacturing and distribution ourselves, ensure the quality.

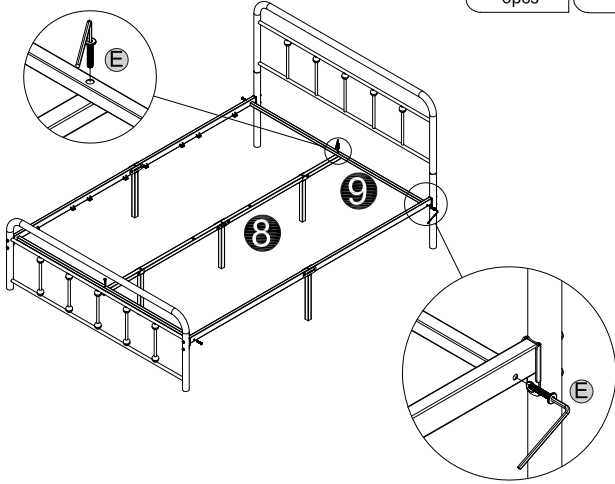
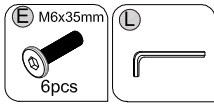
1 Headboard assembly



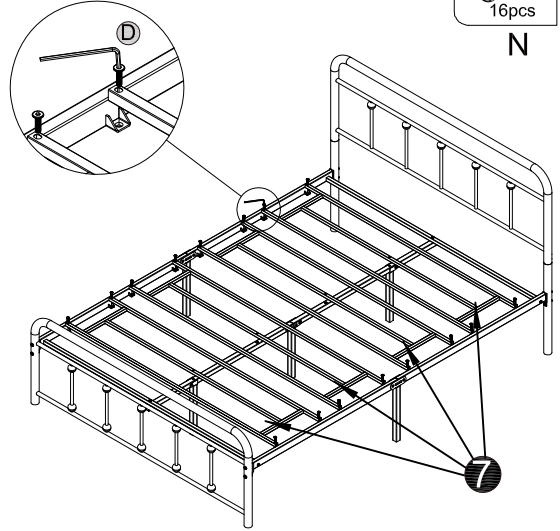
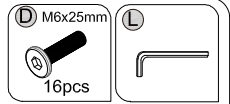
2 Connect 5 & 6



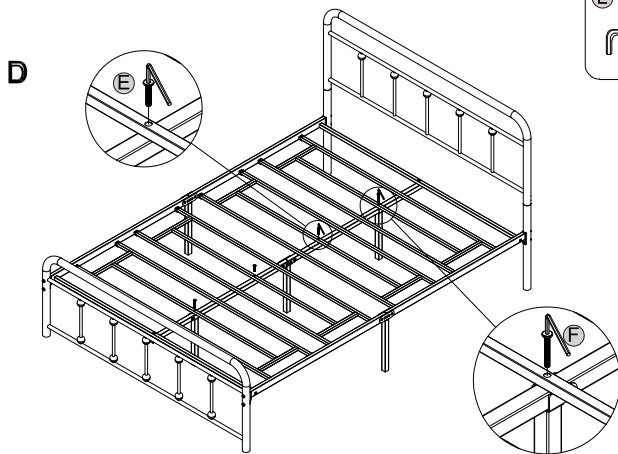
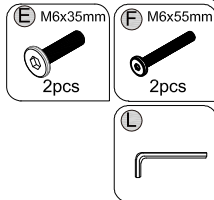
3 Connect **8** & **9**



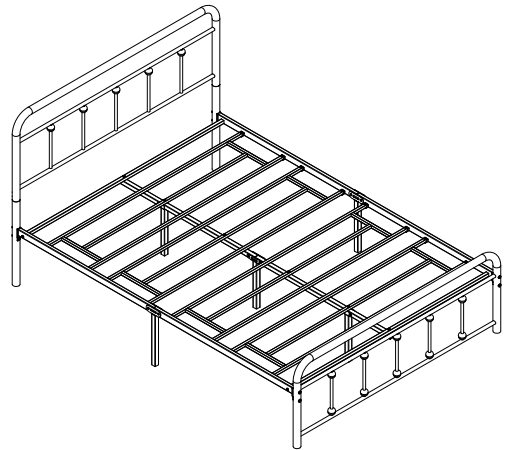
4 Connect **7** X 4



5 Lock the 4 middle screws



6 Check and tighten all screws



CAUTIONS!

