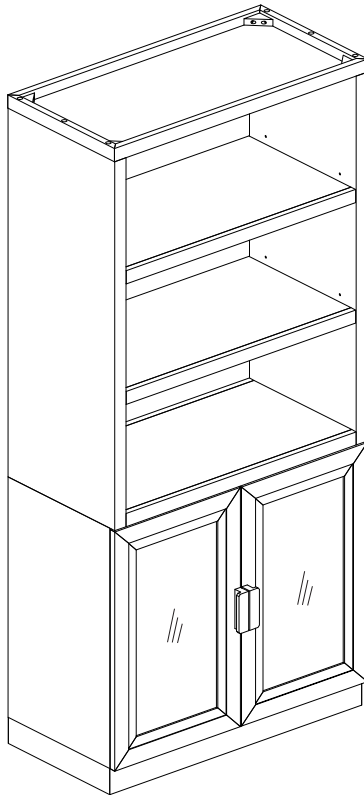


ROADES GLASS CABINET BOOKCASE

DESIGN# SFV4225

Assembly Instructions

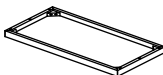
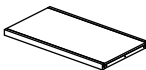
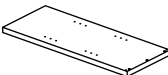
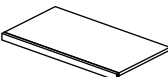
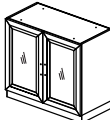



SAFAVIEH
C O U T U R E






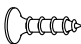

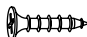
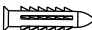
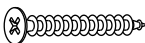
Thanks for bringing Safavieh Couture into your home

Everything we make is incredibly simple to set up, including your new bookcase. You won't need any additional tools.

Parts List

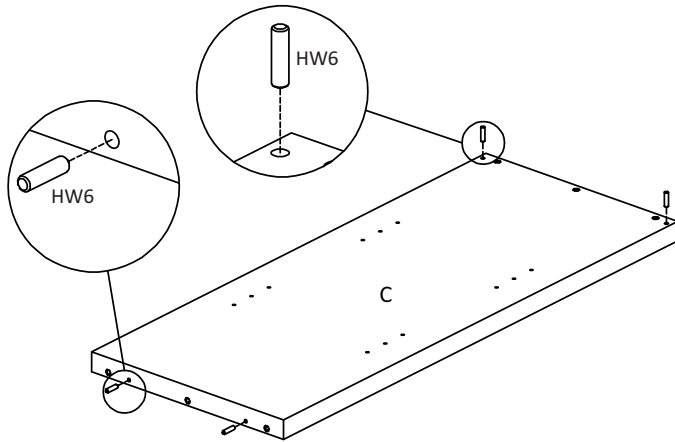
A x 1 Top panel	
B x 1 Bottom panel	
C x 2 Side panel (L&R)	
Dx 2 Shelves	
Ex 1 Base	
F x 2 Handle	

Hardware List

HW1 x 10 Bolt M6x35mm	
HW2 x 16 Flat Washer M6x14mm	
HW3 x 16 Spring washer M6x10mm	
HW4 x 6 Bolt M6x50mm	
HW5 x 1 Allen key	
HW6 x 8 Wooden dowel	
HW7 x 4 Bolt M4x25mm	
HW8 x 8 Shelf pin	
HW9 x 8 Screws 3.5x12mm	
HW10 x 4 Plastic Brackets	
HW11 x 2 Restraint straps	
HW12 x 4 Short screws	
HW13 x 4 Plastic anchors	
HW14 x 4 Long screws	

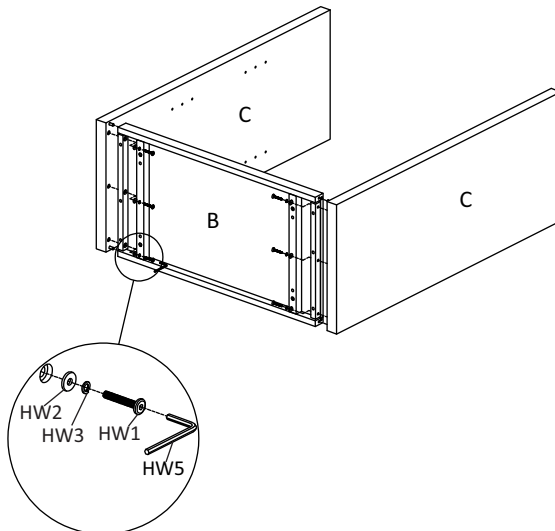
1

Insert the wooden dowels (HW6) into both ends of the side panels (C).



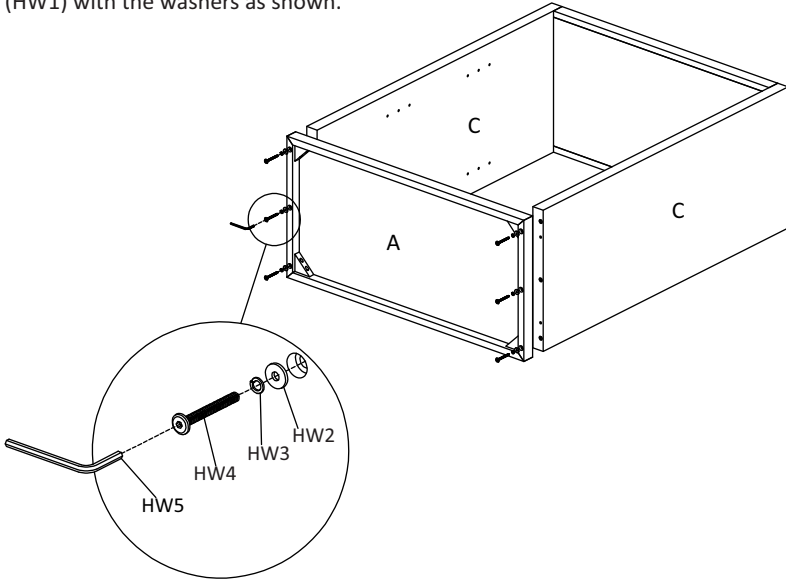
2

Place the Spring Washer (HW3) and Flat Washer (HW2) on the bolts (HW1) as shown. Attach the bottom panel (B) to the side panels (C) by using the Allen Key (HW5) to screw in the bolts (HW1) with the washers as shown.



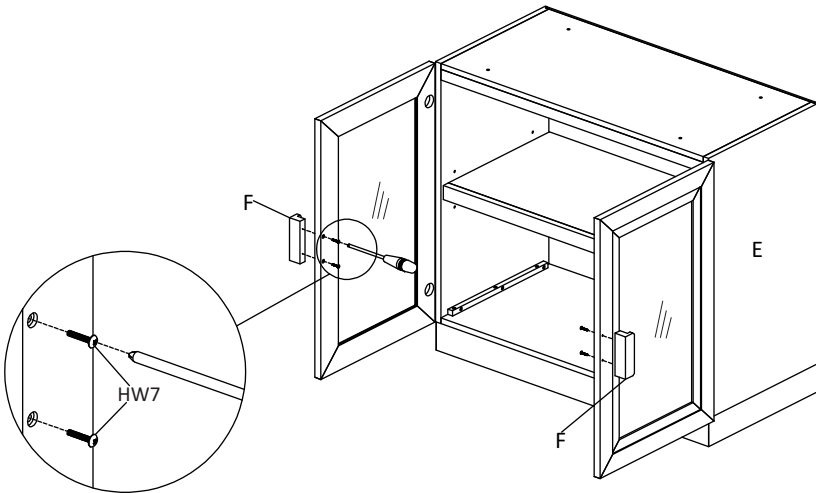
3

Place the Spring Washer (HW3) and Flat Washer (HW2) on the bolts (HW1) as shown. Attach the top panel (A) to the side panels (C) by using the Allen Key (HW5) to screw in the bolts (HW1) with the washers as shown.



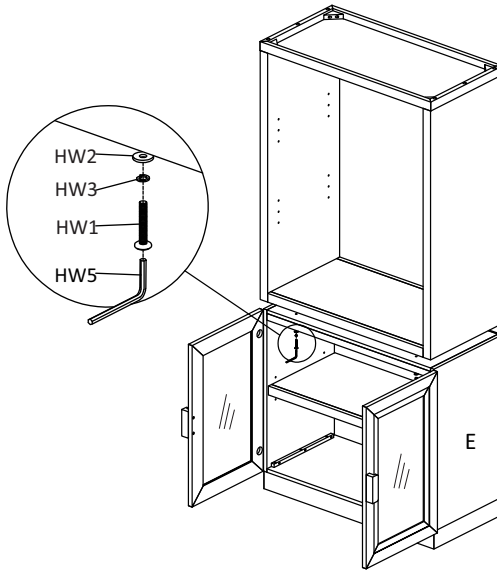
4

Attach the handle (F) to the door by using a Philips Head Screwdriver to screw in the bolts (HW7) as shown.



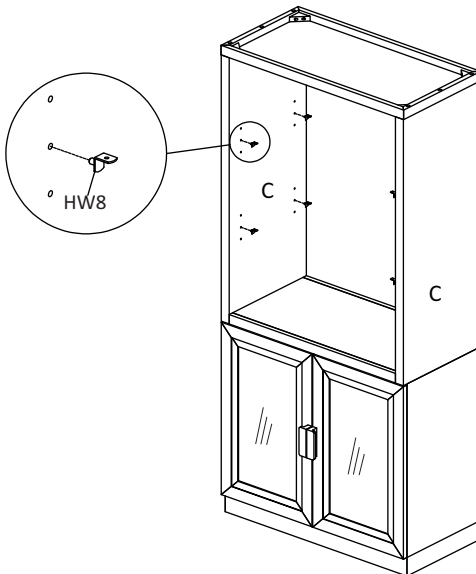
5

Place the Spring Washer (HW3) and Flat Washer (HW2) on the bolts (HW1) as shown. Attach the base (E) to the assembled upper bookcase by using the Allen Key (HW5) to screw in the bolts (HW1) with the washers as shown.



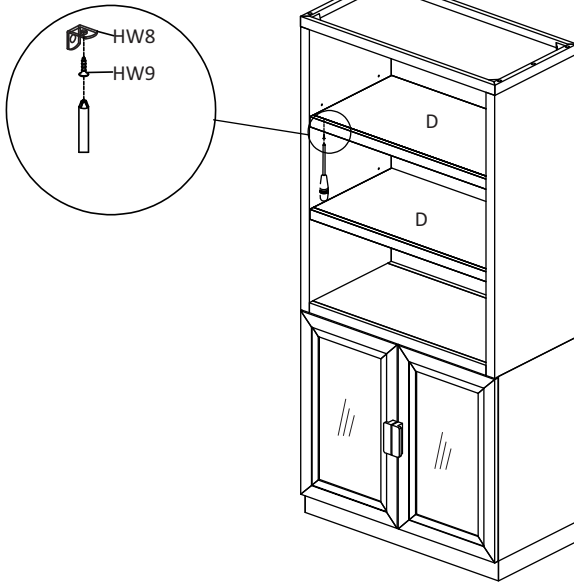
6

Insert the shelf pins (HW8) into the inside of the side panels (C) as shown.



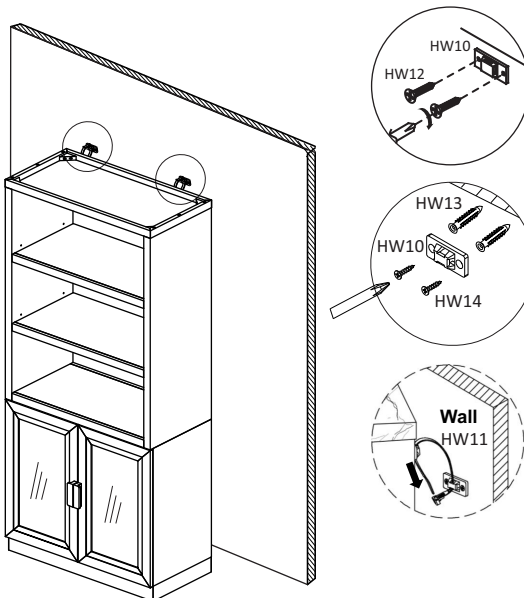
7

Place the shelves (D) on top of the shelf pins (HW8). Use a Philips Head Screwdriver to screw in the screws (HW9) to attach the shelves (D).



8

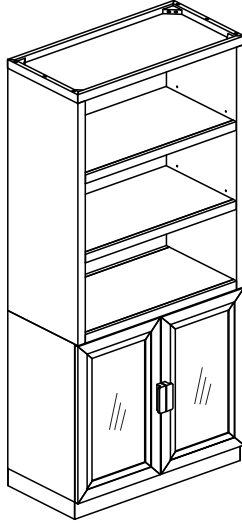
To help prevent the possibility of tipping over, install the tip over restraint kit provided.



6

Place the bookcase in the place where you will use it. We'd love to see it – just tag us (we're @safavieh) and use the hashtag #safavieh on Instagram!

@safavieh



Need help?

Feel free to contact us via email or call
if you have any specific questions!

contact us:

cs@safavieh.com

866-422-9070