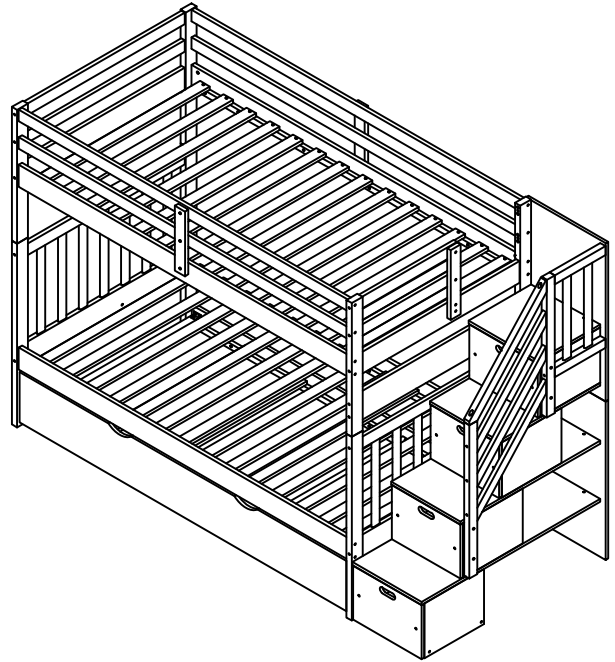
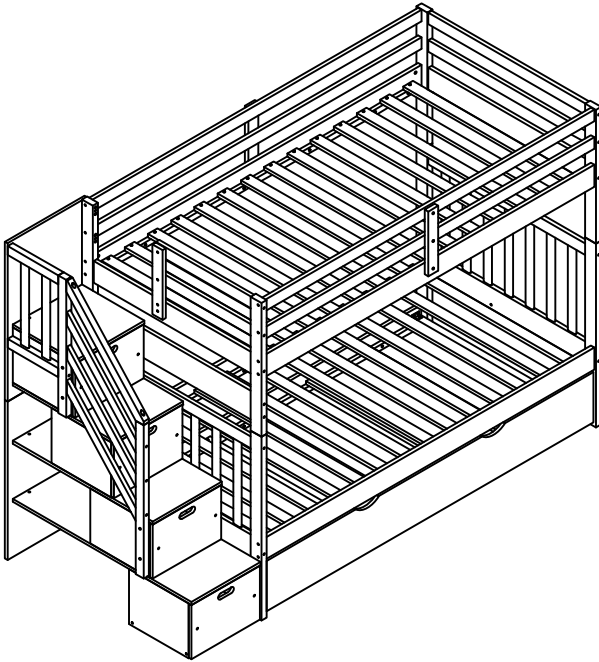


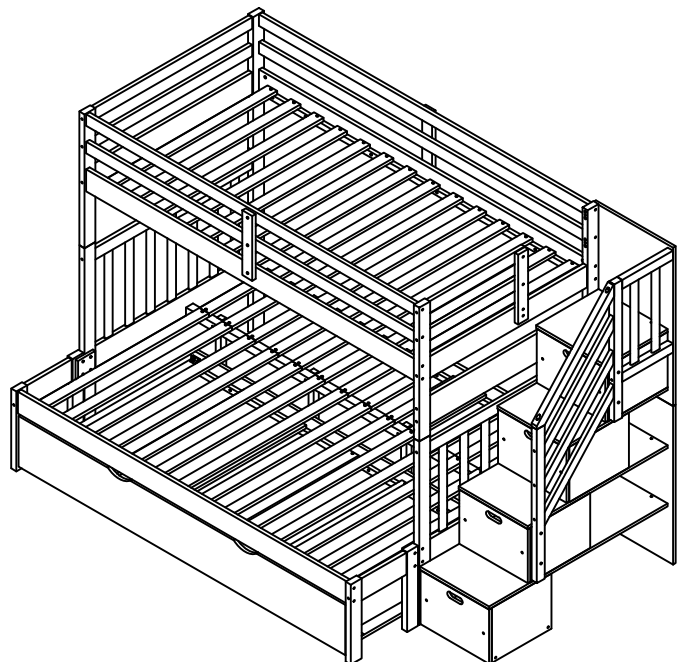
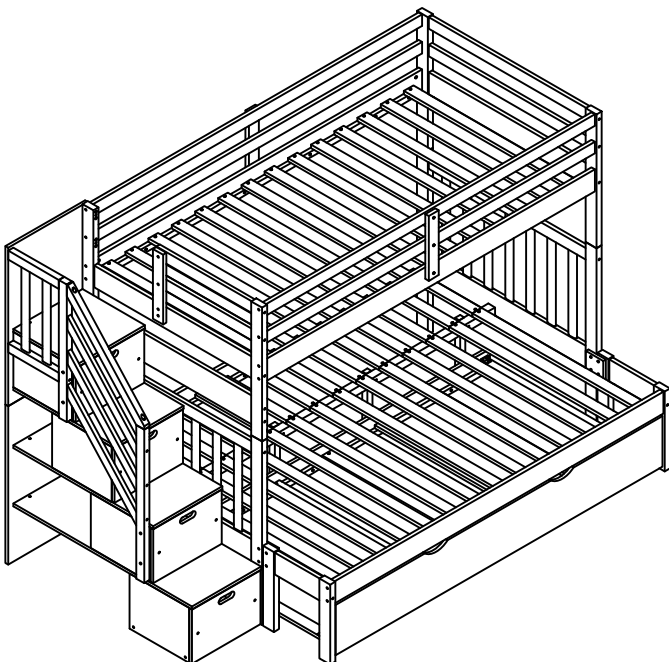
ASSEMBLY INSTRUCTIONS

TWIN OVER TWIN / FULL BUNK BED

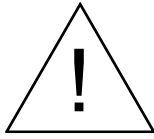
TWIN - TWIN



TWIN - FULL



ASSEMBLY INSTRUCTIONS



SAFETY WARNINGS



1. This bed is designed for use only mattress (es) meeting the following specifications on the upper bunk, and lower bunk:

Upper bunk (bunk bed and tribed included)

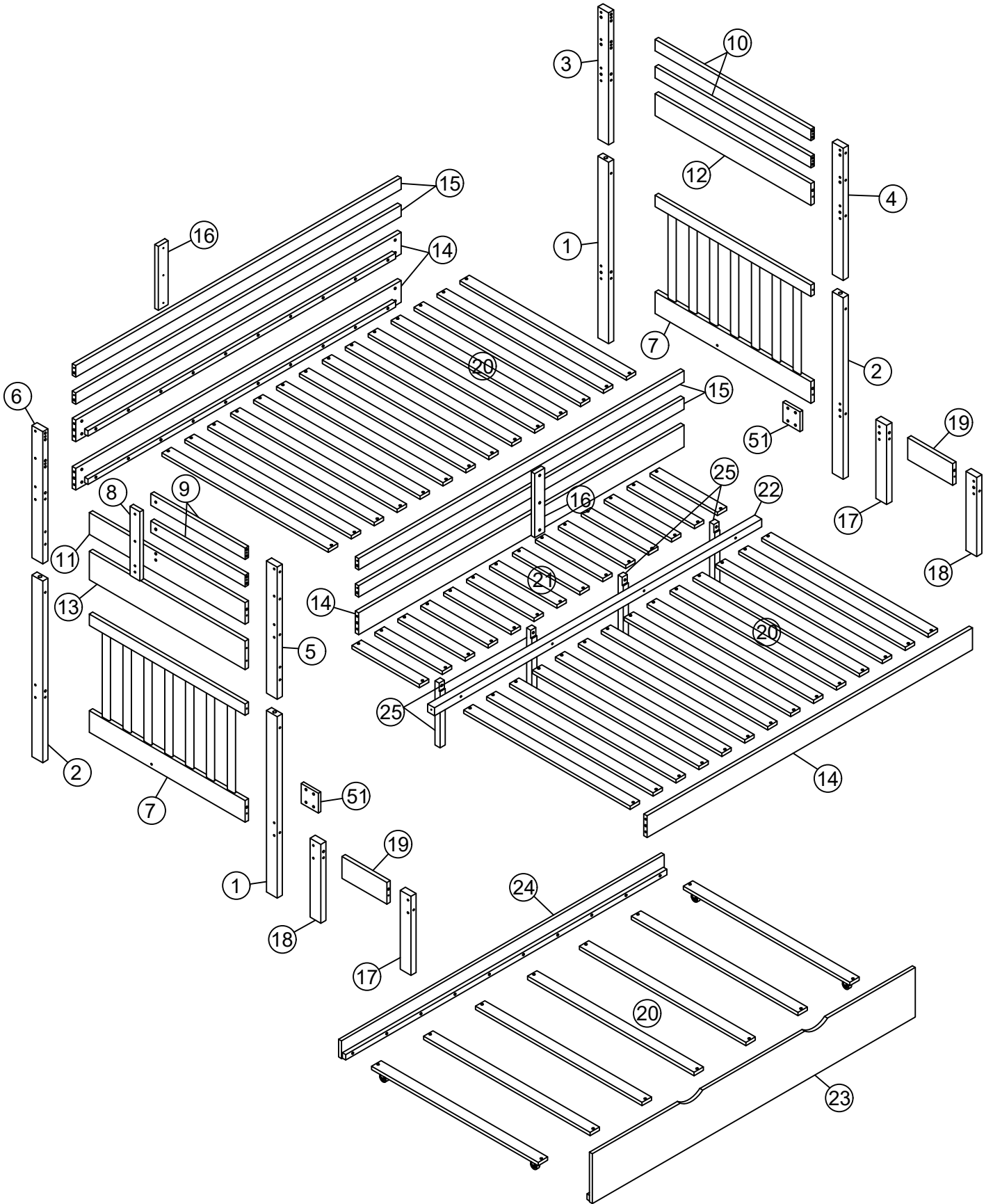
Bed Type	Length	Width	Thickness
Twin Standard	74" - 75"	37 $\frac{1}{2}$ " - 38 $\frac{1}{2}$ "	6" max

Lower bunk

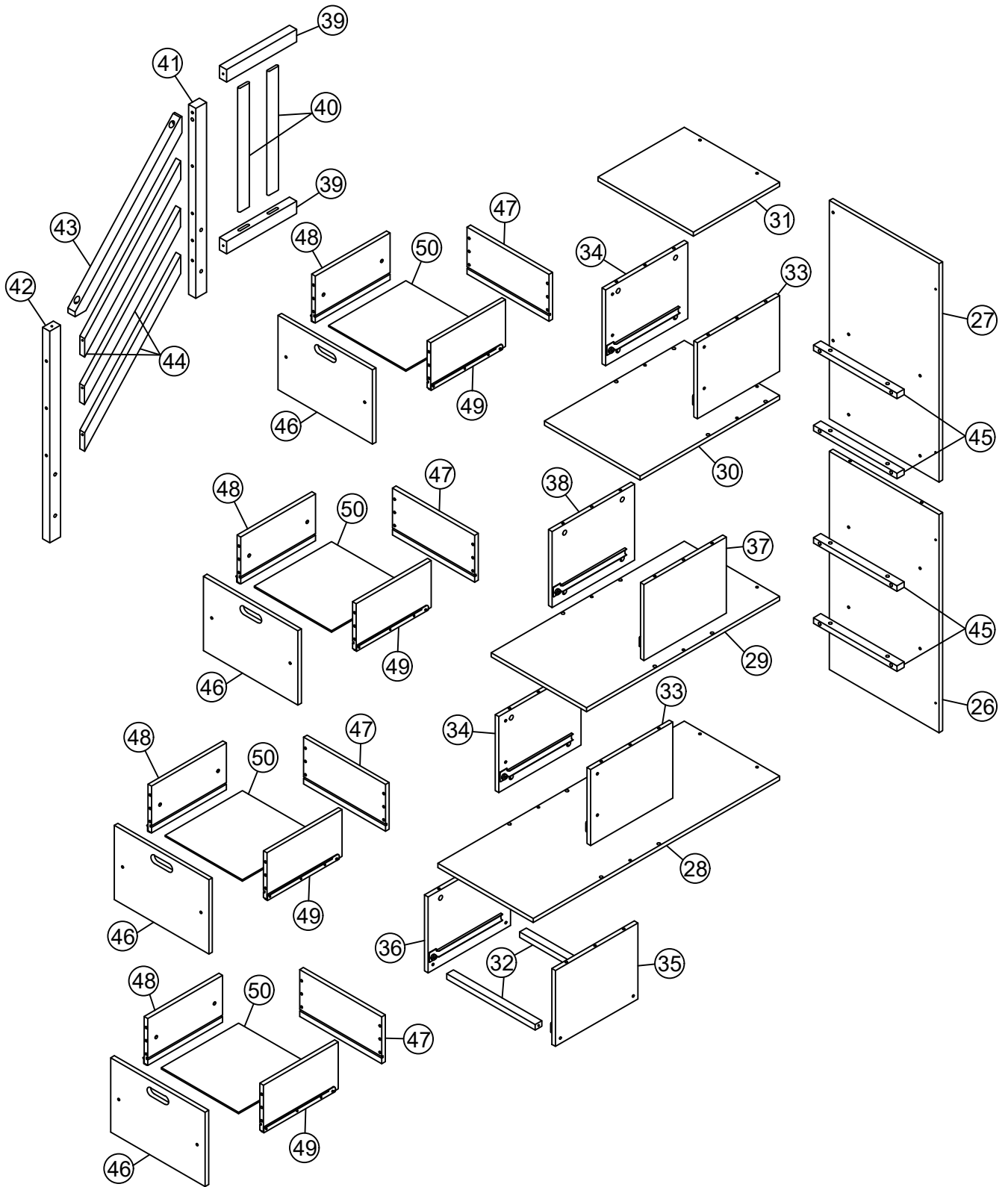
Bed Type	Length	Width	Thickness
Twin Standard	74" - 75"	37 $\frac{1}{2}$ " - 38 $\frac{1}{2}$ "	8"
Full Standard	74" - 75"	53" - 54"	8"

2. Replacement parts, including additional guardrails, maybe obtained from any of our dealers
3. Follow the information on the warnings appearing on the upper bunk bed end structure and on the carton. Do not remove warning label from bed.
4. Always use the recommended size mattresses or mattress supports, or both, to help prevent the likelihood of entrapment or falls.
5. Surface of mattress must be at least 5" (127mm) below the upper edge of guardrails.
6. Do not allow children under 6 years of age to use the upper bunk.
7. Periodically check and ensure that the guardrail, ladder, and other components are in their proper position, free from damage, and that all connectors are tight.
8. Do not allow horseplay on or under the bed and prohibit jumping on the bed.
9. Always use the ladder for entering and leaving the upper bunk.
10. Do not use substitute part. Contact the manufacture or dealer for replacement part.
11. Use of a night light may provide added safety precaution for a child using the upper bunk.
12. Always use guardrails on both long sides of the upper bunk. If the bunk bed will be placed next to the wall, the guardrail that runs the full length of the bed should be placed against the wall to prevent entrapment between the bed and wall.
13. The use of water or sleep flotation mattresses is prohibited.
14. **STRANGULATION HAZARD** - Never attach or hang items to any part of the bunk bed that are not designed for use with the bed; for example, but not limited to, hook, belts and jump ropes.
15. Keep these instruction for future reference.
16. Prohibit more than one person on upper bunk
17. We recommend assembling your bunk bed on the shipping carton to protect your floor or carpet.
18. Be certain all staples are out of the box before beginning assembly on the shipping carton.

ASSEMBLY INSTRUCTIONS

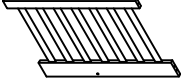
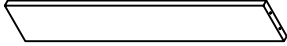
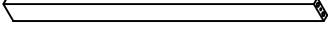
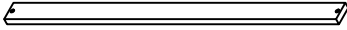
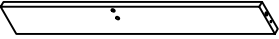
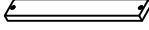
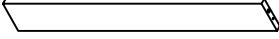


ASSEMBLY INSTRUCTIONS



ASSEMBLY INSTRUCTIONS

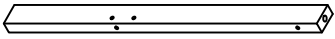
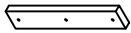
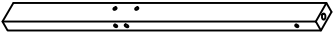
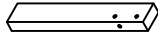
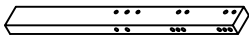
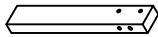

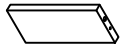
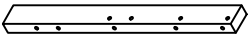
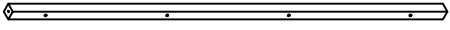

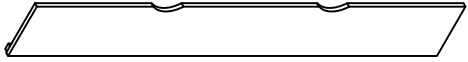
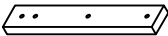
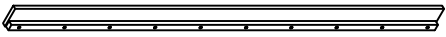
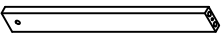
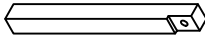
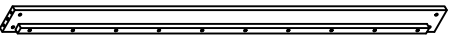
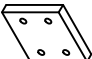
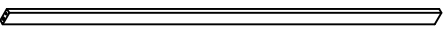
PARTS LIST

7	 Lower head board & foot board	2pcs	13	 Upper left headboard bottom rail	1pc
10	 Upper right headboard rails	2pcs	20	 Slats - upper(14pcs) / lower (14pcs)/ trundle (7pcs)	35pcs
11	 Upper left headboard center rail	1pc	21	 Slats - lower (14pcs)	14pcs
12	 Upper right headboard bottom rail	1pc			

ASSEMBLY INSTRUCTIONS

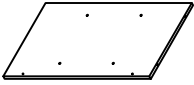
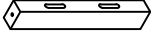
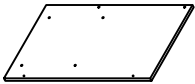
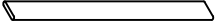

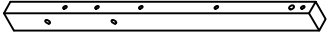

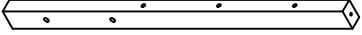

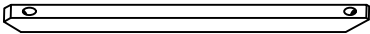
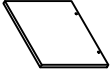
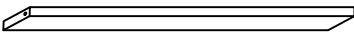
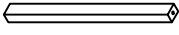
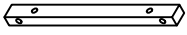
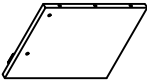
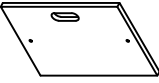
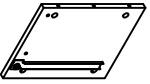
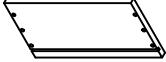
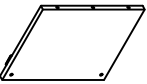

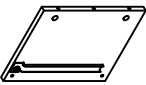

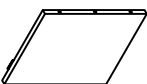
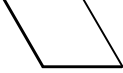
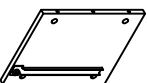
PARTS LIST

(Hardware in this #SKU)

1	 Lower - Left front leg & right back leg	2pcs	16	 Upper guardrails supports	2pcs
2	 Lower - Left back leg & right front leg	2pcs	17	 Full bed ext left front leg & right back leg	2pcs
3	 Upper right back leg	1pc	18	 Full bed ext left back leg & right front leg	2pcs
4	 Upper right front leg	1pc	19	 Full bed ext side panels	2pcs
5	 Upper left front leg	1pc	22	 Lower full ext support rail	1pc
6	 Upper left back leg	1pc	23	 Trundle front panel	1pc
8	 Upper left headboard support	1pc	24	 Trundle back rail	1pc
9	 Upper left headboard rails	2pcs	25	 Center rails support legs	4pcs
14	 Upper & lower side rails	4pcs	51	 Full ext connect supports	2pcs
15	 Upper guardrails	4pcs			










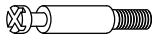





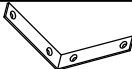

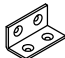




ASSEMBLY INSTRUCTIONS

PARTS LIST

26	 Ladder back bottom panel	1pc	39	 Ladder support	2pcs
27	 Ladder back top panel	1pc	40	 Ladder supports	2pcs
28	 Ladder bottom step panel	1pc	41	 Ladder support	1pc
29	 Ladder center step panel	1pc	42	 Ladder support	1pc
30	 Ladder center step panel	1pc	43	 Ladder rail	1pc
31	 Ladder top step panel	1pc	44	 Ladder rails	3pcs
32	 Ladder bottom drawer support	2pcs	45	 Storage ladder support	4pcs
33	 Ladder drawer side panel	2pcs	46	 Drawer front panels	4pcs
34	 Ladder drawer side panels	2pcs	47	 Drawer back panels	4pcs
35	 Ladder drawer side panel	1pc	48	 Drawer left panels	4pcs
36	 Ladder drawer side panel	1pc	49	 Drawer right panels	4pcs
37	 Ladder drawer side panel	1pc	50	 Drawer bottom panels	4pcs
38	 Ladder drawer side panel	1pc			

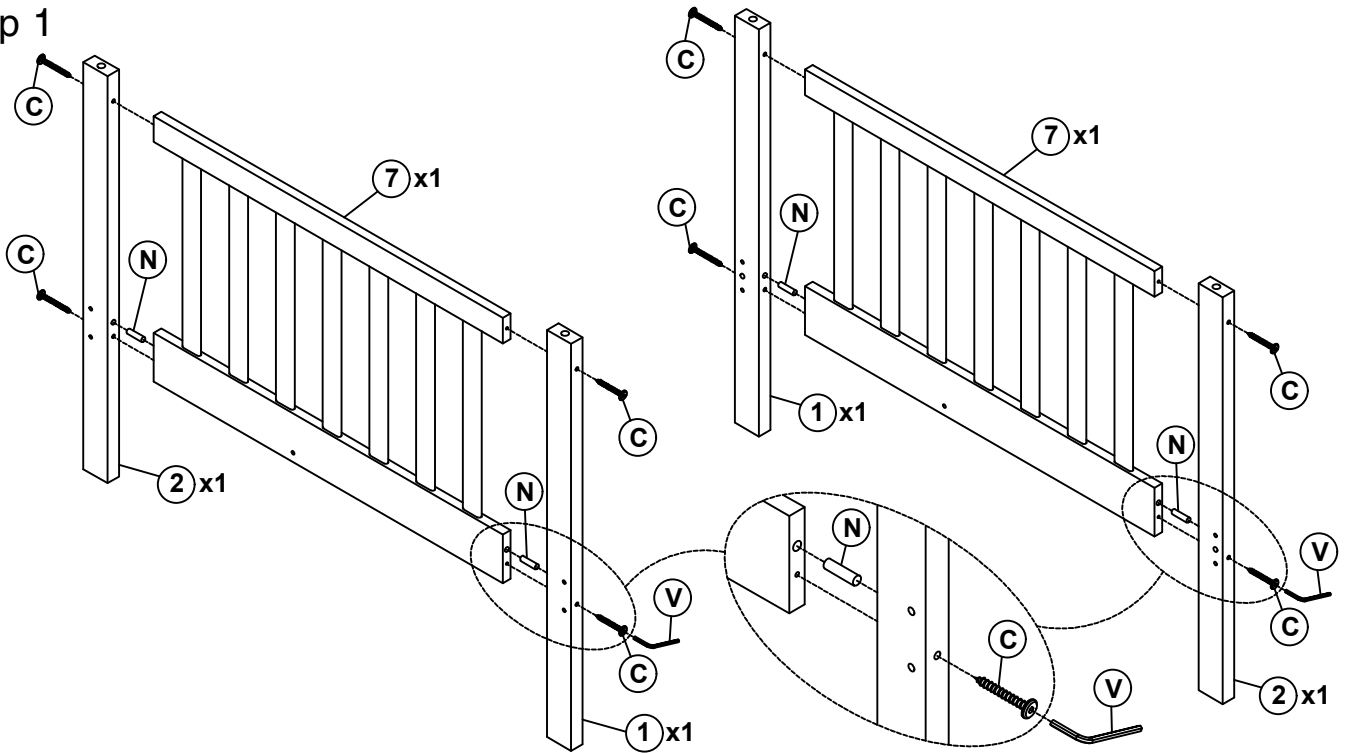
ASSEMBLY INSTRUCTIONS




HARDWARE LIST

A	Ø4x30		108PCS	L	1/4x30		8PCS
B	Ø4x15		34PCS	M	Ø14x100		4PCS
C	6.5x110		27PCS	N	Ø10x40		41PCS
D	6.5x80		15PCS	O	Ø8x30		48PCS
E	6.5x60		5PCS	P	Ø 6.5x35		28PCS
F	6.5x50		4PCS	Q	Ø15x12		28PCS
G	1/4x75		16PCS	R	Ø38x46x38		4PCS
H	1/4x60		16PCS	S	95x95x20		2PCS
I	1/4x60		4PCS	T	40x20x20		2PCS
J	1/4x40		20PCS	U	15x15x2		1PC
K	1/4x35		4PCS	V	4x58		1PC

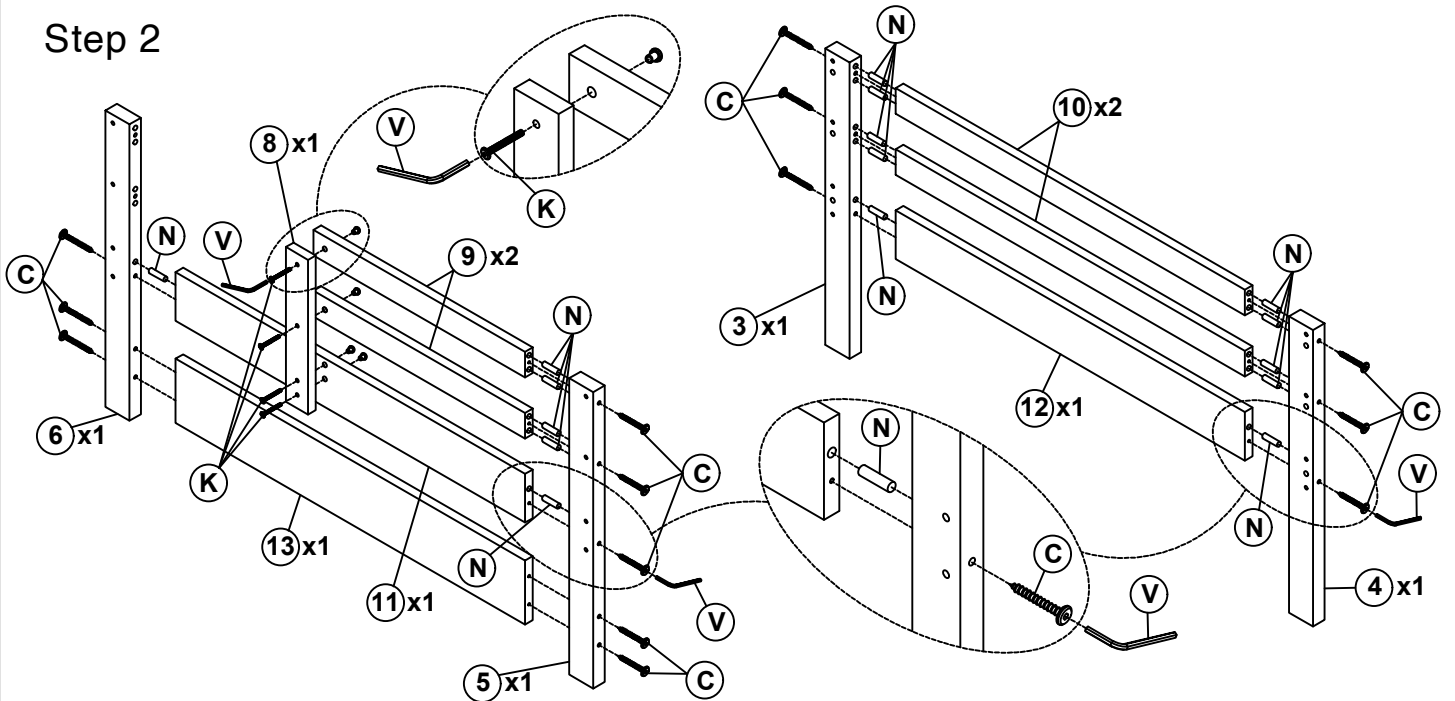
ASSEMBLY INSTRUCTIONS





Step 1



V	4x58		1PC		
C	6.5x110		8PCS	N	Ø10x40  4PCS

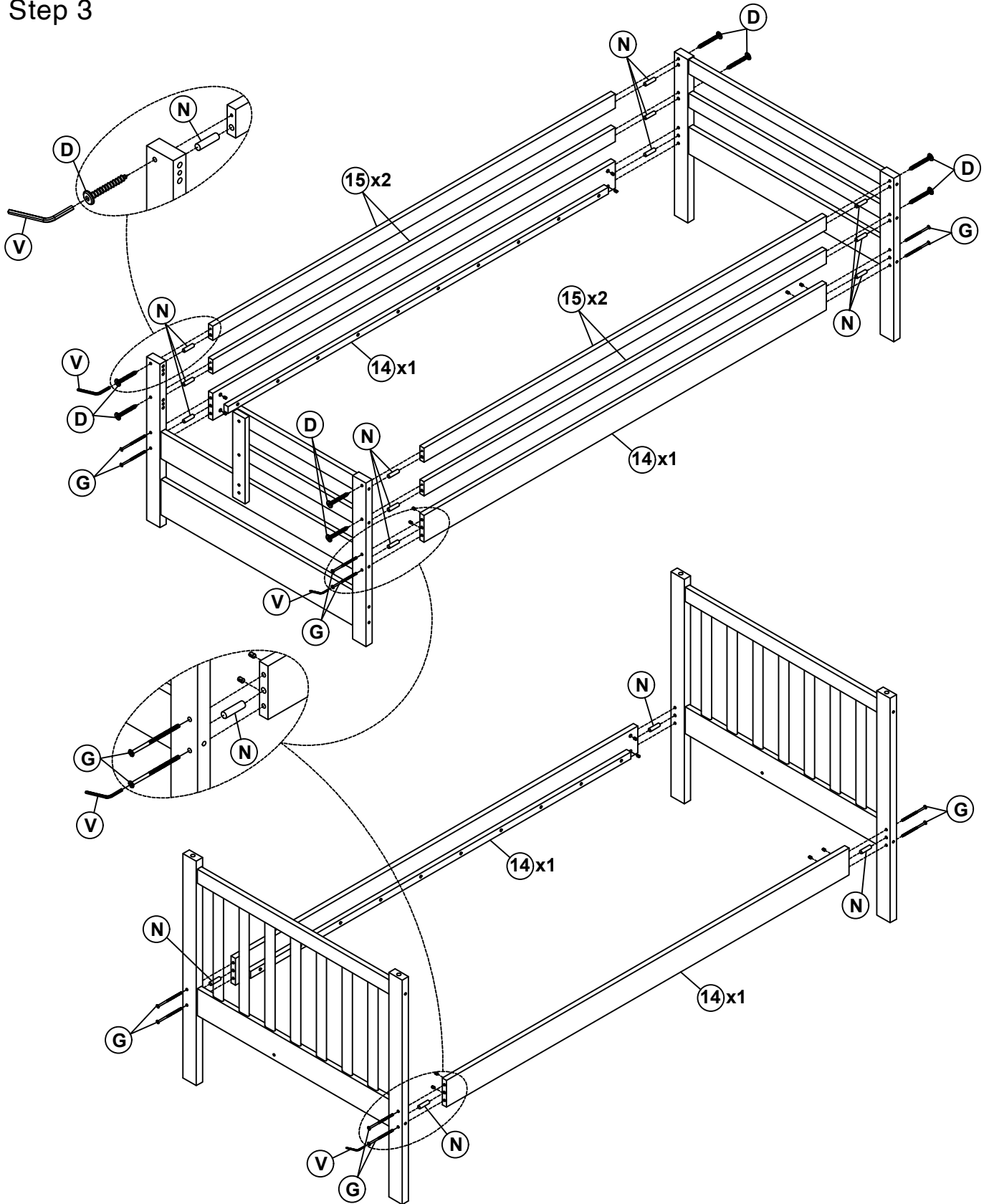
Step 2








V	4x58		1PC	K	1/4x35  4PCS
C	6.5x110		14PCS	N	Ø10x40  16PCS

ASSEMBLY INSTRUCTIONS

Step 3

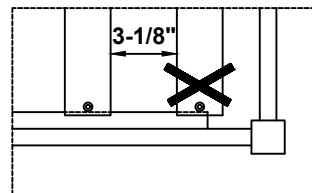
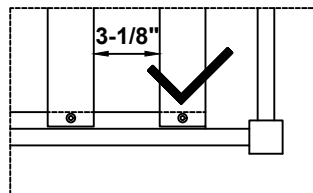
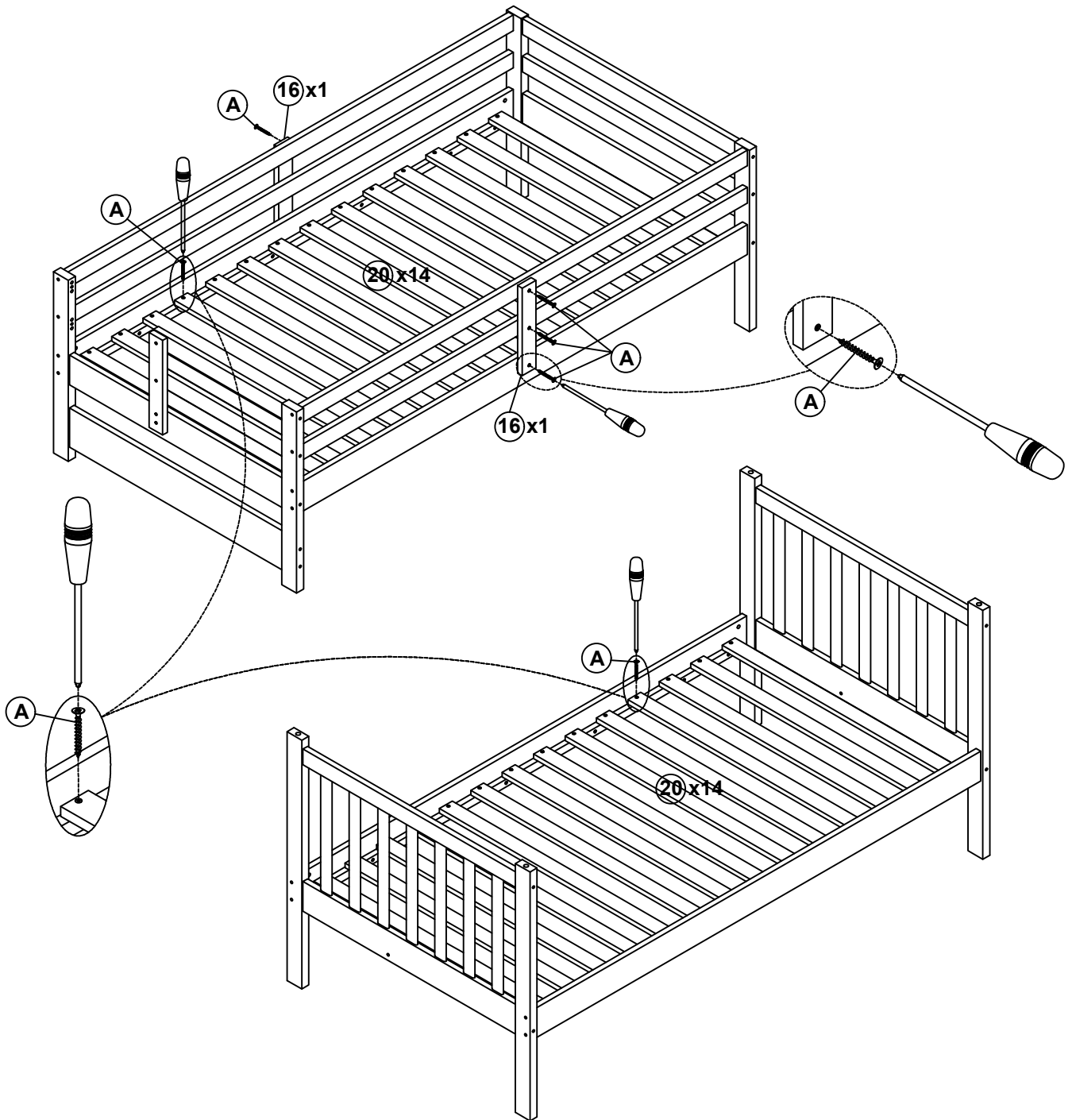


N	$\text{Ø}10 \times 40$		16PCS	D	6.5×80		8PCS
V	4×58		1PC	G	$1/4 \times 75$	 	16PCS

ASSEMBLY INSTRUCTIONS

Step 4

First attach 2pcs part 20 to the front and end of the frame between headboard.
Then attach the remaining part 20 equidistantly between headboard



Note : Do not lock the screws of the bed slats to the outermost edge of the bed slats, you need to leave a certain space at the edges, otherwise it will cause the board to break

A

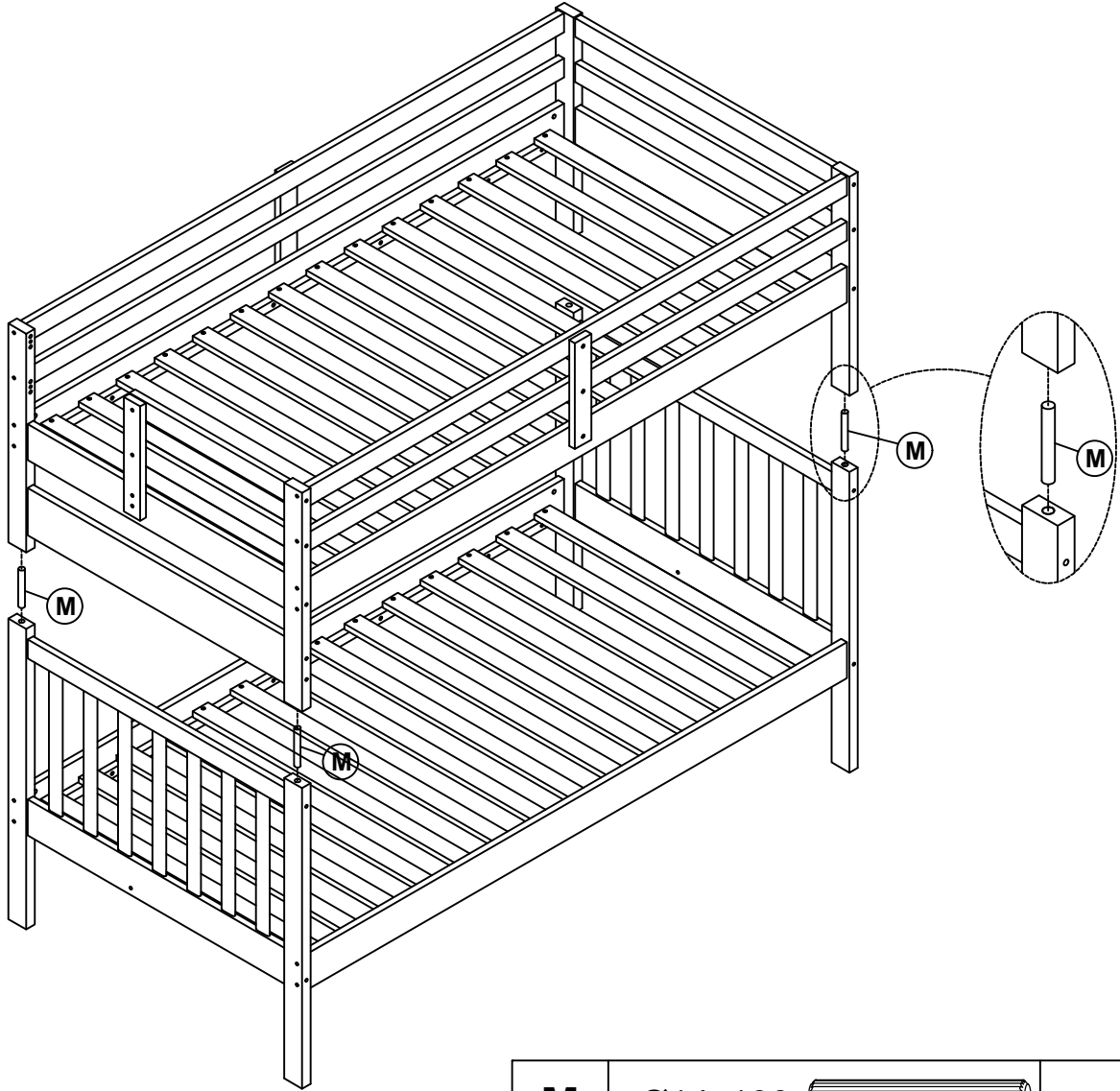
Ø4x30



62PCS

ASSEMBLY INSTRUCTIONS

Step 5



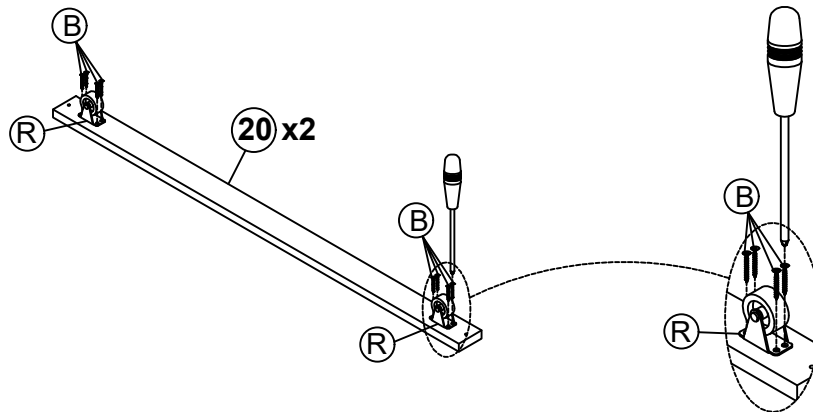
M

Ø14x100



4PCS

Step 6



B

Ø4x15



16PCS

R

Ø38x46x38

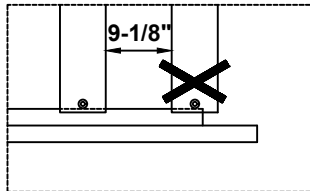
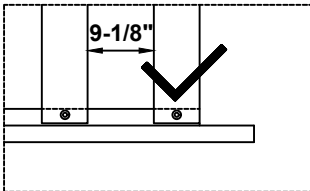
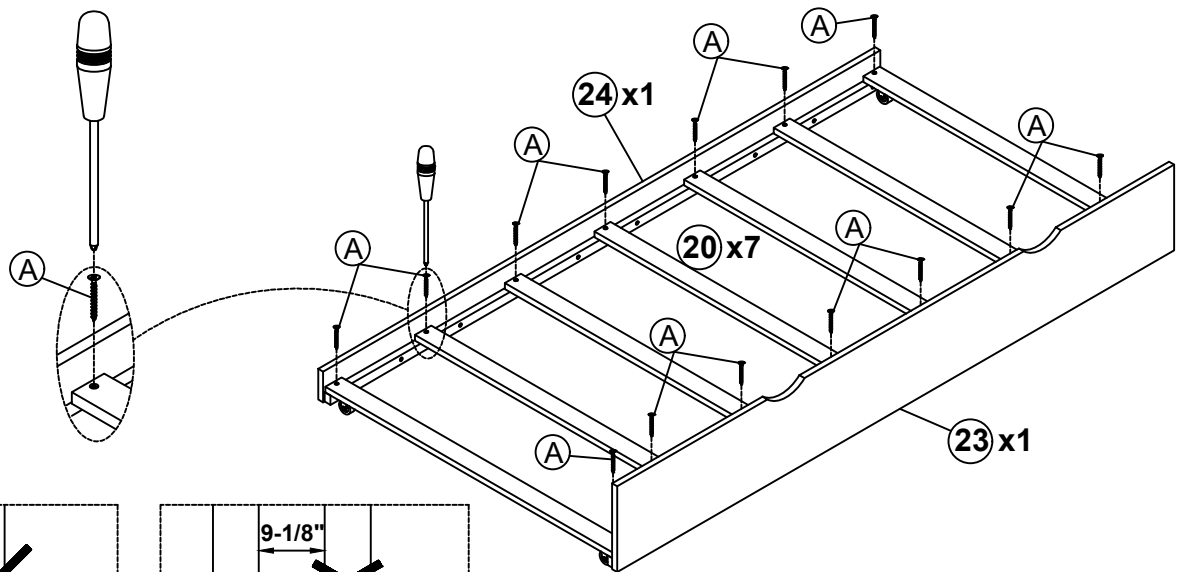


4PCS

ASSEMBLY INSTRUCTIONS

Step 7

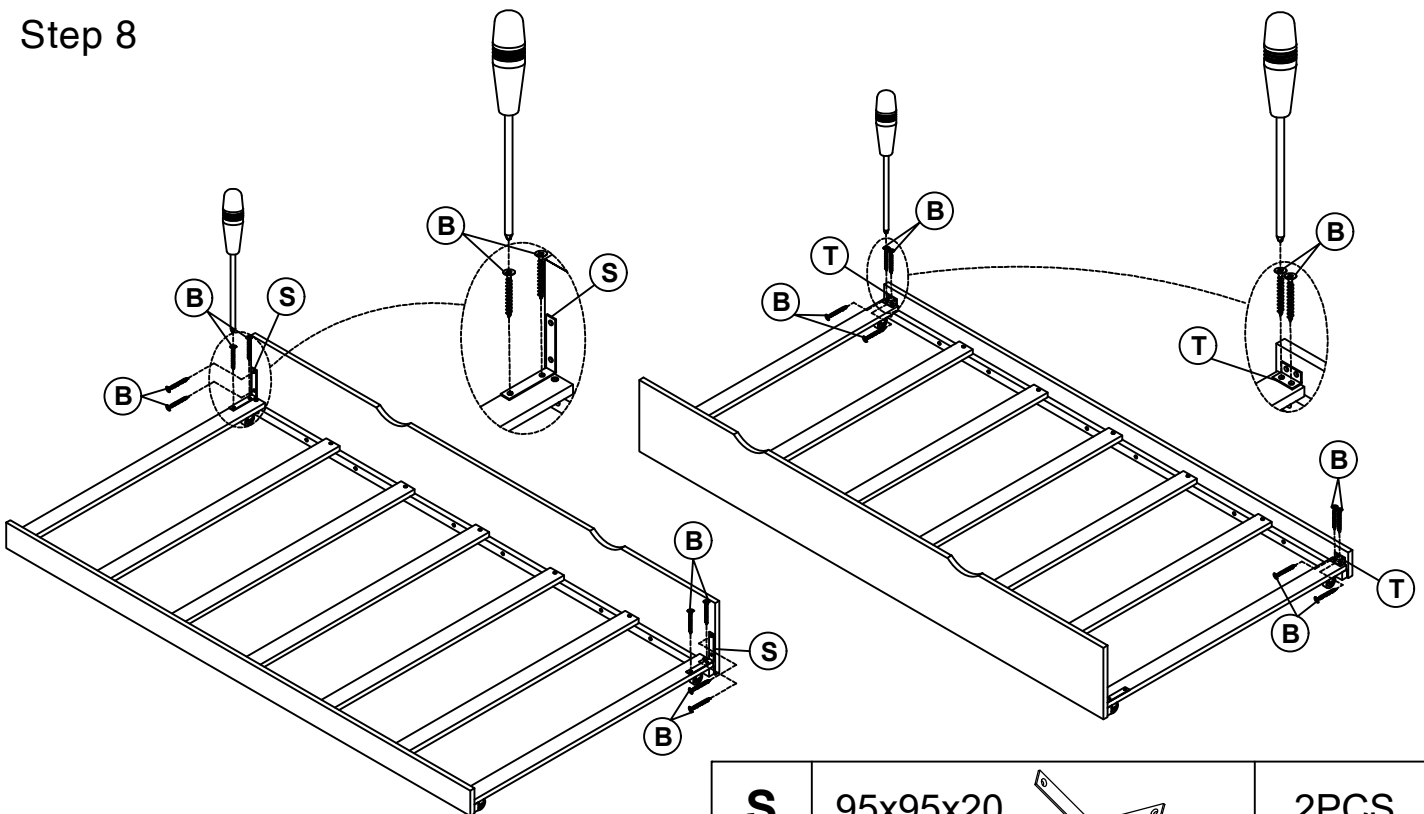
First attach 2pcs part 20 to the front and end of the frame, between side rails. Then attach the remaining part 20 equidistantly between side rails.



Note : Do not lock the screws of the bed slats to the outermost edge of the bed slats, you need to leave a certain space at the edges, otherwise it will cause the board to break

A	Ø4x30		14PCS
----------	-------	---	-------

Step 8



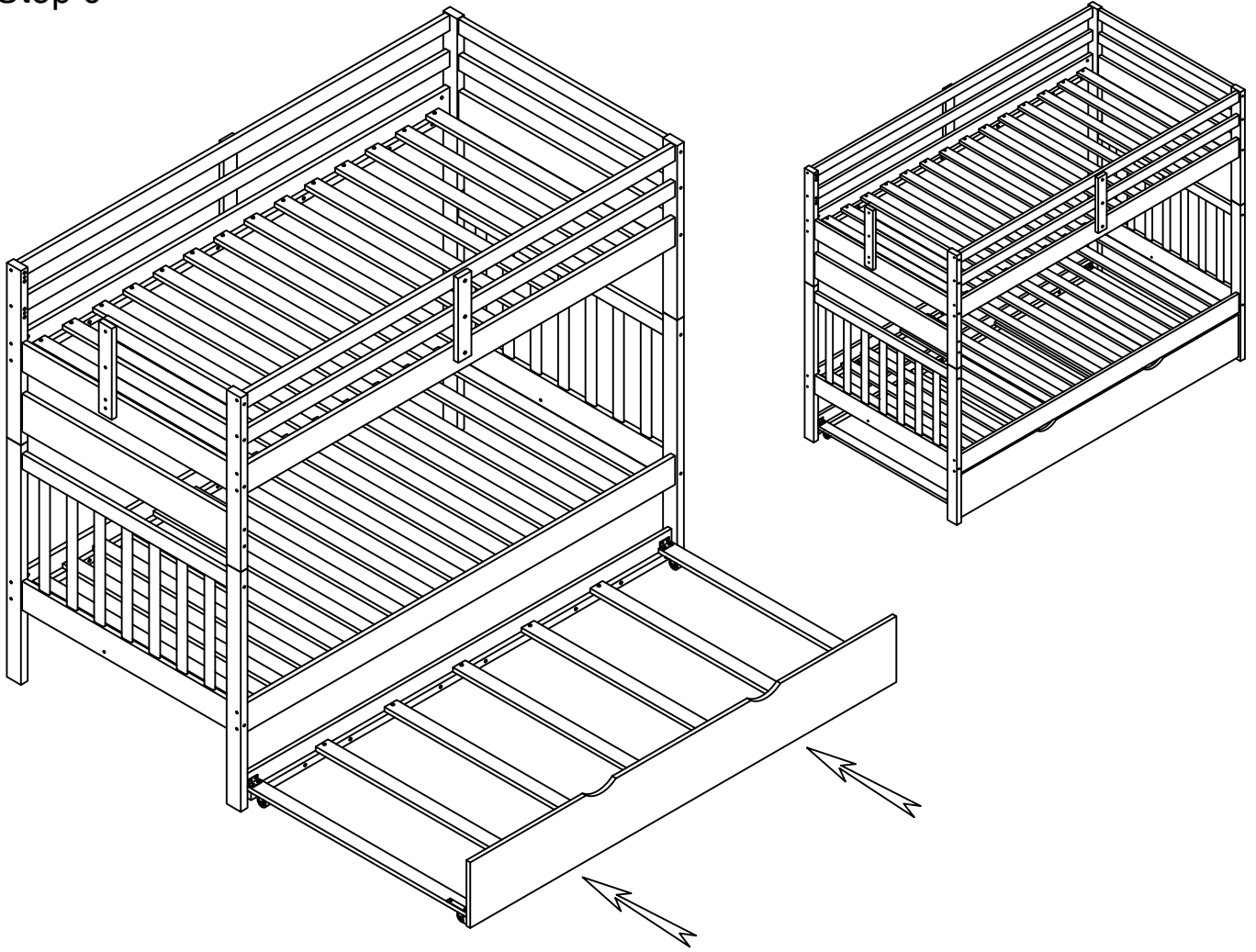
B	Ø4x15		16PCS
----------	-------	---	-------

S	95x95x20		2PCS
----------	----------	---	------

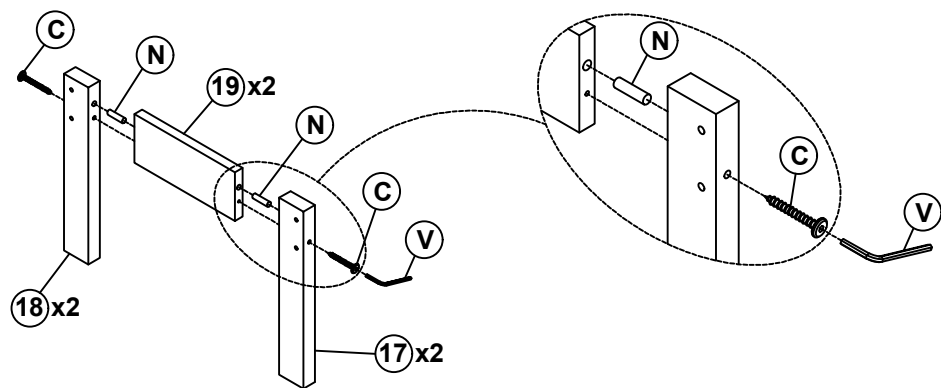
T	40x20x20		2PCS
----------	----------	---	------

ASSEMBLY INSTRUCTIONS

Step 9



Step 10

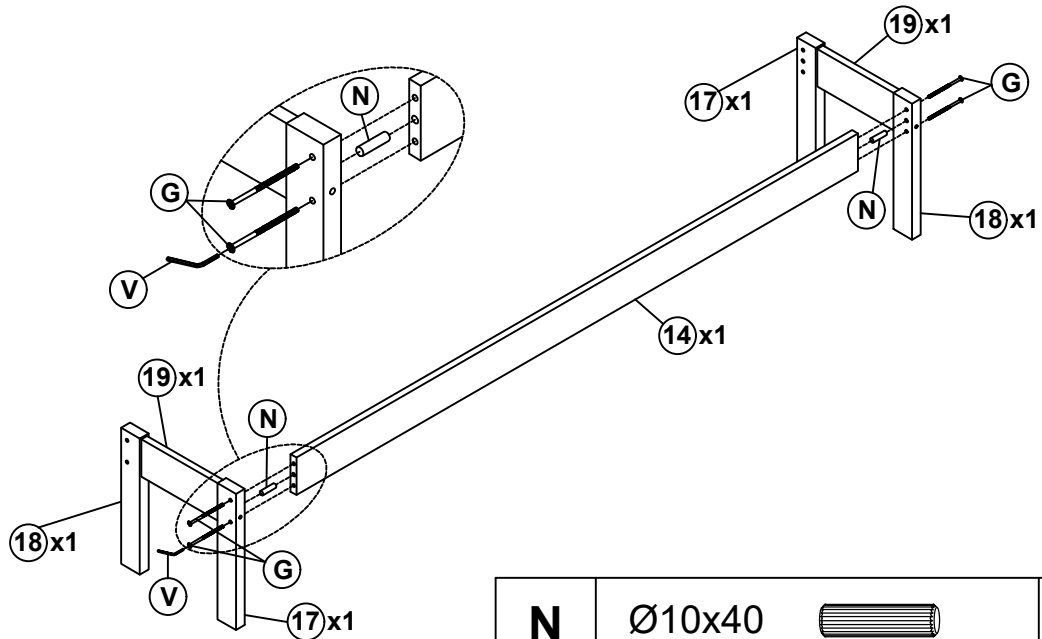


V	4x58		1PC				
C	6.5x110		4PCS	N	Ø10x40		4PCS

ASSEMBLY INSTRUCTIONS

Step 11

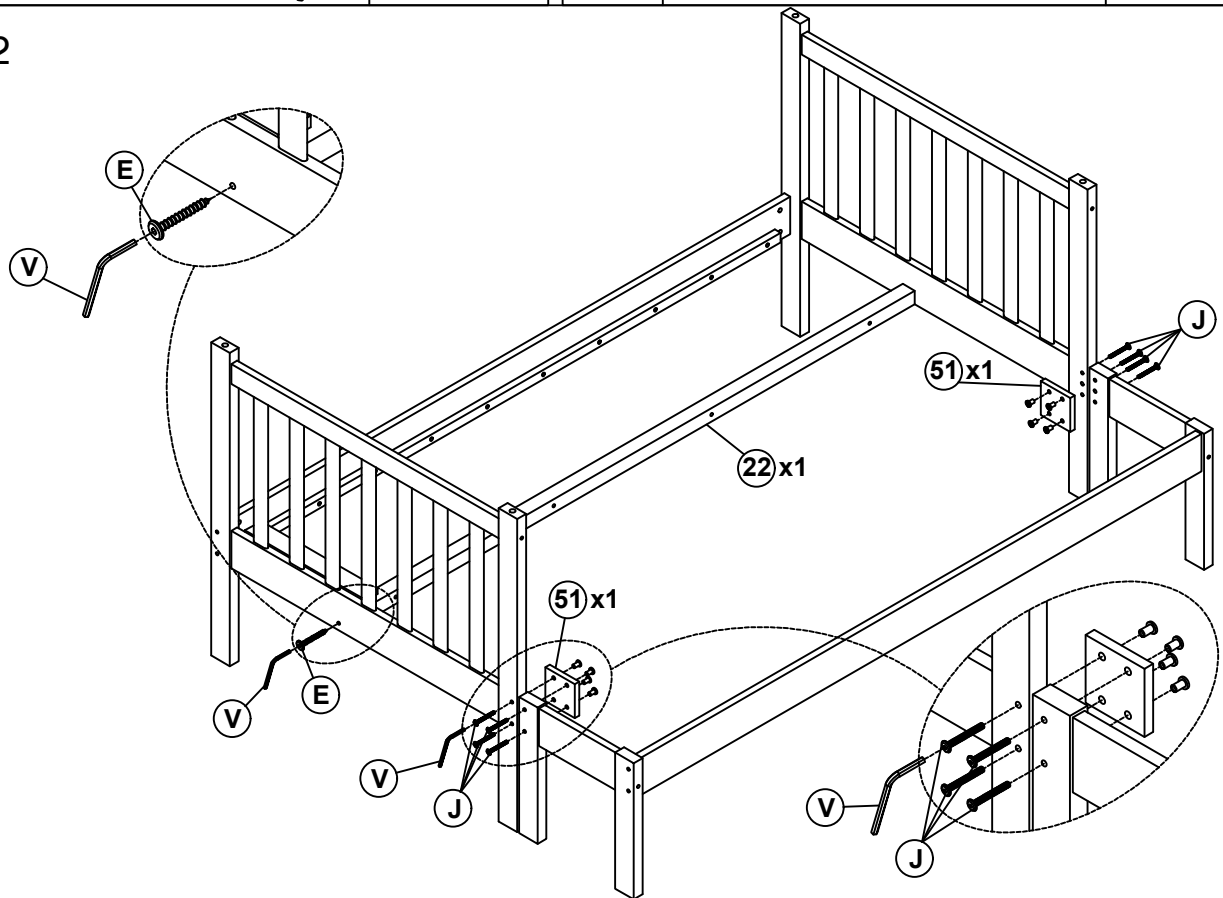
OPEN (14) LOWER FRONT SIDE RAIL AND REUSE 4PCS (G) TO ASSEMBLY WITH (17) & (18) "FULL SIZE EXTENTIN KIT"



N	Ø10x40		2PCS
G	1/4x75		4PCS

V	4x58		1PC
----------	------	--	-----

Step 12

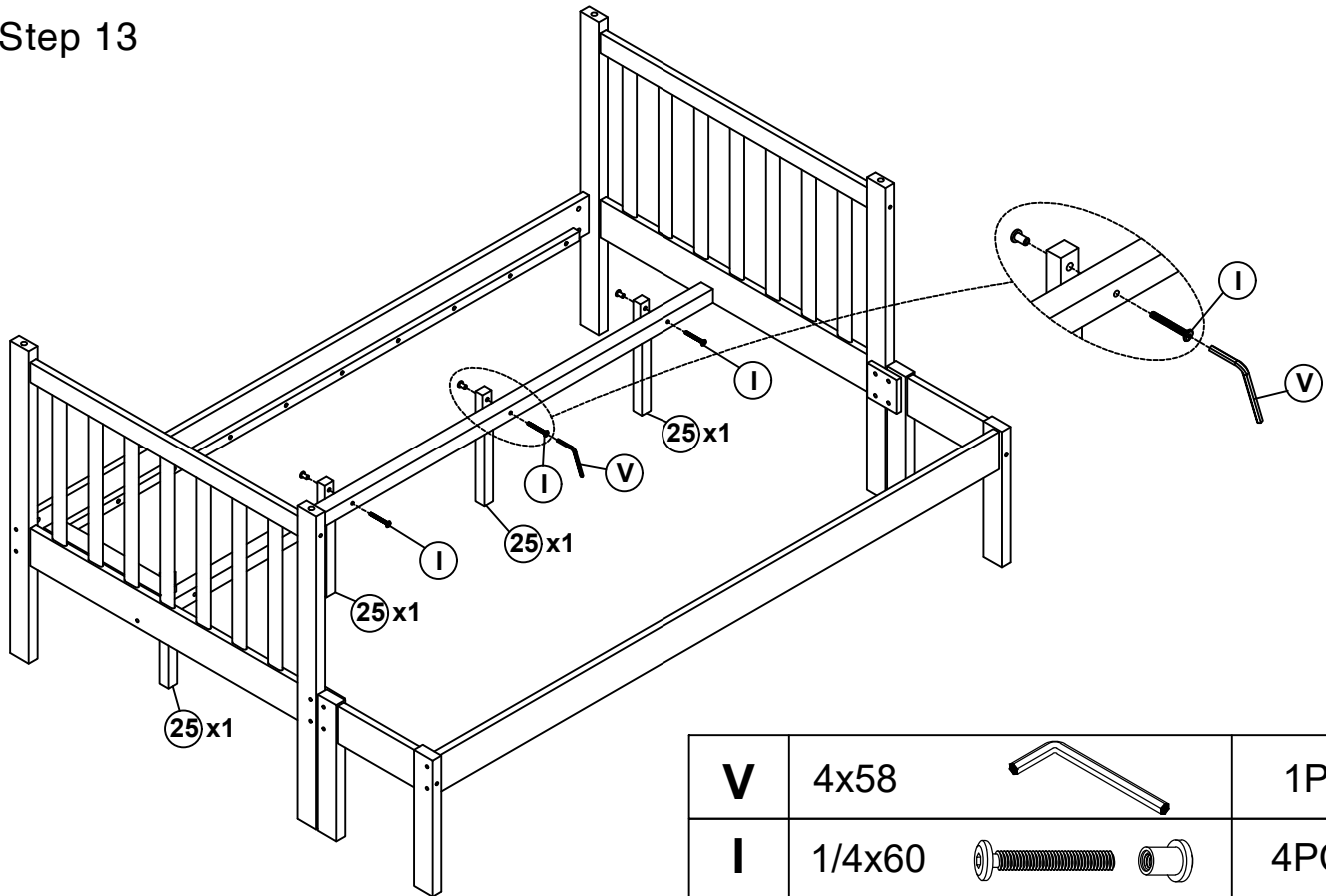


E	6.5x60		2PCS
V	4x58		1PC

J	1/4x40		8PCS
----------	--------	--	------

ASSEMBLY INSTRUCTIONS

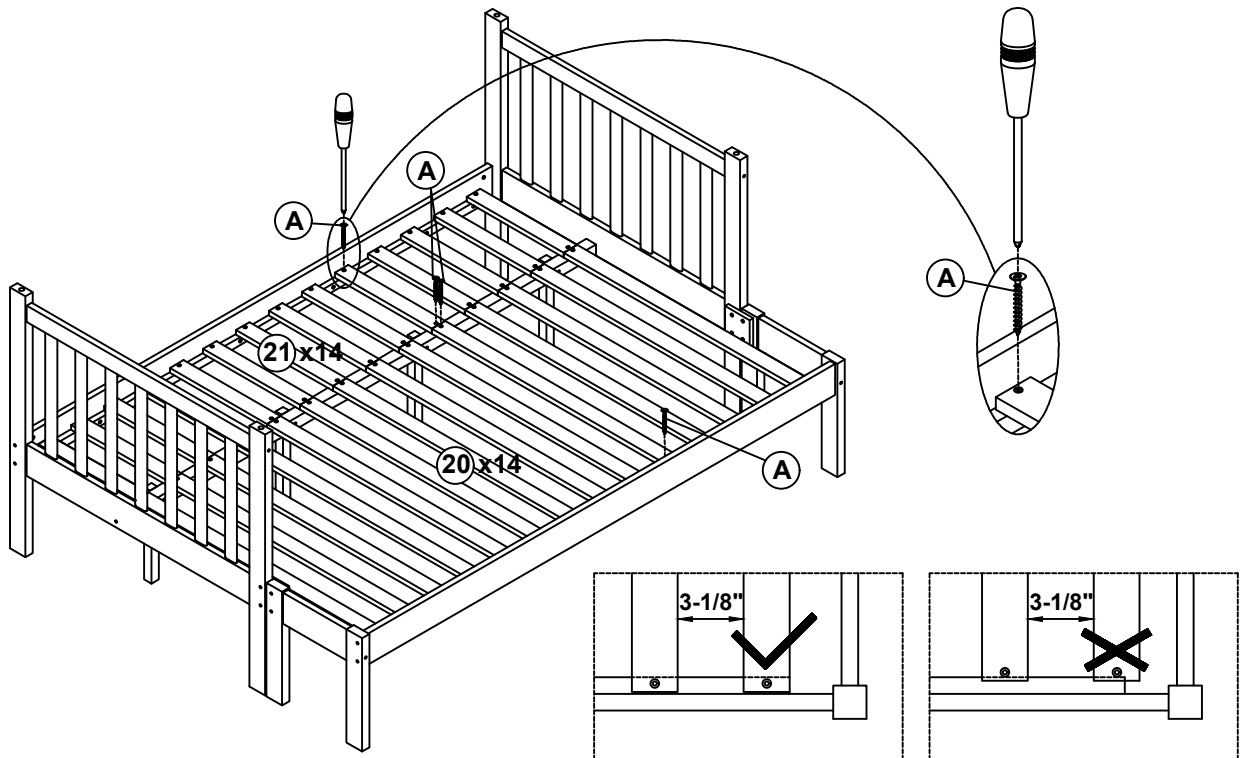
Step 13



V	4x58		1PC
I	1/4x60		4PCS

Step 14

First attach 2pcs part 20 & 21 to the front and end of the frame between headboard. Then attach the remaining part 20 & 21 equidistantly between headboard

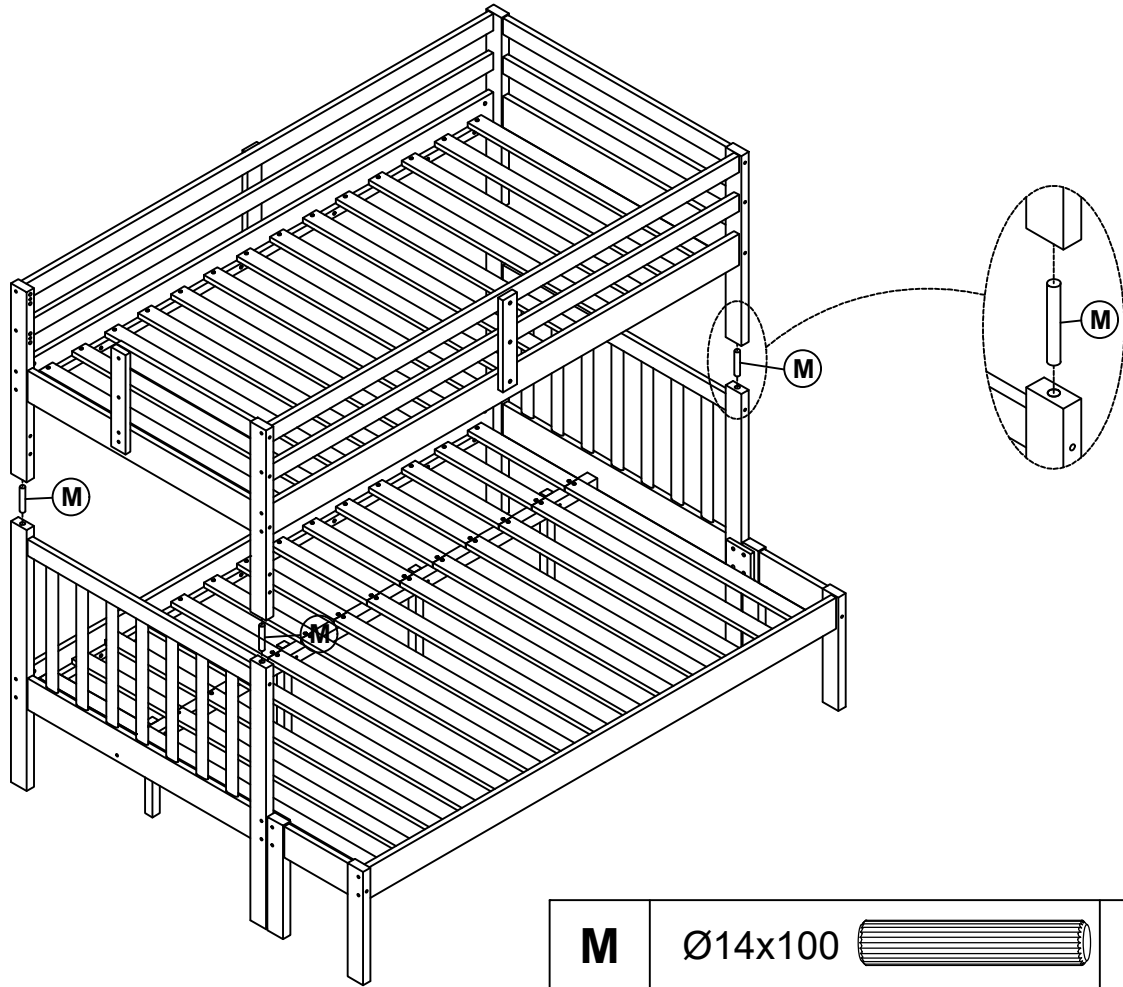


Note : Do not lock the screws of the bed slats to the outermost edge of the bed slats, you need to leave a certain space at the edges, otherwise it will cause the board to break

A	Ø4x30		56PCS
----------	-------	--	-------

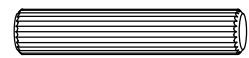
ASSEMBLY INSTRUCTIONS

Step 15



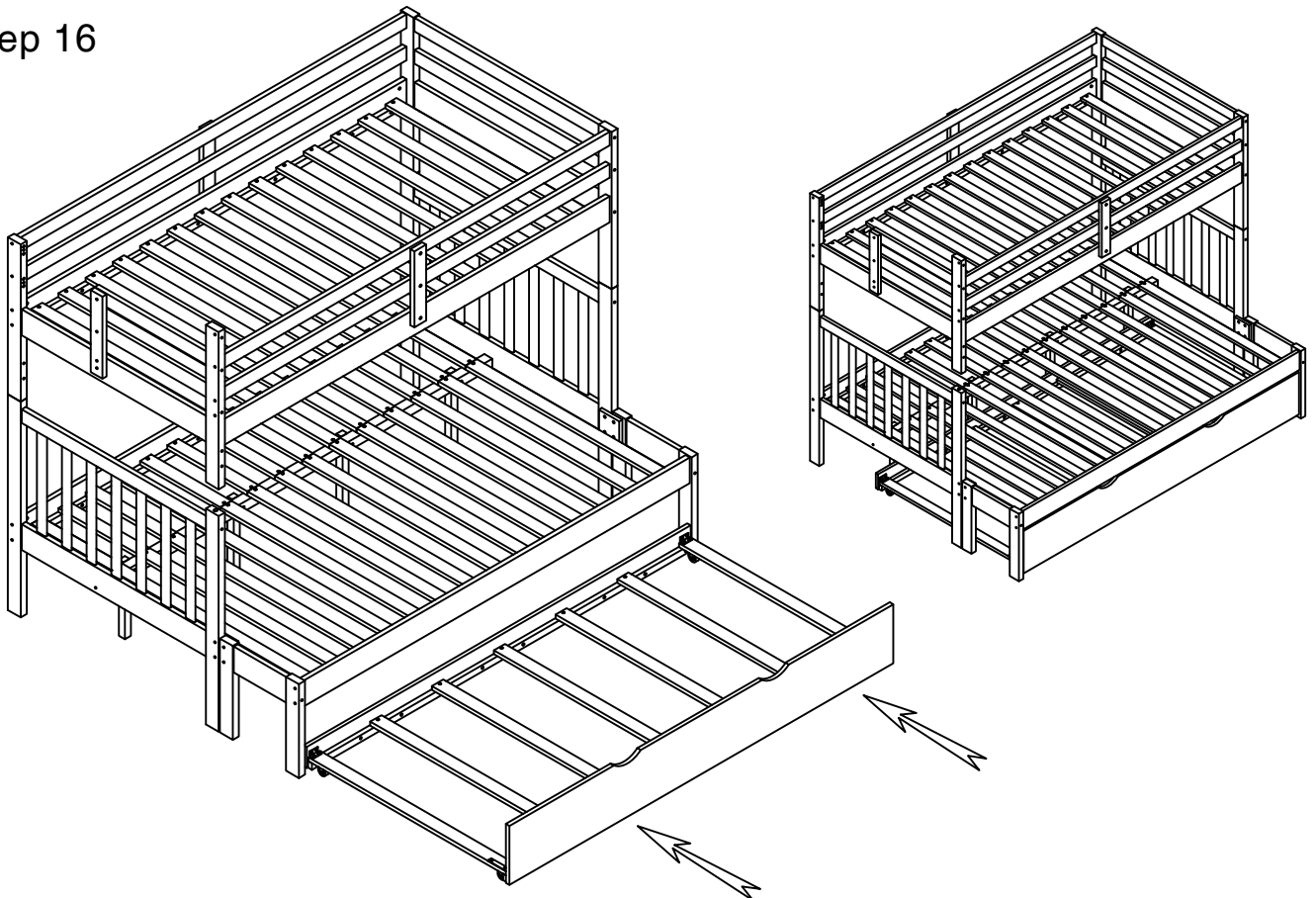
M

Ø14x100



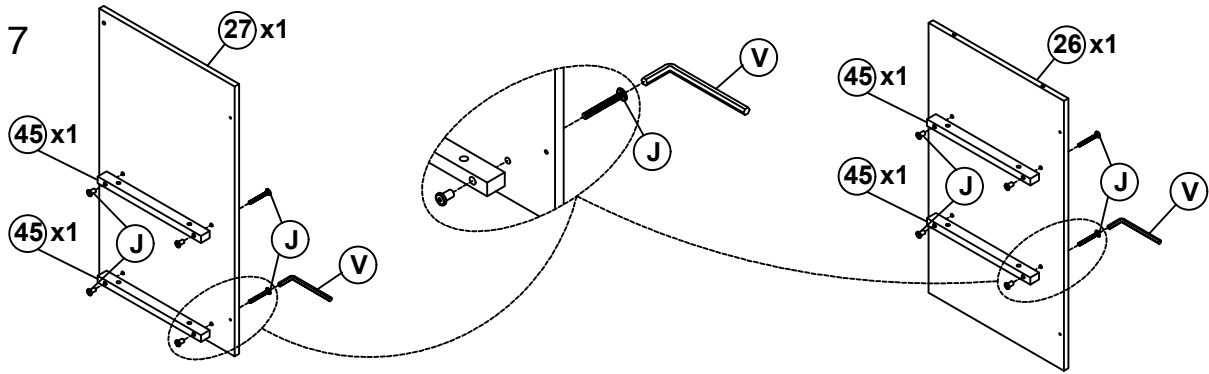
4PCS

Step 16



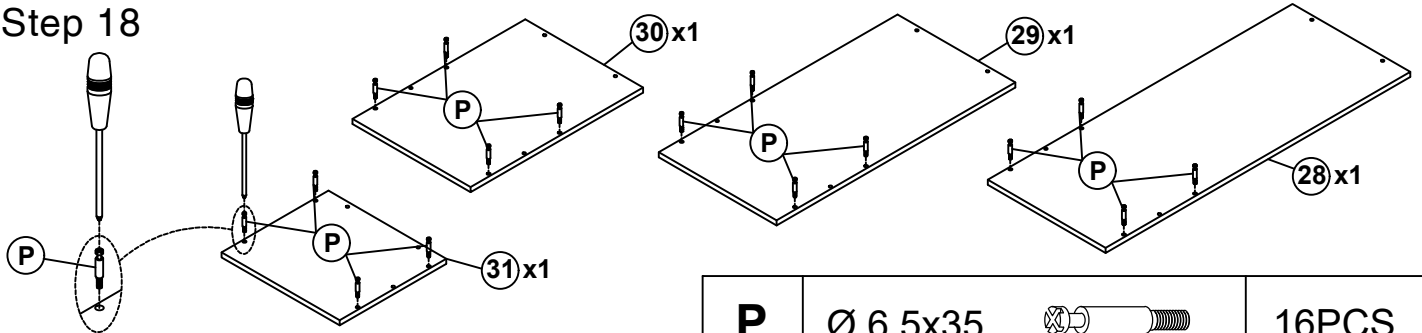
ASSEMBLY INSTRUCTIONS

Step 17



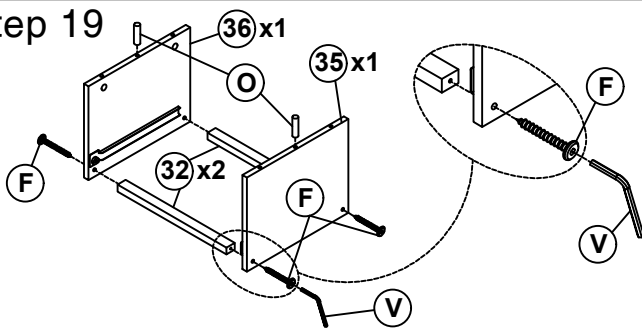
V	4x58		1PC	J	1/4x40		8PCS
----------	------	--	-----	----------	--------	--	------

Step 18



P	Ø 6.5x35		16PCS
----------	----------	--	-------

Step 19

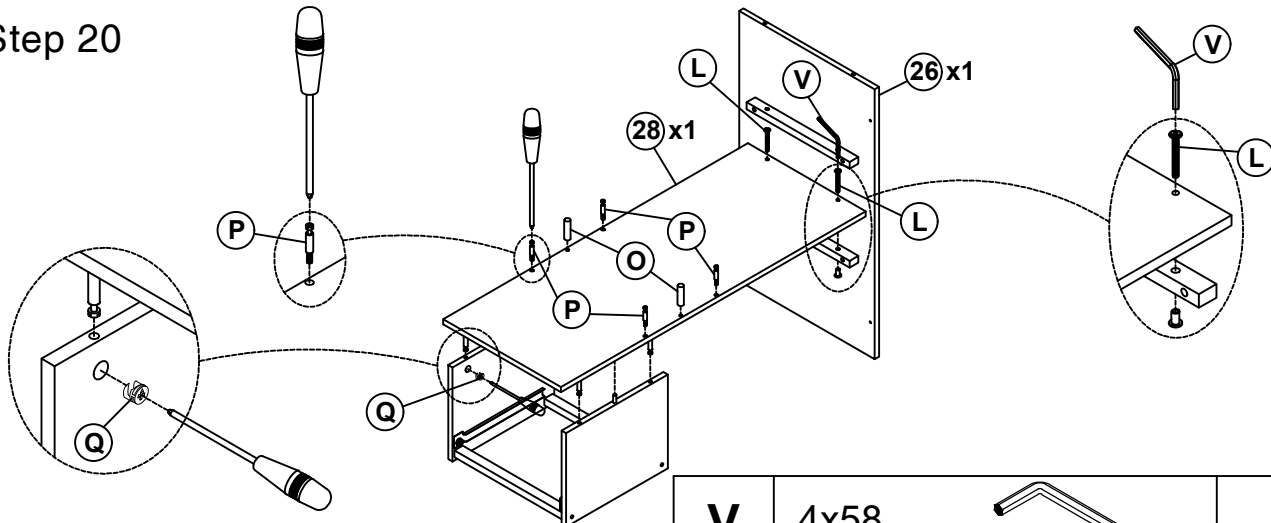


V	4x58		1PC
----------	------	--	-----

O	Ø8x30		2PCS
----------	-------	--	------

F	6.5x50		4PCS
----------	--------	--	------

Step 20



V	4x58		1PC
----------	------	--	-----

O	Ø8x30		2PCS
----------	-------	--	------

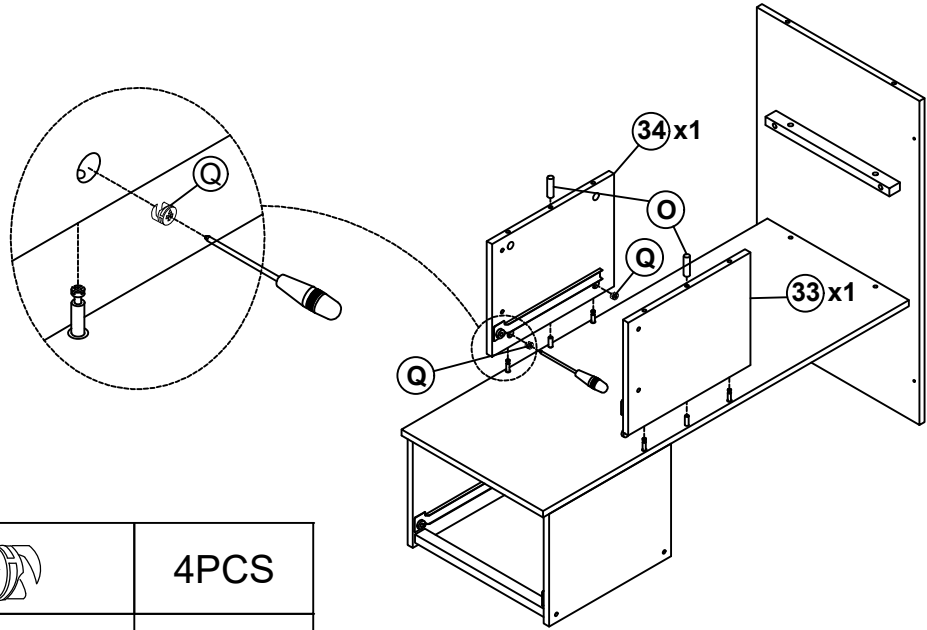
L	1/4x30		2PCS
----------	--------	--	------



P	Ø 6.5x35		4PCS
----------	----------	--	------

Q	Ø15x12		4PCS
----------	--------	--	------

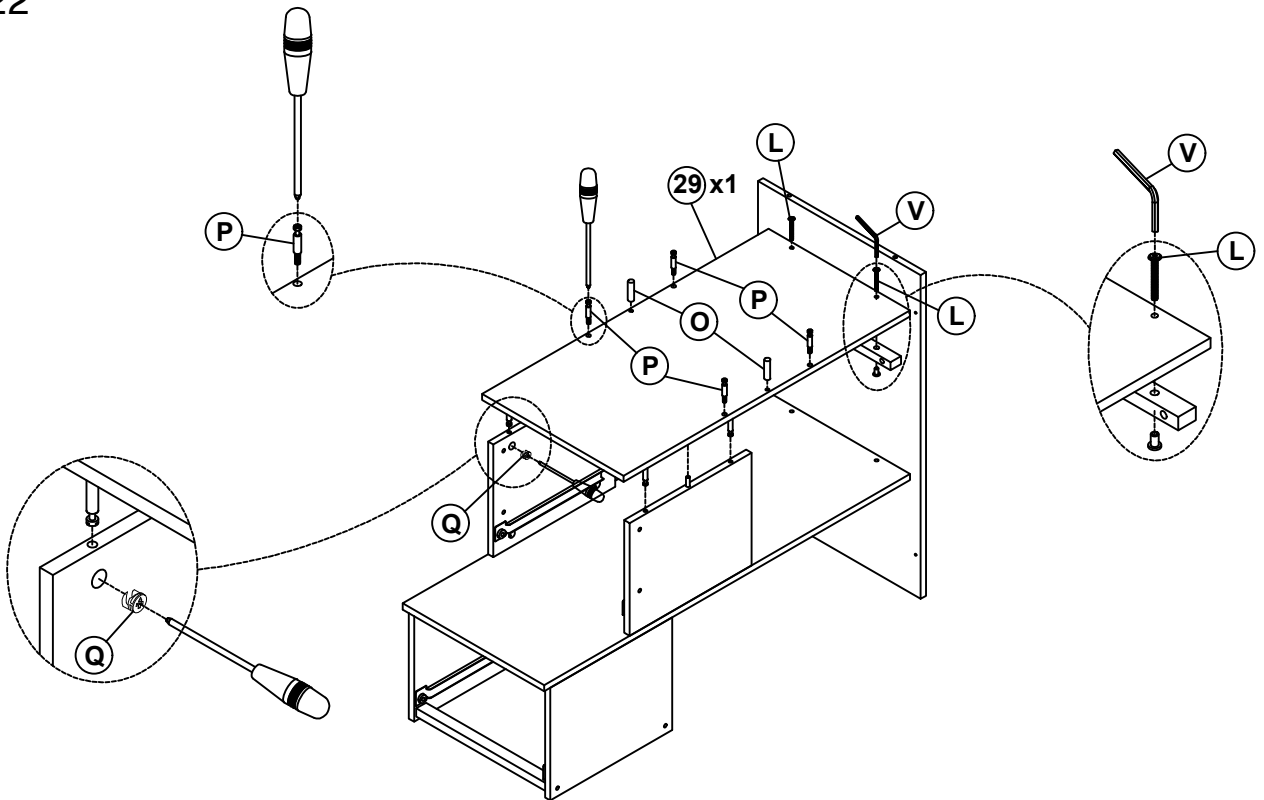
ASSEMBLY INSTRUCTIONS






Step 21



Q	Ø15x12		4PCS
O	Ø8x30		2PCS

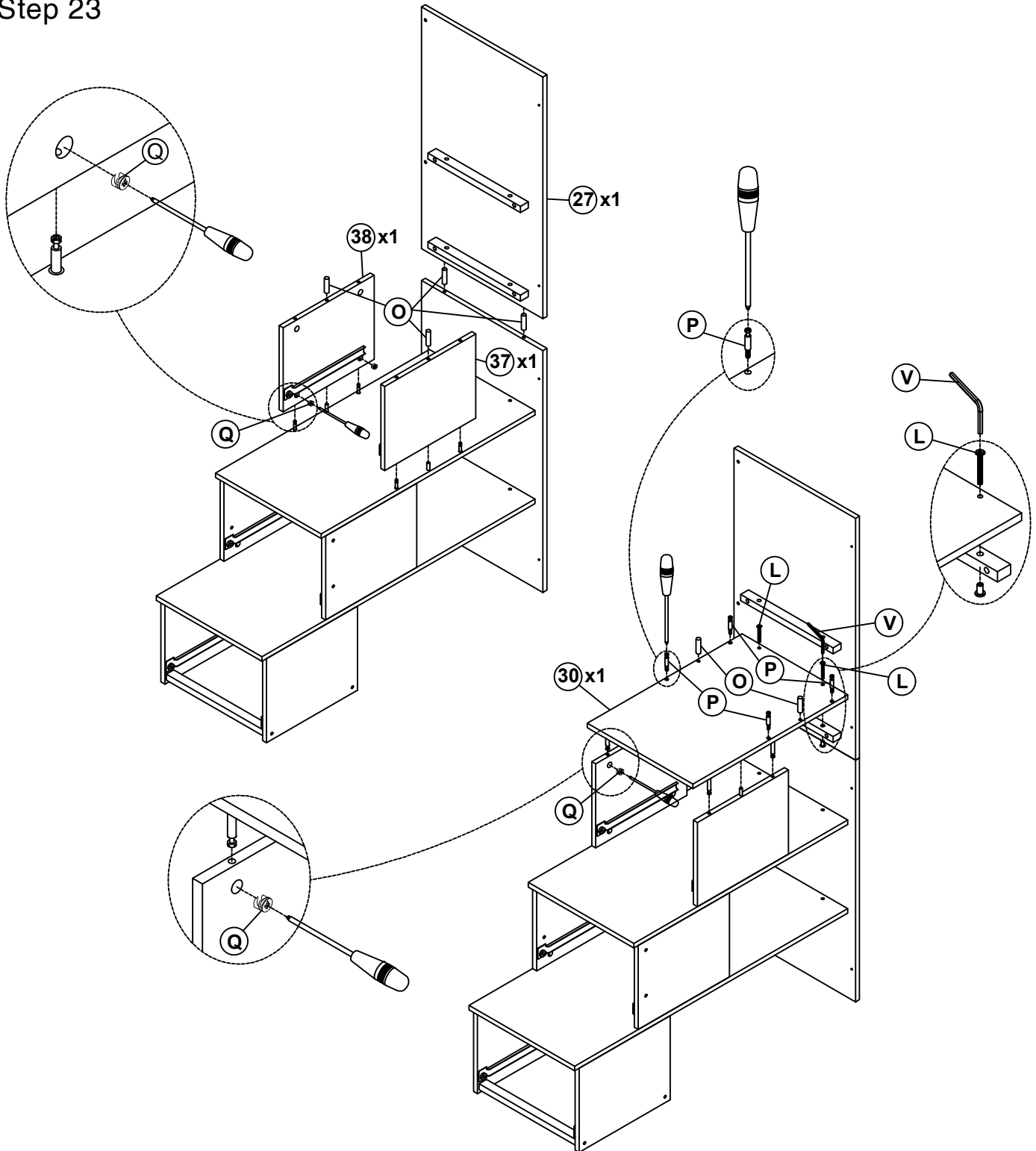
Step 22


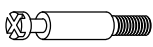





V	4x58		1PC
P	Ø 6.5x35		4PCS
L	1/4x30		2PCS
Q	Ø15x12		4PCS
O	Ø8x30		2PCS

ASSEMBLY INSTRUCTIONS

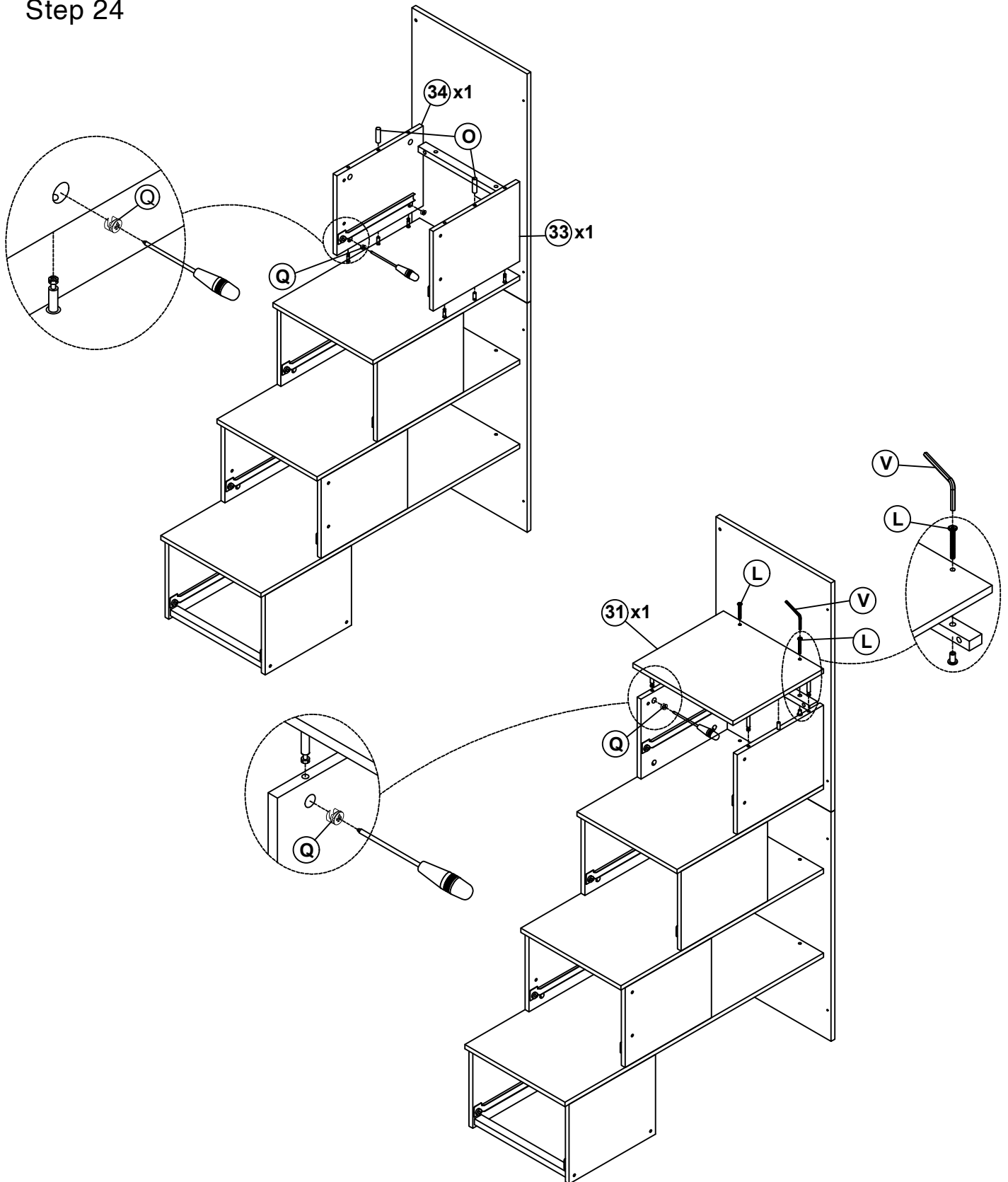
Step 23







V	4x58		1PC				
P	Ø 6.5x35		4PCS	Q	Ø15x12		8PCS
L	1/4x30		2PCS	O	Ø8x30		6PCS

ASSEMBLY INSTRUCTIONS

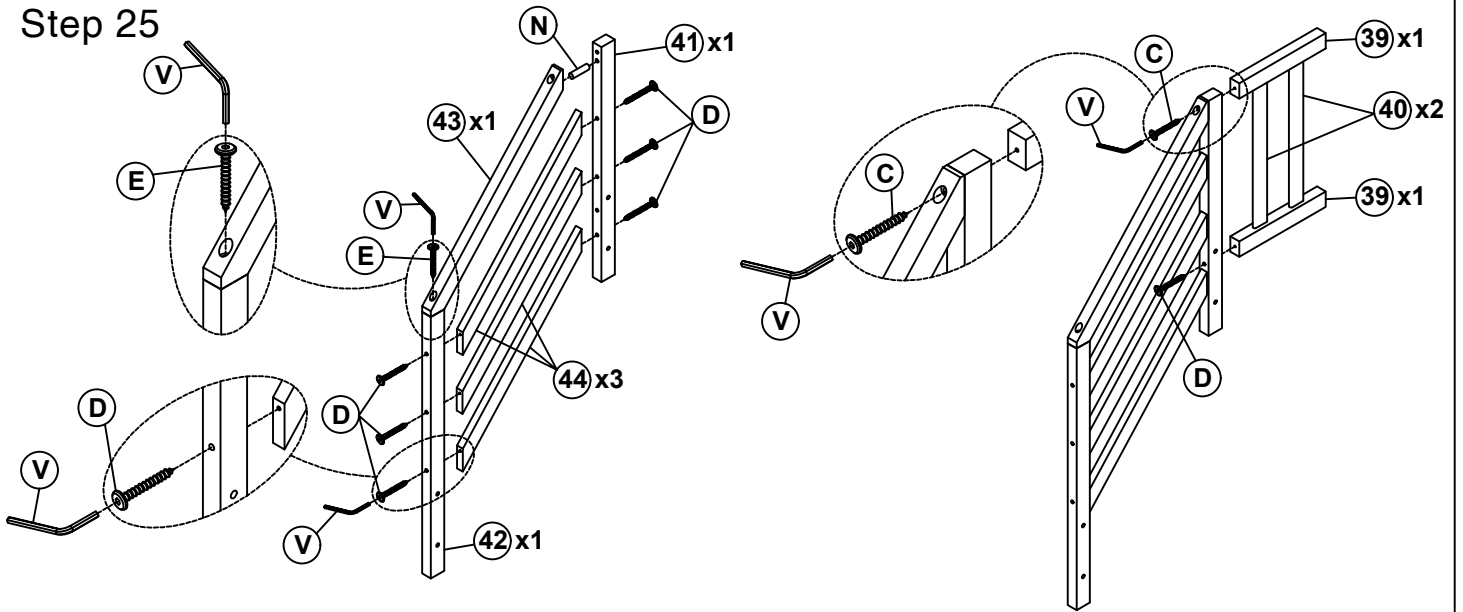
Step 24








V	4x58		1PC	Q	Ø15x12		8PCS
L	1/4x30		2PCS	O	Ø8x30		2PCS

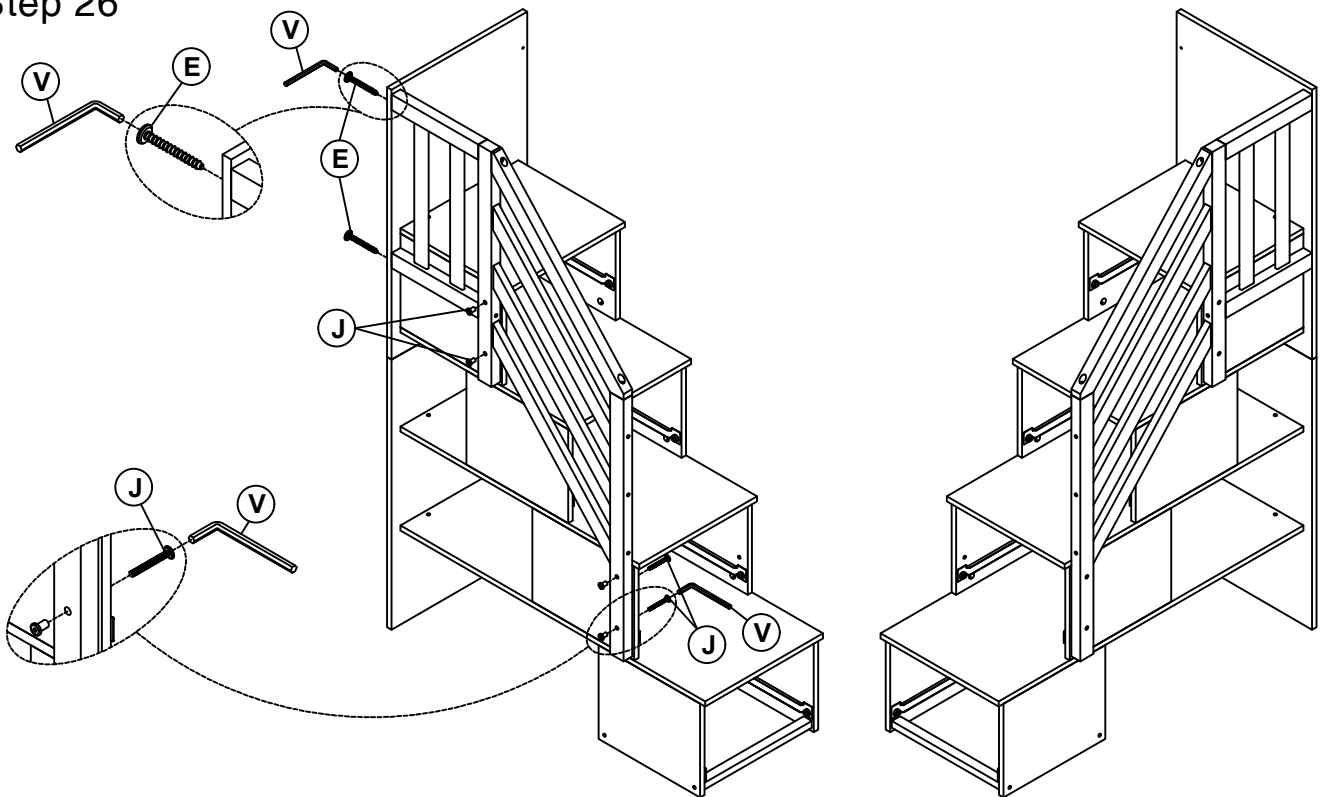
ASSEMBLY INSTRUCTIONS




Step 25



N	Ø10x40		1PC				
C	6.5x110		1PC	E	6.5x60		1PC
D	6.5x80		7PCS	V	4x58		1PC

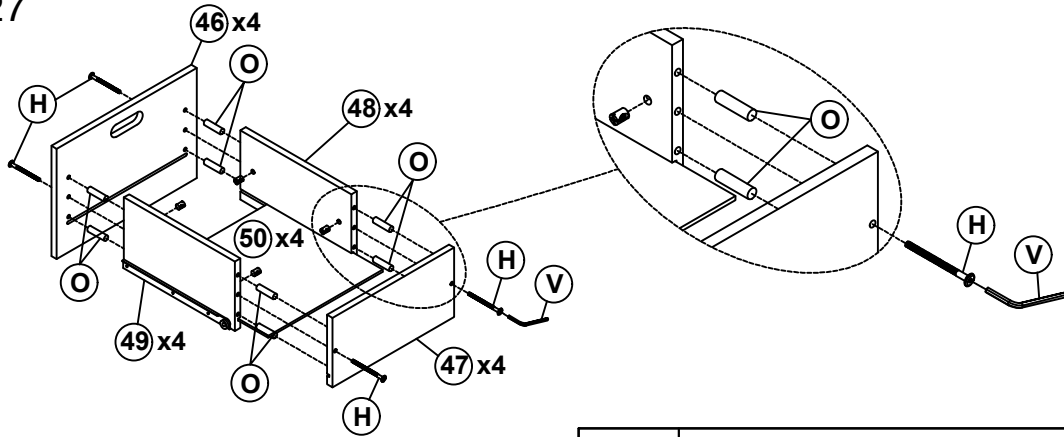
Step 26







E	6.5x60		2PCS	V	4x58		1PC
J	1/4x40		4PCS				

ASSEMBLY INSTRUCTIONS

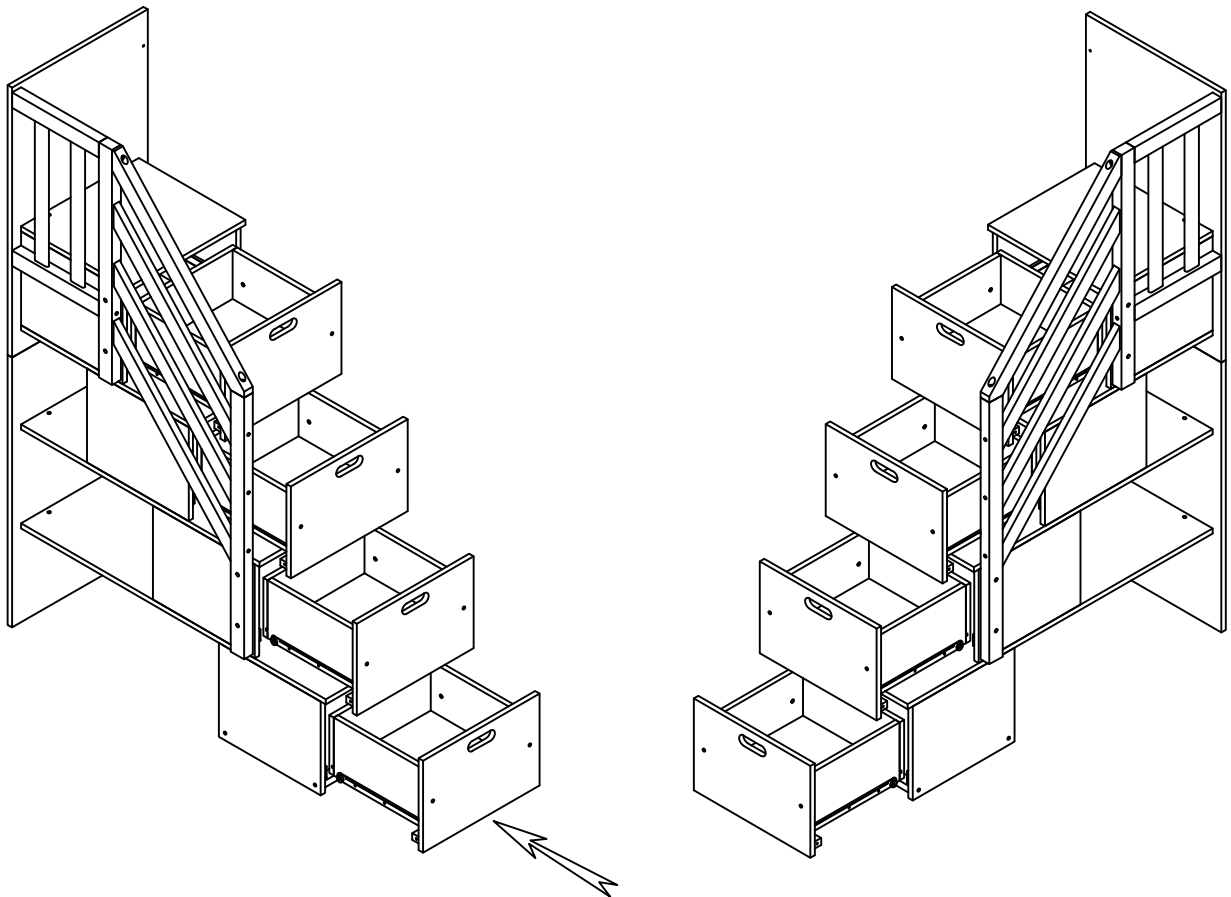
Step 27



V	4x58		1PC
H	1/4x60	 	16PCS

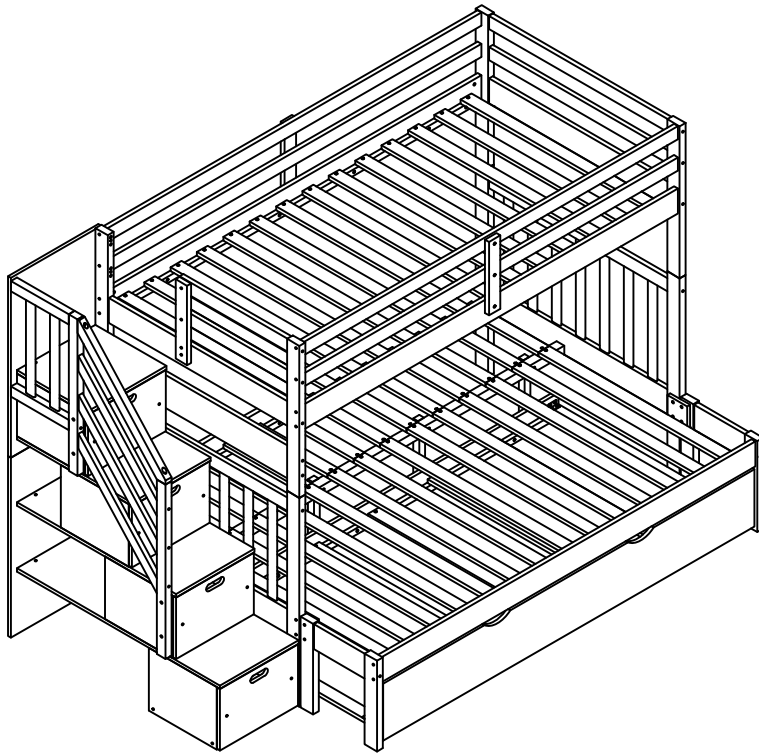
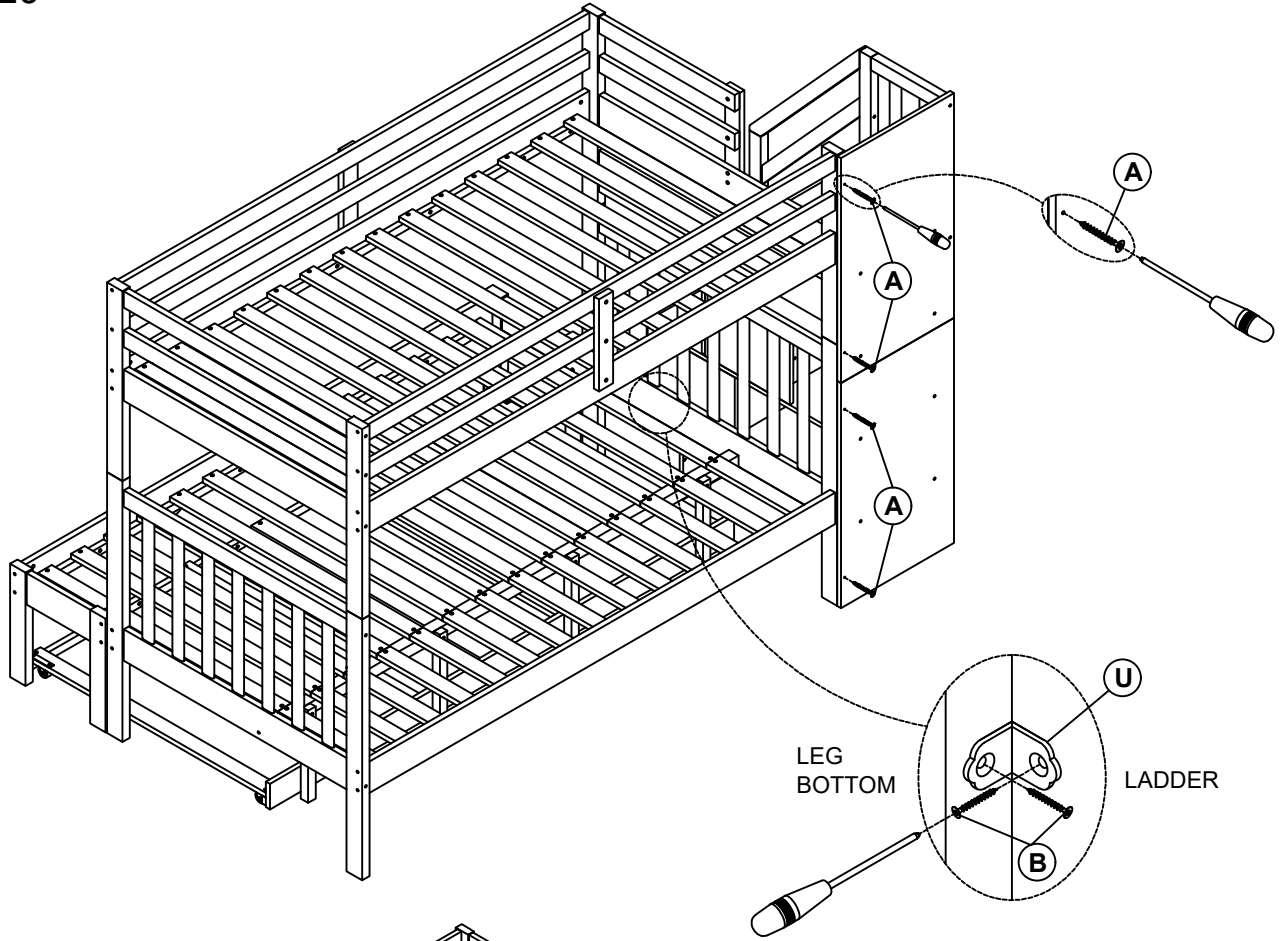
O	Ø8x30		32PCS
----------	-------	---	-------




Step 28



ASSEMBLY INSTRUCTIONS

Step 29



				U	15x15x2		1PC
A	Ø4x30		4PCS	B	Ø4x15		2PCS