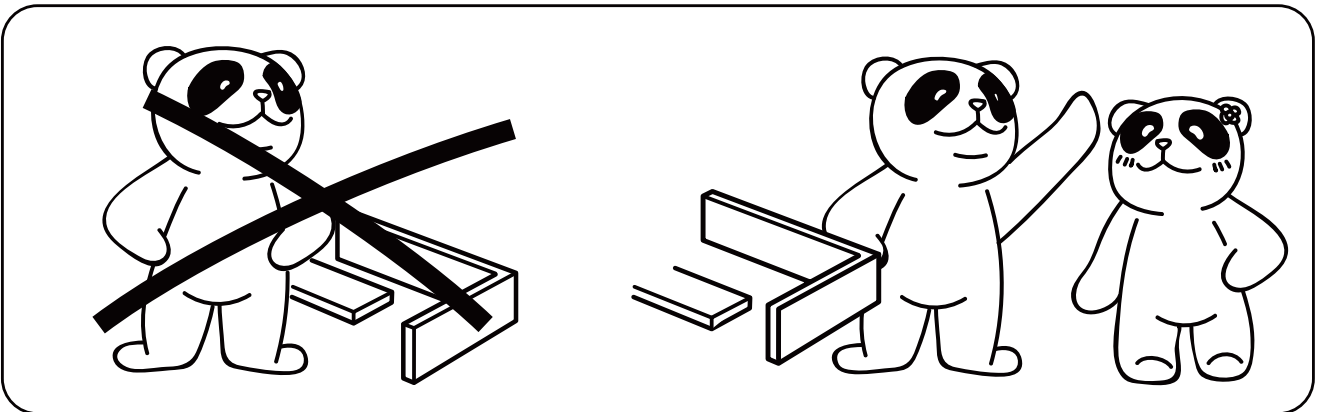
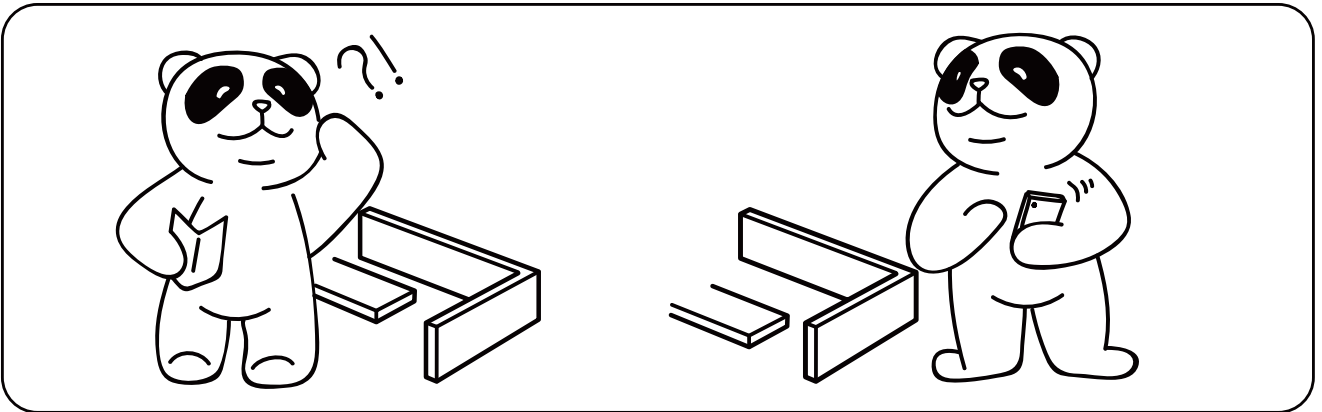
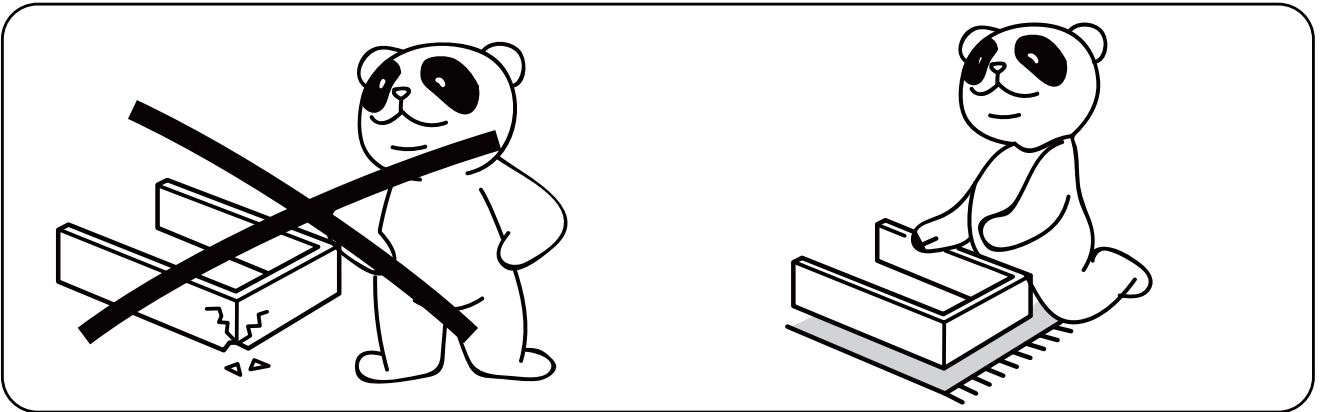
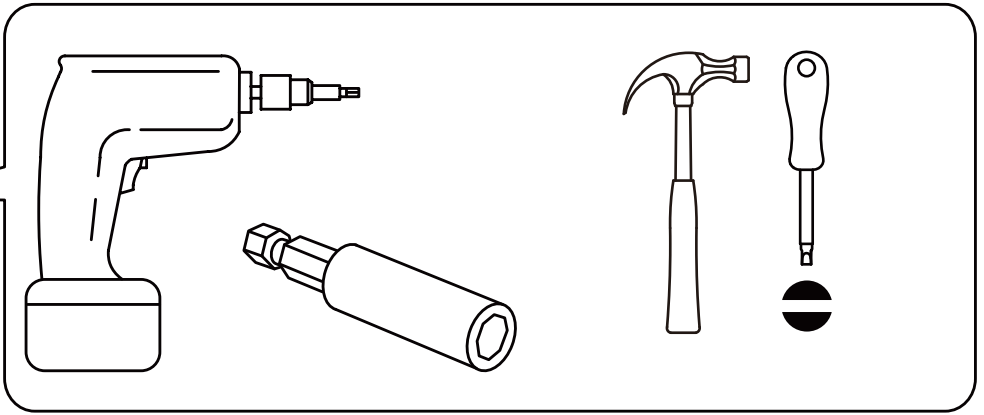


DJ502512

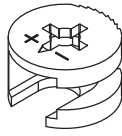




A

x24(+2)

Ø6x35mm



B

x24(+2)

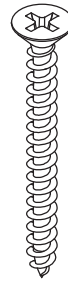
Ø15x10mm



C

x22(+2)

Ø6x30mm



D

x30(+2)

Ø4x35mm



E

x36(+3)

Ø3.5x10mm



F

x2

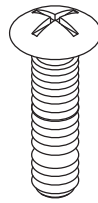
Ø3.5x12mm



G

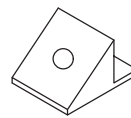
x8

Ø3x16mm



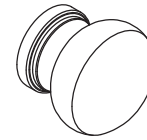
H

x3



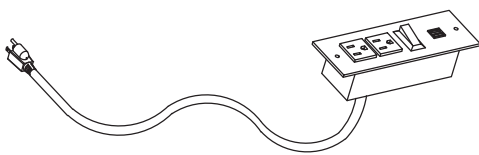
I

x8



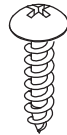
J

x3



K

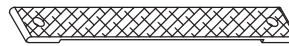
x1



L

x2

Ø4x12mm



M

x2



N

x2

Ø6x30mm



O

x12

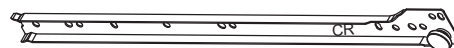
Ø15mm



CL

x3

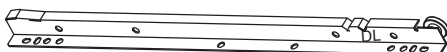
L300mm



CR

x3

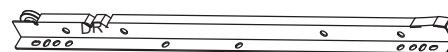
L300mm



DL

x3

L300mm

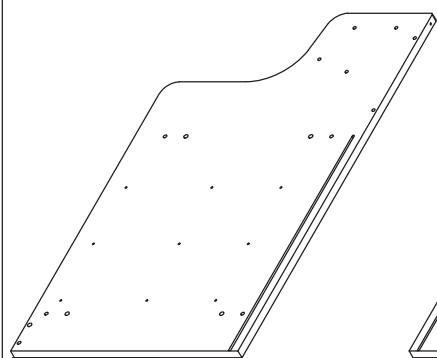


DR

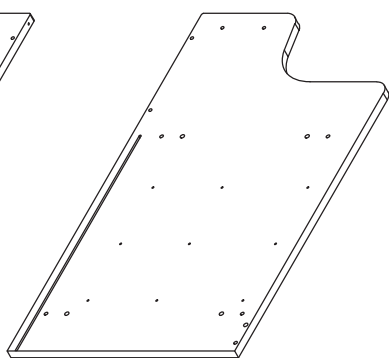
x3

L300mm

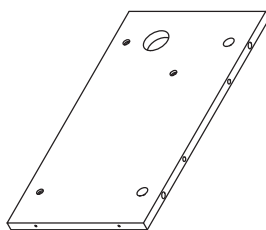
Mounting frame



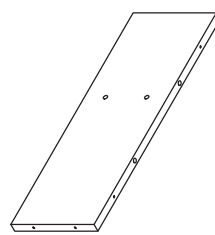
1
x1



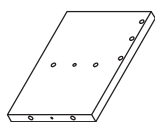
2
x1



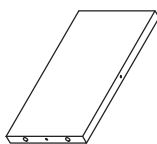
3
x1



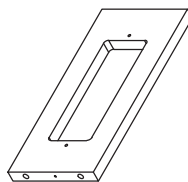
4
x1



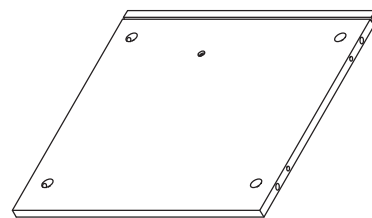
5
x1



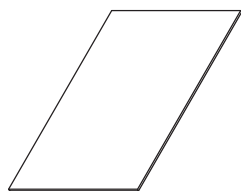
6
x1



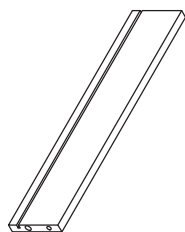
7
x1



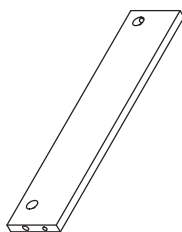
8
x1



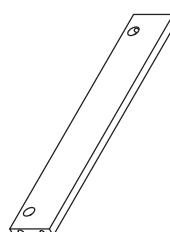
9
x2



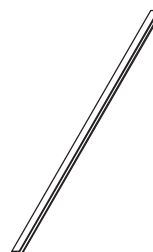
10
x1



11
x1

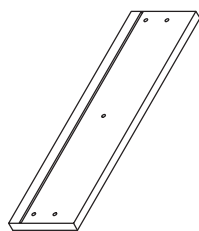


12
x1

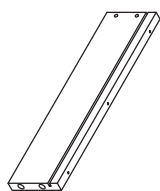


18
x1

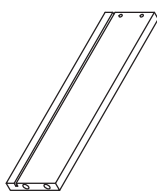
Drawer



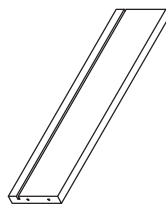
13
x3



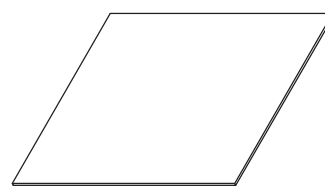
14
x3



15
x3



16
x3

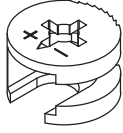


17
x3

Mounting frame



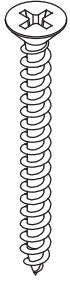
A
x12



B
x12



C
x22



D
x16



E
x18



F
x2



K
x1



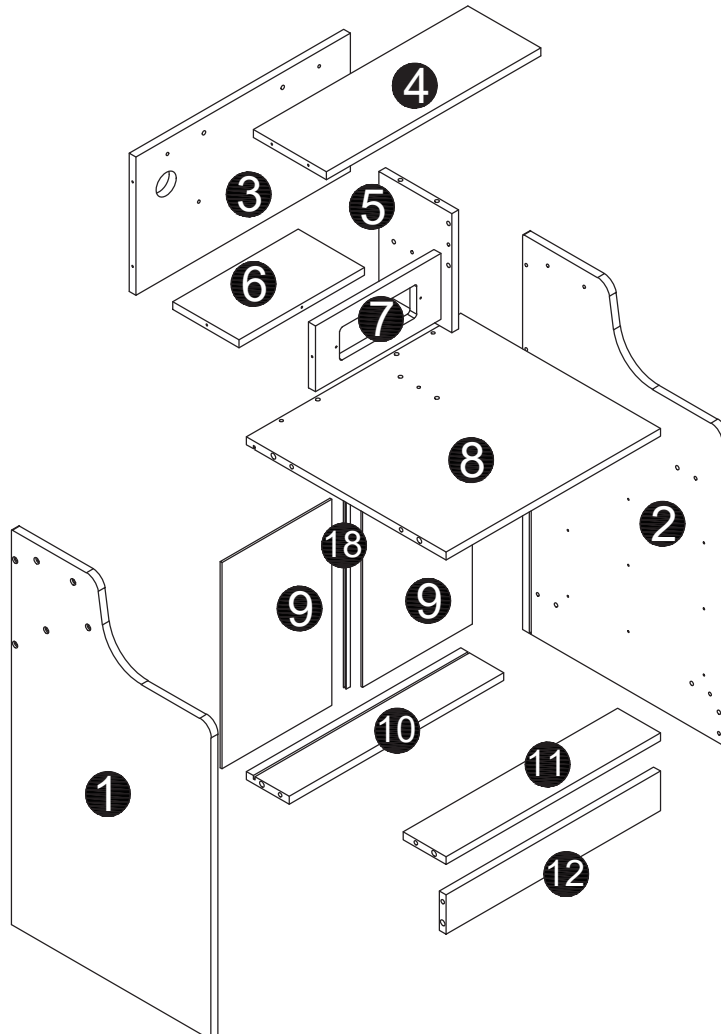
O
x12



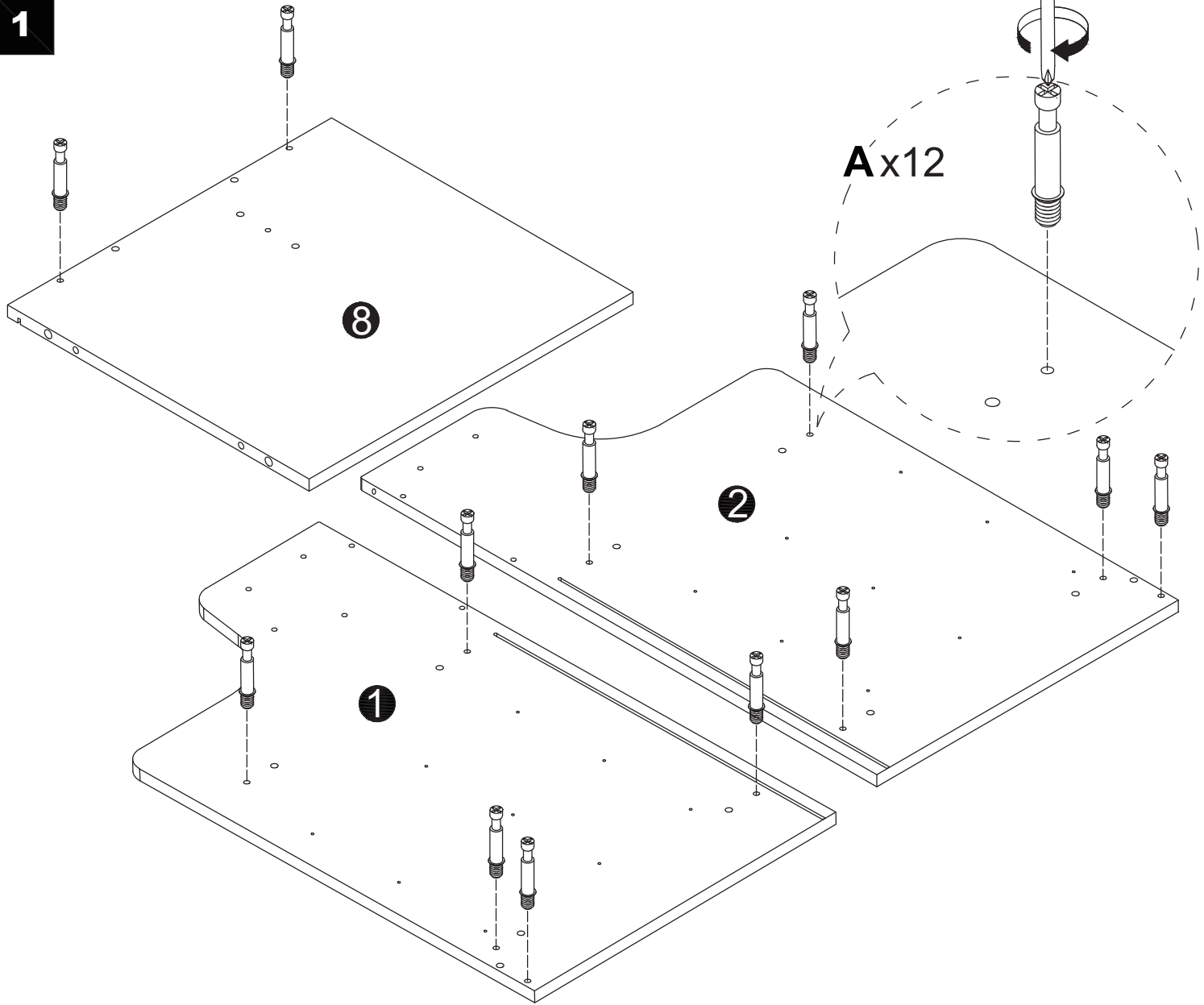
CL
x3



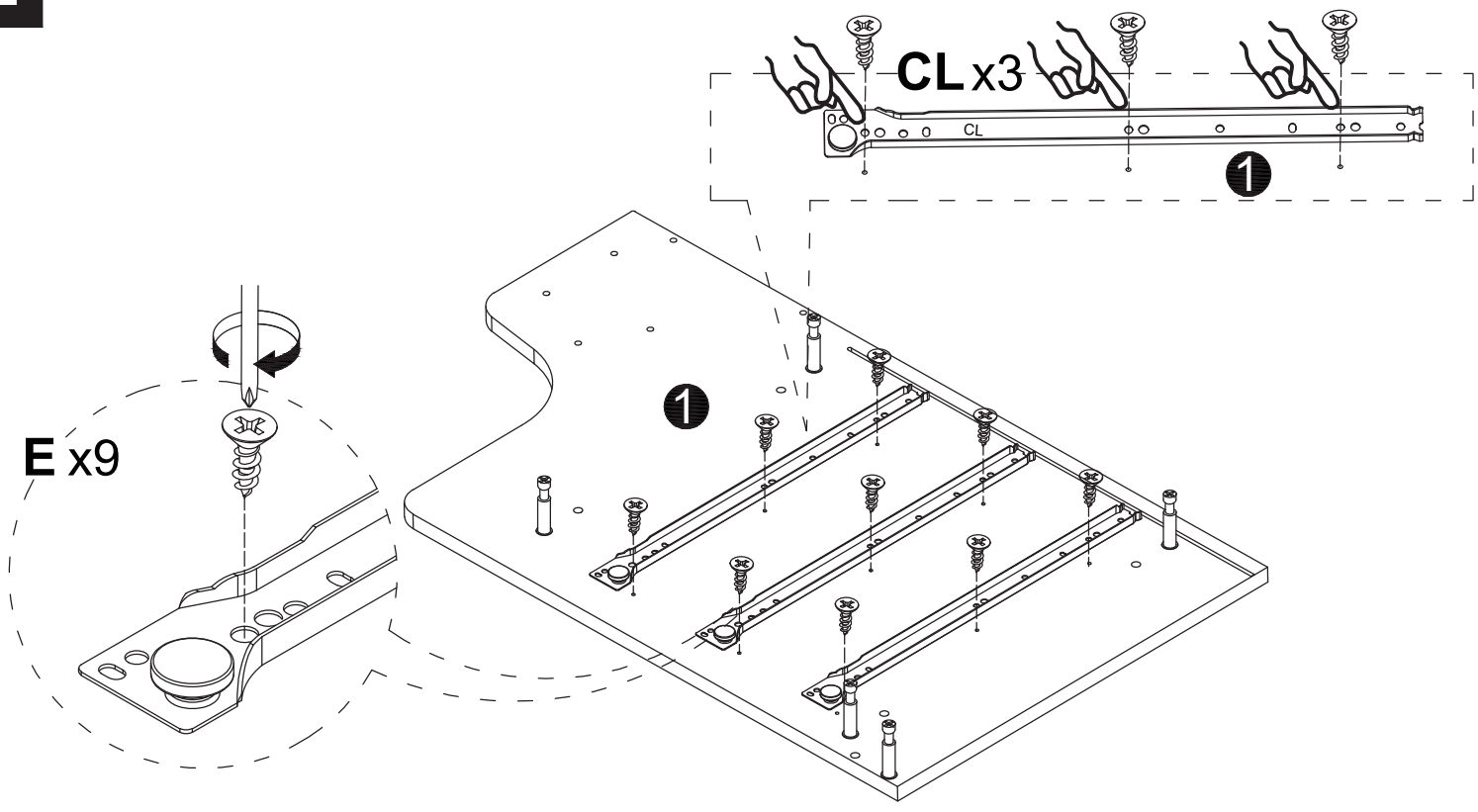
CR
x3

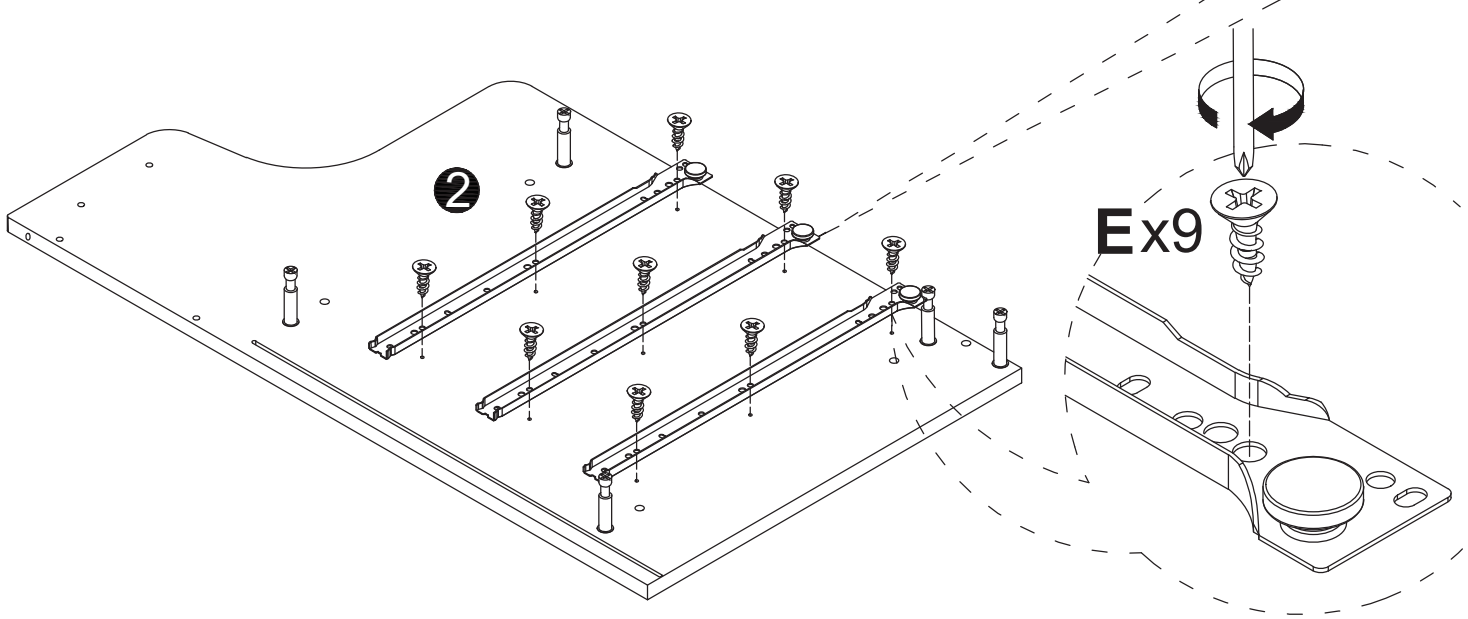
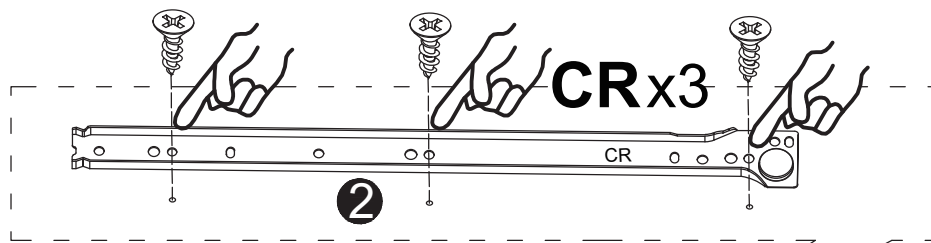
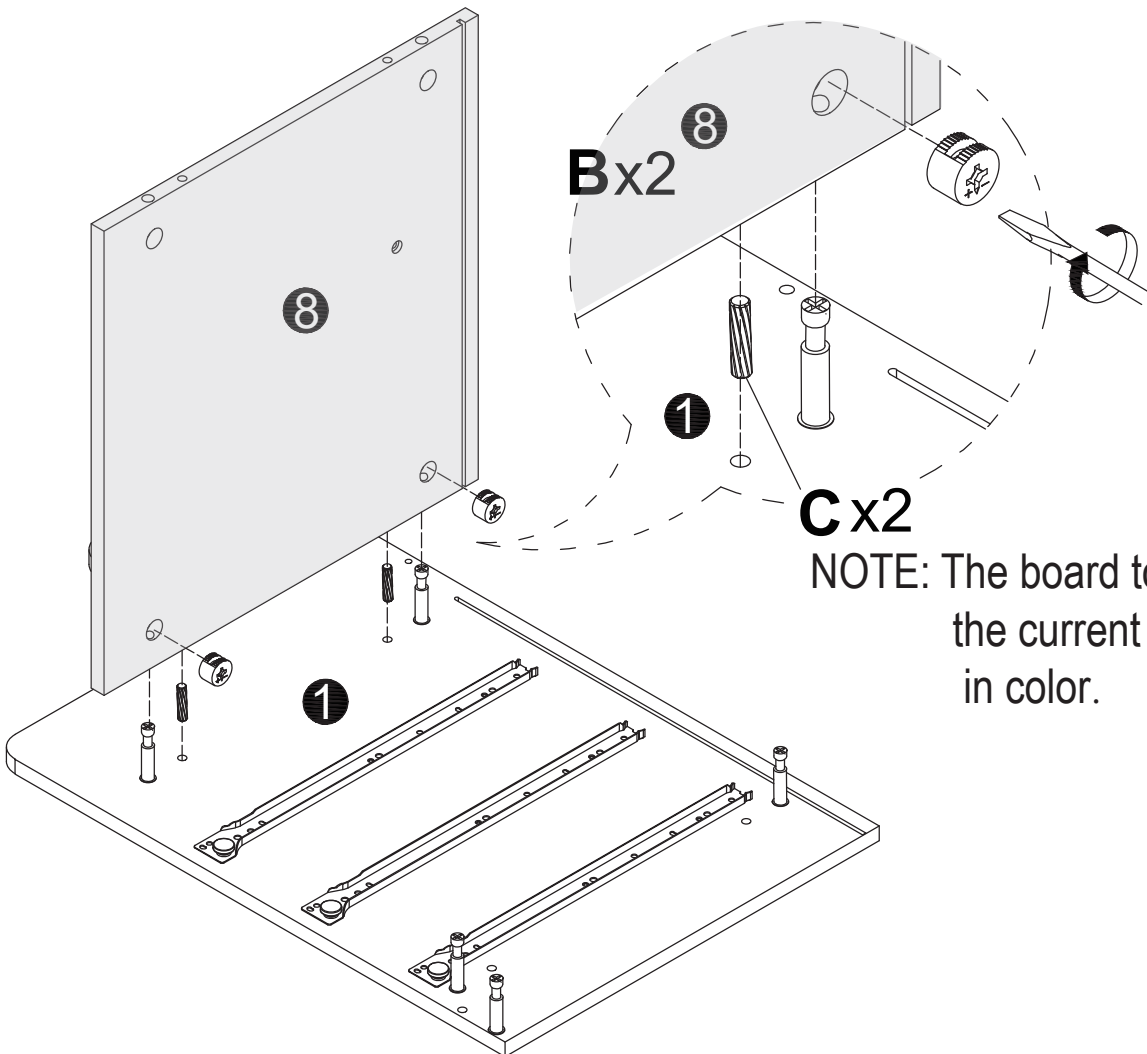


1



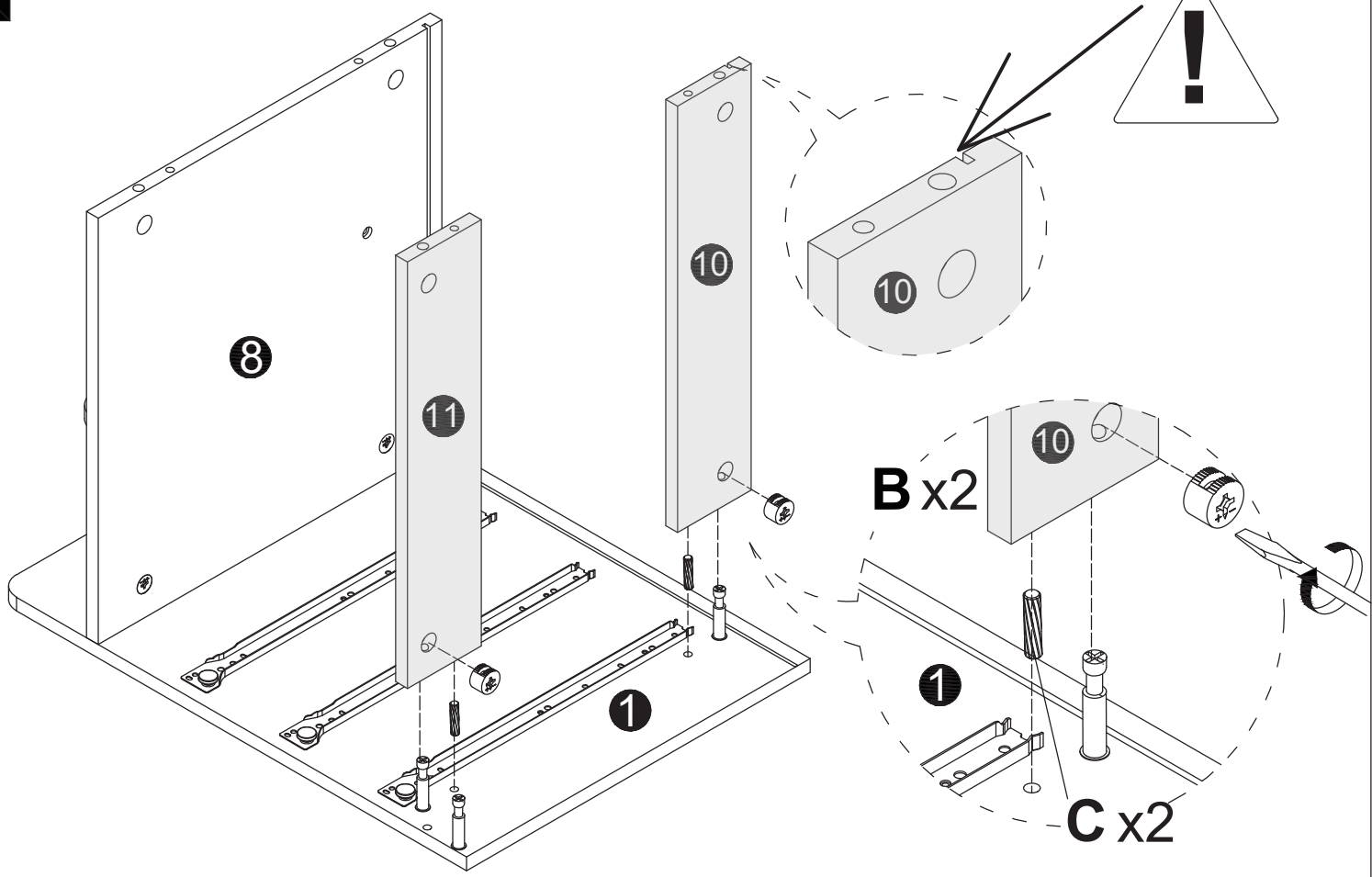
2



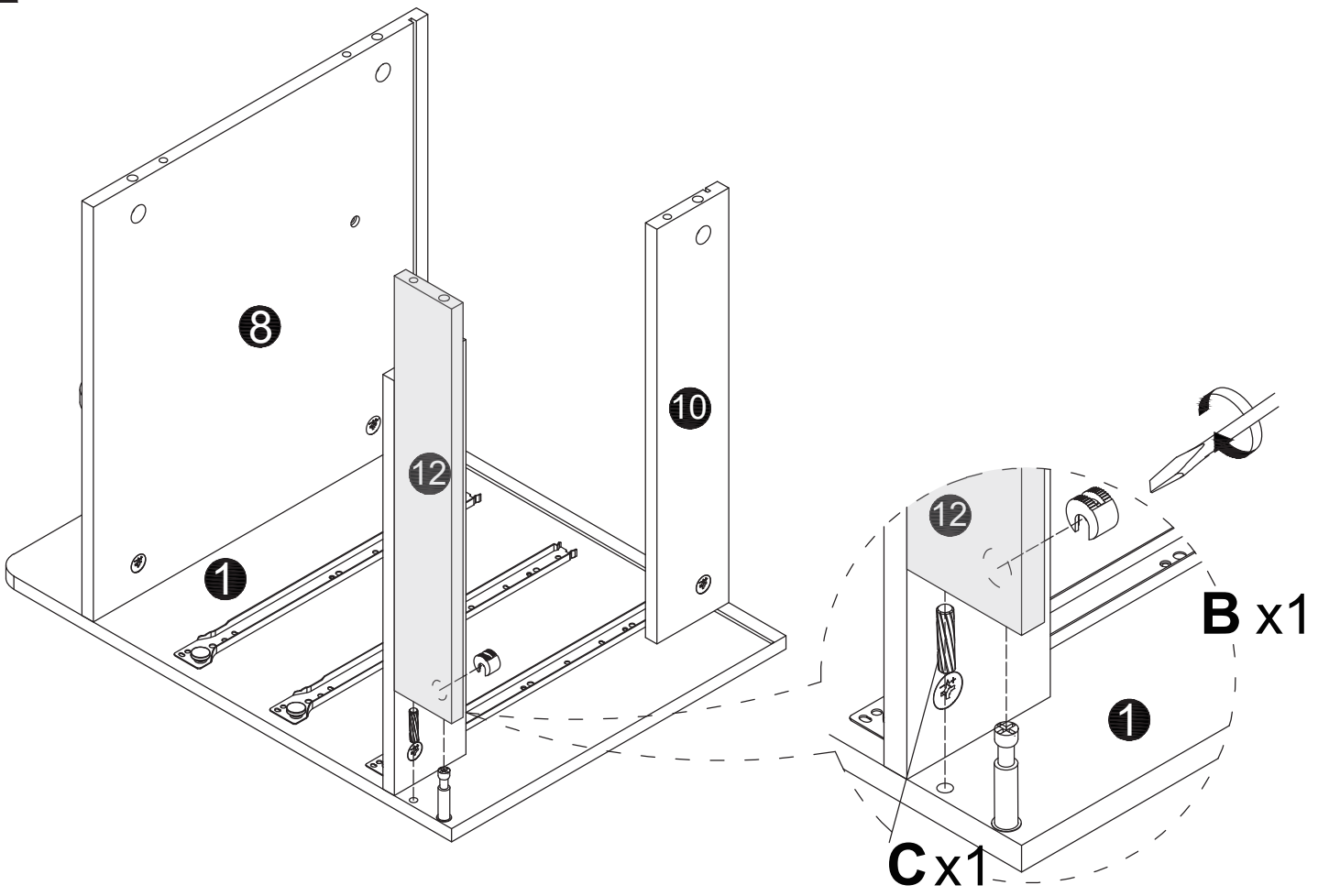
3**4****Cx2**

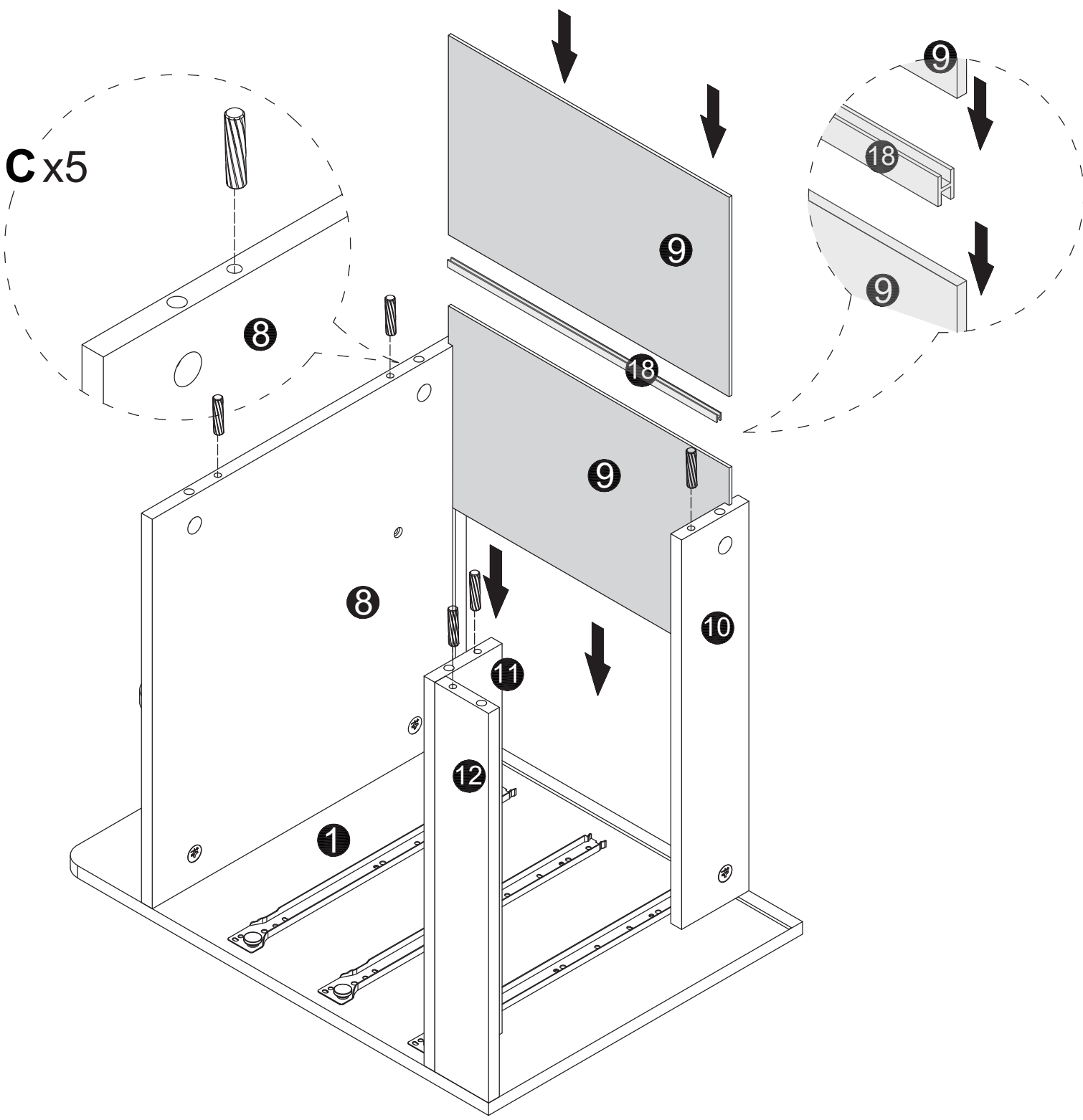
NOTE: The board to be installed in the current step is darkened in color.

5

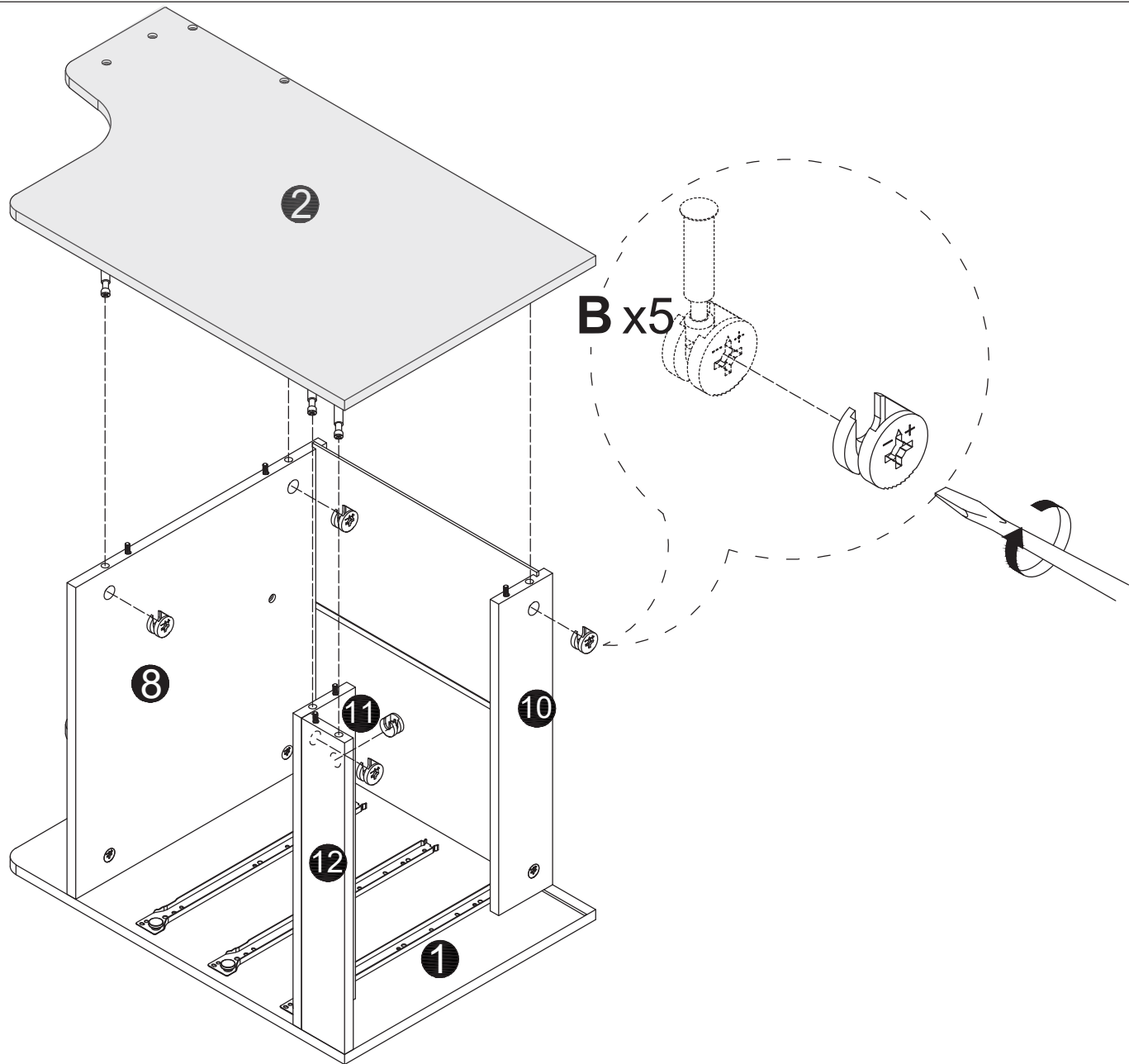


6

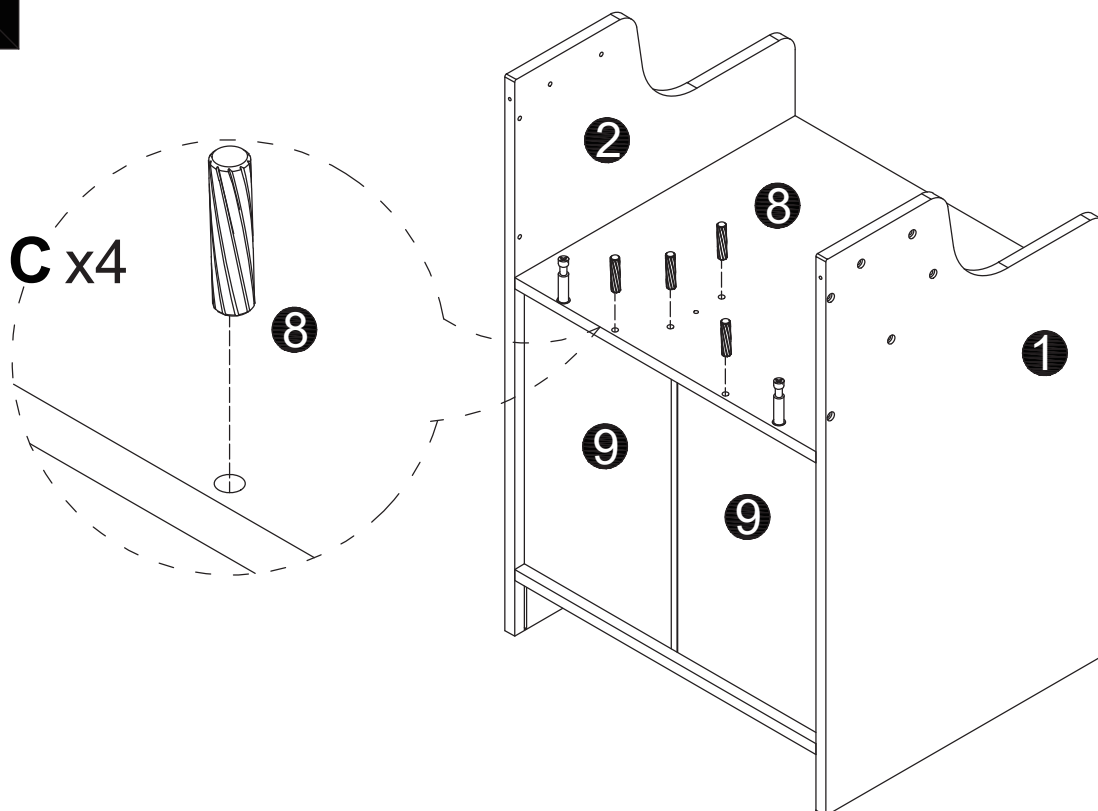




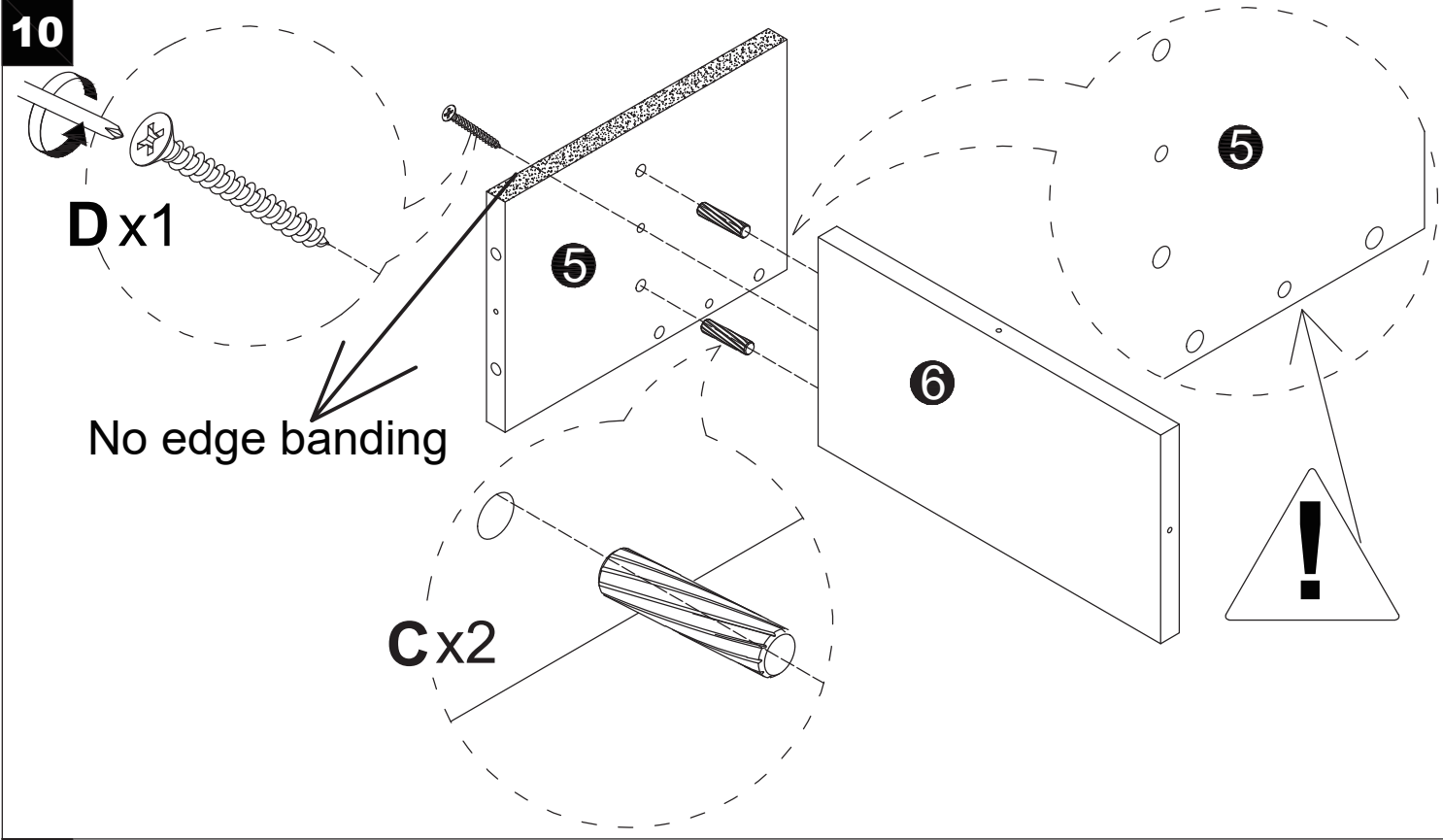
8



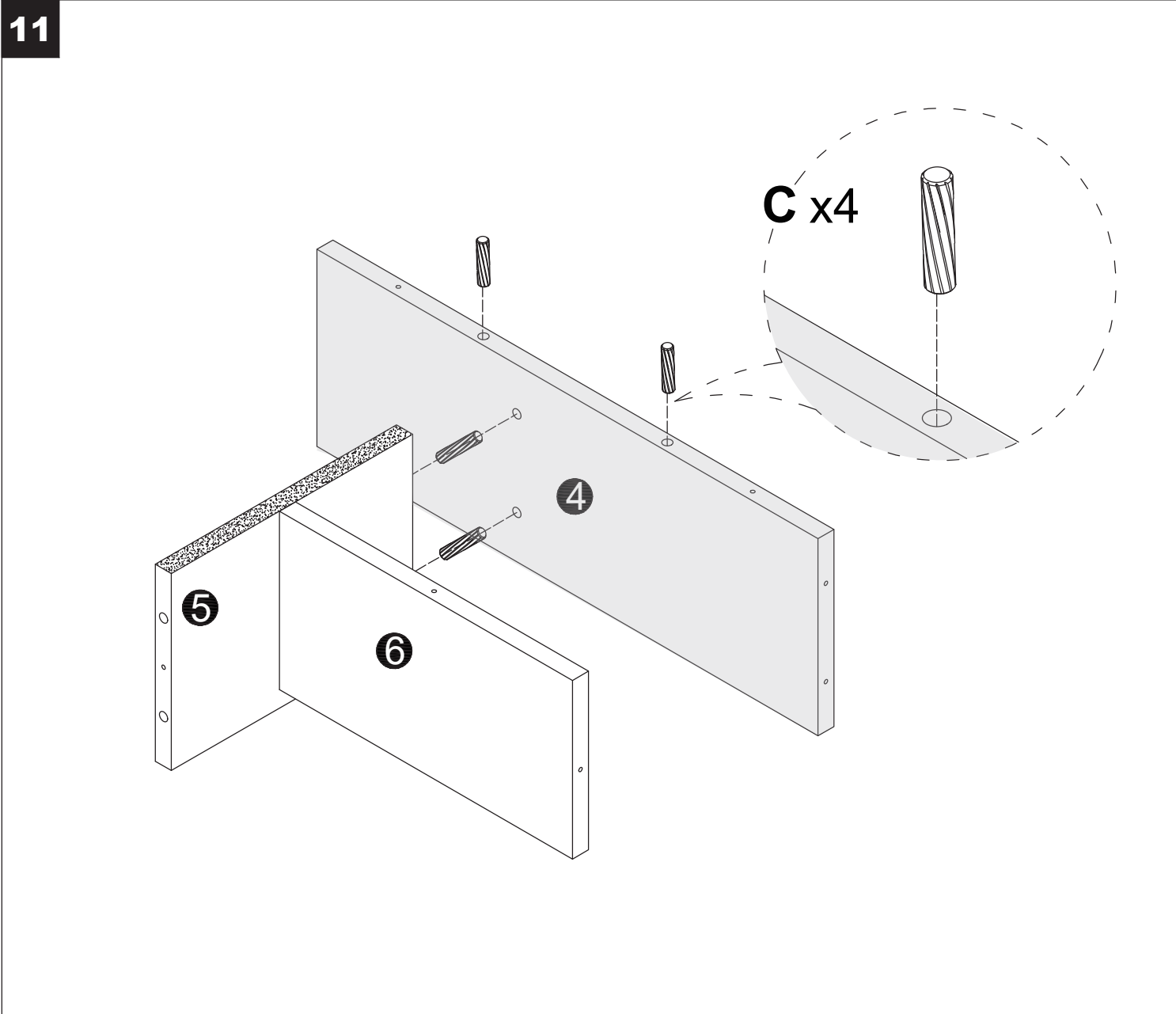
9



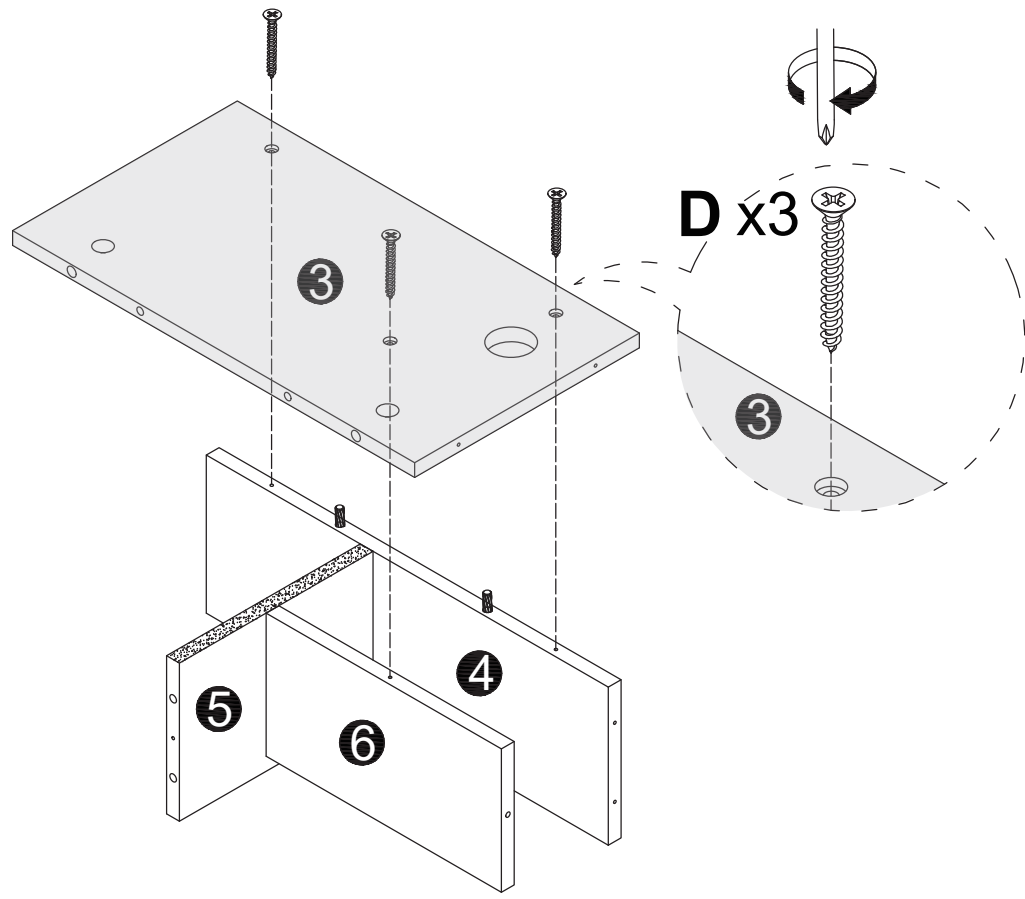
10



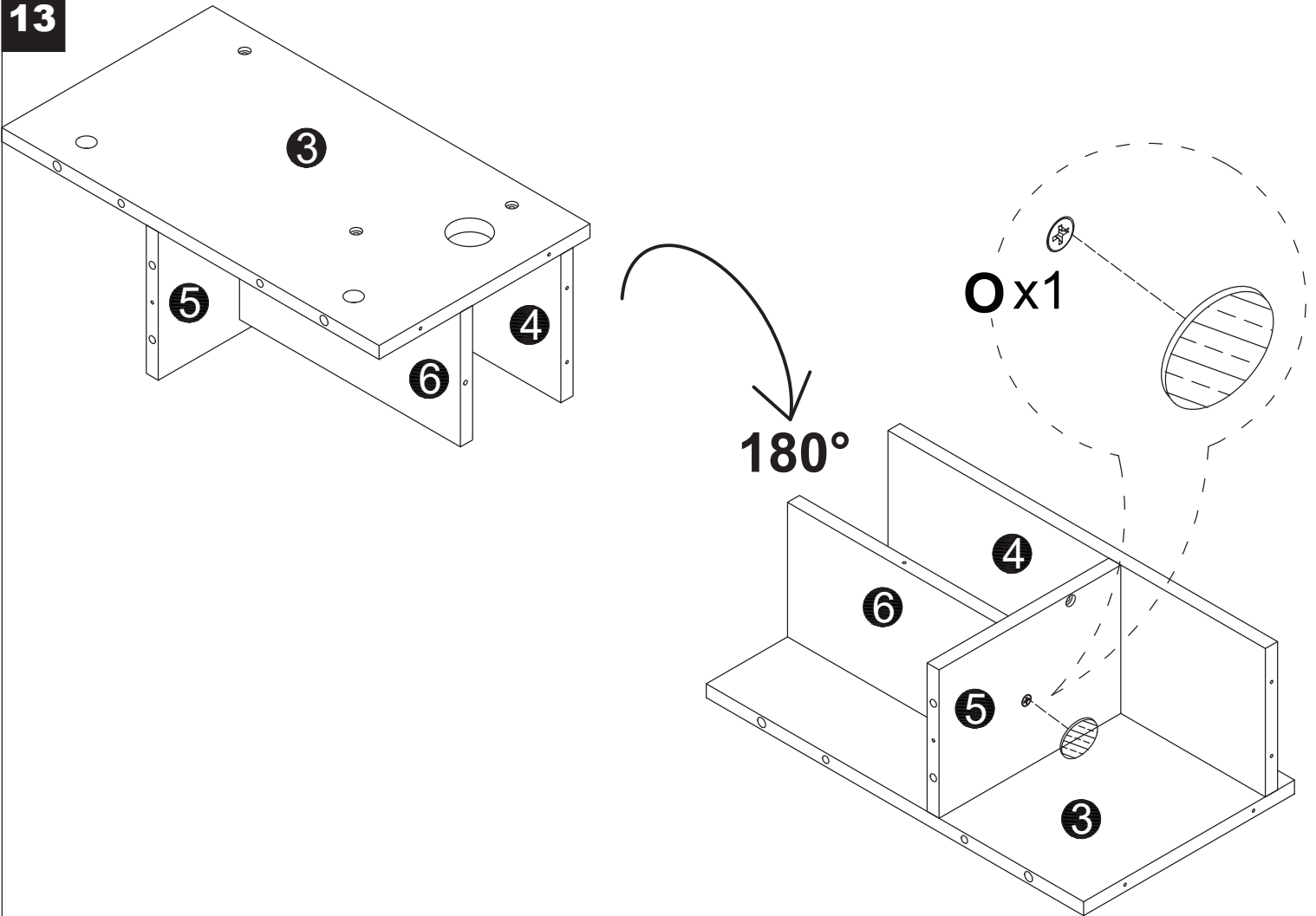
11



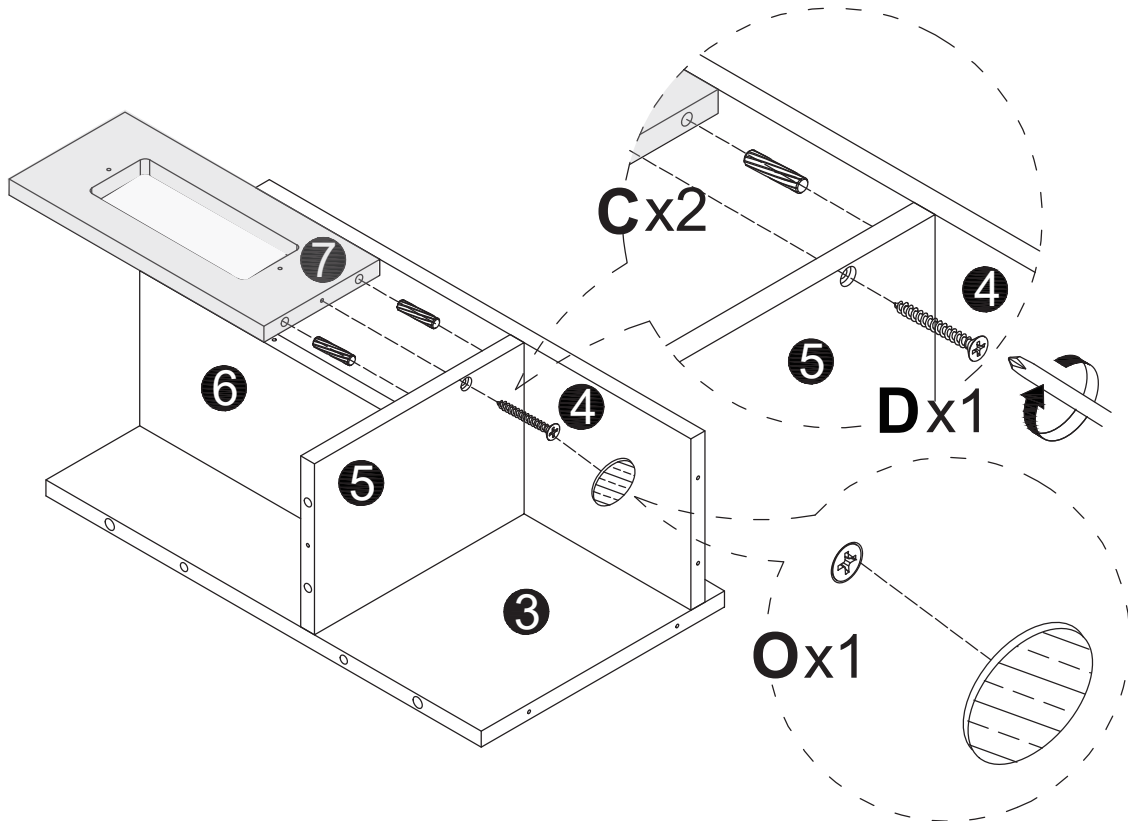
12



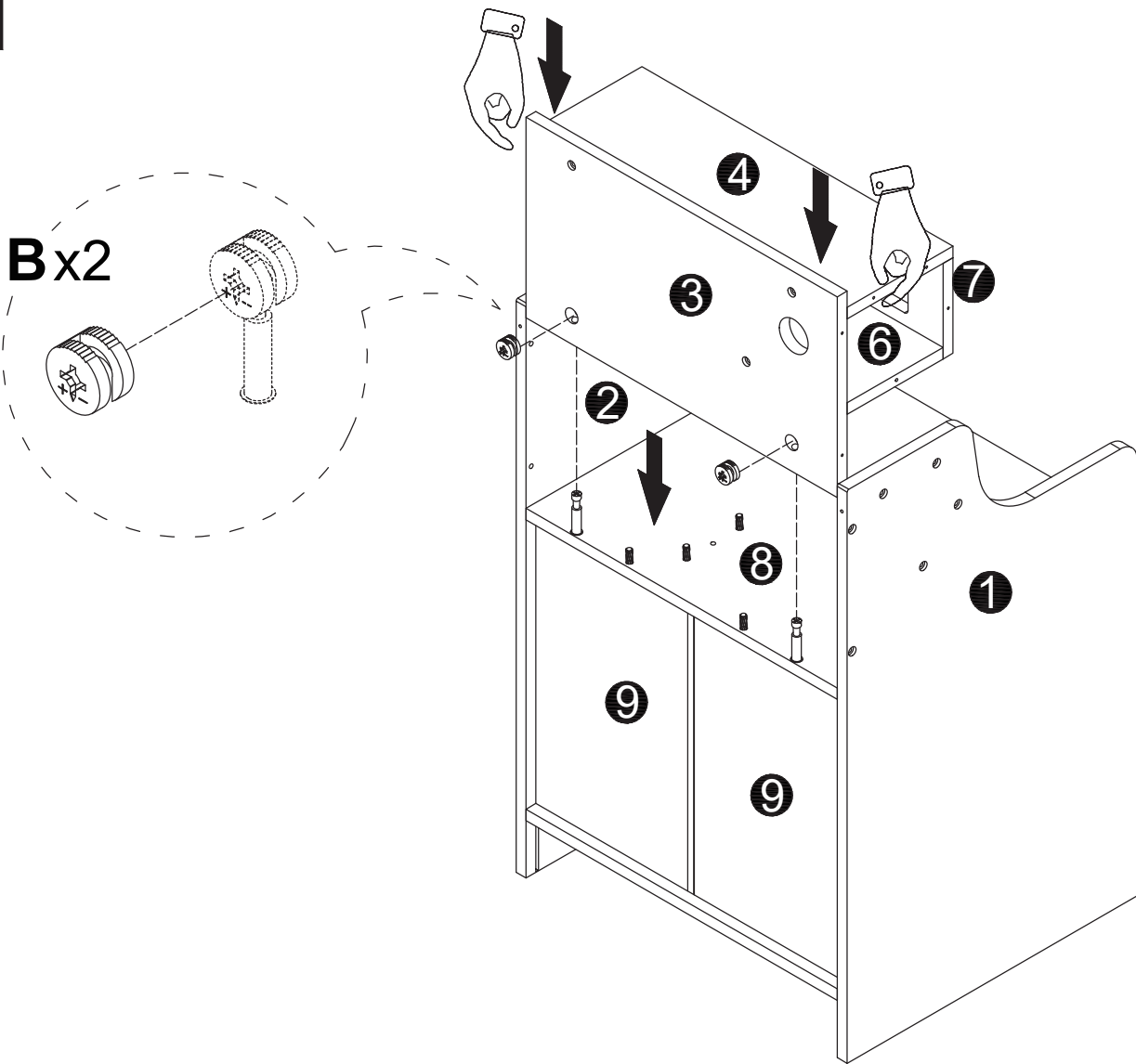
13



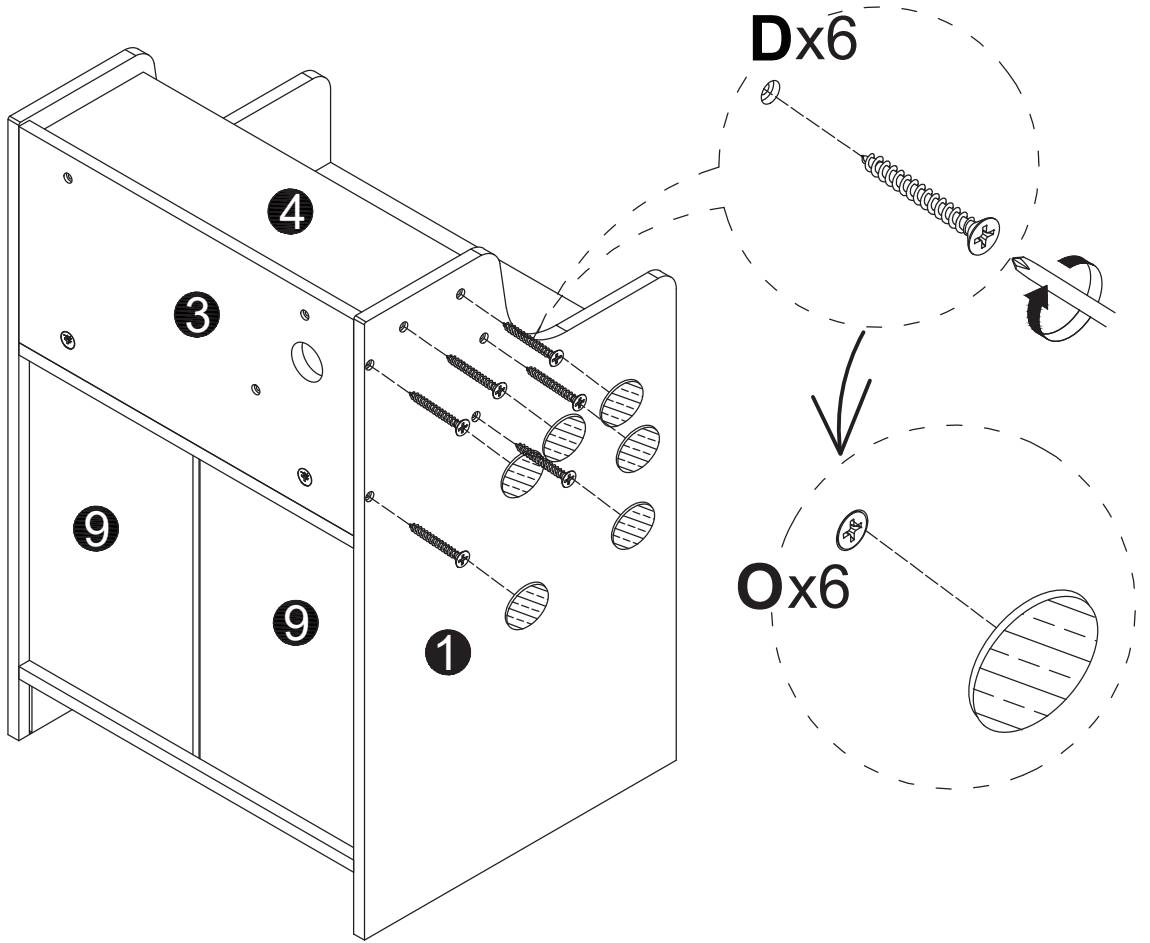
14



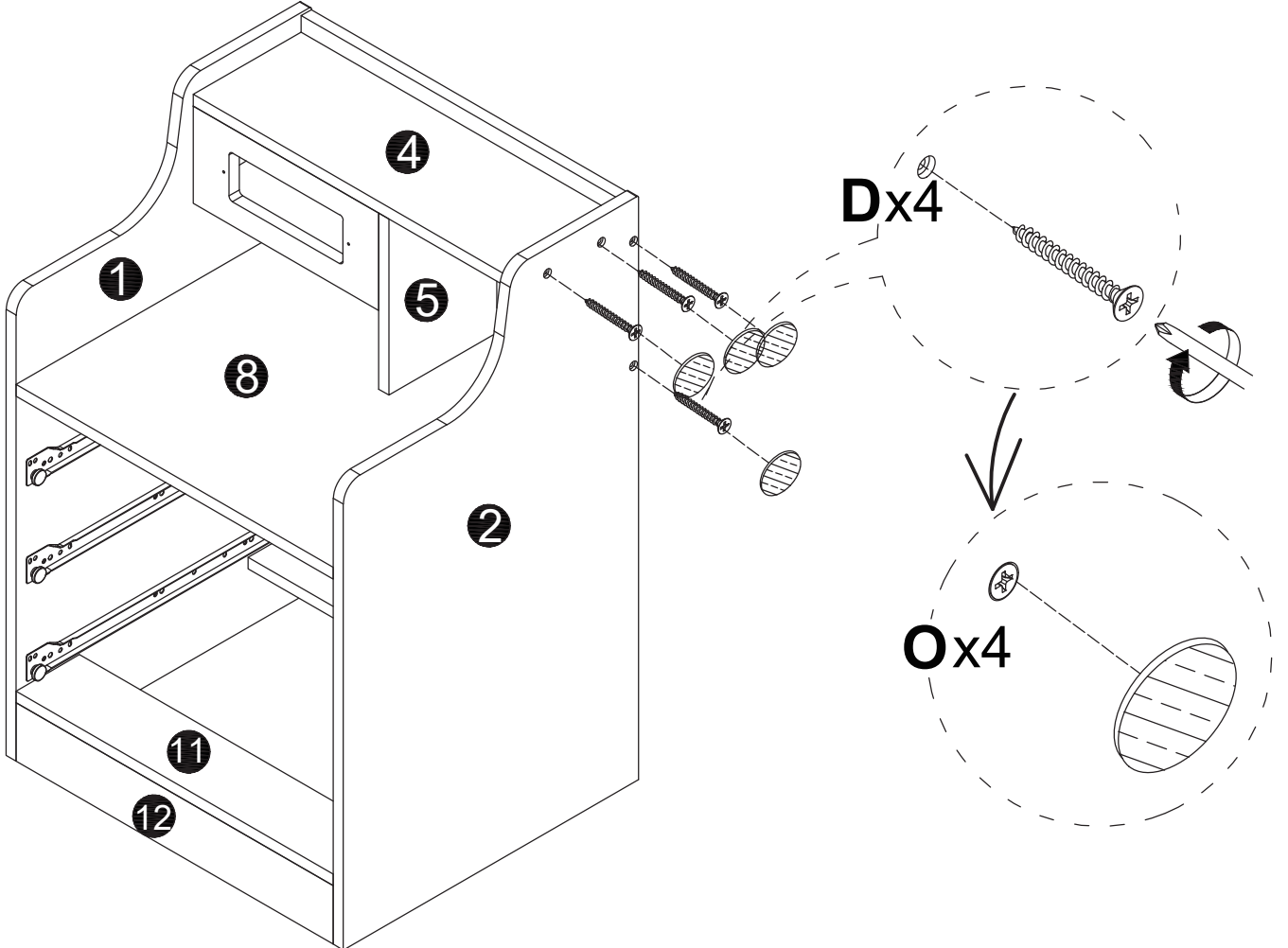
15

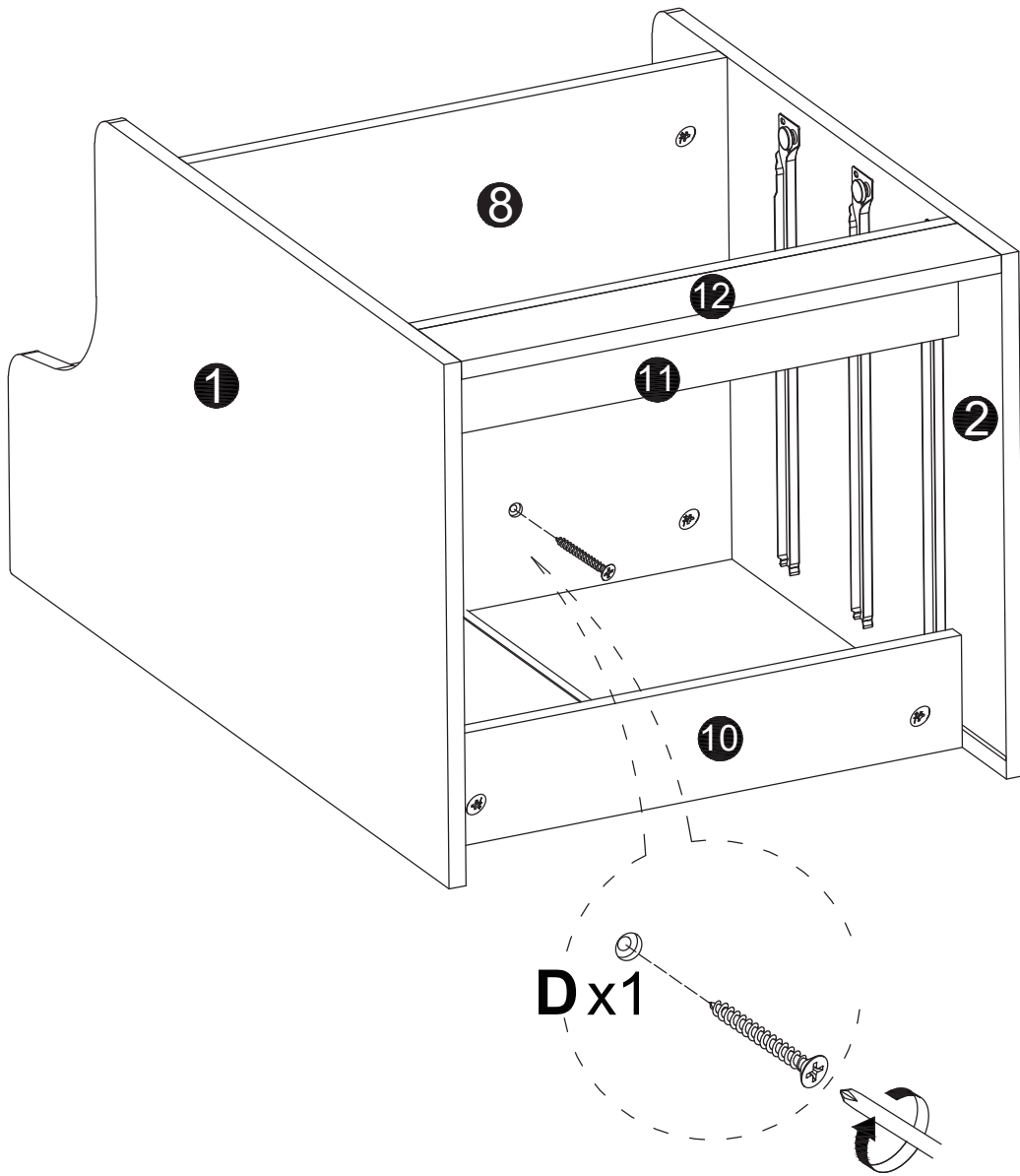


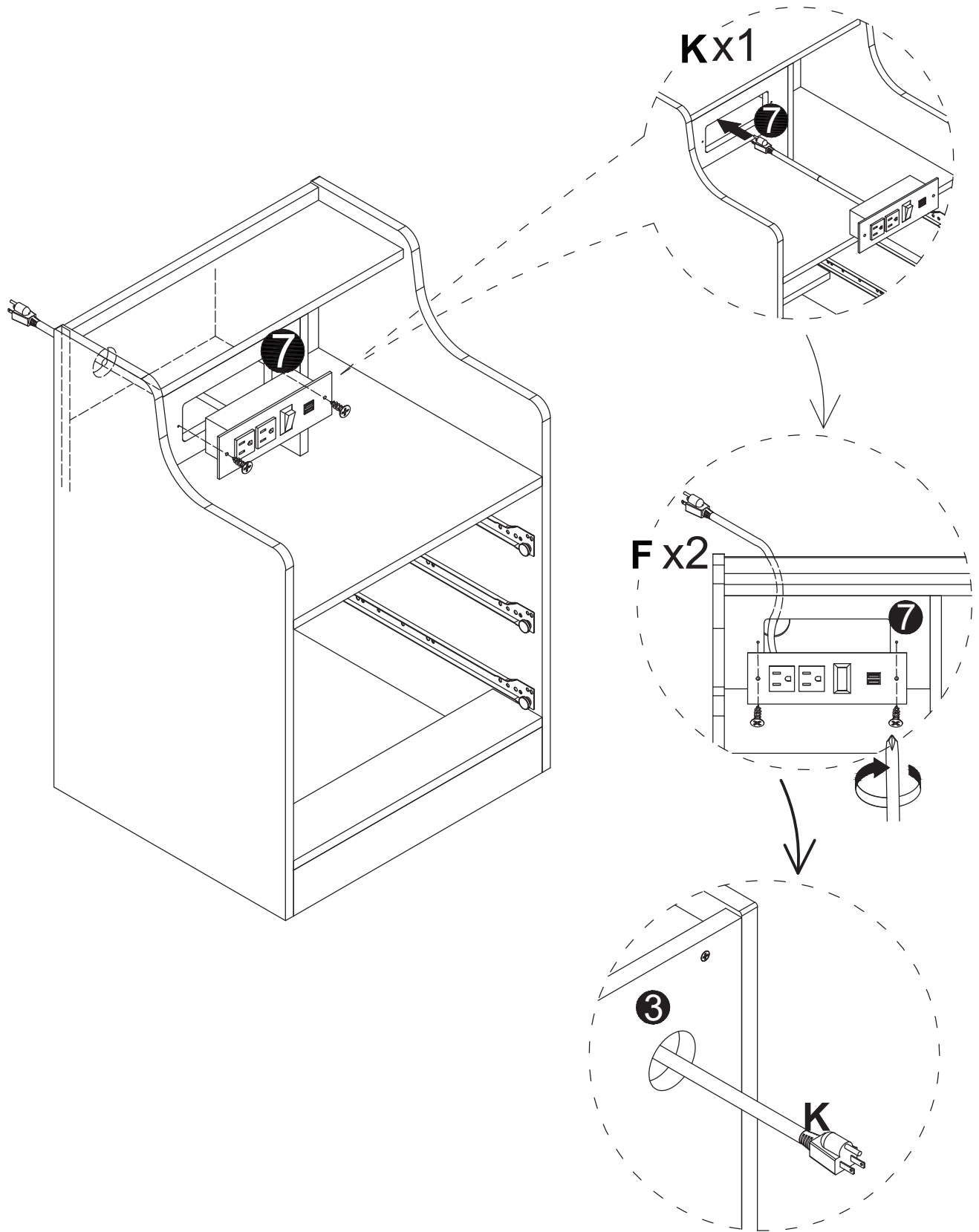
16



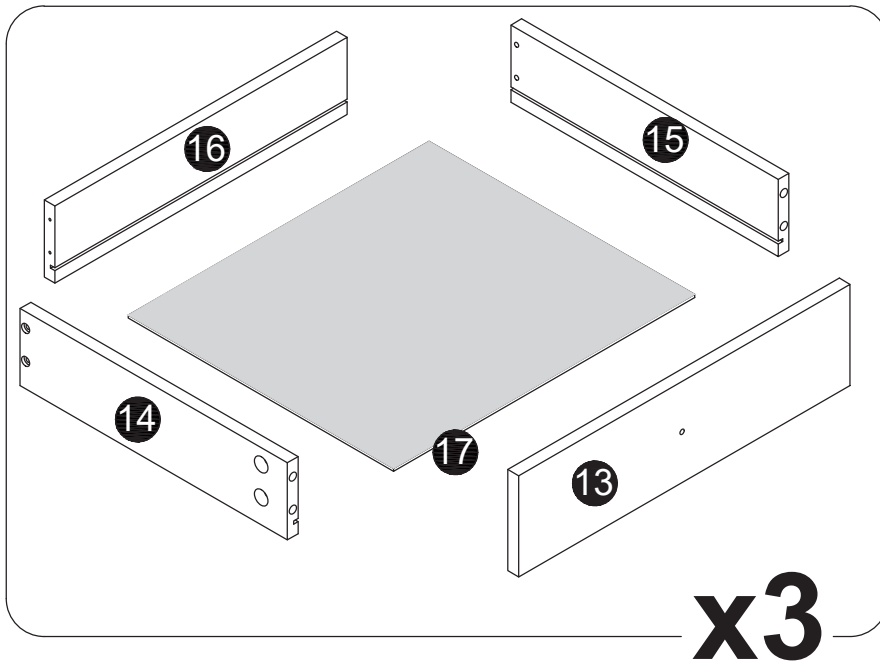
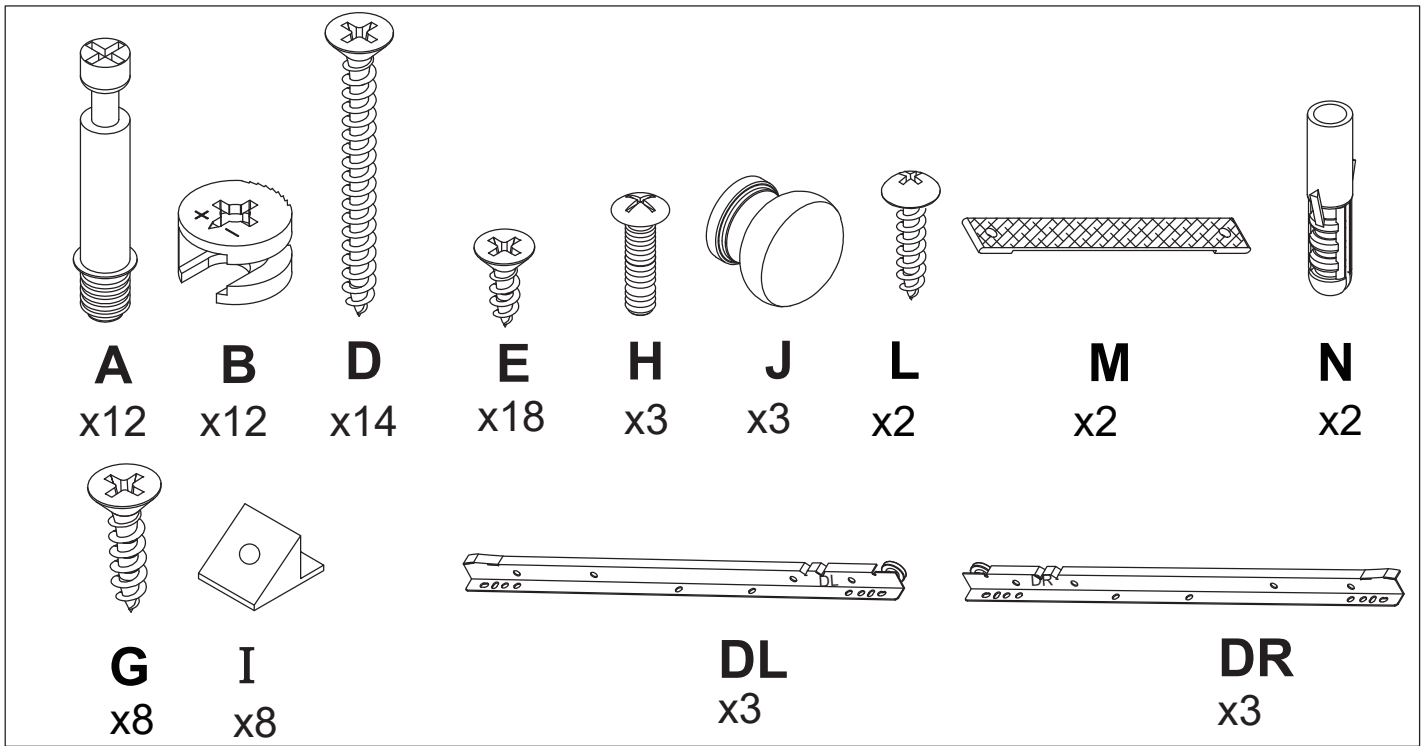
17



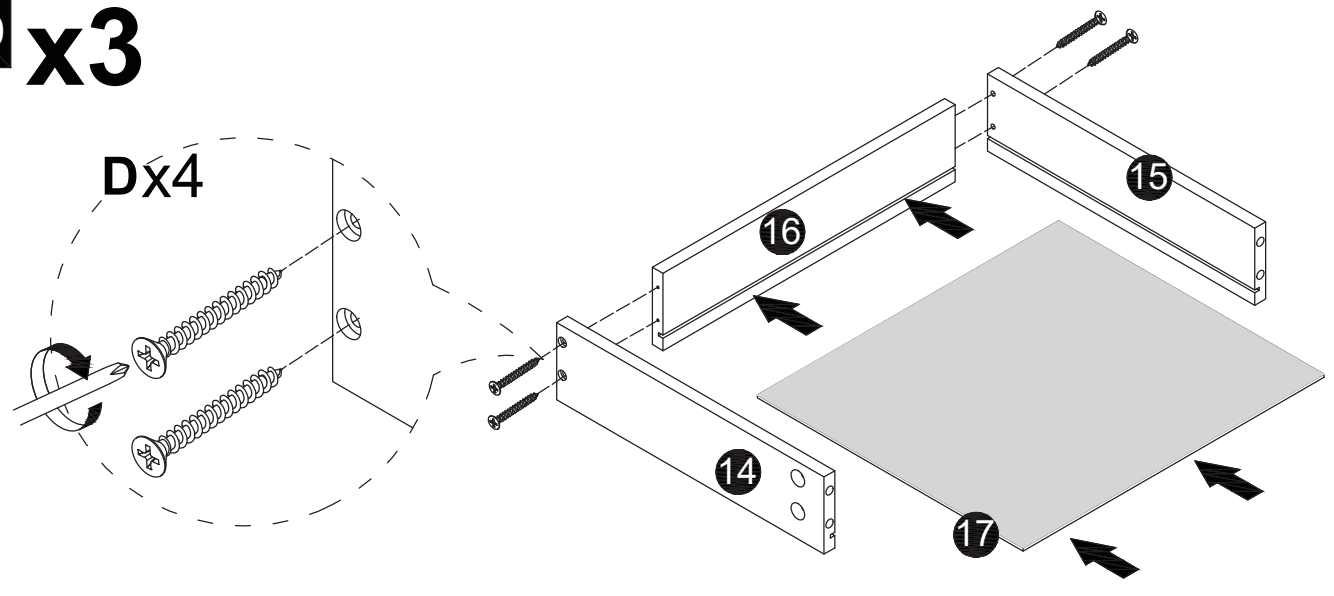




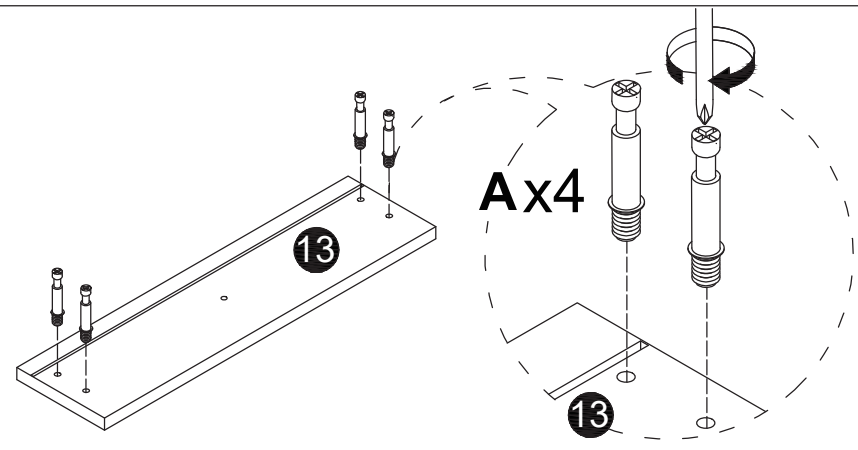
Drawer



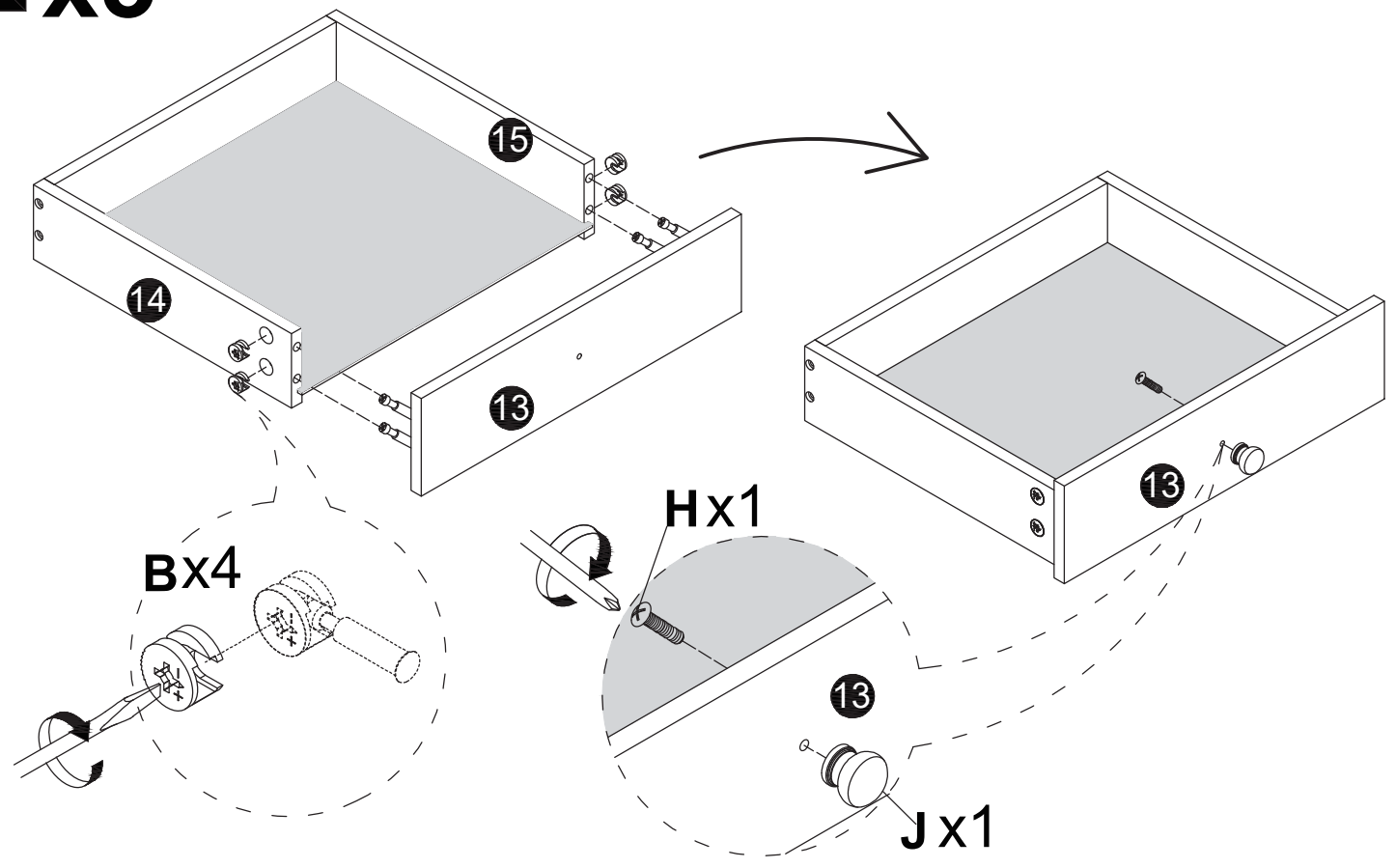
20 x3

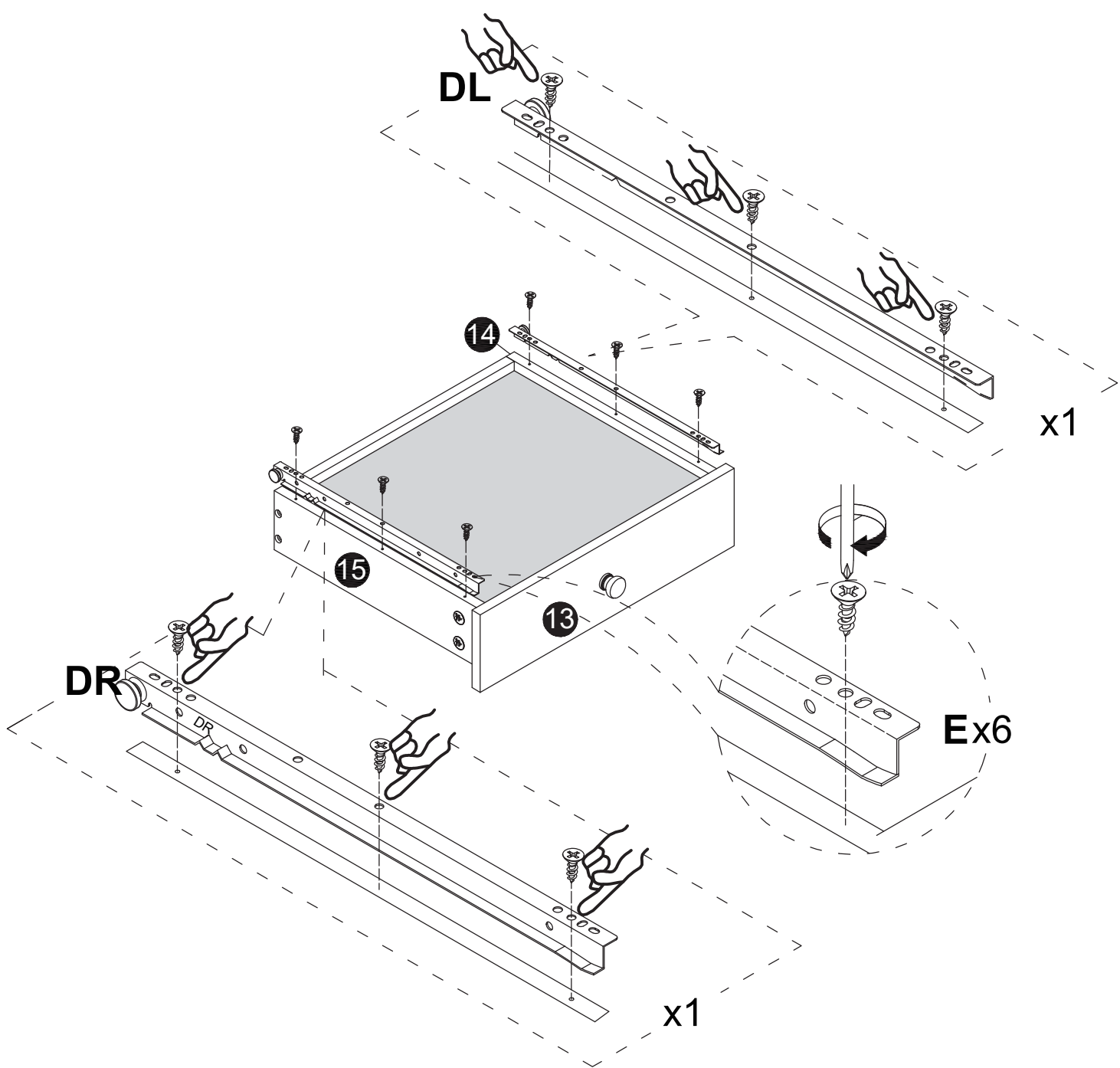


21 x3

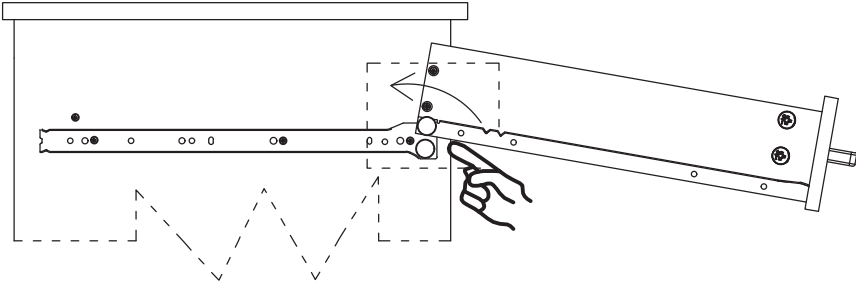


22 x3

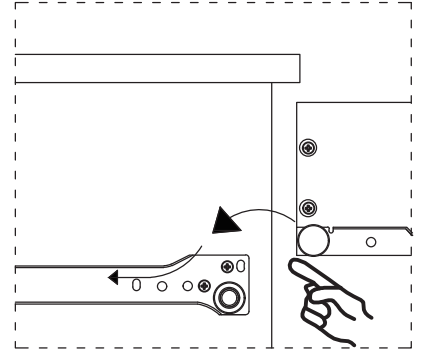
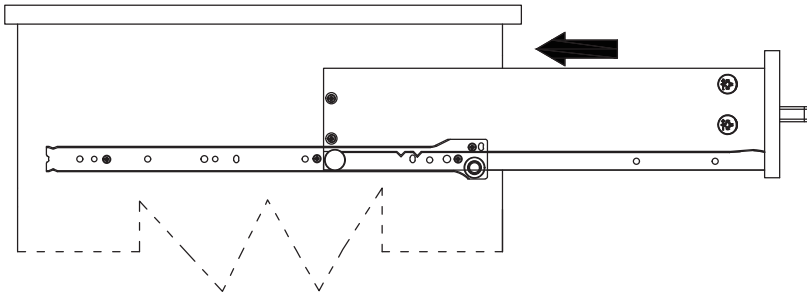




(1)



(2)



x3

