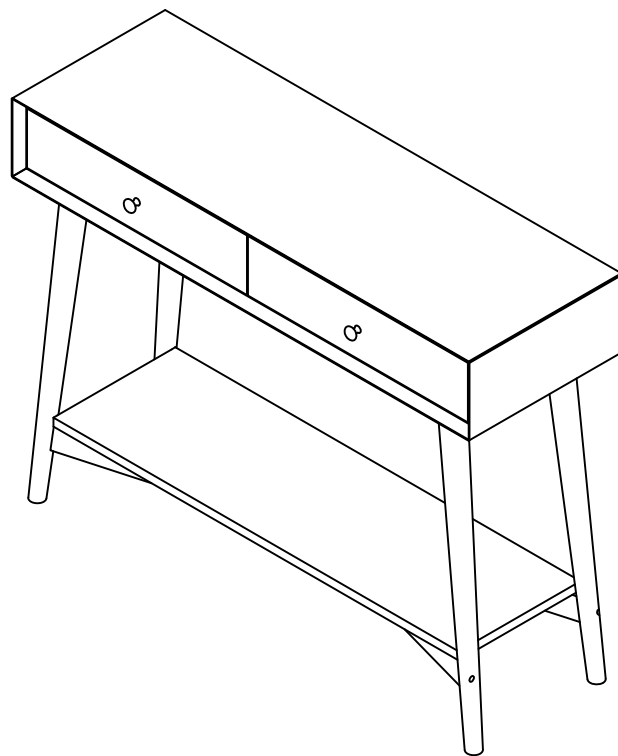
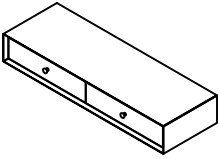
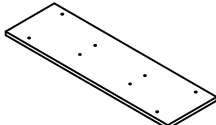
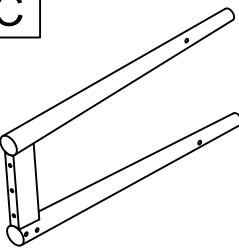
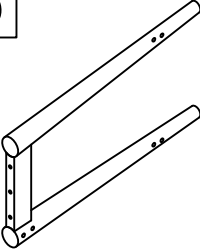
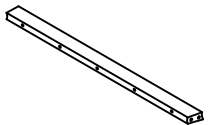
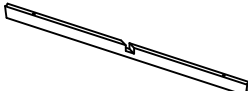
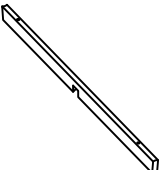



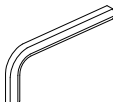


Console Table



PART LIST

				
<p>Top Panel 1 PC</p>	<p>Bottom Panel 1 PC</p>	<p>Left Side Frame 1 PC</p>	<p>Right Side Frame 1 PC</p>	<p>Back Rail 1 PC</p>
				
<p>Front Bottom Rail 1 PC</p>	<p>Back Bottom Rail 1 PC</p>			

HARDWARE LIST

			
<p>#1 M6 x 50 Allen Bolt 20 PCS (Extra 1)</p>	<p>#2 M4 Allen Wrench 1 PC</p>	<p>#3 M8 x 30 Wood Dowel 13 PCS (Extra 1)</p>	<p>#4 Safety Strap Kit 1 PC</p>

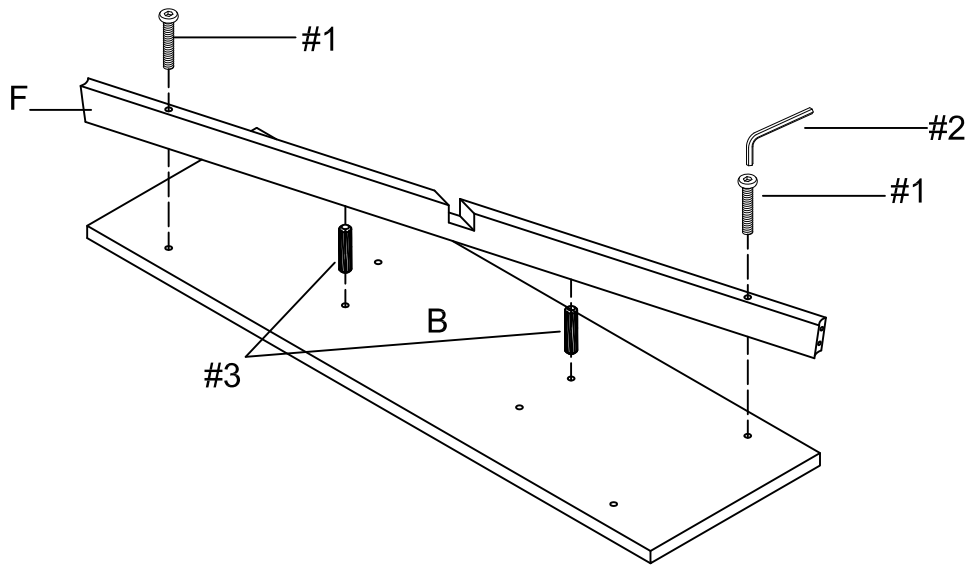
ADDITIONAL TOOLS (Not Provided)




Note: It is not recommended to use power tools during assembly.



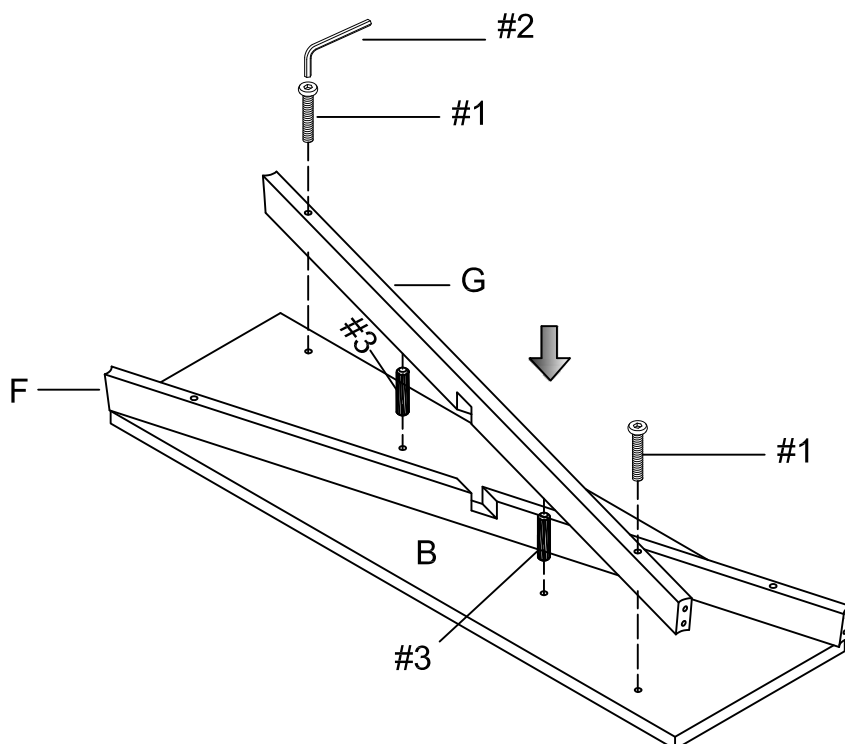
Phillips Head Screwdriver




Step 1. Lay bottom panel (part B) upside down on a soft surface, such as carpet, as shown below. Attach front bottom rail (part F) to bottom panel (part B) using allen bolts (part #1), wood dowels (part #3) and allen wrench (part #2).



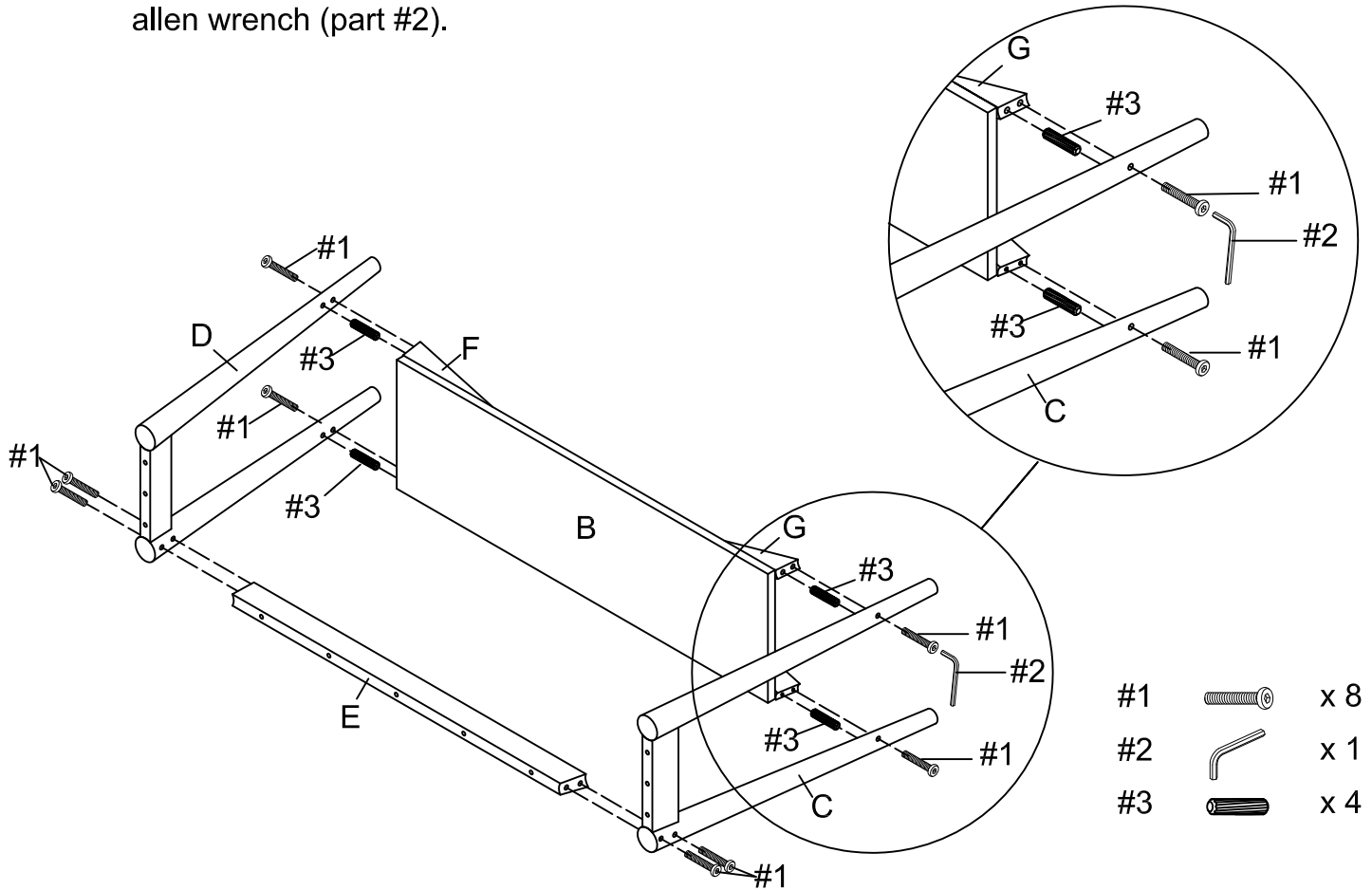
#1		x 2
#2		x 1
#3		x 2

Step 2. Attach back bottom rail (part G) to bottom panel (part B) using allen bolts (part #1), wood dowels (part #3) and allen wrench (part #2).

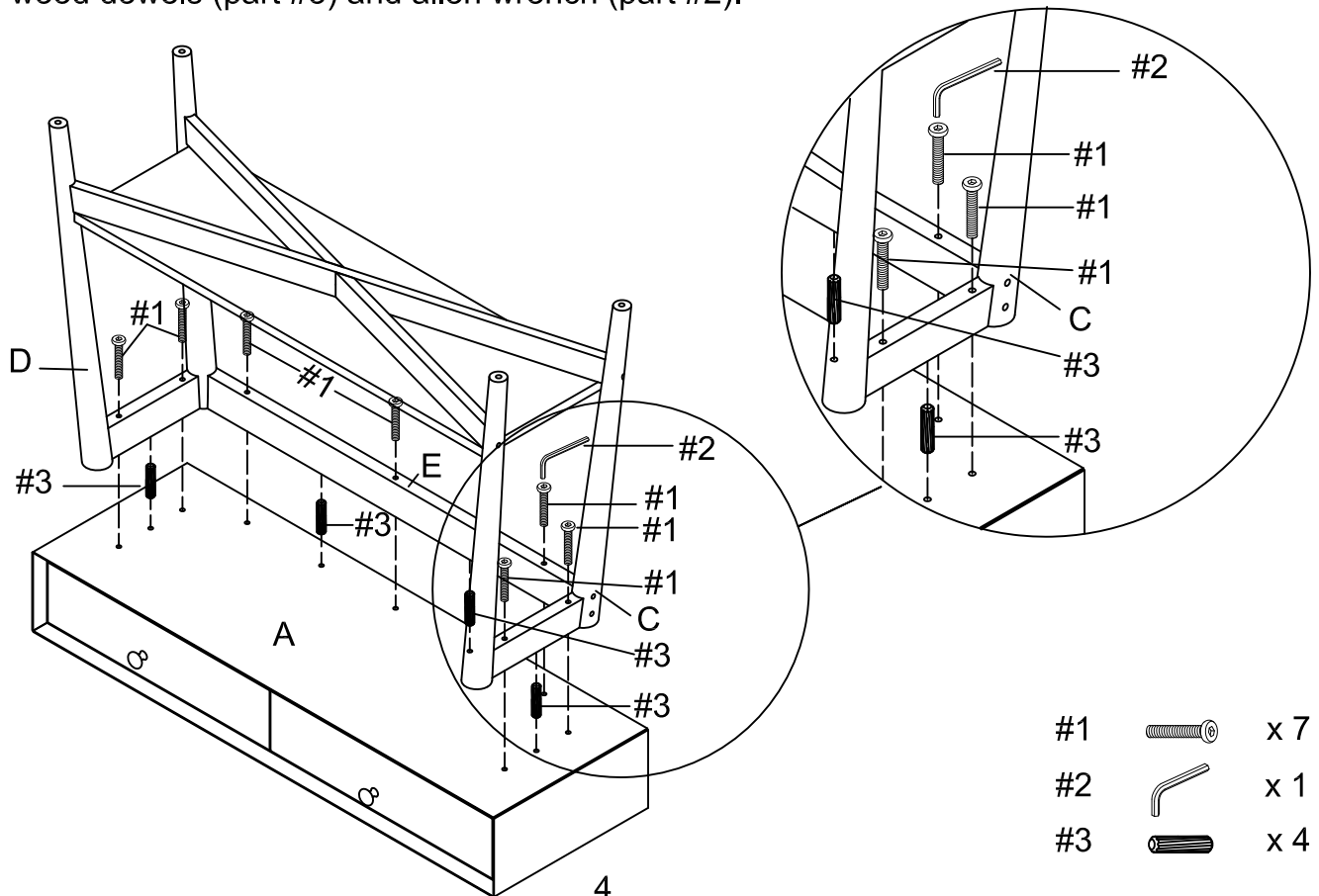


#1		x 2
#2		x 1
#3		x 2

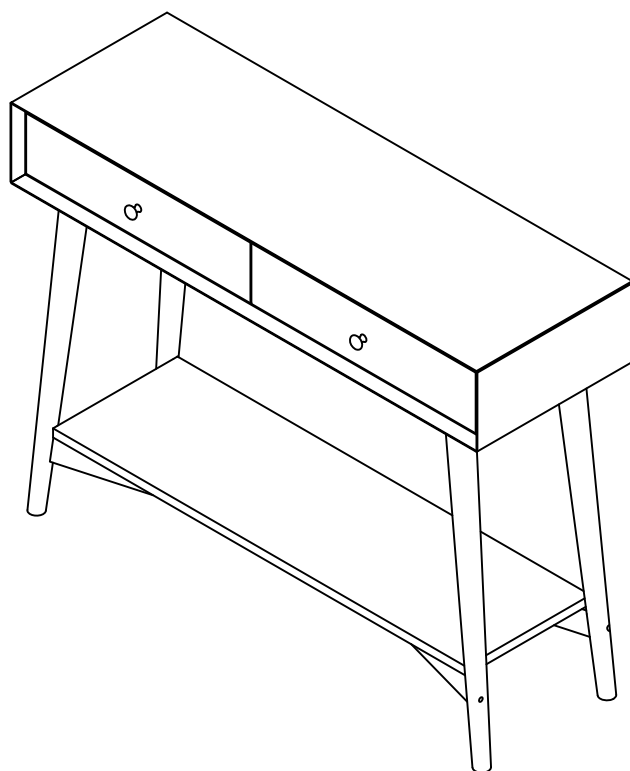
Step 3. Attach assembled unit (parts B, F & G) and back rail (part E) to left side frame (part C) and right side frame (part D) using allen bolts (part #1), wood dowels (part #3) and allen wrench (part #2).


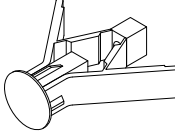

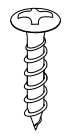

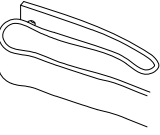


Step 4. Lay top panel (part A) upside down on a soft surface, such as carpet, as shown below. Attach assembled unit (parts C, D & E) to top panel (part A) using allen bolts (part #1), wood dowels (part #3) and allen wrench (part #2).



Step 5. Carefully turn unit upright.



#4	A	B	C	D	E
					
Safety Strap Kit 1 PC	Wall Anchor 1 PC	Washer 2 PCS	Short Screw 1 PC D8 x 3/4"	Long Screw 1 PC D8 x 1-1/2"	Safety Wall Strap 1 PC

SAFETY WALL STRAP INSTALLATION

Note: It is highly recommended to install this safety strap kit to prevent tipping, damage and/or injury.

1. Insert short screw (C) through washer (B) and safety wall strap (E) and attach to back of top panel (part A) using phillips head screwdriver.
2. Drill a 11/32"(6mm) hole where you want to secure the unit. The drilled hole will be at the same height as the hole in back of top panel (part A) where safety wall strap (E) is attached. Tap wall anchor (A) into the hole.
3. Insert long screw (D) through washer (B) and safety wall strap (E) into wall anchor (A) using a phillips head screwdriver.

